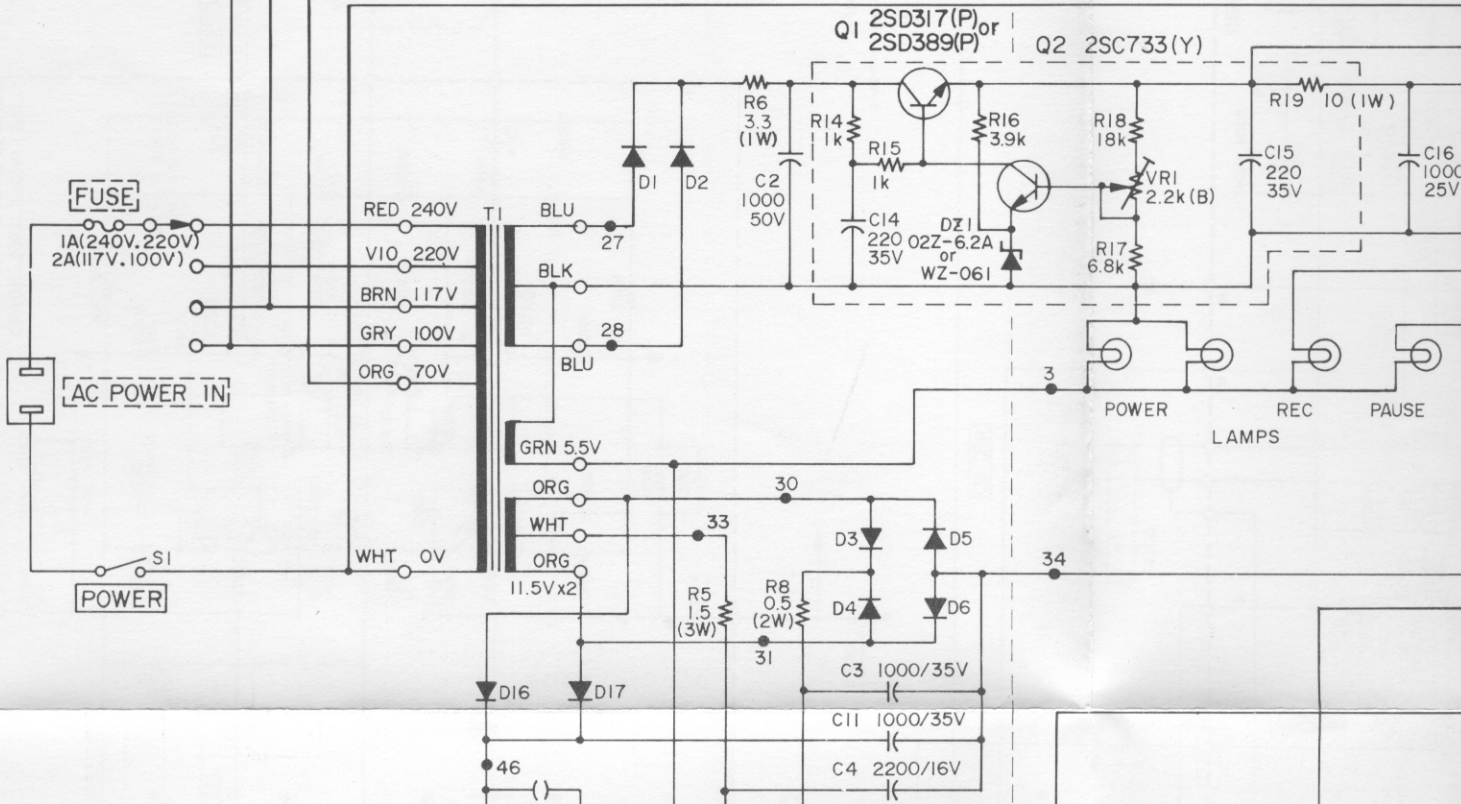
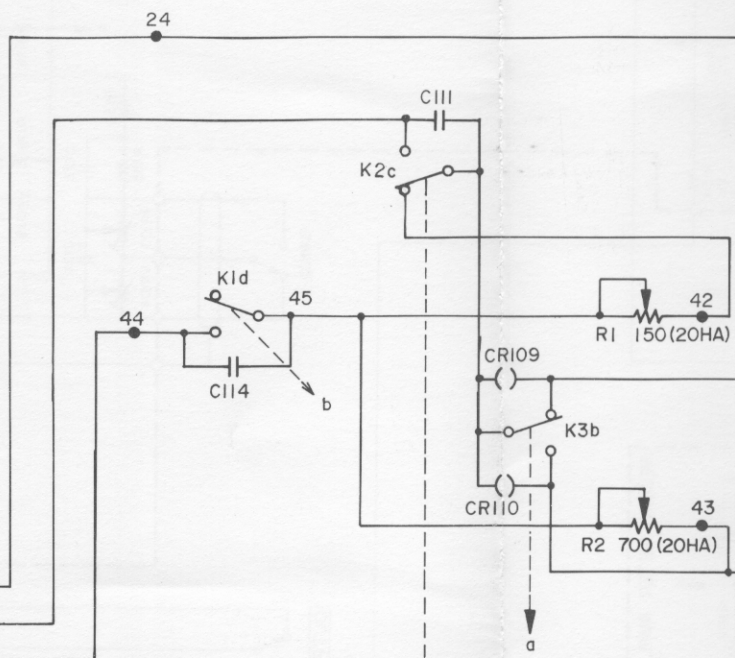
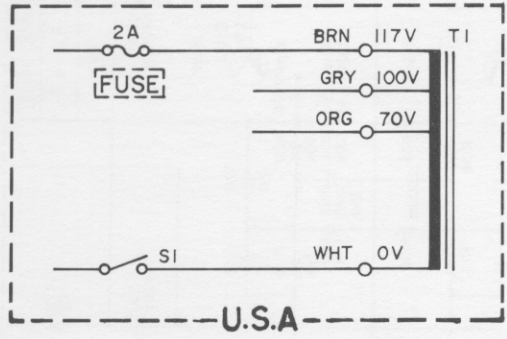
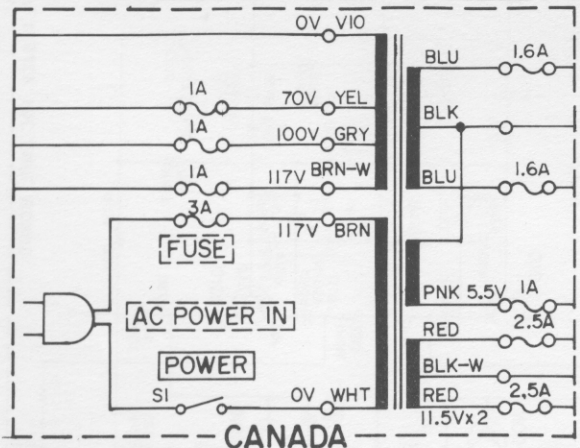
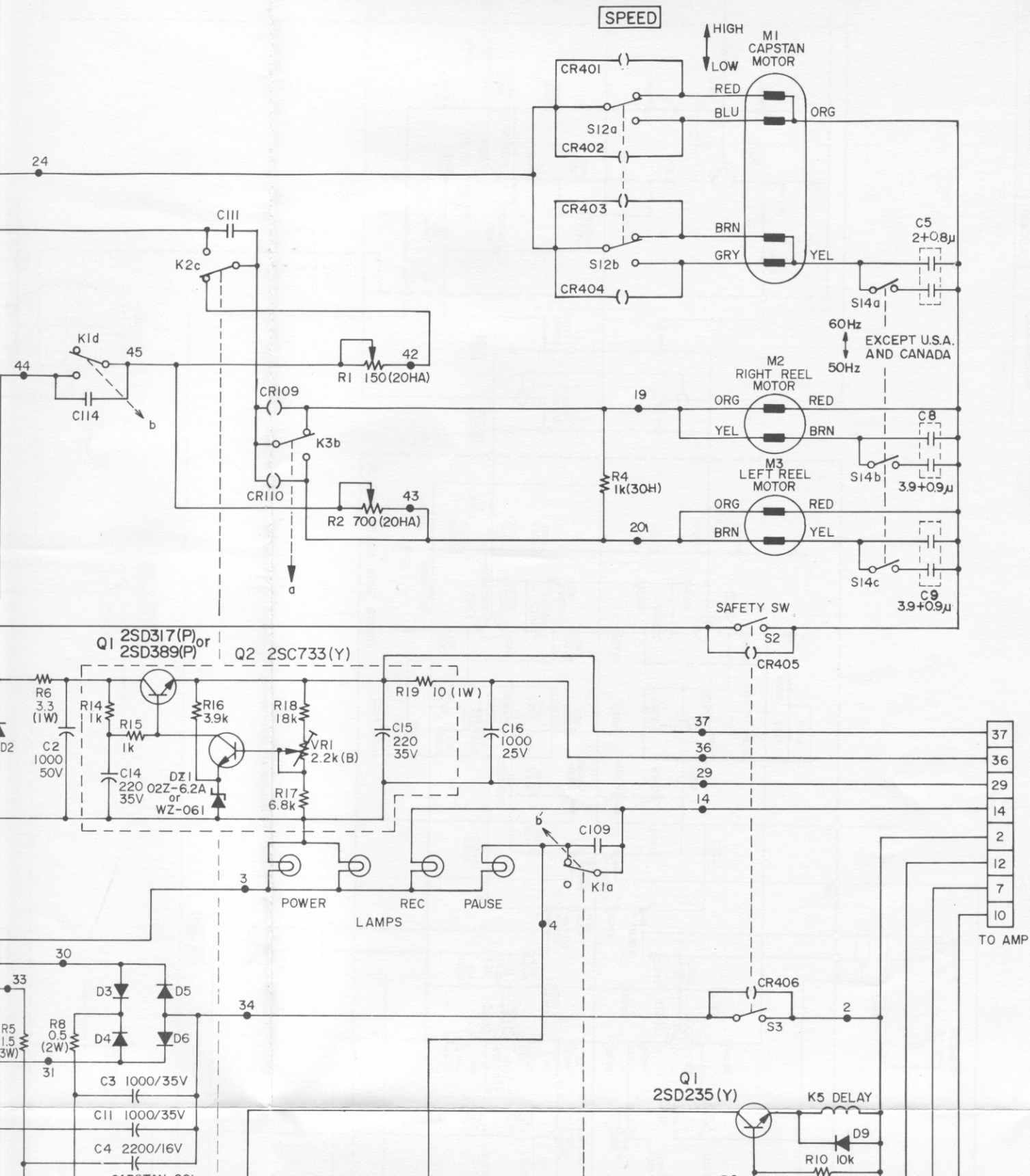
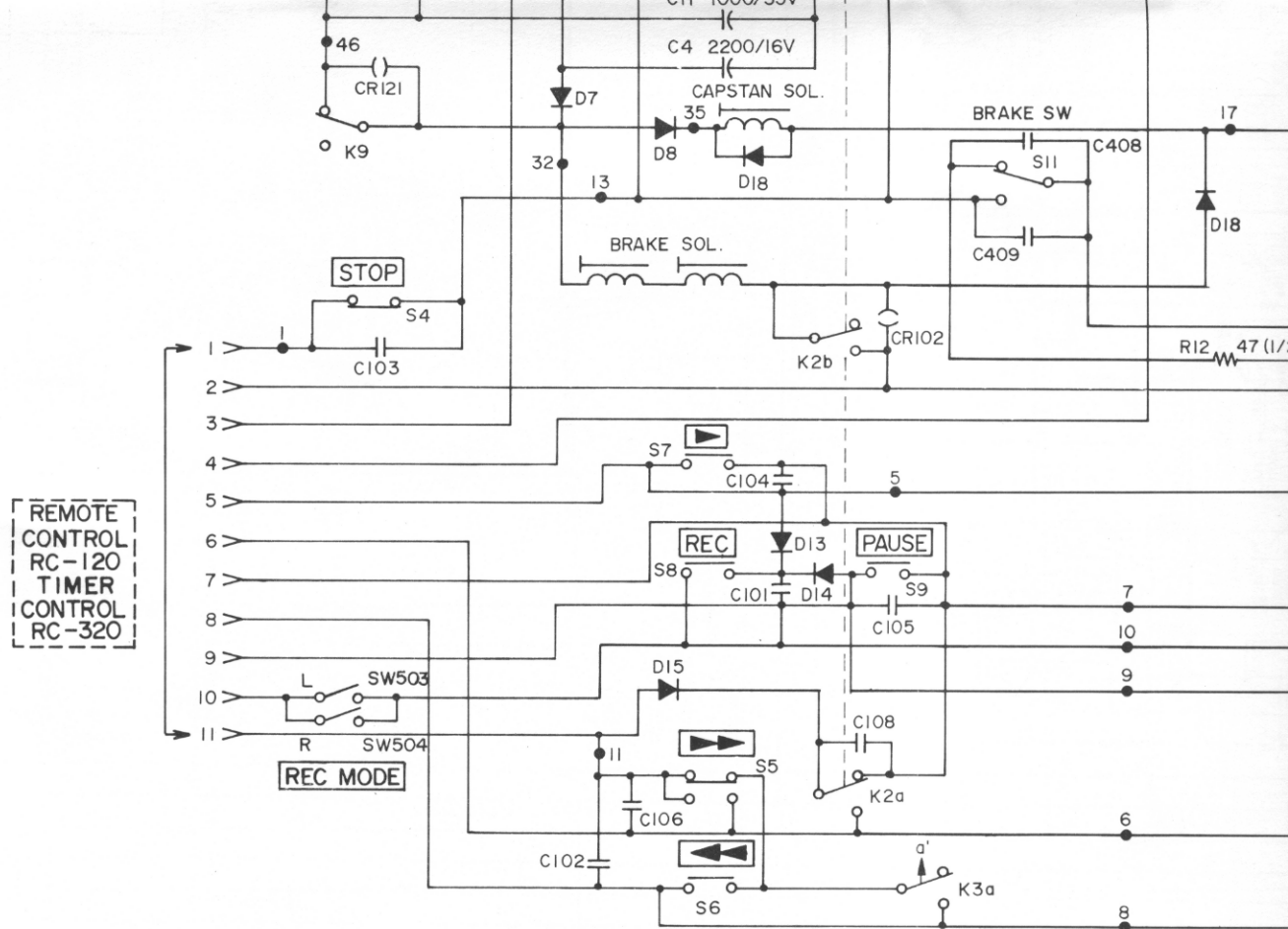




For more Hi-Fi manuals and set-up information  
please visit [www.hifiengine.com](http://www.hifiengine.com)







#### NOTES

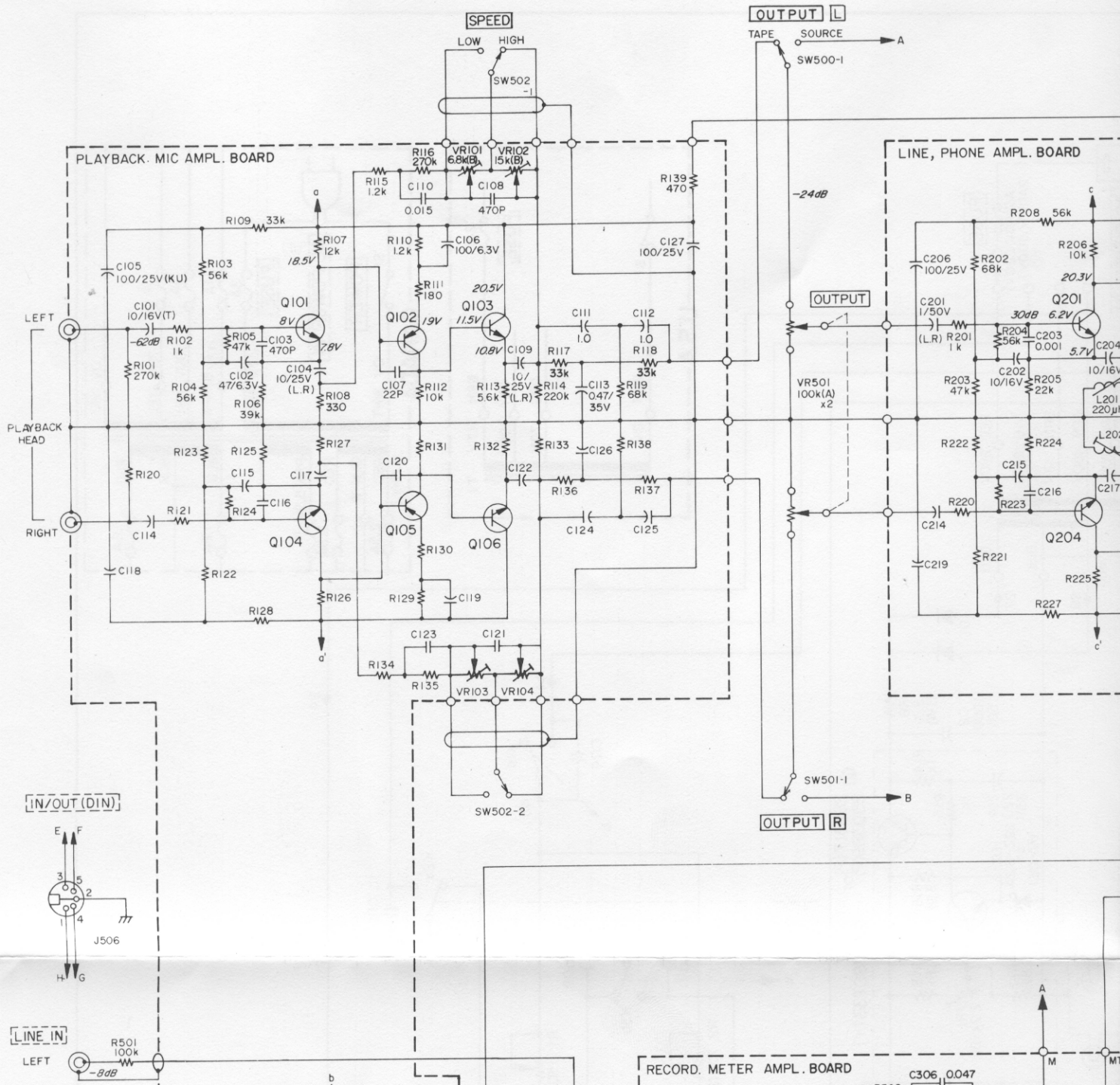
- ON FRONT PANEL
- ON REAR PANEL
- ( )— : SPARK KILLER 0.1 $\mu$ F + 120 $\Omega$  / 400WV
- |— : 0.1 $\mu$ F/400WV
- : BOARD NO.
- D1~D6, D9~D14, D16, D17 : S1B01-02
- D7, D8 : S1B01-06

#### NOTES

1. ALL RESISTORS ARE 1/4 WATT, 5%, UNLESS MARKED OTHERWISE. RESISTOR VALUES ARE IN OHMS (k=1,000 OHMS, M=1,000,000 OHMS).
2. ALL CAPACITOR VALUES ARE IN MICROFARADS ( $\mu$ =MICROFARADS).







OUTPUT L

TAPE SOURCE  
SW500-1

OUTPUT

J504 a

E  
-8dB

C

LINE, PHONE AMPL. BOARD

-24dB

OUTPUT

VR501  
100k(A)  
x2

PHONES

J505

OUTPUT R

SW501-1

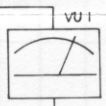
J504 b

REC EQ

SPEED

OUTPUT

TAPE SOURCE  
SW500-2



AMPL. BOARD

C306 0.047

A

M

MT

1 2

SW506-1

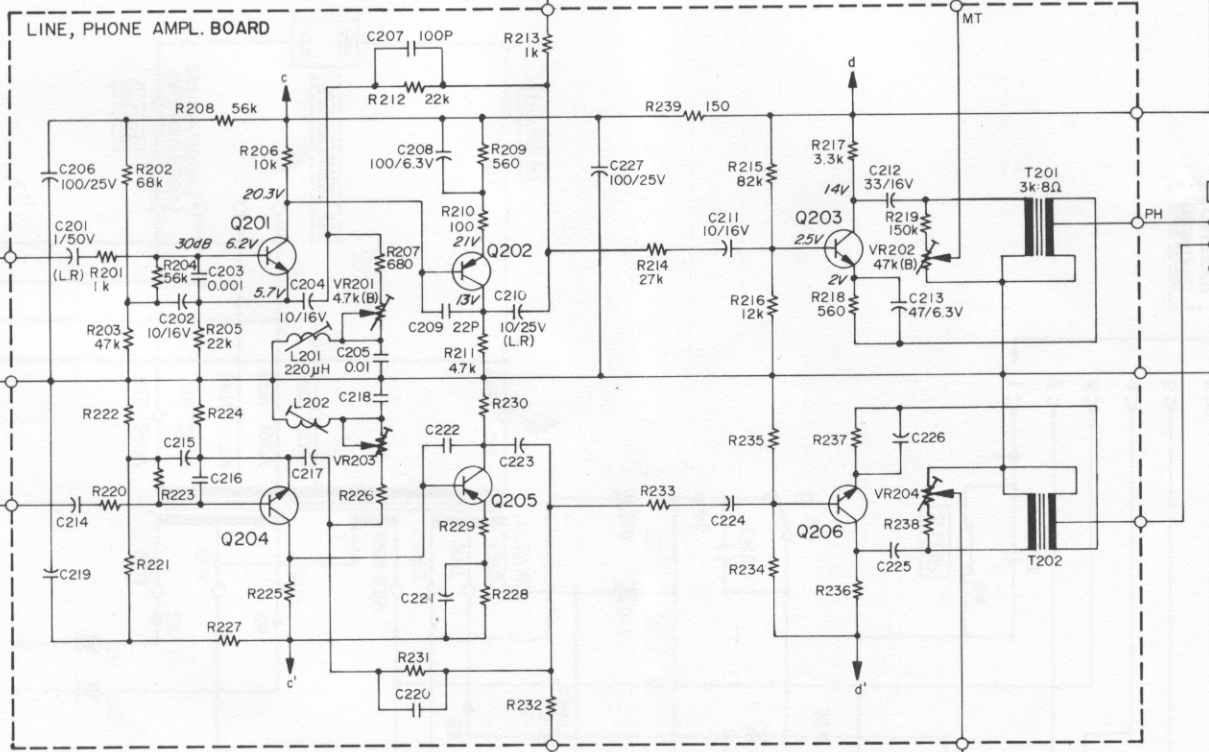
C501  
0.0047

C

L H

SW502-3

R328



1 2

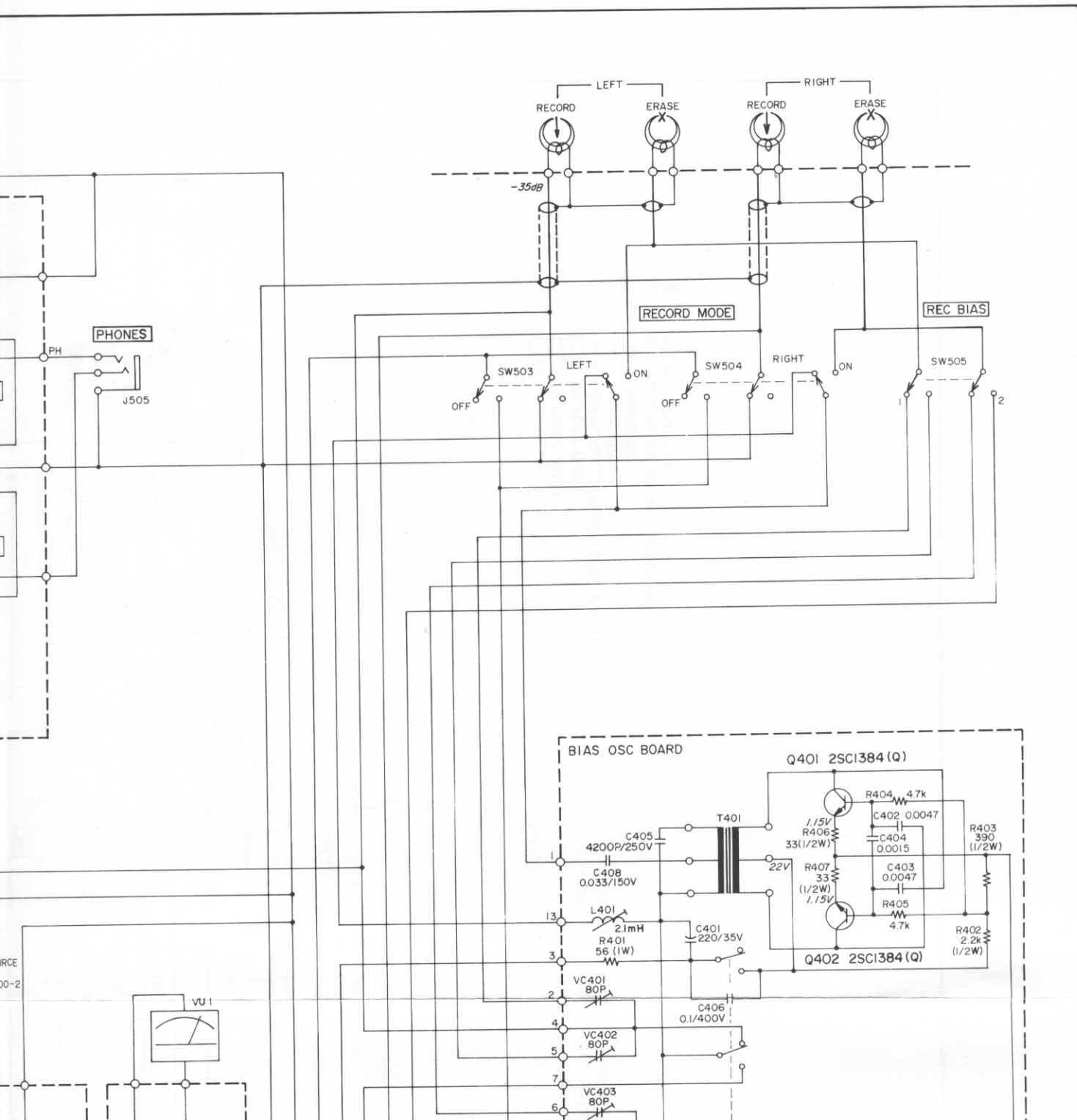
SW506-1

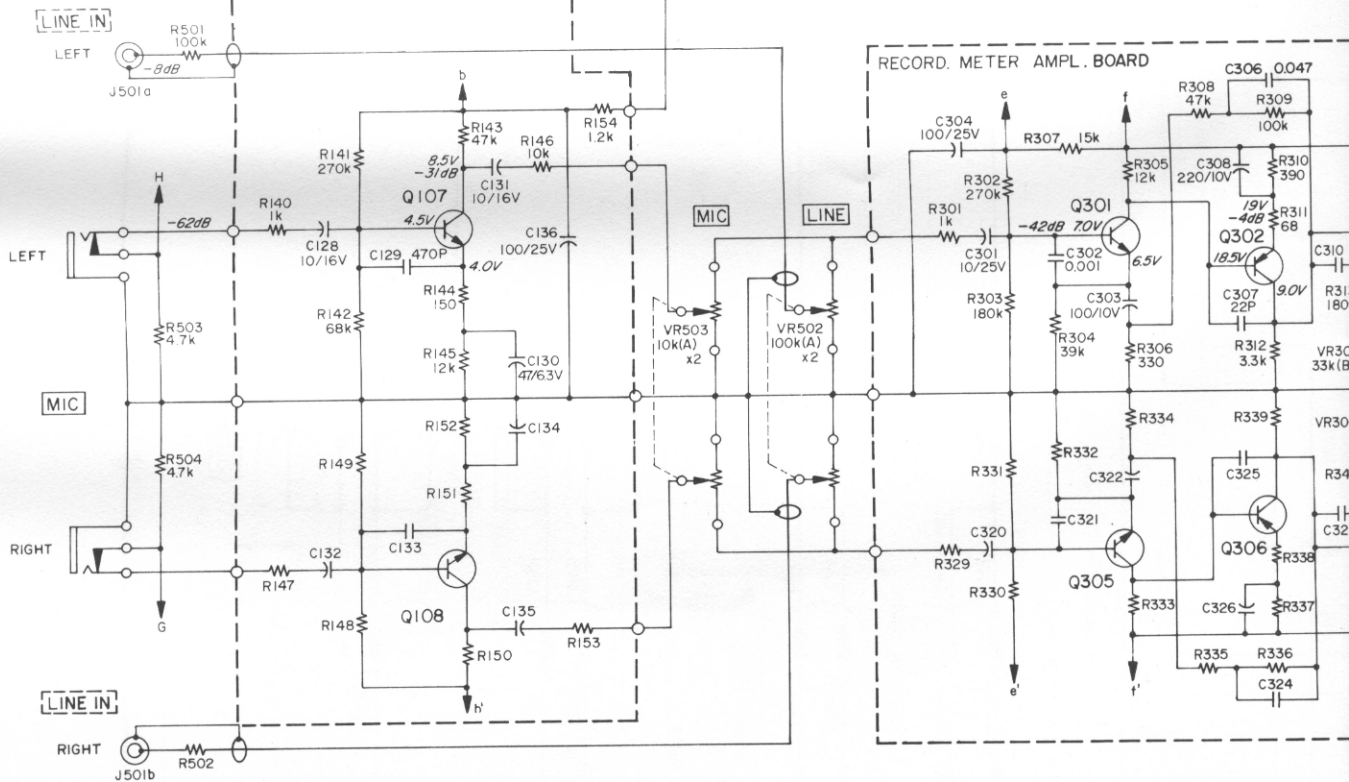
C501  
0.0047

L H

SW502-3

R328

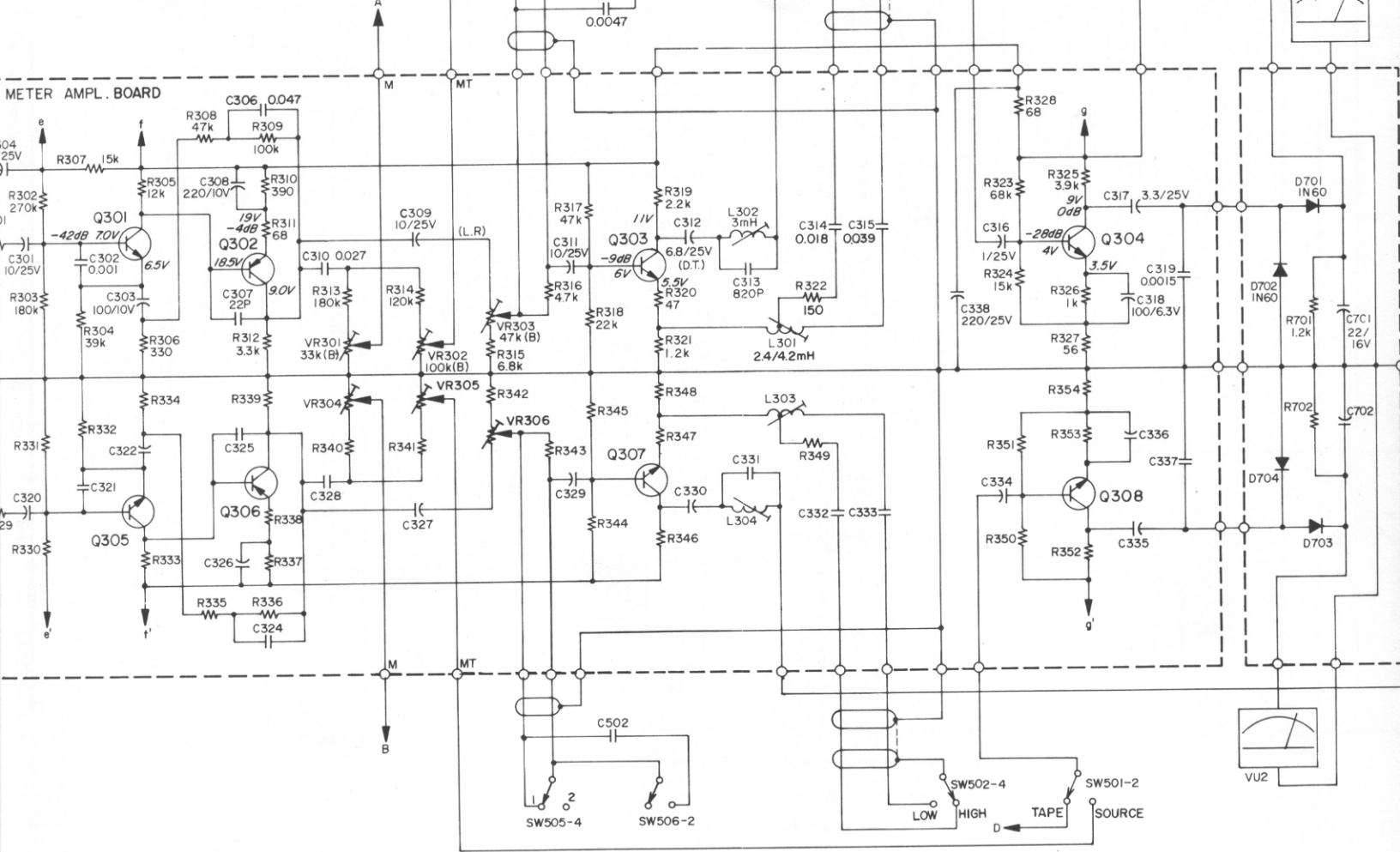


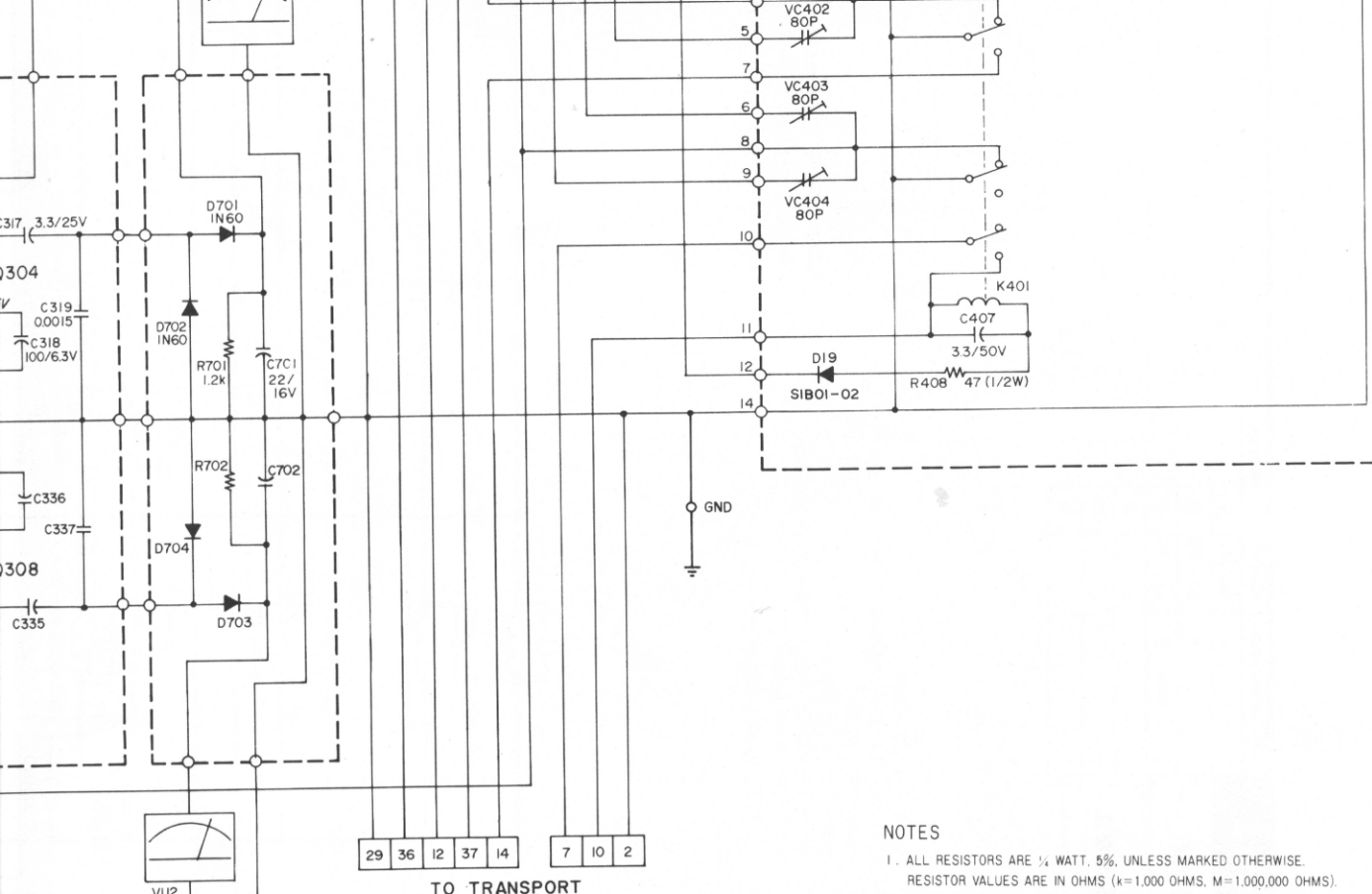


CIRCUIT REF. NO.	DESCRIPTION	CIRCUIT REF. NO.	DESCRIPTION
Q101/Q104	2SC1000(BL) 2SC1345 (E)	Q301/Q305	2SC693(G) 2SC900(E)
Q102/Q105	2SA494 (Y) 2SA750 (E)	Q302/Q306	2SA494 (Y) 2SA750 (E)
Q103/Q106	2SC828 (S) 2SC536 (G)	Q303/Q307	2SC828 (S) 2SC945L (K)
Q107/Q108	2SC1000(BL) 2SC1345 (E)	Q304/Q308	2SC828 (S) 2SC536 (G)
Q201/Q204	2SC693 (G) 2SC900 (E)		
Q202/Q205	2SA564 (R) 2SA750 (E)		
Q203/Q206	2SC536(F) or (G)		



METER AMPL. BOARD





**NOTES**

1. ALL RESISTORS ARE 1/4 WATT, 5%, UNLESS MARKED OTHERWISE. RESISTOR VALUES ARE IN OHMS (k=1,000 OHMS, M=1,000,000 OHMS).
2. ALL CAPACITOR VALUES ARE IN MICROFARADS (p=PICOFARADS).
3. DC VOLTAGES WERE MEASURED DURING RECORD PAUSE MODE.
4. SIGNAL LEVELS (dB) WERE MEASURED WITH INPUT AND OUTPUT CONTROLS AT SPECIFIED POSITION.
5. READING IN dB REFERENCED TO 0dB=0.775V.

S-109

6			<b>PREAMPLIFIER</b> MODEL NO. <b>A-2300SX</b> SHEET NO.
5			
4			
3			
2	12-76	E-995	
1	06-76		
<b>REVISION</b>	<b>DATE</b>	<b>CHANGE NO.</b>	<b>TEAC CORPORATION</b>