

# TEAC®

# A-2300S A-3300S

STEREO TAPE DECKS  
**PARTS LIST**

## FIRST REVISED EDITION

### REPLACEMENT INFORMATION

Replacement parts are available through your nearest TEAC Authorized Service Center or directly from the TEAC office.

Changes are constantly being made to make TEAC products better and more reliable. Therefore, when ordering parts, always include the following information:

<i>MODEL</i>	<i>SERIAL NO.</i>	<i>REF.NO.</i>	<i>PARTS NO.</i>	<i>DESCRIPTION</i>
--------------	-------------------	----------------	------------------	--------------------

### PARTS IDENTIFICATION CODING

Parts are identical between the different models with the exceptions as coded by the designations explained below.

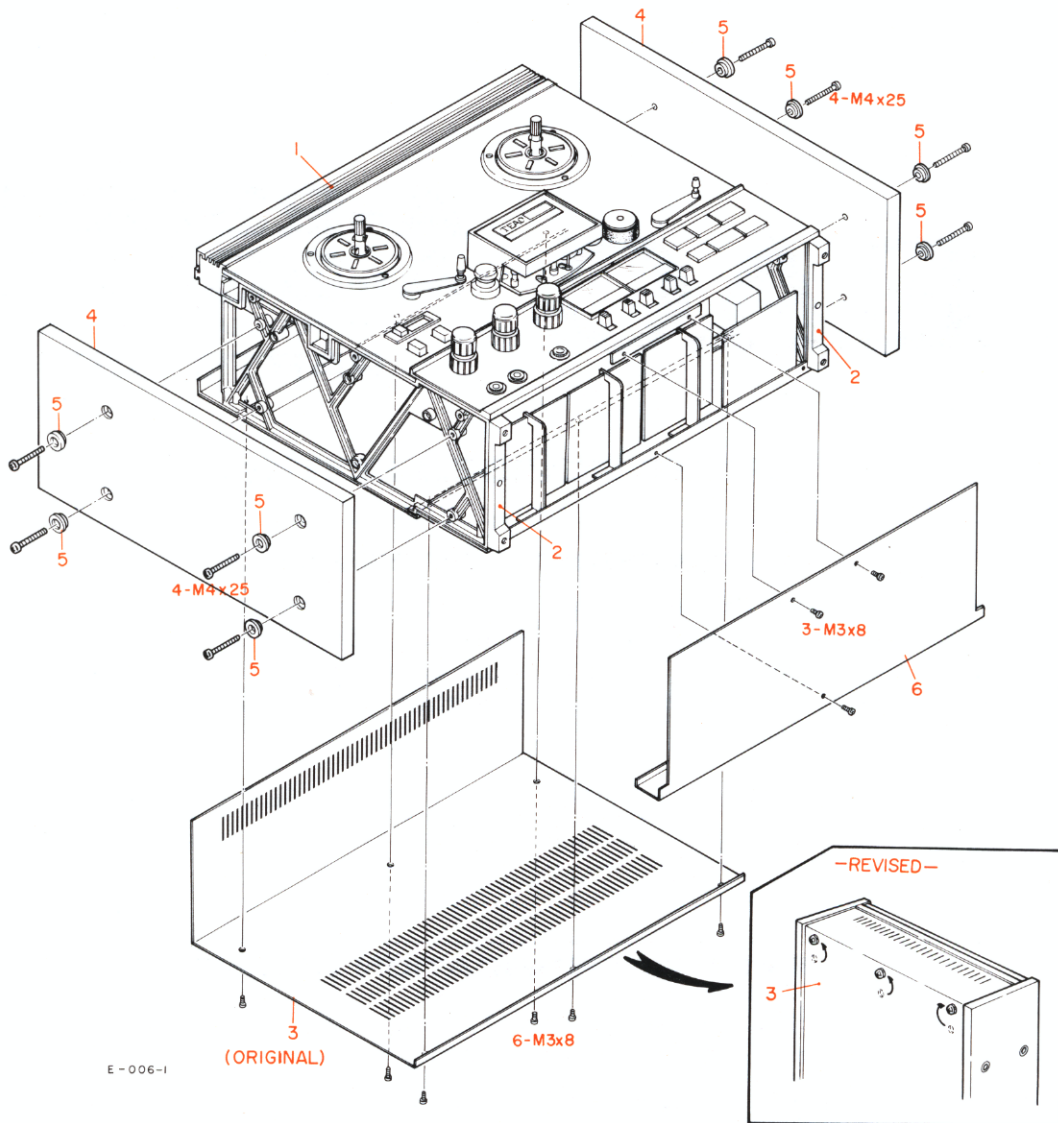
<i>A-2300S</i>	For all markets, 2300S and A-2300S only, 4 track or 2T. Written in italics.
<i>A-3300S</i>	For all markets, 3300S and A-3300S only, 4 track or 2T. Written in italics.
DM	Only for domestic (Japan) market decks.
TCA	For TEAC Corporation of America (US) decks.
4T	For decks with the 4 track head configuration (standard).
2T	For decks with the 2 track head configuration. (These decks have 2T included in the nomenclature, i.e., <i>A-2300S-2T</i> ).

Effective : June, 1974  
Latest Revision No.: E-670

## TEAC CORPORATION

51030871

# 1. TRIM PARTS A-2300S



E-006-1

(ORIGINAL)

6-M3x8

-REVISED-

The location of the top cover mounting screws have been changed as indicated.

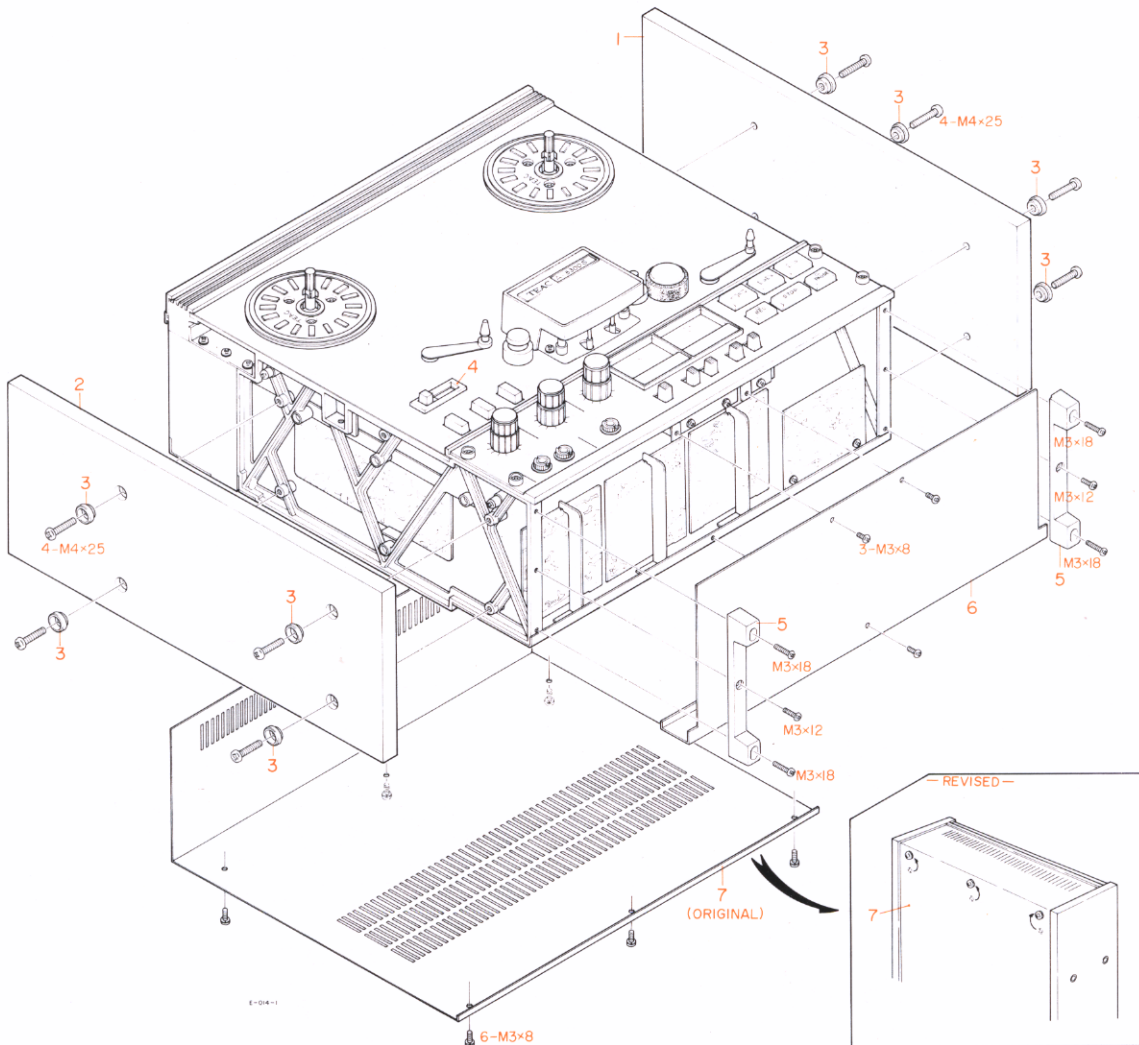
## PARTS LIST-1

From SER. NO. 19131 to Present

REF. ORIGINAL NO.	PARTS NO.	DESCRIPTION	REVISION
1-1	50112980	Grille Assy, Top	
1-2	50277980	Leg, Case	
1-3	50288291	Cover Assy, Rear	*50288292
1-4	50288331	Wooden Plate	
1-5	50276930	Washer, Trim	
1-6	50288641	Cover Assy, Bottom	**55003580

\* Original and Later Rear Cover Assy are not interchangeable.  
 \*\* Original and Later Bottom Cover Assy are interchangeable.

## 2. TRIM PARTS A-3300S



The location of the top cover mounting screws have been changed as indicated.

From SER. NO.                      to Present

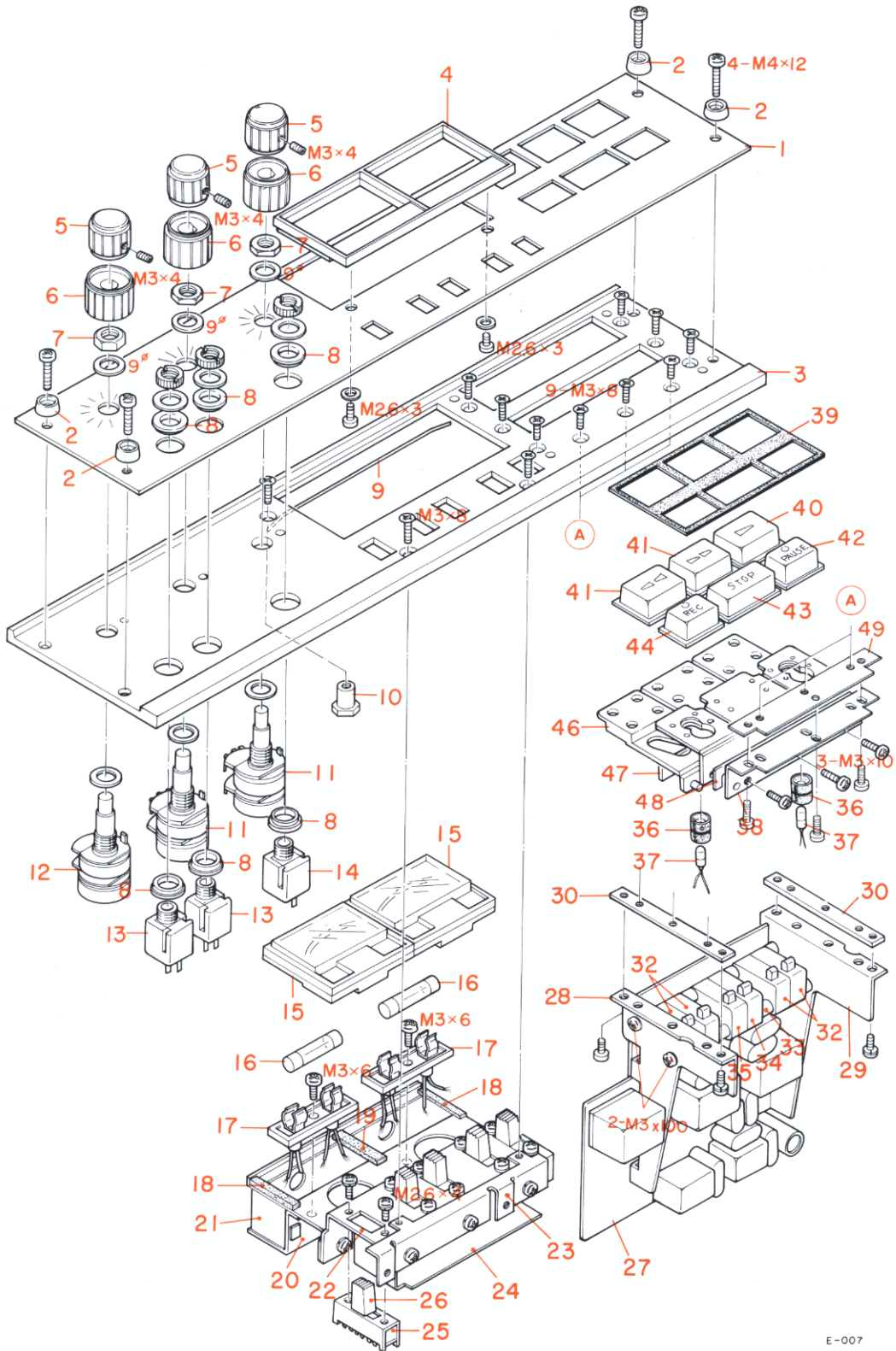
### PARTS LIST-2

REF. ORIGINAL NO.	PARTS NO.	DESCRIPTION	REVISION
2-1	50288011	Wooden Plate, A	
2-2	50288021	Wooden Plate, B	
2-3	50276930	Washer, Trim	
2-4	50162980	Cover, Counter	
2-5	50277980	Leg, Case	
2-6	50288641	Cover Assy, Bottom	*55003580
2-7	50288301	Cover Assy, Rear	**50288302

\* Original and Later Bottom Cover Assy are interchangeable.

\*\* Original and Later Rear Cover Assy are not interchangeable.

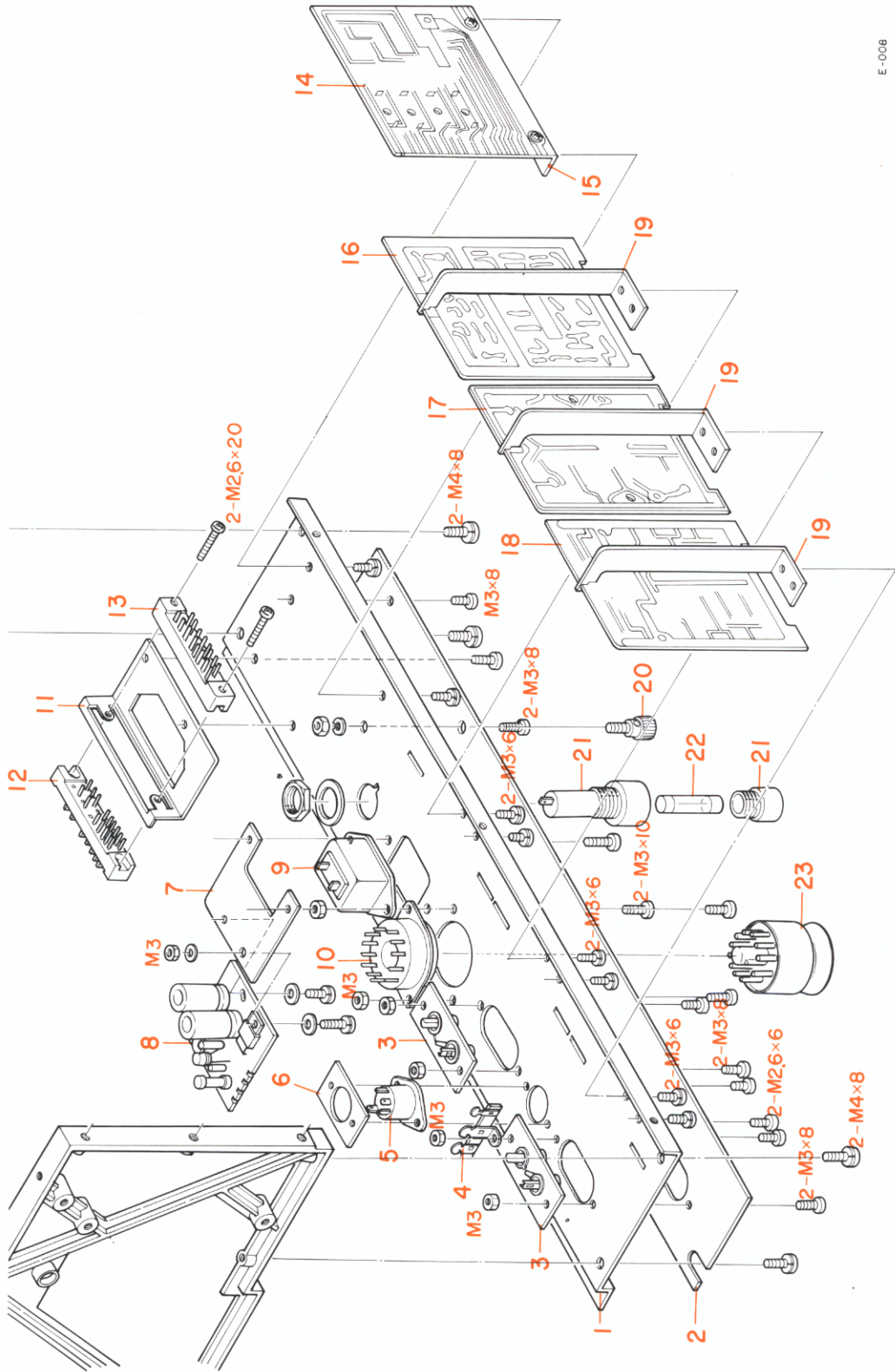
### 3. CONTROL PANEL



E-007



# 4. REAR PANEL



E-008

## PARTS LIST-4

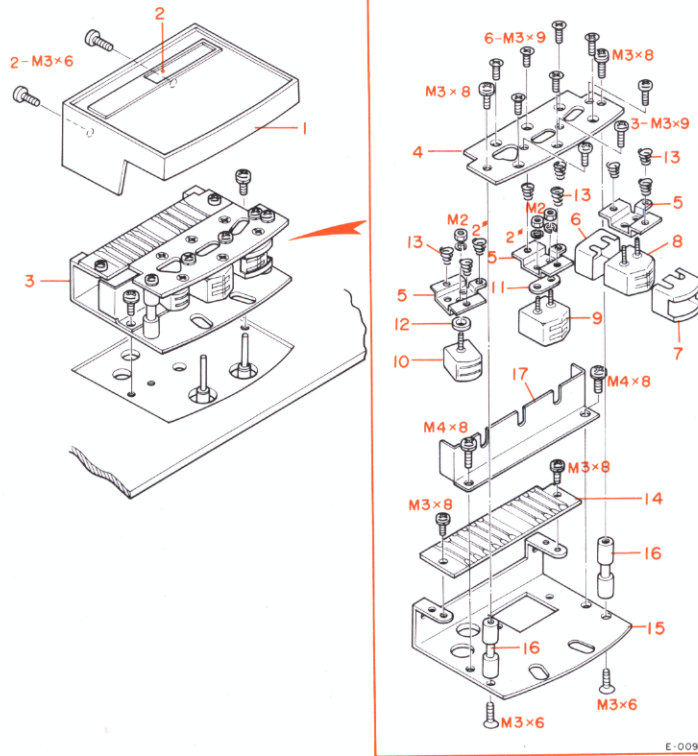
REF. NO.	ORIGINAL PARTS NO. DESCRIPTION	REVISION		APPLICABILITY
		1st	2nd	
4- 1	50237400 Chassis, Ampl.			
4- 2	50237410 Panel, Rear Trim			
4- 3	50434631 Jack, Pin; 2P			
4- 4	50452060 Terminal Strip, 1L-2P			
4- 5	50430010 Connector, DIN			
4- 6	50233530 Plate, DIN Connector			
4- 7	50237020 Plate, PC Board Holder			
4- 8	50491050 PC Bd. Assy, Voltage Regulator			
4- 9	50432950 Socket, AC			
4-10	50432350 Socket, 11P			
4-11	50237450 Bracket, Connector			
4-12	50436530 Connector, 15P (Plug)(DM)			
	50436520 " , " ( " )(TCA)			
4-13	50438310 Connector, 15P (Socket)(DM)			
	50438300 " , " ( " )(TCA)			
4-14	50490870 PC Bd. Assy, Bias Oscillator			
4-15	50332550 Angle, PC Board; Left			
4-16	50491184 PC Bd. Assy, Meter/Rec. EQ Ampl.	50491185	50491186	A-2300S-4T
	50490864 " , "	50490865	50490866	A-3300S-4T
	50491275 " , "	50491276	—————>	A-2300S-2T
	50490964 " , "	50490965	—————>	A-3300S-2T
4-17	50491260 PC Bd. Assy, Line Out/Phone Ampl.			A-2300S-4T
	50490850 " , "			A-3300S-4T
	50491170 " , "			A-2300S-2T
	50490980 " , "			A-3300S-2T
4-18	50491162 PC Bd. Assy, Mic./Playback EQ Ampl.	—————>	50491163	A-2300S-4T
	50490841 " , "	—————>	50490842	A-3300S-4T
	50491250 " , "	50191251	—————>	A-2300S-2T
	50490970 " , "	50490971	—————>	A-3300S-2T
4-19	50233760 Plate, PC Board			
4-20	50454071 Post, Grounding			
4-21	50924500 Fuse Holder (DM)			
	50412280 " (TCA)			
4-22	50411140 Fuse, 2A			
4-23	50432511 Dummy Plug			

NOTE: The revised PC Board assemblies indicated above were changed concurrent with the new heads incorporated from the Serial numbers given below. For further information about these changes, see page 8, HEAD ASSEMBLY, and the orange-colored SERVICE MANUAL REVISION NOTICE at the rear of this PARTS LIST.

### APPLICABLE SERIAL NUMBERS

REVISION MODEL	1st	2nd
A-2300S-4T	#9681~	#14881~Present
A-3300S-4T	#8181~	#11881~Present
A-2300S-2T	#15581~Present	
A-3300S-2T	#12381~Present	

## 5. HEAD ASSEMBLY

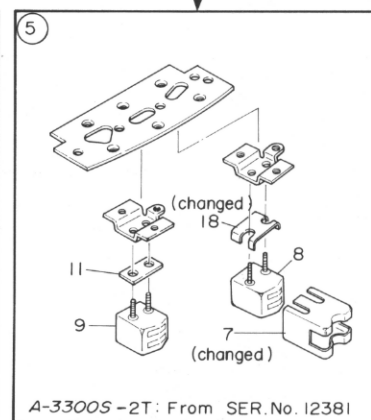
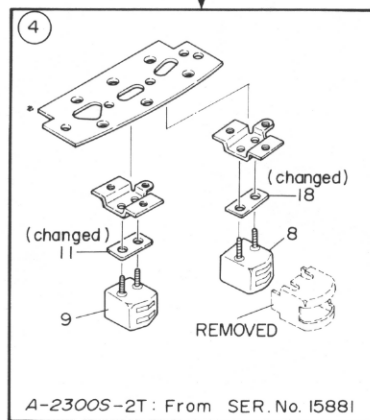
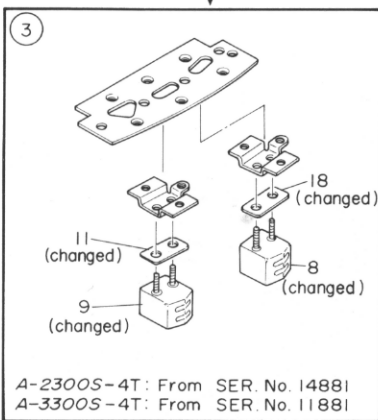
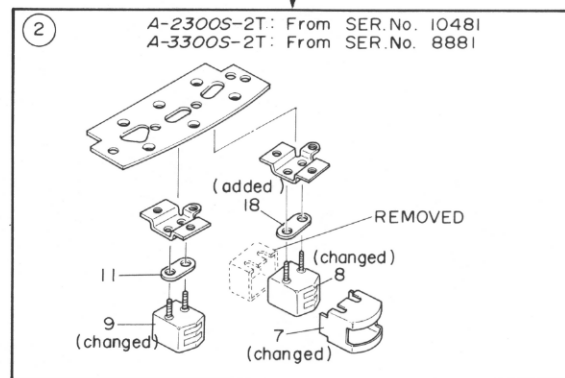
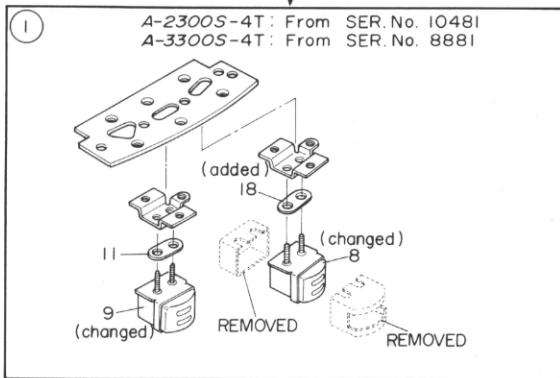
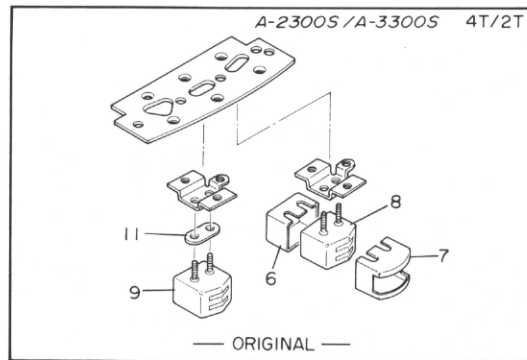


### PARTS LIST-5

REF. NO.	ORIGINAL PARTS NO. DESCRIPTION	REVISION		APPLICABILITY
		1st	2nd	
5- 1	50136550 Head Housing			
5- 2	50136721 Name Plate [A-2300S] (DM)			
	50136811 " [2300S] (TCA)			
	50136701 " [A-3300S] (DM)			
	50136711 " [3300S] (TCA)			
5- 3	55900140 Head Assy (4T)	↔ ①	55900142	→ 4T
	55900150 " (2T)	↔ ②	55900152	→ A-2300S-2T
		↔ ②	55902630	→ A-3300S-2T
5- 4	50134400 Plate, Head Base			
5- 5	50134371 Plate, Head			
5- 6	50133901 Head Shield, B	① ②	Removed	→ All
5- 7	50133891 Head Shield, A	①	Removed	→ 4T
		↔ ②	50679870	④ Removed → A-2300S-2T
				↔ ⑤ 50136790 → A-3300S-2T
5- 8	50669040 Head, PB (4T)	↔ ①	50664490	↔ ③ 50663240 → 4T
	50668050 " , " (2T)	↔ ②	50662250	→ A-2300S-2T
		↔ ②	50662220	→ A-3300S-2T
5- 9	50666041 Head, Record (4T)	↔ ①	50664480	↔ ③ 50663140 → 4T
	50665041 " , " (2T)	↔ ②	50662150	→ A-2300S-2T
		↔ ②	50662120	→ A-3300S-2T
5-10	50663030 Head, Erase (4T)			
	50662030 " , " (2T)			
5-11	50134390 Spacer, Head	→	↔ ③ ④ ⑤ 55501511	All
5-12	50136540 Spacer, Erase Head			
5-13	50220500 Spring, Head, B			
5-14	50484210 PC Board, Head			
5-15	50136560 Plate, Housing Base; C			
5-16	50182672 Pin, Guide			
5-17	50136690 Bracket, Head Protector			
5-18	(not used) Spacer, Head	① ②	50134390 (added)	↔ ③ ④ 55501511 ↔ ⑤ 50136800 → All exc. A-3300S-2T → A-3300S-2T



# HEAD REVISIONS-ILLUSTRATED



E-110

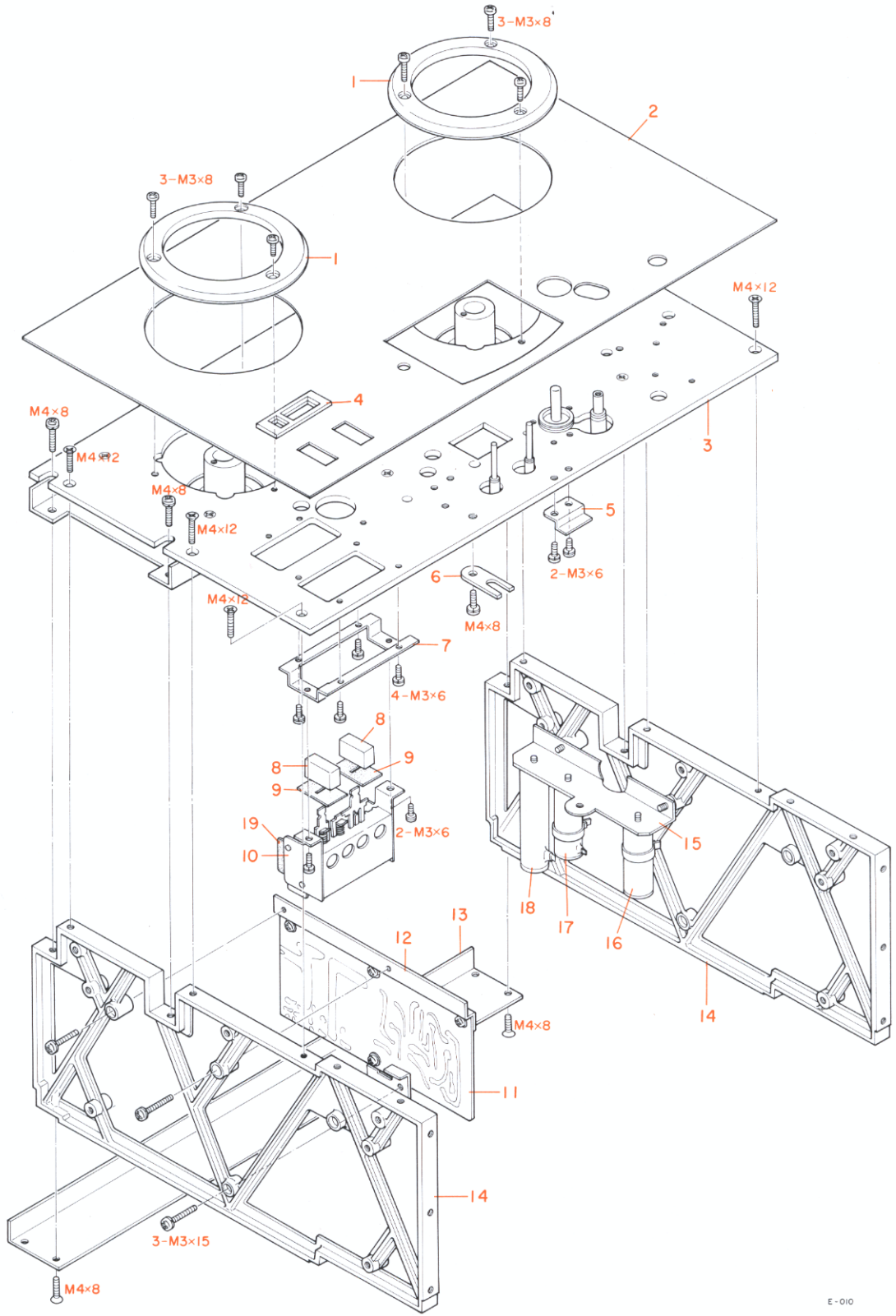
NOTE: 1.  $\nabla$  Indicates that there is no interchangeability. Use the Later number only with the applicable serial numbers. Former units require Former parts; Later units Later parts.

$\longleftrightarrow$  Indicates 100% compatibility or interchangeability between these two numbers.

2. In the parts listing, the circled numbers (③) correspond to the number of the Partial View above.

3. Accompanying the revision in heads, some electronic components (and alignment procedures) have been changed. For details, see the orange-colored SERVICE MANUAL REVISION NOTICE included at the back of this PARTS LIST.

# 6. TRANSPORT CHASSIS A-2300S



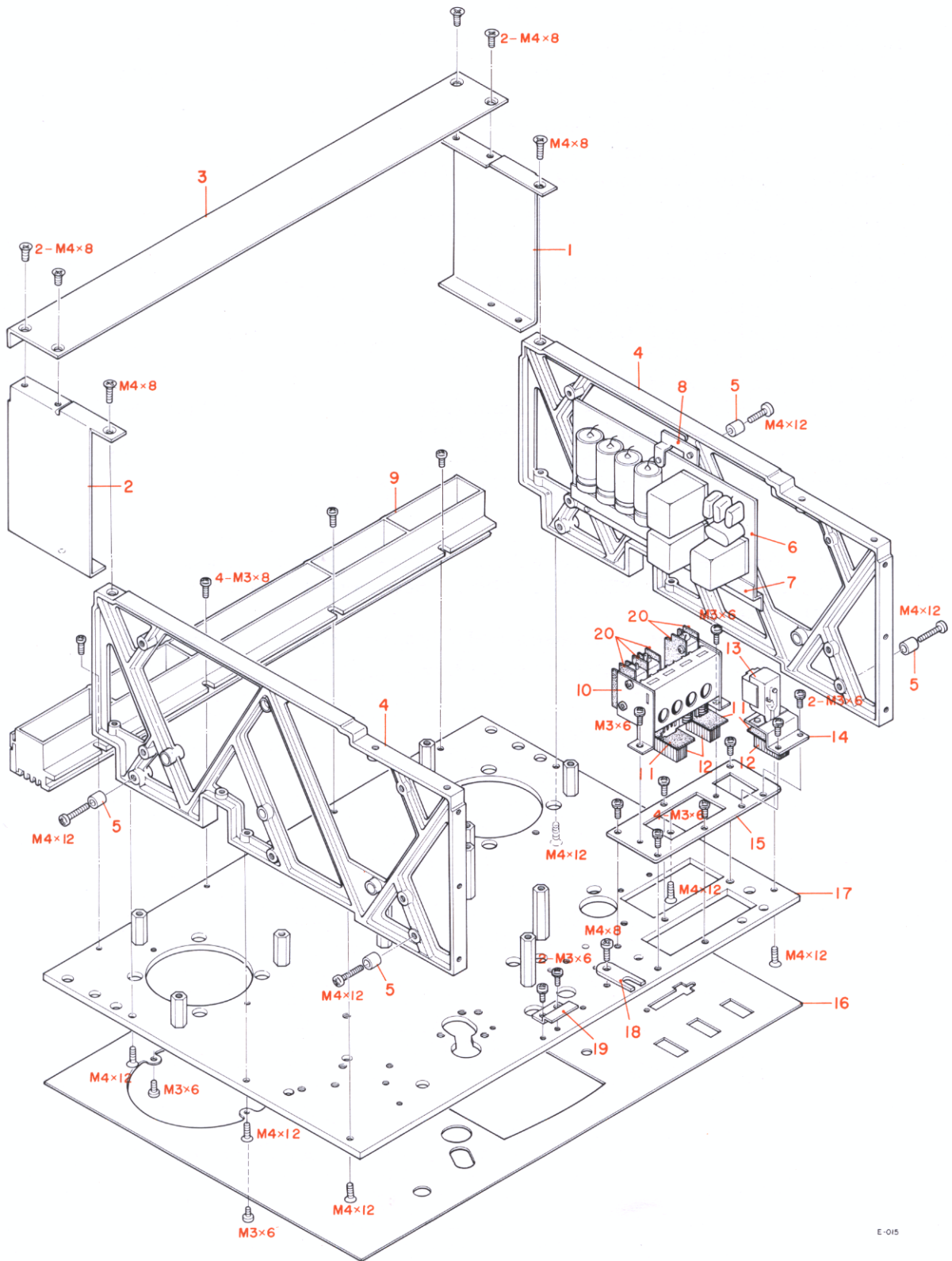
E-010

## PARTS LIST-6

REF. NO.	ORIGINAL PARTS NO.	DESCRIPTION	REVISION
6- 1	50161940	Reel Protector	
6- 2	50114250	Panel, Trim	
6- 3	50114272	Panel, Chassis	50114273
6- 4	50162980	Cover, Counter	
6- 5	50237070	Plate, VU Meter Support	
6- 6	50331440	Plate, Chassis Panel	
6- 7	50237470	Plate, Selector SW	
6- 8	50253890	Knob, SW	
6- 9	50253880	Mask, SW	
6-10	50443901	Selector SW	
6-11	50491031	PC Bd. Assy, Power Supply	
6-12	50332540	Angle, PC Board	
6-13	50235312	Angle, Rear Cover	
6-14	50112713	Frame, Side	
6-15	50330110	Plate, Resistor	
6-16	50522330	R, Wire Wound; 400 $\Omega$ 20HA (R2)	700 $\Omega$ (50522370)
6-17	50524201	R, Wire Wound; 100 $\Omega$ 20HA (R1)	
6-18	50522340	R, Wire Wound 450 $\Omega$ 30H (R4)	1.2k $\Omega$ (50522380)
6-19	50332670	Plate, Insul.; Micro SW	

- NOTE: 1. Wire Wound Resistors have been changed with the change in Reel Motors from SER. No. 2891. See page 17 in this Parts List.
2. The Chassis Panel has been modified to accept the revised Pinch Roller Arm assembly. See page 23.

# 7. TRANSPORT CHASSIS A-3300S



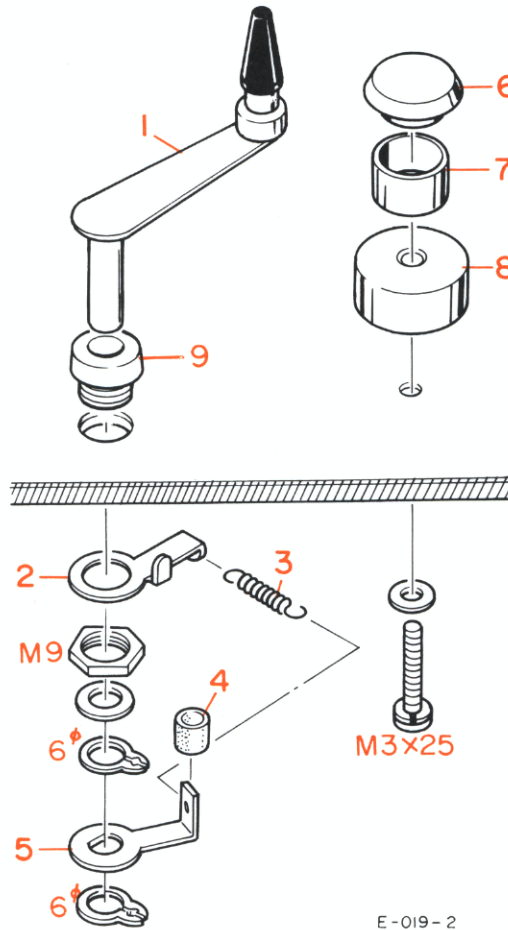
E-015

## PARTS LIST-7

REF. NO.	ORIGINAL PARTS NO.	DESCRIPTION	REVISION
7- 1	50113410	Side-Panel, Left	
7- 2	50113420	Side-Panel, Right	
7- 3	50235311	Angle, Rear Cover	
7- 4	50112713	Frame, Side	
7- 5	50241850	Spacer, Wooden Plate	
7- 6	50490921	PC Bd. Assy, Power Supply	
7- 7	50332540	Angle, PC Board	
7- 8	50237060	Bracket, PC Board	
7- 9	50112980	Grille Assy, Top	
7-10	50443901	Selector SW	
7-11	50253880	Mask, SW, x2 (4T)	
	50253900	Mask, SW (2T)	
7-12	50253530	Knob, D	
7-13	50443870	SW, Push (POWER) (DM)	
	50444560	" , " ( " ) (TCA)	
7-14	50237083	Plate, Push SW	
7-15	50237391	Plate, Selector SW	
7-16	50114210	Panel, Trim, A (4T)	
	50114220	" , " , B (2T)	
7-17	50114242	Panel, Chassis	50114243
7-18	50331440	Plate, Chassis Panel	
7-19	50237070	Plate, VU Meter Support	
7-20	50332670	Plate, Insul.; Micro SW	

NOTE: The Chassis Panel has been modified to accept the revised Pinch Roller Arm assembly. See page 23.

## 8. LEFT TENSION ARM

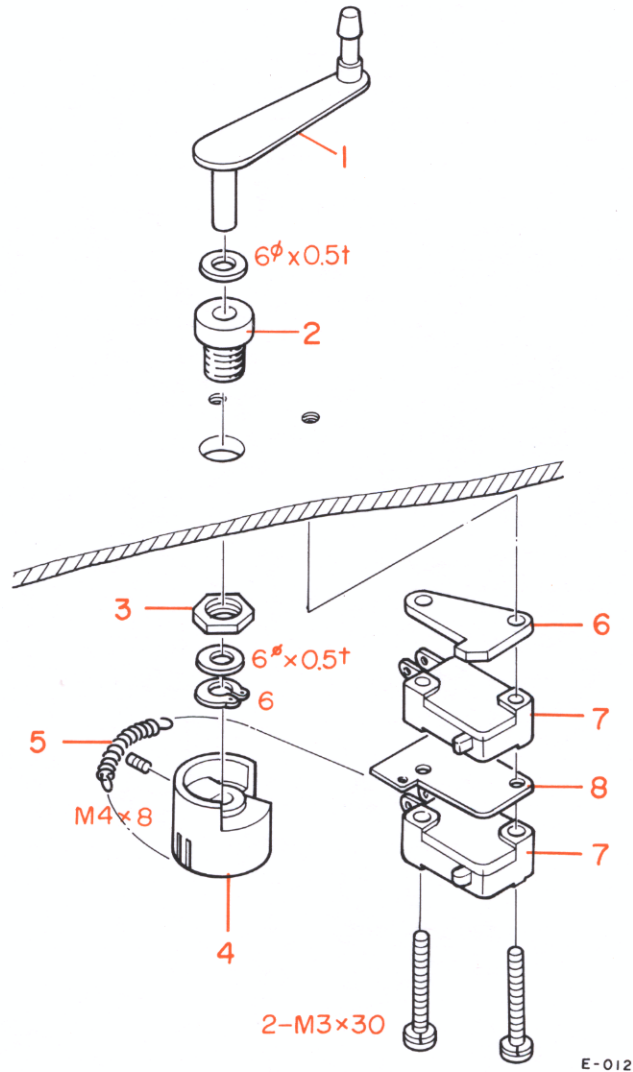


E-019-2

### PARTS LIST-8

REF. NO.	ORIGINAL PARTS NO.	DESCRIPTION	REVISION
8-1	50180590	Tension Arm Assy, Left	
8-2	50276870	Anchor, Spring; Left	
8-3	50221110	Spring, B	
8-4	50276990	Collar, Rubber	
8-5	50182750	Travel Limiter, Tension Arm	
8-6	50123910	Cap, Guide Ring	
8-7	50123930	Ring, Guide	
8-8	50123921	Guide Ring Base	
8-9	50182701	Bushing, Arm; A	

## 9. RIGHT TENSION ARM



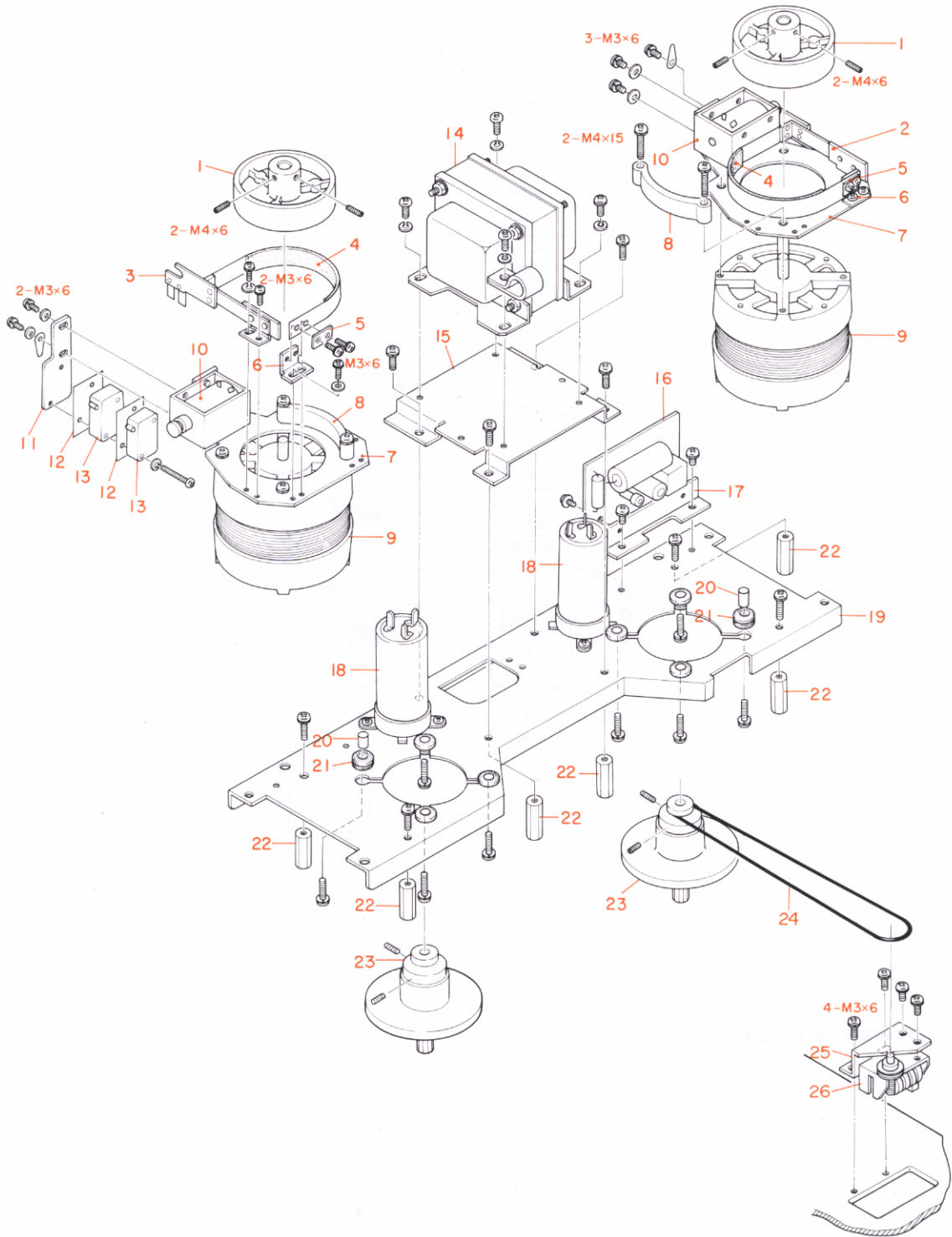
E-012

### PARTS LIST-9

REF. ORIGINAL NO. PARTS NO. DESCRIPTION	REVISION
9-1 50180432 Tension Arm Assy, Right	
9-2 50182701 Bushing, Arm A	
9-3 50276920 Lock Nut	
9-4 50183920 Drum, Tension Arm	
9-5 50221122 Spring, Tension Arm; C	
9-6 50182730 Limit Stop, Right	
9-7 50446180 SW, Micro (V-1A44)	
9-8 50183931 Plate, Insul.	

# 10. REEL MOTOR ASSEMBLY

## A-2300S





## PARTS LIST-10

REF. NO.	ORIGINAL PARTS NO.	DESCRIPTION	REVISION
10- 1	50173560	Drum, Brake	
10- 2	50170182	Brake Band Assy, A	
10- 3	50173661	Brake Band Assy, C	
10- 4	50171382	Felt, Brake	
10- 5	50170150	Plate, Band Pressure	
10- 6	50170160	Angle, Band	
10- 7	50173650	Plate, Reel Motor	
10- 8	50172550	Brake Retainer	
10- 9	50702252	Motor, Reel	* 71041041
10-10	50616620	Solenoid, Brake	** 50616770
10-11	50173690	Bracket, Micro SW	
10-12	50332680	Insulator Plate, Micro SW	
10-13	50446180	SW, Micro; V-1A-44	
10-14	50562621	Transformer, Power	
10-15	50236650	Plate, Power Transformer	
10-16	50491190	PC Bd. Assy, Control Relay-1	
10-17	50332571	Angle, PC Board	
10-18	50545500	C, MP; (3+1) $\mu$ F 250V	*(3.9+0.9) $\mu$ F (50545940)
10-19	50237460	Chassis, Reel Motor, S	
10-20	50162760	Spacer, Rubber Cushion	
10-21	50162960	Cushion, Rubber, B	
10-22	50161950	Standoff, Reel Motor	
10-23	50160332	Reel Table Assy	
10-24	50332560	Belt, Counter	
10-25	50332520	Plate, Counter	
10-26	50585140	Counter	

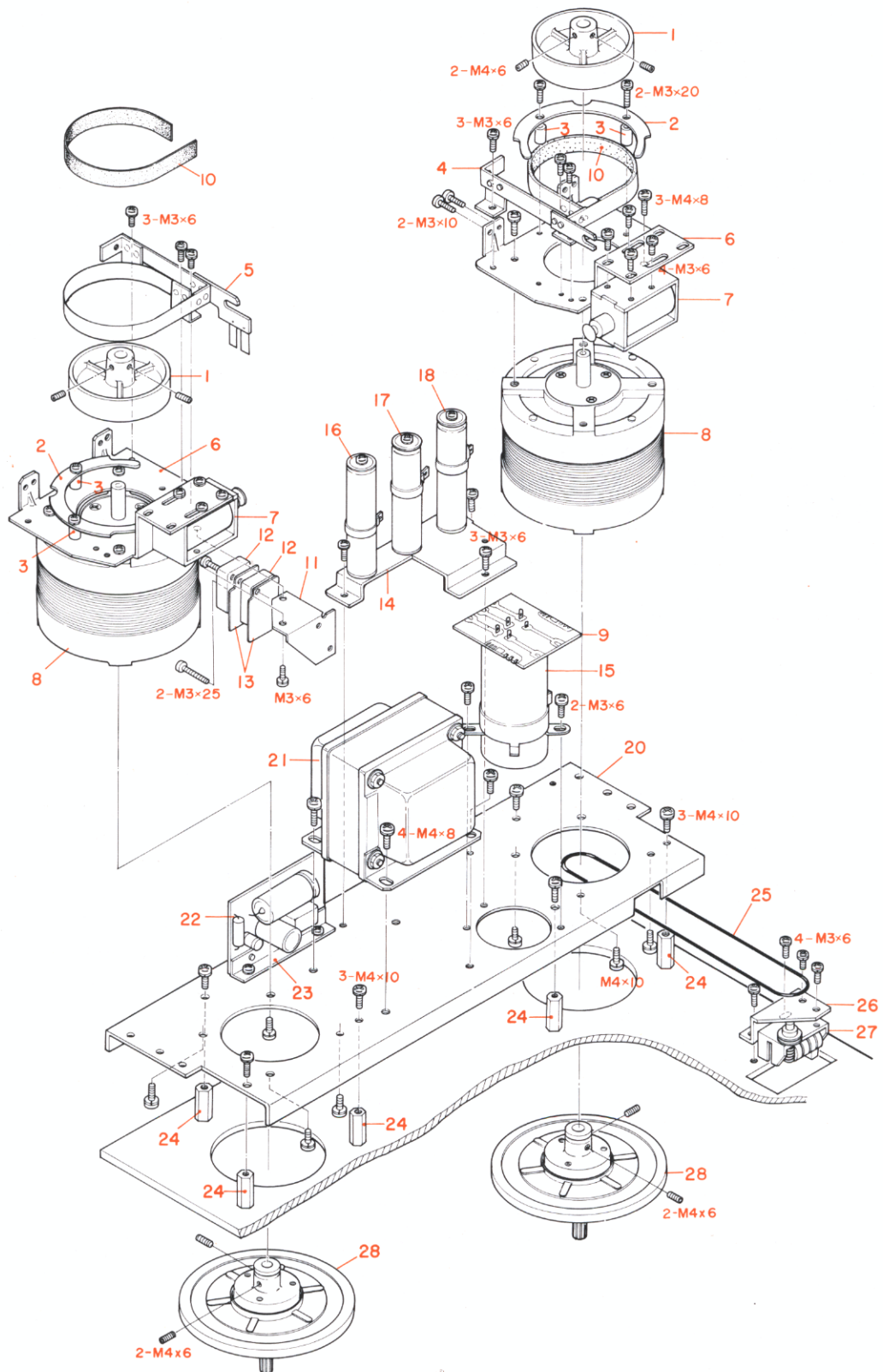
- NOTE: 1. The Reel Table Assy (10-23) is assembled with very accurate adjustments performed during the assembly process. We no longer list the individual pieces because separate replacement of them would be meaningless. Therefore, we ask you to order the entire assembly for replacement.
2. \*From Serial #2891, the Reel Motors have been changed to the revised part, which requires a different capacitor and resistors than the original. When replacing a Reel Motor for units numbered below 2891, it is suggested that the revised part be used and the capacitor and resistors be replaced as shown below. Always use the new motor for replacement in decks from Ser. #2891.

Description	Original	Present	Remarks
Motor, Reel (10-9)	50702252	71041041	
Capacitor, MP (10-18)	(3+1) $\mu$ F 250V (50545500)	(3.9+0.9) $\mu$ F 250V (50545940)	
R, Wire Wound (6-16, R2)	400 $\Omega$ 20HA (50522330)	700 $\Omega$ 20HA (50522370)	See pg. 11
R, Wire Wound (6-18, R4)	450 $\Omega$ 30H (50522340)	1.2k $\Omega$ 30H (50522380)	See pg. 11'

From SER.NO. 2891 to Present

3. \*\*Original and Later Solenoid are interchangeable.

# 11. REEL MOTOR ASSEMBLY A-3300S

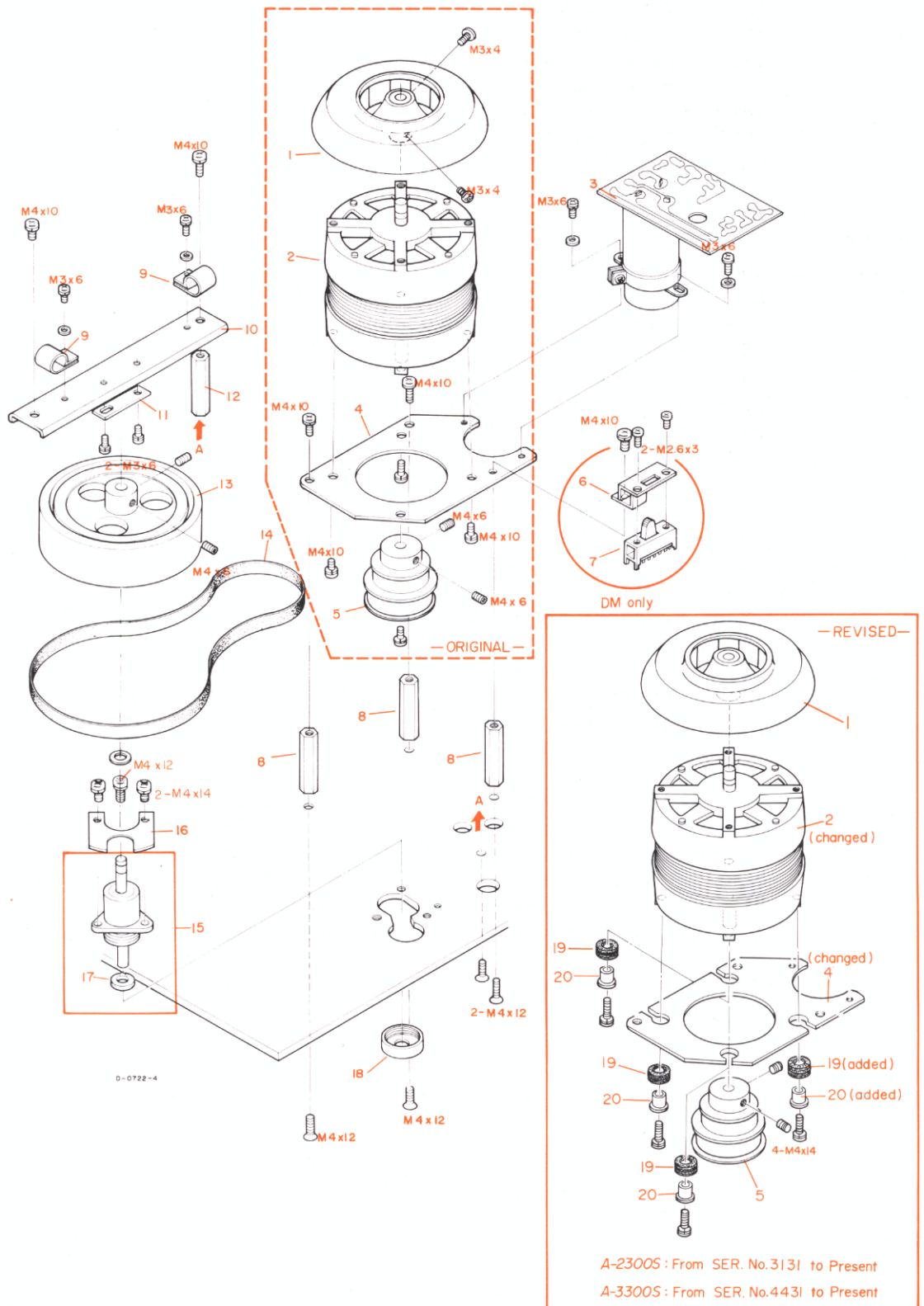


## PARTS LIST-11

REF. NO.	ORIGINAL PARTS NO.	DESCRIPTION	REVISION
11- 1	50173570	Drum, Brake	
11- 2	50173481	Brake Retainer	
11- 3	50173490	Spacer, Brake Retainer	
11- 4	50173331	Brake Band Assy, L	
11- 5	50173610	Brake Band Assy, P	
11- 6	50173600	Plate, Reel Motor, P	
11- 7	50616620	Solenoid, Brake	
11- 8	[50702320]*	Motor, Reel	70702322
11- 9	50484191	PC Bd., MP Capacitor	
11-10	50173410	Felt, Brake	
11-11	50173640	Plate, Micro SW	
11-12	50446180	SW, Micro; V-1A44	
11-13	50332680	Plate, Insul.; Micro SW	
11-14	50235560	Plate, Resistor	55540840
11-15	50545820	C, MP (5.3+0.7) $\mu$ F x2 250V	
11-16	50522230	R, Wire Wound (100 $\Omega$ 30HA)(R1)	
11-17	50522250	R, Wire Wound (150 $\Omega$ 30HA)(R3)	250 $\Omega$ 30HA (50522280)
11-18	50522280	R, Wire Wound (250 $\Omega$ 30HA)(R2)	
11-19		(not used)	
11-20	50236803	Chassis, Reel Motor; B	
11-21	50562561	Transformer, Power	
11-22	50490912	PC Bd. Assy, Control Relay-1	
11-23	50233930	Angle, PC Board; B	50332571
11-24	50161950	Standoff, Reel Motor	
11-25	50332530	Belt, Counter, P	
11-26	50332520	Plate, Counter	
11-27	50585140	Counter	
11-28	50160314	Reel Table Assy	

- NOTE:
1. The Reel Table Assy (11-28) is assembled with very accurate adjustments performed during the assembly process. we no longer list the individual pieces because separate replacement of them would be meaningless. Therefore, we ask you to order the entire assembly for replacement.
  2. All revised parts are interchangeable between Original and Later types.
  3. \*Typographical error in Original Parts List. Do not order this number.

# 12. CAPSTAN DRIVE ASSEMBLY

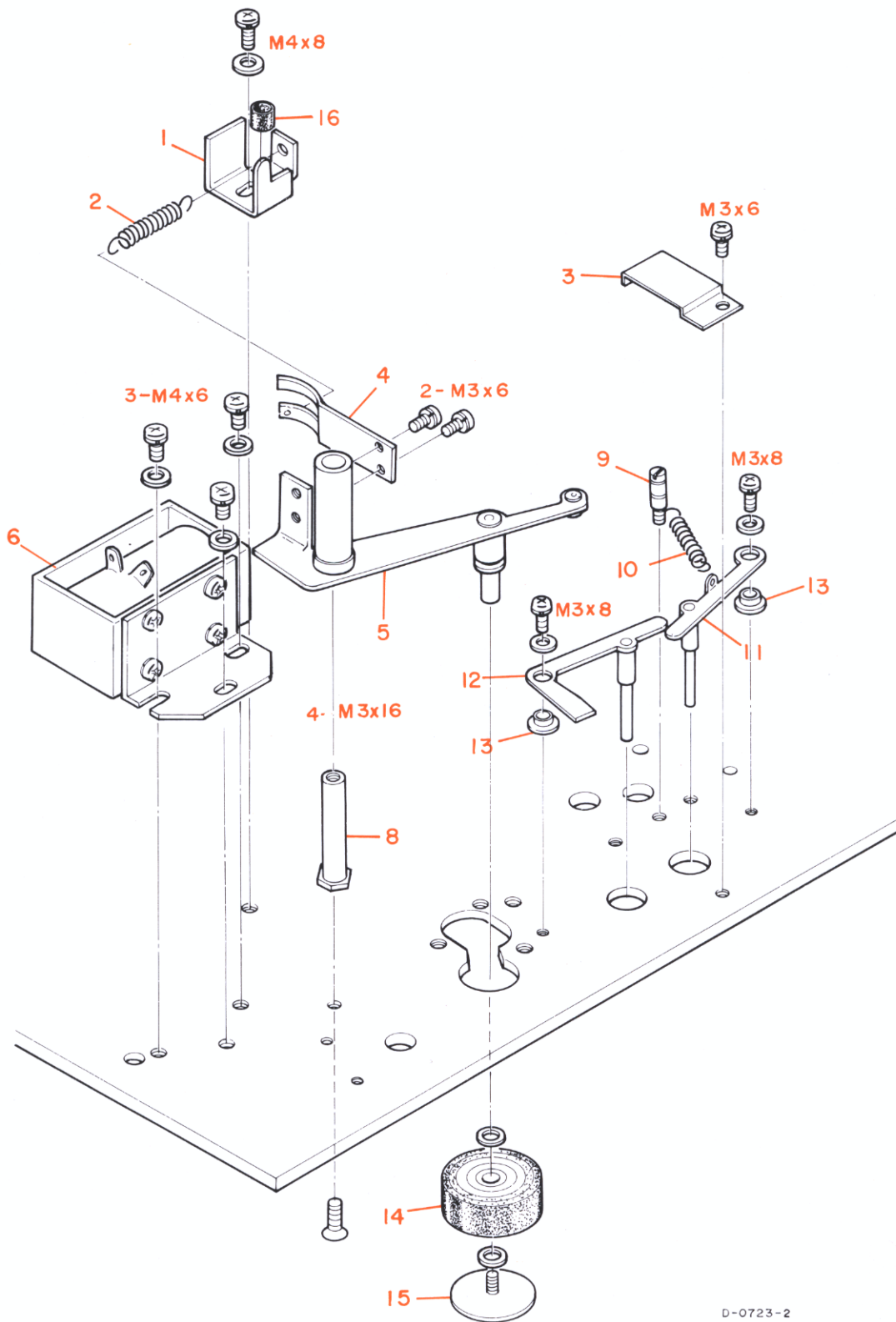


## PARTS LIST-12

REF. NO.	ORIGINAL PARTS NO. DESCRIPTION	REVISION
12 -1	50123982 Fan, Motor Cooling	
12- 2	50701341 Motor, Capstan	
12- 3	50545650 C, MP (2+0.8) $\mu$ F/250V	
	50491401 PC Bd, MP Capacitor	
12- 4	50123870 Plate, Capstan Motor	* 50237520
12- 5	50124003 Pulley, Motor (50Hz/60Hz) (DM)	
	50125121 Pulley, Motor (60Hz) (TCA)	
12- 6	50332380 Bracket, Slide SW (DM)	
12- 7	50444610 SW, Slide (DM)	
12- 8	50123850 Standoff, Capstan	
12- 9	50276280 Clamp, Wire	
12-10	50277151 Angle, Thrust	
12-11	50277231 Plate, Thrust	
12-12	50123860 Standoff, Flywheel	
12-13	50123802 Flywheel, Capstan	
12-14	50123830 Belt, Capstan (All exc. A-3300S-2T)	
	50125340 " , " (A-3300S-2T only)	
12-15	50120440 Capstan Assy (19cm/s) (All exc. A-3300S-2T)	
	50120450 " (38cm/s) (A-3300S-2T only)	
12-16	50142190 Plate, Arm Support	
12-17	50123900 Sponge, Oiler	
12-18	50123971 Cap, Dust, 6 $\phi$ (4T)	
	50125351 " , " , 12 $\phi$ (2T)	
12-19	(not used) Cushion, Rubber	50706211 (added)
12-20	(not used) Spacer, Rubber Cushion	50332790 (added)

NOTE: \*The Capstan Motor Plate (12-4, revised P/N 50237520) requires the use of ref. numbers 12-19 and 12-20.

### 13. LIFTER AND PINCH ROLLER



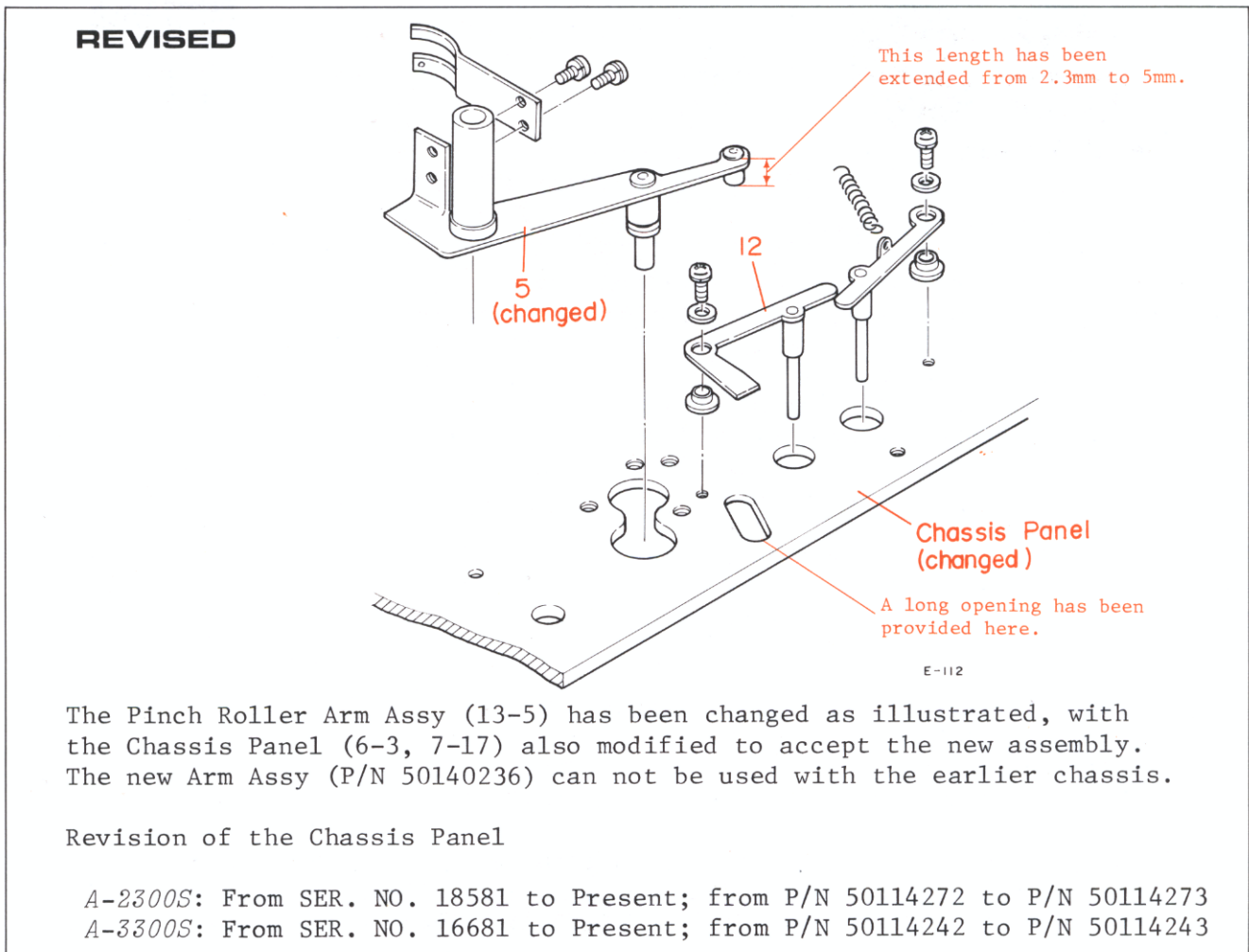
D-0723-2

## PARTS LIST-13

REF. NO.	ORIGINAL PARTS NO.	DESCRIPTION	REVISION
13- 1	50141842	Limit Stop, Pinch Roller	
13- 2	50220441	Spring	
13- 3	50152453	Plate, Lifter	
13- 4	50221152	Spring, Pressure	
13- 5	50140235	Arm Assy, Pinch Roller	* 50140236
13- 6	50616641	Solenoid Assy, Pinch Roller	** 50616760
13- 7		(not used)	
13- 8	50141821	Shaft, Roller Arm	
13- 9	50123140	Pin, Lifter Spring	
13-10	50221100	Spring, Lifter, A	
13-11	50150252	Arm, Lifter; B	
13-12	50150242	Arm, Lifter; A	
13-13	50152501	Shaft, Lifter Arm	
13-14	50141751	Pinch Roller	
13-15	50142180	Cap, Pinch Roller	
13-16	50275690	Cushion, Rubber	

\*Not interchangeable. See explanation in the following figure.

\*\*Original and Later Solenoid Assy are interchangeable.



## 14. SUPPLIED ACCESSORIES



**PARTS LIST-14**

REF. NO.	ORIGINAL PARTS NO.	DESCRIPTION	REVISION
14- 1	50160270	Reel Adaptors, x2 (A-3300S)	
14- 2	*RE-702	Empty Reel, 7 inch, Small Hub (A-2300S)	
14- 3	*RE-1002	" , 10 inch (A-3300S)	
14- 4	50629620	Splicing Tape	
14- 5	50852120	Reel Adjusting Disc, x2	
14- 6	50276971	Rubber Feet (for Horizontal Use), x4	
14- 7	50471250	Input-Output Connection Cords, x2	
14- 8	50470772	AC Power Cord (DM)	
	50470501	" (TCA)	50478250
14- 9	57100300	Cleaning Stick (TZ-275)	
14-10	50291860	Oil and Applicator	
14-11	50411340	Fuse, 2A-250V (TCA•UL only)	
14-12	50291350	Silicone Cloth	
----	51011651	A-2300S Instruction Manual (DM)	
----	51012261	2300S " (TCA)	
----	51011410	A-3300S " (DM)	
----	51011421	3300S " (TCA)	

**NOTE:** The Empty Reels are available as Optional Accessories and thus are not assigned a special TEAC Parts number. Please order them by the MODEL CODE NUMBER (RE-702, RE-1002). These numbers are indicated on the packages.



# **PRINTED CIRCUIT BOARD PARTS LIST**

**A-2300S/A-3300S**

## **NOTE**

1. Several parts values have been changed by modifications. To obtain the correct part, always cross-reference with a Schematic Diagram and check the Circuit Reference number for possible revisions. The tape deck's Serial Number will be needed to confirm applicability as explained on the effected pages.
2. Do not include the Circuit Reference number with your order- it is included here for your reference use only.
3. Double designated circuit reference numbers indicate left channel/right channel (example: R101/201).

**TEAC CORPORATION**



CIRCUIT REF.NO.	ORIGINAL PARTS NO. DESCRIPTION	REVISION	APPLICABILITY
	50491162 PC Bd. Assy, MIC/PB EQ Ampl.	⑤ 50491163	A-2300S-4T
	50490841 " , "	⑤ 50490842	A-3300S-4T
	50491250 " , "	④ 50491251	A-2300S-2T
	50490970 " , "	⑥ 50490971	A-3300S-2T
	50484080 PC Board		
	SILICON TRANSISTORS		
Q101/104	50424340 2SC1000-BL		
Q102/105	50423650 2SA494-Y		
Q103/106	50424600 2SC828-S		
Q107/108	50424340 2SC1000-BL		
	CARBON RESISTORS		
R101/120	50518890 270kΩ 1/4W 10%		
R102/121	50513430 1kΩ " "		
R103/122	50513990 56kΩ " "		
R104/123	50513990 56kΩ " "		
R105/124	50513870 47kΩ " "		
R106/125	50518850 39kΩ " "		
R107/126	50513580 12kΩ " "		
R108/127	50518780 220Ω " "	② 330Ω (50513360)	A-2300S-4T
	50513360 330Ω " "	→	A-3300S-4T
	50572760 560Ω " "	→	2T
R109/128	50518840 33kΩ " "		
R110/129	50513440 1.2kΩ " "		
R111/130	50518770 180Ω " "		
R112/131	50513570 10kΩ " "		
R113/132	50513880 5.6kΩ " "		
R114/133	50518880 220kΩ " "		
R115/134	50513440 1.2kΩ " "		
R116/135	50518930 680kΩ " "	① 270kΩ (50518890) ⑤ 180kΩ (50518380)	4T
	" " " "	④ 270kΩ (50518890)	A-2300S-2T
	" " " "	⑥ 470kΩ (50573460)	A-3300S-2T
R117/136	50573200 120kΩ 1/4W 10%	⑤ 33kΩ (50518840)	4T
	" " " "	→	2T
R118/137	" " " "	⑤ 33kΩ (50518840)	4T
	" " " "	→	2T
R119/138	50518860 68kΩ " "		
R139	50518790 470Ω " "		
R140/147	50513430 1kΩ " "		
R141/148	50518890 270kΩ " "		
R142/149	50518860 68kΩ " "		
R143/150	50513870 47kΩ " "		
R144/151	50513320 150Ω " "		
R145/152	50513580 12kΩ " "		
R146/153	50513570 10kΩ " "		
	TRIMMER RESISTORS		
VR101/103	50534130 6.8kΩ(B)	④ 10kΩ(B) (50533480)	A-2300S-2T only
	" " " "	→	All exc. A-2300S-2T
VR102/104	50534140 15Ω(B)		All exc. A-3300S-2T
	50534130 6.8kΩ(B)		A-3300S-2T only
	CAPACITORS		
C101/114	50546193 Tant. 10μF 10V		
C102/115	50554030 Elec. 47μF 6.3V		
C103/116	50547560 Polyst. 470pF 50V		
C104/117	50549700 Elec. 10μF 25V		
C105/118	50549740 Elec. 100μF 25V		

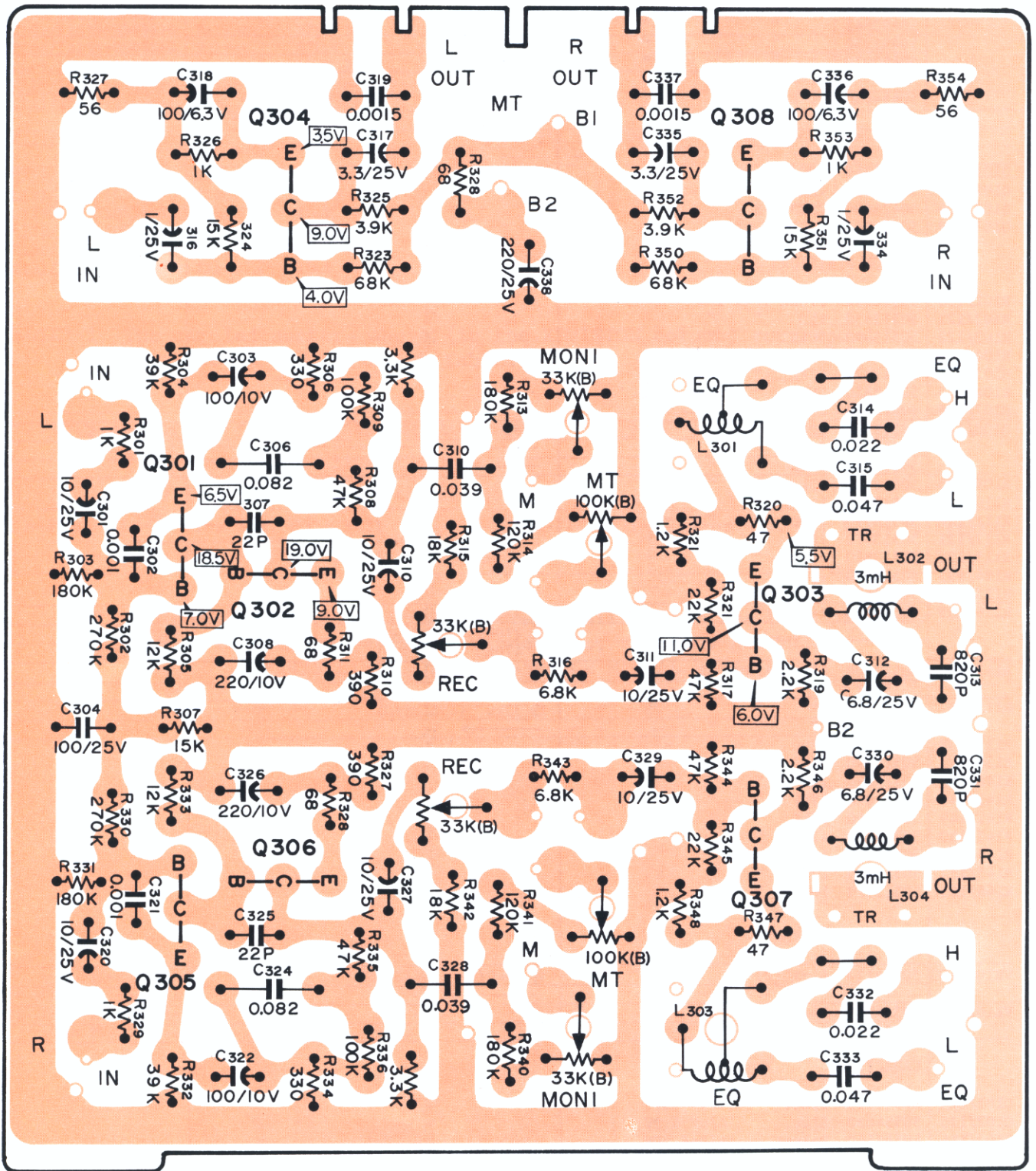
CIRCUIT REF.NO.	ORIGINAL PARTS NO.	DESCRIPTION	REVISION	APPLICABILITY
C106/119	50554230	Elec. 100 $\mu$ F 6.3V		
C107/120	50543820	Polyst. 22pF 50V		
C108/121	50547560	Polyst. 470pF 50V		
C109/122	50549700	Elec. 10 $\mu$ F 25V		
C110/123	50548420	Mylar 0.015pF 50V		
C111/124	50546662	Dip. Tant. 0.22 $\mu$ F 25V	⑤ 1 $\mu$ F 35V (50546701)	4T
	"	"	→	2T
C112/125	50546662	Dip. Tant. 0.22 $\mu$ F 25V	⑤ 1 $\mu$ F 35V (50546701)	4T
	"	"	→	2T
C113/126	50546689	Tant. 0.47 $\mu$ F 16V		
C127/136	50554170	Elec. 100 $\mu$ F 25V		
C128/132	50554050	Elec. 10 $\mu$ F 6V		
C129/133	50547560	Polyst. 470pF 50V		
C130/134	50554030	Elec. 47 $\mu$ F 6.3V		
C131/135	50554050	Elec. 10 $\mu$ F 6V		

NOTE: 1. The circled numbers above (in the REVISION column) correspond to those in the following table.

A-2300S-4T	① From SER. NO. 10481	A-2300S-2T	④ From SER. NO. 15581 to Present
	② From SER. NO. 11081		
	⑤ From SER. NO. 14881 to Present		
A-3300S-4T	① From SER. NO. 8881	A-3300S-2T	⑥ From SER. NO. 12381 to Present
	⑤ From SER. NO. 11881 to Present		

2. All revised electrical components resulted from the head parts change (including Heads). For details, see HEAD ASSEMBLY (page 8 in PARTS LIST) and the SERVICE MANUAL REVISION NOTICE - orange colored sheet - at the rear of this PARTS LIST.

## 2. METER/REC.EQ.AMPLIFIER



ORIGINAL

P-018

CIRCUIT REF.NO.	ORIGINAL PARTS NO. DESCRIPTION	REVISION	APPLICABILITY
	50491184 PC Bd. Assy	③ 50491185 ⑤ 50491186	A-2300S-4T
	50490864 "	③ 50490865 ⑤ 50490866	A-3300S-4T
	50491275 "	④ 50491276	A-2300S-2T
	50490964 "	⑥ 50490965	A-3300S-2T
	50484102 PC Board		
	SILICON TRANSISTORS		
Q301/305	50423870 2SC639-G		
Q302/306	50423650 2SA494-Y		
Q303/304	50424600 2SC828-S		
Q307/308	50424600 2SC828-S		
	CARBON RESISTORS		
R301/329	50570820 1k $\Omega$ 1/4W 10%		
R302/330	50571400 270k $\Omega$ " "		
R303/331	50571360 180k $\Omega$ " "		
R304/332	50571200 39k $\Omega$ " "		
R305/333	50571080 12k $\Omega$ " "		
R306/334	50570700 330 $\Omega$ " "		
R307/324	50571100 15k $\Omega$ " "		
R308/335	50571220 47k $\Omega$ " "		
R309/336	50571300 100k $\Omega$ " "		
R310/337	50570720 390 $\Omega$ " "		
R311/338	50570540 68 $\Omega$ " "		
R312/339	50570940 3.3k $\Omega$ " "		
R313/340	50571360 180k $\Omega$ " "		
R314/341	50571320 120k $\Omega$ " "		
R315/342	50571120 18k $\Omega$ " "	② 6.8k $\Omega$ (50571020)	All
R316/343	50571020 6.8k $\Omega$ " "		
R317/344	50571220 47k $\Omega$ " "		
R318/345	50571120 18k $\Omega$ " "		
R319/346	50570900 2.2k $\Omega$ " "		
R320/347	50570500 47 $\Omega$ " "		
R321/348	50570840 1.2k $\Omega$ " "		
R322/349	Jumper	③ 150 $\Omega$ (50515240)	4T
	Jumper	④ 100 $\Omega$ (50515220)	A-2300S-2T
	50570220 33 $\Omega$ 1/4W 10%	⑥ 180 $\Omega$ (50570840)	A-3300S-2T
R323/350	50571260 68k $\Omega$ " "		
R325/352	50570960 3.9k $\Omega$ " "		
R326/353	50570820 1k $\Omega$ " "		
R327/354	50570520 56 $\Omega$ " "		
R328	50570540 68 $\Omega$ " "		
R351	50571100 15k $\Omega$ " "		
	TRIMMER RESISTORS		
VR301/304	50534120 33k $\Omega$ (B)		
VR302/305	50533490 100k $\Omega$ (B)		
VR303/306	50533520 47k $\Omega$ (B)		A-2300S
	50534120 33k $\Omega$ (B)		A-3300S
	CAPACITORS		
C301/320	50554040 Elec. 10 $\mu$ F 25V		
C302/321	50548320 Mylar 0.001 $\mu$ F 50V		
C303/322	50554570 Elec. 100 $\mu$ F 10V		
C304	50554170 Elec. 100 $\mu$ F 25V		
C305/323	50543510 Polyst. 33pF 50V		
C306/324	50548370 Mylar 0.082 $\mu$ F 50V	② 0.056 $\mu$ F 50V (50548460) ⑤ 0.047 $\mu$ F 50V (50548270)	4T
	" " " "	② 0.056 $\mu$ F 50V (50548460)	A-2300S-2T
	" " " "	② 0.056 $\mu$ F 50V (50548460) ⑥ 0.082 $\mu$ F 50V (50548370)	A-3300S-2T
C307/325	50543330 Polyst. 22pF 50V		
C308/326	50554910 Elec. 220 $\mu$ F 10V		
C309/327	50549700 Elec. 10 $\mu$ F 25V		
C310/328	50548630 Mylar 0.039 $\mu$ F 50V	② 0.027 $\mu$ F 50V (50548330)	All exc. A-3300S-2T
	" " " "	② 0.027 $\mu$ F 50V (50548330) ⑥ 0.033 $\mu$ F (50548240)	A-3300S-2T only
C311/329	50554040 Elec. 10 $\mu$ F 25V		
C312/330	50546621 Tant. 6.8 $\mu$ F 25V		
C313/331	50543440 Polyst. 820pF 50V		
C314/332	50548240 Mylar 0.033 $\mu$ F 50V	→	4T
	50548290 Mylar 0.022 $\mu$ F 50V	④ 0.015 $\mu$ F 50V (50548420)	A-2300S-2T
	50548620 Mylar 0.012 $\mu$ F 50V	① 0.0068 $\mu$ F 50V (50548570)	A-3300S-2T

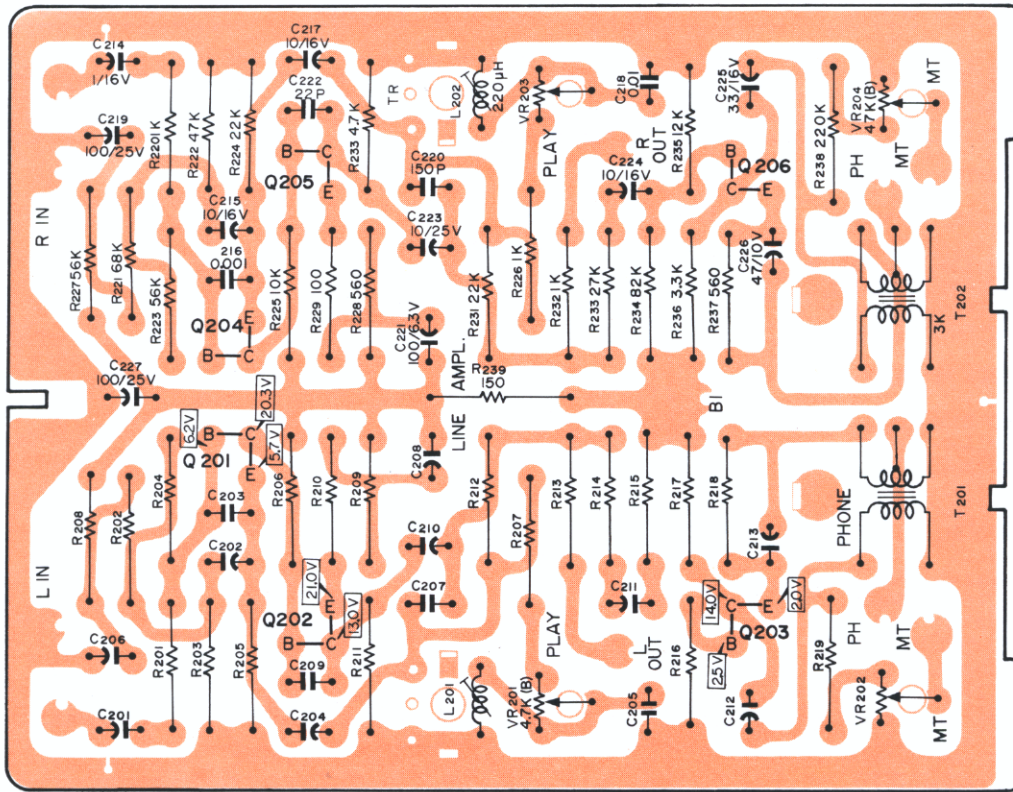
CIRCUIT REF.NO.	ORIGINAL PARTS NO. DESCRIPTION	REVISION	APPLICABILITY
C315/333	50548270 Mylar 0.047 $\mu$ F 50V	① 0.033 $\mu$ F 50V (50548240)	4T
	50548460 Mylar 0.056 $\mu$ F 50V	④ 0.022 $\mu$ F 50V (50548290)	A-2300S-2T
	50548330 Mylar 0.027 $\mu$ F 50V	① 0.022 $\mu$ F 50V (50548290)	A-3300S-2T
C316/334	50555470 Elec. 1 $\mu$ F 25V		
C317/335	50554140 Elec. 3.3 $\mu$ F 25V		
C318/336	50554230 Elec. 100 $\mu$ F 6.3V		
C319/337	50548120 Mylar 0.0015 $\mu$ F 50V		
C338	50555520 Elec. 220 $\mu$ F 25V		
	COILS		
L301/303	50566370 Rec. EQ 2.4/4.2mH		All exc. A-3300S-2T
	50566670 Rec. EQ 1.5/2.4mH		A-3300S-2T only
L302/304	50566300 Trap 3mH		

NOTE: 1. The circled numbers above (in the REVISION column) correspond to those in the following table.

A-2300S-4T	① From SER. NO. 10481	A-2300S-2T	② From SER. NO. 11081
	② From SER. NO. 11081		④ From SER. NO. 15581 to Present
	③ From SER. NO. 9681		
	⑤ From SER. NO. 14881 to Present		
A-3300S-4T	① From SER. NO. 8881	A-3300S-2T	① From SER. NO. 8881
	② From SER. NO. 10281		② From SER. NO. 10281
	③ From SER. NO. 8181		⑥ From SER. NO. 12381 to Present
	⑤ From SER. NO. 11881 to Present		

2. All revised electrical components resulted from the head parts change (including Heads). For details, see HEAD ASSEMBLY (page 8 in PARTS LIST) and the SERVICE MANUAL REVISION NOTICE - orange colored sheet - at the rear of this PARTS LIST.

### 3. LINE OUT/PHONE AMPLIFIER



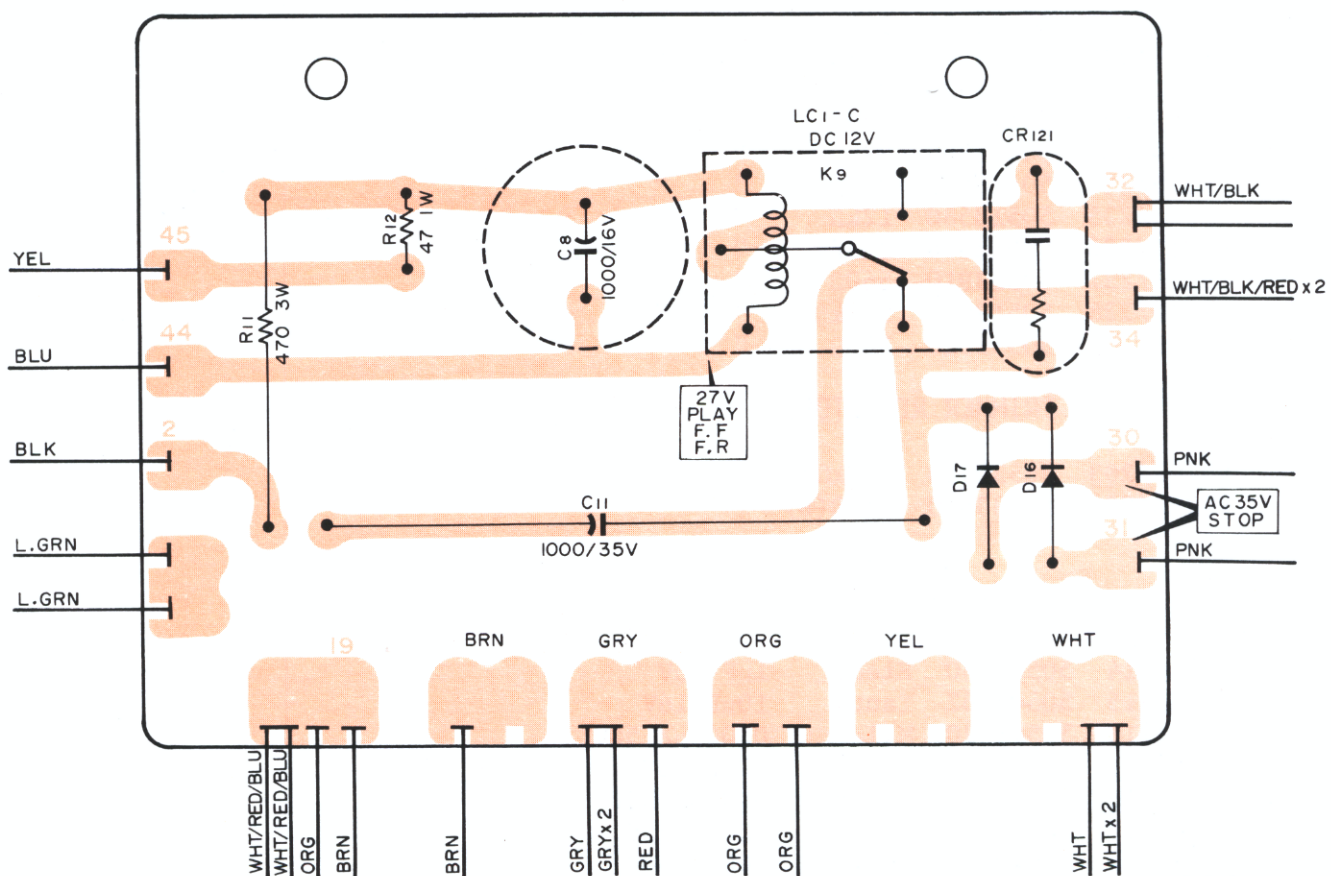
P-013

CIRCUIT REF.NO.	ORIGINAL PARTS NO.	DESCRIPTION	REVISION
50491260	PC Bd. Assy,	Line Out/Phone Ampl.	(A-2300S-4T)
50490850	"	"	(A-3300S-4T)
50491170	"	"	(A-2300S-2T)
50490980	"	"	(A-3300S-2T)
50484090	PC Board		
SILICON TRANSISTORS			
Q201/204	50423870	2SC693-G	
Q202/205	50423800	2SA564-R	
Q203/206	50423830	2SC536-F	
CARBON RESISTORS			
R201/220	50513430	1k $\Omega$	1/4W 10%
R202/221	50518860	68k $\Omega$	" "
R203/222	50513870	47k $\Omega$	" "
R204/223	50513990	56k $\Omega$	" "
R205/224	50513930	22k $\Omega$	" "
R206/225	50513570	10k $\Omega$	" "
R207/226	50513430	1k $\Omega$	" "
R208/227	50513990	56k $\Omega$	" "



CIRCUIT REF.NO.	ORIGINAL PARTS NO.	DESCRIPTION	REVISION
R209/228	50513910	560Ω 1/4W 10%	
R210/229	50513300	100Ω " "	
R211/230	50513970	4.7kΩ " "	
R212/231	50513930	22kΩ " "	
R213/232	50513920	680Ω " "	
R214/233	50513860	27kΩ " "	
R215/234	50518870	82kΩ " "	
R216/235	50513580	12kΩ " "	
R217/236	50513960	3.3kΩ " "	
R218/237	50513910	560Ω " "	
R219/238	50518880	220kΩ " "	
R239	50513320	150Ω " "	
TRIMMER RESISTORS			
VR201/203	50533460	4.7kΩ(B)	
VR202/204	50533520	47kΩ(B)	
CAPACITORS			
C201/214	50549660	Elec. 1μF 25V	
C202/215	50546562	Tant. 10μF 16V	
C203/216	50548320	Mylar 0.001μF 50V	
C204/217	50554050	Elec. 10μF 16V	
C205/218	50548020	Mylar 0.01μF 50V	
C206/219	50554170	Elec. 100μF 25V	
C207/220	50547440	Polyst. 100pF 50V	
C208/221	50554230	Elec. 100μF 6.3V	
C209/222	50543820	Polyst. 22pF 50V	
C210/223	50554040	Elec. 10μF 25V	
C211/224	50554050	Elec. 10μF 16V	
C212/225	50554260	Elec. 33μF 16V	
C213/226	50554030	Elec. 47μF 6.3V	
C227	50554170	Elec. 100μF 25V	
COILS			
L201/202	50566640	Trap 220μH	
TRANSFORMERS			
T201/202	50562141	Headphone 3kΩ:8Ω	

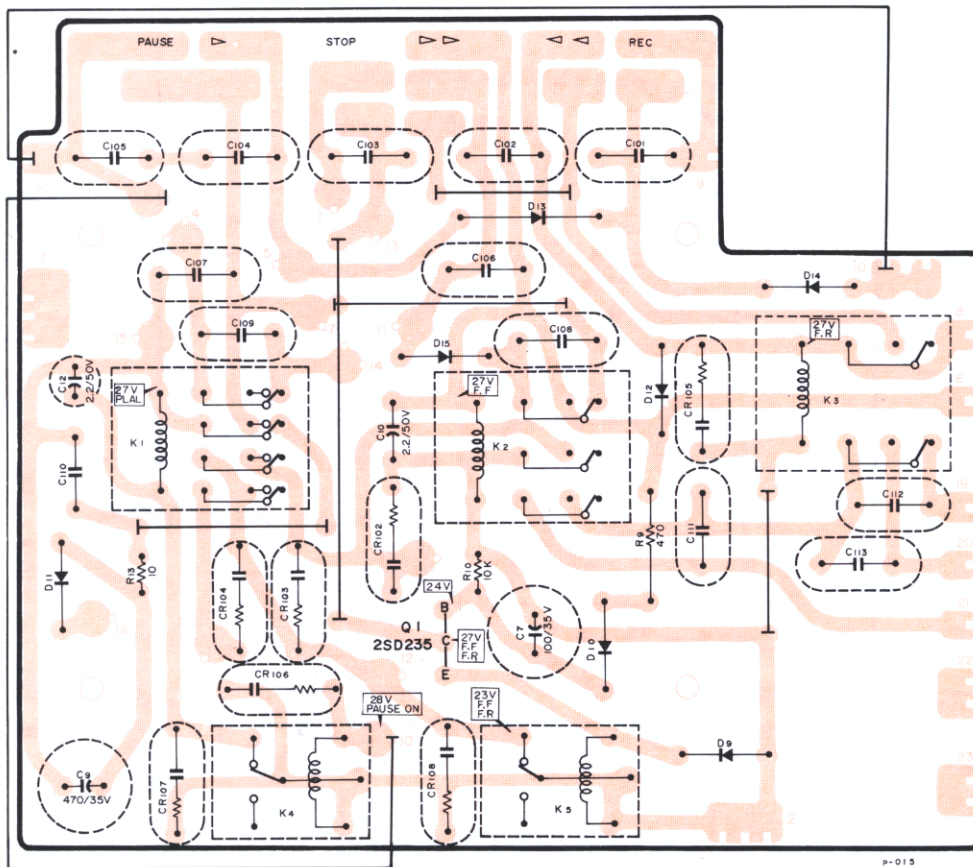
## 4. CONTROL RELAY-1



P-014

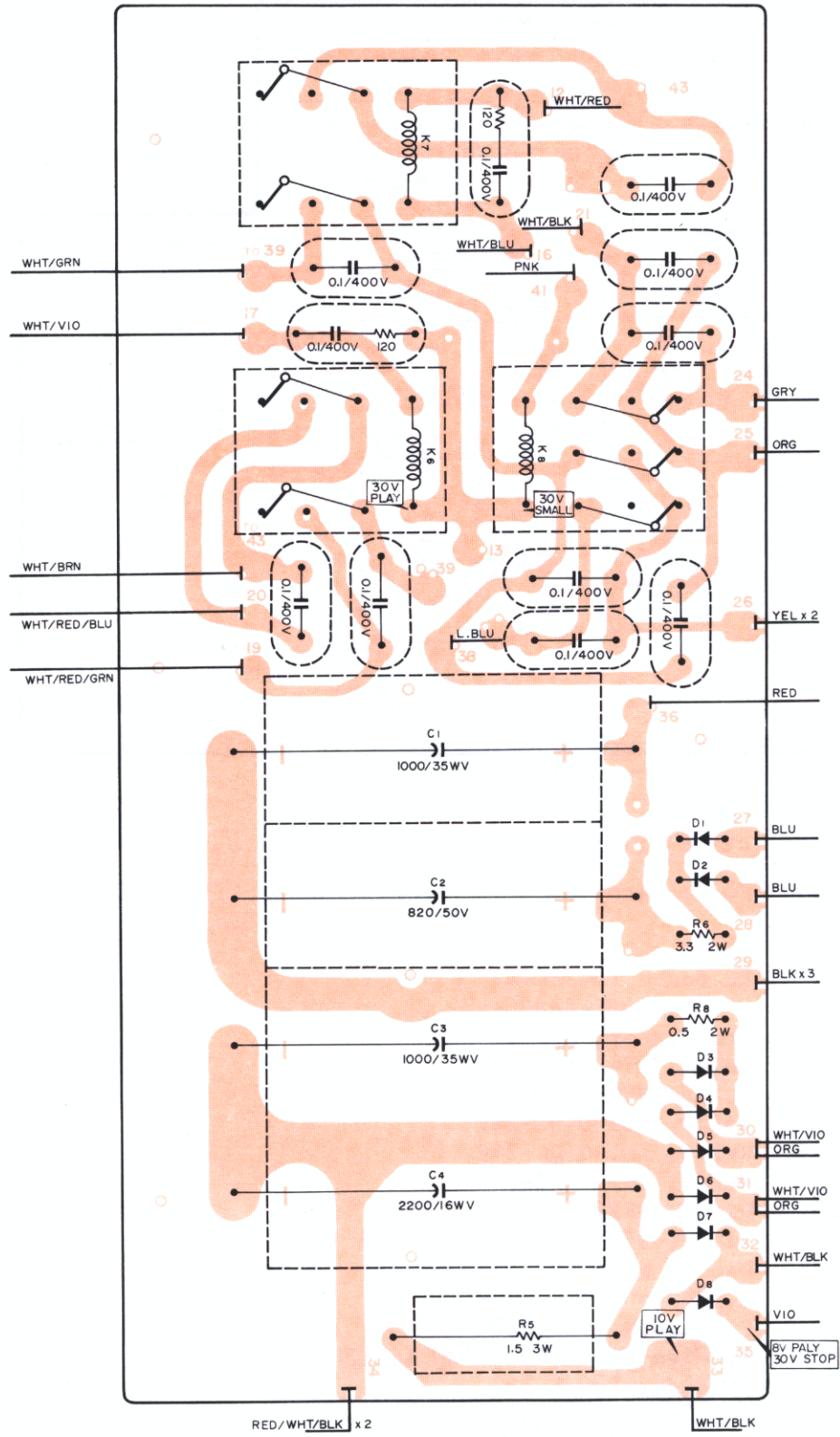
CIRCUIT REF.NO.	ORIGINAL PARTS NO.	DESCRIPTION	REVISION
	50490912	PC Bd. Assy, Control Relay-1	(A-3300S)
	50491190	" , "	(A-2300S)
	50484070	PC Board	
K9	50611130	Relay, LC1-C DC-12V	
D16•D17	50422560	Diode, SIB01-02	
R11	50527140	R, Metallized 470Ω 3W	
R12	50526140	R, Wire wound 47Ω 1/2W	
C8	50554890	C, Elec. 1000μF 16V	
C11	50555110	C, Elec. 1000μF 35V	
CR121	50529050	Spark Killer, 0.1μF+120Ω 400V	

## 5. CONTROL RELAY-2



CIRCUIT REF. NO.	ORIGINAL PARTS NO. DESCRIPTION	REVISION
	50491020 PC Bd. Assy, Control Relay-2 (A-2300S)	51680651 (From SER.No. 9681)
	50490890 " " (A-3300S)	
	50484130 PC Board (A-2300S)	51670621 (From SER.No. 9681)
	" " (A-3300S)	
Q1	50424620 Transistor, 2SD235-Y	
K1	50611180 Relay, MY4-0 DC-24V	
K2	50611120 Relay, MY3-0 DC-24V	
K3	50611140 Relay, MY2-0 DC-24V	
K4	50611150 Relay, LC1-C DC-24V	
K5	50611170 Relay, LC1-C DC-24V	
D9•10•11	50422560 Diode, SIB01-02	
D12•13	50422560 Diode, SIB01-02	
D14•15	50422560 Diode, SIB01-02	
R9	50574740 R, Carbon 470Ω 1/2W	
R10	50570560 R, Carbon 10kΩ 1/2W	
R13	50525720 R, Wire Wound 10Ω 1/2W (A-3300S only)	
C7	50554630 C, Elec. 100μF 35V	
C9	50554620 C, Elec. 470μF 35V (A-3300S only)	
C10•12	50554980 C, Elec. 2.2μF 50V	
C101~105	50549920 C, Mylar 0.1μF 400V	
C107~113	50549920 C, Mylar 0.1μF 400V	
VR102~108	50529050 Spark Killer 0.1μF+120Ω 400V	

# 6. POWER SUPPLY

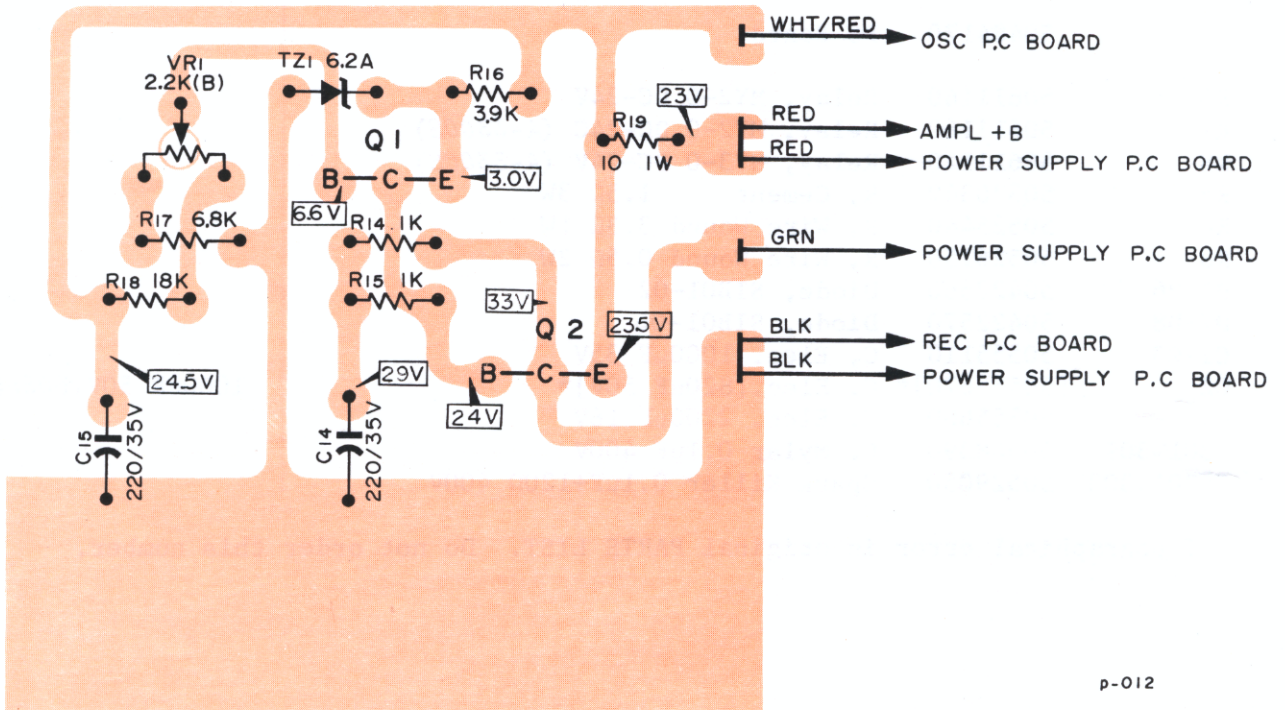


P-017

CIRCUIT REF.NO.	ORIGINAL PARTS NO.	DESCRIPTION	REVISION
	50490921	PC Bd. Assy, Power Supply (A-3300S)	
	50491031	" , " (A-2300S)	
	50484170	PC Board	
K6	50611140	Relay, MY2-0 DC-24V	
K7	50611160	Relay, MY2-0 DC-24C (A-3300S)	
K8	50611120	Relay, MY3-0 DC-24V (A-3300S)	
R5	50520340	R, Cement 1.5Ω 3W	
R6	50525440	R, Wire Wound 3.3Ω 1W	
R8	50526150	R, Wire Wound 0.5Ω 2W	
D1~D6	50422560	Diode, SIB01-02	
D7•D8	50422570	Diode, SIB01-06	
C1•C3	50555110	C, Elec. 1000μF 35V	
C2	[50555670]*	C, Elec.[820μF 50V]*	1000μF 50V(50555700)
C4	50555660	C, Elec. 2200μF 16V	
C301~309	50548390	C, Mylar 0.1μF 400V	
CR301~303	50529050	Spark Killer 0.1μF+120Ω 400V	

\* Typographical error in original PARTS LIST. Do not order this number.

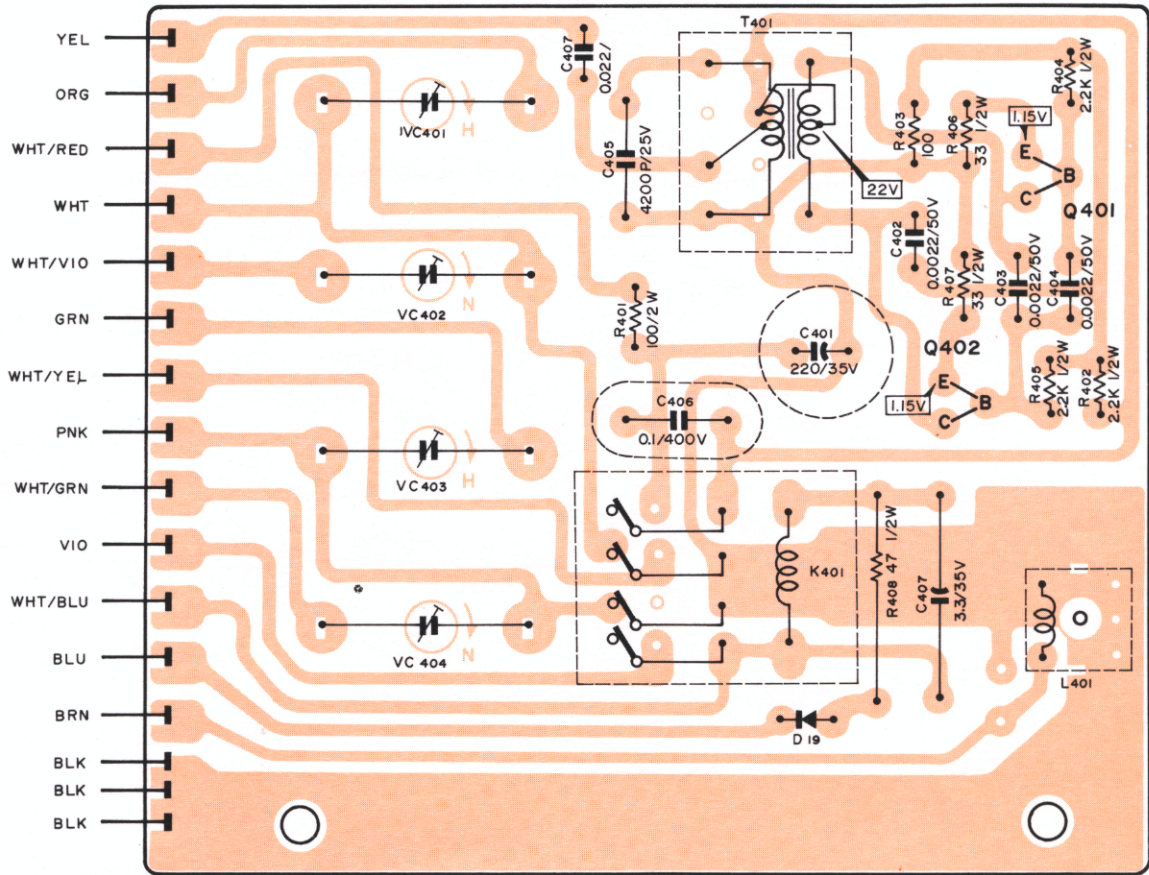
## 7. VOLTAGE REGULATOR



p-012

CIRCUIT REF.NO.	ORIGINAL PARTS NO.	DESCRIPTION	REVISION
	50491050	PC Bd. Assy, Voltage Regulator	
	50484200	PC Board	
Q1	50423510	Transistor, 2SC733-Y	
Q2	50424270	Transistor, 2SD317-P	
VR1	50533640	Trimmer Resistor, 2.2k $\Omega$ (B)	
TZ1	50422580	Diode, 02Z 6.2A	
R14	50515340	R, Carbon 1k $\Omega$ 1/4W	
R15	50515340	R, Carbon 1k $\Omega$ 1/4W	
R16	50515430	R, Carbon 3.9k $\Omega$ 1/4W	
R17	50515490	R, Carbon 6.8k $\Omega$ 1/4W	
R18	50515520	R, Carbon 18k $\Omega$	
R19	50526120	R, Wire Wound 10 $\Omega$ 1W	
C14	50554380	C, Elec. 220 $\mu$ F 35V	
C15	50554380	C, Elec. 220 $\mu$ F 35V	

## 8. BIAS OSCILLATOR



P-016

CIRCUIT REF.NO.	ORIGINAL PARTS NO.	DESCRIPTION	REVISION
	50490870	PC Bd. Assy, Bias Oscillator	
	50484110	PC Board	
Q401•402	[50423850]*	Transistor[2SC971]*	2SC1384 (50424750)
T401	50563170	Coil, Oscillator	
K401	50611180	Relay, DC 24V, MY4-0 4T	
D19	50422560	Diode, SIB01-02	
VC401/402	50547070	Trimmer Capacitor, 80pF	
VC403/404	50547070	Trimmer Capacitor, 80pF	
C401	50554380	C, Elec. 220μF 35V	
C402/403	50548760	C, Mylar 0.0022μF 50V	
C404	50548810	C, Mylar 0.0033μF 50V	
C405	50544040	C, Polyst. 4200pF 250V	
C406	50549920	C, Elec. 0.1μF 400V	
C406	50548740	C, Mylar 0.022μF 150V	
C407	50555680	C, Elec. 3.3μF 35V	
R401	50526050	R, Wire Wound 33Ω 2W	
R402	50516380	R, Carbon 2.2kΩ 1/2W	
R403	50516220	R, Carbon 100Ω 1/2W	
R404•405	50515380	R, Carbon 2.2kΩ 1/4W	
R406•407	50516150	R, Carbon 33Ω 1/2W	
R408	50514860	R, Carbon 47Ω 1/2W	
L401	50566680	Coil, Dummy Load 2.1mH	

\* Typographical error in original PARTS LIST. Do not order this number.