

PARTS LIST

A-3440

4-Channel Multitrack Tape Deck with SIMUL-SYNC



TABLE OF CONTENTS

1. EXPLODED VIEWS AND PARTS LIST 2~11, 19

2. PC BOARD SECTION

2-1. MOTHER PCB ASSY	12, 20
2-2. REC/PLAY AMP PCB ASSY	13, 20
2-3. PHONE AMP PCB ASSY	14, 21
2-4. OSC PCB ASSY	14, 22
2-5. SINC EQ PCB ASSY	15, 22
2-6. BIAS ADJ PCB ASSY	15, 23
2-7. FUNCTION PCB ASSY	16, 23
2-8. POWER SUPPLY PCB ASSY	17, 24
2-9. CONTROL PCB ASSY	18, 25
2-10. STOP SENSOR PCB ASSY	19, 26

INCLUDED ACCESSORIES 26

ASSEMBLING HARDWARE CODING LIST 27

PARTS ORDERING INFORMATION

Spare parts are available through your nearest TEAC Authorized Service Center or directly from the TEAC office, the address of which is written on the back cover. When ordering parts always include the following information:

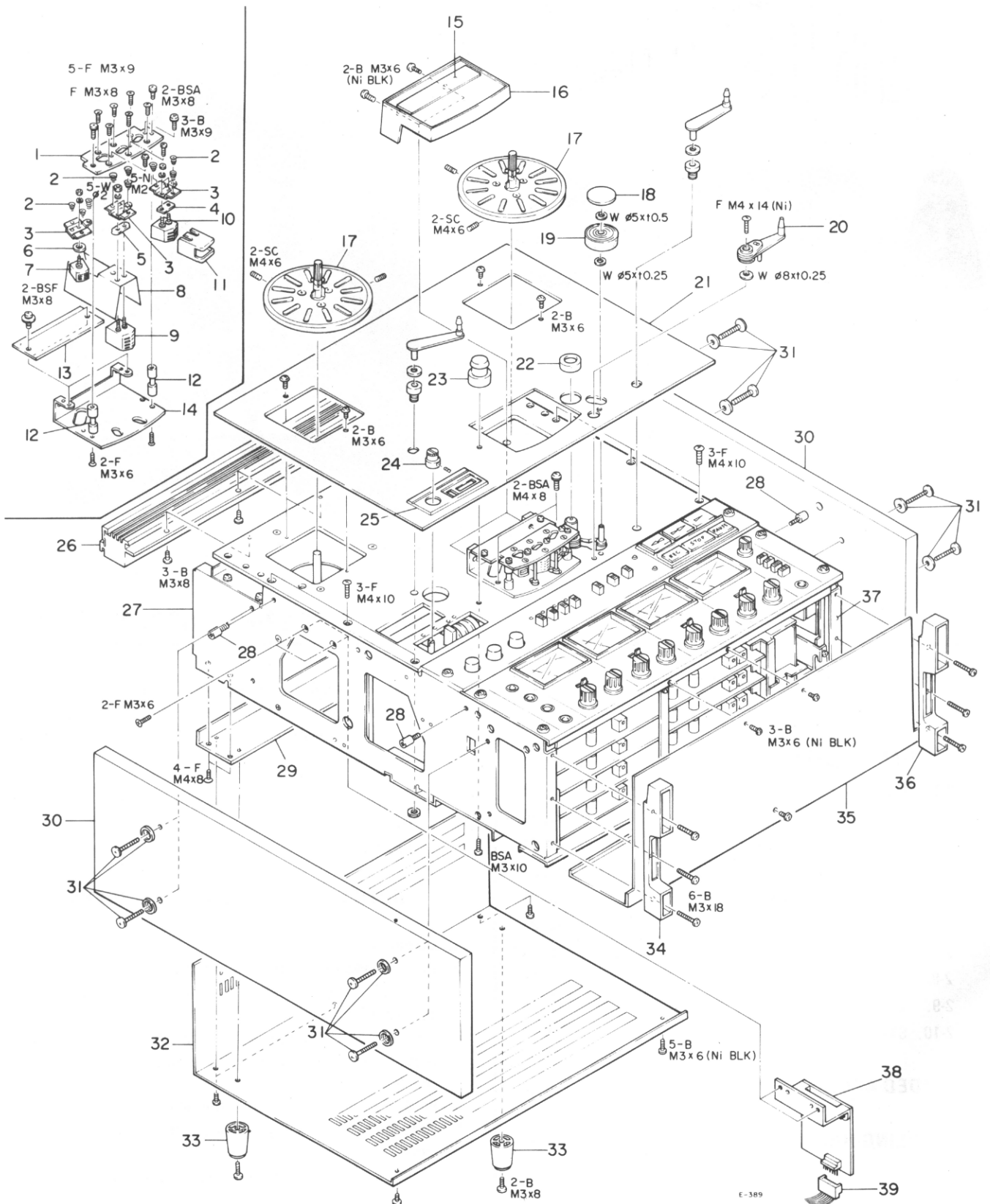
- | | |
|--------------|--------------------|
| 1. MODEL | 4. DESCRIPTION |
| 2. REF. NO. | 5. UNIT SERIAL NO. |
| 3. PARTS NO. | 6. MANUAL CODE NO. |

NOTICE REGARDING PARTS ORDERS

1. Do not order by REF. NO. only.
2. In some instances, individual minor parts are not available. In such a case, the entire assembly including the part requested will be sent to you.
3. Parts are identical between the different models with the exceptions as coded by the designations in the REMARKS column.
4. PC Boards shown viewed from foil side.
5. Parts marked with * require longer delivery time than regular parts.
6. The 30-4 is JAPAN Domestic model of the A-3440.

1. EXPLODED VIEWS AND PARTS LIST

EXPLODED VIEW-1

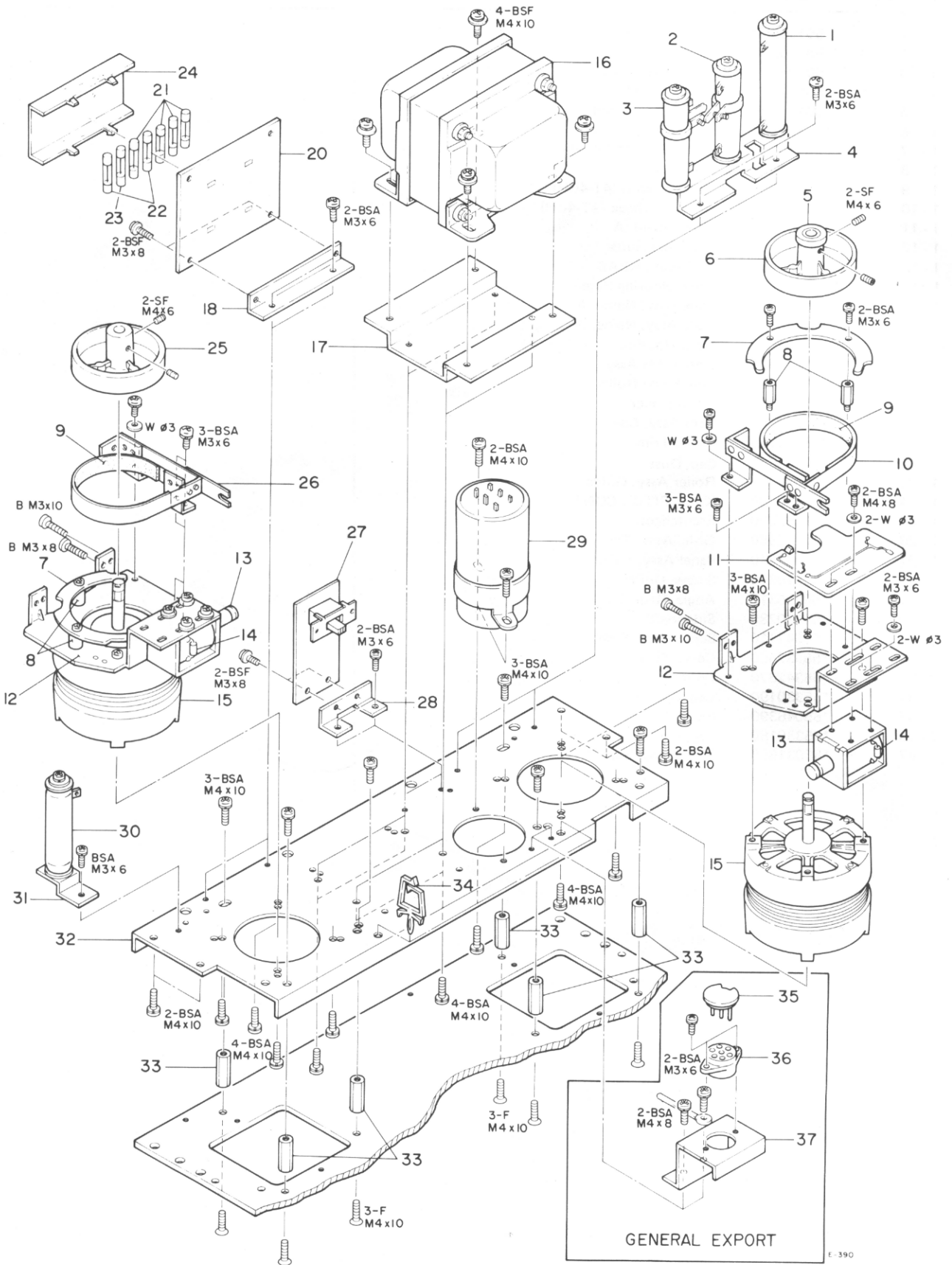


E-389

EXPLODED VIEW

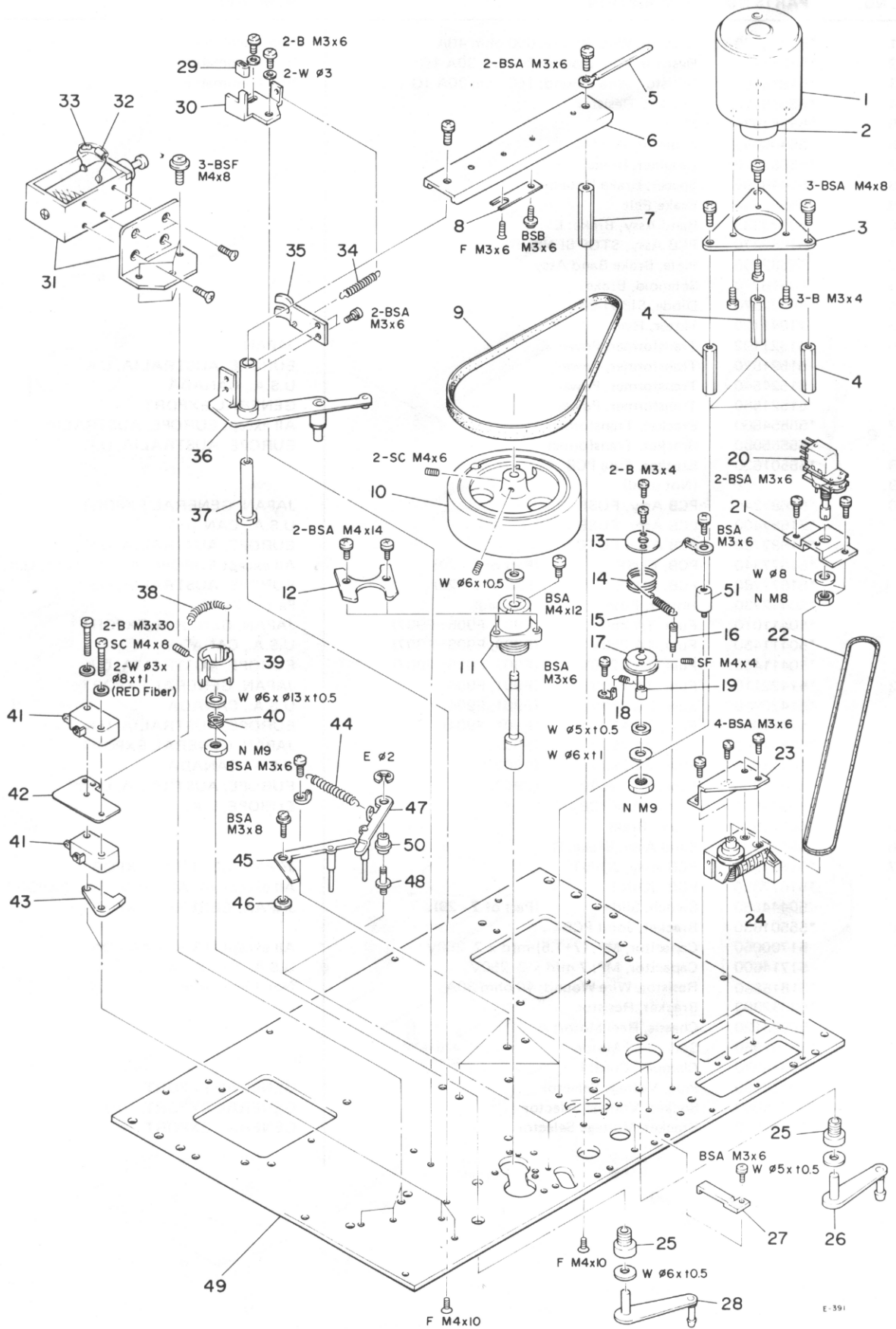
REF. NO.	PARTS NO.	DESCRIPTION	REMARKS
1 - 1	50134400	Plate, Head Base	JAPAN All except JAPAN
1 - 2	50220500	Spring, B	
1 - 3	50134371	Plate, E.R.P. Head	
1 - 4	55501511	Spacer, Head	
1 - 5	50134390	Spacer, 4ch. Head	
1 - 6	*50136591	Spacer, Erase Head	
1 - 7	50664111	Head, Erase (4T-4CH)	
1 - 8	*55501590	Plate, Shield	
1 - 9	50664251	Head, Record (4T-4CH)	
1 - 10	*50664590	Head, Playback (4T-4CH)	
1 - 11	*50133891	Head Shield, A	
1 - 12	*50182672	Pin, Tape Guide	
1 - 13	*51687380	PCB Assy, HEAD	
1 - 14	*55531001	Plate, Housing Base	
1 - 15	55046510	Plate Assy, Name; A	
	55046520	Plate Assy, Name; B	
1 - 16	55331560	Head Housing	
1 - 17	55040871	Reel Table Assy	
1 - 18	50142180	Cap, Pinch Roller	
1 - 19	50141751	Pinch Roller	
1 - 20	*55030241	Arm Assy, Cue	
1 - 21	*55523070	Panel, Trim	
1 - 22	*50125351	Cap, Dust	
1 - 23	55046441	Roller Assy, Guide	
1 - 24	55449200	Knob, PITCH CONT	
1 - 25	*55345920	Escutcheon	
1 - 26	*50112980	Grille Assy, Top	
1 - 27	*55031640	Panel Assy, Side; L	
1 - 28	*55810370	Screw, Guide	
1 - 29	*50235312	Angle, Rear Cover	
1 - 30	55430280	Sideboard	
1 - 31	55044110	Screw Assy, Sideboard	
1 - 32	*55532580	Cover, Rear	
1 - 33	*55342670	Foot	
1 - 34	*55330190	Leg, Case; L	
1 - 35	*55046390	Cover Assy, Bottom	
1 - 36	*55330180	Leg, Case; R	
1 - 37	*55031650	Panel Assy, Side; R	

EXPLODED VIEW-2



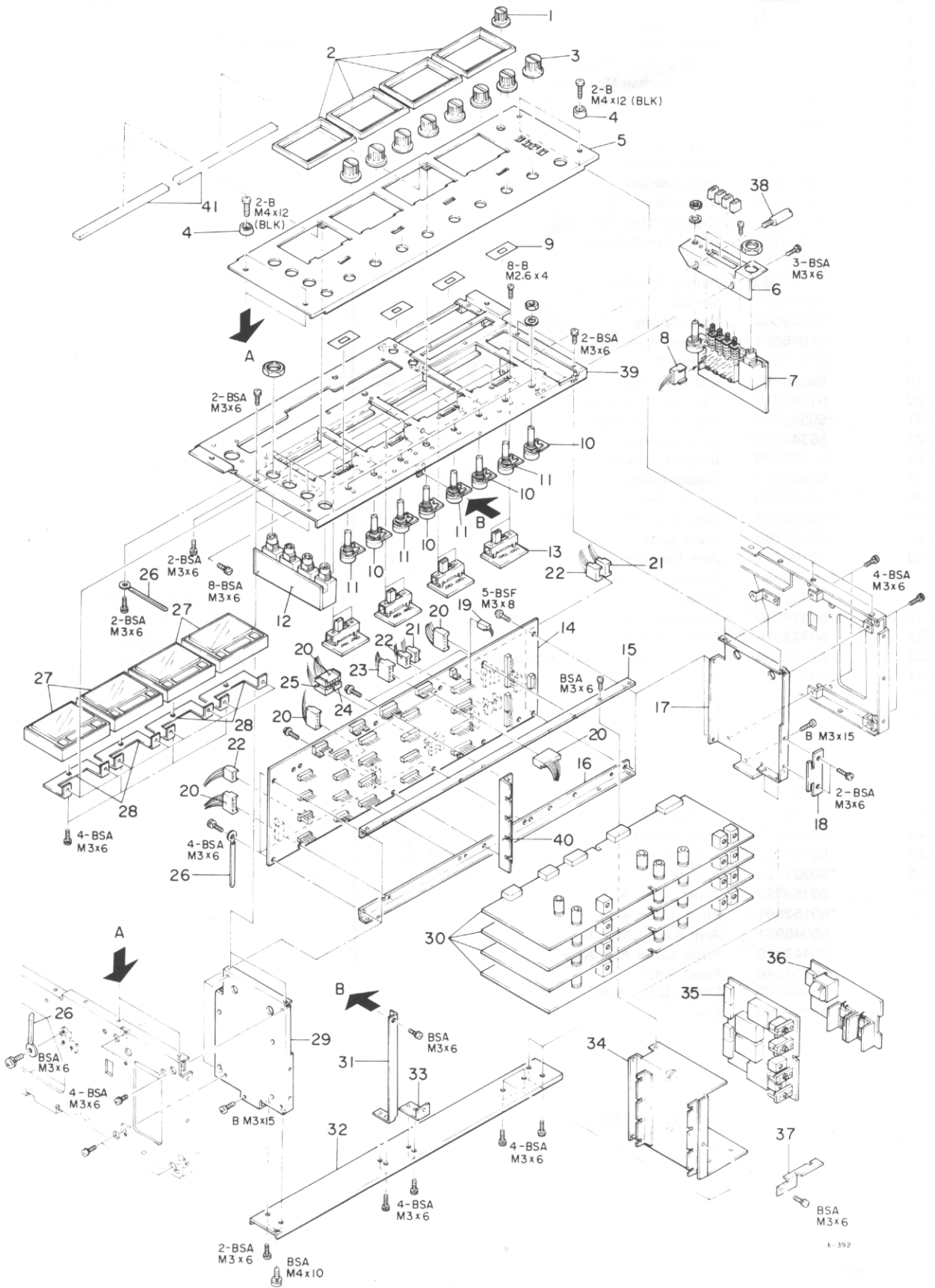
REF. NO.	PARTS NO.	DESCRIPTION	REMARKS
2 - 1	*51815900	Resistor, Wire Wound; 600 ohm 40A	Non Flammable
2 - 2	*51815930	Resistor, Wire Wound; 30 ohm 30A 1G	Non Flammable
2 - 3	*51815960	Resistor, Wire Wound; 150 ohm 30A 1G	Non Flammable
2 - 4	*55555860	Bracket, Resistor	
2 - 5	*55341930	Magnet	
2 - 6	55400650	Drum, Brake; MS	
2 - 7	*55552720	Retainer, Brake	
2 - 8	*55449290	Spacer, Brake Retainer	
2 - 9	55552740	Brake Felt	
2 - 10	50173333	Band Assy, Brake; L	
2 - 11	*51687370	PCB Assy, STOP SENSOR	
2 - 12	55532590	Plate, Brake Band Assy; L	
2 - 13	50616770	Solenoid, Brake	
2 - 14	50422570	Diode, SIB01-06	
2 - 15	71041120	Motor, Reel	
2 - 16	51521192	Transformer, Power	JAPAN
	51521670	Transformer, Power	EUROPE, AUSTRALIA, U.K.
	51521540	Transformer, Power	U.S.A., CANADA
	51521550	Transformer, Power	GENERAL EXPORT
2 - 17	*55554860	Bracket, Transformer	All except EUROPE, AUSTRALIA, U.K.
	*55555080	Bracket, Transformer	EUROPE, AUSTRALIA, U.K.
2 - 18	*55501620	Bracket, Fuse PCB	
2 - 19		(Not used)	
2 - 20	*51687340	PCB Assy, FUSE	JAPAN, GENERAL EXPORT
	*51687400	PCB Assy, FUSE	U.S.A., CANADA
	*51687780	PCB Assy, FUSE	EUROPE, AUSTRALIA, U.K.
	*51677340	PCB, FUSE (Part of 2 - 20)	All except EUROPE, AUSTRALIA, U.K.
	*51677780	PCB, FUSE (Part of 2 - 20)	EUROPE, AUSTRALIA, U.K.
	*50412730	Holder, Fuse (14 used)	Part of 2 - 20
2 - 21	*50411010	Fuse, 1A 250V (F903, F905~F907)	JAPAN, GENERAL EXPORT
	*50411450	Fuse, 1A 250V (F903, F905~F907)	U.S.A., CANADA
	*50411400	Fuse, 1AT 250V (F903, F905~F907)	EUROPE, AUSTRALIA, U.K.
2 - 22	*51422110	Fuse, 3A 250V (F901, F904)	JAPAN, GENERAL EXPORT
	*51420910	Fuse, 3A 250V (F901, F904)	U.S.A., CANADA
	*51421900	Fuse, 2.5AT 250V (F901, F904)	EUROPE, AUSTRALIA, U.K.
2 - 23	*50411140	Fuse, 2A 250V (F902)	JAPAN, GENERAL EXPORT
	*50411440	Fuse, 2A 250V (F902)	U.S.A., CANADA
	*51421890	Fuse, 2AT 250V (F902)	EUROPE, AUSTRALIA, U.K.
2 - 24	*55344560	Gover, Fuse PCB	EUROPE, U.K.
2 - 25	50173571	Drum, Brake	
2 - 26	50173393	Band Assy, Brake; R	
2 - 27	*51687350	PCB Assy, JOINT	JAPAN, GENERAL EXPORT
	*51677350	PCB, JOINT	All except JAPAN, GENERAL EXPORT
	50444560	Switch, Slide (Part of 2 - 29)	JAPAN, GENERAL EXPORT
2 - 28	*55501630	Bracket, Joint PCB	
2 - 29	51700050	Capacitor, MP; (7+1.5) mfd x 2 250V	All except U.S.A., CANADA
	51714600	Capacitor, MP; 7 mfd x 2 250V	U.S.A., CANADA
2 - 30	*51815860	Resistor, Wire Wound; 40 ohm 30A	Non Flammable
2 - 31	*50332900	Bracket, Resistor	
2 - 32	*55523120	Chassis, Reel Motor; A	
2 - 33	*50161950	Stay, Reel Motor	
2 - 34	*55344930	Clamper, Cord; I	
2 - 35	*50432990	Plug, Voltage Selector	GENERAL EXPORT
2 - 36	*50435060	Socket, Voltage Selector	GENERAL EXPORT
2 - 37	*55501580	Bracket, Voltage Selector	GENERAL EXPORT

EXPLODED VIEW-3



REF. NO.	PARTS NO.	DESCRIPTION	REMARKS
3 - 1	71050160	Motor Assy, Capstan; C	Part of 3 - 1
3 - 2	55446260	Pulley, Motor; A	
3 - 3	*55549970	Plate, Capstan Motor	
3 - 4	*55449170	Stay, Capstan Motor; A	
3 - 5	*55810380	Clam, Cord; A ϕ 4	
3 - 6	*50277151	Angle, Thrust	
3 - 7	*50123860	Stay, Flywheel	
3 - 8	*50277233	Plate, Thrust	
3 - 9	55344680	Belt, Capstan	
3 - 10	*50123802	Flywheel	
3 - 11	50120451	Capstan Assy	
3 - 12	*50142190	Plate, Arm Support	
3 - 13	*55555130	Plate	
3 - 14	*55241880	Spring, Friction	
3 - 15	*55203670	Spring	
3 - 16	*55449060	Stay, Spring	
3 - 17	*55046551	Stopper Assy, Tension Arm	
3 - 18	*50221110	Spring, B	
3 - 19	*50276990	Collar, Rubber	
3 - 20	51502210	Var. Res., 5 k ohm - B	
3 - 21	*55555010	Bracket, Var. Res.	
3 - 22	55340110	Belt, Counter	
3 - 23	*50332520	Bracket, Counter	
3 - 24	50585140	Counter Assy	
3 - 25	*55400660	Holder, Arm; B	
3 - 26	55046430	Arm Assy, Tension; Left	
3 - 27	*55556180	Plate, Lifter	
3 - 28	50180432	Arm Assy, Tension; Right	
3 - 29	*50275690	Cushion, Rubber	
3 - 30	*55551910	Stopper, Pinch Roller	
3 - 31	51630040	Solenoid, Pinch Roller	
3 - 32	50422570	Diode, S1B01-06	
3 - 33	*51845880	Resistor, Meta.Film; 100 ohm 1W	
3 - 34	*50220441	Spring	
3 - 35	*50221152	Spring, Pressure	
3 - 36	*50140237	Arm Assy, Pinch Roller	
3 - 37	*50141821	Pivot, Roller Arm	
3 - 38	*55203110	Spring, Right Tension	
3 - 39	*50183921	Drum, Tension Arm	
3 - 40	*55203680	Spring	
3 - 41	51300010	Switch, Micro	
3 - 42	*50183932	Plate, Insulator	
3 - 43	*50182731	Limit Stop, Tension Arm	
3 - 44	*50221100	Spring, A	
3 - 45	50150242	Arm, Lifter; A	
3 - 46	*50152501	Pivot, Lifter Arm	
3 - 47	55046951	Arm Assy, Lifter; B	
3 - 48	*55449870	Pivot, Lifter Arm Assy	
3 - 49	*50114248	Panel, Top	
3 - 50	*55449880	Collar, Lifter Arm	
3 - 51	*55449290	Stay	

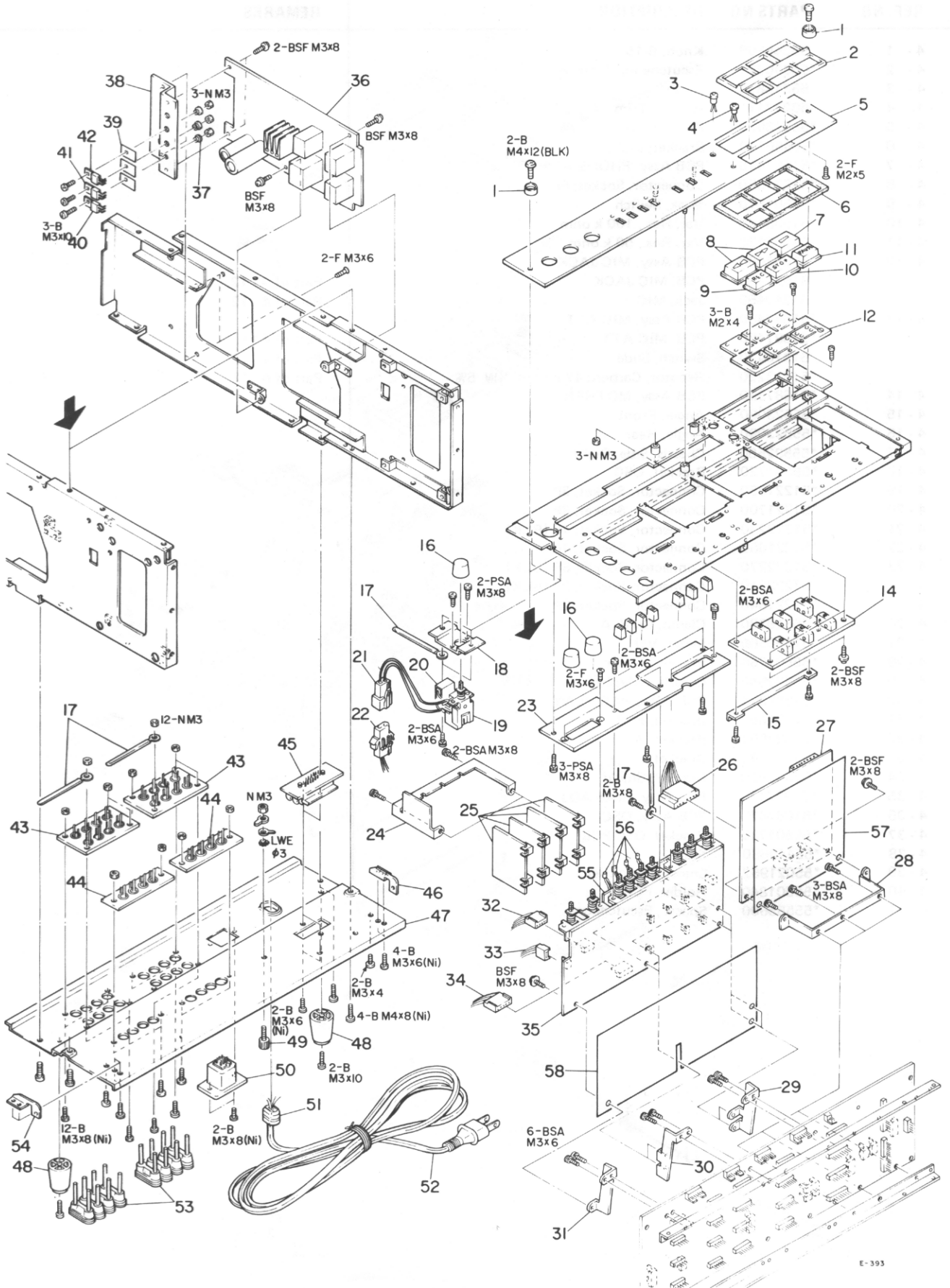
EXPLODED VIEW-4



EXPLODED VIEW

REF. NO.	PARTS NO.	DESCRIPTION	REMARKS
4 - 1	55345860	Knob, B-15	
4 - 2	*55330281	Escutcheon, Meter; A	
4 - 3	55345870	Knob	
4 - 4	50277111	Washer, Trim	
4 - 5	*55523020	Panel, Amplifier	
4 - 6	*55556140	Bracket, Jack; A	
4 - 7	*51687410	PCB Assy, PHONE AMP	
4 - 8	*51221680	Connector, Socket; 6P	
4 - 9	*55501570	Mask, Switch	
4 - 10	51502140	Var. Res., 100 k ohm	
4 - 11	51502130	Var. Res., 50 k ohm	
4 - 12	*51687460	PCB Assy, MIC JACK	
	*51677460	PCB, MIC JACK	Part of 4 - 12
	51240450	Jack, MIC	Part of 4 - 12
4 - 13	*51687480	PCB Assy, MIC ATT	
	*51687480	PCB, MIC ATT	Part of 4 - 13
	51310420	Switch, Slide	Part of 4 - 13
	*51813220	Resistor, Carbon; 47 k ohm 1/4W 5%	Part of 4 - 13
4 - 14	*51687390	PCB Assy, MOTHER	
4 - 15	*55523080	Angle, Front	
4 - 16	*55523090	Angle, Rear	
4 - 17	*55532550	Chassis, Side; Right	
4 - 18	*55501720	Bracket, OSC	
4 - 19	*51221650	Connector, Socket; 3P	
4 - 20	*51221700	Connector, Socket; 8P	
4 - 21	*51222230	Connector, Socket; 4P (BLK)	
4 - 22	*51221660	Connector, Socket; 4P	
4 - 23	*51222270	Connector, Socket; 8P (BLK)	
4 - 24	*51222210	Connector, Socket; 2P (BLK)	
4 - 25	*51221640	Connector, Socket; 2P	
4 - 26	*55810380	Clamp, Cord; A	
4 - 27	51650560	Meter, VU	
4 - 28	*55501760	Bracket, Meter	
4 - 29	*55532540	Chassis, Side; Left	
4 - 30	*51687311	PCB Assy, REC/PLAY	
4 - 31	*55501860	Bracket, PCB; C	
4 - 32	*55523051	Bracket, A	
4 - 33	*55501740	Bracket	
4 - 34	*55532560	Bracket, Shield	
4 - 35	*51687470	PCB Assy, BIAS ADJ	
4 - 36	*51687420	PCB Assy, OSC	
4 - 37	*55501730	Bracket, OSC PCB	
4 - 38	*55449680	Stay	
4 - 39	*55021962	Chassis, Amplifier	
4 - 40	*55501840	Holder, PCB; A	
4 - 41	*55555600	Spacer, Escutcheon	

EXPLODED VIEW-5

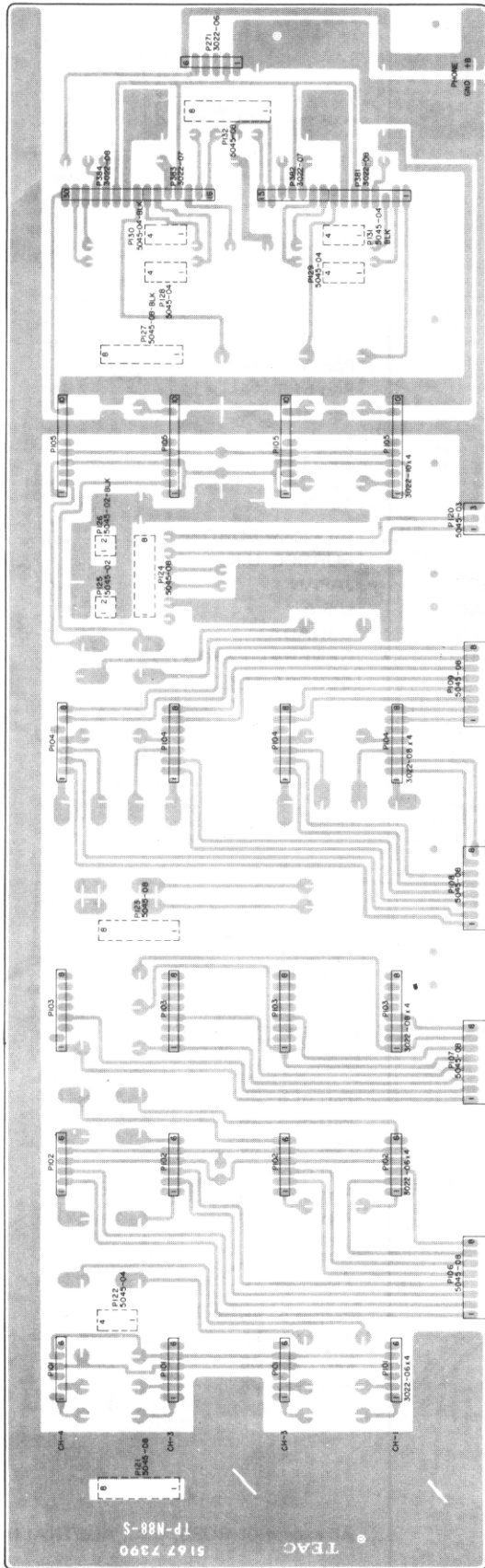


REF. NO.	PARTS NO.	DESCRIPTION	REMARKS
5 - 1	*50277111	Washer, Trim	
5 - 2	55320060	Escutcheon, Control Button	
5 - 3	51430540	LED (Green)	
5 - 4	51430530	LED (Red)	
5 - 5	*55523001	Panel, Control	
5 - 6	*55343751	Spacer, Rubber	
5 - 7	*55340720	Button, C	
5 - 8	*55340730	Button, D	
5 - 9	*55300731	Button, REC	
5 - 10	*55340740	Button, STOP; B	
5 - 11	*55300741	Button, PAUSE	
5 - 12	*55556010	Hinge, Button; B	
5 - 13		(Not used)	
5 - 14	*51687360	PCB Assy, SWITCH	
	*51677360	PCB, SWITCH	Part of 5 - 14
	50446330	Switch, Micro	Part of 5 - 14
	*51220120	Connector, 10P	Part of 5 - 14
5 - 15	*55551770	Bracket, SWITCH PCB	
5 - 16	55343820	Knob, A	
5 - 17	*55810380	Clamp, Cord; A	
5 - 18	*55501780	Bracket, Power Switch	
5 - 19	51340340	Switch, Push	All except EUROPE, U.K.
	51340110	Switch, Push	EUROPE, U.K.
5 - 20	50529050	Spark Killer, 0.1 mfd + 120 ohm 400V AC	JAPAN
	50529060	Spark Killer, 0.33 mfd + 120 ohm 125V AC	U.S.A.
	50529110	Spark Killer, 0.33 mfd + 120 ohm 250V AC	CANADA
	50529070	Spark Killer, 0.01 mfd + 300 ohm 400V AC	GENERAL EXPORT, AUSTRALIA
	50529080	Spark Killer, 4700 pfd 250V AC	EUROPE, U.K.
5 - 21	*51220930	Connector Housing, Plug; 2P	
5 - 22	*51220920	Connector Housing, Socket; 2P	
5 - 23	*55532571	Bracket, Switch	
2 - 24	*55501670	Bracket, SINC EQ PCB	
5 - 25	*51687430	PCB Assy, SINC EQ	
5 - 26	*50438470	Connector, Housing, 10P	
5 - 27	*51687511	PCB Assy, CONTROL	
5 - 28	*55501701	Bracket, CONTROL PCB; C	
5 - 29	*55501800	Bracket, MOTHER PCB; B	
5 - 30	*55501810	Bracket, MOTHER PCB; C	
5 - 31	*55501790	Bracket, MOTHER PCB; A	
5 - 32	*51221680	Connector, Socket; 6P	
5 - 33	*51221650	Connector, Socket; 3P	
5 - 34	*51221700	Connector, Socket; 8P	
5 - 35	*51687440	PCB Assy, FUNCTION	
5 - 36	*51687330	PCB Assy, POWER SUPPLY	
5 - 37	*50332950	Tube, Insulating	Part of 5 - 36
5 - 38	*55531320	Heat Sink	Part of 5 - 36
5 - 39	*50332910	Plate, Insulating	Part of 5 - 36
5 - 40	*51450870	Transistor, 2SD313E	Part of 5 - 36
5 - 41	*51451290	Transistor, 2SB507E	Part of 5 - 36
5 - 42	*51451280	Transistor, 2SD613E	Part of 5 - 36
5 - 43	*51240530	Jack, Pin; 8P	
5 - 44	*51240520	Jack, Pin; 4P	
5 - 45	*21687320	PCB Assy, 12P CONNECTOR	
	*51677320	PCB, 12P CONNECTOR	Part of 5 - 45
	*50542040	Capacitor, Ceramic; 0.01 mfd 50V	Part of 5 - 45
	*55540990	Bracket, Connector	Part of 5 - 45
	*50438411	Connector, Socket; 12P	Part of 5 - 45
5 - 46	*55501690	Hinge, Connector Chassis; R	
5 - 47	*55523060	Chassis, Connector	
5 - 48	*55342670	Foot	
5 - 49	*50454071	Post, Grounding	
5 - 50	*51223390	Connector, Socket; 6P	
5 - 51	*55300470	Strain Relief, AC Power Cord	All except EUROPE, U.K., AUSTRALIA

(Continued on Page.19)

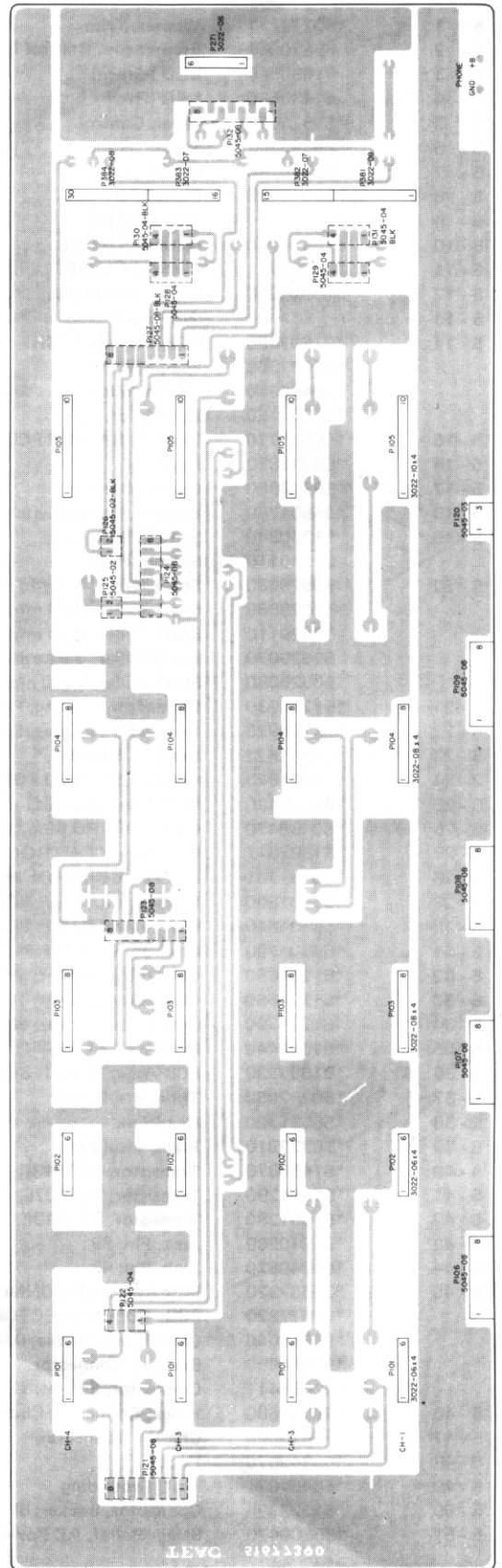
2. PC BOARD SECTION (Diagram)

2-1. MOTHER PCB ASSY



BOTTOM VIEW

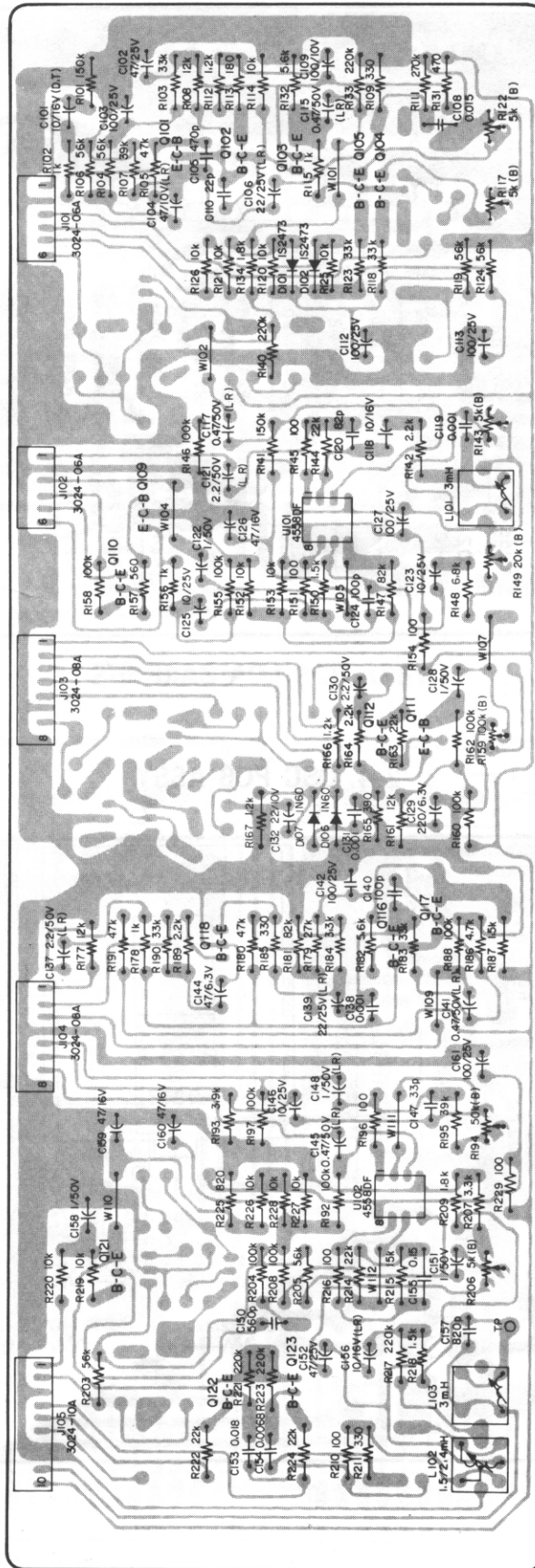
P-452



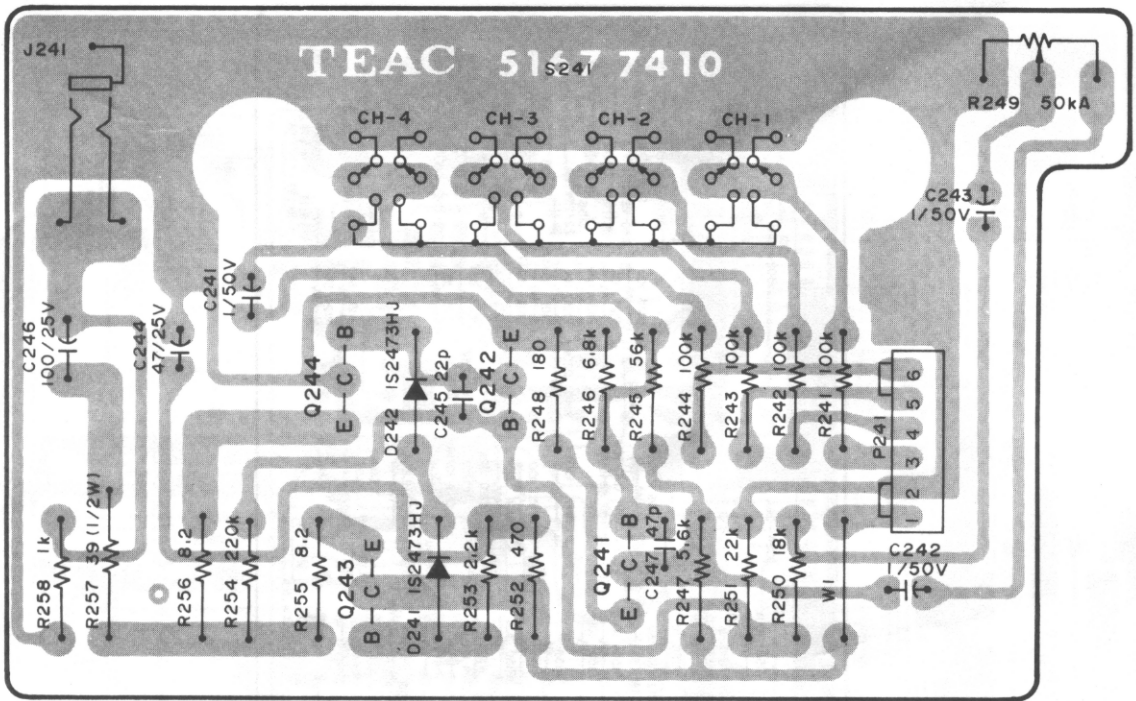
TOP VIEW

P-452

2-2. REC/PLAY AMP PCB ASSY

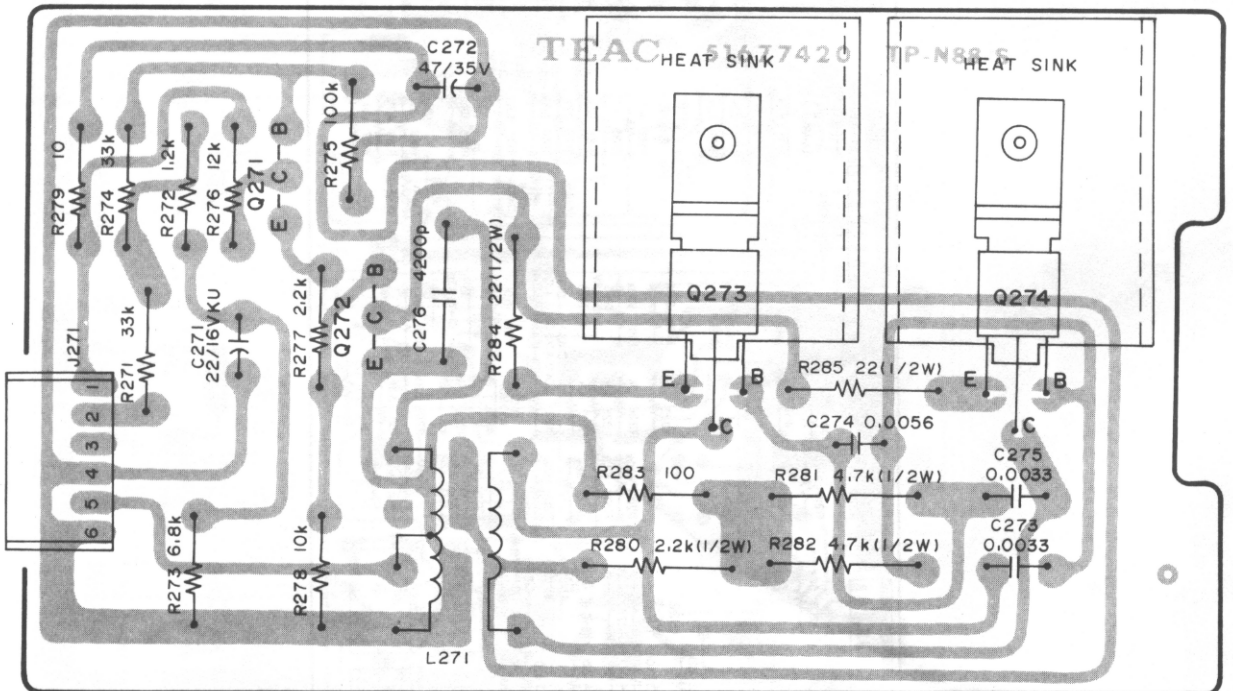


2-3. PHONE AMP PCB ASSY



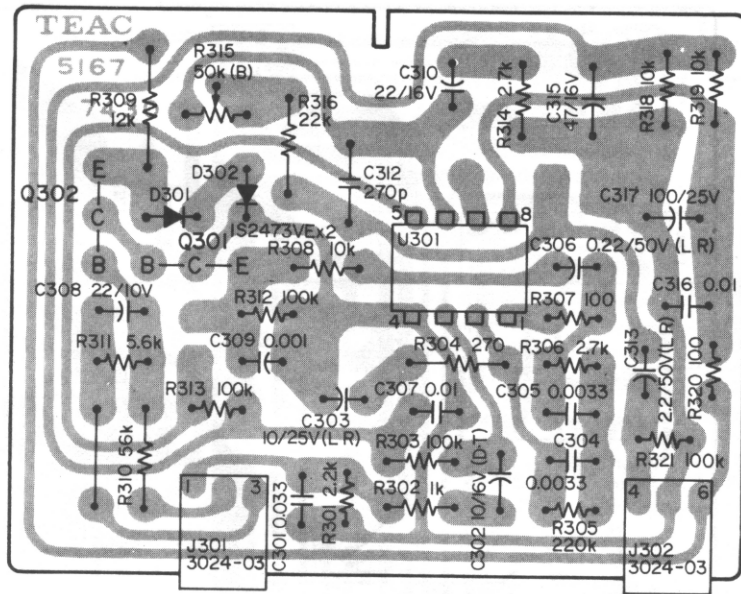
P-454

2-4. OSC PCB ASSY



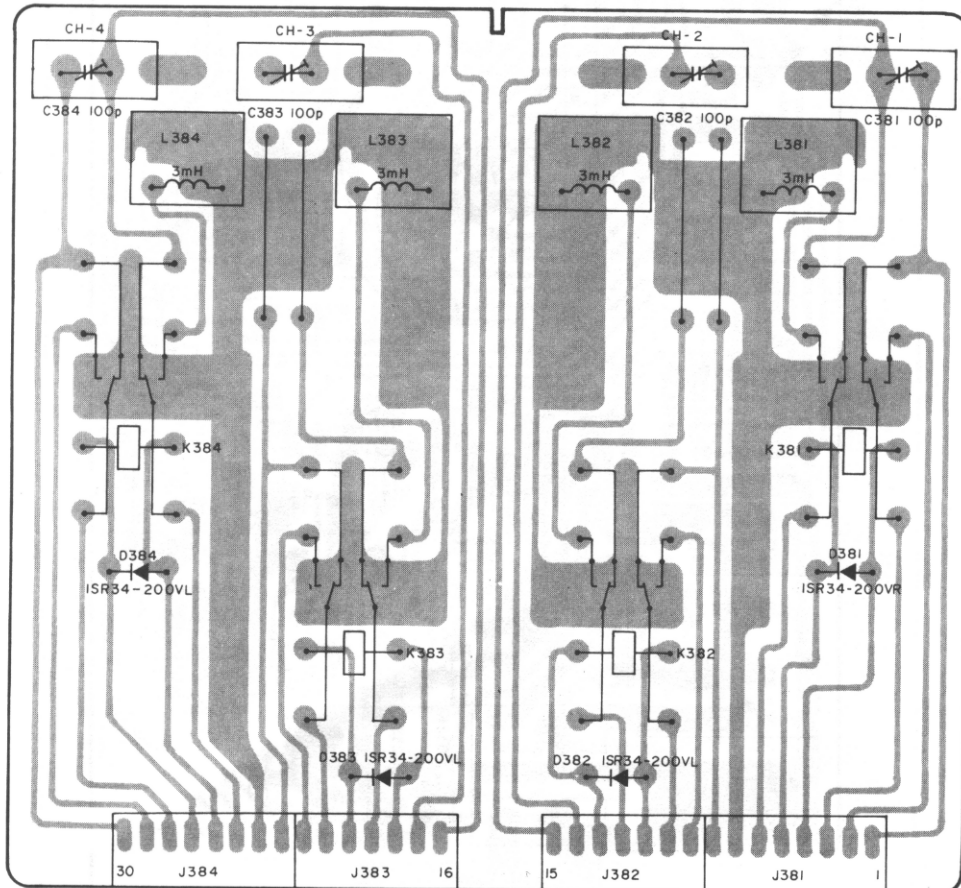
P-455

2-5. SINC EQ PCB ASSY



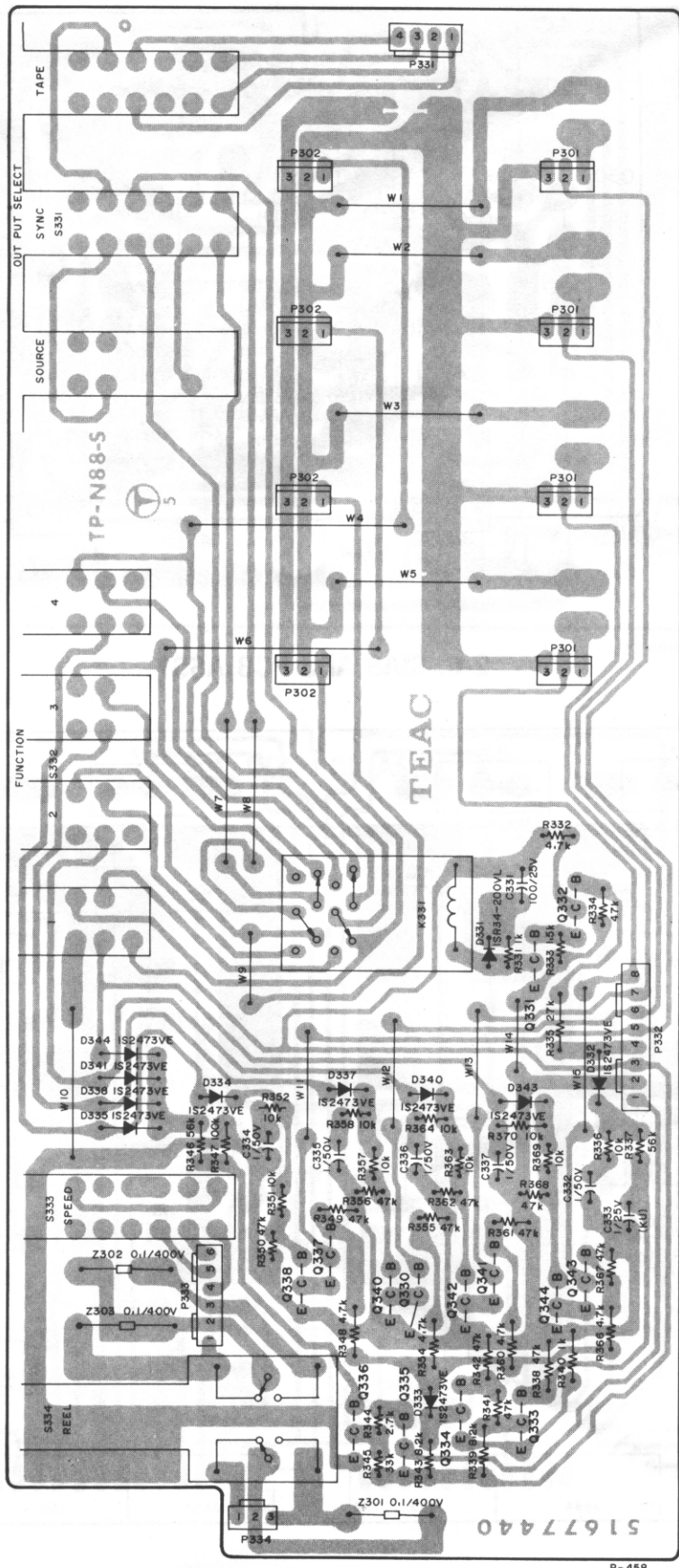
P-456

2-6. BIAS ADJ PCB ASSY

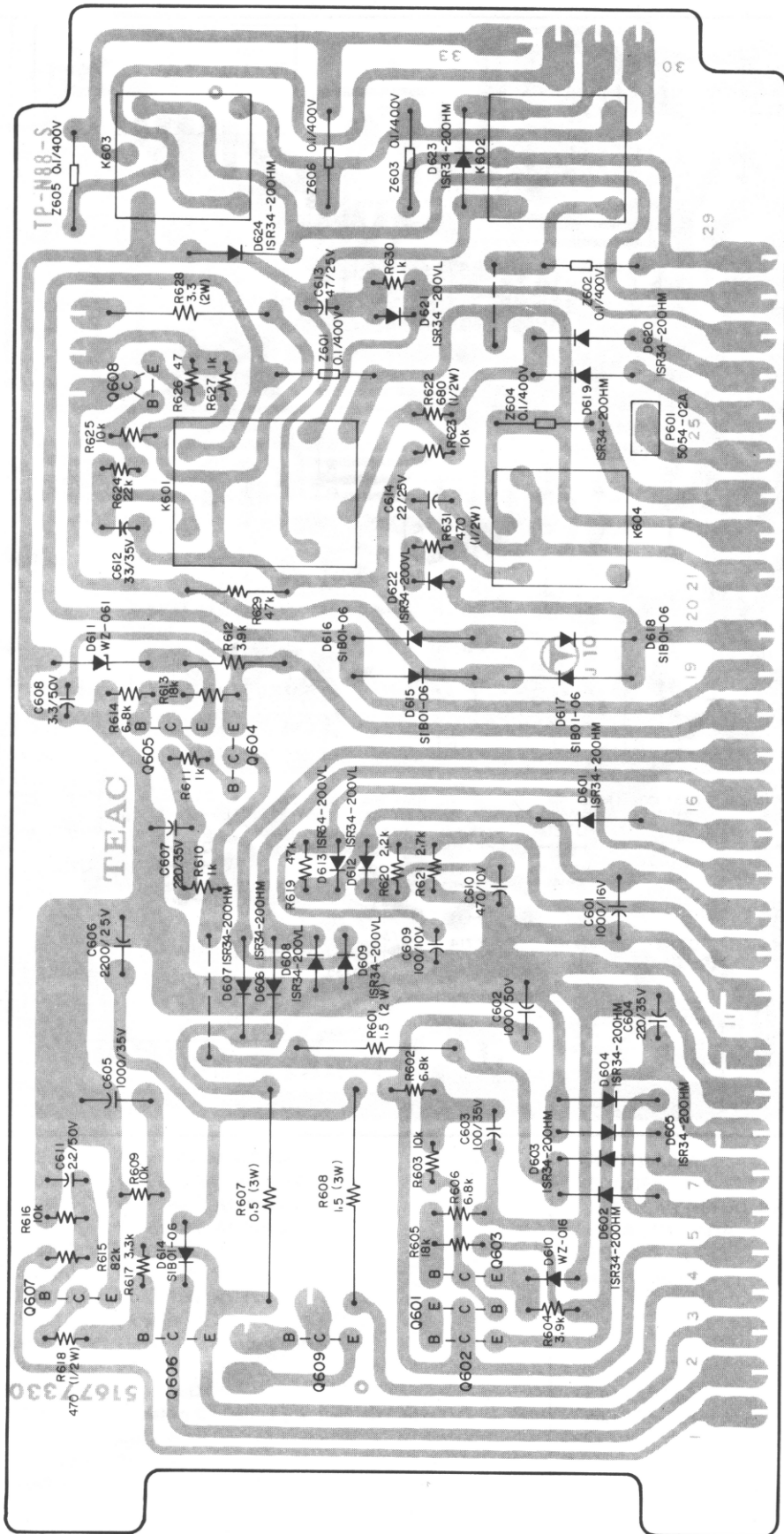


P-457

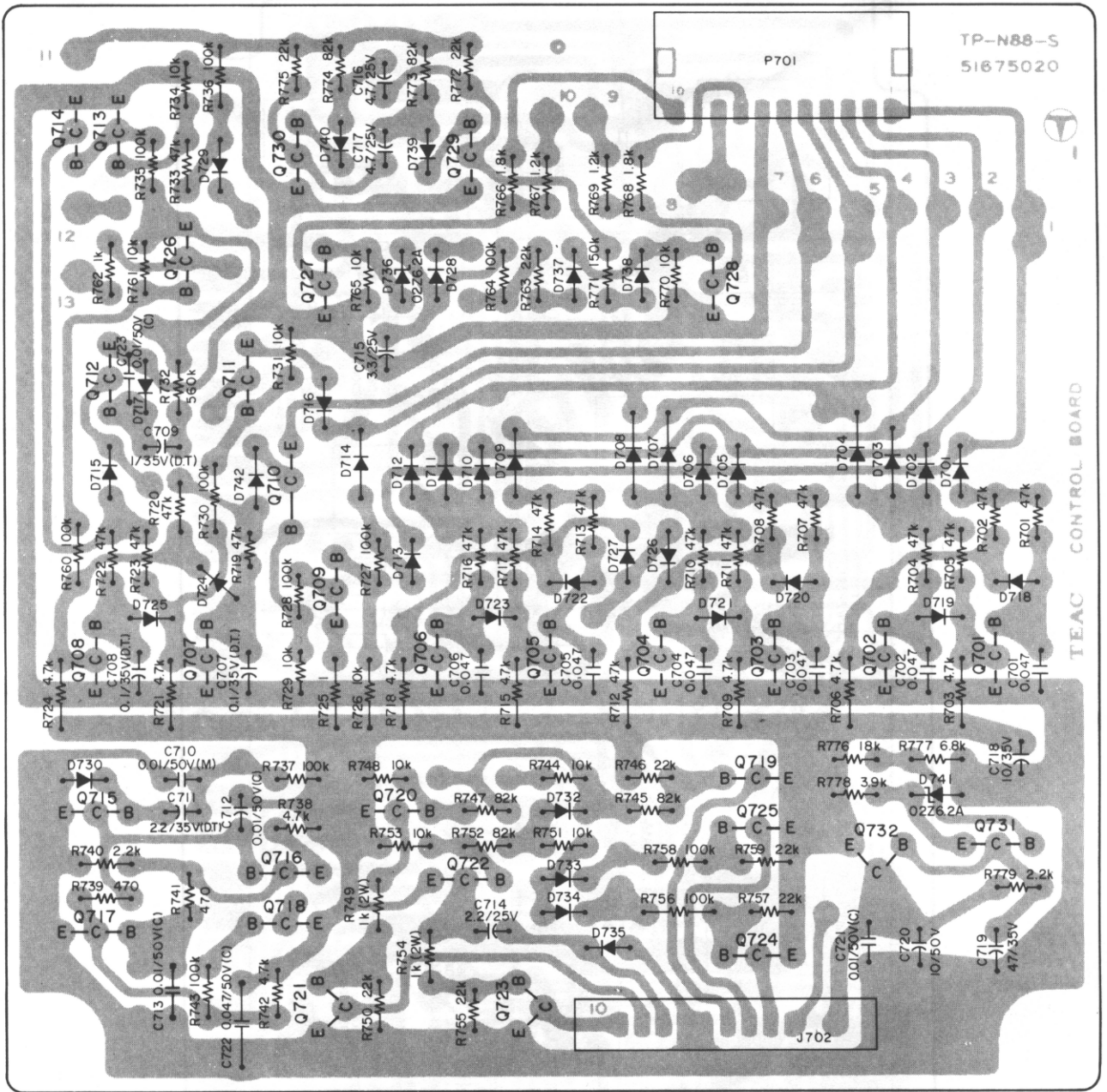
2-7. FUNCTION PCB ASSY



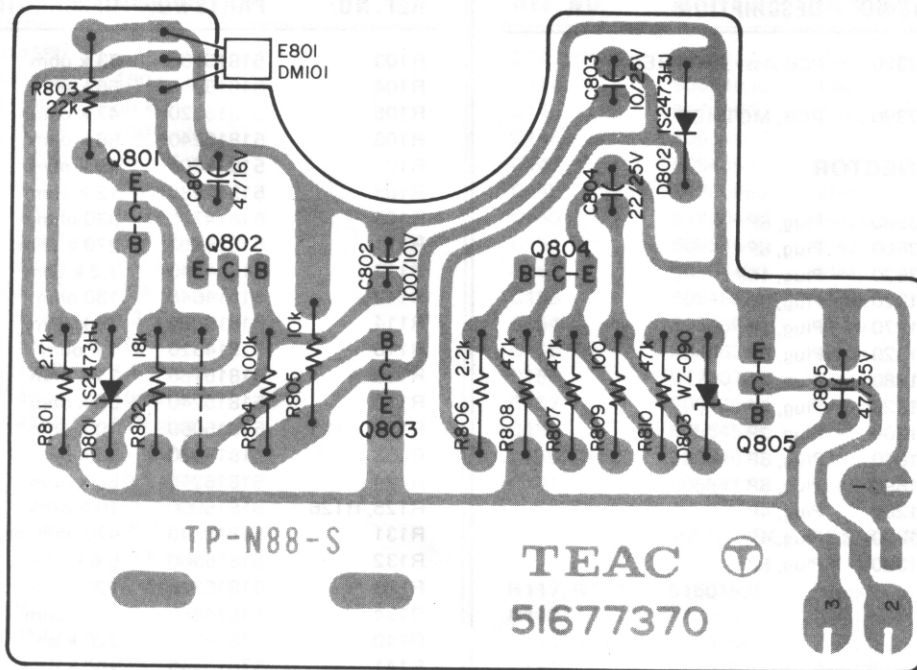
2-8. POWER SUPPLY PCB ASSY



2-9. CONTROL PCB ASSY



2-10. STOP SENSOR PCB ASSY



P-461

(Continued from Page.11)

REF. NO.	PARTS NO.	DESCRIPTION	REMARKS
5 - 51	*55342690	Strain Relief, AC Power Cord	AUSTRALIA
	*55300540	Strain Relief, AC Power Cord	EUROPE, U.K.
5 - 52	*51272460	Cord Assy, AC Power	JAPAN, GENERAL EXPORT
	*51280830	Cord Assy, AC Power; B	U.S.A., CANADA
	*51280770	Cord Assy, AC Power	EUROPE,
	*51280780	Cord Assy, AC Power	AUSTRALIA
	*51280950	Cord Assy, AC Power	U.K.
5 - 53	51240510	Plug, Short Pin	
5 - 54	*55501680	Hinge, Connector Chassis; L	
5 - 55	*51687450	PCB Assy, LED	
	*51677450	PCB, LED	Part of 5 - 55
	*50570960	Resistor, Carbon; 3.9 k ohm ¼W 5%	Part of 5 - 55
5 - 56	*51430470	LED (Red)	
5 - 57	*55556230	Protector, A	
5 - 58	*55556240	Protector, B	

2. PC BOARD SECTION (Parts List)

2-1. MOTHER PCB ASSY

REF. NO.	PARTS NO.	DESCRIPTION
	51687390	PCB Assy, MOTHER
	51677390	PCB, MOTHER
CONNECTOR		
P101, P102	51223580	Plug, 6P
P103, P104	51223600	Plug, 8P
P105	51223620	Plug, 10P
P106~P109	51221320	Plug, 8P
P120	51221270	Plug, 3P
P121	51221320	Plug, 8P
P122	51221280	Plug, 4P
P123, P124	51221320	Plug, 8P
P125	51221260	Plug, 2P
P126	51221830	Plug, 8P
P127	51221890	Plug, 8P
P128, P129	51221280	Plug, 4P
P130, P131	51221850	Plug, 4P
P132	51221320	Plug, 8P

2-2. REC/PLAY AMP PCB ASSY

REF. NO.	PARTS NO.	DESCRIPTION
	51687311	PCB Assy, REC/PLAY AMP
	51677710	PCB, REC/PLAY AMP
IC's		
U101, U102	51470240	NJM4558DF
TRANSISTORS		
Q101	50424610	2SC1327T
Q102	50424210	2SA666IS
Q103	50423830	2SC536F
Q104, Q105	51450920	2SC1740LNS
Q109	51450860	2SC1636-2
Q110	51450950	2SA826LNS
Q111	51450920	2SC1740LNS
Q112	51450950	2SA826LNS
Q116	50424950	2SC1222E
Q117	50424210	2SA666IS
Q118	51450920	2SC1740LNS
Q121~Q123	51450920	2SC1740LNS
DIODES		
D101, D102	51431180	1S2473HJ
D106, D107	50422130	1N60
RESISTORS		
All resistors are rated $\pm 5\%$ tolerance, $\frac{1}{4}$ watt and of carbon type unless otherwise noted.		
R101	51815340	150 k ohm
R102	51814820	1 k ohm

REF. NO.	PARTS NO.	DESCRIPTION
R103	51815180	33 k ohm
R104	51815240	56 k ohm
R105	51815220	47 k ohm
R106	51815240	56 k ohm
R107	51815200	39 k ohm
R108	51815080	12 k ohm
R109	51814700	330 ohm
R111	51815400	270 k ohm
R112	51814840	1.2 k ohm
R113	51814640	180 ohm
R114	51815060	10 k ohm
R115	51814820	1 k ohm
R118	51815180	33 k ohm
R119	51815240	56 k ohm
R120, R121	51815060	10 k ohm
R123	51815180	33 k ohm
R124	51815240	56 k ohm
R125, R126	51815060	10 k ohm
R131	51818640	470 ohm Non Flammable
R132	51815000	5.6 k ohm
R133	51815380	220 k ohm
R134	51814880	1.8 k ohm
R140	51815380	220 k ohm
R141	51815340	150 k ohm
R142	51814900	2.2 k ohm
R144	51815140	22 k ohm
R145	51814580	100 ohm
R146	51815300	100 k ohm
R147	51815280	82 k ohm
R148	51815020	6.8 k ohm
R150	51815100	15 k ohm
R151	51814580	100 ohm
R152, R153	51815060	10 k ohm
R154	51818480	100 ohm Non Flammable
R155	51815300	100 k ohm
R156	51814820	1 k ohm
R157	51814760	560 ohm
R158	51815300	100 k ohm
R160	51815300	100 k ohm
R161	51815080	12 k ohm
R162	51815300	100 k ohm
R163	51815140	22 k ohm
R164	51814900	2.2 k ohm
R165	51814720	390 ohm
R166, R167	51814840	1.2 k ohm
R177	51815080	12 k ohm
R178	51814820	1 k ohm
R179	51815160	27 k ohm
R180	51815220	47 k ohm
R181	51815280	82 k ohm
R182	51815000	5.6 k ohm
R183	51815180	33 k ohm
R184	51814940	3.3 k ohm
R185	51814700	330 ohm
R186	51814980	4.7 k ohm
R187	51814860	1.5 k ohm
R188	51815300	100 k ohm
R189	51814900	2.2 k ohm
R190	51815180	33 k ohm
R191	51815220	47 k ohm
R192	51815300	100 k ohm
R193	51814960	3.9 k ohm
R195	51815200	39 k ohm

REF. NO.	PARTS NO.	DESCRIPTION
R196	51814580	100 ohm
R197	51815300	100 k ohm
R203	51815240	56 k ohm
R204	51815300	100 k ohm
R205	51815200	39 k ohm
R207	51814580	100 ohm
R208	51815300	100 k ohm
R209	51815240	56 k ohm
R210	51815300	100 k ohm
R205	51815240	56 k ohm
R207	51814940	3.3 k ohm
R208	51815300	100 k ohm
R209	51814880	1.8 k ohm
R210	51814580	100 ohm
R211	51814700	330 ohm
R214	51815140	22 k ohm
R215	51815100	15 k ohm
R216	51814580	100 ohm
R217	51815380	220 k ohm
R218	51814860	1.5 k ohm
R219, R220	51815060	10 k ohm
R221	51815380	220 k ohm
R222	51815140	22 k ohm
R223	51815380	220 k ohm
R224	51815140	22 k ohm
R225	51814800	820 ohm
R226~R228	51815060	10 k ohm
R229	51818480	100 ohm Non Flammable

CAPACITORS

C101	50547130	Dip. Tant.	10 mfd	16V
C102	50554490	Elec.	47 mfd	25V
C103	50554170	Elec.	100 mfd	25V
C104	51700940	Elec.	47 mfd	10V (LR)
C105	50547560	Dip. Mica	470 pfd	50V
C106	51700830	Elec.	22 mfd	25V (LR)
C108	50548870	Mylar	0.015 mfd	50V 5%
C109	50554570	Elec.	100 mfd	10V
C110	50543820	Dip. Mica	22 pfd	50V
C112, C113	50554170	Elec.	100 mfd	25V
C115	51700850	Elec.	0.47 mfd	50V (LR)
C117	51700850	Elec.	0.47 mfd	50V (LR)
C118	50554050	Elec.	10 mfd	16V
C119	50548780	Mylar	0.001 mfd	50V 5%
C120	50547580	Dip. Mica	82 pfd	50V
C121	51700870	Elec.	2.2 mfd	50V (LR)
C122	50554540	Elec.	1 mfd	50V
C123	50554040	Elec.	10 mfd	25V
C124	50547440	Dip. Mica	100 pfd	50V
C125	50554040	Elec.	10 mfd	25V
C126	50554010	Elec.	47 mfd	16V
C127	50554170	Elec.	100 mfd	25V
C128	50554540	Elec.	1 mfd	50V
C129	50554330	Elec.	220 mfd	6.3V
C130	50554980	Elec.	2.2 mfd	50V
C131	50548320	Mylar	0.001 mfd	50V 10%
C132	50554720	Elec.	22 mfd	10V
C137	51700870	Elec.	2.2 mfd	50V (LR)
C138	50548320	Mylar	0.001 mfd	50V 10%
C139	51700830	Elec.	22 mfd	25V (LR)
C140	50547440	Dip. Mica	100 pfd	50V
C141	51700850	Elec.	0.47 mfd	50V (LR)

REF. NO.	PARTS NO.	DESCRIPTION
C142, C143	50554170	Elec. 100 mfd 25V
C144	50554030	Elec. 47 mfd 6.3V
C145	51700850	Elec. 0.47 mfd 50V (LR)
C146	50554040	Elec. 10 mfd 25V
C147	50543510	Dip. Mica 33 pfd 50V
C148	51700860	Elec. 1 mfd 50V (LR)
C150	51700440	Polyst. 560 pfd 50V
C151	50554540	Elec. 1 mfd 50V
C152	50554490	Elec. 47 mfd 25V
C153	50548970	Mylar 0.018 mfd 50V 5%
C154	50548930	Mylar 0.0068 mfd 50V 5%
C155	50548310	Mylar 0.15 mfd 50V 10%
C156	51700770	Elec. 10 mfd 16V (LR)
C157	50543440	Polyst. 820 pfd 50V 10%
C158	50554540	Elec. 1 mfd 50V
C159, C160	50554010	Elec. 47 mfd 16V
C161	50554170	Elec. 100 mfd 25V

VARIABLE RESISTORS

R117, R122	51501530	Semi-fixed, 5 k ohm - B
R143	51501530	Semi-fixed, 5 k ohm - B
R149	51501550	Semi-fixed, 20 k ohm - B
R159	51501570	Semi-fixed, 100 k ohm - B
R194	51501560	Semi-fixed, 50 k ohm - B
R206	51501530	Semi-fixed, 5 k ohm - B

COILS

L101	51600440	Trap, 3 mH
L102	51600450	Record EQ, 1.5/2.4 mH
L103	51600440	Trap, 3 mH

MISCELLANEOUS

51812080	Jumper, JPW02-F10 (9 used)
57240420	Pin, F-3 type
J101, J102	51223770 Connector, Socket; 6P
J103, J104	51223790 Connector, Socket; 8P
J105	51223810 Connector, Socket; 10P

2-3. PHONE AMP PCB ASSY

REF. NO.	PARTS NO.	DESCRIPTION
	51687410	PCB Assy, PHONE AMP
	51677410	PCB, PHONE AMP
TRANSISTORS		
Q241, Q242	51450920	2SC1740LNS
Q243	51450820	2SC2060Q
Q244	51450840	2SA934Q
DIODES		
D241, D242	51431180	1S2473HJ

REF. NO.	PARTS NO.	DESCRIPTION
----------	-----------	-------------

RESISTORS

All resistors are rated $\pm 5\%$ tolerance, $\frac{1}{4}$ watt and of carbon type unless otherwise noted.

R241~R244	51831300	100 k ohm
R245	51831240	56 k ohm
R246	51831020	6.8 k ohm
R247	51831000	5.6 k ohm
R248	51830640	180 ohm
R250	51831120	18 k ohm
R251	51831140	22 k ohm
R252	51818640	470 ohm Non Flammable
R253	51830900	2.2 k ohm
R254	51831380	220 k ohm
R255, R256	51830320	8.2 ohm
R257	51800480	30 ohm $\frac{1}{2}W$
R258	51834820	1 k ohm

CAPACITORS

C241~C243	50554540	Elec.	1 mfd	50V
C244	50554490	Elec.	47 mfd	25V
C245	50543820	Dip. Mica	22 pfd	50V
C246	50554170	Elec.	100 mfd	25V
C247	50547420	Dip. Mica	47 pfd	50V

VARIABLE RESISTOR

R249	51502150	50 k ohm - A
------	----------	--------------

MISCELLANEOUS

	51812080	Jumper, JPW02-F10 (1 used)
S241	51340780	Switch, Push; 4-gang
J241	51240460	Jack, PHONES
	55501870	Bracket, Jack
	55449680	Spacer
J241	51221300	Connector, Plug; 6P

2-4. OSC PCB ASSY

REF. NO.	PARTS NO.	DESCRIPTION
----------	-----------	-------------

51687420 PCB Assy, OSC

51677420 PCB, OSC

TRANSISTORS

Q271	51450920	2SC1740LNS
Q272	51450820	2SC2060Q
Q273, Q274	50424450	2SC1226AR

RESISTORS

All resistors are rated $\pm 5\%$ tolerance, $\frac{1}{4}$ watt and of carbon type unless otherwise noted.

R271	51831180	33 k ohm
R272	51830840	1.2 k ohm
R273	51831020	6.8 k ohm

REF. NO.	PARTS NO.	DESCRIPTION
----------	-----------	-------------

R274	51831180	33 k ohm
R275	51831300	100 k ohm
R276	51831080	12 k ohm
R277	51830900	2.2 k ohm
R278	51831060	10 k ohm
R279	51818240	10 ohm Non Flammable
R280	51800900	2.2 k ohm $\frac{1}{2}W$
R281, R282	51800980	4.7 k ohm $\frac{1}{2}W$
R283	51830580	100 ohm
R284, R285	51800420	22 ohm $\frac{1}{2}W$

CAPACITORS

C271	50549780	Elec.	22 mfd	16V (KU)
C272	50554520	Elec.	47 mfd	35V
C273	50548810	Mylar	0.0033 mfd	50V
C274	50548920	Mylar	0.0056 mfd	50V 5%
C275	50548810	Mylar	0.0033 mfd	50V 5%
C276	50544040	Mica	0.0042 mfd	250V 5%

MISCELLANEOUS

L271	50563231	Coil, OSC
J271	51223770	Connector, Socket; 6P
	55340640	Tube, Insulating (2 used)
	55541630	Plate, Insulating (2 used)
	50234870	Heat Sink

2-5. SINC EQ PCB ASSY

REF. NO.	PARTS NO.	DESCRIPTION
----------	-----------	-------------

51687430 PCB Assy, SINC EQ

51677430 PCB, SINC EQ

IC

U301	51470280	NJM4558DD
------	----------	-----------

TRANSISTORS

Q301	51450920	2SC1740LNS
Q302	51450950	2SA826LNS

DIODE

D301, D302	50425170	1S2473VE
------------	----------	----------

RESISTORS

All resistors are rated $\pm 5\%$ tolerance, $\frac{1}{4}$ watt and of carbon type unless otherwise noted.

R301	50570900	2.2 k ohm
R302	50570820	1 k ohm
R303	50571300	100 k ohm
R304	50570680	270 ohm
R305	50571380	220 k ohm
R306	50570920	2.7 k ohm

2-7. FUNCTION PCB ASSY

REF. NO.	PARTS NO.	DESCRIPTION
R307	50570580	100 ohm
R308	50571060	10 k ohm
R309	50571080	12 k ohm
R310	50571240	56 k ohm
R311	50571000	5.6 k ohm
R312, R313	50571300	100 k ohm
R314	50570920	2.7 k ohm
R316	50571140	22 k ohm
R317	50570580	100 ohm
R318, R319	50571060	10 k ohm
R320	51818480	100 ohm Non Flammable
R321	50571300	100 k ohm

CAPACITORS

C301	50549000	Mylar	0.033 mfd	50V 5%
C302	50547130	Dip. Tant.	10 mfd	16V
C303	51700820	Elec.	10 mfd	25V (LR)
C304	50548870	Mylar	0.015 mfd	50V 5%
C305	50548810	Mylar	0.0033 mfd	50V 5%
C306	51703430	Elec.	0.22 mfd	50V (LR)
C307	50548020	Mylar	0.01 mfd	50V 10%
C308	50554720	Elec.	22 mfd	10V
C309	50548320	Mylar	0.001 mfd	50V 10%
C310	50554880	Elec.	22 mfd	16V
C311	51703430	Elec.	0.22 mfd	50V (LR)
C312	50547370	Dip. Mica	270 pfd	50V 5%
C313	51700870	Elec.	2.2 mfd	50V (LR)
C315	50554010	Elec.	47 mfd	16V
C316	50548020	Mylar	0.01 mfd	50V 10%
C317	50554170	Elec.	100 mfd	25V

VARIABLE RESISTOR

R315	51501560	Semi-fixed, 50 k ohm - B
------	----------	--------------------------

MISCELLANEOUS

J301, J302	51223740	Connector, Socket; 3P
	51812090	Jumper, JPW-02 (1 used)

2-6. BIAS ADJ PCB ASSY

REF. NO.	PARTS NO.	DESCRIPTION
	51687470	PCB Assy, BIAS ADJ
	51677470	PCB, BIAS ADJ
D381~D384	51431160	Diode, 1SR34-200VL
K381~K384	50611280	Relay, DPDT
L381~L384	51600440	Coil, Trap; 3mH
C381~C384	51703250	Capactor, Trimmer; 100 pfd
J381, C384	51223790	Connector, Socket; 8P
J382, C383	51223780	Connector, Socket; 7P
	51812060	Jumpper, JPW02-F5 (4 used)

REF. NO.	PARTS NO.	DESCRIPTION
	51687440	PCB Assy, FUNCTION

	51677440	PCB, FUNCTION
--	----------	---------------

TRANSISTORS

Q331	51450820	2SC2060Q
Q332~Q334	50423830	2SC536F
Q335	50425530	2SA733P
Q336~Q344	50423830	2SC546F

DIODES

D331	51431160	1SR34-200VL
D332	50425170	1S2473VE
D333	50425140	Zener, WZ-061
D334, D335	50425170	1S2473VE
D336~D338	50425170	1S2473VE
D340, D341	50425170	1S2473VE
D343, D344	50425170	1S2473VE

CARBON RESISTORS

All resistors are rated $\pm 5\%$ tolerance and $\frac{1}{4}$ watt.

R331	50570820	1 k ohm
R332	50570980	4.7 k ohm
R333	50570860	1.5 k ohm
R334	50571220	47 k ohm
R335	50571160	27 k ohm
R336	50571060	10 k ohm
R337	50571240	56 k ohm
R338	50571220	47 k ohm
R339	50571040	8.2 k ohm
R340	50570820	1 k ohm
R341, R342	50571220	47 k ohm
R343	50571040	8.2 k ohm
R344	50570920	2.7 k ohm
R345	50571180	33 k ohm
R346	50571240	56 k ohm
R347	50571300	100 k ohm
R348	50570980	4.7 k ohm
R349, R350	50571220	47 k ohm
R351, R352	50571060	10 k ohm
R354	50570980	4.7 k ohm
R355, R356	50571220	47 k ohm
R357, R358	50571060	10 k ohm
R360	50570980	4.7 k ohm
R361, R362	50571220	47 k ohm
R363, R364	50571060	10 k ohm
R366	50570980	4.7 k ohm
R367, R368	50571220	47 k ohm
R369, R370	50571060	10 k ohm

CAPACITORS

C331	50554170	Elec.	100 mfd	25V
C332	50554540	Elec.	1 mfd	50V
C333	50549600	Elec.	1 mfd	25V (KU)
C334~C337	50554540	Elec.	1 mfd	50V
Z301~Z303	50549920	Meta. Mylar	0.1 mfd	400 VAC

REF. NO.	PARTS NO.	DESCRIPTION
RELAY		
K331	50611010	4PDT
MISCELLANEOUS		
P301	51221270	Connector, Plug; 3P (4 used)
P302	51221270	Connector, Plug; 3P (4 used)
P331	51221280	Connector, Plug; 4P
P332	51221320	Connector, Plug; 8P
P333	51221300	Connector, Plug; 6P
P334	51221270	Connector, Plug; 3P
S331	51340760	Switch, Push; 3-gang
S332	51340770	Switch, Push; 4-gang
S333, S334	51340750	Switch, Push; 2-gang
	51687450	PCB Assy, LED
	51677450	PCB, LED (part of PCB Assy)
R353, R359	50570960	Resistor, Carbon; 3.9 k ohm ¼W 5% (Part of PCB Assy)
R365, R371	50570960	Resistor, Carbon; 3.9 k ohm ¼W 5% (Part of PCB Assy)

2-8. POWER SUPPLY PCB ASSY

REF. NO.	PARTS NO.	DESCRIPTION
	51687330	PCB Assy, POWER SUPPLY
	51677330	PCB, POWER SUPPLY
TRANSISTORS		
Q601	50426250	2SC1318S
Q602	51450870	2SD313E
Q603	50423830	2SC536F
Q604	51450870	2SD313E
Q605	50423830	2SC536F
Q606	51451290	2SB507E
Q607	50426250	2SC1318S
Q608	51450770	2SD600KE
Q609	51451280	2SD613E
DIODES		
D601~D607	51431100	1SR34-200
D608, D609	51431160	1SR34-200VL
D610, D611	50425140	Zener, WZ-061
D612, D613	51431160	1SR34-200VL
D614~D618	50422570	SIB01-06
D619, D620	51431100	1SR34-200
D621, D622	51431160	1SR34-200VL
D623, D624	51431100	1SR34-200

RESISTORS

All resistors are rated $\pm 5\%$ tolerance, ¼ watt and of carbon type unless otherwise noted.

REF. NO.	PARTS NO.	DESCRIPTION
R601	51843020	1.5 ohm 2W Cement
R602	50571020	6.8 k ohm
R603	50571060	10 k ohm
R604	50570960	3.9 k ohm
R605	50571120	18 k ohm
R606	50571020	6.8 k ohm
R607	50518040	0.5 ohm 3W Cement
R608	50520340	1.5 ohm 3W Cement
R609	50571060	10 k ohm
R610, R611	50570820	1 k ohm
R612	50572960	3.9 k ohm
R613	50571120	18 k ohm
R614	50571020	6.8 k ohm
R615	50571280	82 k ohm
R616	50571060	10 k ohm
R617	50570940	3.3 k ohm
R618	50574740	470 ohm ½W
R619	50571220	47 k ohm
R620	50570900	2.2 k ohm
R621	50570920	2.7 k ohm
R622	50574780	680 ohm ½W
R623	50571060	10 k ohm
R624	50571140	22 k ohm
R625	50571060	10 k ohm
R626	50570500	47 ohm
R627	50570820	1 k ohm
R628	51843060	3.3 ohm 2W Cement
R629	50573220	47 k ohm
R630	50570820	1 k ohm
R631	50574740	470 ohm ½W

CAPACITORS

C601	50554890	Elec.	1000 mfd	16V
C602	50555850	Elec.	1000 mfd	50V
C603	50554630	Elec.	100 mfd	35V
C604	50554380	Elec.	220 mfd	35V
C605	51700110	Elec.	1000 mfd	35V
C606	50557140	Elec.	2200 mfd	25V
C607	50554380	Elec.	220 mfd	35V
C608	50555730	Elec.	3.3 mfd	50V
C609	50554570	Elec.	100 mfd	10V
C610	50555380	Elec.	470 mfd	10V
C611	50554980	Elec.	2.2 mfd	50V
C612	50554750	Elec.	33 mfd	35V
C613	50554490	Elec.	47 mfd	25V
C614	50554950	Elec.	22 mfd	25V
Z601~Z606	50549920	Meta. Mylar	0.1 mfd	400V

RELAYS

K601	50611310	LC2-N
K602~K604	50611340	LC1-N

MISCELLANEOUS

P601	51221260	Connector, Plug; 2P
	51812080	Jumper, JPW02-F10 (1 used)
	51812070	Jumper, JPW02-F8 (1 used)
	50332950	Tube, Insulating (4 used)
	50332910	Plate, Insulating (4 used)
	55531320	Heat Sink
	55501660	Heat Sink, B

2-9. CONTROL PCB ASSY

REF. NO.	PARTS NO.	DESCRIPTION
	51687511	PCB Assy, CONTROL
	51675022	PCB, CONTROL
TRANSISTORS		
Q701~Q708	51450910	2SC945AK
Q709	50425530	2SA733P
Q710~Q714	51450910	2SC945AK
Q715	50426250	2SC1318S
Q716	50425530	2SA733P
Q717	51450910	2SC945AK
Q718~Q720	50425530	2SC1318S
Q721	51450770	2SD600KE
Q722	50425530	2SA733P
Q723	51450870	2SD313E
Q724~Q726	50425530	2SA733P
Q727~Q731	51450910	2SC945AK
Q732	51450870	2SD313E
DIODES		
D701~D730	50425170	1S2473VE
D732~D735	50425170	1S2473VE
D736	50425540	Zener, RD6.2EB
D737~D740	50425170	1S2473VE
D741	50425540	Zener, RD6.2EB
D742	50425170	1S2473VE
RESISTORS		
All resistors are rated $\pm 5\%$ tolerance, $\frac{1}{4}$ watt and of carbon type unless otherwise noted.		
R701, R702	50571220	47 k ohm
R703	50570980	4.7 k ohm
R704, R705	50571220	47 k ohm
R706	50570980	4.7 k ohm
R707, R708	50571220	47 k ohm
R709	50570980	4.7 k ohm
R710, R711	50571220	47 k ohm
R712	50570980	4.7 k ohm
R713, R714	50571220	47 k ohm
R715	50570980	4.7 k ohm
R716, R717	50571220	47 k ohm
R718	50570980	4.7 k ohm
R719, R720	50571220	47 k ohm
R721	50570980	4.7 k ohm
R722, R723	50571220	47 k ohm
R724	50570980	4.7 k ohm
R725	50570110	1 ohm
R726	50571060	10 k ohm
R727, R728	50571300	100 k ohm
R729	50571060	10 k ohm
R730	50571300	100 k ohm
R731	50571060	10 k ohm
R732	50571480	560 k ohm
R733	50571220	47 k ohm
R734	50571060	10 k ohm
R735~R737	50571300	100 k ohm
R738	50570980	4.7 k ohm
R739	50570740	470 ohm
R740	50570900	2.2 k ohm
R741	50570740	470 ohm

REF. NO.	PARTS NO.	DESCRIPTION
R742	50570980	4.7 k ohm
R743	50571300	100 k ohm
R744	50571060	10 k ohm
R745	50571280	22 k ohm
R746	50571140	22 k ohm
R747	50571280	82 k ohm
R748	50571060	10 k ohm
R749	50525870	1 k ohm 2W Metal Film
R750	50571140	22 k ohm
R751	50571060	10 k ohm
R752	50571280	82 k ohm
R753	50571060	10 k ohm
R754	50525870	1 k ohm 2W Metal Film
R755	50571140	22 k ohm
R756	50571300	100 k ohm
R757	50571140	22 k ohm
R758	50571300	100 k ohm
R759	50571140	22 k ohm
R760	50571300	100 k ohm
R761	50571060	10 k ohm
R762	50570820	1 k ohm
R763	50571140	22 k ohm
R764	50571300	100 k ohm
R765	50571060	10 k ohm
R766	50570880	1.8 k ohm
R767	50570840	1.2 k ohm
R768	50570880	1.8 k ohm
R769	50570840	1.2 k ohm
R770	50571060	10 k ohm
R771	50571340	150 k ohm
R772	50571140	22 k ohm
R773, R774	50571280	82 k ohm
R775	50571140	22 k ohm
R776	50571120	18 k ohm
R777	50571020	6.8 k ohm
R778	50570960	3.9 k ohm
R779	50570900	2.2 k ohm
CAPACITORS		
C701~C706	50548270	Mylar 0.047 mfd 50V
C707, C708	50546641	Dip. Tant. 0.1 mfd 35V
C709	50546701	Dip. Tant. 1 mfd 35V
C710	50548020	Mylar 0.01 mfd 50V
C711	50546721	Dip. Tant. 2.2 mfd 35V
C712, C713	50542040	Ceramic 0.01 mfd 50V
C714	50554940	Elec. 2.2 mfd 25V
C715	50554220	Elec. 3.3 mfd 25V
C716, C717	50554530	Elec. 4.7 mfd 25V
C718	50554510	Elec. 10 mfd 35V
C719	50554520	Elec. 47 mfd 35V
C720	50554350	Elec. 10 mfd 50V
C721	50542040	Ceramic 0.01 mfd 50V
C722	50542300	Ceramic 0.047 mfd 50V
C723	50542040	Ceramic 0.01 mfd 50V
MISCELLANEOUS		
J701	50438450	Connector, Socket; 10P
J702	51220120	Connector, Plug; 10P

2-10. STOP SENSOR PCB ASSY

REF. NO.	PARTS NO.	DESCRIPTION
	51687370	PCB Assy, STOP SENSOR
	51677370	PCB, STOP SENSOR
TRANSISTORS		
Q801, Q802	51451210	2SC2021LNF R
Q803	51451230	2SA786LNF R
Q804, Q805	51451210	2SC2021LNF R
DIODES		
D801, D802	51431180	1S2473HJ
D803	50425150	Zener, WZ-090
CARBON RESISTORS		
All resistors are rated $\pm 5\%$ tolerance and $\frac{1}{4}$ watt.		
R801	51812920	2.7 k ohm
R802	51813120	18 k ohm

REF. NO.	PARTS NO.	DESCRIPTION
R803	51813140	22 k ohm
R804	51813300	100 k ohm
R805	51813060	10 k ohm
R806	51812900	2.2 k ohm
R807, R808	51813220	47 k ohm
R809	51812580	100 ohm
R810	51813220	47 k ohm
CAPACITORS		
C801	50554010	Elec. 47 mfd 16V
C802	50554570	Elec. 100 mfd 10V
C803	50554040	Elec. 10 mfd 25V
C804	50554950	Elec. 22 mfd 25V
C805	50554520	Elec. 47 mfd 35V
MISCELLANEOUS		
E801	51431050	Magnetic Resistance Element, DM101
	51812080	Jumper, JPW02-F10 (1 used)

INCLUDED ACCESSORIES

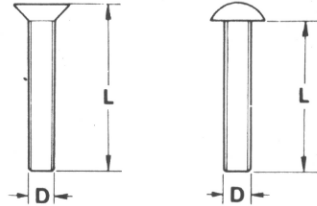
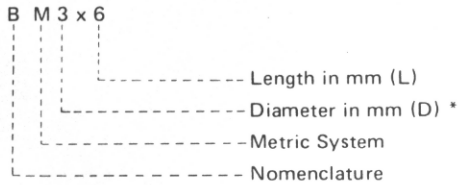
REF. NO.	PARTS NO.	DESCRIPTION	REMARKS
	51280930	Cord, Input-output Connection (x4)	JAPAN U.S.A. All except JAPAN, U.S.A.
	RE-1002	Empty Reel, 10 inch	
	55980250	Reel Adapter, Clamp; TZ-612 (x2)	
	50629620	Splicing Tape	
	51016040	30-4 Owner's Manual	
	51016050	A-3440 Owner's Manual	
	51016060	A-3440 Owner's Manual	

ASSEMBLING HARDWARE CODING LIST

All screws conform to ISO standards, and have crossrecessed heads, unless otherwise noted. ISO screws have the head inscribed with a point as in the figure to the right.



FOR EXAMPLE:



* Inner dia. for washers and nuts

	Code	Name	Type		Code	Name	Type
MACHINE SCREW	R	Round Head Screw		TAPPING SCREW	BTA	Binding Head Tapping Screw(A Type)	
	P	Pan Head Screw			BTB	Binding Head Tapping Screw(B Type)	
	T	Stove Head Screw (Truss)			RTA	Round Head Tapping Screw(A Type)	
	B	Binding Head Screw			RTB	Round Head Tapping Screw(B Type)	
	F	Flat Countersunk Head Screw		SETSCREW	SF	Hex Socket Setscrew(Flat Point)	
	O	Oval Countersunk Head Screw			SC	Hex Socket Setscrew(Cup Point)	
WOOD SCREW	RW	Round Head Wood Screw			SS	Slotted Socket Setscrew(Flat Point)	
	FW	Flat Countersunk Wood Screw		WASHER	E	E-Ring (Retaining Washer)	
	OW	Oval Countersunk Wood Screw			W	Flat Washer (Plain)	
SEMS SCREW	BSA	Binding Head SEMS Screw(A Type)			SW	Lock Washer (Spring)	
	BSB	Binding Head SEMS Screw(B Type)			LWI	Lock Washer (Internal Teeth)	
	BSF	Binding Head SEMS Screw(F Type)			LWE	Lock Washer (External Teeth)	
	PSA	Pan Head SEMS Screw(A Type)		TW	Trim Washer (Countersunk)		
	PSB	Pan Head SEMS Screw(B Type)		NUT	N	Hex Nut	

A-3440

4-Channel Multitrack Tape Deck with SIMUL-SYNC

TEAC

TEAC CORPORATION

3-7-3 NAKA-CHO MUSASHINO TOKYO PHONE (0422) 53-1111

TEAC CORPORATION OF AMERICA

7733 TELEGRAPH ROAD MONTEBELLO CALIFORNIA 90640 PHONE (213) 726-0303

TEAC AUSTRALIA PTY., LTD.

115 WHITEMAN STREET SOUTH MELBOURNE VICTORIA 3205 PHONE 699-6000
