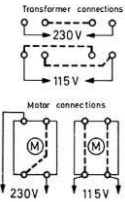
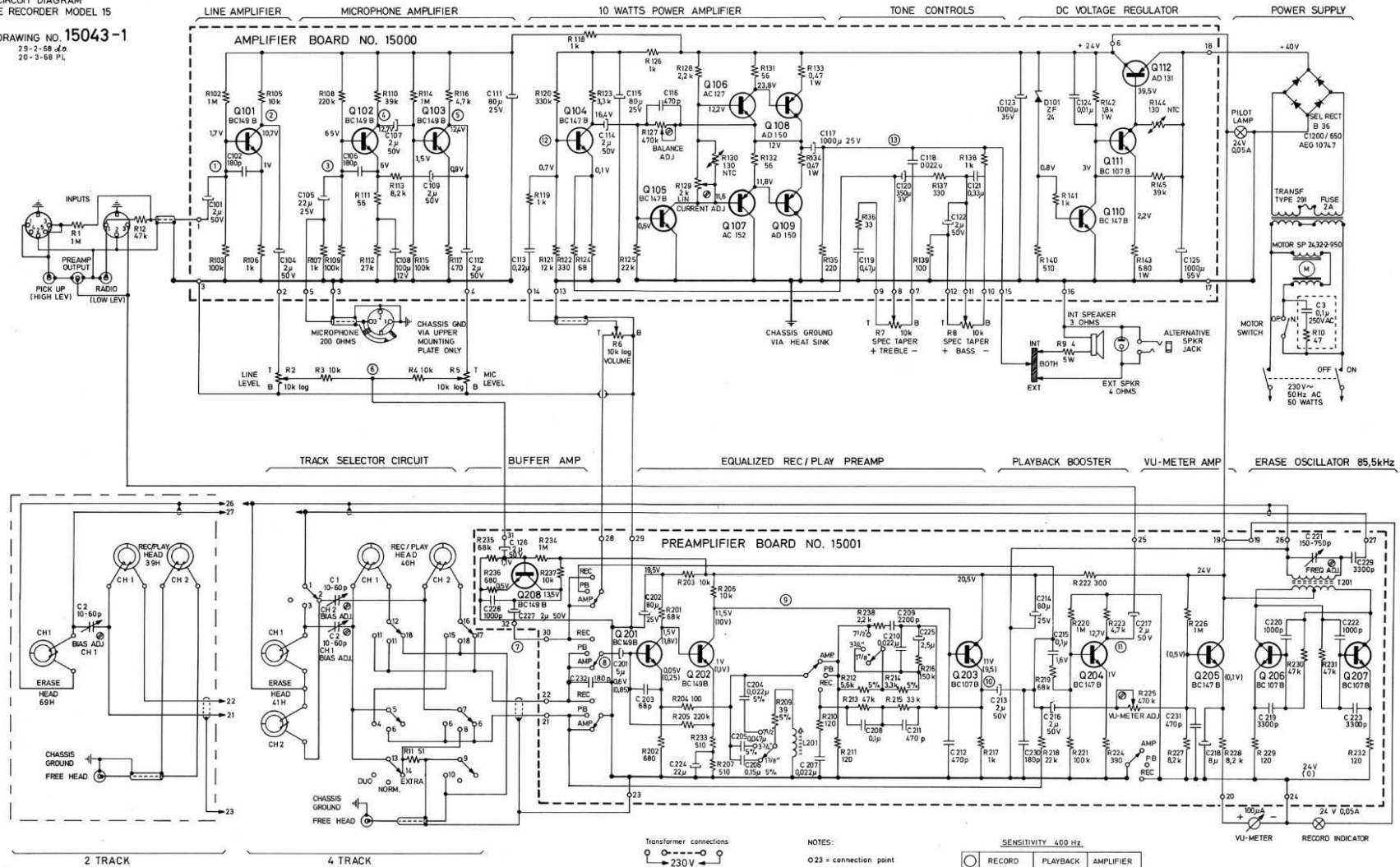


Landbergs Radiofabrik A/S
CIRCUIT DIAGRAM
TAPE RECORDER MODEL 15

DRAWING NO. 15043-1
29-2-58 d.ø
20-3-68 PL



NOTES:
O23 = connection point
Resistors indicated in ohms unless otherwise specified.
k = 1000 ohms M = 1000000 ohms

SENSITIVITY 400 Hz

	RECORD	PLAYBACK	AMPLIFIER	
	LINE	MC	LINE	MC
1	5mV		5mV	
2	22mV		22mV	
3		0.15mV		0.15mV
4		5mV		5mV
5		22mV		22mV
6		10mV		10mV
7		55mV		55mV
8	55mV	0.25mV		
9	25.5V	55mV		
10	2.5V	55mV		
11		300mV		
12	55mV	55mV	55mV	
13	6.3V	6.3V	6.3mV	

All DC-voltages measured without signal.
Voltages given in parenthesis refer to record position