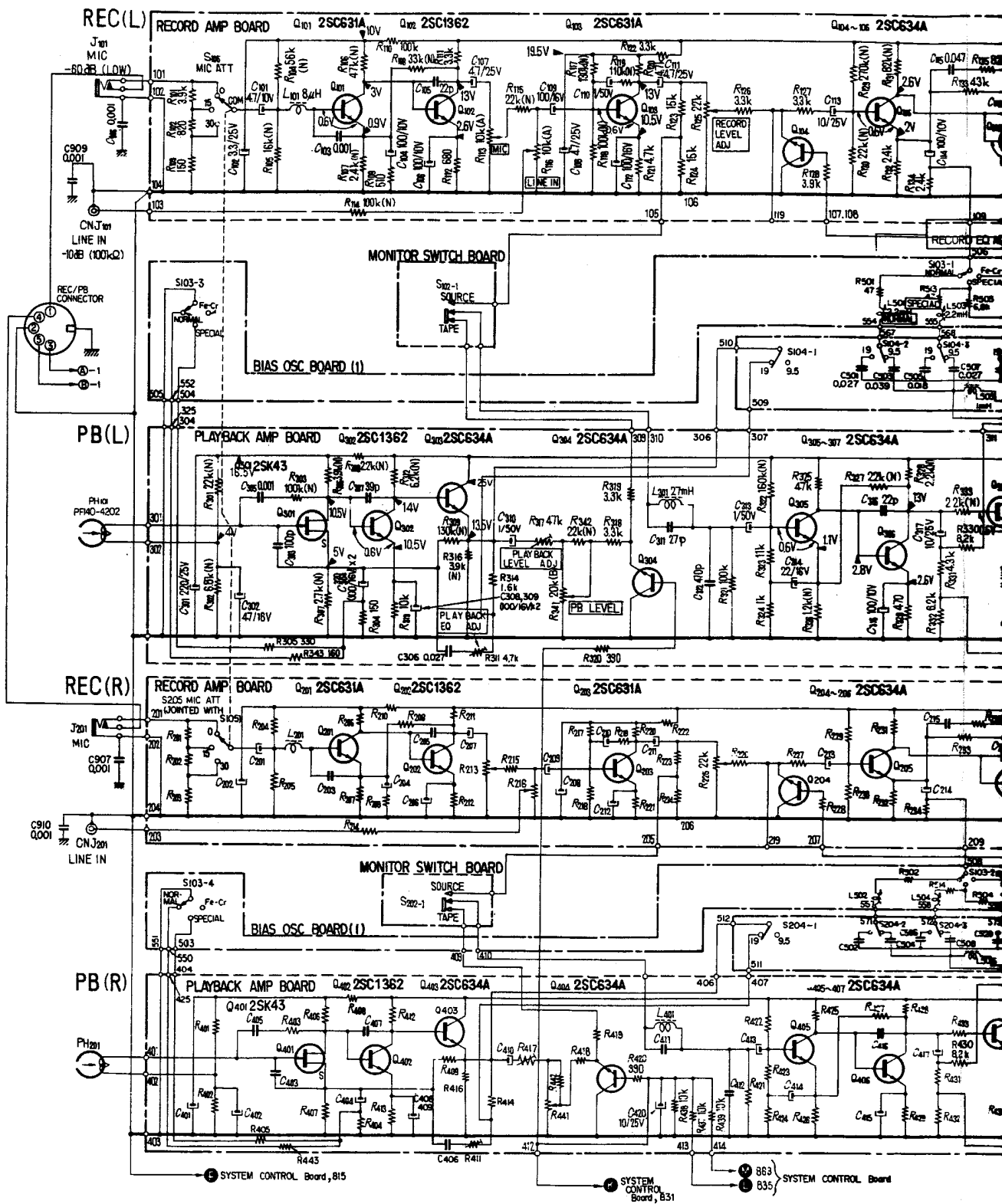
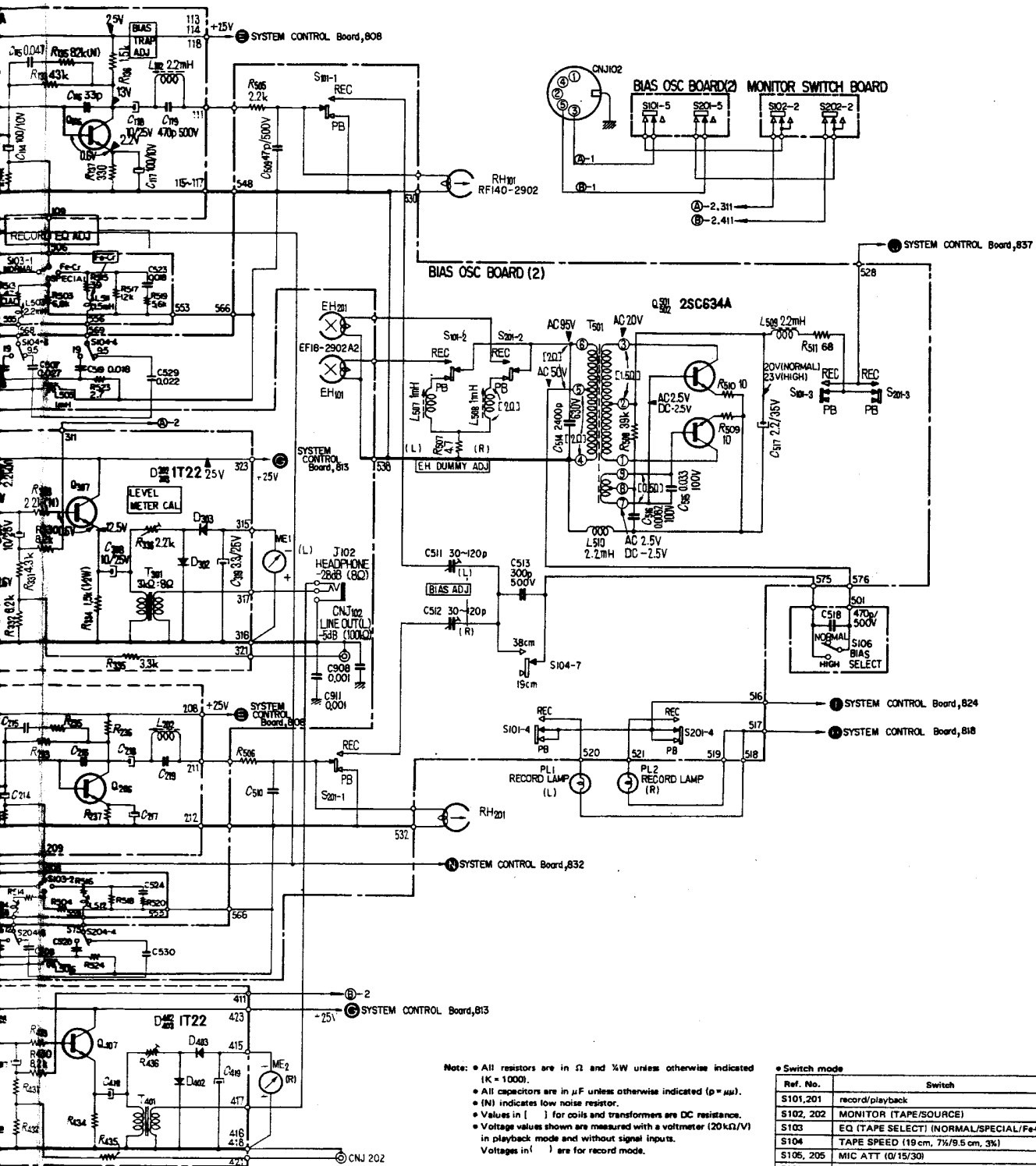


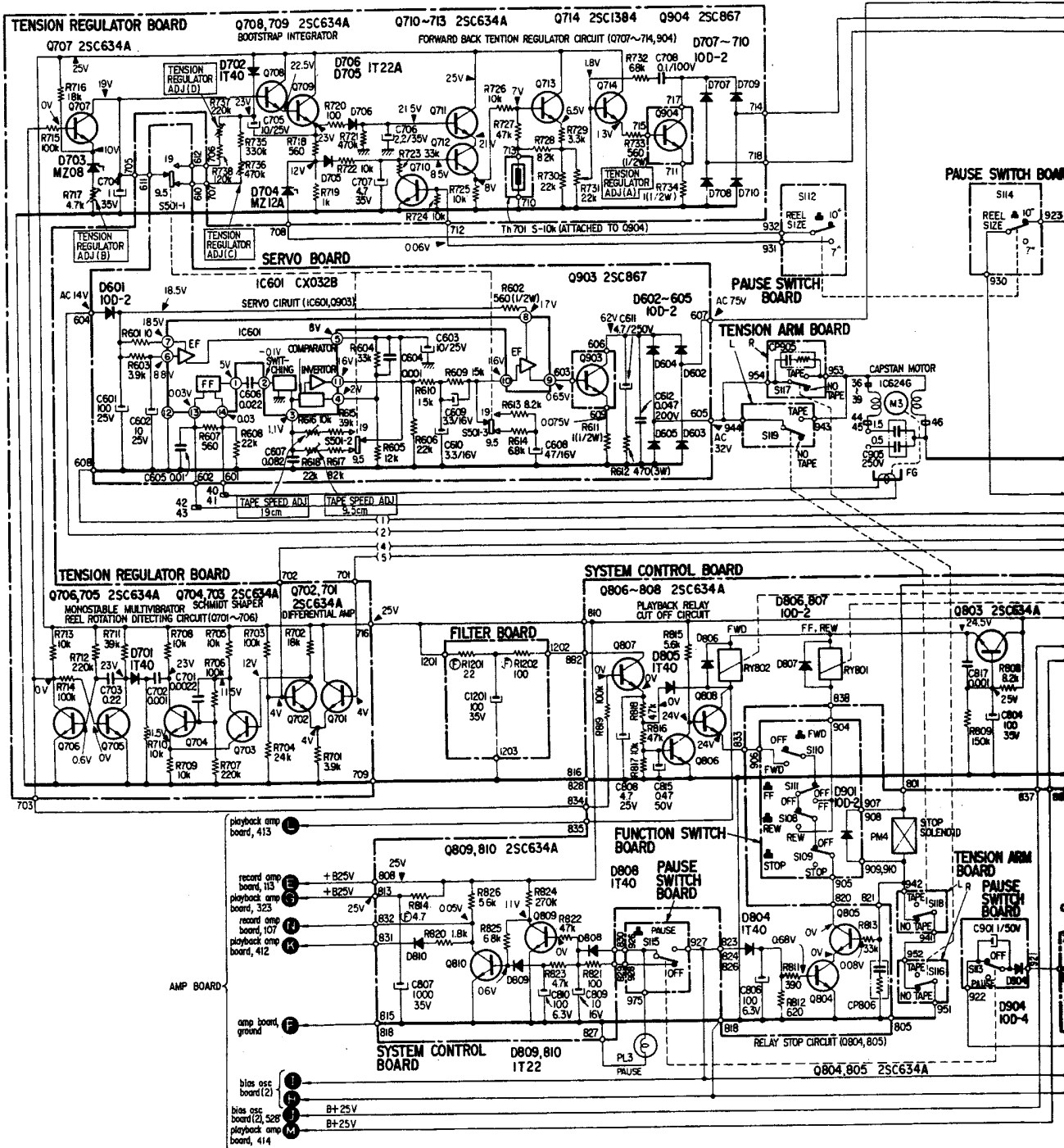
SECTION 3  
DIAGRAMS

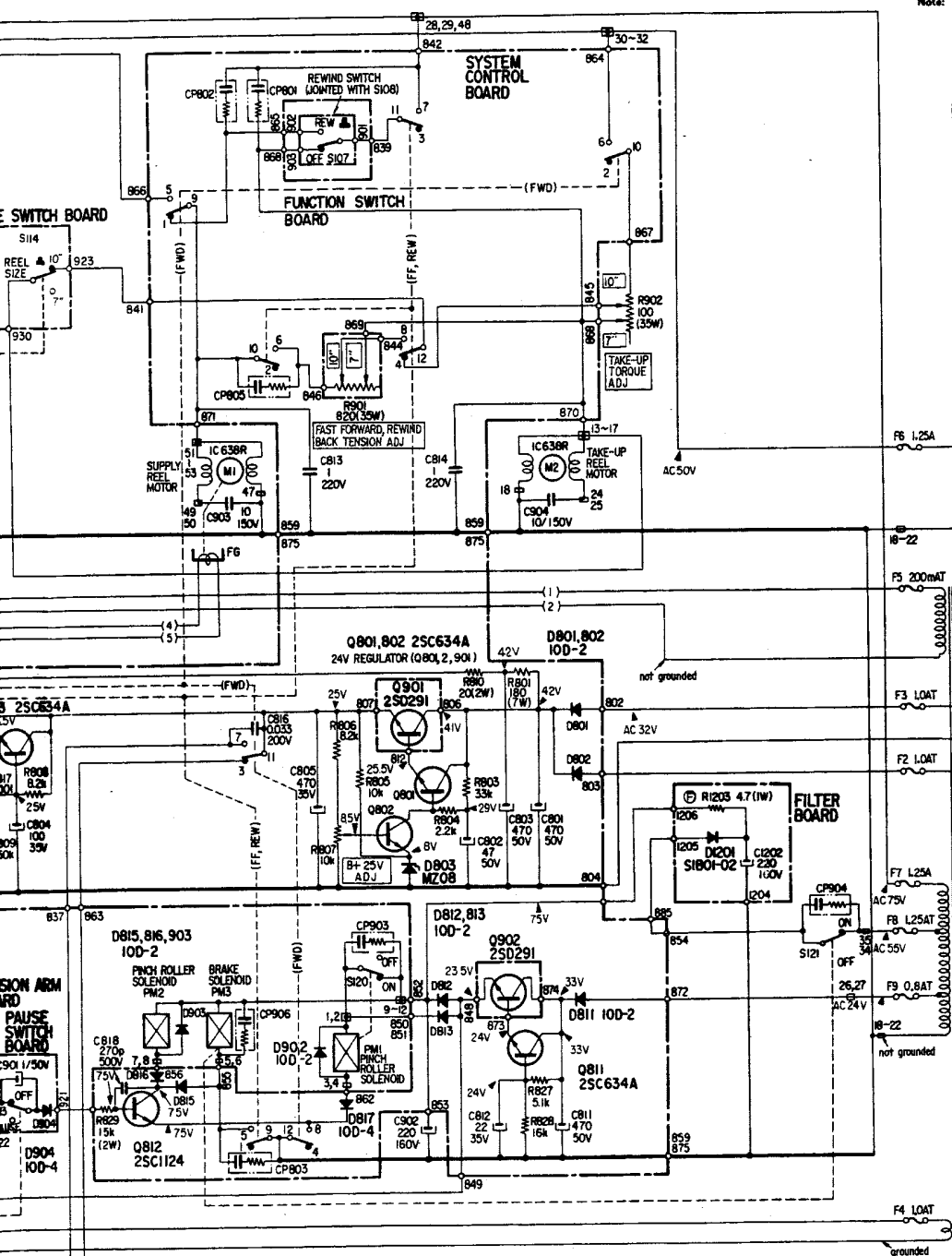
3-1. SCHEMATIC DIAGRAM - AMP SECTION -





3.4. SCHEMATIC DIAGRAM – SYSTEM CONTROL SECTION –





Note: • All resistors are in  $\Omega$  and  $\times W$  unless otherwise indicated ( $k = 1000$ ).  
 • All capacitors are in  $\mu F$  unless otherwise indicated ( $p = \mu\mu F$ ).  
 • Voltage values shown are measured with a voltmeter (DC: 20  $k\Omega/V$ , AC: 8  $k\Omega/V$ ) in stop mode, without input signals and with TAPE SPEED switch to 19 cm, 7%.  
 Voltages in ( ) are for 9.5 cm, 3%.

• Switch mode

Ref. No.	Switch	Mode
S107, 108	rewind (rewind/OFF)	OFF
S109	stop (stop/OFF)	OFF
S110	playback (playback/OFF)	OFF
S111	fast forward (fast forward/OFF)	OFF
S112, 114	REEL SIZE (10"/7")	10"
S113, 115	PAUSE (PAUSE/OFF)	OFF
S116, 117	tension arm R (tape/no tape)	no tape
S118, 119	tension arm L (tape/no tape)	no tape
S120	PM <sub>1</sub> drive (ON/OFF)	ON
S121	PM <sub>3</sub> drive (ON/OFF)	ON
S122	POWER (ON/OFF)	ON
S501	TAPE SPEED (19 cm, 7%/9.5 cm, 3%)	19 cm, 7%

