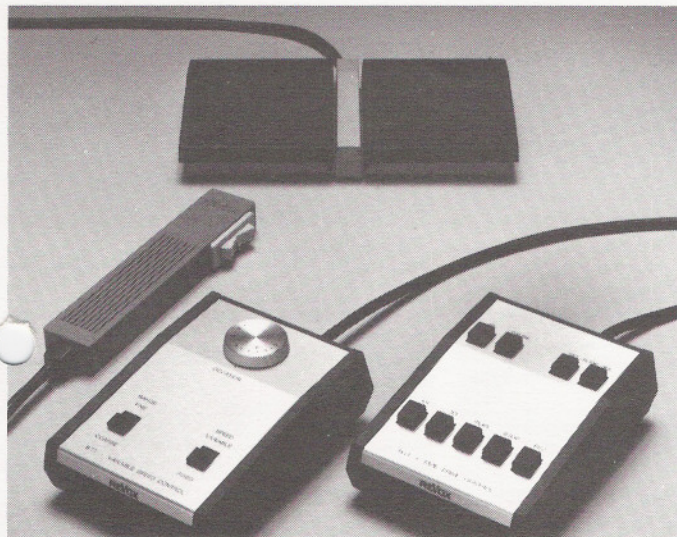


# Revox B77 Tape Recorder.



## Remote Controls

Cable Remote Control B77 (10 m)  
 Variable Speed Control (external)  
 Repeat Control Hand-operated (5 m)  
 Repeat Control Foot-operated  
 Alternative Control  
 Cycle Control

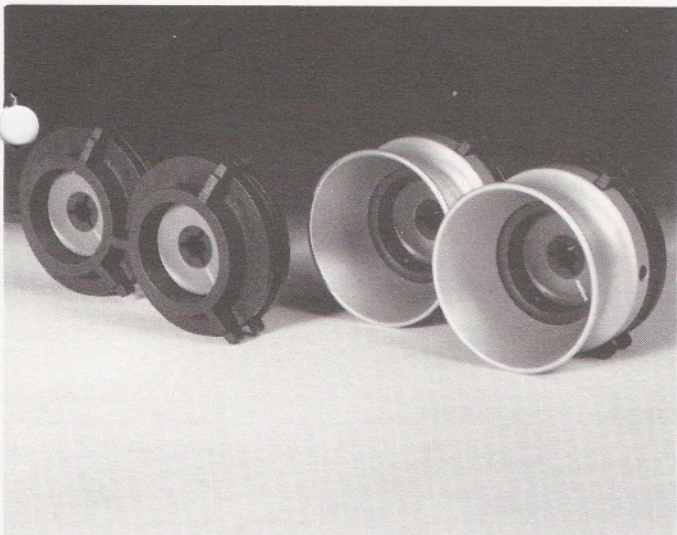
Order No. 34227  
 Order No. 34237  
 Order No. 34203  
 Order No. 34122  
 Order No. 34230  
 Order No. 34231



## Infrared Remote Control

B201 CD IR-Remote Control  
 B202 IR-Receiver (external)  
 B205 IR-Remote Control  
 B202 T IR-Receiver (Timer)  
 B206 IR-Relais

Order No. 31200  
 Order No. 31202  
 Order No. 31205  
 Order No. 31222  
 Order No. 31206



## NAB-Adaptors

NAB-Adaptor black  
 NAB-Adaptor professional, silver anodized

Order No. 45001  
 Order No. 45010



## AEG Flanges for Single Sided Spools

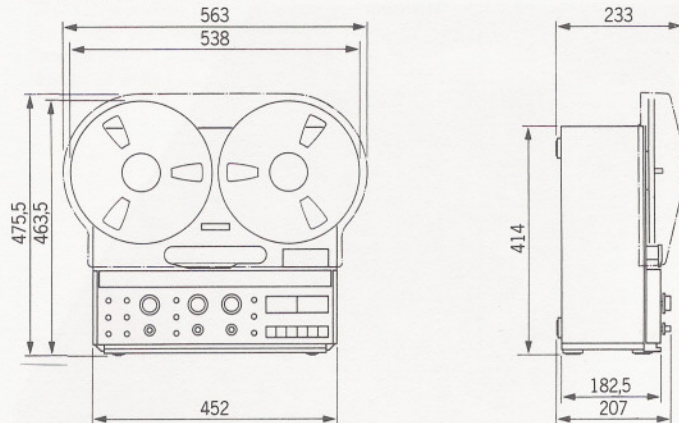
AEG Hub  
 Professional AEG Flange

Order No. 45018  
 Order No. 34501

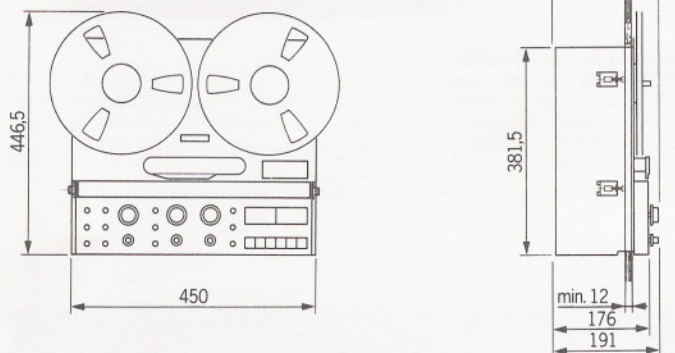
# Dimensions.

(valid for all versions)

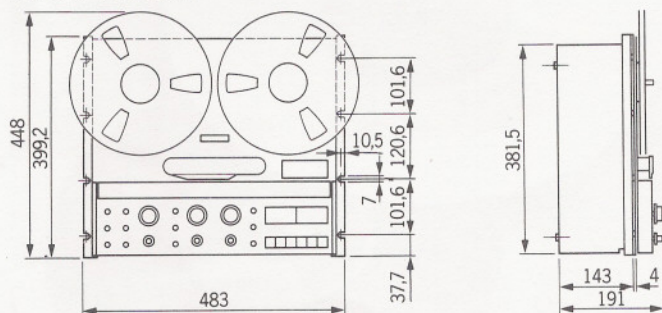
## Standard Version



## Installation Version



## Rack Version



**Worldwide distribution:**  
 REVOX ELA AG, Division Export  
 CH-8105 Regensdorf-Zurich, Althardstrasse 146  
**Switzerland:**  
 REVOX ELA AG  
 CH-8105 Regensdorf-Zurich, Althardstrasse 146  
**West Germany:**  
 STUDER REVOX GmbH  
 D-7827 Löffingen, Hochschwarzwald, Talstrasse 7  
**Austria:**  
 STUDER REVOX Wien Ges.m.b.H.  
 A-1180 Wien, Ludwiggasse 4

# Technical Data.

All figures quoted are minimum performance values as measured with REVOX 631 mastering tape, normally exceeded by all units.

	STANDARD	ST
<b>Tape transport mechanism:</b>	3-motor tape drive, 2 AC driven spooling motors, 1 AC driven motor	
<b>Tape speeds:</b>	3 3/4 ips and 7 1/2 ips, electronic change-over	
<b>Tolerance from nominal:</b>	±0.2%	
<b>Range of speed variation with internal motor control:</b>	±10% of nominal speed	
<b>with external motor control:</b>	±7 semitones	
<b>Wow and flutter:</b>	7 1/2 ips	3 3/4 ips
(DIN 45507/consistent with IEE standard 193-1971)	<0.08%	<0.1%
<b>Tape slip:</b>	max. 0.2%	
<b>Reel size:</b>	up to 10.5 inch diameter (min. hub diameter 2.36 inches)	
<b>Winding time:</b>	approx. 135 s for 3600 ft of tape	
<b>Tape transport control:</b>	Integrated control logic with tape motion sensor provides possible.	
<b>Equalization:</b>	7 1/2 ips NAB 50-3180 μs	3 3/4 ips NAB 90-3180 μs
<b>Frequency response:</b> (measured via tape, at -20 VU)	7 1/2 ips 30 Hz... 20 kHz +2/-3 dB	3 3/4 ips 30 Hz... 16 kHz +2/-3 dB
<b>Peak recording level:</b>	514 nWb/m corresponds to 6 dB above 0 VU	
<b>Level metering:</b>	VU meters in accordance with ASA plus LED peak indicator	
<b>Distortion:</b> (at 257/514 nWb/m)	7 1/2 ips	3 3/4 ips
3rd harm. 500 Hz	<0.2%, <0.5%	<0.5%, <1.5%
<b>Signal-to-noise ratio:</b> (measured via tape, ASA-A weighted, referring to 514 nWb/m)	7 1/2 ips 2 track: >67 dB 4 track: >63 dB	3 3/4 ips 2 track: >64 dB 4 track: >60 dB
<b>Crosstalk:</b>	(at 1000 Hz) stereophonic: >45 dB, monophonic: >60 dB	
<b>Erase depth:</b>	at 1000 Hz >75 dB	
<b>Inputs per channel:</b> (referring to 514 nWb/m)	MIC (unbalanced), Position LO: 0.15 mV/2.2 kohms for 50... 600 ohms microphone RADIO: 2.8 mV/20 kohms, AUX: 40 mV/220 kohms	
<b>Overload margin on all inputs:</b>	40 dB (1:100)	
<b>Outputs per channel:</b> (referring to 514 nWb/m)	* <b>OUTPUT:</b> max. 1.55 V/R <sub>L</sub> min. 20 kohms, range of presets * <b>RADIO:</b> max 1.55 V/R <sub>L</sub> min. 20 kohms, range of presets * <b>PHONES:</b> (2 x) max. 5.6 V, short-circuit proof, optimum impedance * the presets are factory set to -6 dB.	
<b>Connectors for:</b>	Remote control of tape transport functions. Remote control of slide projector or crossfade unit (electronics optional).	
<b>Electric current supply:</b>	100, 120, 140, 200, 220, 240 V. switchable, 50... 60 Hz, max	
<b>Mains fuse:</b>	100... 140 V: T 1 A (slow-blowing), 200... 240 V: T 500 mA (slow-blowing)	
<b>Weight:</b>	approx. 37 lbs 7 ozs (17 kg)	
<b>Dimensions:</b>	17.8 x 16.3 x 8.14 inches (W x H x D) Required clearance for 10.5 inch reels: max. width 21.2 inches	

### Capstan motor specifications

<b>Capstan shaft diameter:</b>	4.51 mm
<b>Type of motor:</b>	Standard
<b>Nominal motor speeds:</b>	400 and 800 rpm
<b>Speed control circuit:</b>	Standard

### Additional data for AUTOSTART-versions

<b>Threshold level for AUTO operation:</b> (AUX input)	min. 150 mV
<b>Starting time:</b> (from standby)	max. 0.5 s
<b>Turn-off delay:</b>	1... 10 s (internally adjustable)

# B77 MK II.

HIGH SPEED HS		LOW SPEED LS		SUPER LOW SPEED SLS	
given capstan motor, electronically regulated.					
7 1/2 ips and 15 ips, electronic change-over ±0.2%		1 7/8 ips and 3 3/4 ips, electronic change-over ±0.2%		1 5/16 ips and 1 7/8 ips, electronic change-over ±0.2%	
±10% of nominal speed ±7 semitones		±10% of nominal speed ±7 semitones		±10% of nominal speed (only for 1 7/8 ips)	
15 ips	7 1/2 ips	3 3/4 ips	1 7/8 ips	1 7/8 ips	1 5/16 ips
<0.06%	<0.08%	<0.1%	<0.2%	<0.2%	<0.3%

tape tension switchable (for small hub diameter)

for any desired transition between different operating modes. Contactless electronic switching of all motors. Remote control of all functions and electric timer operation are

15 ips NAB 50-3180 μs IEC 35 μs	7 1/2 ips NAB 50-3180 μs IEC 70 μs	3 3/4 ips NAB 90-3180 μs	1 7/8 ips NAB 120-3180 μs	1 7/8 ips 120-3180 μs	1 5/16 ips 200-3180 μs
15 ips 30 Hz... 22 kHz +2/-3 dB	7 1/2 ips 30 Hz... 20 kHz +2/-3 dB	3 3/4 ips 30 Hz... 16 kHz +2/-3 dB	1 7/8 ips 40 Hz... 10 kHz +2/-3 dB	1 7/8 ips 60 Hz... 8 kHz +2/-3 dB	1 5/16 ips 60 Hz... 4 kHz +2/-3 dB
280 nWb/m corresponds to 6 dB above 0 VU					

ators

(at 257/514 nWb/m) 15 ips <0.2%, <0.5%	7 1/2 ips <0.2%, <0.5%	(at 257/514 nWb/m) 3 3/4 ips <0.5%, <1.5%	1 7/8 ips <1.5%, <3%	(at 280 nWb/m) 1 7/8 ips <2%	(at 200 nWb/m) 1 5/16 ips <2%
15 ips 2 track: >68 dB	7 1/2 ips 2 track: >67 dB	3 3/4 ips 2 track: >64 dB 4 track: >60 dB	1 7/8 ips 2 track: >62 dB 4 track: >58 dB	1 7/8 ips 2 track: >58 dB 4 track: >54 dB	1 5/16 ips 2 track: >56 dB 4 track: >52 dB (referred to 280 nWb/m)

phones, position HI: 2.8 mV/110 kohms for microphone impedance up to 20 kohms

sets 26 dB  
26 dB  
matching impedance 200...600 ohms

of variable tape speed.

Remote control of tape transport functions. Remote control of variable speed.

. 80 watts  
slow blowing)

ches (538 mm), max. height 18.25 inches (463.5 mm)

9.06 mm	3.00 mm	3.00 mm
High Speed	Low Speed	Low Speed
400 and 800 rpm	300 and 600 rpm	150 and 300 rpm
Standard	Low Speed	Super Low Speed

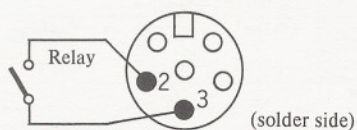
# Additional Data

## DIA, DHA, FH.

### DIA: Dia-Synchro

Dia (Slide) synchronising circuit built in.  
Remote control accessory required.

Wiring of slide sync  
socket:



### DHA: Dissolve Head Amplifier

Analog signal processing electronics built-in

Control (synchronising)

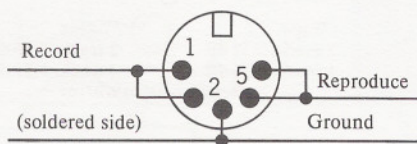
signal: 400 ... 1600 Hz/4 kHz

Input level: 100 mV

Output level: 600 mV

Frequency response: matched for operation with SIMDA ED 3000 P

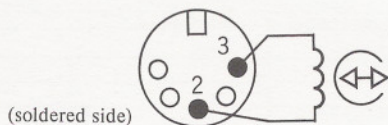
Wiring of SLIDE SYNC  
socket:



### FH: Free Head

Slide Sync Head: L: 150 mH  $\pm 10\%$ , RDC: 175 ohms  $\pm 10\%$ , Gap: 7  $\mu\text{m}$

Wiring of SLIDE SYNC  
socket:



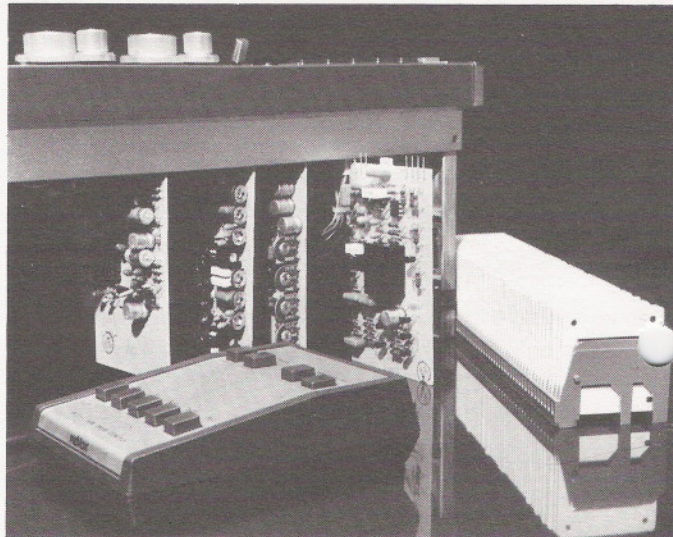
### SYNC: Self Sync

Frequency response

of Guide Track  
reproduction:

at 15 ips: 150 Hz... 12 kHz  $\pm 3$  dB  
at 7.5 ips: 150 Hz... 10 kHz  $\pm 3$  dB  
at 3.75 ips: 150 Hz... 8 kHz  $\pm 3$  dB

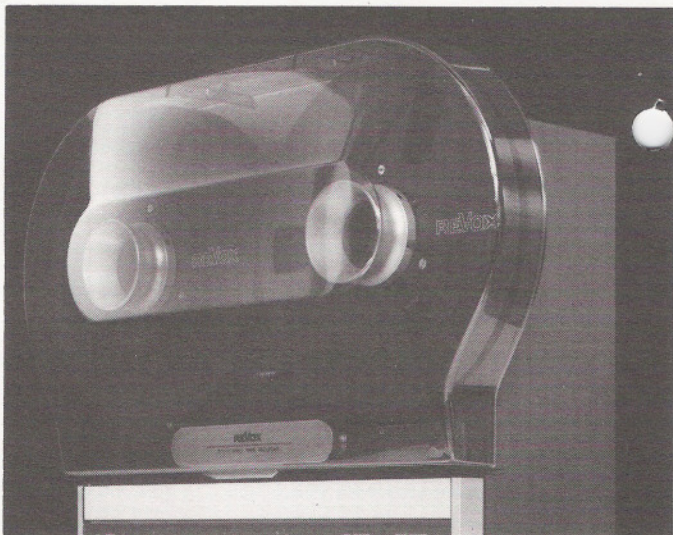
# Accessories.



### Mounting Kits

Slide Synchro Kit (2-track)  
Slide Synchro Kit (4-track)  
Free Head Kit (2-track)  
Free Head Kit (4-track)  
Dissolve Head Kit (2-track)  
Dissolve Head Kit (4-track)  
End of Message Sensor

Order No. 74502  
Order No. 74504  
Order No. 74501  
Order No. 74503  
Order No. 74495  
Order No. 74496  
Order No. 74497



### General

Operational Dust Cover  
19" Rack Adaptor  
Endless Loop Cassette  
Chassis for Above  
Lubricated Tape 400 m

Order No. 34007  
Order No. 34099  
Order No. 34400  
Order No. 34410  
Order No. 43961