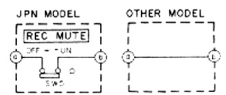


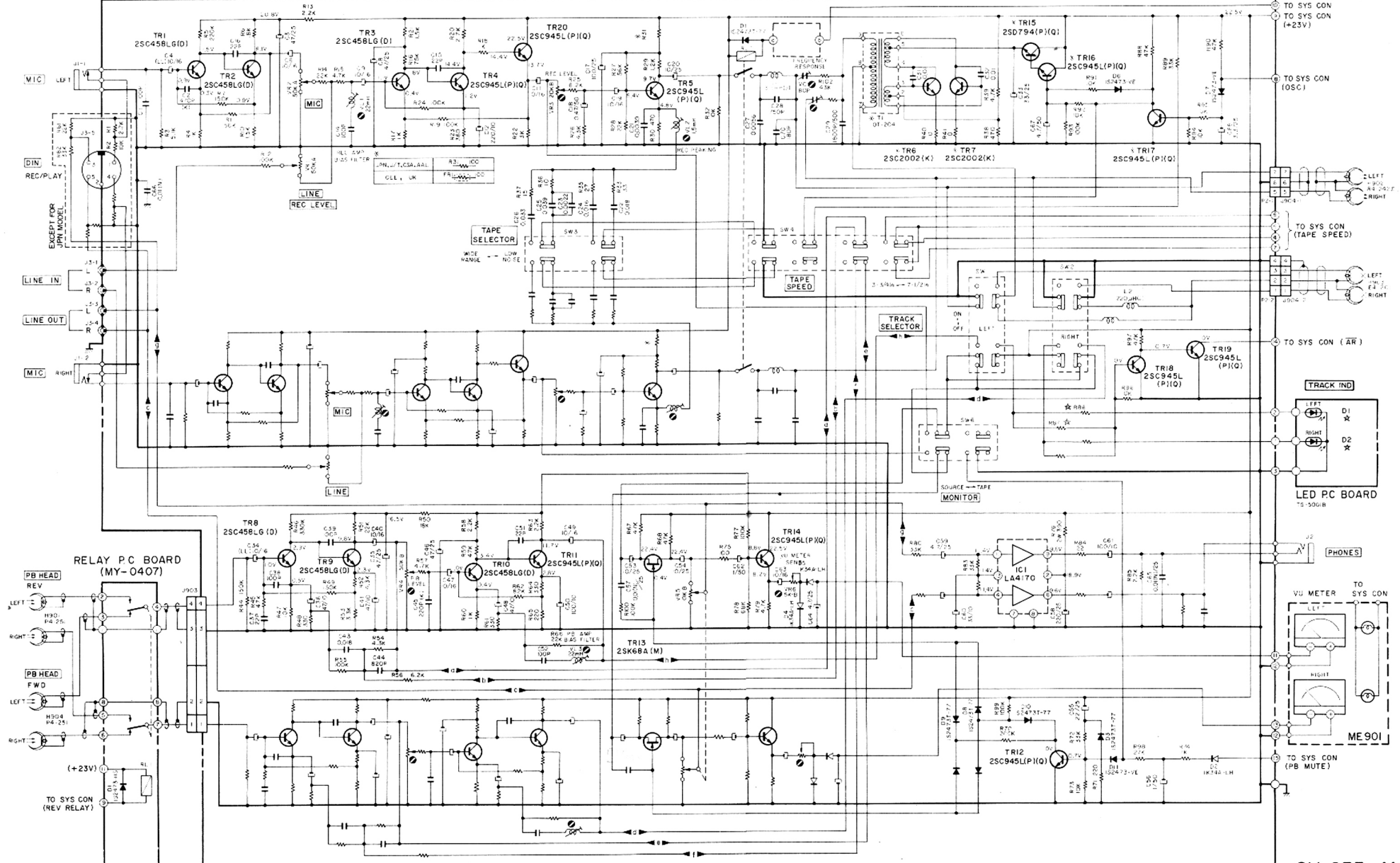
REC MODEL OTHER MODEL

TR17	B	7.72 V	3-244A
	D <td>0.2 V <td>0.2 V</td> </td>	0.2 V <td>0.2 V</td>	0.2 V
	E <td>19 V <td>19 V</td> </td>	19 V <td>19 V</td>	19 V
	F <td>7.2 V <td>14.2 V</td> </td>	7.2 V <td>14.2 V</td>	14.2 V
	G <td>16.8 V <td>3.8 V</td> </td>	16.8 V <td>3.8 V</td>	3.8 V
TR16	L <td>0.2 V <td>0.4 V</td> </td>	0.2 V <td>0.4 V</td>	0.4 V
	M <td>0.6 V <td>0.8 V</td> </td>	0.6 V <td>0.8 V</td>	0.8 V
	N <td>16.3 V <td>3.2 V</td> </td>	16.3 V <td>3.2 V</td>	3.2 V
	B <td>24.3 Vdc</td> <td>80 VAC</td>	24.3 Vdc	80 VAC
	D <td>11.4 VAC</td> <td>100.4 AC</td>	11.4 VAC	100.4 AC

P86	3	22
JPN	4.3x	GL-98R2
117.5/250 (250) JAL UK	28	GL-98R2



PRE AMP P.C BOARD



NOTE
 UNLESS OTHERWISE SPECIFIED
 ALL RESISTORS IN OHMS (R/W/1)
 ALL CAPACITORS IN μF (50V 12)
 ILL: LOW LEAKAGE CAPACITOR

GX-255 AMP
 SCHEMATIC DIAGRAM
 No.2-2 1582213 A