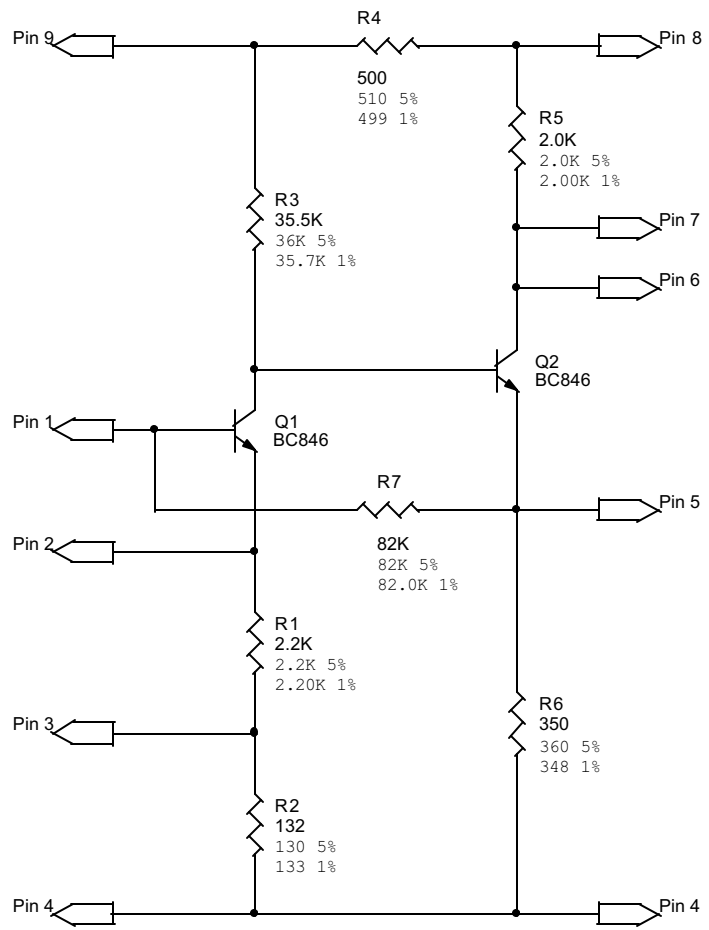
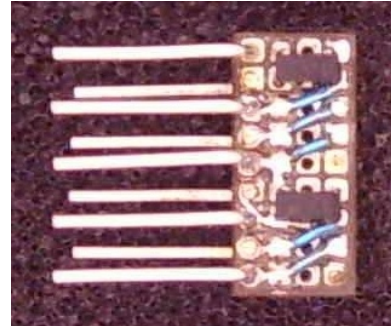
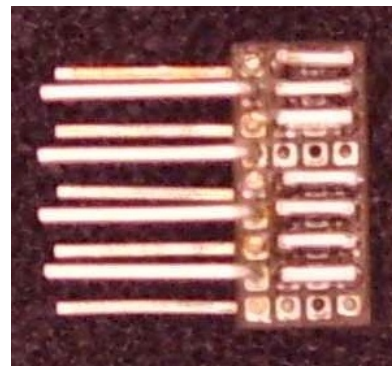


A



B



Note: Resistors used 1206 surface mount
 Transistors used SOT-23 surface mount
 0.05" Grid pitch perf fits original holes

Custom Electronics 940 Delphi Dr. Lafayette, CO. 80026-1117		
(C)2003 Kevin Counihan (303) 665-9753 kevincounihan@aol.com		
Title LD3141 Internal Schematic		
Size A	Document Number LD3141	Rev A
Date: Wednesday, July 16, 2003	Sheet 1	of 1