

SECTION 2

PARTS LIST

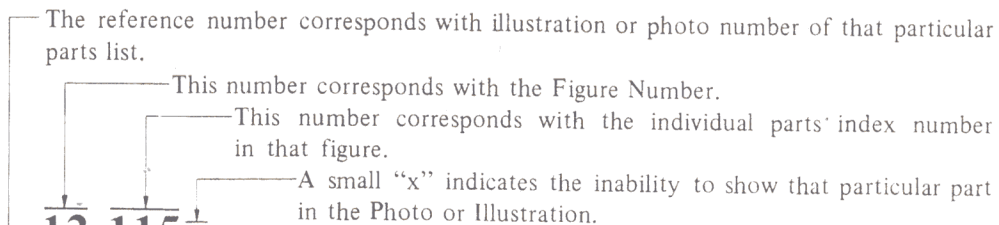
TABLE OF CONTENTS

| | |
|--|----|
| 1. RECOMMENDED SPARE PARTS | 35 |
| 2. HEAD BLOCK | 36 |
| 3. MOTOR BLOCK | 37 |
| 4. REEL TABLE BLOCK | 38 |
| 5. ROLLER (L/R) BLOCK | 39 |
| 6. POWER BLOCK | 40 |
| 7. MECHA BLOCK | 41 |
| 8. SYS. CON. P.C BOARD BLOCK | 42 |
| 9. PRE AMP P.C BOARD BLOCK | 43 |
| 10. TIMER P.C BOARD BLOCK | 43 |
| 11. MIC AMP P.C BOARD BLOCK | 43 |
| 12. ASSEMBLY BLOCK | 44 |
| 13. FINAL ASSEMBLY BLOCK | 45 |
| INDEX | 46 |

Resistor and Capacitor which is not listed in this parts list, please refer to
COMMON LIST FOR SERVICE PARTS.

HOW TO USE THIS PARTS LIST

1. This parts list is compiled by various individual blocks based on assembly process.
2. When ordering parts, please describe parts number, serial number, and model number in detail.
3. How to read list.



| Ref. No. | Parts No. | Description |
|---------------------------|-----------|----------------------------|
| FLYWHEEL BLOCK #13 | | |
| 12-115x | 800425 | Flywheel Block Assy. Comp. |
| 12-116 | 244506 | Flywheel Only |
| 12-117x | 244754 | Felt, Flywheel |
| 12-118 | 251324 | Main Metal Case |
| 12-119 | 253080 | Main Metal |

4. The symbol numbers shown on the P.C. Board list can be matched with the Composite Views of components of the Schematic Diagram or Service Manual.
5. The indications of Resistors and Capacitors in the photos of P.C. Board are being eliminated.
6. The shape of the parts and parts name, etc. can be confirmed by comparing them with the parts shown on the Electrical Parts Table of P.C. Board.
7. Both the kind of part and installation position can be determined by the Parts Number. To determine where a parts number is listed, utilize Parts Index at end of Parts List.
It is necessary first of all to find the Parts Number. This can be accomplished by using the Reference Number listed at right of parts number in the Parts Index. (meaning of ref. no. outlined in Item 3 above).
8. Utilize separate "Price List for Parts" to determine unit price. The most simple method of finding parts Price is to utilize the reference number.

CAUTION:

1. When placing an order for parts, be sure to list the parts no. model no., and description. There are instances in which if any of this information is omitted, parts cannot be shipped or the wrong parts will be delivered.
2. Please be careful not to make a mistake in the parts no. If the parts no. is in error, a part different from the one ordered may be delivered.
3. Because parts number and parts unit supply in the Preliminary Service Manual (Basic Parts List) may be partially changed, please use this parts list for all future reference.

WARNING: △ INDICATES SAFETY CRITICAL COMPONENTS. FOR CONTINUED SAFETY, REPLACE SAFETY CRITICAL COMPONENTS ONLY WITH MANUFACTURER'S RECOMMENDED PARTS.

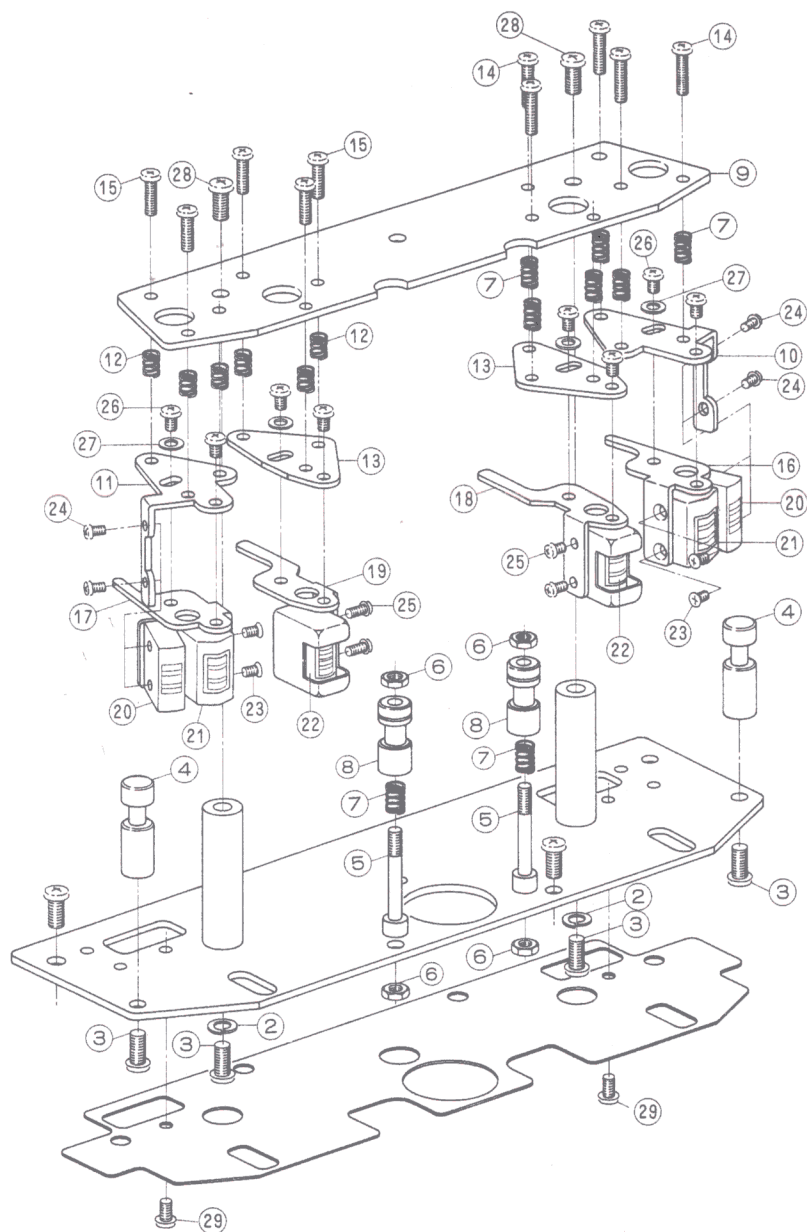
AVERTISSEMENT: △ IL INDIQU LES COMPOSANTS CRITIQUES DE SURETE. POUR MAINTENIR LE DEGRE DE SECURITE DE L'APPAREIL NE REMPLACER LES COMPOSANTS DONT LE FONCTIONNEMENT EST CRITIQUE POUR LA SECURITE QUE PAR DES PIECES RECOMMANDEES PAR LE FABRICANT.

1. RECOMMENDED SPARE PARTS

Because, if the parts listed below are on hand, almost any repair can be accomplished, we suggest that you stock these Recommended Spare Parts Items.

| REF. NO. | PARTS NO. | DESCRIPTION | REF. NO. | PARTS NO. | DESCRIPTION |
|----------|--------------|---|----------|--------------|--------------------------------------|
| 1-1 | BHT1014A260A | HEAD BLK GX-646 | 1-65 | EP316121 | △ SOLENOID 1664PLTI |
| 1-2 | BMM1101A010A | △ MOTOR SCM-200 | 1-66 | EP308973 | RELAY LEAD LAB2NS 2NO 24V |
| 1-3 | BMM1202A010A | △ MOTOR 24XO-TD | 1-67 | EP330351 | RELAY SIGNAL G2KU 1TR 24V |
| 1-4 | BRT1005A110B | REEL TABLE BLK TE (TAKE-UP) | 1-68 | ER330272 | R MF H F10 1/4W 3302F |
| 1-5 | BT308918 | △ TRANS POWER THT-1 (U) | 1-69 | ES 313622 | △ SW PUSH JP-27 01-2 J (U,J) |
| 1-6 | BT308919 | △ TRANS POWER THT-2 (J) | 1-70 | ES309058 | △ SW PUSH JP24 02-1 E (E,B,S,V) |
| 1-7 | BT308920 | △ TRANS POWER THT-3 (E,B,S,V) | 1-71 | ES309059 | △ SW PUSH JP27 01-2 UC (C,A) |
| 1-8 | BT308921 | △ TRANS POWER THT-4 (C,A) | 1-72 | ES319464 | SW LEVER 00420460 2-04-02S |
| 1-9 | BZT1008A190A | ROLLER (L) BLK GX-635D | 1-73 | ES319448 | SW LEVER 00420461 2-04-02N |
| 1-10 | BZT1008A190B | ROLLER (L) BLK GX-635D-BL | 1-74 | ES573478 | SW MICRO K3 UC |
| 1-11 | BZT1008A220A | ROLLER (R) BLK GX-635D | 1-75 | ES308929 | SW MICRO VV-S |
| 1-12 | BZT1008A220B | ROLLER (R) BLK GX-635D-BL | 1-76 | ES308925 | SW PUSH SUF12 2-02-02N |
| 1-13 | ED302091 | D GERMA H OA91-LF SNP | 1-77 | ES308914 | SW PUSH SUF12 2-04-02N |
| 1-14 | ED308953 | D GERMA H 1K34A-LH SNP | 1-78 | ES306714 | SW ROTARY SRU1023N 1-02-03N |
| 1-15 | ED302098 | D GERMA V OA91-FV F05 | 1-79 | ES306714 | SW ROTARY SRU1023N 1-02-03N |
| 1-16 | ED308952 | D GERMA V 1K34A-LR F07 | 1-80 | ES324007 | SW ROTARY SRU1023S 1-02-03S |
| 1-17 | ED249377 | D LED GL-3AR1 RED | 1-81 | ES301436 | SW SLIDE CL206E 2-06-02S |
| 1-18 | ED303005 | D LED GL-3HY1 YLW | 1-82 | ES301435 | SW SLIDE CL210E 2-10-02S |
| 1-19 | ED283138 | D LED GL-3PG1 GRN | 1-83 | ES309094 | SW SLIDE SL13-6-6-2-2 2-02-02N (U,J) |
| 1-20 | ED318988 | D LED SR505D RED | 1-84 | ET554657 | TR 2SA733A P,Q |
| 1-21 | ED330319 | D SILICON DBA10B 100/1.0A | 1-85 | ET522268 | TR 2SA733A Q |
| 1-22 | ED301911 | D SILICON H DS448 | 1-86 | ET666415 | TR 2SB605 K,L |
| 1-23 | ED316143 | D SILICON H 1S2473HS F10 | 1-87 | ET318237 | TR 2SB764 E,F |
| 1-24 | ED200468 | D SILICON V DS448 VB3 | 1-88 | ET200399 | TR 2SB856 B,C |
| 1-25 | ED560913 | D SILICON V 1S2473VE | 1-89 | ET312497 | TR 2SC1061 B,C YC40B |
| 1-26 | ED326168 | D SILICON 1D4B1 200/1.5A | 1-90 | ET317919 | TR 2SC1061 C,D |
| 1-27 | ED224550 | D SILICON 10D4 400/1.0A | 1-91 | ET517263 | TR 2SC1312R G,H |
| 1-28 | ED310607 | D ZENER H HZ18 2 | 1-92 | ET603257 | TR 2SC1312S G,H |
| 1-29 | ED332336 | D ZENER H HZ20 3 | 1-93 | ET308954 | TR 2SC1844 E,F |
| 1-30 | ED313623 | D ZENER H HZ22 3 | 1-94 | ET308937 | TR 2SC2130 G,H |
| 1-31 | ED309069 | D ZENER H HZ6 B2 | 1-95 | ET200505 | TR 2SC2603 E,F |
| 1-32 | ED331197 | D ZENER H HZ6 C1 | 1-96 | ET391768 | TR 2SC458LG C,D |
| 1-33 | ED510772 | D ZENER H WZ-120 | 1-97 | ET316171 | TR 2SC536K-NP E,F |
| 1-34 | ED539976 | D ZENER H WZ-130 | 1-98 | ET399846 | TR 2SC945L Q |
| 1-35 | EF300584 | △ FUSE EAK T 250V 1A (E,B,S,V) | 1-99 | ET639437 | TR 2SC945L Q,P |
| 1-36 | EF300591 | △ FUSE EAWK T 250V 0.50A (E,B,S,V) | 1-100 | ET639437 | TR 2SC945L Q,P |
| 1-37 | EF300592 | △ FUSE EAWK T 250V 0.63A (E,B,S,V) | 1-101 | ET666404 | TR 2SD571 K,L |
| 1-38 | EF683313 | △ FUSE SS2 250V 0.80A (C,A) | 1-102 | ET307349 | TR 2SD794 P,Q |
| 1-39 | EF308923 | △ FUSE SS2 250V 1.60A (C,A) | 1-103 | ET328440 | TR 2SD863-V8 E,F |
| 1-40 | EF659698 | △ FUSE SS2 250V 2A (C,A) | 1-104 | EV316442 | R S-FIX H D8 3P 102 |
| 1-41 | EF575932 | △ FUSE TLC A 250V 0.80A (U, J) | 1-105 | EV315542 | R S-FIX H D8 3P 103 |
| 1-42 | EF310455 | △ FUSE TLC A 250V 1.25A (U,J) | 1-106 | EV315753 | R S-FIX H D8 3P 203 |
| 1-43 | EF563681 | △ FUSE TLC A 250V 1A (U,J) | 1-107 | EV322417 | R S-FIX H D8 3P 303 |
| 1-44 | EF562691 | △ FUSE TLC A 250V 2.50A (U) | 1-108 | EV315541 | R S-FIX H D8 3P 503 |
| 1-45 | EF563703 | △ FUSE TLC A 250V 2A (J) | 1-109 | EV309071 | R S-FIX H V18K3-6 (4US) T3P 203 |
| 1-46 | EI304165 | IC MB400M | 1-110 | EV302718 | R S-FIX H V18K3-6 (4US) T3P 503 |
| 1-47 | EI305238 | IC MB417M | 1-111 | EV308917 | VR ROTARY 16L10XOM B102 |
| 1-48 | EI304166 | IC MB418M | 1-112 | EV332364 | VR ROTARY 16P11 XOY A503 A503 |
| 1-49 | EI308936 | IC M54410P | 1-113 | EV319316 | VR ROTARY 16P20x2A B103 |
| 1-50 | EI213390 | IC NJM4558D | 1-114 | EV331189 | VR ROTARY 16P20x2B B502 |
| 1-51 | EJ249467 | △ PLUG VOLTAGE SELECTOR S-I7207 3P (U) | 1-115 | EO330991 | C S-FIX H ECR-BC090M11 8.0-90 |
| 1-52 | EJ262732 | △ SOCKET SELECTOR S-I7223 U 7P (U) | 1-116 | HEH1305A010A | HEAD E E4-245 O |
| 1-53 | EJ324276 | DIN J TCS4680-01-111 P 8P | 1-117 | HPH1005A010A | HEAD PB P4-500 O |
| 1-54 | EM330374 | METER VU D64A24L 0.260mA | 1-118 | HRH1101A010A | HEAD REC R4-241 O |
| 1-55 | EM330600 | METER VU D64A27L 0.260mA (BL) | 1-119 | MB308701 | COUNTER BELT |
| 1-56 | EO330990 | COIL FIX 2 0358-042 510μH | 1-120 | MC305642 | COUNTER MP-499-08 |
| 1-57 | EO331190 | COIL OSC 1 2330-065 100kHz | 1-121 | MC305652 | COUNTER MP-499-09 (BL) |
| 1-58 | EO315758 | COIL TUN 1 100S-431 100kHz | 1-122 | MPB424023 | PINCH ROLLER PART KD |
| 1-59 | EO319447 | COIL TUN1 GYD-100K 100kHz | 1-123 | MTT1003A340A | BRAKE CLOTH ASSY GX-215D |
| 1-60 | EO319495 | COIL VARI1 GYD-102 1MHZ | | | |
| 1-61 | EP308949 | △ RELAY POWER FBR211BD024-M 1TR 24V | | | |
| 1-62 | EP300132 | △ RELAY POWER MY4-02-US-L 4TR 24V | | | |
| 1-63 | EP330363 | △ SOLENOID 0730FLT2 29V | | | |
| 1-64 | EP315918 | △ SOLENOID 1240PLTI | | | |

HEAD BLOCK

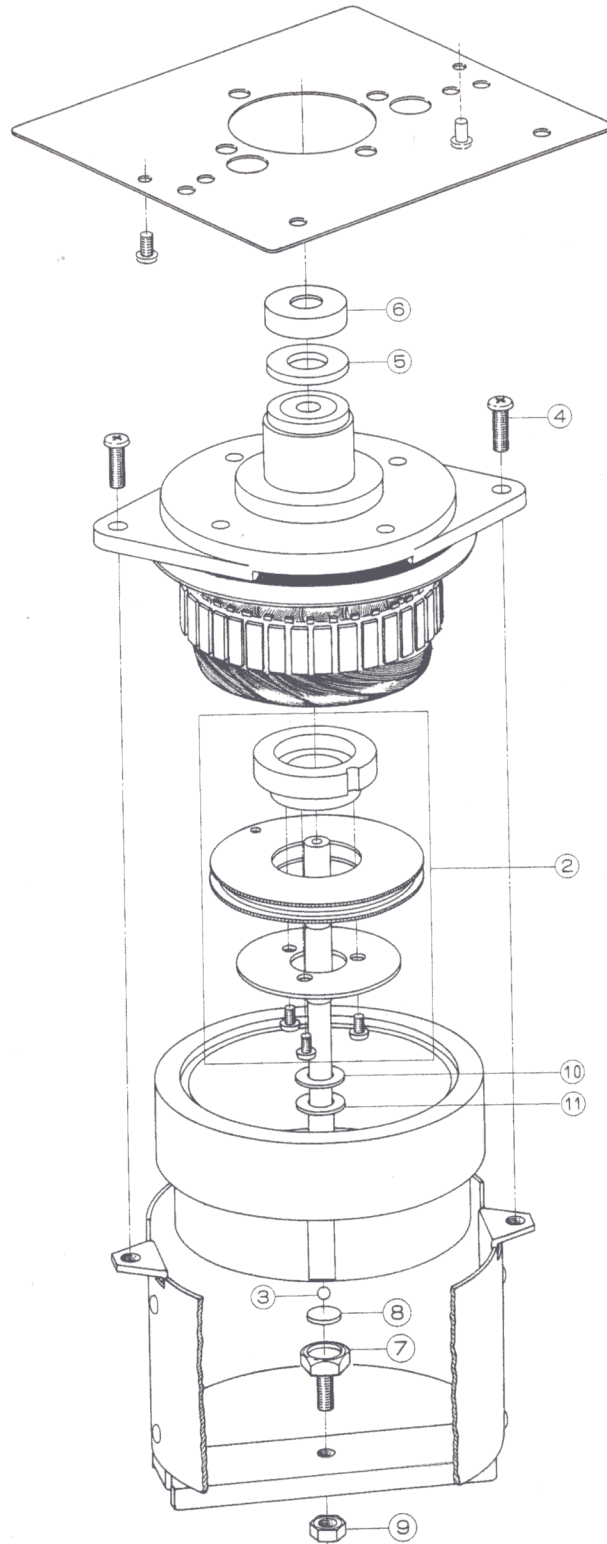


2. HEAD BLOCK

| REF. NO. | PARTS NO. | DESCRIPTION | REF. NO. | PARTS NO. | DESCRIPTION |
|----------|--------------|-------------------------|----------|--------------|---------------------|
| 2-1x | BHT1014A260A | HEAD BLK GX-646 | 2-16 | HA309409 | ER HEAD ANGLE (A) |
| 2-2 | ZW273914 | SW40 | 2-17 | HA309410 | ER HEAD ANGLE (B) |
| 2-3 | ZS413201 | PAN40x08STL CMT | 2-18 | HA330924A | PB HEAD ANGLE (R) |
| 2-4 | HZ528581 | TAPE GUIDE (A) | 2-19 | HA330924B | PB HEAD ANGLE (L) |
| 2-5 | MH578957 | TAPE GUIDE PROP | 2-20 | HEH1305A010A | HEAD E E4-245 O |
| 2-6 | ZW265522 | N30BRS NJ 3 2 | 2-21 | HRH1101A010A | HEAD REC R4-241 O |
| 2-7 | ZG466312 | ANGLE ADJUST SPRING (E) | 2-22 | HPH1005A010A | HEAD PB P4-500 O |
| 2-8 | HZ301777 | TAPE GUIDE (C) | 2-23 | ZS524812 | CTS20x04STL CMT |
| 2-9 | HZ308681 | HEAD SUB CHASSIS | 2-24 | ZS477876 | PAN20x03STL CMT |
| 2-10 | HB331113A | ER HEAD BASE (A) | 2-25 | ZS608095 | PAN20x05STL CMT |
| 2-11 | HB331113B | ER HEAD BASE (B) | 2-26 | ZS608477 | PAN30x04STL BNI |
| 2-12 | ZG540584 | ANGLE ADJUST SPRING (G) | 2-27 | ZW-309055 | PW30x060x050STL BNI |
| 2-13 | HZ308685 | PB HEAD BASE | 2-28 | ZS201778 | PAN40x08STL BNI |
| 2-14 | ZS608501 | PAN30x12STL BNI | 2-29 | ZS422076 | PAN30x05STL CMT |
| 2-15 | ZS417407 | PAN30x10STL BNI | | | |

When ordering parts, please quote Parts Number, Description and Model Number.

MOTOR BLOCK

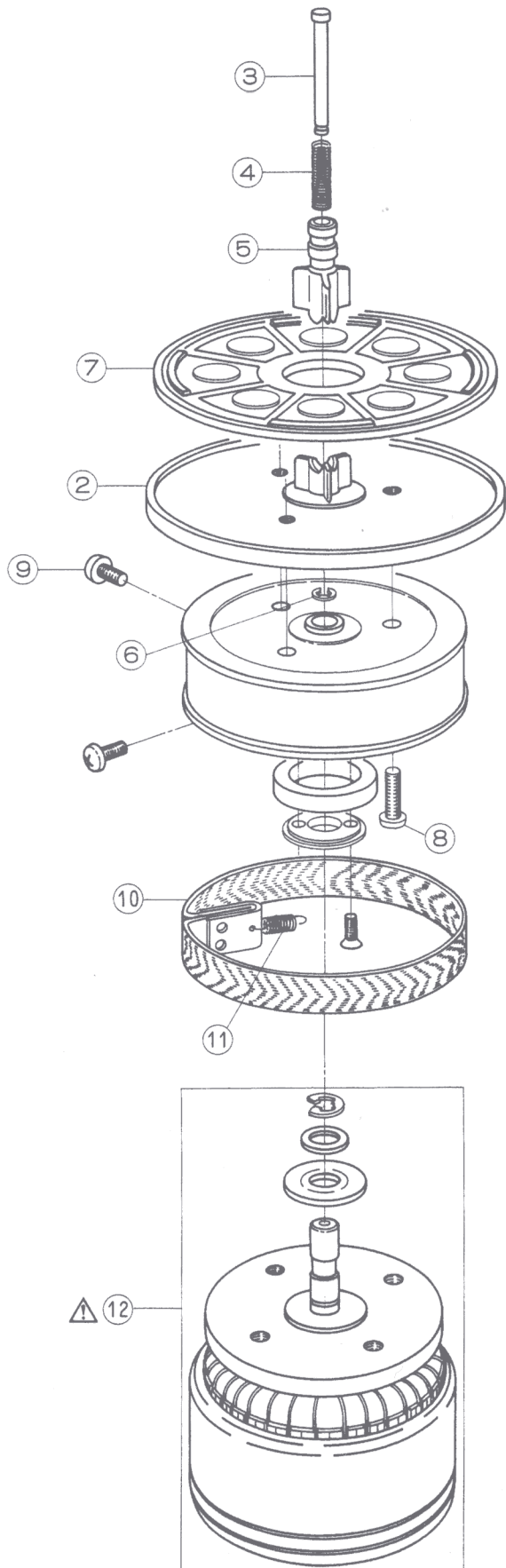


3. MOTOR BLOCK

| REF. NO. | PARTS NO. | DESCRIPTION | REF. NO. | PARTS NO. | DESCRIPTION |
|----------|--------------|----------------------------|----------|-----------|-------------------|
| 3-1x | BMM1101A010A | △ MOTOR SCM-200 | 3-7 | MZ585900 | SHAFT SUPPORT |
| 3-2 | BZM1101A040A | DETECTION GEAR BLK SCM-200 | 3-8 | MZ597690 | BALL HOLDER |
| 3-3 | MV368886 | BALL 300STL | 3-9 | ZW413278 | N50STL CMT 1 |
| 3-4 | ZS413201 | PAN40x08STL CMT | 3-10 | ZW597543 | THRUST WASHER |
| 3-5 | ZW597622 | FELT WASHER | 3-11 | ZW605698 | THRUST WASHER (B) |
| 3-6 | SK597633 | CAP | | | |

When ordering parts, please quote Parts Number, Description and Model Number.

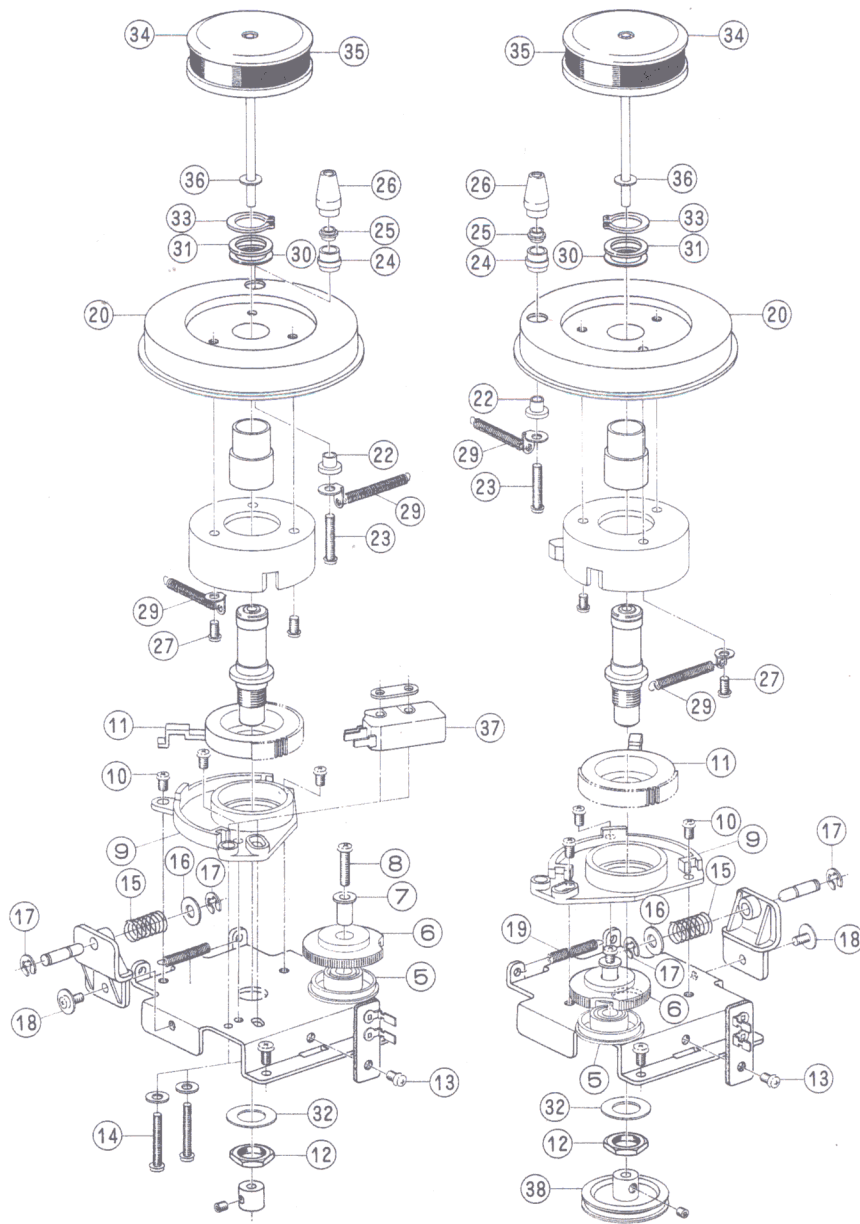
REEL TABLE BLOCK



4. REEL TABLE BLOCK

| REF. NO. | PARTS NO. | DESCRIPTION |
|----------|--------------|-----------------------------|
| 4-1x | BRT1005A110B | REEL TABLE BLK TE (TAKE-UP) |
| 4-2 | MT534666 | REEL TABLE |
| 4-3 | MS342000 | REEL SHAFT |
| 4-4 | ZG540617 | CLAMPER SPRING |
| 4-5 | MT534677 | REEL CLAMPER |
| 4-6 | ZW270088 | RING E 190SUP CMT |
| 4-7 | MT534688 | REEL TABLE RUBBER |
| 4-8 | ZS419670 | PAN30x12STL CMT |
| 4-9 | ZS424056 | PAN40x10STL CMT |
| 4-10 | MTT1003A340A | BRAKE CLOTH ASSY GX-215D |
| 4-11 | ZG317496 | FELT TENSION SPRING |
| 4-12 | BMM1202A010A | ⚠ MOTOR 24XO-TD |

ROLLER (L/R) BLOCK



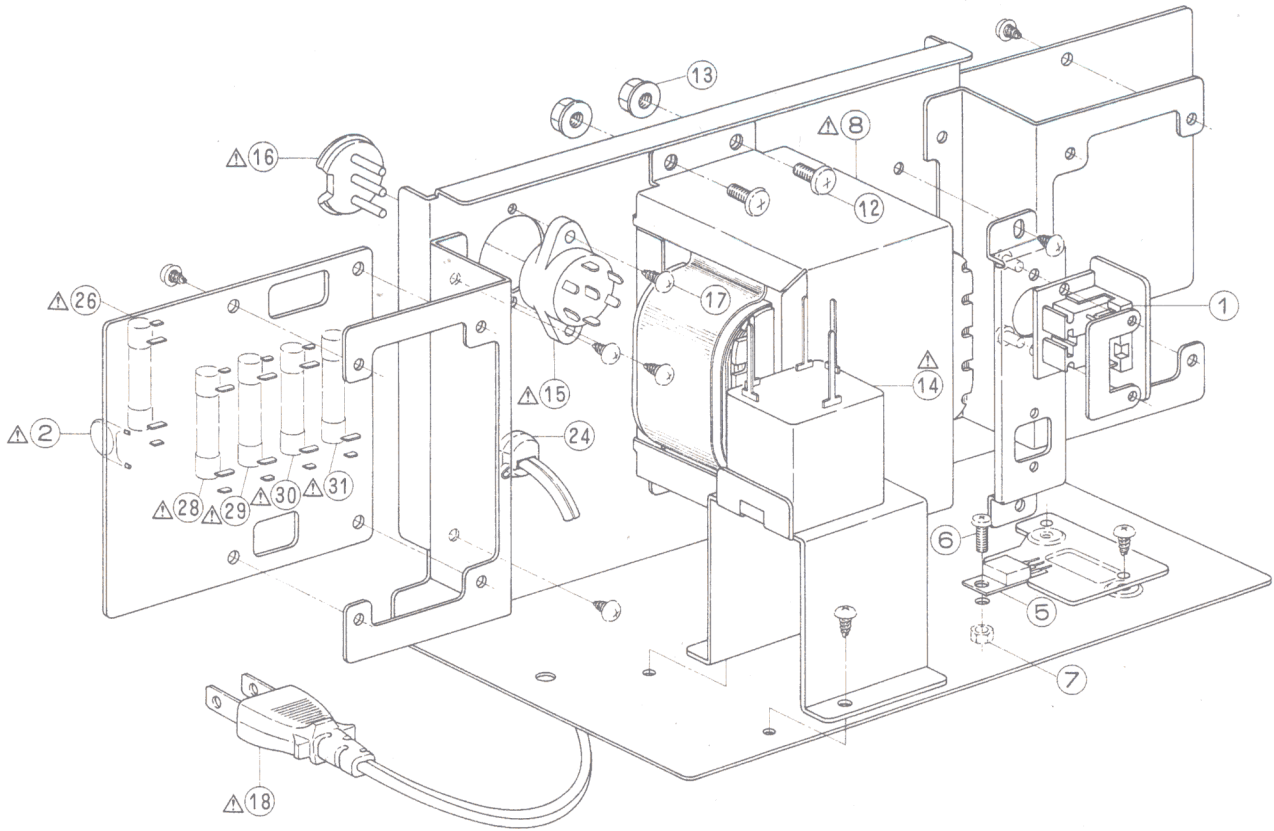
5. ROLLER (L/R) BLOCK

| REF. NO. | PARTS NO. | DESCRIPTION |
|----------|--------------|---------------------------|
| 5-1x | BZT1008A190A | ROLLER (L) BLK GX-635D |
| 5-2x | BZT1008A190B | ROLLER (L) BLK GX-635D-BL |
| 5-3x | BZT1008A220A | ROLLER (R) BLK GX-635D |
| 5-4x | BZT1008A220B | ROLLER (R) BLK GX-635D-BL |
| 5-5 | MZ315375 | DAMPER GEAR BASE |
| 5-6 | MZ315374 | DAMPER GEAR |
| 5-7 | MS315376 | DAMPER SHAFT |
| 5-8 | ZS419670 | PAN30x12STL CMT |
| 5-9 | SZ308717 | ARM DAMPER BASE |
| 5-10 | ZS417216 | PAN30x04STL CMT |
| 5-11 | MZ315373 | ARM GEAR |
| 5-12 | ZW318099 | NUT M9 |
| 5-13 | ZS417216 | PAN30x04STL CMT |
| 5-14 | ZS319473 | BID26x18STL CMT |
| 5-15 | ZG308722 | LOCK SPRING |
| 5-16 | ZW308930 | PW42x090x025PBR |
| 5-17 | ZW270101 | RING E300SUP CMT |
| 5-18 | ZS608321 | PAN30x06STL CMT PW080 |
| 5-19 | ZG567685 | AZIMUTH SPRING (1) |
| 5-20 | M1308707 | TENSION WHEEL |

| REF. NO. | PARTS NO. | DESCRIPTION |
|----------|-----------|---------------------------|
| 5-21x | MI315558 | TENSION WHEEL (BL) |
| 5-22 | EZ308712 | INSULATOR BUSH |
| 5-23 | ZS422965 | PAN30x15STL CMT |
| 5-24 | HZ308710 | TAPE GUIDE (B) |
| 5-25 | MZ535072 | INSULATOR BUSH (A) |
| 5-26 | HZ308709 | TAPE GUIDE (A) |
| 5-27 | ZS479474 | PAN26x05STL CMT |
| 5-28x | ZS572242 | CTS26x06STL CMT |
| 5-29 | ZG312399 | SP T1-3.2/0.2-31.5 T1-049 |
| 5-30 | ZW313873 | PW105x140x050NYL |
| 5-31 | ZW313872 | PW105x140x013PSL |
| 5-32 | ZW330865 | PW105x140x10PBR |
| 5-33 | ZW307294 | RING C 930SUP PKR |
| 5-34 | MR308713 | COUNTER ROLLER |
| 5-35 | MB308714 | ROLLER BELT |
| 5-36 | ZW308928 | PW24x070x020TFL |
| 5-37 | ES308929 | SW MICRO VV-S |
| 5-38 | MR308715 | ROLLER PULLEY |

When ordering parts, please quote Parts Number, Description and Model Number.

POWER BLOCK



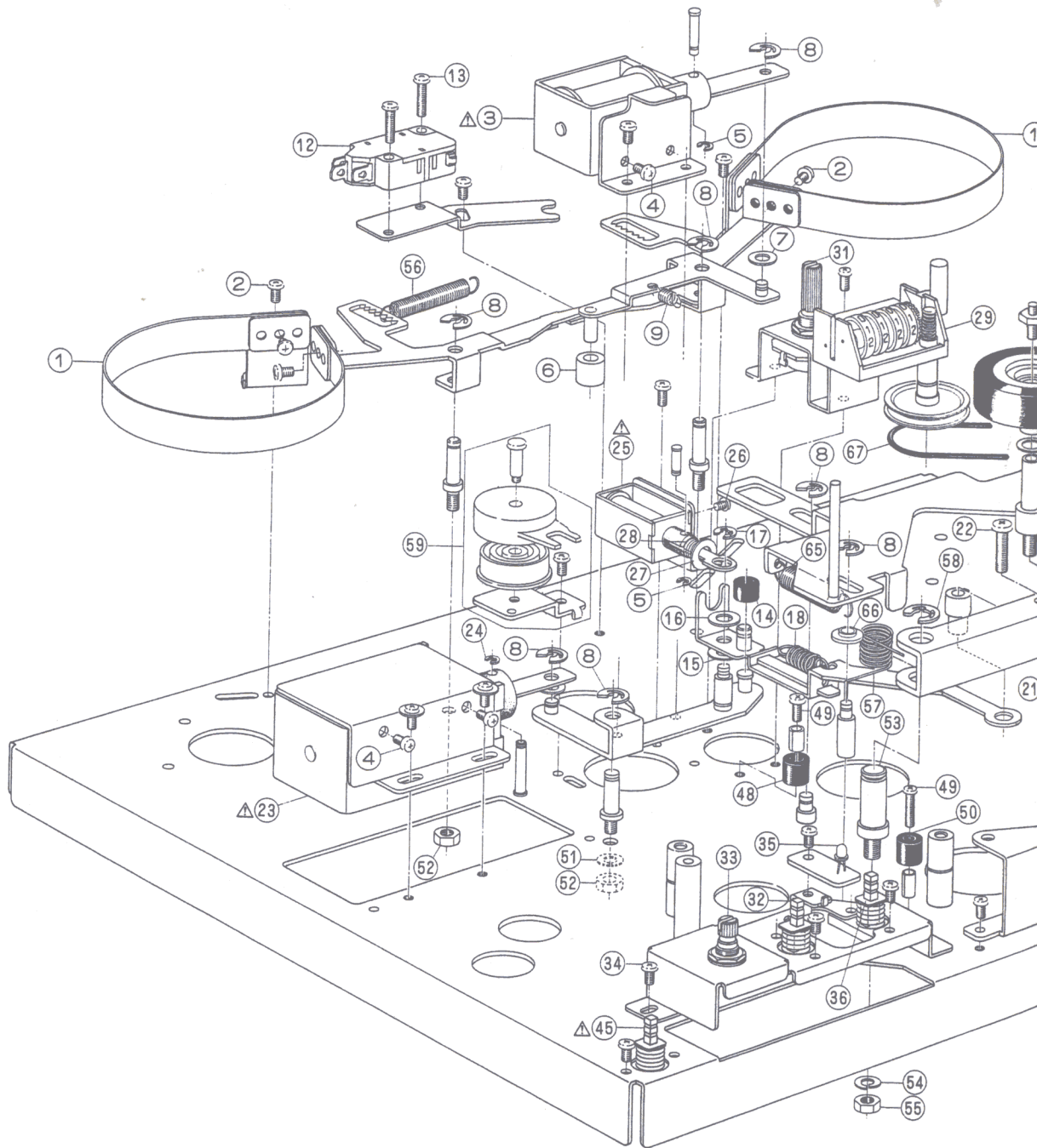
6. POWER BLOCK

| REF. NO. | PARTS NO. | DESCRIPTION |
|--------------------------------|-----------|---|
| REMOCON P.C BOARD BLOCK | | |
| 6-1 | EJ324276 | DIN J TCS4680-01-111 P 8P |
| FUSE P.C BOARD BLOCK | | |
| 6-2 | EC320548 | △ C CE V F 103Z 250AC (C1)(U,J) |
| 6-3x | EC314688 | △ C CE V FZ 103P 125AC (C1)(C,A) |
| 6-4x | EC327382 | △ C MP V 472M 250AC (C1,2) (E,B,S,V) |
| POWER BLOCK | | |
| 6-5 | ET308947 | TR 2SC2336B Q,R |
| 6-6 | ZS421806 | PAN30x08STL CMT |
| 6-7 | ZW516993 | N30STL CMT 1 |
| 6-8 | BT308918 | △ TRANS POWER THT-1 (U) |
| 6-9x | BT308919 | △ TRANS POWER THT-2 (J) |
| 6-10x | BT308921 | △ TRANS POWER THT-4 (C,A) |
| 6-11x | BT308920 | △ TRANS POWER THT-3 (E,B,S,V) |
| 6-12 | ZS435273 | BID40x10STL CMT |
| 6-13 | ZW413267 | N FRANGE 40STL CMT |
| 6-14 | EC316065 | △ C MMY V HFV SPECIAL 250AC (C901) |
| 6-15 | EJ262732 | △ SOCKET SELECTOR S-I7223 U 7P (VS901)(U) |
| 6-16 | EJ249467 | △ PLUG VOLTAGE SELECTOR S-I7207 3P (U) |
| 6-17 | ZS463353 | T2BR30x08STL BNI |
| 6-18 | EW306428 | △ AC CORD 2 CORES KP-205A, VFF J (U) |
| 6-19x | EW306427 | △ AC CORD 2 CORES KP-211, VFF J (J) |
| 6-20x | EW305691 | △ AC CORD 2 CORES KP-8, SPT-1 UC (C,A) |
| 6-21x | EW313882 | △ AC CORD 2 CORES KP-419C, LTCE-2F E (E,V) |

| REF. NO. | PARTS NO. | DESCRIPTION |
|----------|-----------|--|
| 6-22x | EW313884 | △ AC CORD 2 CORES GTBS-2F 24/0.20x2 B (B) |
| 6-23x | EW201515 | △ AC CORD 2 CORES KP-560, LTSA-2F S (S) |
| 6-24 | SZ631945 | STRAIN RELIEF SR-4N-4 (U,J,C,A,E,S,V) |
| 6-25x | EJ692908 | STRAIN RELIEF SR-5N-4 (B) |
| 6-26 | EF562691 | △ FUSE TLC A 250V 2.50A (F1)(U) |
| 6-27x | EF310455 | △ FUSE TLC A 250V 1.25A (F1)(U) |
| 6-28 | EF616555 | △ FUSE TLC A 250V 1.60A (F2)(U) |
| 6-29 | EF575932 | △ FUSE TLC A 250V 0.80A (F3)(U) |
| 6-30 | EF563681 | △ FUSE TLC A 250V 1A (F4)(U) |
| 6-31 | EF575932 | △ FUSE TLC A 250V 0.80A (F5)(U) |
| 6-32x | EF563703 | △ FUSE TLC A 250V 2A (F1)(J) |
| 6-33x | EF616555 | △ FUSE TLC A 250V 1.60A (F2)(J) |
| 6-34x | EF575932 | △ FUSE TLC A 250V 0.80A (F3)(J) |
| 6-35x | EF563681 | △ FUSE TLC A 250V 1A (F4)(J) |
| 6-36x | EF575932 | △ FUSE TLC A 250V 0.80A (F5)(J) |
| 6-37x | EF659698 | △ FUSE SS2 250V 2A (F1)(C,A) |
| 6-38x | EF308923 | △ FUSE SS2 250V 1.60A (F2)(C,A) |
| 6-39x | EF683313 | △ FUSE SS2 250V 0.80A (F3to5) (C,A) |
| 6-40x | EF300592 | △ FUSE EAWK T 250V 0.63A (F1) (E,B,S,V) |
| 6-41x | EF300584 | △ FUSE EAK T 250V 1A (F2) (E,B,S,V) |
| 6-42x | EF300591 | △ FUSE EAWK T 250V 0.50A (F3) (E,B,S,V) |
| 6-43x | EF300584 | △ FUSE EAK T 250V 1A (F4)(E,B,S,V) |
| 6-44 | EF300591 | △ FUSE EAWK T 250V 0.50A (F5) (E,B,S,V) |

When ordering parts, please quote Parts Number, Description and Model Number.

MECHA BLOCK

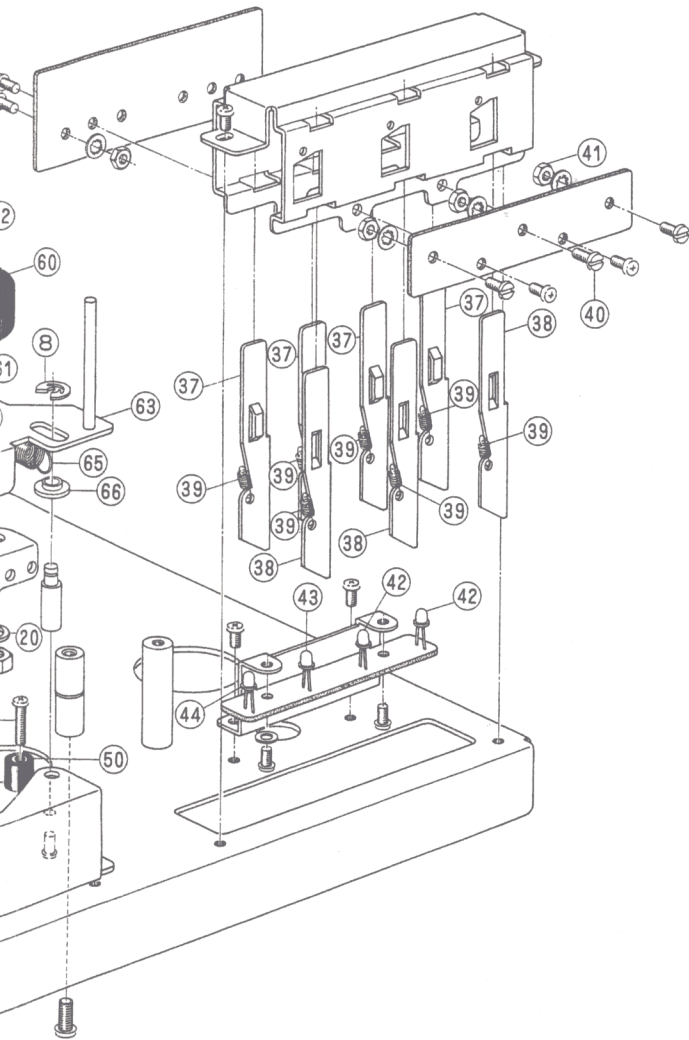


7. MECHA BLOCK

| REF. NO. | PARTS NO. | DESCRIPTION |
|----------------------------|-----------|---------------------|
| BRAKE LEVER BLOCK | | |
| 7-1 | MT314987 | BRAKE BAND |
| 7-2 | ZS417216 | PAN30x04STL CMT |
| BRAKE PLUNGER BLOCK | | |
| 7-3 | EP315918 | Δ SOLENOID 1240PLTI |
| 7-4 | ZS422076 | PAN30x05STL CMT |
| 7-5 | ZW270088 | RING E 190SUP CMT |
| 7-6 | MZ397181 | LEVER CUSHION |
| 7-7 | ZW420682 | PW42x090x050NYL |
| 7-8 | ZW290283 | RING U 285SUP CMT |
| 7-9 | ZG580522 | CLUTCH LEVER SPRING |
| 7-10x | ZW616004 | PW31x080x100STL CMT |
| 7-11x | ZS323728 | BID30x05STL CMT |

| REF. NO. | PARTS NO. | DESCRIPTION |
|------------------------------|-----------|--------------------|
| SWITCH PLATE BLOCK | | |
| 7-12 | ES573478 | SW MICRO K3 UC |
| 7-13 | ZS419670 | PAN30x12STL CMT |
| P PLUNGER LEVER BLOCK | | |
| 7-14 | MB428343 | KD STOPPER RUBBER |
| 7-15 | ZW405865 | PW51x103x050NYL |
| 7-16 | ZW260043 | PW61x100x020NYL |
| 7-17 | ZW270123 | RING E400SUP CMT |
| 7-18 | ZG308728 | P SPRING |
| 7-19 | MS527591 | PINCH ROLLER SHAFT |
| 7-20 | ZW274026 | SW50 |
| 7-21 | ZW413278 | N50STL CMT 1 |
| 7-22 | ZS444262 | BID40x18STL CMT |

When ordering parts, please quote Parts Number, Description and Model Number.



| REF. NO. | PARTS NO. | DESCRIPTION |
|----------------------------|-----------|-------------------------|
| PR PLUNGER BLOCK | | |
| 7-23 | EP316121 | ▲ SOLENOID 1664PLT1 |
| 7-24 | ZW357164 | RING E230SUP CMT |
| PAUSE PLUNGER BLOCK | | |
| 7-25 | EP330363 | ▲ SOLENOID 0730FLT2 29V |
| 7-26 | ZS592378 | PAN26x03STL CMT |
| 7-27 | ZW313593 | PW51x103x050PBR |
| 7-28 | ZG308734 | JOINT SPRING |
| COUNTER BLOCK | | |
| 7-29 | MC305642 | COUNTER MP-499-08 |
| 7-30x | MC305652 | COUNTER MP-499-09 (BL) |

| REF. NO. | PARTS NO. | DESCRIPTION |
|--------------------------------------|--------------|---------------------------------|
| VOLUME ASSY | | |
| 7-31 | EV308917 | VR ROTARY 16L10XOMB102 |
| SWITCH BLOCK | | |
| 7-32 | ES308914 | SW PUSH SUF12 2-04-02N |
| 7-33 | ES324007 | SW ROTARY SRU1023S 1-02-03S |
| 7-34 | ZS422076 | PAN30x05STL CMT |
| 7-35 | ED318988 | D LED SR505D RED |
| 7-36 | ES308925 | SW PUSH SUF12 2-02-02N |
| OPERATION BLOCK | | |
| 7-37 | ML308737 | OPERATION PLATE (A) |
| 7-38 | ML308677 | OPERATION PLATE (B) |
| 7-39 | ZG576314 | FF IDLER SPRING |
| OPERATION P.C BOARD (A) BLOCK | | |
| 7-40 | ZG302720 | -FLL30x06STL BNI |
| 7-41 | ZW273756 | N30BRS 1 |
| LED P.C BOARD BLOCK | | |
| 7-42 | ED283138 | D LED GL-3PG1 GRN |
| 7-43 | ED303005 | D LED GL-3HY1 YLW |
| 7-44 | ED249377 | D LED GL-3AR1 RED |
| POWER SWITCH ASSY | | |
| 7-45 | ES313622 | ▲ SW PUSH JP-27 01-2 J (U,J) |
| 7-46x | ES309059 | ▲ SW PUSH JP27 01-2 UC (C,A) |
| 7-47x | ES309058 | ▲ SW PUSH JP24 02-1 E (E,B,S,V) |
| ASSEMBLY BLOCK | | |
| 7-48 | MB606712 | KJ STOPPER RUBBER |
| 7-49 | ZS419670 | PAN30x12STL CMT |
| 7-50 | MB428343 | KD STOPPER RUBBER |
| 7-51 | ZW273914 | SW40 |
| 7-52 | ZW413188 | N40STL CMT 1 |
| 7-53 | MS308695 | PINCH ROLLER ARM SHAFT |
| 7-54 | ZW274026 | SW50 |
| 7-55 | ZW413278 | N50STL CMT 1 |
| 7-56 | ZG313078 | SP T1-6.3/0.5-50.0 T1-190 |
| 7-57 | ZG301340 | PINCH ROLLER SPRING |
| 7-58 | ZW270156 | RING E 600SUP CMT |
| 7-59 | BZT1009A080A | PR DAMPER BLK GX-747 |
| 7-60 | MPB424023 | PINCH ROLLER PART KD |
| 7-61 | ZW376391 | PW61x100x013PSL |
| 7-62 | ZS527681 | PINCH ROLLER SET SCREW |
| 7-63 | MLB330939 | SHIFTER SLIDE PART |
| 7-64x | VT422673 | BRAKE RUBBER BUSH |
| 7-65 | ZG317114 | TENSION LEVER SPRING |
| 7-66 | ZW580173 | GUIDE WASHER |
| 7-67 | MB308701 | COUNTER BELT |

8. SYS. CON. P.C BOARD BLOCK

| REF. NO. | PARTS NO. | DESCRIPTION | REF. NO. | PARTS NO. | DESCRIPTION |
|------------|--------------|---|-------------|-----------|--|
| 8-1 | BAT1014A130A | PC SYSCON BLK GX-646 (U) (U,J) | 8-R112 | ER308955 | R CT P 20W 360K |
| 8-2 | BAT1014A130B | PC SYSCON BLK GX-646 (C) (C,A) | 8-FR1 | ER561216 | △ R FUSE FRN50 200mA 1/4W 101K |
| 8-3 | BAT1014A130C | PC SYSCON BLK GX-646 (E) (E,B,S,V) | 8-C35to37 | EC304708 | C TT V D 470M 6.3DC |
| 8-IC1 | EI308936 | IC M54410P | 8-C39,40 | EC313534 | C EC V F05 NP 04D 100M 16DC |
| 8-IC2,3 | EI304165 | IC MB400M | 8-C44,45 | EC308940 | C EC V F05 NP 04D R47M 50DC |
| 8-IC4 | EI305238 | IC MB417M | 8-C46,47 | EC308950 | C TT V D 100M 6.3DC |
| 8-IC5 | EI304166 | IC MB418M | 8-C48 | EC301912 | C EC V SNP NM 471 160DC |
| 8-TR1 | ET312497 | △ TR 2SC1061 B,C YC40B | 8-C49 | EC321297 | C EC V CUT H 470M 100DC |
| 8-TR2 | ET200505 | TR 2SC2603 E,F | 8-C52 | EC310366 | C MMY V MEU 474M 150AC |
| 8-TR3 | ET307349 | △ TR 2SD794 P,Q | 8-C53 | EC310374 | C TT V D 101M 3.1DC |
| 8-TR4to8 | ET200505 | TR 2SC2603 E,F | 8-C101to124 | EC201390 | C MMY V MEU 104M 150AC (E,B,S,V) |
| 8-TR9,10 | ET554657 | TR 2SA733A P,Q | 8-C130,131 | EC316194 | C MMY V CUT CF921 474K 250DC |
| 8-TR11 | ET200505 | TR 2SC2603 E,F | 8-C132 | EC321088 | C MMY V CF921 473K 400DC |
| 8-TR12 | ET554657 | TR 2SA733A P,Q | 8-CR1to12 | ER310373 | △ SPARK QUENCHER NSK115 104C+121R 125AC |
| 8-TR14,15 | ET200505 | TR 2SC2603 E,F | | | |
| 8-TR16to19 | ET308937 | TR 2SC2130 G,H | | | |
| 8-TR20 | ET522268 | TR 2SA733A Q | | | |
| 8-TR21 | ET399846 | TR 2SC945L Q | | | |
| 8-TR22 | ET308937 | TR 2SC2130 G,H | | | |
| 8-TR23 | ET200505 | TR 2SC2603 E,F | | | |
| 8-TR24, 25 | ET308937 | TR 2SC2130 G,H | | | |
| 8-TR26to33 | ET200505 | TR 2SC2603 E,F | | | |
| 8-D1 | ED330319 | D SILICON DBA10B 100/1.0A | | | |
| 8-D2 | ED313623 | D ZENER H HZ22 3 | | | |
| 8-D3 | ED330319 | △ D SILICON DBA10B 100/1.0A | | | |
| 8-D4 | ED309069 | D ZENER H HZ6 B2 | | | |
| 8-D5 | ED539976 | D ZENER H WZ-130 | | | |
| 8-D6 | ED510772 | D ZENER H WZ-120 | | | |
| 8-D7,8 | ED200468 | D SILICON V DS448 VB3 | | | |
| 8-D9 | ED326168 | △ D SILICON 1D4B1 200/1.5A | | | |
| 8-D13 | ED302091 | △ D GERMA H OA91-LF SNP | | | |
| 8-D14 | ED302098 | D GERMA V OA91-FV F05 | | | |
| 8-D15 | ED301911 | D SILICON H DS448 | | | |
| 8-D16 | ED200468 | D SILICON V DS448 VB3 | | | |
| 8-D17 | ED302098 | D GERMA V OA91-FV F05 | | | |
| 8-D18 | ED301911 | D SILICON H DS448 | | | |
| 8-D19to22 | ED200468 | D SILICON V DS448 VB3 | | | |
| 8-D24 | ED301911 | D SILICON H DS448 | | | |
| 8-D26,27 | ED200468 | D SILICON V DS448 VB3 | | | |
| 8-D28 | ED302091 | D GERMA H OA91-LF SNP | | | |
| 8-D29to32 | ED200468 | D SILICON V DS448 VB3 | | | |
| 8-D33,34 | ED302098 | D GERMA V OA91-FV F05 | | | |
| 8-D35 | ED301911 | D SILICON H DS448 | | | |
| 8-D36to38 | ED302098 | D GERMA V OA91-FV F05 | | | |
| 8-D39,40 | ED560913 | D SILICON V 1S2473VE | | | |
| 8-D41 | ED200468 | D SILICON V DS448 VB3 | | | |
| 8-D42 | ED302091 | D GERMA H OA91-LF SNP | | | |
| 8-D43 | ED200468 | D SILICON V DS448 VB3 | | | |
| 8-D44 | ED302098 | D GERMA V OA91-FV F05 | | | |
| 8-D45 | ED302091 | D GERMA H OA91-LF SNP | | | |
| 8-D46 | ED302098 | D GERMA V OA91-FV F05 | | | |
| 8-D47,48 | ED200468 | D SILICON V DS448 VB3 | | | |
| 8-D49 | ED306109 | D SILICON W03B 100/1.0A | | | |
| 8-D50 | ED326168 | △ D SILICON 1D4B1 200/1.5A | | | |
| 8-D51,52 | ED224550 | D SILICON 10D4 400/1.0A | | | |
| 8-D53 | ED200468 | D SILICON V DS448 VB3 | | | |
| 8-D54 | ED224550 | D SILICON 10D4 400/1.0A | | | |
| 8-D56 | ED224550 | D SILICON 10D4 400/1.0A | | | |
| 8-D57 | ED200468 | D SILICON V DS448 VB3 | | | |
| 8-D60 | ED200468 | D SILICON V DS448 VB3 | | | |
| 8-SW1 | ES309094 | SW SLIDE SL13-6-6-2-2 2-02-02N (U,J) | | | |
| 8-VR1 | EV302718 | R S-FIX H V18K3-6(4US) T3P 503 | | | |
| 8-VR2 | EV309071 | R S-FIX H V18K3-6(4US) T3P 203 | | | |
| 8-RL1to4 | EP300132 | △ RELAY POWER MY4-02-US-L 4TR 24V | | | |
| 8-RL5 | EP308949 | △ RELAY POWER FBR211BD024-M 1TR 24V | | | |
| 8-R28 | ER330680 | △ R CB H FS RDS 1/4W 331J | | | |
| 8-R29 | ER330677 | △ R CB H FS RDS 1/4W 181J | | | |
| 8-R110 | ER309092 | R OMF H 2W 821K | | | |
| 8-R111 | ER315356 | R CT P 20W 551K | | | |

9. PRE AMP P.C BOARD BLOCK

| REF. NO. | PARTS NO. | DESCRIPTION |
|-------------|--------------|--|
| 9-1 | BAT1014A350A | PC PRE AMP BLK GX-646 (U) (U,C,A) |
| 9-2 | BAT1014A350B | PC PRE AMP BLK GX-646 (J) |
| 9-3 | BAT1014A350C | PC PRE AMP BLK GX-646 (E) (E,B,S,V) |
| 9-IC1 | EI213390 | IC NJM4558D |
| 9-TR1 | ET603257 | TR 2SC1312S G,H |
| 9-TR2 | ET308954 | TR 2SC1844 E,F |
| 9-TR3 | ET328440 | TR 2SD863-V8 E,F |
| 9-TR4,5 | ET639437 | TR 2SC945L Q,P |
| 9-TR6 | ET200399 | TR 2SB856 B,C |
| 9-TR7 | ET517263 | TR 2SC1312R G,H |
| 9-TR8,9 | ET328440 | TR 2SD863-V8 E,F |
| 9-TR10 | ET308954 | TR 2SC1844 E,F |
| 9-TR11 | ET603257 | TR 2SC1312S G,H |
| 9-TR13 | ET391768 | TR 2SC458LG C,D |
| 9-TR14 | ET639437 | TR 2SC945L Q,P |
| 9-TR15 | ET517263 | TR 2SC1312R G,H |
| 9-TR16 | ET639437 | TR 2SC945L Q,P |
| 9-TR17 | ET328440 | TR 2SD863-V8 E,F |
| 9-TR18 | ET18237 | TR 2SB764 E,F |
| 9-TR19,20 | ET639437 | TR 2SC945L Q,P |
| 9-TR24 | ET318237 | TR 2SB764 E,F |
| 9-TR25 | ET517263 | TR 2SC1312R G,H |
| 9-TR26 | ET639437 | TR 2SC945L Q,P |
| 9-D1to3 | ED301911 | D SILICON H DS448 |
| 9-D4,5 | ED308953 | D GERMA H 1K34A-LH SNP |
| 9-D6 | ED301911 | D SILICON H DS448 |
| 9-D7,8 | ED316143 | D SILICON H 1S2473HS F10 |
| 9-D9 | ED301911 | D SILICON H DS448 |
| 9-D12 | ED316143 | D SILICON H 1S2473HS F10 |
| 9-D14,15 | ED301911 | D SILICON H DS448 |
| 9-D16 | ED332336 | D ZENER H HZ20 3 |
| 9-D18 to 21 | ED301911 | D SILICON H DS448 |
| 9-J1 | EJ308986 | PIN J 1784P1782 P 4P (U,C,A,J) |
| 9-J1 | EJ308985 | JACK PLATE DIN, PIN JACK 4P (E,B,S,V) |
| 9-J2 | EJ331184 | PHONE J Hlj0345-100 2x2P (U,C,A,J) |
| 9-J2 | EJ321328 | PHONE J Hlj0345-010 2x3P (E,B,S,V) |
| 9-J3 | EJ330545 | PHONE J 3P Hlj0315-020 6.3 |
| 9-SW1 | ES301435 | SW SLIDE CL210E 2-10-02S |
| 9-SW2 | ES330372 | SW PUSH SUE24 2-THROW |
| 9-SW3,4 | ES319464 | SW LEVER 00420460 2-04-02S |
| 9-SW5 | ES319448 | SW LEVER 00420461 2-04-02N |
| 9-SW6 | ES306714 | SW ROTARY SRU1023N 1-02-03N |
| 9-SW7 | ES301436 | SW SLIDE CL206E 2-06-02S |
| 9-VR1to3 | EV315753 | R S-FIX H D8 3P 203 |
| 9-VR4 | EV315542 | R S-FIX H D8 3P 103 |
| 9-VR5,6 | EV315541 | R S-FIX H D8 3P 503 |
| 9-VR7 | EV319316 | VR ROTARY 16P20x2A B103 |
| 9-VR8 | EV316442 | R S-FIX H D8 3P 102 |
| 9-VR9 | EV322417 | R S-FIX H D8 3P 303 |
| 9-VL1 | EO319495 | COIL VARI1 GYD-102 1MHz |
| 9-RL1,2 | EP308973 | RELAY LEAD LAB2NS 2NO 24V |
| 9-FL1 | EO315758 | COIL TUN 1 100S-431 100kHz |
| 9-FL2 | EO319447 | COIL TUN 1 GYD-100K 100kHz |
| 9-T1 | EO331190 | COIL OSC 2 2330-065 100kHz |
| 9-L1,2 | EO330990 | COIL FIX 2 0358-042 510μH |
| 9-VC1,2 | EO330991 | C S-FIX H ECR-BC090M11 8.0-90 |
| 9-R7 | ER331562 | △ R OMF H SNP FS 1W 471J |
| 9-FR1 | ER308898 | △ R FUSE FR25SJ 1/4W 101J |
| 9-FR2,3 | ER331188 | △ R FUSE ERD2FC F10 1/4W 8R2J |
| 9-C20 | EC325380 | C PP V F10 PFH 332J 630DC |
| 9-C24 | EC310440 | C STY V F05 CQF09 471J 50DC |
| 9-C29,30 | EC314990 | C STY V SNP CQFS 101J 50DC |
| 9-C55 | EC314995 | C STY V SNP CQFS 331J 50DC |

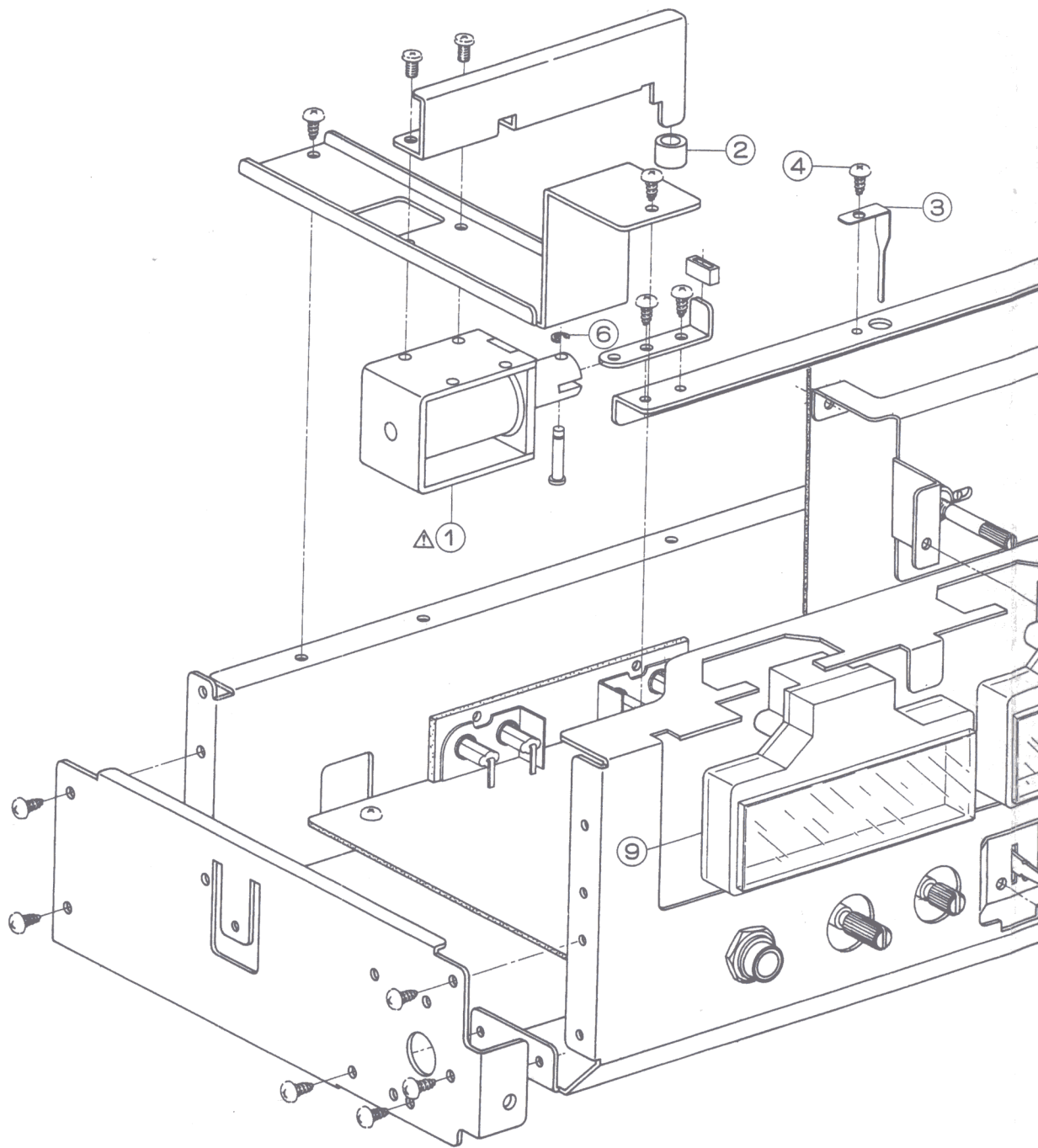
10. TIMER P.C BOARD BLOCK

| REF. NO. | PARTS NO. | DESCRIPTION |
|------------|--------------|--------------------------|
| 10-1 | BAT1014A300A | PC TIMER BLK GX-646 |
| 10-TR1,2 | ET666415 | TR 2SB605 K,L |
| 10-TR3 | ET666404 | TR 2SD571 K,L |
| 10-TR4 | ET316171 | TR 2SC536K-NP E,F |
| 10-TR5,6 | ET666404 | TR 2SD571 K,L |
| 10-TR7to11 | ET316171 | TR 2SC536K-NP E,F |
| 10-TR12,13 | ET554657 | TR 2SA733A P,Q |
| 10-TR14 | ET316171 | TR 2SC536K-NP E,F |
| 10-TR15,16 | ET200505 | TR 2SC2603 E,F |
| 10-TR17 | ET317919 | △ TR 2SC1061 C,D |
| 10-D1to8 | ED560913 | D SILICON V 1S2473VE |
| 10-D9 | ED331197 | D ZENER H HZ6 C1 |
| 10-D10 | ED310607 | D ZENER H HZ18 2 |
| 10-D11 | ED308952 | D GERMA V 1K34A-LR F07 |
| 10-RL1 | EP330351 | RELAY SIGNAL G2KU 1TR 24 |

11. MIC AMP P.C BOARD BLOCK

| REF. NO. | PARTS NO. | DESCRIPTION |
|----------|--------------|--|
| 11-1 | BAT1014A400A | PC MIC AMP BLK GX-646 (U) (U,J,C,A) |
| 11-2 | BAT1014A400B | PC MIC AMP BLK GX-646 (E) (E,B,S,V) |
| 11-TR1 | ET308954 | TR 2SC1844 E,F |
| 11-TR2 | ET603257 | TR 2SC1312S G,H |
| 11-TR3 | ET308954 | TR 2SC1844 E,F |
| 11-TR4,5 | ET639437 | TR 2SC945L Q,P |
| 11-VR1,2 | EV332364 | VR ROTARY 16P11XOY A503 A50 |
| 11-FL1 | EO319447 | COIL TUN1 GYD-100K 100kHz |
| 11-C1 | EC312012 | C STY V F05 CQF09 561J 50DC |
| 11-C3 | EC314995 | C STY V SNP CQFS 331J 50DC |
| 11-C4 | EC474671 | C MC V FM 100K 500DC |
| 11-C6 | EC317918 | C TT V D 2R2K 16DC |
| 11-VR1 | EV331189 | VR ROTARY 16P20x2B B502 |

ASSEMBLY BLOCK



12. ASSEMBLY B

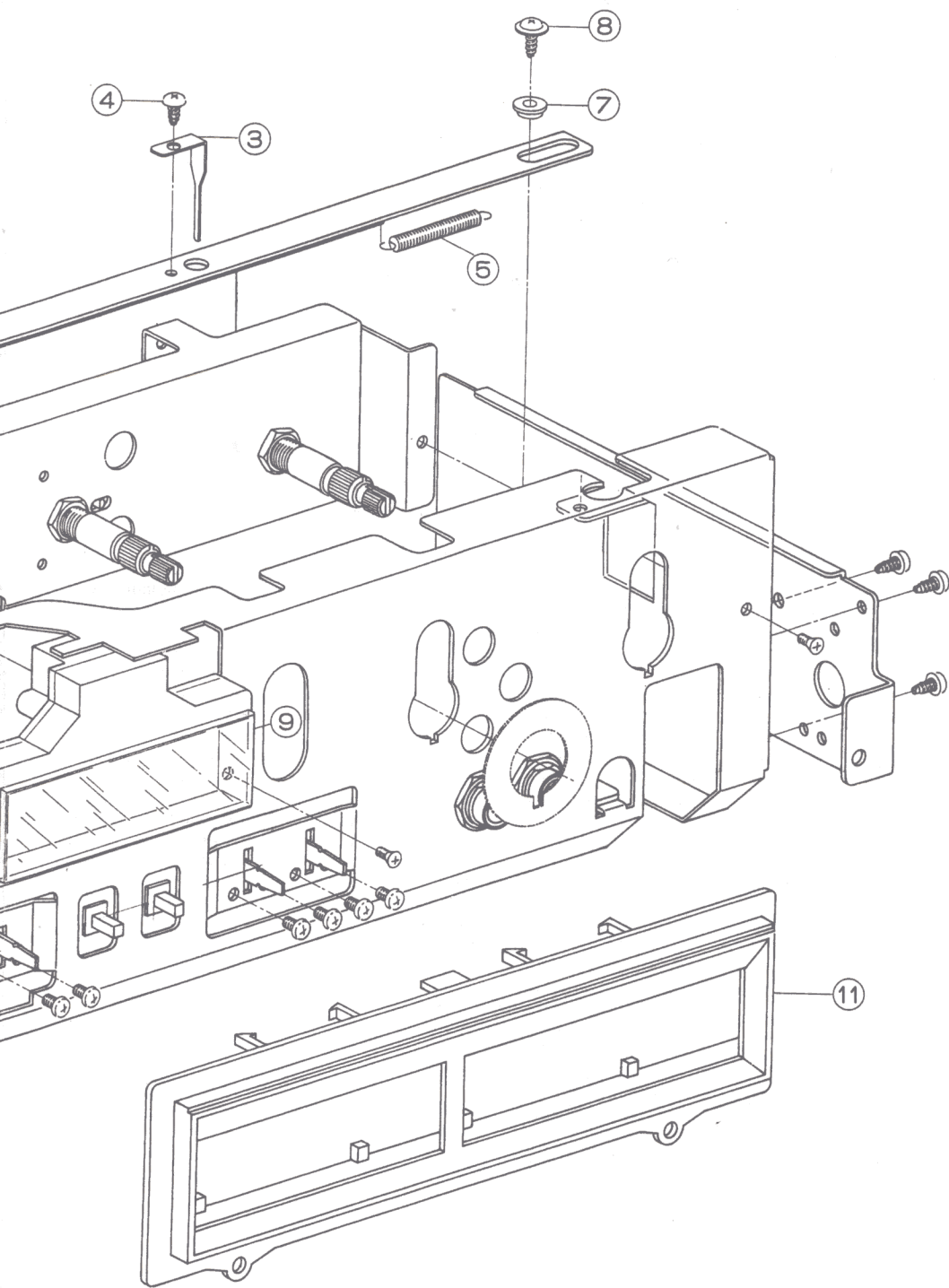
REF. PARTS NO.
NO.

REVERSE PLUNG

12-1 EP315918 Δ
12-2 MB606712 KJ

REVERSE ARM B

12-3 ZG331069 SP
12-4 ZS325495 T21
12-5 ZG313004 SP

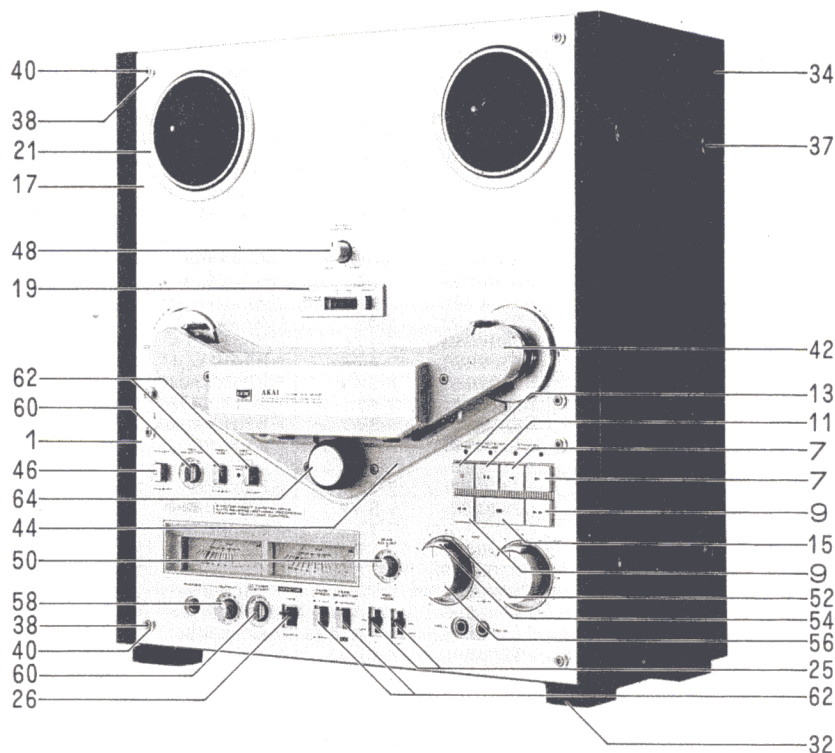


ASSEMBLY BLOCK

DESCRIPTION
 FINGER BLOCK
 Δ SOLENOID 1240PLTI
 KJ STOPPER RUBBER
 M BLOCK
 SP REVERSE
 T2BR30x06STL CMT
 SP T1-4.0/0.4-35.5 T1-118

| REF. NO. | PARTS NO. | DESCRIPTION |
|-----------------------|-----------|-------------------------------|
| ASSEMBLY BLOCK | | |
| 12-6 | ZW270088 | RING E 190SUP CMT |
| 12-7 | ZW625241 | GRADUATED WASHER |
| 12-8 | ZS331566 | PAN30x08STL CMT CUP |
| 12-9 | EM330374 | METER VU D64A24L 0.260mA |
| 12-10x | EM330600 | METER VU D64A27L 0.260mA (BL) |
| 12-11 | SE332771A | ESCUTCHEON VU |
| 12-12x | SE332771B | ESCUTCHEON VU (BL) |

FINAL ASSEMBLY BLOCK



13. FINAL ASSEMBLY BLOCK

| REF. NO. | PARTS NO. | DESCRIPTION | REF. NO. | PARTS NO. | DESCRIPTION |
|-----------------------------|--------------|---|----------|-----------|--------------------------------|
| AMP PANEL BLOCK | | | 13-34 | SP308805 | SIDE PLATE |
| 13-1 | BDT1014A420A | AMP PANEL BLK GX-646 (U) (EXCEPT J) | 13-35x | SP315587 | SIDE PLATE (BL) |
| 13-2x | BDT1014A420B | AMP PANEL BLK GX-646 (J) (J) | 13-36x | SP305022 | SIDE PLATE (B) |
| 13-3x | BDT1014A420C | AMP PANEL BLK GX-646-BL (U) (EXCEPT J) | 13-37 | ZS318423 | SCREW(B), W/SPOT FACING WASHER |
| 13-4x | BDT1014A420D | AMP PANEL BLK GX-646-BL (J) (J) | 13-38 | ZS613901 | PANEL SCREW |
| 13-5 | SE315562 | OPERATE ESCUTCHEON (BL) | 13-39x | ZS306435 | PANEL SCREW (C) |
| 13-6x | SE332776B | ESCUTCHEON KNOB (BL) | 13-40 | TC331106A | PANEL WASHER |
| 13-7 | SBB601311 | OPERATE BUTTON (F) PART | 13-41 | ZW331106B | PANEL WASHER (BL) |
| 13-8x | SBB314002 | OPERATE BUTTON (A-BL) PART | 13-42 | BCB604307 | BASE HEAD COVER PART |
| 13-9 | SBB601313 | OPERATE BUTTON (G) PART | 13-43x | BCB604308 | BASE HEAD COVER (BL) PART |
| 13-10x | SBB314004 | OPERATE BUTTON (B-BL) PART | 13-44 | SC332767A | BASE HEAD COVER |
| 13-11 | SBB601314 | OPERATE BUTTON (H) PART | 13-45x | SC332767B | BASE HEAD COVER (BL) |
| 13-12x | SBB314005 | OPERATE BUTTON (C-BL) PART | 13-46 | SB315828 | BUTTON (B) |
| 13-13 | SBB601315 | OPERATE BUTTON (I) PART | 13-47x | SB315829 | BUTTON (B-BL) |
| 13-14x | SBB314006 | OPERATE BUTTON (D-BL) PART | 13-48 | SK305027A | KNOB (B) |
| 13-15 | SBB601316 | OPERATE BUTTON (J) PART | 13-49x | SK305027B | KNOB (B)-BL |
| 13-16x | SBB314003 | OPERATE BUTTON (E-BL) PART | 13-50 | SK331108D | KNOB (A-4) |
| MECHA PANEL BLOCK | | | 13-51x | SK331108B | KNOB (A-2) |
| 13-17 | BDT1014A430A | MECHA PANEL BLK GX-646 | 13-52 | SK332773A | KNOB MEMORY |
| 13-18x | BDT1014A430B | MECHA PANEL BLK GX-646-BL | 13-53x | SK332773B | KNOB MEMORY (BL) |
| 13-19 | SE305035A | COUNTER ESCUTCHEON | 13-54 | SK332770A | KNOB DOUBLE (LOWER) |
| 13-20x | SE305035B | COUNTER ESCUTCHEON (BL) | 13-55x | SK332770B | KNOB DOUBLE (LOWER)-BL |
| 13-21 | SE315931 | REEL TABLE ESCUTCHEON (2-C) | 13-56 | SK315822 | DOUBLE KNOB (UPPER) |
| 13-22x | SE315577 | REEL TABLE ESCUTCHEON (2-D) | 13-57x | SK315823 | DOUBLE KNOB (UPPER-BL) |
| 13-23x | ZW575730 | N SPEED 30 | 13-58 | SK331108C | KNOB (A-3) |
| FINAL ASSEMBLY BLOCK | | | 13-59x | SK331108A | KNOB (A-1) |
| 13-24x | SA312529 | RUBBER FOOT (A-2) PART | 13-60 | SK331109F | KNOB (E) |
| 13-25 | SK328684 | KNOB LEVER (C) | 13-61x | SK331109C | KNOB (C) |
| 13-26 | ML328683 | KNOB LEVER (B) | 13-62 | SK332775A | KNOB |
| 13-27x | SP304933A | UPPER COVER | 13-63x | SK332775B | KNOB (BL) |
| 13-28x | SP304933B | UPPER COVER (BL) | 13-64 | SKB601364 | PINCH ROLLER CAP (D) PART |
| 13-29x | ZS331181 | BT BID30x08STL N13 | 13-65x | SKB601365 | PINCH ROLLER CAP (E) PART |
| 13-30 | SP304928A | BOTTOM COVER | 13-66x | SP331078F | BACK BOARD GX-646 (U) |
| 13-31x | SP304928B | BOTTOM COVER (BL) | 13-67x | SP331078G | BACK BOARD GX-646 (J) |
| 13-32 | SAB301411 | SQUARE FOOT PART GX-215D | 13-68x | SP331078H | BACK BOARD GX-646 (C,A) |
| 13-33x | ZS413234 | PAN40x12STL CMT | 13-69x | SP331078J | BACK BOARD GX-646 (E) |
| | | | 13-70x | SP331078K | BACK BOARD GX-646 (B,S) |
| | | | 13-71x | SP331078L | BACK BOARD GX-646 (V) |
| | | | 13-72x | ZS331568 | T2BR30x10STL CMT C080 |

When ordering parts, please quote Parts Number, Description and Model Number.

INDEX

| PARTS NO. | REF. NO. | PARTS NO. | REF. NO. | PARTS NO. | REF. NO. | PARTS NO. | REF. NO. | PARTS NO. | REF. NO. |
|--------------|------------|-----------|-----------|-----------|------------|--------------|----------|-----------|----------|
| BAT1014A130A | 8-1 | ED302091 | 8-D28 | ER309092 | 8-R110 | EV331189 | 11-VR1 | SE315931 | 13-21 |
| BAT1014A130B | 8-2 | ED302091 | 8-D42 | ER310373 | 8-CR1to12 | EV332364 | 11-VR1,2 | SE332771A | 12-11 |
| BAT1014A130C | 8-3 | ED302091 | 8-D45 | ER315356 | 8-R111 | EW201515 | 6-23x | SE332771B | 12-12x |
| BAT1014A300A | 10-1 | ED302098 | 8-D14 | ER330677 | 8-R29 | EW305691 | 6-20x | SE332776B | 13-6x |
| BAT1014A350A | 9-1 | ED302098 | 8-D17 | ER330680 | 8-R28 | EW306427 | 6-19x | SKB601364 | 13-64 |
| BAT1014A350B | 9-2 | ED302098 | 8-D33,34 | ER331188 | 9-FR2, 3 | EW306428 | 6-18 | SKB601365 | 13-65x |
| BAT1014A350C | 9-3 | ED302098 | 8-D36to38 | ER331562 | 9-R7 | EW313882 | 6-21x | SK305027A | 13-48 |
| BAT1014A400A | 11-1 | ED302098 | 8-D44 | ER561216 | 8-FR1 | EW313884 | 6-22x | SK305027B | 13-49x |
| BAT1014A400B | 11-2 | ED302098 | 8-D46 | ES301435 | 9-SW1 | EZ308712 | 5-22 | SK315822 | 13-56 |
| BCB604307 | 13-42 | ED303005 | 7-43 | ES301436 | 9-SW7 | EO330991 | 9-VC1,2 | SK315823 | 13-57x |
| BCB604308 | 13-43x | ED306109 | 8-D49 | ES306714 | 9-SW6 | HA309409 | 2-16 | SK328684 | 13-25 |
| BDT1014A420A | 13-1 | ED308952 | 10-D11 | ES308914 | 7-32 | HA309410 | 2-17 | SK331108A | 13-59x |
| BDT1014A420B | 13-2x | ED308953 | 9-D4,5 | ES308925 | 7-36 | HA330924A | 2-18 | SK331108B | 13-51x |
| BDT1014A420C | 13-3x | ED309069 | 8-D4 | ES308929 | 5-37 | HA330924B | 2-19 | SK331108C | 13-58 |
| BDT1014A420D | 13-4x | ED310607 | 10-D10 | ES309058 | 7-47x | HB331113A | 2-10 | SK331108D | 13-50 |
| BDT1014A430A | 13-17 | ED313623 | 8-D2 | ES309059 | 7-46x | HB331113B | 2-11 | SK331109C | 13-61x |
| BDT1014A430B | 13-18x | ED316143 | 9-D7,8 | ES309094 | 8-SW1 | HEH1305A010A | 2-20 | SK331109F | 13-60 |
| BHT1014A260A | 2-1x | ED316143 | 9-D12 | ES313622 | 7-45 | HPH1005A010A | 2-22 | SK332770A | 13-54 |
| BMM1101A010A | 3-1x | ED318988 | 7-35 | ES319448 | 9-SW5 | HRH1101A010A | 2-21 | SK332770B | 13-55x |
| BMM1202A010A | 4-12 | ED326168 | 8-D9 | ES319464 | 9-SW3,4 | HZ301777 | 2-8 | SK332773A | 13-52 |
| BRT1005A110B | 4-1x | ED326168 | 8-D50 | ES324007 | 7-33 | HZ308681 | 2-9 | SK332773B | 13-53x |
| BT308918 | 6-8 | ED330319 | 8-D1 | ES330372 | 9-SW2 | HZ308685 | 2-13 | SK332775A | 13-62 |
| BT308919 | 6-9x | ED330319 | 8-D3 | ES573478 | 7-12 | HZ308709 | 5-26 | SK332775B | 13-63x |
| BT308920 | 6-11x | ED331197 | 10-D9 | ET200399 | 9-TR6 | HZ308710 | 5-24 | SK597633 | 3-6 |
| BT308921 | 6-10x | ED332336 | 9-D16 | ET200505 | 8-TR2 | HZ528581 | 2-4 | SP304928A | 13-30 |
| BZM1101A040A | 3-2 | ED510772 | 8-D6 | ET200505 | 8-TR4to8 | MB308701 | 7-67 | SP304928B | 13-31x |
| BZT1008A190A | 5-1x | ED539976 | 8-D5 | ET200505 | 8-TR11 | MB308714 | 5-35 | SP304933A | 13-27x |
| BZT1008A190B | 5-2x | ED560913 | 8-D39,40 | ET200505 | 8-TR14,15 | MB428343 | 7-14 | SP304933B | 13-28x |
| BZT1008A220A | 5-3x | ED560913 | 10-D1to8 | ET200505 | 8-TR23 | MB428343 | 7-50 | SP305022 | 13-36x |
| BZT1008A220B | 5-4x | EF300584 | 6-41x | ET200505 | 8-TR26to33 | MB606712 | 7-48 | SP308805 | 13-34 |
| BZT1009A080A | 7-59 | EF300584 | 6-43x | ET200505 | 10-TR15,16 | MB606712 | 12-2 | SP315587 | 13-35x |
| EC201390 | 8-C10to124 | EF300591 | 6-42x | ET307349 | 8-TR3 | MC305642 | 7-29 | SP331078F | 13-66x |
| EC301912 | 8-C48 | EF300591 | 6-44 | ET308937 | 8-TR16to19 | MC305652 | 7-30x | SP331078G | 13-67x |
| EC304708 | 8-C35to37 | EF300592 | 6-40x | ET308937 | 8-TR22 | MH578957 | 2-5 | SP331078H | 13-68x |
| EC308940 | 8-C44,45 | EF308923 | 6-38x | ET308937 | 8-TR24,25 | MI308707 | 5-20 | SP331078J | 13-69x |
| EC308950 | 8-C46,47 | EF310455 | 6-27x | ET308947 | 6-5 | MI315558 | 5-21x | SP331078K | 13-70x |
| EC310366 | 8-C52 | EF562691 | 6-26 | ET308954 | 9-TR2 | MLB330939 | 7-63 | SP331078L | 13-71x |
| EC310374 | 8-C53 | EF563681 | 6-30 | ET308954 | 9-TR10 | ML308677 | 7-38 | SZ308717 | 5-9 |
| EC310440 | 9-C24 | EF563681 | 6-35x | ET308954 | 11-TR1 | ML308737 | 7-37 | SZ631945 | 6-24 |
| EC312012 | 11-C1 | EF563703 | 6-32x | ET308954 | 11-TR3 | ML328683 | 13-26 | TC331106A | 13-40 |
| EC313534 | 8-C39,40 | EF575932 | 6-29 | ET312497 | 8-TR1 | MPB424023 | 7-60 | VT422673 | 7-64x |
| EC314688 | 6-3x | EF575932 | 6-31 | ET316171 | 10-TR4 | MR308713 | 5-34 | ZG301340 | 7-57 |
| EC314990 | 9-C29,30 | EF575932 | 6-34x | ET316171 | 10-TR7to11 | MR308715 | 5-38 | ZG308722 | 5-15 |
| EC314995 | 9-C55 | EF575932 | 6-36x | ET316171 | 10-TR14 | MS308695 | 7-53 | ZG308728 | 7-18 |
| EC314995 | 11-C3 | EF616555 | 6-28 | ET317919 | 10-TR17 | MS315376 | 5-7 | ZG308734 | 7-28 |
| EC316065 | 6-14 | EF616555 | 6-33x | ET318237 | 9-TR18 | MS342000 | 4-3 | ZG312399 | 5-29 |
| EC316194 | 8-C130,131 | EF659698 | 6-37x | ET318237 | 9-TR24 | MS527591 | 7-19 | ZG313004 | 12-5 |
| EC317918 | 11-C6 | EF683313 | 6-39x | ET328440 | 9-TR3 | MTT1003A340A | 4-10 | ZG313078 | 7-56 |
| EC320548 | 6-2 | EI213390 | 9-IC1 | ET328440 | 9-TR8,9 | MT314987 | 7-1 | ZG317114 | 7-65 |
| EC321088 | 8-C132 | EI304165 | 8-IC2,3 | ET328440 | 9-TR17 | MT534666 | 4-2 | ZG317496 | 4-11 |
| EC321297 | 8-C49 | EI304166 | 8-IC5 | ET391768 | 9-TR13 | MT534677 | 4-5 | ZG331069 | 12-3 |
| EC325380 | 9-C20 | EI305238 | 8-IC4 | ET399846 | 8-TR21 | MT534688 | 4-7 | ZG466312 | 2-7 |
| EC327382 | 6-4x | EI308936 | 8-IC1 | ET517263 | 9-TR7 | MV368886 | 3-3 | ZG540584 | 2-12 |
| EC474671 | 11-C4 | EJ249467 | 6-16 | ET517263 | 9-TR15 | MZ315373 | 5-11 | ZG540617 | 4-4 |
| ED200468 | 8-D7,8 | EJ262732 | 6-15 | ET517263 | 9-TR25 | MZ315374 | 5-6 | ZG567685 | 5-19 |
| ED200468 | 8-D16 | EJ308985 | 9-J1 | ET522268 | 8-TR20 | MZ315375 | 5-5 | ZG576314 | 7-39 |
| ED200468 | 8-D19to22 | EJ308986 | 9-J1 | ET554657 | 8-TR9,10 | MZ397181 | 7-6 | ZG580522 | 7-9 |
| ED200468 | 8-D26,27 | EJ321328 | 9-J2 | ET554657 | 8-TR12 | MZ535072 | 5-25 | ZS201778 | 2-28 |
| ED200468 | 8-D29to32 | EJ324276 | 6-1 | ET554657 | 10-TR12,13 | MZ585900 | 3-7 | ZS302720 | 7-40 |
| ED200468 | 8-D41 | EJ330545 | 9-J3 | ET603257 | 9-TR1 | MZ597690 | 3-8 | ZS306435 | 13-39x |
| ED200468 | 8-D43 | EJ331184 | 9-J2 | ET603257 | 9-TR11 | SAB301411 | 13-32 | ZS318423 | 13-37 |
| ED200468 | 8-D47,48 | EJ692908 | 6-25x | ET603257 | 11-TR2 | SA312529 | 13-24x | ZS319473 | 5-14 |
| ED200468 | 8-D53 | EM330374 | 12-9 | ET639437 | 9-TR4,5 | SBB314002 | 13-8x | ZS323728 | 7-11x |
| ED200468 | 8-D57 | EM330600 | 12-10x | ET639437 | 9-TR14 | SBB314003 | 13-16x | ZS325495 | 12-4 |
| ED200468 | 8-D60 | EO315758 | 9-FL1 | ET639437 | 9-TR16 | SBB314004 | 13-10x | ZS331181 | 13-29x |
| ED224550 | 8-D51,52 | EO319447 | 9-FL2 | ET639437 | 9-TR19,20 | SBB314005 | 13-12x | ZS331566 | 12-8 |
| ED224550 | 8-D54 | EO319447 | 11-FL1 | ET639437 | 9-TR26 | SBB314006 | 13-14x | ZS331568 | 13-72x |
| ED224550 | 8-D56 | EO319495 | 9-VL1 | ET639437 | 11-TR4,5 | SBB601311 | 13-7 | ZS413201 | 2-3 |
| ED249377 | 7-44 | EO330990 | 9-L1,2 | ET666404 | 10-TR3 | SBB601313 | 13-9 | ZS413201 | 3-4 |
| ED283138 | 7-42 | EO331190 | 9-T1 | ET666404 | 10-TR5,6 | SBB601314 | 13-11 | ZS413234 | 13-33x |
| ED301911 | 8-D15 | EP300132 | 8-RL1to4 | ET666415 | 10-TR1,2 | SBB601315 | 13-13 | ZS417216 | 5-10 |
| ED301911 | 8-D18 | EP308949 | 8-RL5 | EV302718 | 8-VR1 | SBB601316 | 13-15 | ZS417216 | 5-13 |
| ED301911 | 8-D24 | EP308973 | 9-RL1,2 | EV308917 | 7-31 | SB315828 | 13-46 | ZS417216 | 7-2 |
| ED301911 | 8-D35 | EP315918 | 7-3 | EV309071 | 8-VR2 | SB315829 | 13-47x | ZS417407 | 2-15 |
| ED301911 | 9-D1to3 | EP315918 | 12-1 | EV315541 | 9-VR5,6 | SC332767A | 13-44 | ZS419670 | 4-8 |
| ED301911 | 9-D6 | EP316121 | 7-23 | EV315542 | 9-VR4 | SC332767B | 13-45x | ZS419670 | 5-8 |
| ED301911 | 9-D9 | EP330351 | 10-RL1 | EV315573 | 9-VR1to3 | SE305035A | 13-19 | ZS419670 | 7-13 |
| ED301911 | 9-D14,15 | EP330363 | 7-25 | EV316442 | 9-VR8 | SE305035B | 13-20x | ZS419670 | 7-49 |
| ED301911 | 9-D18to21 | ER308898 | 9-FR1 | EV319316 | 9-VR7 | SE315562 | 13-5 | ZS421806 | 6-6 |
| ED302091 | 8-D13 | ER308955 | 8-R112 | EV322417 | 9-VR9 | SE315577 | 13-22x | ZS422076 | 2-29 |

| PARTS NO. | REF. NO. | PARTS NO. | REF. NO. | PARTS NO. | REF. NO. | PARTS NO. | REF. NO. | PARTS NO. | REF. NO. |
|-----------|----------|-----------|----------|-----------|----------|-----------|----------|-----------|----------|
| ZS422076 | 7-4 | | | | | | | | |
| ZS422076 | 7-34 | | | | | | | | |
| ZS422965 | 5-23 | | | | | | | | |
| ZS424056 | 4-9 | | | | | | | | |
| ZS435273 | 6-12 | | | | | | | | |
| ZS444262 | 7-22 | | | | | | | | |
| ZS463353 | 6-17 | | | | | | | | |
| ZS477876 | 2-24 | | | | | | | | |
| ZS479474 | 5-27 | | | | | | | | |
| ZS524812 | 2-23 | | | | | | | | |
| ZS527681 | 7-62 | | | | | | | | |
| ZS572242 | 5-28x | | | | | | | | |
| ZS592378 | 7-26 | | | | | | | | |
| ZS608095 | 2-25 | | | | | | | | |
| ZS608321 | 5-18 | | | | | | | | |
| ZS608477 | 2-26 | | | | | | | | |
| ZS608501 | 2-14 | | | | | | | | |
| ZS613901 | 13-38 | | | | | | | | |
| ZW260043 | 7-16 | | | | | | | | |
| ZW265522 | 2-6 | | | | | | | | |
| ZW270088 | 4-6 | | | | | | | | |
| ZW270088 | 7-5 | | | | | | | | |
| ZW270088 | 12-6 | | | | | | | | |
| ZW270101 | 5-17 | | | | | | | | |
| ZW270123 | 7-17 | | | | | | | | |
| ZW270156 | 7-58 | | | | | | | | |
| ZW273756 | 7-41 | | | | | | | | |
| ZW273914 | 2-2 | | | | | | | | |
| ZW273914 | 7-51 | | | | | | | | |
| ZW274026 | 7-20 | | | | | | | | |
| ZW274026 | 7-54 | | | | | | | | |
| ZW290283 | 7-8 | | | | | | | | |
| ZW307294 | 5-33 | | | | | | | | |
| ZW308928 | 5-36 | | | | | | | | |
| ZW308930 | 5-16 | | | | | | | | |
| ZW309055 | 2-27 | | | | | | | | |
| ZW313593 | 7-27 | | | | | | | | |
| ZW313872 | 5-31 | | | | | | | | |
| ZW313873 | 5-30 | | | | | | | | |
| ZW318099 | 5-12 | | | | | | | | |
| ZW330865 | 5-32 | | | | | | | | |
| ZW331106B | 13-41 | | | | | | | | |
| ZW357164 | 7-24 | | | | | | | | |
| ZW376391 | 7-61 | | | | | | | | |
| ZW405865 | 7-15 | | | | | | | | |
| ZW413188 | 7-52 | | | | | | | | |
| ZW413267 | 6-13 | | | | | | | | |
| ZW413278 | 3-9 | | | | | | | | |
| ZW413278 | 7-21 | | | | | | | | |
| ZW413278 | 7-55 | | | | | | | | |
| ZW420682 | 7-7 | | | | | | | | |
| ZW516993 | 6-7 | | | | | | | | |
| ZW575730 | 13-23x | | | | | | | | |
| ZW580173 | 7-66 | | | | | | | | |
| ZW597543 | 3-10 | | | | | | | | |
| ZW597622 | 3-5 | | | | | | | | |
| ZW605698 | 3-11 | | | | | | | | |
| ZW616004 | 7-10x | | | | | | | | |
| ZW625241 | 12-7 | | | | | | | | |