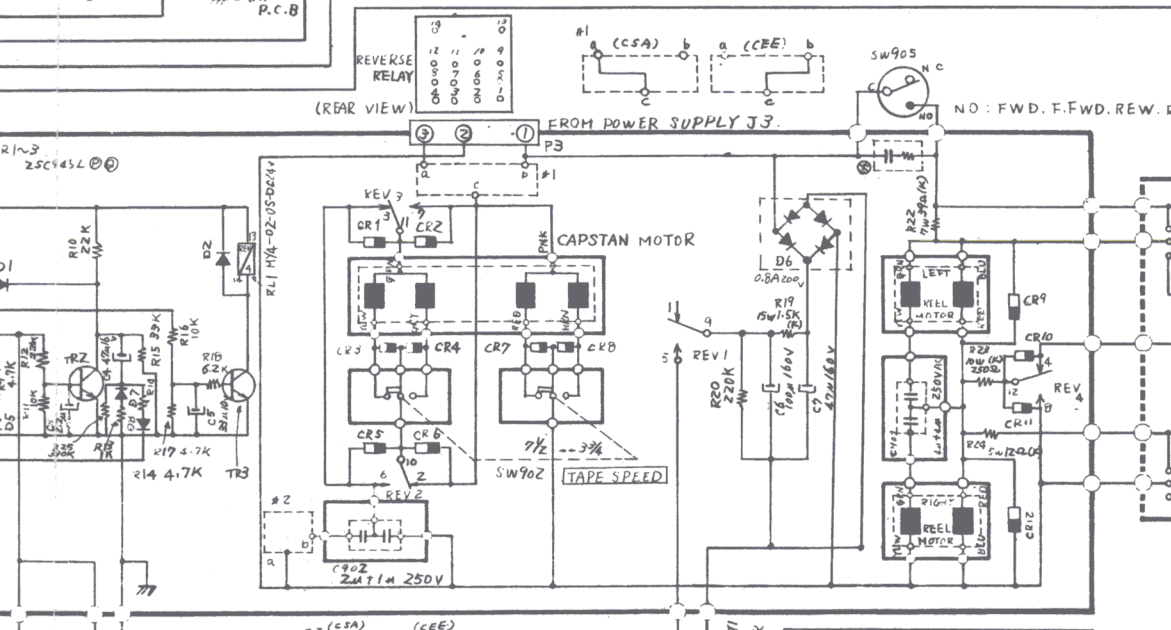


☆ MARK INDICATES LOW NOISE RESISTOR  
 ✱ MARK INDICATES LOW LEAKAGE CAPACITORS

NOTE  
 UNLESS OTHERWISE SPECIFIED:  
 RESISTORS IN OHMS 1/4W (J)  
 CAPACITORS IN FD 50μV (J)  
 ELECTROLYTIC CAPACITORS (-) IN FD 50μV



CSA	CEE
C1 0.01μF	C1 0.01μF
C2 0.01μF	C2 0.01μF
C3 0.01μF	C3 0.01μF
C4 0.01μF	C4 0.01μF
C5 0.01μF	C5 0.01μF
C6 0.01μF	C6 0.01μF
C7 0.01μF	C7 0.01μF
C8 0.01μF	C8 0.01μF
C9 0.01μF	C9 0.01μF
C10 0.01μF	C10 0.01μF
C11 0.01μF	C11 0.01μF
C12 0.01μF	C12 0.01μF
C13 0.01μF	C13 0.01μF
C14 0.01μF	C14 0.01μF
C15 0.01μF	C15 0.01μF
C16 0.01μF	C16 0.01μF
C17 0.01μF	C17 0.01μF
C18 0.01μF	C18 0.01μF
C19 0.01μF	C19 0.01μF
C20 0.01μF	C20 0.01μF
C21 0.01μF	C21 0.01μF
C22 0.01μF	C22 0.01μF
C23 0.01μF	C23 0.01μF
C24 0.01μF	C24 0.01μF
C25 0.01μF	C25 0.01μF
C26 0.01μF	C26 0.01μF
C27 0.01μF	C27 0.01μF
C28 0.01μF	C28 0.01μF
C29 0.01μF	C29 0.01μF
C30 0.01μF	C30 0.01μF
C31 0.01μF	C31 0.01μF
C32 0.01μF	C32 0.01μF
C33 0.01μF	C33 0.01μF
C34 0.01μF	C34 0.01μF
C35 0.01μF	C35 0.01μF
C36 0.01μF	C36 0.01μF
C37 0.01μF	C37 0.01μF
C38 0.01μF	C38 0.01μF
C39 0.01μF	C39 0.01μF
C40 0.01μF	C40 0.01μF
C41 0.01μF	C41 0.01μF
C42 0.01μF	C42 0.01μF
C43 0.01μF	C43 0.01μF
C44 0.01μF	C44 0.01μF
C45 0.01μF	C45 0.01μF
C46 0.01μF	C46 0.01μF
C47 0.01μF	C47 0.01μF
C48 0.01μF	C48 0.01μF
C49 0.01μF	C49 0.01μF
C50 0.01μF	C50 0.01μF
C51 0.01μF	C51 0.01μF
C52 0.01μF	C52 0.01μF
C53 0.01μF	C53 0.01μF
C54 0.01μF	C54 0.01μF
C55 0.01μF	C55 0.01μF
C56 0.01μF	C56 0.01μF
C57 0.01μF	C57 0.01μF
C58 0.01μF	C58 0.01μF
C59 0.01μF	C59 0.01μF
C60 0.01μF	C60 0.01μF
C61 0.01μF	C61 0.01μF
C62 0.01μF	C62 0.01μF
C63 0.01μF	C63 0.01μF
C64 0.01μF	C64 0.01μF
C65 0.01μF	C65 0.01μF
C66 0.01μF	C66 0.01μF
C67 0.01μF	C67 0.01μF
C68 0.01μF	C68 0.01μF
C69 0.01μF	C69 0.01μF
C70 0.01μF	C70 0.01μF
C71 0.01μF	C71 0.01μF
C72 0.01μF	C72 0.01μF
C73 0.01μF	C73 0.01μF
C74 0.01μF	C74 0.01μF
C75 0.01μF	C75 0.01μF
C76 0.01μF	C76 0.01μF
C77 0.01μF	C77 0.01μF
C78 0.01μF	C78 0.01μF
C79 0.01μF	C79 0.01μF
C80 0.01μF	C80 0.01μF
C81 0.01μF	C81 0.01μF
C82 0.01μF	C82 0.01μF
C83 0.01μF	C83 0.01μF
C84 0.01μF	C84 0.01μF
C85 0.01μF	C85 0.01μF
C86 0.01μF	C86 0.01μF
C87 0.01μF	C87 0.01μF
C88 0.01μF	C88 0.01μF
C89 0.01μF	C89 0.01μF
C90 0.01μF	C90 0.01μF
C91 0.01μF	C91 0.01μF
C92 0.01μF	C92 0.01μF
C93 0.01μF	C93 0.01μF
C94 0.01μF	C94 0.01μF
C95 0.01μF	C95 0.01μF
C96 0.01μF	C96 0.01μF
C97 0.01μF	C97 0.01μF
C98 0.01μF	C98 0.01μF
C99 0.01μF	C99 0.01μF
C100 0.01μF	C100 0.01μF

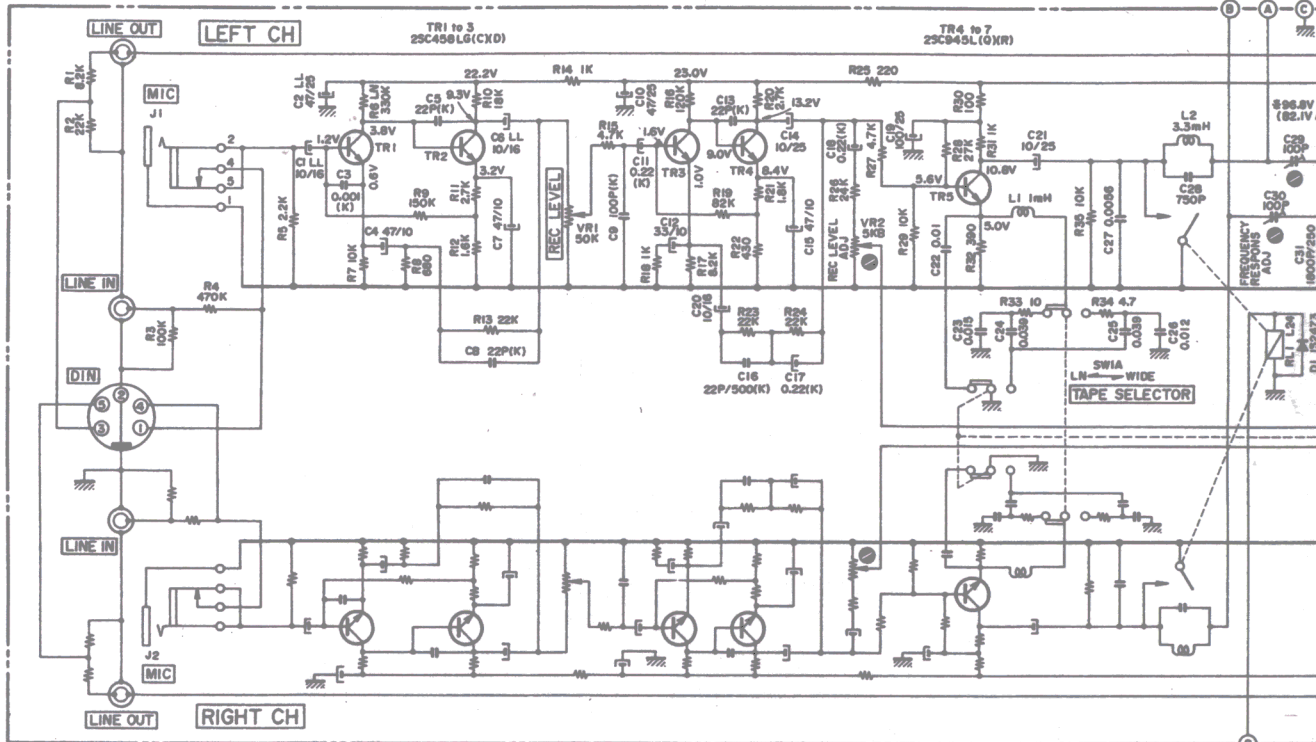
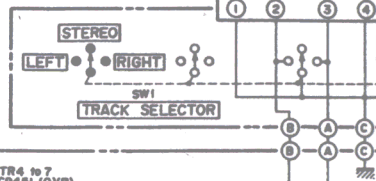
GX-215D  
 SCHEMATIC DIAGRAM  
 (CEE . CSA TYPE)  
 NO.000897 A

WARNING:  $\Delta$  INDICATES SAFETY CRITICAL COMPONENTS. FOR CONTINUED SAFETY, REPLACE SAFETY CRITICAL COMPONENTS ONLY WITH MANUFACTURER'S RECOMMENDED PARTS

AVERTISSEMENT:  $\Delta$  IL INDIQUE LES COMPOSANTS CRITIQUES DE SÛRETÉ. POUR MAINTENIR LE DEGRÉ DE SECURITE DE L'APPAREIL NE REMPLACER LES COMPOSANTS DONT LE FONCTIONNEMENT EST CRITIQUE POUR LA SECURITE QUE PAR DES PIÉCES RECOMMANDÉES PAR LE FABRICANT

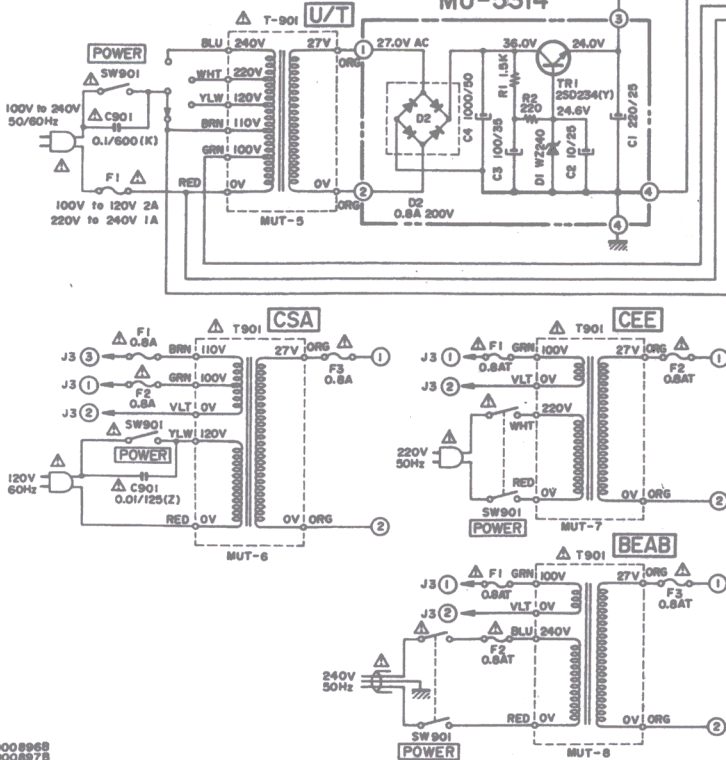


TRACK SELECTOR PC BOARD MU-5315

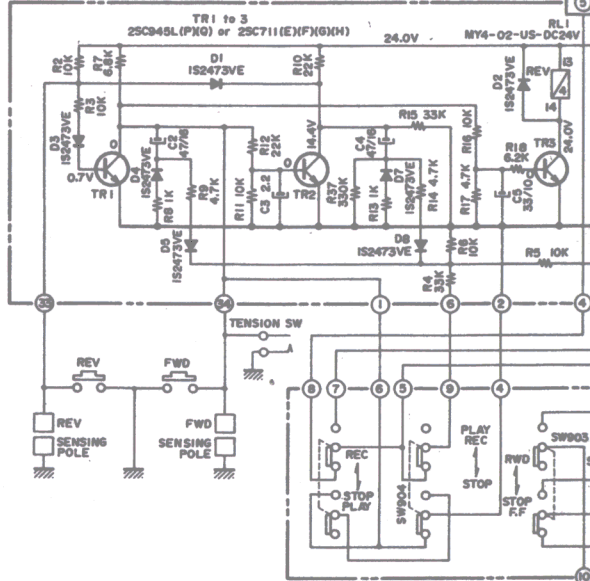


AMP PC BOARD MU-5316

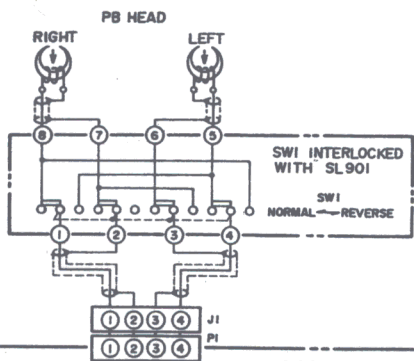
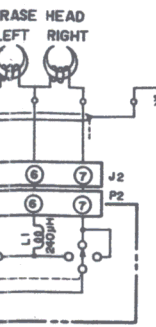
POWER SUPPLY PC BOARD MU-5314



SYSTEM CONTROL PC BOARD MU-1318



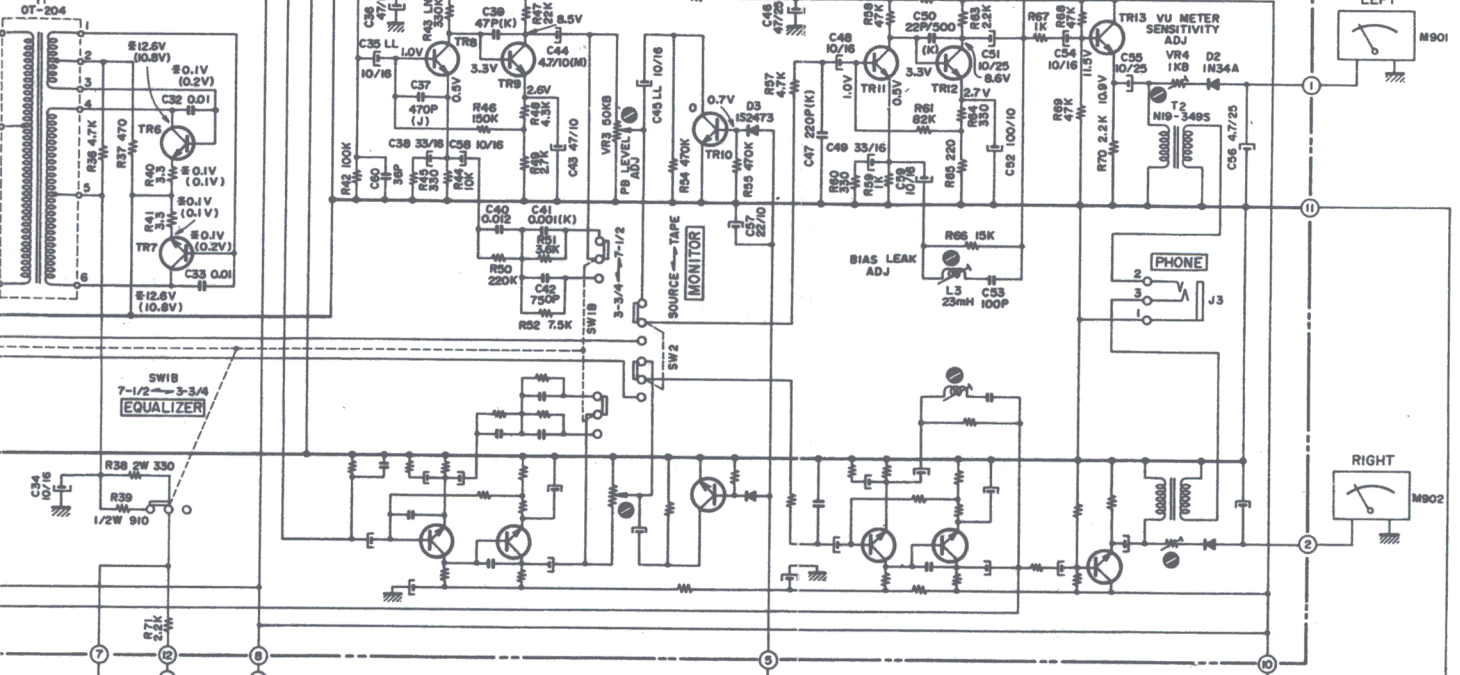
SWITCH PC BOARD MU-1319



**HEAD SWITCH PC BOARD  
MU-1320**

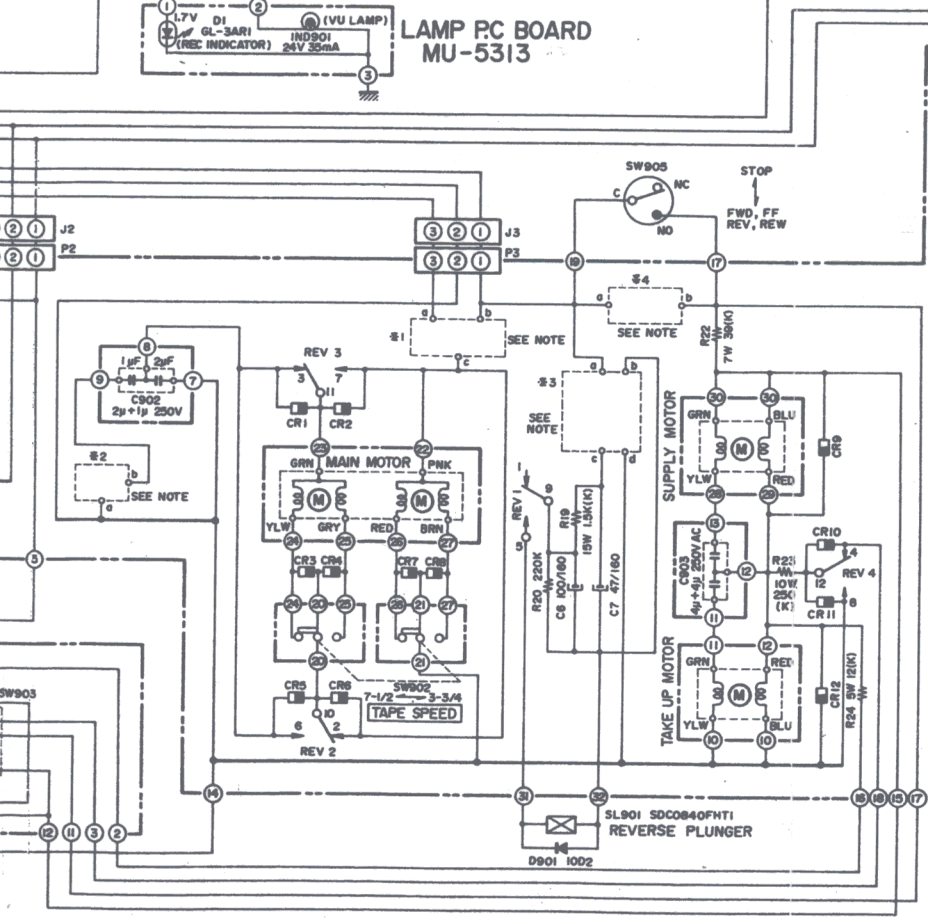
**NOTE**  
UNLESS OTHERWISE SPECIFIED  
ALL RESISTORS IN OHMS 1/4W(J)  
ALL CAPACITORS IN  $\mu$ F 50WV(J)  
P =  $\mu$ F  
LN INDICATES LOW NOISE RESISTOR  
LL INDICATES LOW LEAKAGE CAPACITORS  
POWER TRANSFORMER IS DIFFERENT  
ACCORDING TO AREA

MARK INDICATES VOLTAGE AT REC MODE  
INDICATES VOLTAGE AT 3-3/4 IPS



**SW18  
7-1/2 → 3-3/4  
EQUALIZER**

**LAMP PC BOARD  
MU-5313**



**NOTE**

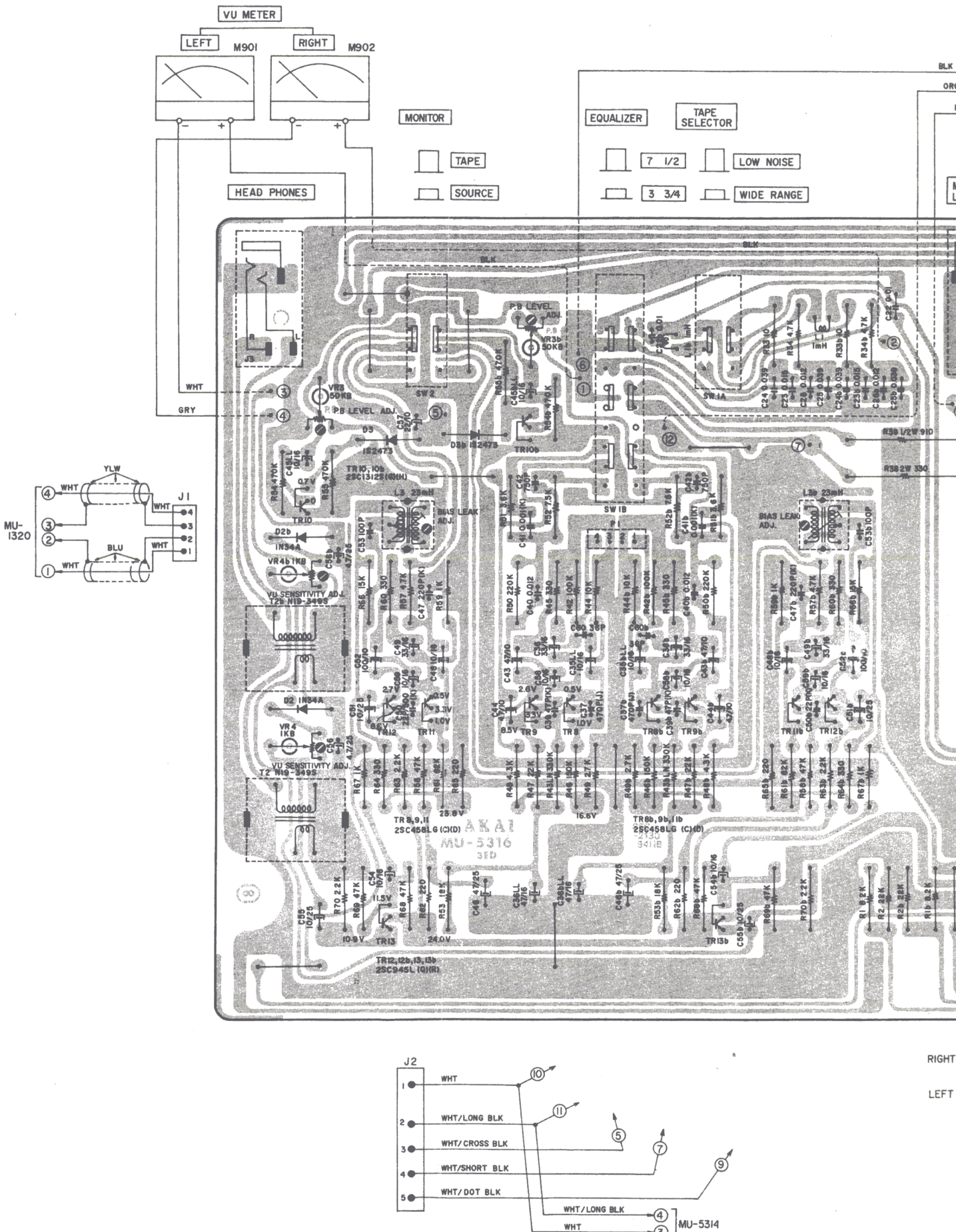
REGARDING CR1 THROUGH CR12, SPARK QUENCHERS ARE USED FOR U/T AND CSA MODELS, AND INDEPENDENT CAPACITORS AND RESISTORS ARE USED FOR CEE AND BEAB MODELS

U/T & CSA	CEE & BEAB
CR1 0.1 $\mu$ F+120 OHMS 250V	CR10 0.1 $\mu$ F/250V AC
CR2	CR11 R26
CR3	CR12 R27
CR4	CR13 R28
CR5	CR14 R29
CR6	CR15 R30
CR7	CR16 R31
CR8	CR17 R32
CR9	CR18 R33
CR10	CR19 R34
CR11	CR20 R35
CR12	CR21 R36

**GX-215D  
SCHEMATIC DIAGRAM  
No. 1540846A**

# COMPOSITION OF VARIOUS P.C BOARDS

## AMP. P.C BOARD MU-5316 & TRACK SELECTOR P.C BOARD MU-5315

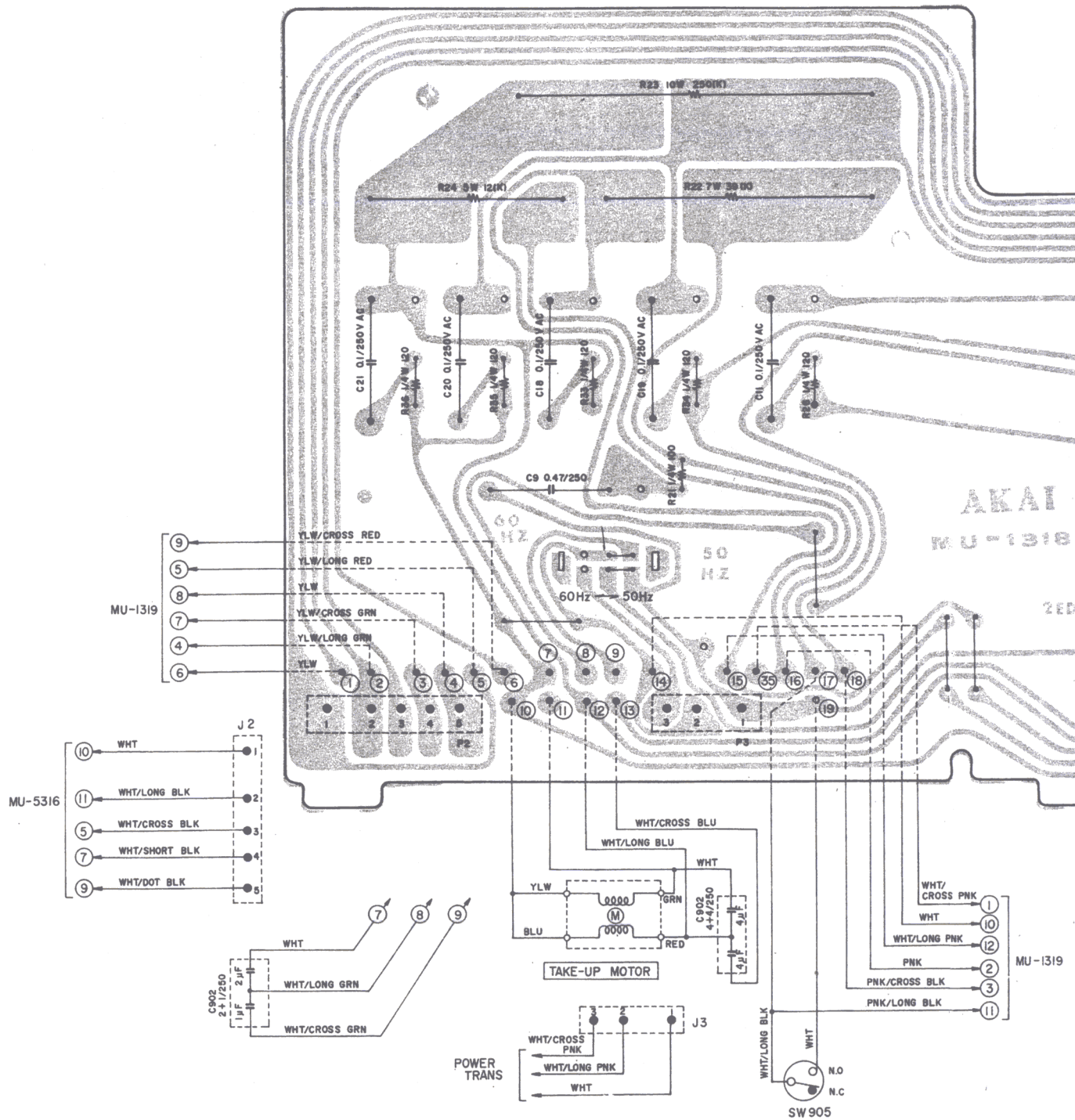


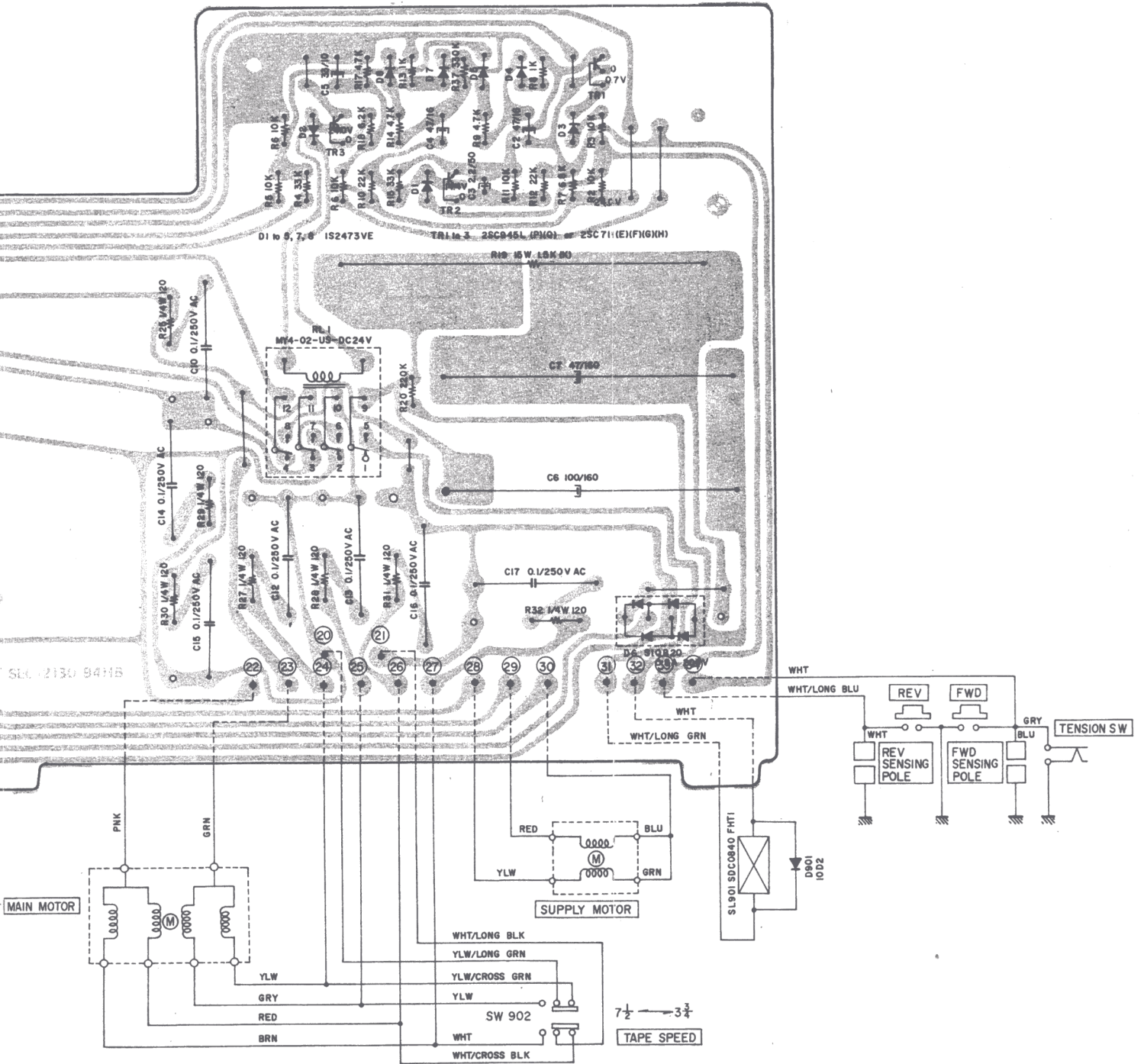
RIGHT  
LEFT





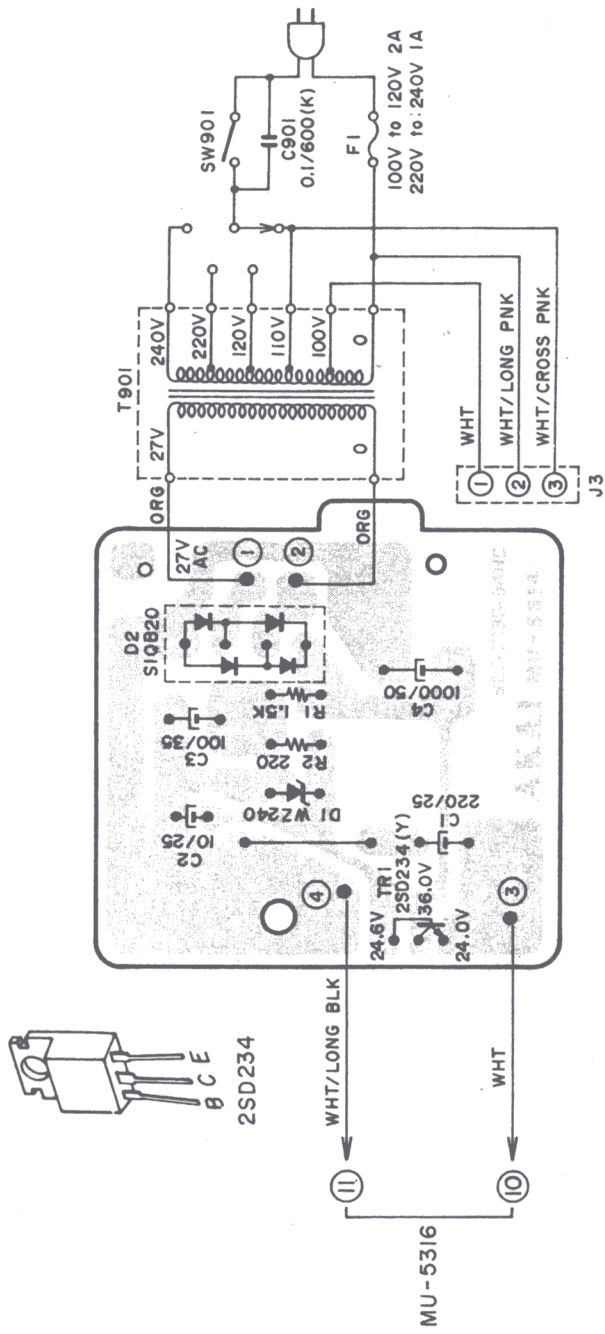
# SYSTEM CONTROL P.C BOARD MU-1318 (CEE)



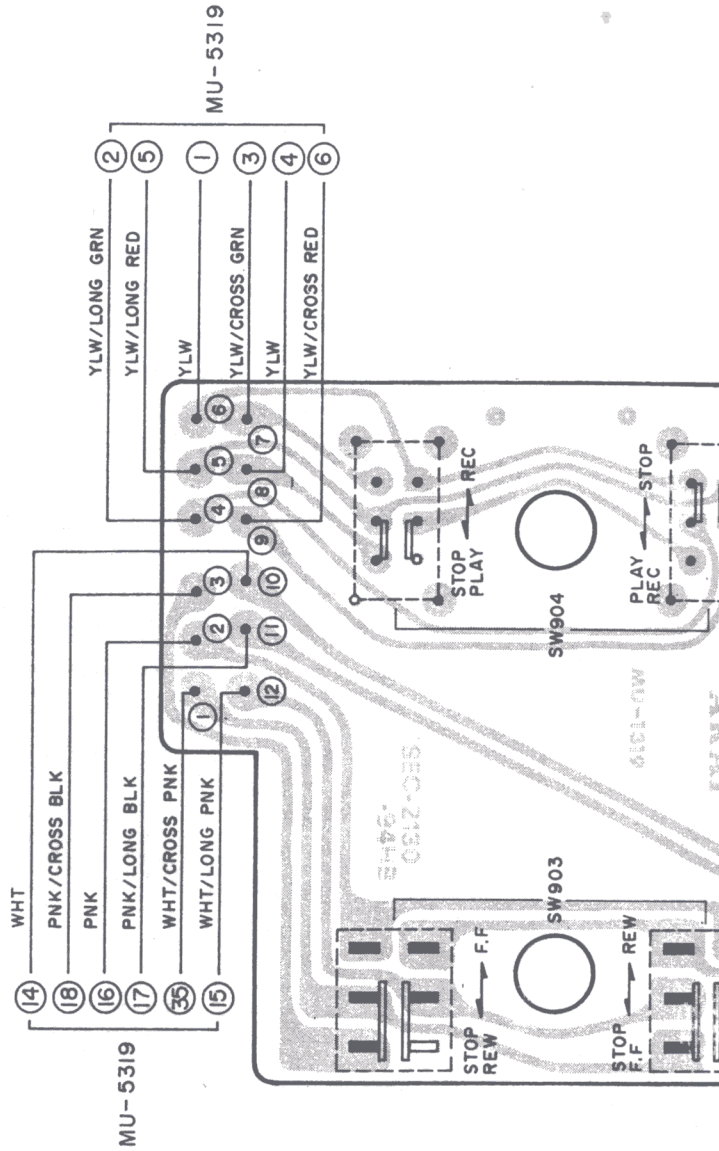


SIL-2130 94HB

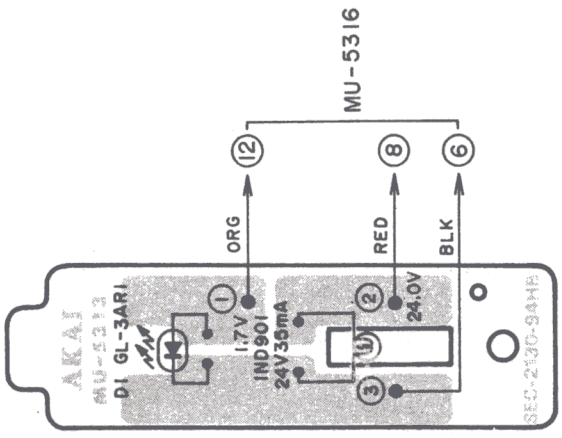
# POWER SUPPLY P.C BOARD MU-5314



# SWITCH P.C BOARD MU-1319



# LAMP P.C BOARD MU-5313



# HEAD SWITCH P.C BOARD MU-1320

