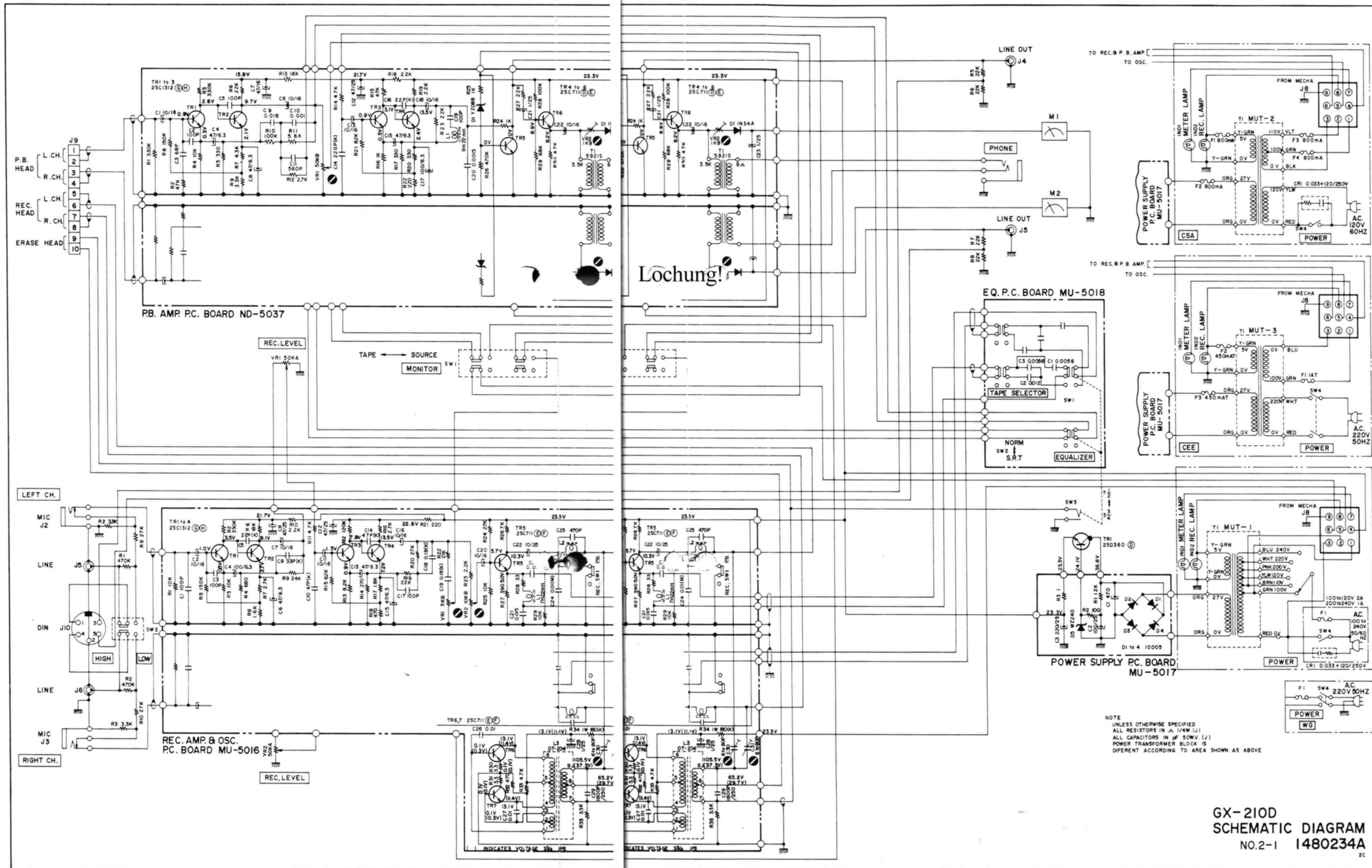
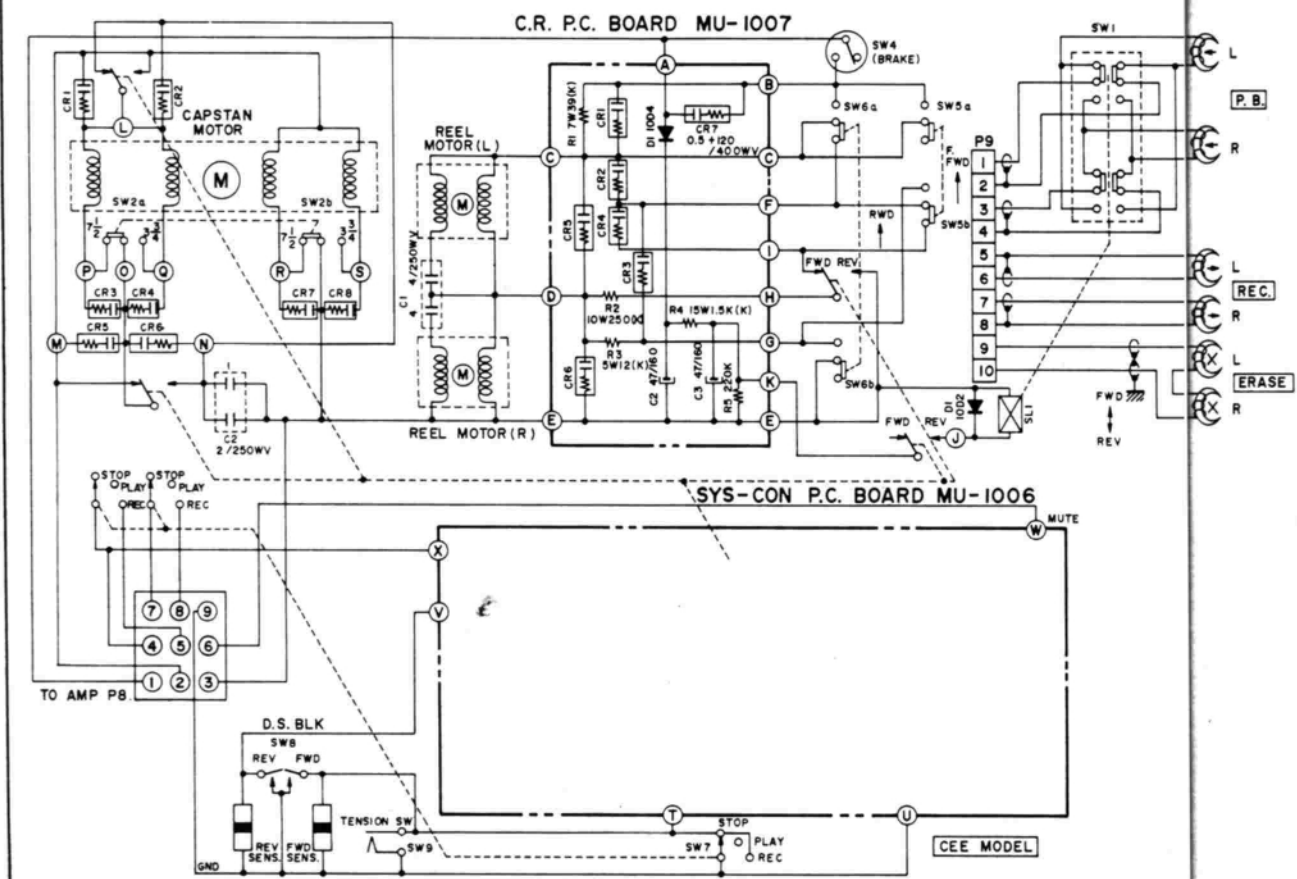
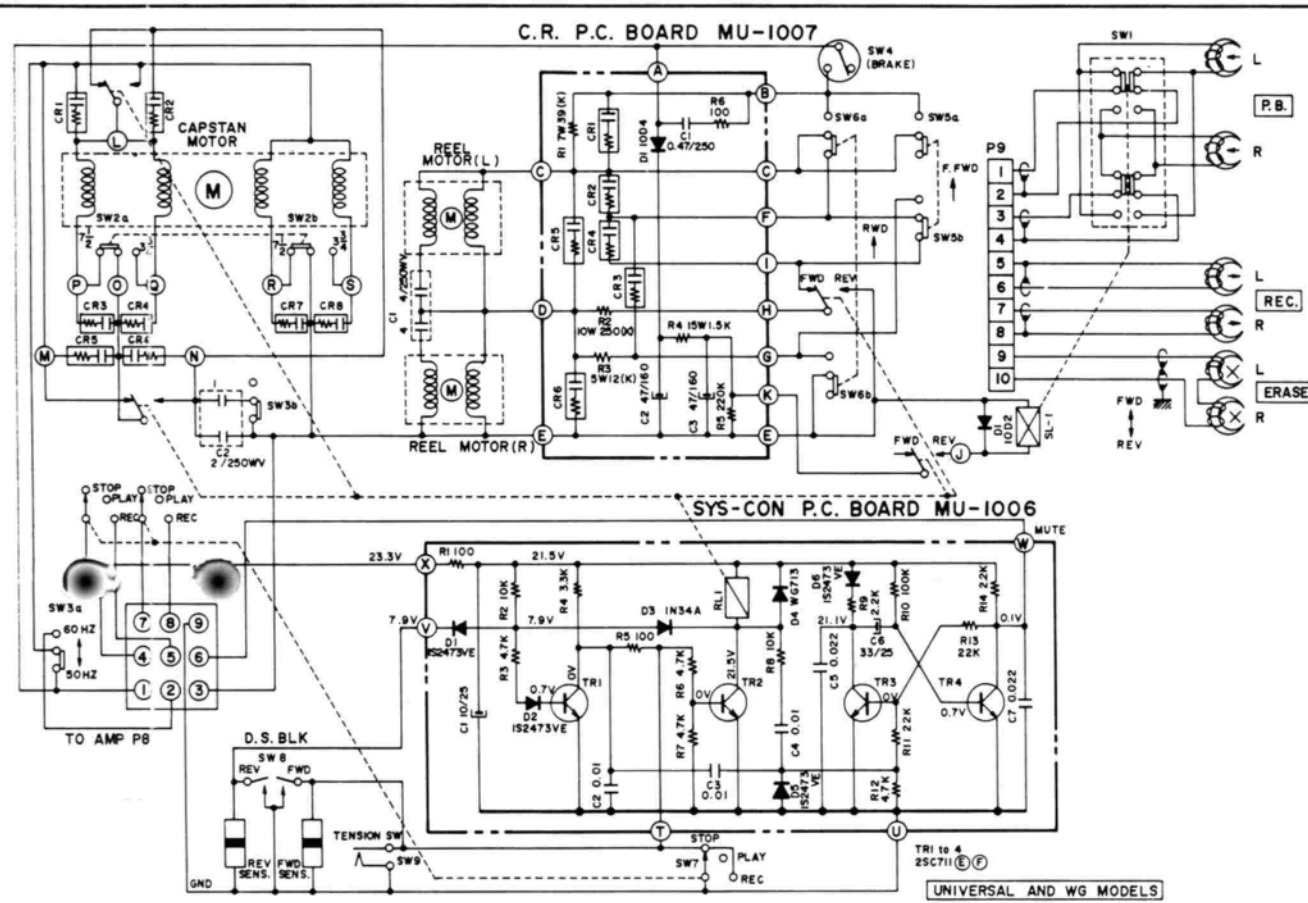
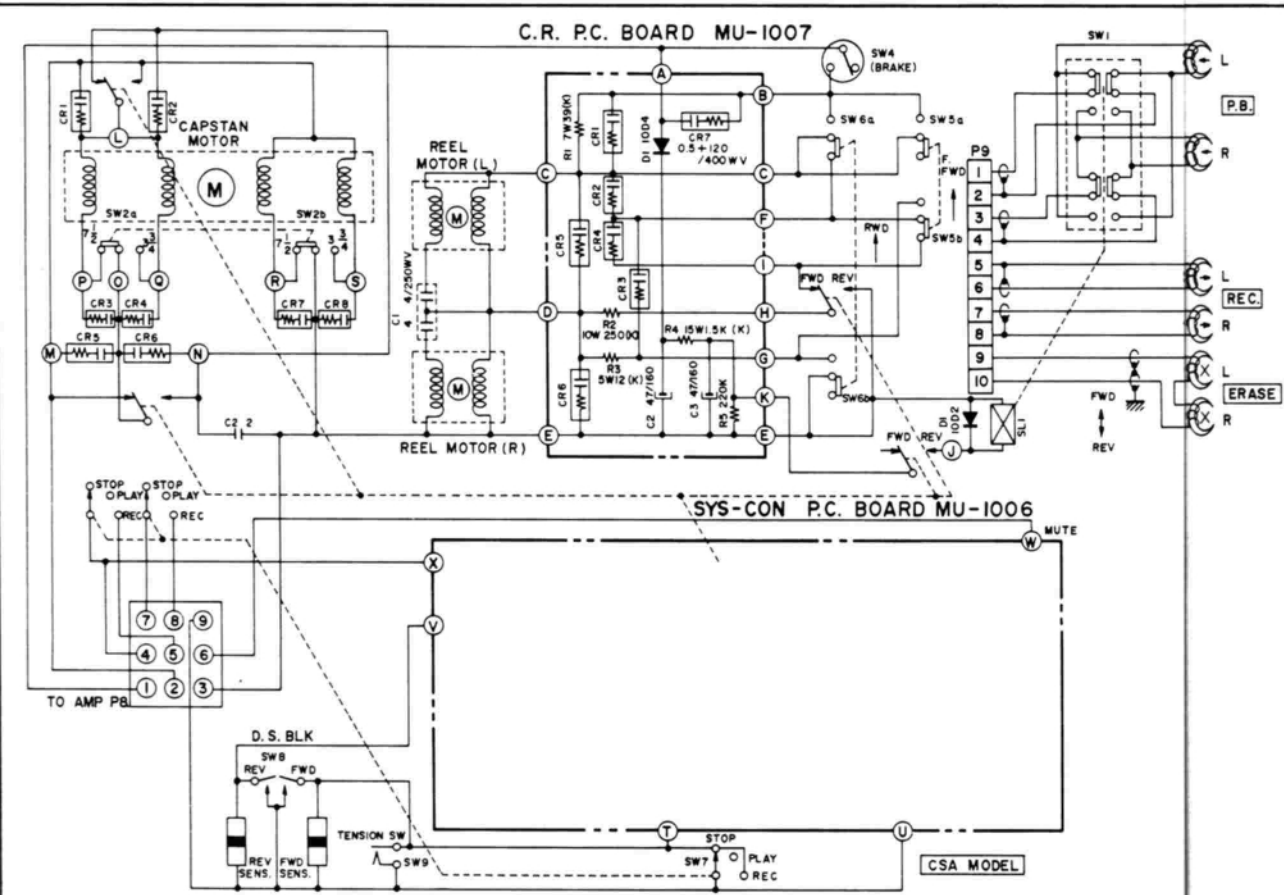


Achtung: Zwischen den Punkten doppelt; kleiner Infoverlust durch Lochung!



GX-210D
SCHEMATIC DIAGRAM
NO.2-1 1480234A
2C



NOTE
 UNLESS OTHERWISE SPECIFIED
 ALL RESISTORS IN A 1/4W(J)
 ALL CAPACITORS IN μF 50V(J)
 ALL SPARK QUENCHERS IN $0.1\mu\text{F}$ 120V/400W.V.
 SPARK QUENCHERS CR1 TO CR8 SHOWN IN
 PARENTHESIS () ARE LOCATED ON
 SYS-CON P.C. BOARD
 MECHANISM BLOCK IS DIFFERENT
 ACCORDING TO AREA.

GX-210D
 SCHEMATIC DIAGRAM
 NO.2-2 1480235A
 2c