

HiFi ENGINE®

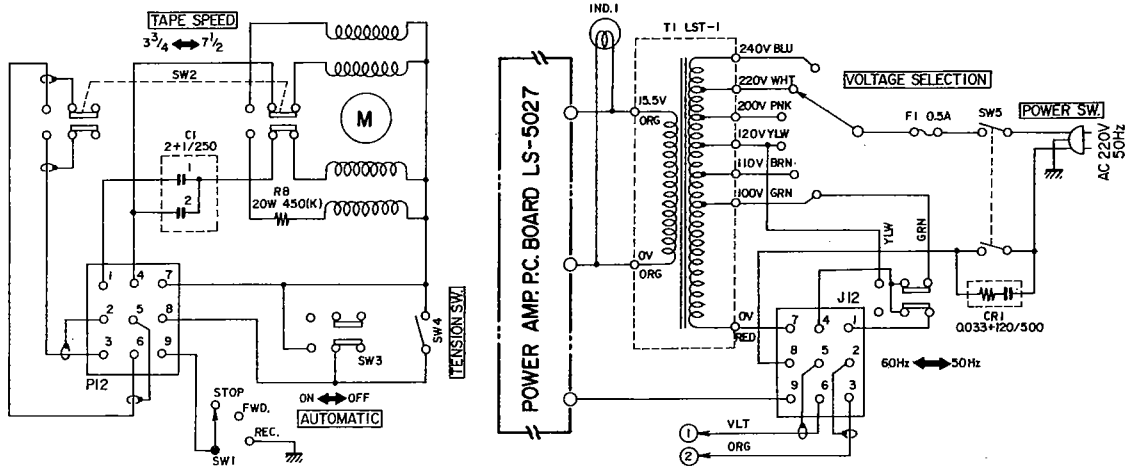
For more Hi-Fi manuals and set-up information
please visit www.hifiengine.com

SECTION 3

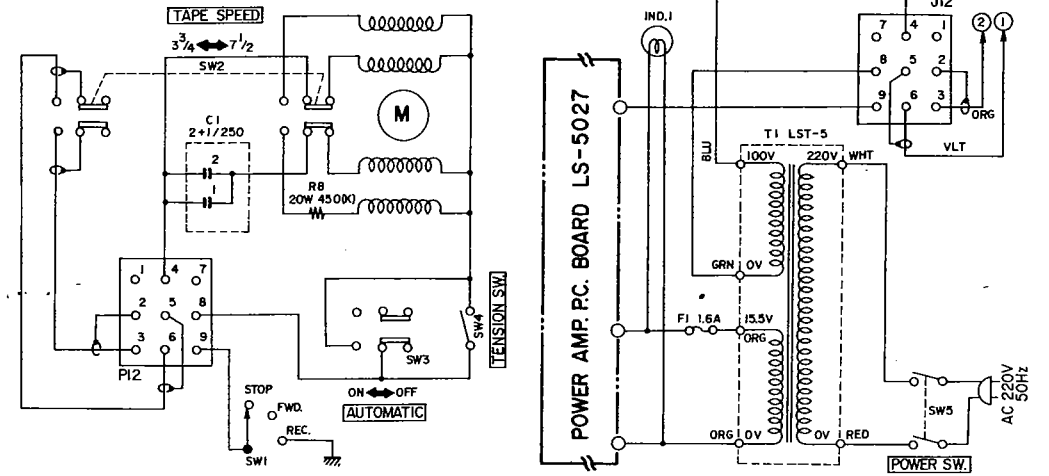
SCHEMATIC DIAGRAM

1. 1722W SCHEMATIC DIAGRAM
2. 1722L SCHEMATIC DIAGRAM

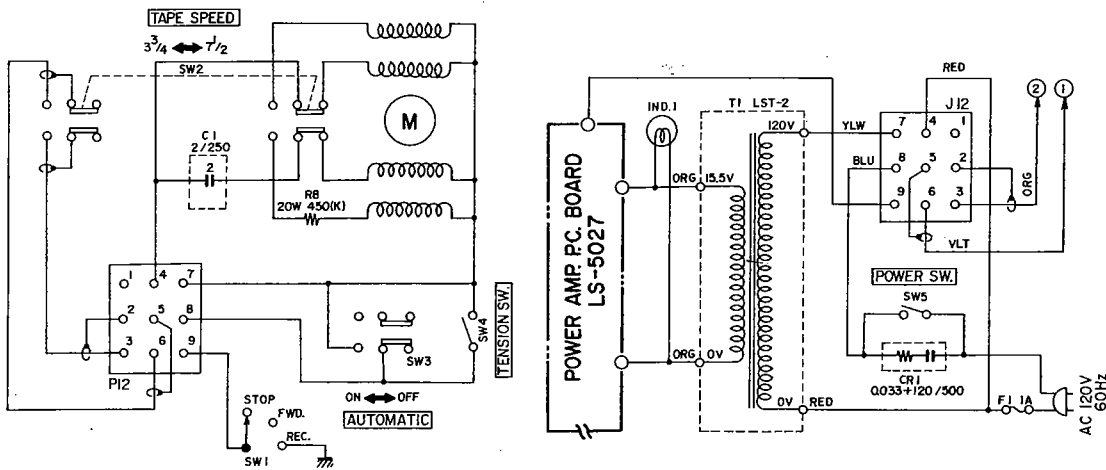
1722W/L



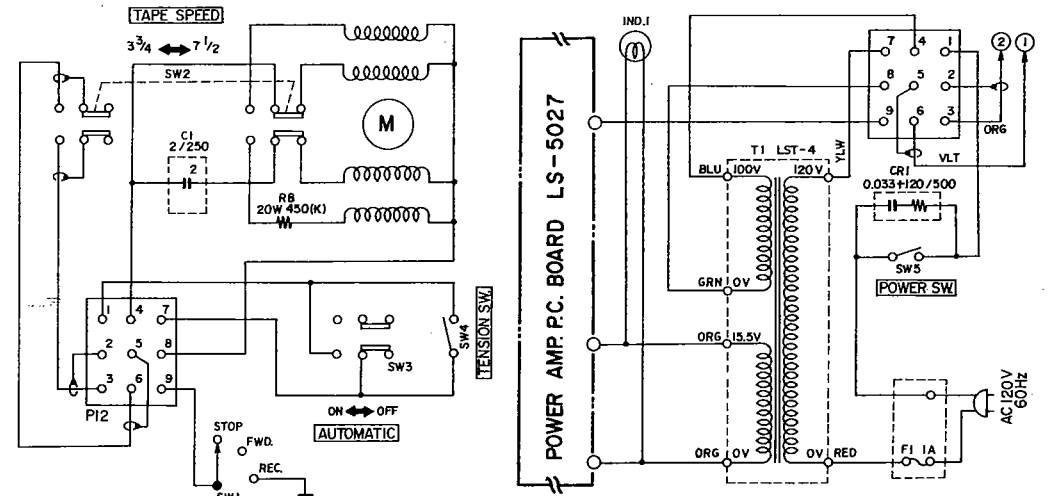
WG 1722W(L)



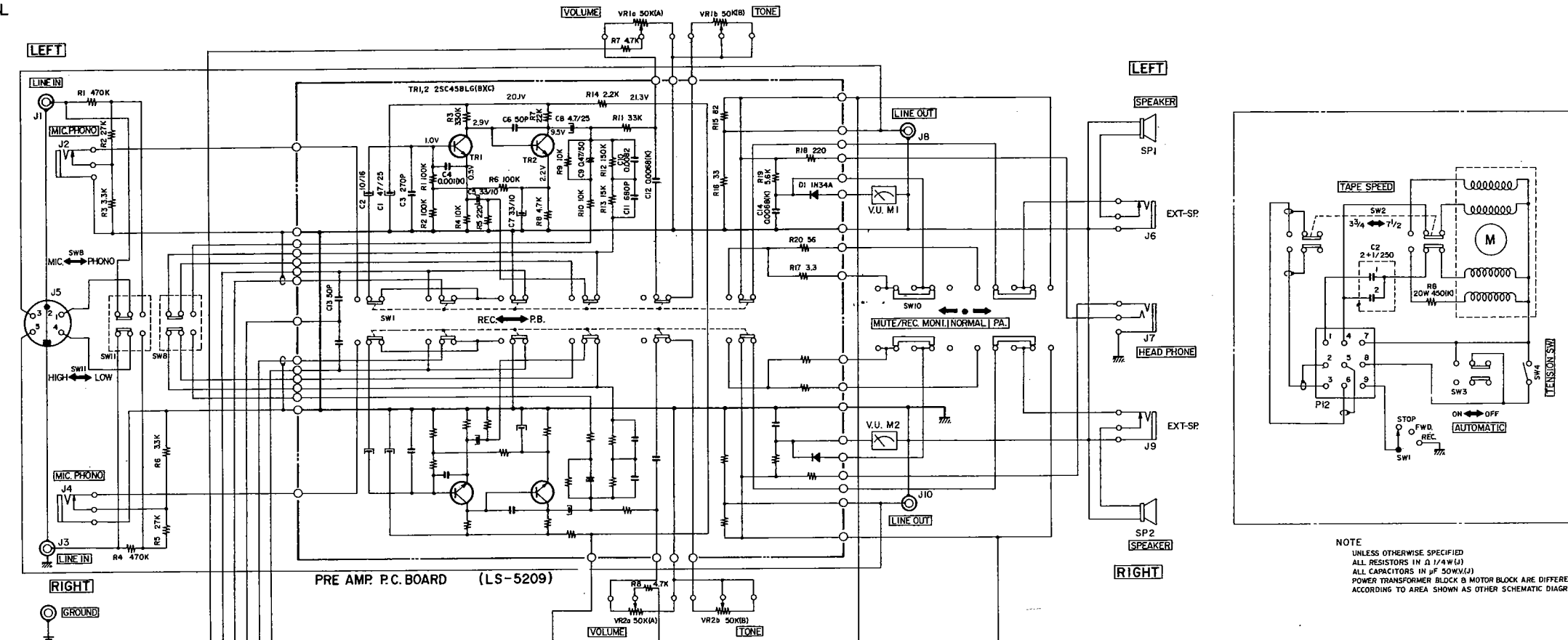
CEE 1722W(L)



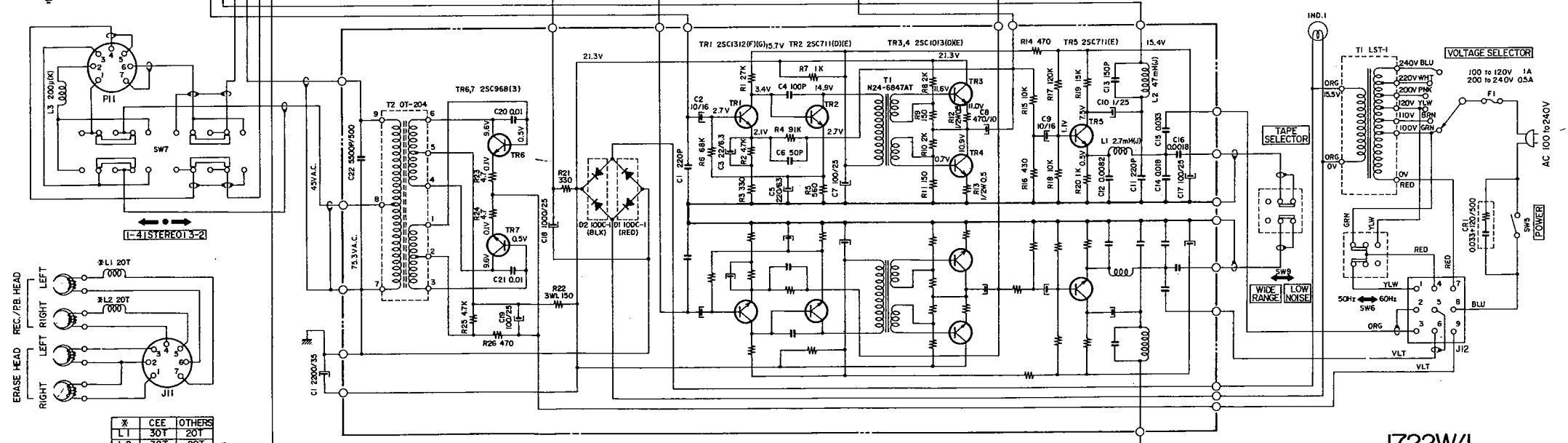
AAL 1722W



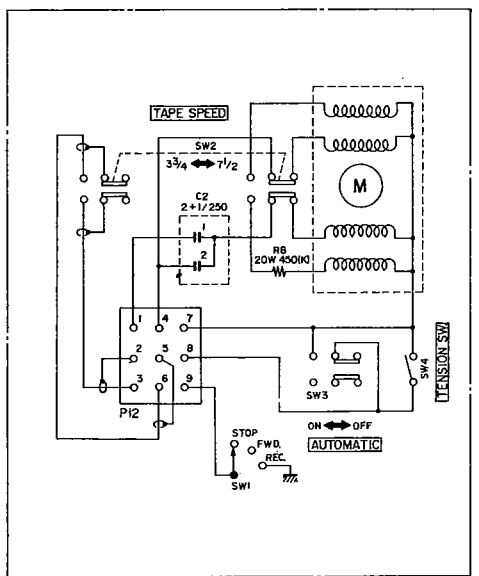
CSA 1722W



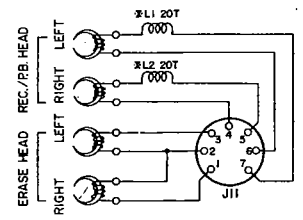
PRE AMP. P.C. BOARD (LS-5209)



POWER AMP. & POWER SUPPLY P.C. BOARD (LS-5207)



NOTE
UNLESS OTHERWISE SPECIFIED
ALL RESISTORS IN Ω 1/4W(J)
ALL CAPACITORS IN μ F 50WV(J)
POWER TRANSFORMER BLOCK & MOTOR BLOCK ARE DIFFERENT
ACCORDING TO AREA SHOWN AS OTHER SCHEMATIC DIAGRAM



X	CEE	OTHERS
L1	30T	20T
L2	30T	20T