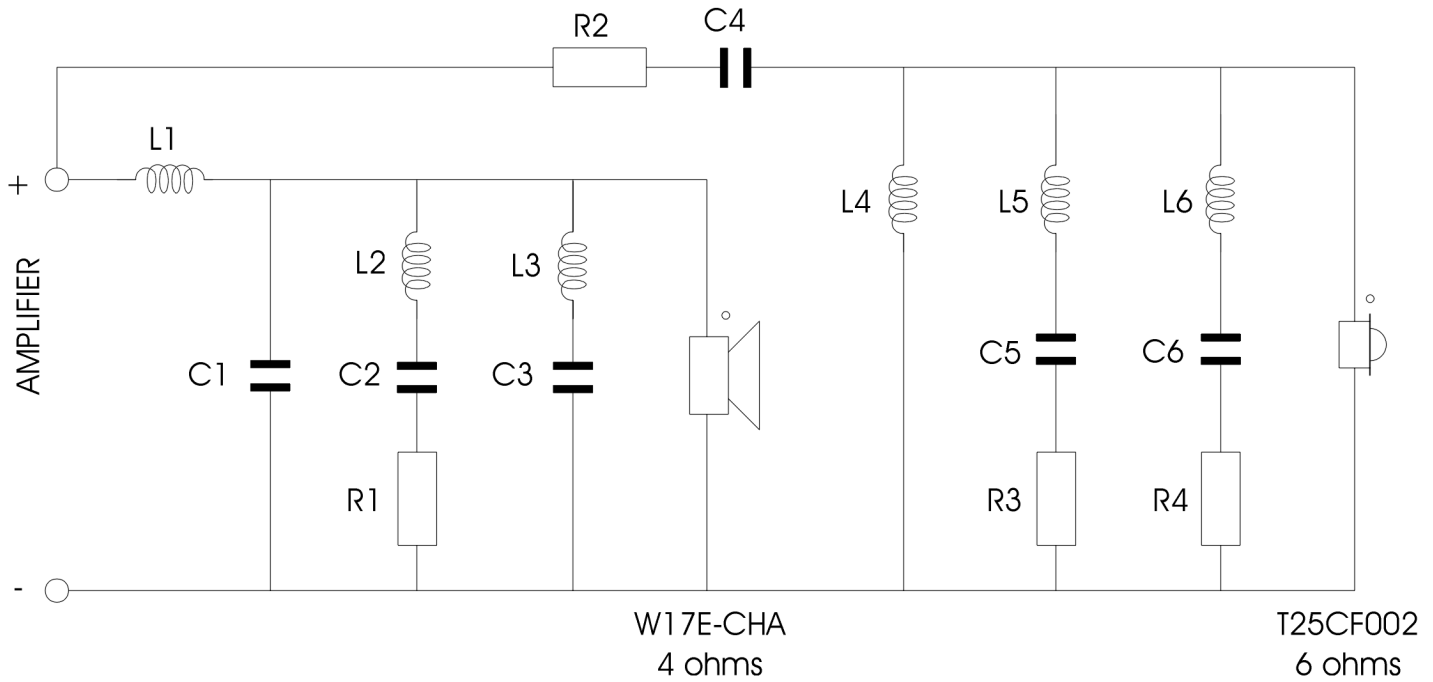


CROSSOVER NETWORK for CHARIS



ADDITIONAL MASS SP17R = 2 grammes

| COIL | CAPACITOR | RESISTOR |
|---|----------------------------|-------------------|
| L1 = 1,00mH 0,18ohm CFI 3.29mm ² | C1 = 10 μ F MKP 400V | R1 = 8,2R MOX 10W |
| L2 = 0,82mH 0,52ohm \varnothing 1.0mm | C2 = 62 μ F ELKO 70VAC | R2 = 2,2R MOX 10W |
| L3 = 0,15mH 0,10ohm \varnothing 1.4mm | C3 = 5,6 μ F MKP 400V | R3 = 4,7R MOX 10W |
| L4 = 0,68mH 0,47ohm \varnothing 1.0mm | C4 = 8,2 μ F MKP 630V | R4 = 8,2R MOX 10W |
| L5 = 0,47mH 0,36ohm \varnothing 1.0mm | C5 = 2,2 μ F MKP 400V | |
| L6 = 1,20mH 0,65ohm \varnothing 1.0mm | C6 = 68 μ F ELKO 35VAC | |