

STR-DE225/DE325

SERVICE MANUAL

AEP Model
Canadian Model
 STR-DE225/DE325
US Model
E Model
Australian Model
Chinese Model
 STR-DE325
UK Model
 STR-DE225



Photo : STR-DE225

Manufactured under license from Dolby Laboratories Licensing Corporation.
 "DOLBY", "PRO LOGIC" and the double-D symbol are trademarks of Dolby Laboratories Licensing Corporation.

SPECIFICATIONS

Amplifier section

Power output

Stereo mode (DIN 1 kHz, 4 ohms)
 STR-DE325: 90 W + 90 W
 STR-DE225: 40 W + 40 W
 Surround mode (DIN 1 kHz, 4 ohms)
 Front: STR-DE325: 90W/ch
 STR-DE225: 40W/ch
 Centre: STR-DE325: 90W
 STR-DE225: 40W
 (only in PRO LOG IC MODE)
 REAR: STR-DE325:
 (DIN 1 kHz, 4ohms) 90 W
 STR-DE225: (DIN 1 kHz,
 4ohms) 40 W

5.1/DVD
 INPUT * mode Front: 90 W/ch
 (DIN 1 kHz, 4 ohms)
 Centre: 90 W
 (DIN 1 kHz, 4 ohms)
 Rear: 45 W/ch
 (DIN 1 kHz, 8 ohms)
 (except STR-DE225)

Frequency response PHONO: RIAA(except STR-DE225)
 equalization curve ± 0.5 dB
 TV / LD, CD, TAPE / MD,
 VIDEO, 5.1/DVD INPUT*:
 10Hz - 50kHz ± 1 dB

Input

| | Sensitivity | Impedance | S/N (Weighting network, input level) |
|------------------------------|-------------|------------|--|
| PHONO (STR-DE325) (MM) | 2.5mV | 50 kilohms | 74 dB 72 dB** (A, 2.5 mV) |
| CD, 5.1/DVD INPUT* | 200 mV | | |
| TAPE/MD, TV/LD, VIDEO | | 50 kilohms | 82 dB 82 dB** |

Outputs

TAPE/MD REC OUT:
 Voltage: 150 mV,
 Impedance: 10 kilohms
 VIDEO AUDIO OUT:
 Voltage: 150 mV,
 Impedance: 10 kilohms
 WOOFER/MIX AUDIO
 OUT: Voltage: 2V
 Impedance: 10 kilohms
 PHONES: Accepts low and high
 impedance headphones

Muting Full mute
 BASS BOOST +10dB at 70 Hz
 TONE ± 8 dB at 100 Hz and 10 kHz

FM tuner section

Tuning range 87.5 - 108.0 MHz
 Aerial terminals 75 ohms, unbalanced
 Sensitivity Mono: 18.3 dBf, 2.2 μ V /75 ohms
 Stereo: 38.3 dBf, 22.5 μ V /75 ohms
 Usable sensitivity 11.2 dBf, 1V /75 ohms (IHF)
 S/N Mono: 76 dB
 Stereo: 70dB
 Harmonic distortion at 1 kHz Mono: 0.3 %
 Stereo: 0.5 %
 Separation 45dB at 1 kHz
 Frequency response 30 Hz - 15kHz ± 0.5 dB
 Selectivity 60 dB at 400 kHz

AM tuner section

Tuning range 531 - 1602 kHz
 Aerial Loop aerial
 Usable sensitivity 50 dB/m (at 999 kHz)
 S/N 54 dB(at 50 mV/m)
 Harmonic distortion 0.5%(50 mV/m, 400Hz)
 Selectivity 35 dB

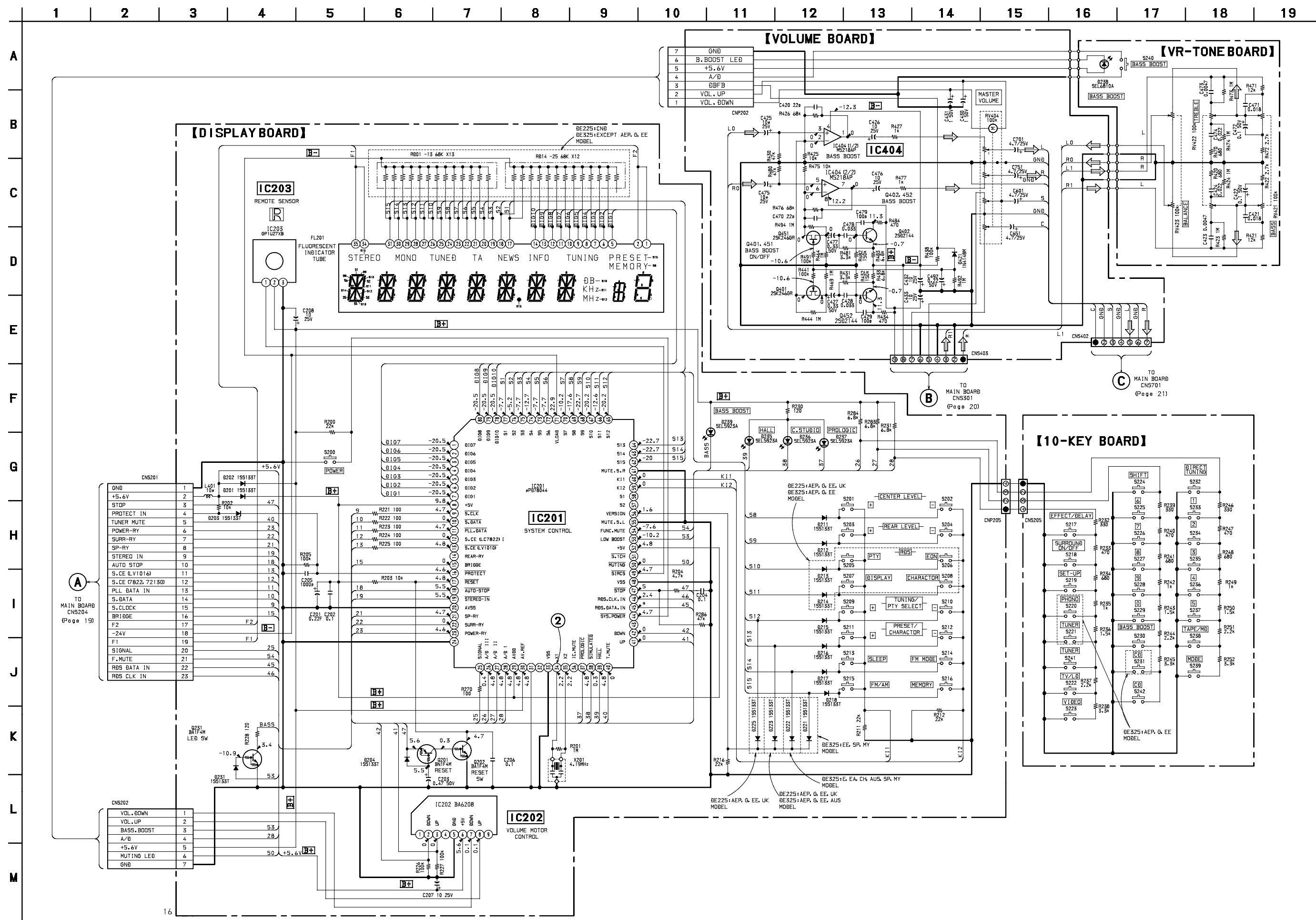
— Continued on next page —

FM STEREO/FM-AM RECEIVER



SONY®

3-3. SCHEMATIC DIAGRAM — DISPLAY SECTION —



A
B
C
D
E
F
G
H
I
J
K
L
M

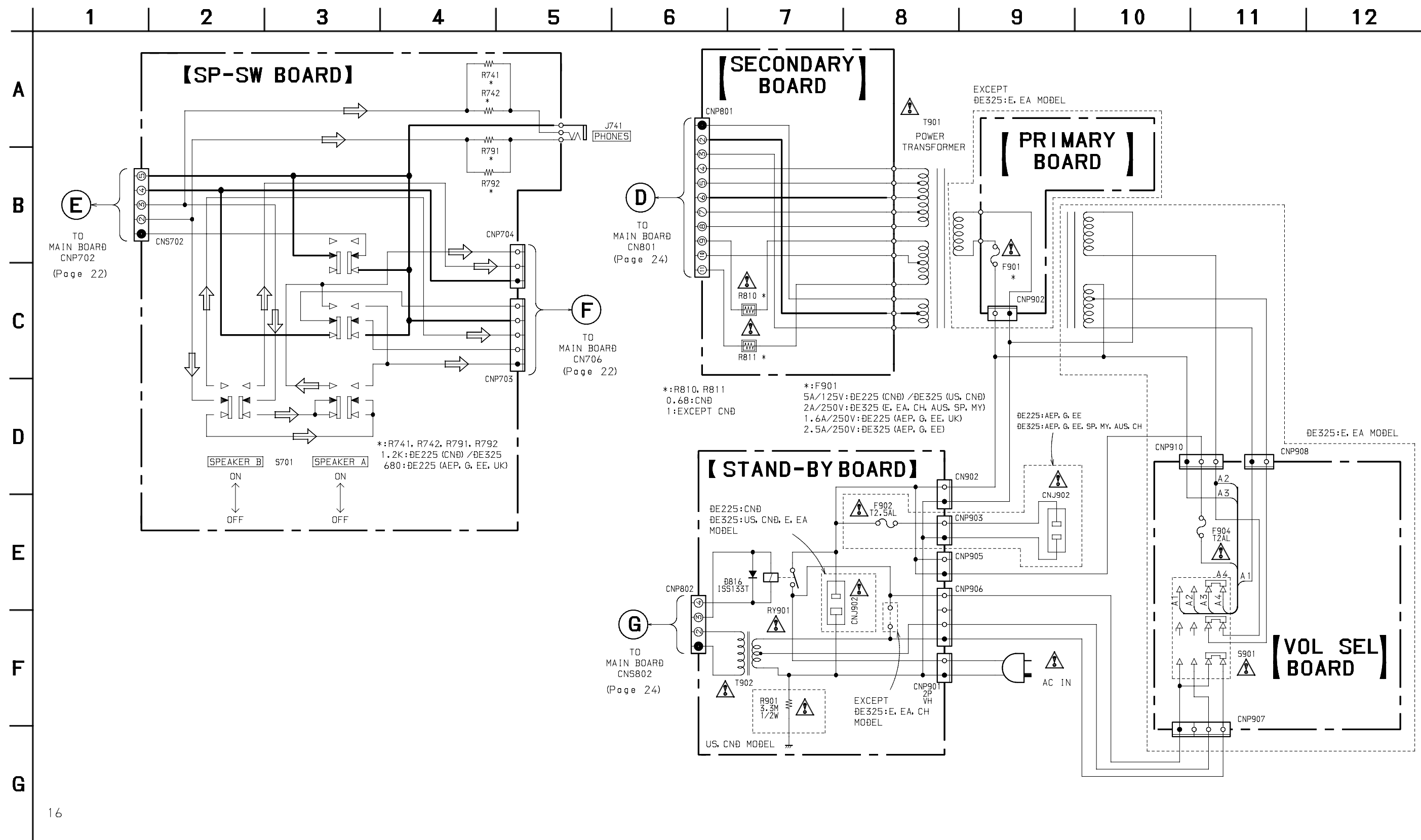
1 2 3 4 5 6 7 8 9 10 11 12 13 14 15 16 17 18 19

A TO MAIN BOARD CNS204 (Page 19)

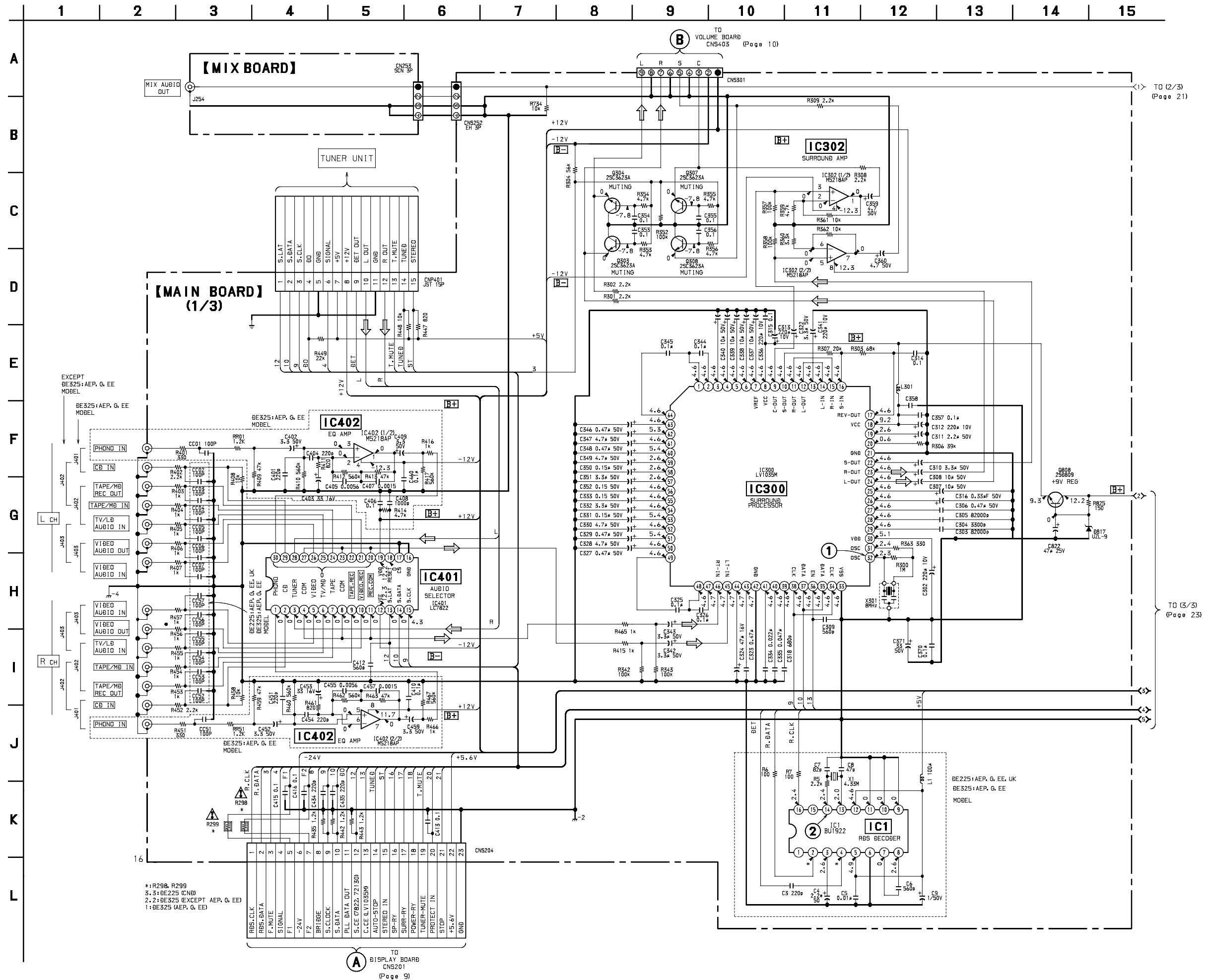
B TO MAIN BOARD CNS501 (Page 20)

C TO MAIN BOARD CNS701 (Page 21)

3-5. SCHEMATIC DIAGRAM — POWER SECTION —



3-8. SCHEMATIC DIAGRAM — MAIN SECTION (1/3) —

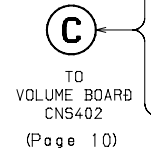
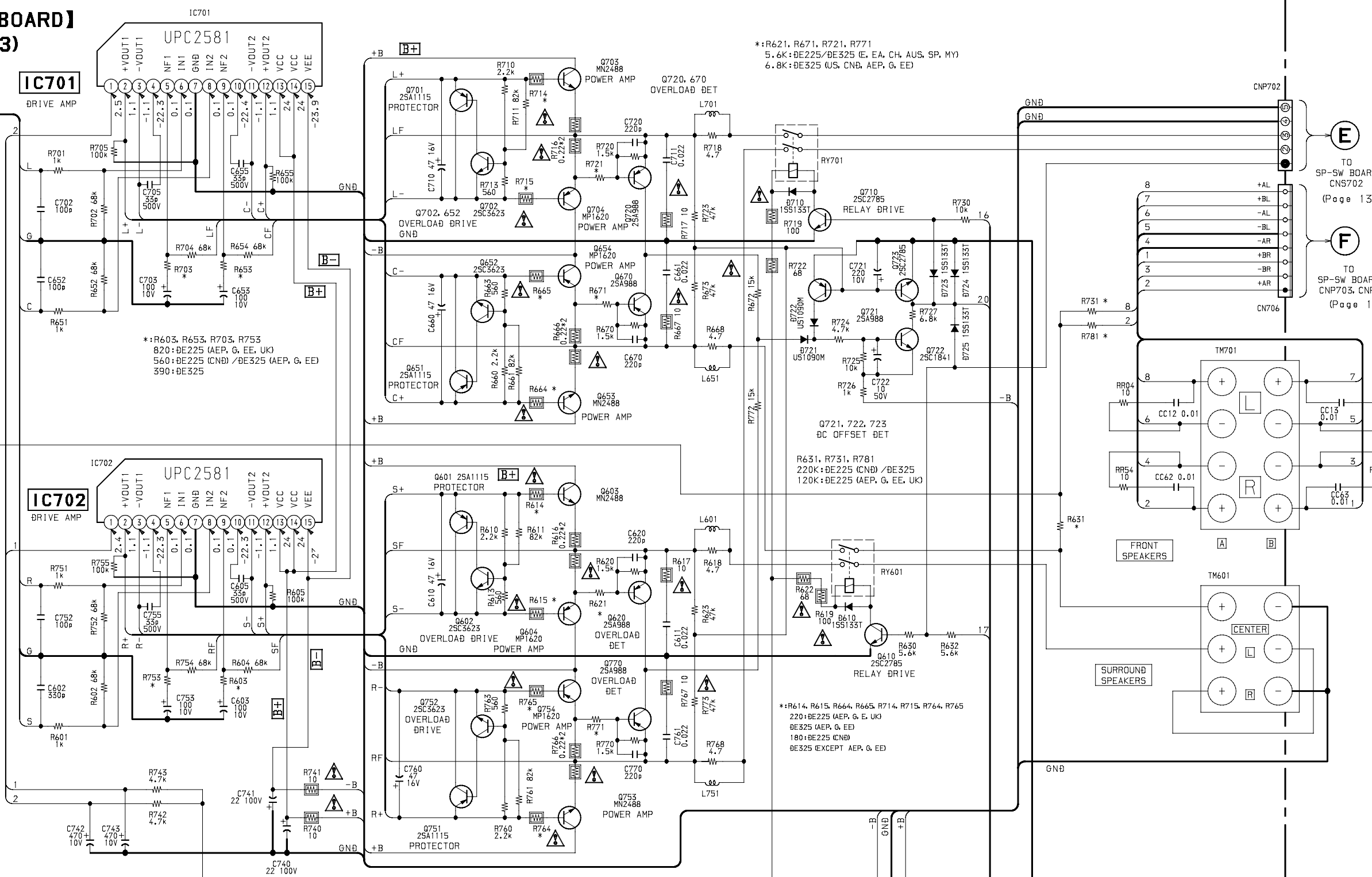


*:R298, R299
 3, 3:BE225 (CND)
 2, 2:BE325 (EXCEPT AEP, G, EE)
 1:BE325 (AEP, G, EE)

1 2 3 4 5 6 7 8 9 10 11 12 13 14 15

A B C D E F G H I K

[MAIN BOARD]
(2/3)



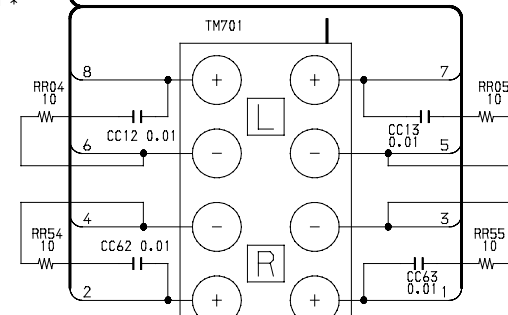
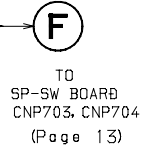
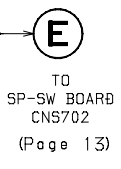
TO (1/3) <1>
(Page 20)

*:R603, R653, R703, R753
820:DE225 (AEP, G, EE, UK)
560:DE225 (CND) /DE325 (AEP, G, EE)
390:DE325

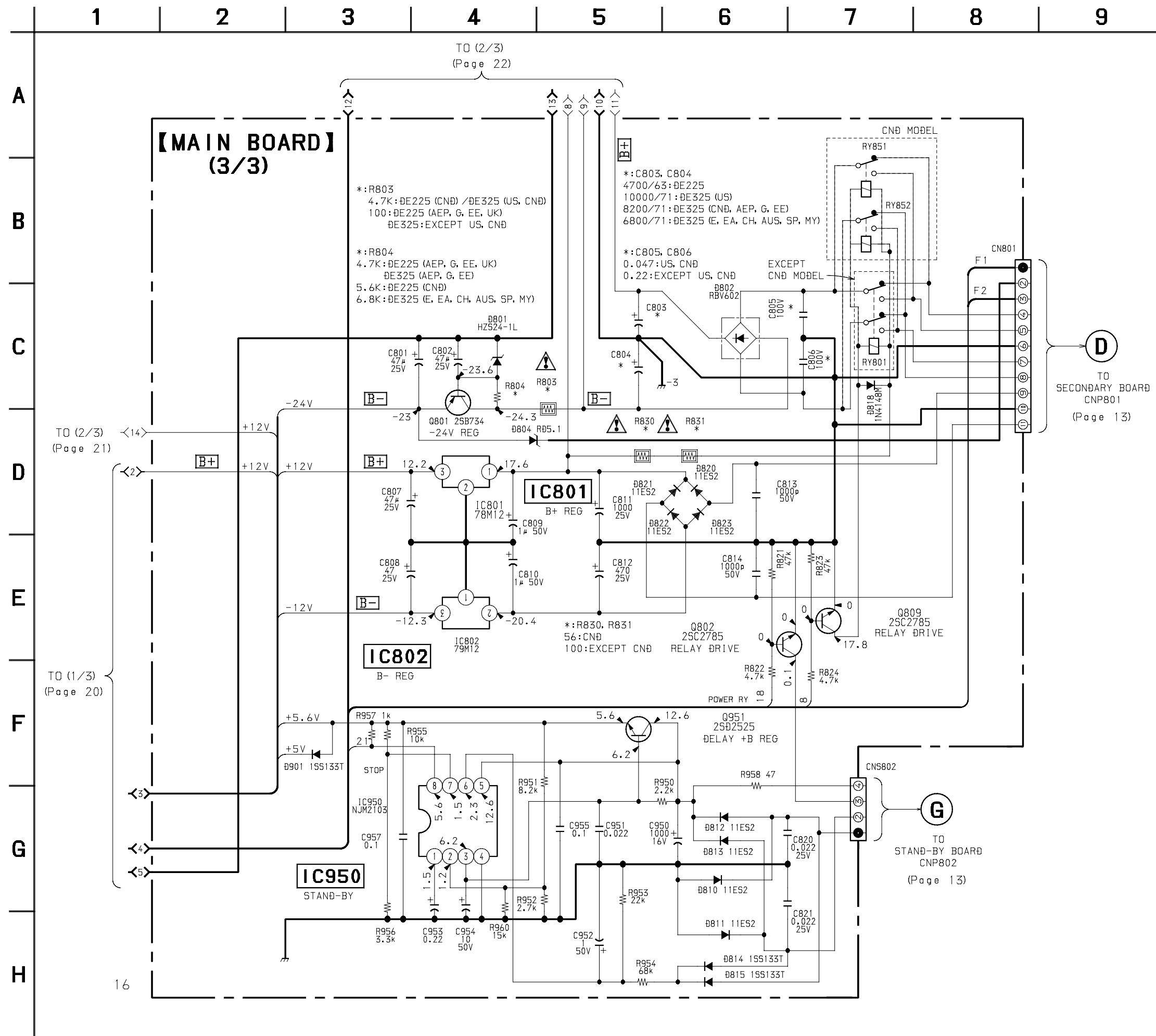
*:R621, R671, R721, R771
5.6K:DE225/DE325 (E, EA, CH, AUS, SP, MY)
6.8K:DE325 (US, CND, AEP, G, EE)

TO (3/3)
(Page 23)

TO (3/3)
(Page 23)



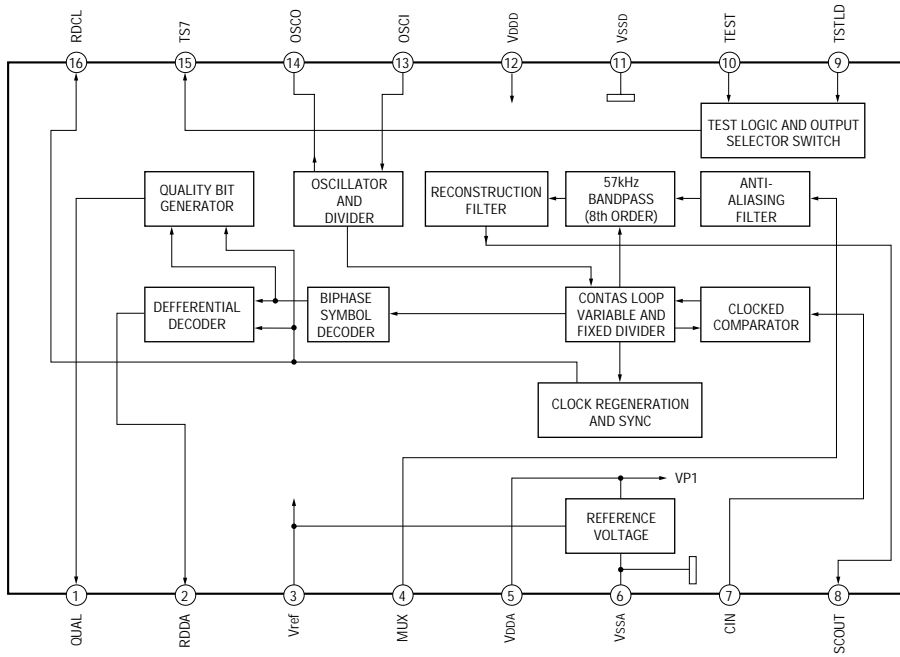
3-10. SCHEMATIC DIAGRAM — MAIN SECTION (3/3) —



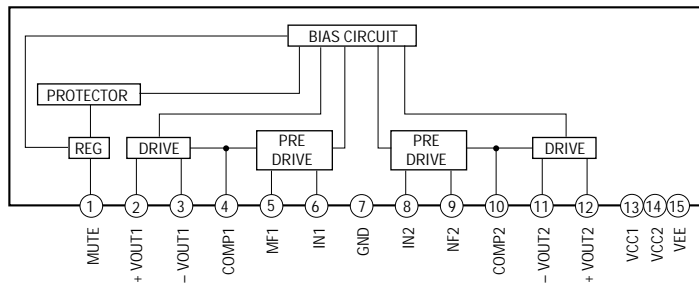
3-12. IC BLOCK DIAGRAMS

• IC BLOCK DIAGRAMS

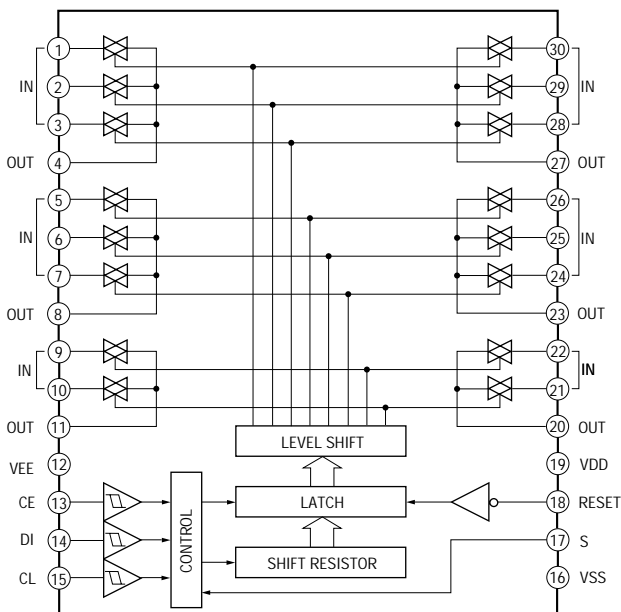
IC1 BU1922



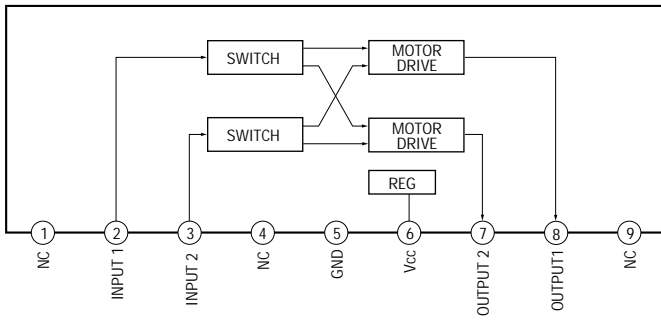
IC701 uPC2581V



IC401, IC500 LC7822



IC202 BA6208



IC950 NJM2103D

