

# Vivitar

---

## Illustrated Parts List



**Series 1**  
**24-48 mm f/3.8 Automatic**  
**Fixed Mount Zoom Lens**

Publication No. 3746105 / November 1978

## HOW TO USE THIS PUBLICATION

### **I. CAUTIONS**

This publication is intended for use by persons having the skills and equipment needed to service the subject product(s) safely and correctly. Users are cautioned that special tools and/or test equipment may be required for proper disassembly, reassembly, alignment or adjustment of the product.

### **II. HOW TO FIND PART ORDER NUMBERS**

Parts are illustrated on exploded view drawings where each part is identified by a reference number or a designator. These reference numbers appear in sequence in the parts lists where they are cross-referenced to part numbers and descriptions.

When the initials NAS appear in the "Part Number" column, that part is Not Available Separately, and can be obtained only by ordering the assembly containing it. The part number of that assembly may be shown immediately to the right on the same line, in an "Included in Assembly" column, or at the end of the parts list(s).

In parts list for lenses and related products, quantities of each item are listed as used in the different mounts. The mounts are referred as:

M	=	Minolta MD Series Mount	P	=	Pentax K
C	=	Canon FL/FD Series Mount	N	=	Nikon AI
O	=	Olympus OM Series Mount			

Note that some parts are common to more than one mount. This commonality is shown in the parts lists so that service centers desiring to stock replacement parts can order economically.

### **III. HOW TO ORDER PARTS**

Please furnish the Model Number and Serial Number of the product for which parts are being ordered. For each part requested, please supply Vivitar part number, description, and required quantity.

Information contained herein is subject to change without notice.

Mail or Phone parts orders to:

**Vivitar Central Parts Service  
2700 Pennsylvania Avenue  
Santa Monica, California 90406  
Telephone: (213) 829-3672  
or (213) 870-0181**

## LIST OF ILLUSTRATIONS

<u>FIGURE NO.</u>	<u>TITLE</u>	<u>PAGE</u>
1	LENS SCHEMATIC .....	ii
2	EXPLODED VIEW, NIKON-AI MOUNT .....	1
3	EXPLODED VIEW, MINOLTA-MD MOUNT .....	2
4	EXPLODED VIEW, CANON MOUNT .....	3
5	EXPLODED VIEW, OLYMPUS MOUNT .....	4
6	EXPLODED VIEW, PENTAX-P/K MOUNT .....	5
7	FIRST LENS GROUP ASSEMBLY .....	6
8	REAR LENS GROUP ASSEMBLY .....	6
9	LENS TUBE KIT ASSEMBLY .....	7
10	REAR MOUNT ASSEMBLY, NIKON-AI MOUNT .....	8
11	DIAPHRAGM HOUSING ASSEMBLY, NIKON-AI MOUNT .....	9
12	REAR MOUNT ASSEMBLY, MINOLTA-MD MOUNT .....	9
13	DIAPHRAGM HOUSING ASSEMBLY, MINOLTA-MD MOUNT .....	9
14	REAR MOUNT ASSEMBLY, CANON MOUNT .....	10
15	DIAPHRAGM HOUSING ASSEMBLY, CANON MOUNT .....	10
16	DIAPHRAGM HOUSING ASSEMBLY, OLYMPUS MOUNT .....	11
17	DIAPHRAGM HOUSING ASSEMBLY, PENTAX-P/K MOUNT .....	11
18	REAR MOUNT ASSEMBLY, OLYMPUS MOUNT .....	12
19	REAR MOUNT ASSEMBLY, PENTAX-P/K MOUNT .....	12
20	HELICOID, CRITICAL DIMENSIONS .....	13
21	TOLERANCES, DIAPHRAGM SIZE FOR 24mm AND 48mm .....	14
	ZOOM POSITIONS	

**VIVITAR SERIES 1 LENS  
24-48mm f/3.8 AUTOMATIC FIXED MOUNT ZOOM**

**GENERAL SPECIFICATIONS**

Focal Length .....	24mm to 48mm
Optical Construction .....	10 Elements in 9 Groups
Angle of Acceptance .....	39°, 23°
Minimum Focusing Distance (From Film Plane) .....	0.6m
Accessory Size .....	77mm
Maximum Barrel Diameter .....	80mm
Weight .....	557 g

**SERVICE NOTE:**

When removing the scale ring locking ring (Ref. No. 11), avoid excessive vertical pressure. This will prevent damage to the outer helicoid and make the ring easier to remove.

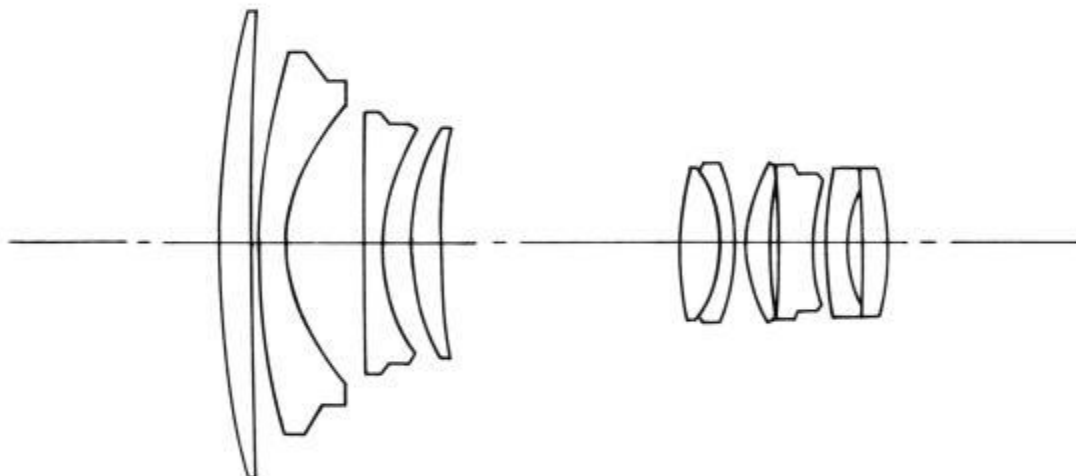


Figure 1. Lens Schematic

**IDENTIFICATION AND MOUNT CONFIGURATION**

These lenses are furnished in five mount configurations as follows:

Mount	Marketing Stock Number	Vivitar Part Number
Minolta MD/SRT/SR Series	0311803	3900067-220
Canon FL/FD Series	0311744	3900068-220
Nikon/Nikkormat AI/F Series	0311799	3900069-220
Olympus OM Series	0311777	3900070-220
Pentax K/M Series	0311788	3900071-220

VIVITAR SERIES 1  
 24-48mm f/3.8 AUTOMATIC ZOOM  
 NIKON-AI MOUNT

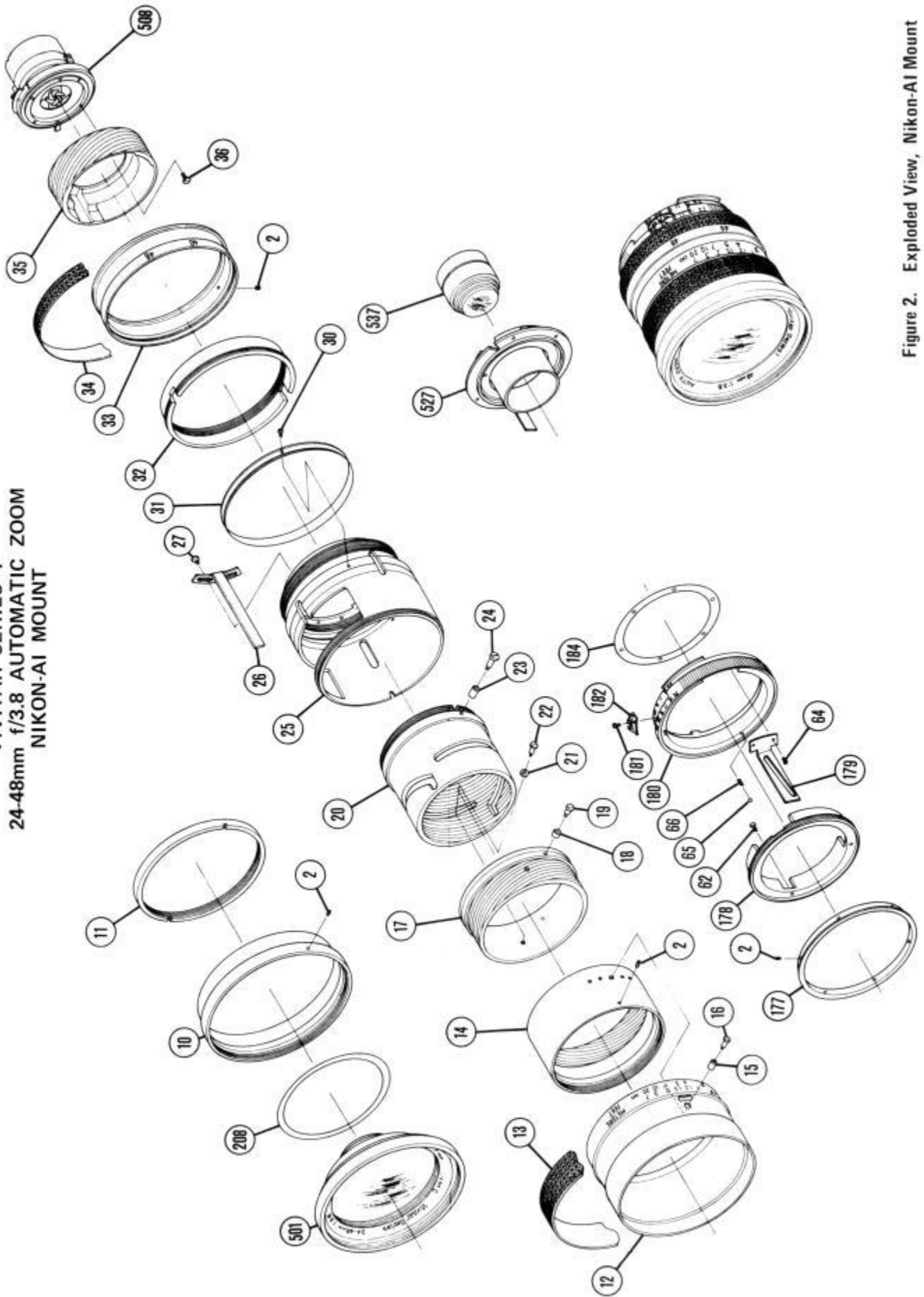


Figure 2. Exploded View, Nikon-AI Mount

VIVITAR SERIES 1  
 24-48mm f/3.8 AUTOMATIC ZOOM  
 MINOLTA-MD MOUNT

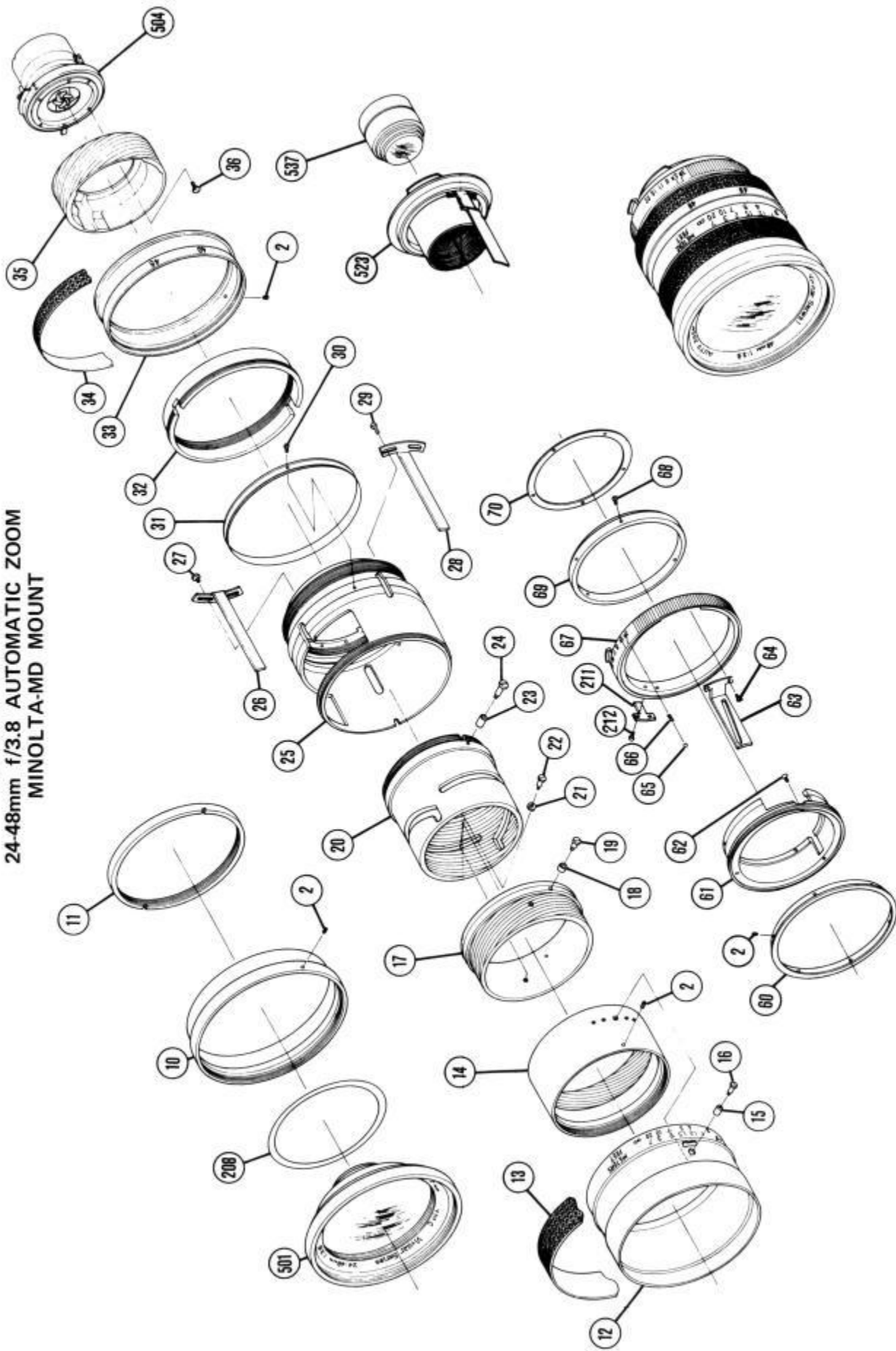


Figure 3. Exploded View, Minolta-MD Mount







VIVITAR SERIES 1  
 24-48mm f/3.8 AUTOMATIC ZOOM  
 PENTAX-P/K MOUNT

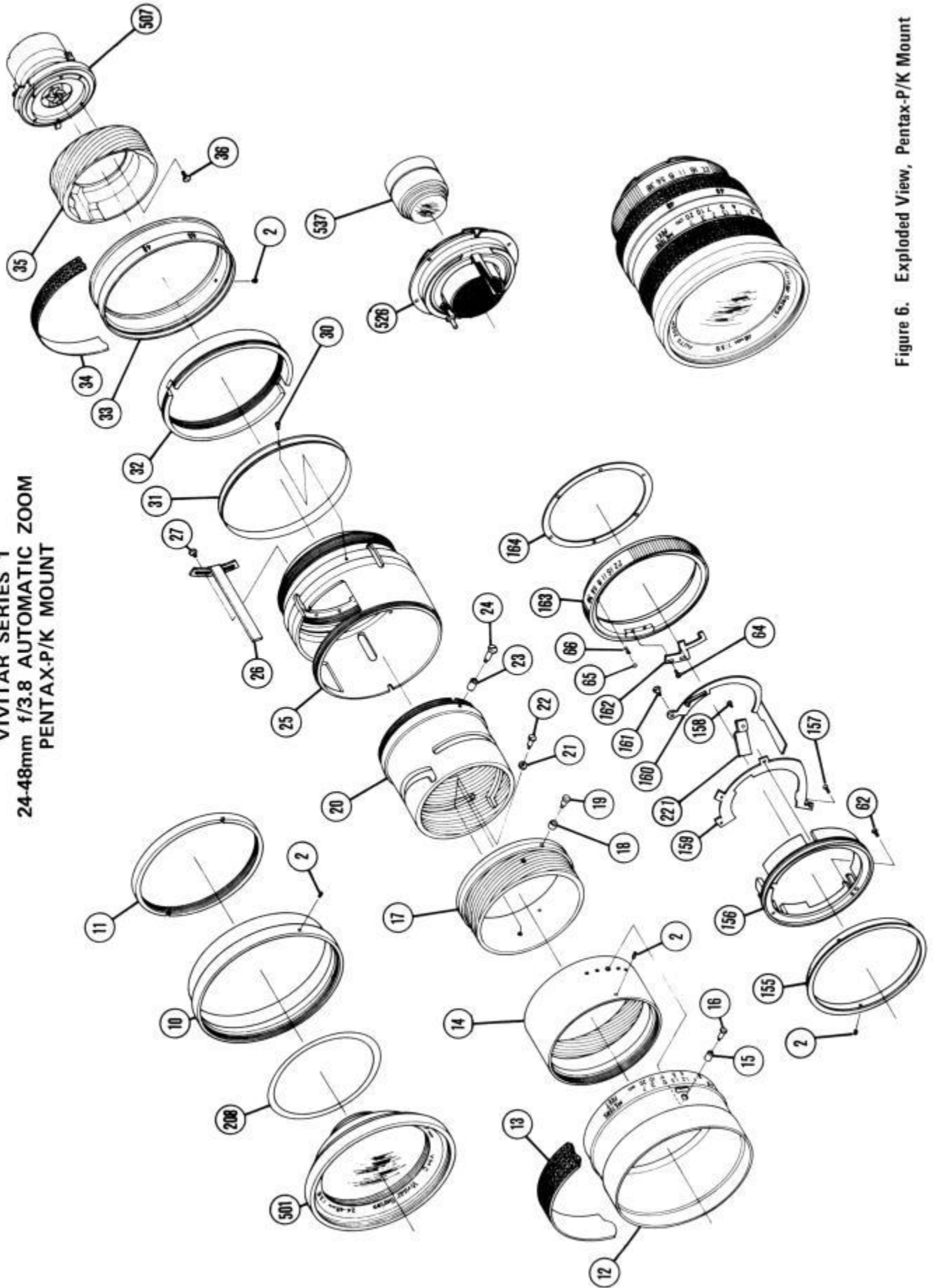
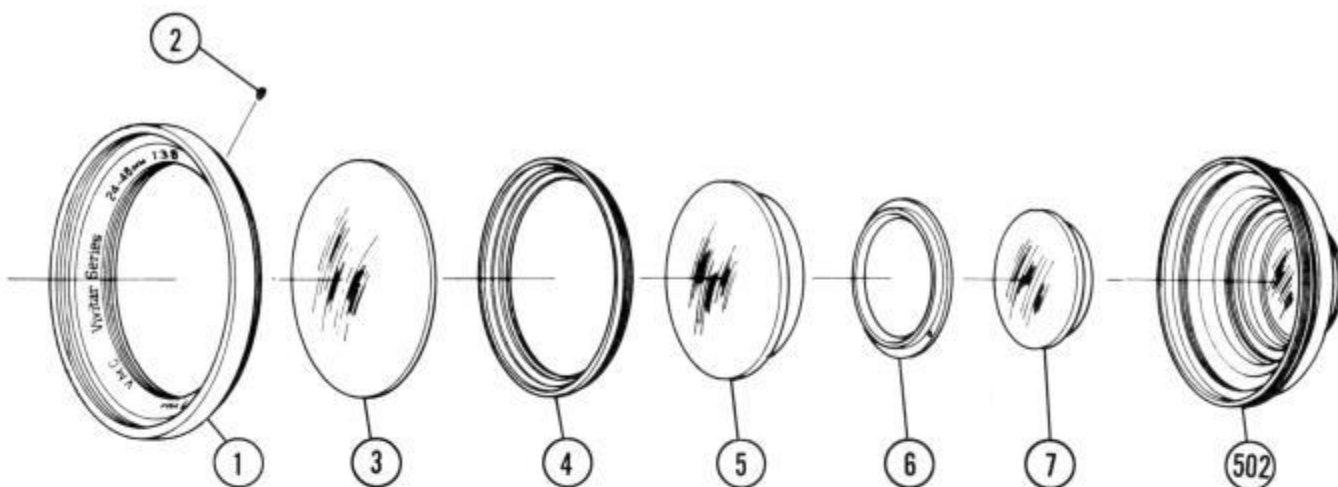
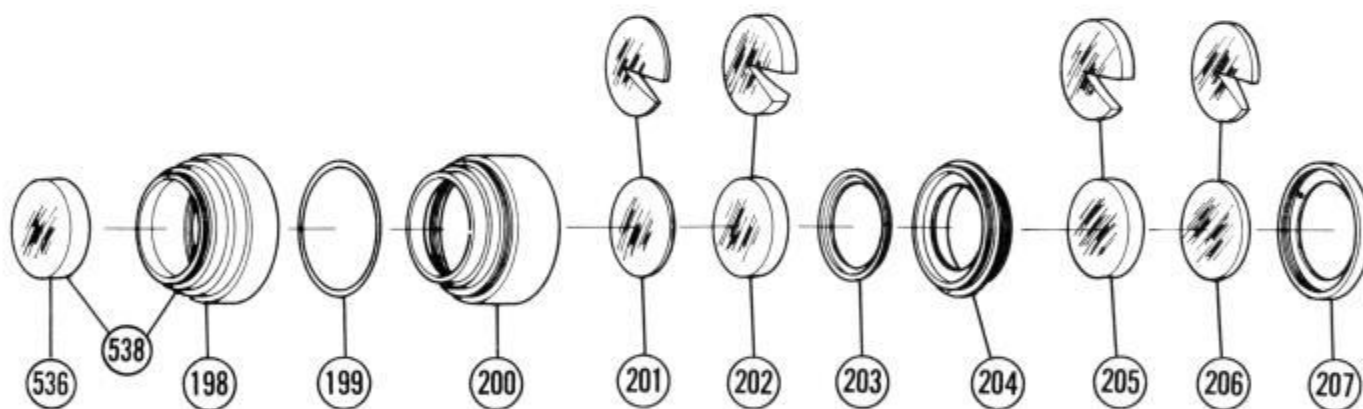


Figure 6. Exploded View, Pentax-P/K Mount



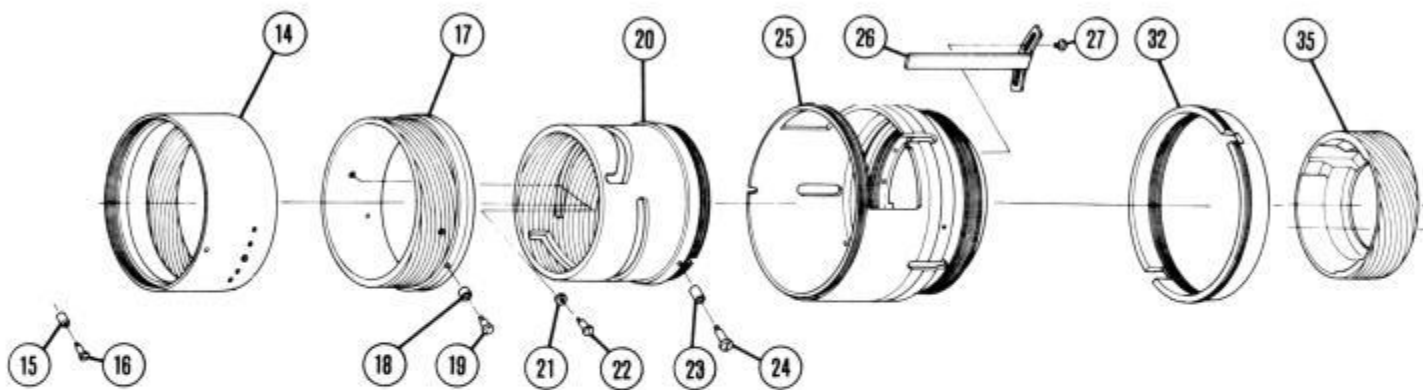
501 – FIRST LENS GROUP ASSEMBLY

Figure 7. First Lens Group Assembly



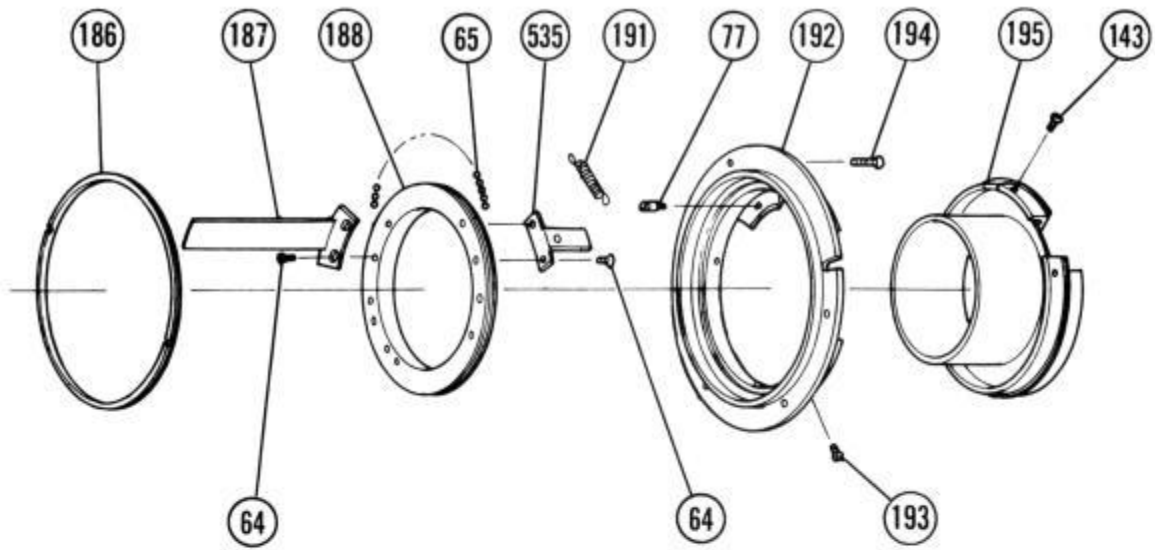
537 – REAR LENS GROUP ASSEMBLY

Figure 8. Rear Lens Group Assembly



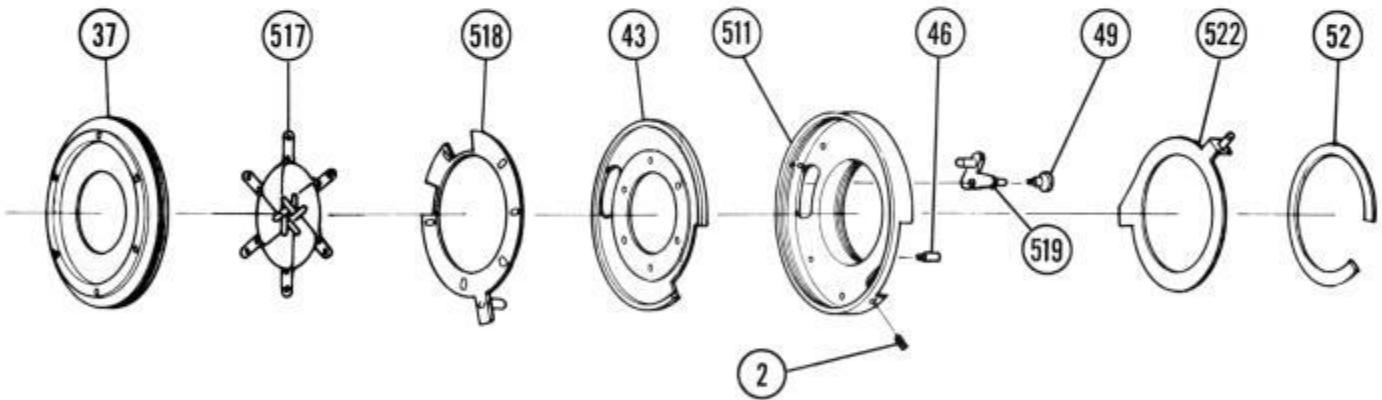
541 – ASSEMBLY, LENS TUBE KIT

Figure 9. Lens Tube Kit Assembly



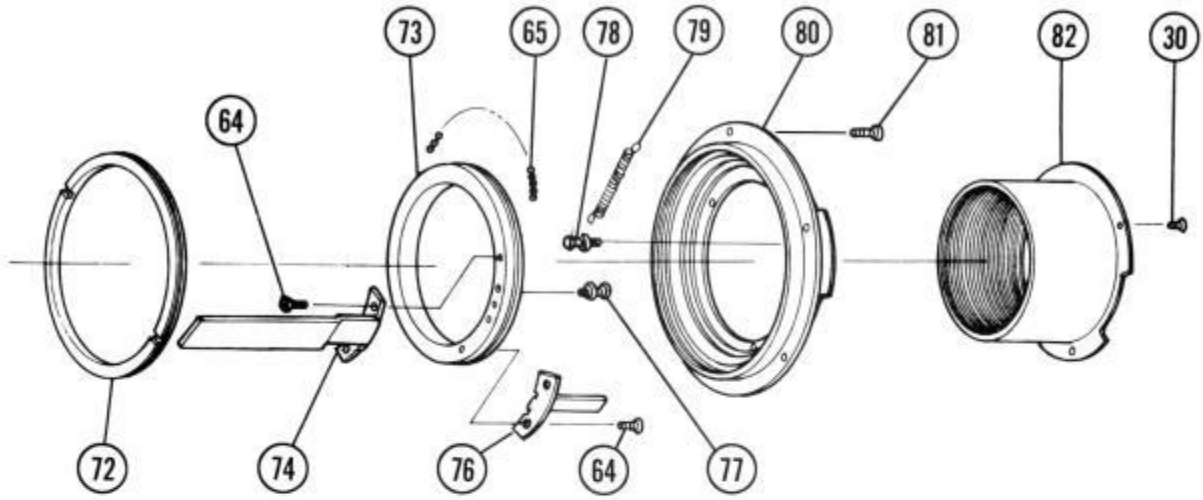
527 – ASSEMBLY, REAR MOUNT, NIKON-AI

Figure 10. Rear Mount Assembly, Nikon-AI Mount



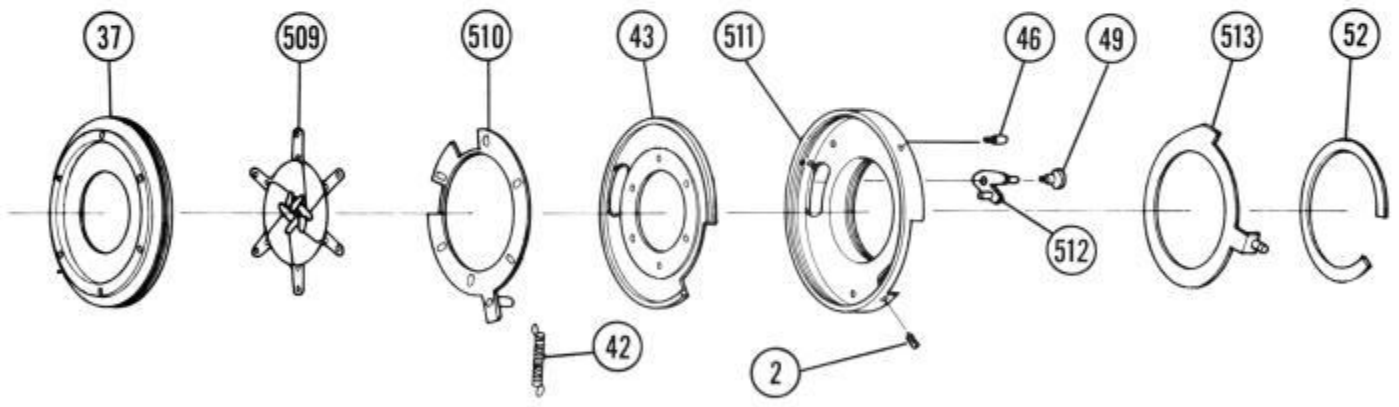
508 – ASSEMBLY, DIAPHRAGM HOUSING, NIKON-AI MOUNT

Figure 11. Diaphragm Housing Assembly, Nikon-AI Mount



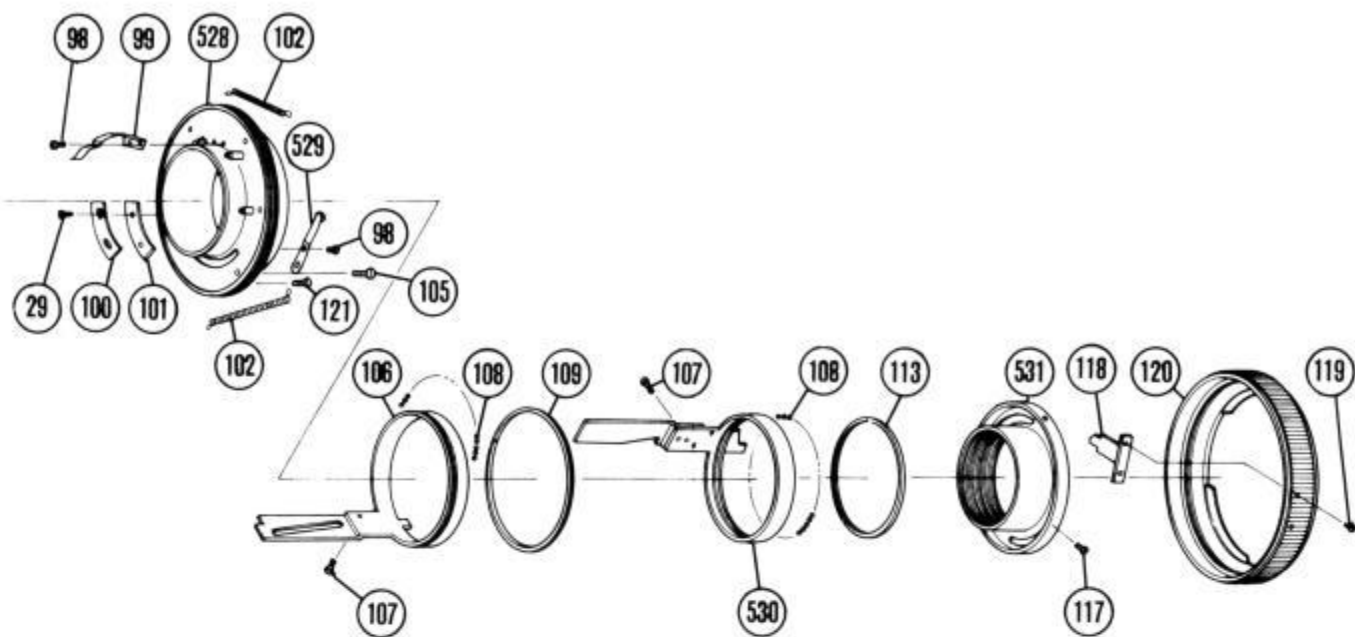
523 - ASSEMBLY, REAR MOUNT, MINOLTA-MD

Figure 12. Rear Mount Assembly, Minolta-MD Mount



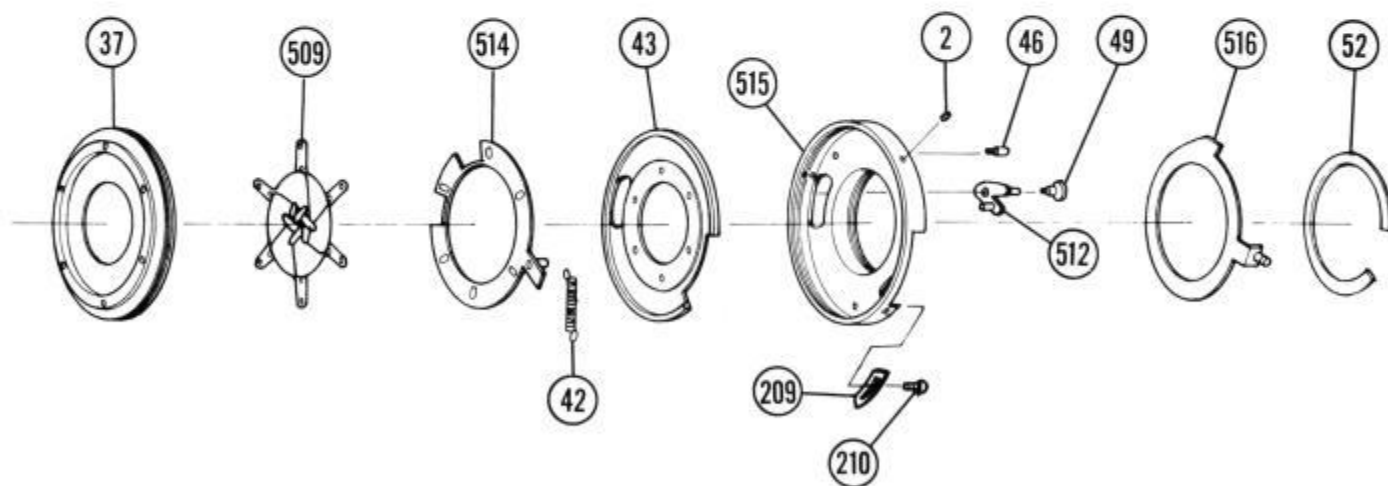
504 - ASSEMBLY, DIAPHRAGM HOUSING, MINOLTA-MD MOUNT

Figure 13. Diaphragm Housing Assembly, Minolta-MD Mount



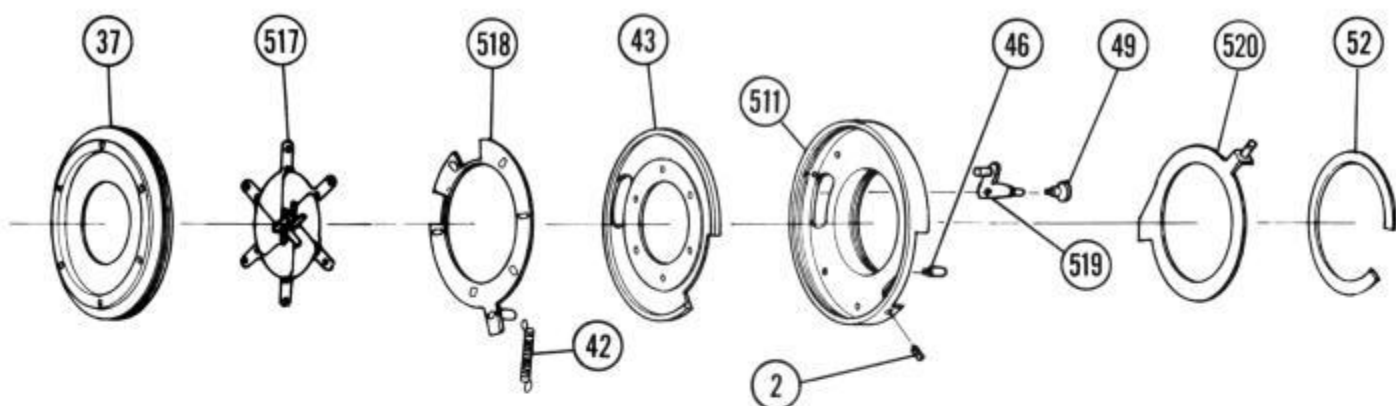
524 – ASSEMBLY, REAR MOUNT, CANON

Figure 14. Rear Mount Assembly, Canon Mount



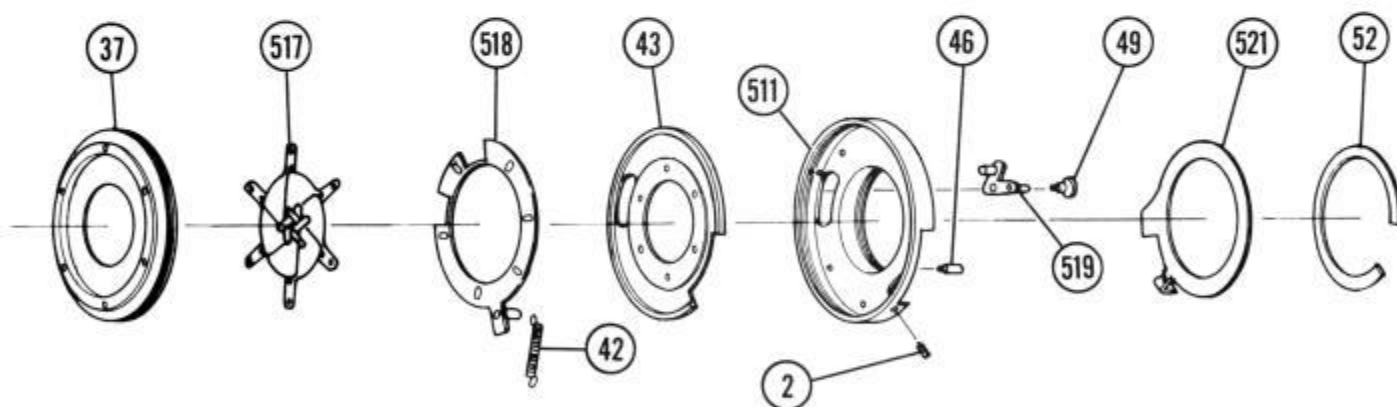
505 – ASSEMBLY, DIAPHRAGM HOUSING, CANON MOUNT

Figure 15. Diaphragm Housing Assembly, Canon Mount



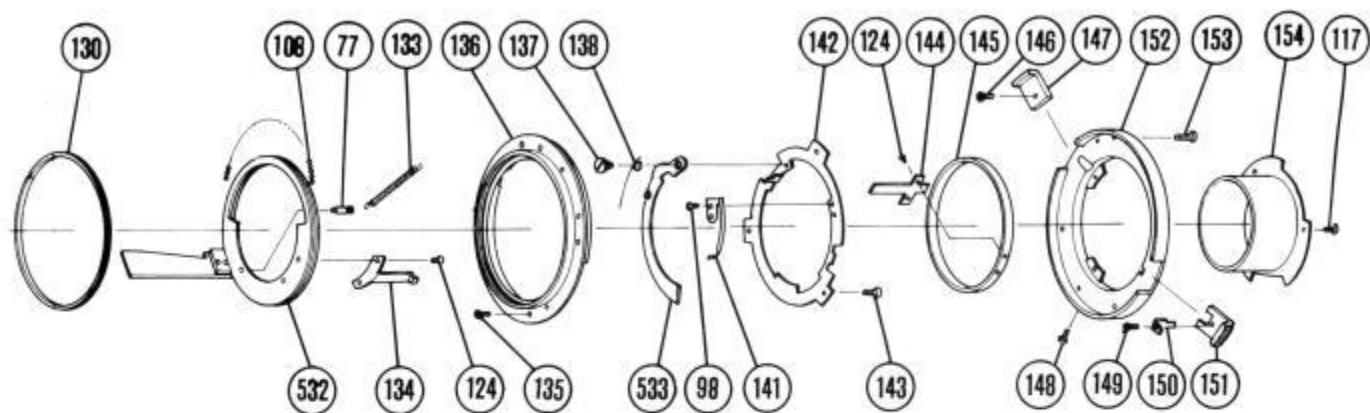
506 – ASSEMBLY, DIAPHRAGM HOUSING, OLYMPUS MOUNT

Figure 16. Diaphragm Housing Assembly, Olympus Mount



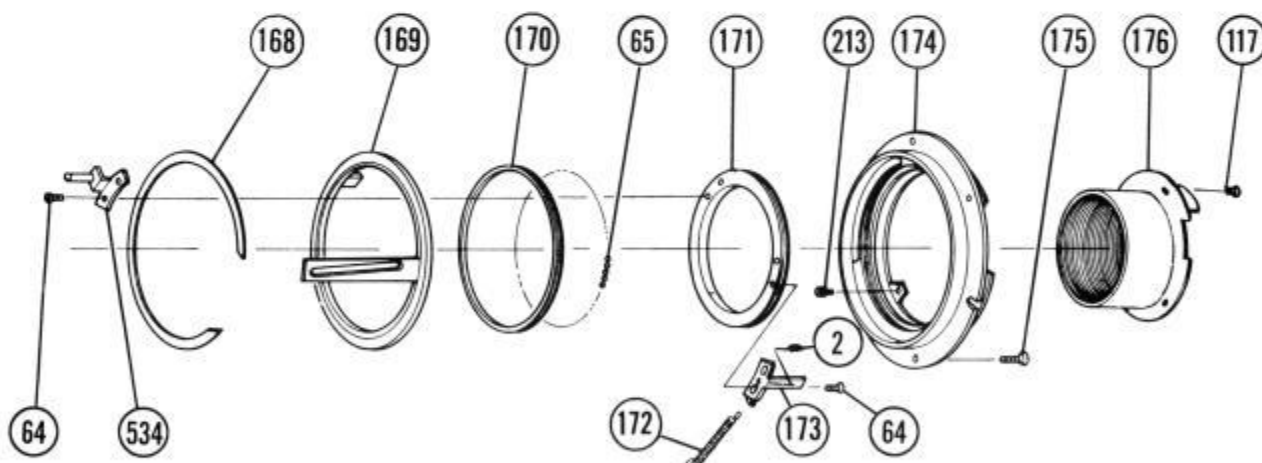
507 – ASSEMBLY, DIAPHRAGM HOUSING, PENTAX-P/K MOUNT

Figure 17. Diaphragm Housing Assembly, Pentax-P/K Mount



525 – ASSEMBLY, REAR MOUNT, OLYMPUS

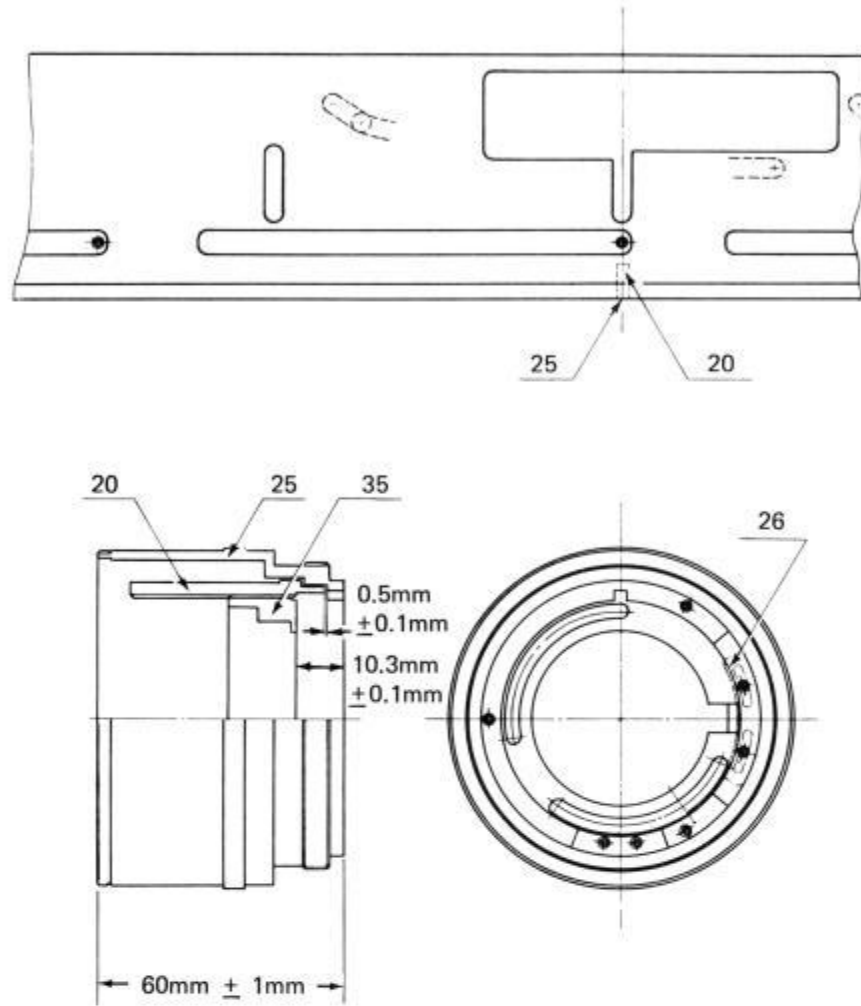
Figure 18. Rear Mount Assembly, Olympus Mount



526 – ASSEMBLY, REAR MOUNT, PENTAX-PK

Figure 19. Rear Mount Assembly, Pentax-P/K Mount





**SERVICE NOTE:**

Critical dimensions for setting Helicoid. Fine adjustment may be performed by sliding the Helicoid Guide (Ref. No. 26) to obtain 10.3mm measurement, with zoom setting at the wide angle (24mm) position.

Figure 20. Helicoid, Critical Dimensions

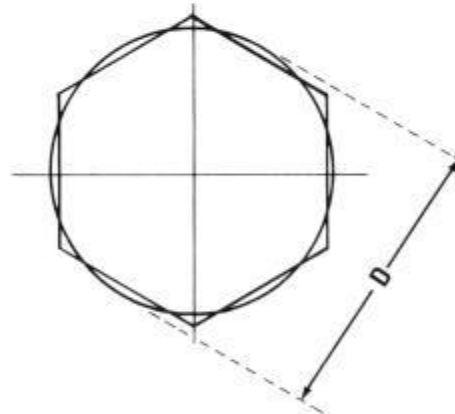
Aperture Diameter Tolerance Table (In Millimeters).

24mm Zoom Position

Nominal f Number	Lower Limit	Ideal Value	Upper Limit
3.8	12.2	13.6	14.7
5.6	8.4	9.6	10.6
8.0	5.8	6.7	7.6
11.0	4.0	4.7	5.6
16.0	2.8	3.3	4.0
22.0	2.0	2.4	2.8

48mm Zoom Position

Nominal f Number	Lower Limit	Ideal Value	Upper Limit
3.8	—	18.3	—
5.6	11.0	12.8	13.8
8.0	7.6	8.9	10.0
11.0	5.2	6.3	7.3
16.0	3.7	4.5	5.2
22.0	2.6	3.2	3.7



**SERVICE NOTE:**

The 24-48mm Series 1 Lens has a cammed diaphragm, which varies in size as the focal length changes. The above table indicates the correct tolerances for the diaphragm size at various nominal f numbers for the 24mm and the 48mm Zoom positions. The diameters listed are for the circle approximating best fit, as in the figure above.

**Figure 21. Tolerances, Diaphragm Size for 24mm and 48mm Zoom Positions**

PARTS LIST

VIVITAR SERIES 1 LENS  
24-48mm f/3.8 AUTOMATIC FIXED MOUNT ZOOM

REFERENCE	VIVITAR PART NUMBER	DESCRIPTION	PRODUCT CODE	QUANTITY				
				M	C	O	P	N
1	3101467	RING, NAME	K24032 770720	1	1	1	1	1
2	3512976	SETSCREW, 1.4 x 1.5	Z75905 B760520	13	13	13	14	13
3	3101468	LENS ELEMENT, 1ST	G00134 770203	1	1	1	1	1
4	3101469	SPACER, 1ST/2ND LENS ELEMENT	K24027 770720	1	1	1	1	1
5	3101470	LENS ELEMENT, 2ND	G00135 770203	1	1	1	1	1
6	3101471	SPACER, 2ND/3RD LENS ELEMENT	K24028 770720	1	1	1	1	1
7	3101472	LENS ELEMENT, 3RD	G00136 770203	1	1	1	1	1
10	3101475	RING, DECORATION	K24001 770720	1	1	1	1	1
11	3101476	RING, SCALE RING LOCKING	K24004 770720	1	1	1	1	1
12	3101477	RING, SCALE	K24005 770720	1	1	1	1	1
13	3101478	GRIP, RUBBER, SCALE RING	K24013 770720	1	1	1	1	1
14	NAS	HELICOID, FOCUSING	K24003 770720	1	1	1	1	1
15	3101480	ROLLER, FOCUSING HELICOID	K24922 770720	1	1	1	1	1
16	3101481	SHAFT, ROLLER, FOCUSING HELICOID	K24923 770720	1	1	1	1	1
17	NAS	HELICOID, MIDDLE	K24002 770720	1	1	1	1	1
18	3101483	ROLLER (A)	K24939 770720	3	3	3	3	3
19	3101484	SHAFT, ROLLER (A)	K24940 770720	3	3	3	3	3
20	NAS	RING, CAM	K24008 770720	1	1	1	1	1
21	3101486	ROLLER (B)	K24938 770720	2	2	2	2	2
22	3101487	SHAFT, ROLLER (B)	K24937 770720	2	2	2	2	2
23	3101488	ROLLER (C)	K24935 770720	2	2	2	2	2
24	3101489	SHAFT, ROLLER (C)	K24936 770720	2	2	2	2	2
25	NAS	HELICOID, OUTER	K24011 770912	1	1	1	1	1
26	3101491	GUIDE, HELICOID	K24710 770720	1	1	1	1	1
27	3101492	SCREW	K24969 B770720	2	2	2	2	2
28	3101493	GUIDE, HELICOID	K24732 770720	1				
29	3101494	SCREW	K24925 B770720	2	2			
30	3513859	SCREW, FLATHEAD, 1.4 x 2.5	Z75963 B760520	6	6	3	3	3
31	3101495	RING, ZOOM INDEX	K24006 770720	1	1	1	1	1
32	3101496	RING, CAM OPERATING	K24009 770720	1	1	1	1	1
33	3101497	RING, ZOOM SCALE	K24010 770720	1	1	1	1	1
34	3101498	GRIP, RUBBER, ZOOM RING	K24014 770720	1	1	1	1	1
35	NAS	HELICOID, INNER	K24007 771021	1	1	1	1	1
36	3101500	SCREW	K24941 770720	3	3	3	3	3
37	3101501	RING, BLADE	K24017 770720	1	1	1	1	1
42	3101504	SPRING, IRIS RETURN	K24928 770720	1	1	1	1	1
43	NAS	RING, BLADE HOUSING	K24743 770720	1	1	1	1	1
46	3101505	SPRING POST, THREADED	K24924 770720	1	1	1	1	1
49	NAS	PIVOT POST	K24934 770720	1	1	1	1	1
52	3101506	RING, RETAINING	K24712 770720	1	1	1	1	1
60	3101507	RING, ZOOM INDEX M/MD	K24025 MB770720	1				
61	3101508	FRAME, MOUNT, MINOLTA	K24018 770720	1				
62	3512971	SCREW, PANHEAD, 1.7 x 4.0	W25923 B760817	3	3	3	1	3
63	3101509	CAM, IRIS COMPENSATING, M/MD	K24733 770720	1				
64	3512990	SCREW, PANHEAD, 1.4 x 2.5	Z75952 B760520	6			6	6
65	3512898	BALL, STEEL, 1.6mm	Z75919 760520	80	2	1	80	80
66	3512857	SPRING, DETENT	Z75964 760520	1	2	1	1	1
67	3101510	RING, APERTURE M/MD	K24019 MB770720	1				
68	3101511	SCREW, FLATHEAD, 1.4 x 4.0	K24926 B770720	3				

PARTS LIST

VIVITAR SERIES 1 LENS  
24-48mm f/3.8 AUTOMATIC FIXED MOUNT ZOOM

REFERENCE	VIVITAR PART NUMBER	DESCRIPTION	PRODUCT CODE		QUANTITY				
					M	C	O	P	N
69	3101512	RING, MOUNT M/MD	K24020	770720	1				
70	3101513	SHIM, FOCUS, REAR, 0.5mm	K24930	770720	A/R				
70	3101514	SHIM, FOCUS, REAR, 0.2mm	K24931	770720	A/R				
70	3101515	SHIM, FOCUS, REAR, 0.15mm	K24932	770720	A/R				
70	3101516	SHIM, FOCUS, REAR, 0.1mm	K24933	770720	A/R				
72	3101517	RING, RETAINER	K24021	770720	1				
73	3101518	RING, BALL RACE	K24022	770720	1				
74	NAS	LEVER, APERTURE TRANSFER	K24721	770720	1				
75	NAS	POST	K24821	770720		2	2		
76	3101519	LEVER, IRIS ACTUATING	K24722	770720	1				
77	3512835	SPRING POST	Z75914	760520	1	1		1	
78	3101520	SPRING POST	K24927	770720	1				
79	3101521	SPRING	K24929	770720	1				
80	3101522	MOUNT, REAR, MINOLTA MD	K24023	770720	1				
81	3513742	SCREW, FLATHEAD, 1.7 x 4.0 + (CH)	Z38922	W761025	5				
82	3101523	BAFFLE, REAR	K24024	770720	1				
83	3101524	RING, ZOOM INDEX, C/FD	K24025	CB770720		1			
84	3101525	FRAME, MOUNT C/FD	K24034	770720		1			
85	3101526	RING, APERTURE C/FD	K24035	CB771222		1			
86	3101527	PLATE, APERTURE CAM	K24725	770720		1			
87	3513725	SCREW, PANHEAD, 1.4 x 2.8	Z85910	770720		4			
88	3101528	LEVER, EE SHIFT	K24724	770720		1			
89	3101529	RING, INDEX C/FD	K24036	771222		1			
90	3512850	SPRING, EE SIGNAL PIN	Z75940	760520		1			
91	3101530	PIN, EE SIGNAL	K24820	770520		1			
92	3101531	SHIM, FOCUS, REAR, 0.5mm	K24953	771115		A/R			
92	3101532	SHIM, FOCUS, REAR, 0.2mm	V82913	770718		A/R			
92	3101533	SHIM, FOCUS, REAR, 0.15mm	V82914	770718		A/R			
92	3101534	SHIM, FOCUS, REAR, 0.1mm	V82915	770718		A/R			
98	3101536	SCREW, PANHEAD, 1.4 x 1.5	Z15918	W770606		4	2		
99	3101537	SPRING	K24728	770720		1			
100	3101538	PLATE, ADJUSTMENT	K24726	770720		1			
101	3101539	SHIM, ADJUSTMENT PLATE	K24727	770720		1			
102	3101540	SPRING, BREECH RING	K24952	770720		2			
105	3101541	SCREW, FLATHEAD, 1.7 x 7.0 + (B)	K24957	B770720		3			
106	3101542	RING, IRIS COMPENSATION CAM	K24040	771222		1			
107	3101543	SPRING POST	K24951	770720		2			
108	3512999	BALL, STEEL, 1.2mm	Z75941	760520		120	60		
109	3101544	RING, RETAINER, BALL	K24041	770720		1			
113	3101545	RING, RETAINER, BALL	K24042	770720		1			
117	3512974	SCREW, FLATHEAD, 1.4 x 2.0 (B)	Z75912	B760520		3	3	3	
118	3101546	PLATE, INTERLOCK	K24731	770720		1			
119	3513901	SCREW, FLATHEAD, 1.4 x 2.5 (CH)	Z75963	W760520		2			
120	3101547	RING, BREECH	K24043	770720		1			
121	3512825	SCREW, REAR COVER	Z75934	B760520		1			
122	3101548	RING, INDEX, O/OM	K24025	OB770720			1		
123	3101549	FRAME, MOUNT, O/OM	K24045	770720			1		
124	3512984	SCREW, PANHEAD, 1.4 x 1.8 (B)	Z75922	B760520			8		
125	3101550	CAM, IRIS COMPENSATING O/OM	K24742	770720			1		

PARTS LIST

VIVITAR SERIES 1 LENS  
24-48mm f/3.8 AUTOMATIC FIXED MOUNT ZOOM

REFERENCE	VIVITAR PART NUMBER	DESCRIPTION	PRODUCT CODE	QUANTITY				
				M	C	O	P	N
126	3101551	PLATE, LIMIT	K24736 770720					1
127	3101552	RING, APERTURE	K24046 OB770720					1
128	3101553	SHIM, FOCUS, REAR, 0.5mm	K24964 770720					A/R
128	3101554	SHIM, FOCUS, REAR, 0.2mm	K24965 770720					A/R
128	3101555	SHIM, FOCUS, REAR, 0.15mm	K24966 770720					A/R
128	3101556	SHIM, FOCUS, REAR, 0.1mm	K24967 770720					A/R
130	3101557	RING, RETAINER, BALL RACE	K24047 770720					1
133	3101558	SPRING, APERTURE COUPLING LEVER	K24961 770720					1
134	3101559	LEVER, APERTURE COUPLING	K24740 770720					1
135	3101560	SCREW, FLATHEAD, 1.4 x 5.0 +	K24963 W770720					3
136	3101561	RING, MOUNT COVER	K24049 770720					1
137	3101562	PIVOT POST	K24958 770720					1
138	3101563	SPRING	K24962 770720					1
141	3101564	SPRING	K24737 770720					1
142	3101565	CAM, AUTO/MANUAL	K24739 770720					1
143	3514089	SCREW, FLATHEAD, 1.4 x 2.0 (CH)	Z75912 W760520					3 2
144	3101566	LEVER, APERTURE COUPLING	K24741 770720					1
145	3101567	RING, APERTURE COUPLING LEVER	K24050 770720					1
146	3101568	SCREW, SPECIAL MANUAL BUTTON	K24960 770720					1
147	3101569	BUTTON, MANUAL, (METAL)	Z15808 780314					1
148	3512934	SCREW, STOP	K24979 780206					1
149	3101570	SCREW, LOCK PLATE ATTACHING	K24959 770720					1
150	3512931	PLATE, MOUNT LOCKING	Z75741 760520					1
151	3101571	BUTTON, LOCK (METAL)	Z15807 780314					1
152	3101572	MOUNT, REAR, OLYMPUS	K24051 770720					1
153	3101573	SCREW, FLATHEAD, 1.7 x 8.0 (CH)	K24968 W770720					3
154	3101574	BAFFLE, REAR	K24052 770720					1
155	3101575	RING, INDEX, P/K	K24025 PB770720					1
156	3101576	FRAME, MOUNT, P/K	K24057 770720					1
157	3514029	SCREW, PANHEAD, 1.7 x 2.0 (B)	K25917 B760817					1
158	3512989	SCREW, PANHEAD, 1.7 x 5.5 (B)	Z75947 B760520					2
159	3101577	LEVER, APERTURE LIMIT	K24747 770720					1
160	3101578	LEVER, APERTURE TRANSFER	K24748 770720					1
161	3101579	PIVOT POST	K24970 770720					1
162	3101580	PLATE, APERTURE SENSING	K24749 770720					1
163	3101581	RING, APERTURE	K24058 PB770720					1
164	3101582	SHIM, FOCUS, REAR, 0.5mm	K24973 770720					A/R
164	3101583	SHIM, FOCUS, REAR, 0.2mm	K24974 770720					A/R
164	3101584	SHIM, FOCUS, REAR, 0.15mm	K24975 770720					A/R
164	3101585	SHIM, FOCUS, REAR, 0.1mm	K24976 770720					A/R
168	3101586	RING, RETAINER, BALL RACE	K24753 770720					1
169	3101587	RING, IRIS COMPENSATING CAM	K24059 770720					1
170	3101588	RING, BALL RACE	K24062 770720					1
171	3101589	RING, APERTURE COUPLING LEVER	K24063 770720					1
172	3101590	SPRING	K24972 770720					1
173	3101591	LEVER, APERTURE TRANSFER	K24752 770720					1
174	3101592	MOUNT, REAR, PENTAX K	K24061 770720					1
175	3101593	SCREW, FLATHEAD, 1.7 x 4.0 (CH)	W25923 W760817					5
176	3101594	BAFFLE, REAR	K24060 770720					1

PARTS LIST

VIVITAR SERIES 1 LENS  
24-48mm f/3.8 AUTOMATIC FIXED MOUNT ZOOM

REFERENCE	VIVITAR PART NUMBER	DESCRIPTION	PRODUCT CODE	QUANTITY					
				M	C	O	P	N	
177	3101595	RING, INDEX, (N/AI)	K24025 FB770720						1
178	3101596	FRAME, MOUNT, (N/AI)	K24053 770720						1
179	3101597	CAM, IRIS COMPENSATING	K24745 770720						1
180	3101598	RING, APERTURE	K24055 FB770720						1
181	3518108	SCREW, COUPLING FORK	Z15917 770520						1
182	3518107	FORK, APERTURE COUPLING	Z75747 770520						1
184	3101599	SHIM, FOCUS, REAR, 0.5mm	V82712 770718						A/R
184	3101600	SHIM, FOCUS, REAR, 0.15mm	V82906 770718						A/R
184	3101601	SHIM, FOCUS, REAR, 0.2mm	V82907 770718						A/R
184	3101602	SHIM, FOCUS, REAR, 0.1mm	V82908 770718						A/R
186	3101603	RING, RETAINER, BALL RACE	V82015 770718						1
187	3101604	LEVER, APERTURE, OPERATING	K24746 770720						1
188	3101605	RING, BALL RACE	K24054 770720						1
191	3101606	SPRING, APERTURE COUPLING LEVER	V82910 770718						1
192	3101607	MOUNT, REAR, NIKON (N/AI)	V82017 770718						1
193	3512825	SCREW, REAR COVER, (CH)	Z75934 W760520						1
194	3101608	SCREW, FLATHEAD, 1.7 x 4.5 (CH)	V82909 W770718						5
195	3101609	BAFFLE, REAR	K24056 770720						1
198	3101612	HOUSING, 5TH/6TH ELEMENT	K24012 770720	1	1	1	1	1	1
199	3101613	SHIM, LENS CELL, 0.2mm	K24946 770720						
199	3101614	SHIM, LENS CELL, 0.25mm	K24947 770720						
199	3101615	SHIM, LENS CELL, 0.3mm	K24948 770720	1	1	1	1	1	1
199	3101616	SHIM, LENS CELL, 0.35mm	K24949 770720						
199	3101617	SHIM, LENS CELL, 0.4mm	K24950 770720						
200	3101618	HOUSING, REAR LENS GROUP	K24029 770720	1	1	1	1	1	1
201	3101619	LENS ELEMENT, 7TH	G00140 770203	1	1	1	1	1	1
202	3101620	LENS ELEMENT, 8TH	G00141 770203	1	1	1	1	1	1
203	3101621	RING, SPACER, 8TH LENS	K24016 770720	1	1	1	1	1	1
204	3101622	RING, HOUSING, 7TH/8TH LENS	K24030 770720	1	1	1	1	1	1
205	3101623	LENS ELEMENT, 9TH	G00142 770203	1	1	1	1	1	1
206	3101624	LENS ELEMENT, 10TH	G00143 770203	1	1	1	1	1	1
207	3101625	RING, RETAINER, 10TH LENS	K24031 770720	1	1	1	1	1	1
208	3101626	SPACER, FOCUS, FRONT, 0.25mm	K24942 770720	4	4	4	4	4	4
208	3101627	SPACER, FOCUS, FRONT, 0.3mm	K24943 770720						
208	3101628	SPACER, FOCUS, FRONT, 0.1mm	K24944 770720						
208	3101629	SPACER, FOCUS, FRONT, 0.15mm	K24945 770720						
209	3101630	PLATE, DIAPHRAGM ADJUSTMENT	K24713 770720		1				
210	3513782	SCREW, PANHEAD, 1.4 x 1.5 + (B)	Z15918 B770606		2				
211	3101631	LUG, MD	Z75748 771215	1					
212	3101632	SCREW, PANHEAD, 1.4 x 2.0 +	Z15921 771215	2					
213	3101633	SPRING POST	W25932 760817						2
221	3103207	PLATE, GUIDE	K24754 771222						1
	3871215	CAP, REAR, MINOLTA	Z85572 760615	1					
	3871190	CAP, REAR, CANON	Z85573 760615		1				
	3871248	CAP, REAR, OLYMPUS	Z85575 760615			1			
	3101634	CAP, REAR, PENTAX P/K	Z75585 770228					1	
	3871204	CAP, REAR, NIKON	Z85571 770615						1
	3101635	CAP, FRONT LENS	K24033 770720	1	1	1	1	1	1

## ASSEMBLY LIST

### VIVITAR SERIES 1 LENS 24-48mm f/3.8 AUTOMATIC FIXED MOUNT ZOOM

REFERENCE	VIVITAR PART NUMBER	DESCRIPTION	PRODUCT CODE	QUANTITY					
				M	C	O	P	N	
501	3101636	FIRST LENS GROUP ASSEMBLY	K24M98 N770720	1	1	1	1	1	1
502	3101637	4TH LENS ELEMENT, IN HOUSING	K24M97 N770720	1	1	1	1	1	1
504	3101639	DIAPHRAGM ASSEMBLY, M/MD	K24M95 N770720	1					
505	3101640	DIAPHRAGM ASSEMBLY, C/FD	K24C95 N770720		1				
506	3101641	DIAPHRAGM ASSEMBLY, O/OM	K24O95 N770720			1			
507	3101642	DIAPHRAGM ASSEMBLY, P/K	K24P95 N770720					1	
508	3101643	DIAPHRAGM ASSEMBLY, N/AI	K24F95 N770720						1
509	3101644	DIAPHRAGM BLADE ASSEMBLY	K24M90 N770720	6	6				
510	3101923	BLADE OPERATING RING ASSEMBLY (M)	K24M85 N770720	1					
511	3101645	DIAPHRAGM HOUSING ASSEMBLY	K24M80 N770720	1		1	1	1	1
512	3101646	IRIS OPERATING LEVER ASSEMBLY	K24M75 N770720	1	1				
513	3101647	IRIS COMPENSATING RING ASSEMBLY (M)	K24M70 N770720	1					
514	3101648	BLADE OPERATING RING ASSEMBLY (C)	K24C85 N770720		1				
515	3101649	DIAPHRAGM HOUSING ASSEMBLY	K24C80 N770720		1				
516	3101650	IRIS COMPENSATING RING ASSEMBLY	K24C70 N770720		1				
517	3101651	DIAPHRAGM BLADE ASSEMBLY	K24F90 N770720			6	6	6	
518	3101652	BLADE OPERATING RING ASSEMBLY	K24F85 N770720			1	1	1	
519	3101653	IRIS ACTUATING LEVER ASSEMBLY	K24F75 N770720			1	1	1	
520	3101654	IRIS COMPENSATING RING ASSEMBLY	K24O70 N770720			1			
521	3101655	IRIS COMPENSATING RING ASSEMBLY	K24P70 N770720					1	
522	3101656	IRIS COMPENSATING RING ASSEMBLY	K24F70 N770720						1
523	3101657	REAR MOUNT ASSEMBLY, (M)	K24M68 N770720	1					
524	3101658	REAR MOUNT ASSEMBLY, (C)	K24C68 N770720		1				
525	3101659	REAR MOUNT ASSEMBLY, (O)	K24O68 N770720				1		
526	3101660	REAR MOUNT ASSEMBLY, (P/K)	K24P68 N770720					1	
527	3101661	REAR MOUNT ASSEMBLY, (N/AI)	K24F68 N770720						1
528	3101662	REAR LENS FLANGE ASSEMBLY (C)	K24C65 N770720		1				
529	3101663	LOCKING SPRING ASSEMBLY (C)	K24C64 N770720		1				
530	3101664	APERTURE TRANSFER RING ASSEMBLY	K24C63 N770720		1				
531	3101665	REAR BAFFLE, ASSEMBLY	K24C62 N770720		1				
532	3101666	APERATURE LEVER ASSEMBLY (O)	K24O60 N770720				1		
533	3101667	MANUAL LEVER ASSEMBLY (O)	K24O59 N770720				1		
534	3101668	APERTURE LEVER ASSEMBLY P/K	K24P57 N770720					1	
535	3101669	APERTURE COUPLING LEVER ASSEMBLY	K24F56 N780202						1
536	3101670	5TH/6TH LENS ELEMENT	K24M55 N770720	1	1	1	1	1	1
537	3101671	REAR LENS GROUP ASSEMBLY	K24M54 N770720	1	1	1	1	1	1
538	3101672	5TH/6TH LENS ELEMENT IN HOUSING	K24M53 N770720	1	1	1	1	1	1
541	3103208	LENS TUBE KIT ASSEMBLY	K24M58 N780607	1	1	1	1	1	1



Prepared by:  
Technical Publications Department

Vivitar Corporation  
Corporate Offices:  
1630 Stewart Street, Santa Monica, Ca 90406

Printed in U.S.A.

Vivitar is an International Trademark of Vivitar Corporation