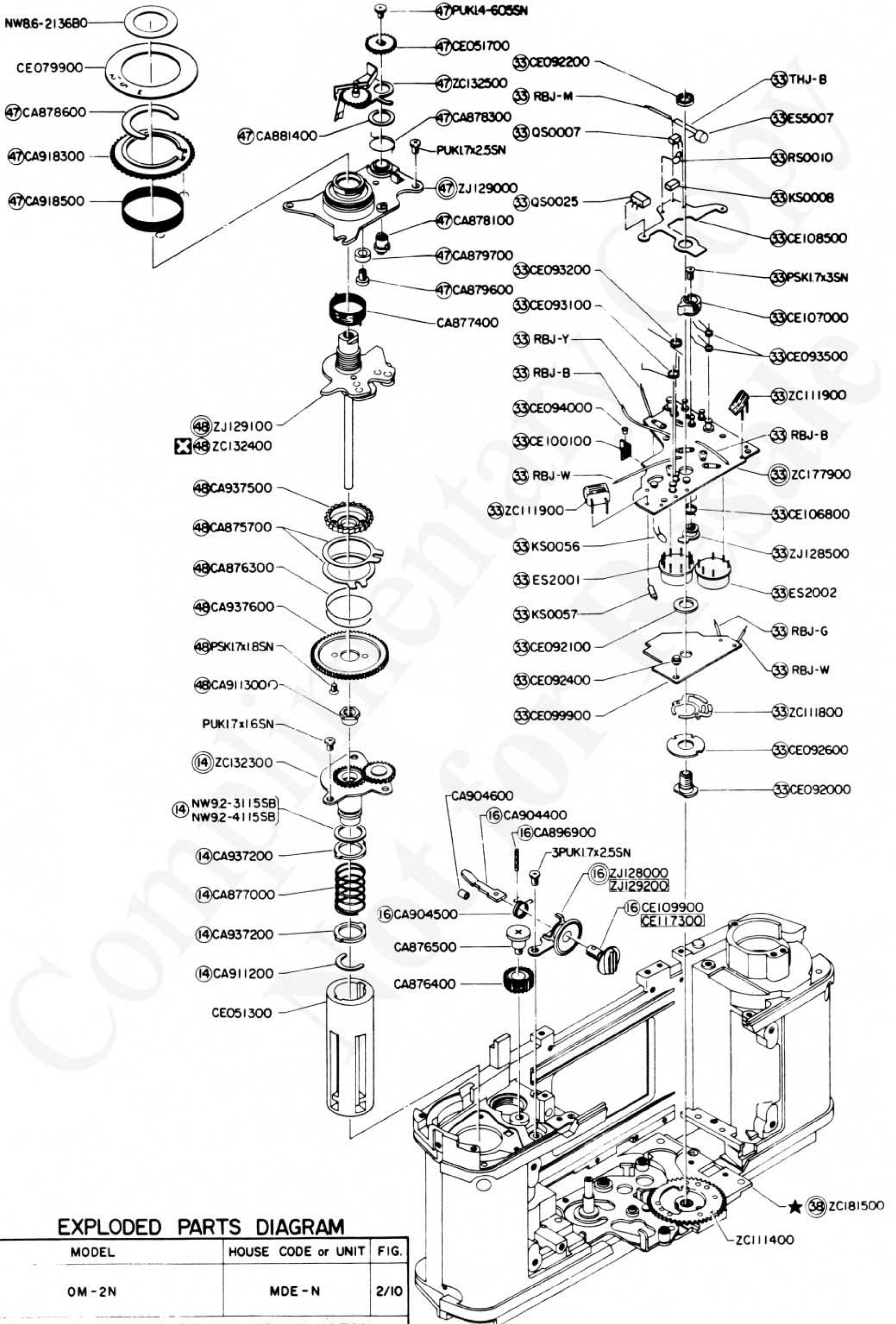


EXPLODED PARTS DIAGRAM

MODEL	HOUSE CODE or UNIT	FIG.
OM-2N	MDE-N	1/10

OLYMPUS OPTICAL CO., LTD. TOKYO, JAPAN

NOTE: WHEN ORDERING FOR SPARE PARTS, PLEASE CLARIFY A MODEL or HOUSE CODE, PARTS NUMBER AND QUANTITY.



EXPLODED PARTS DIAGRAM

MODEL	HOUSE CODE or UNIT	FIG.
OM-2N	MDE-N	2/10

OLYMPUS OPTICAL CO., LTD. TOKYO, JAPAN

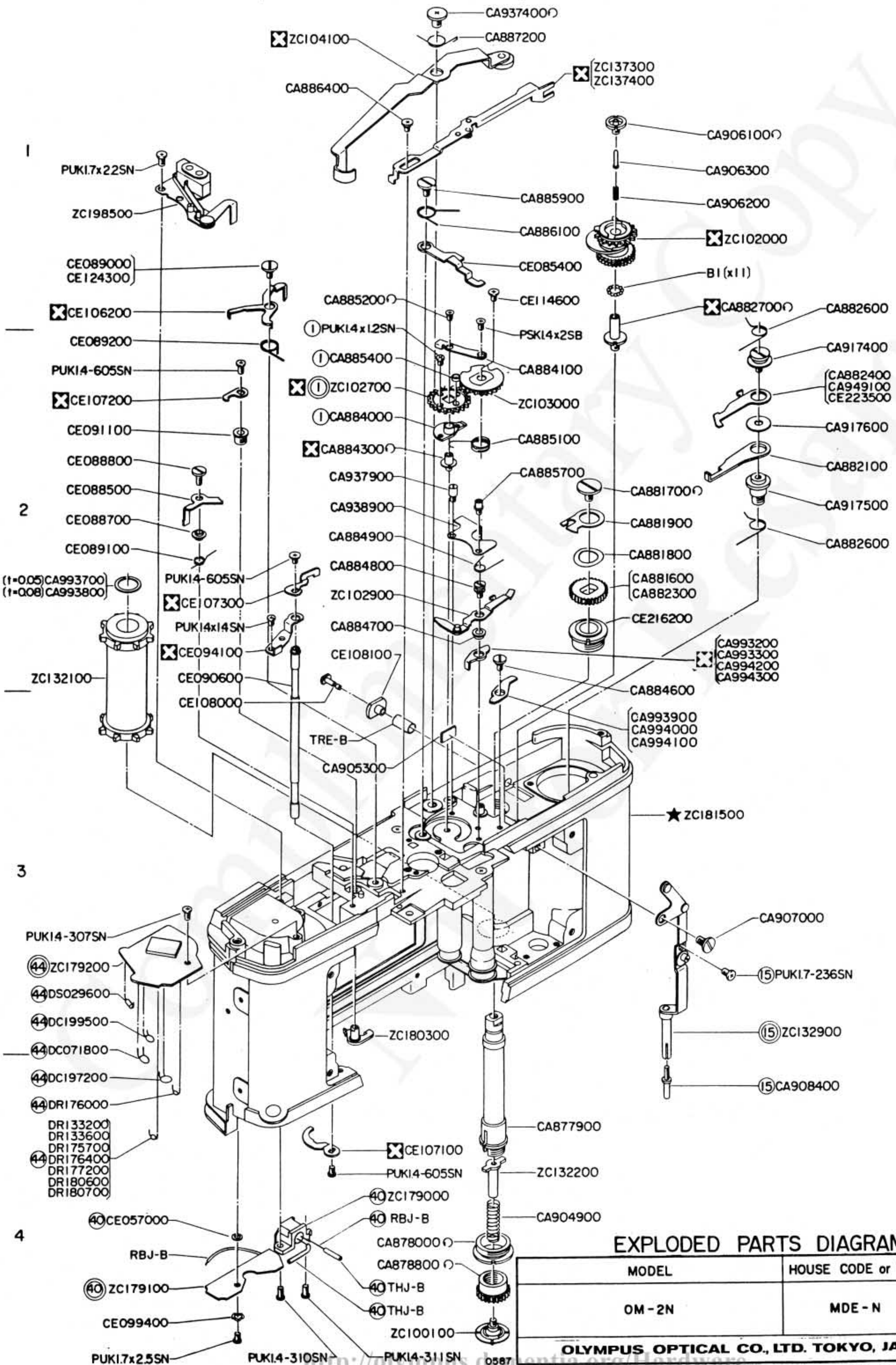
NOTE: WHEN ORDERING FOR SPARE PARTS, PLEASE CLARIFY A MODEL or HOUSE CODE, PARTS NUMBER AND QUANTITY.

A

B

C

D

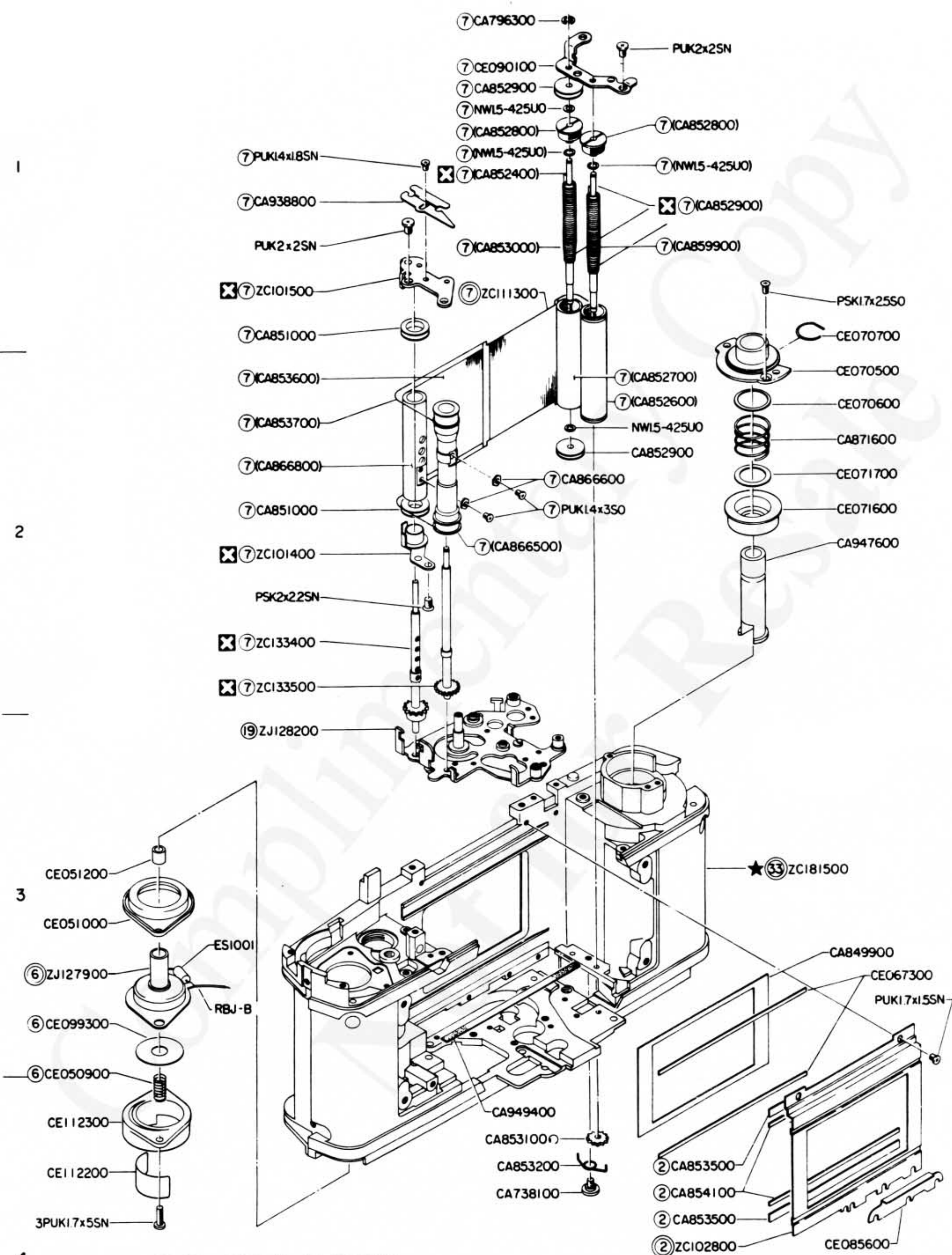


EXPLODED PARTS DIAGRAM

MODEL	HOUSE CODE or UNIT	FIG.
OM-2N	MDE-N	3/10

OLYMPUS OPTICAL CO., LTD. TOKYO, JAPAN

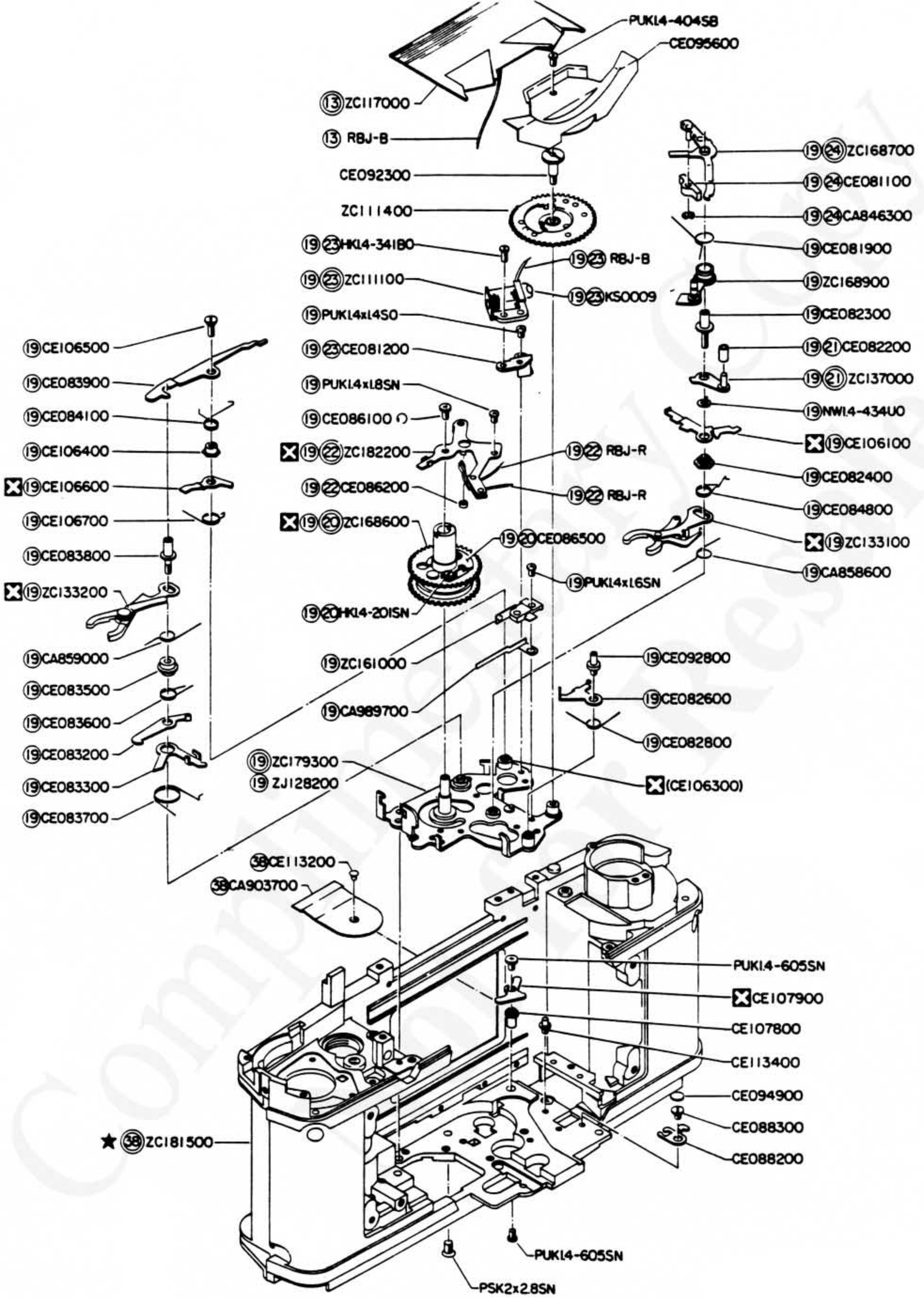
NOTE: WHEN ORDERING FOR SPARE PARTS, PLEASE CLARIFY A MODEL or HOUSE CODE, PARTS NUMBER AND QUANTITY.



EXPLODED PARTS DIAGRAM

MODEL	HOUSE CODE or UNIT	FIG.
OM-2N	MDE-N	4/10
OLYMPUS OPTICAL CO., LTD. TOKYO, JAPAN		

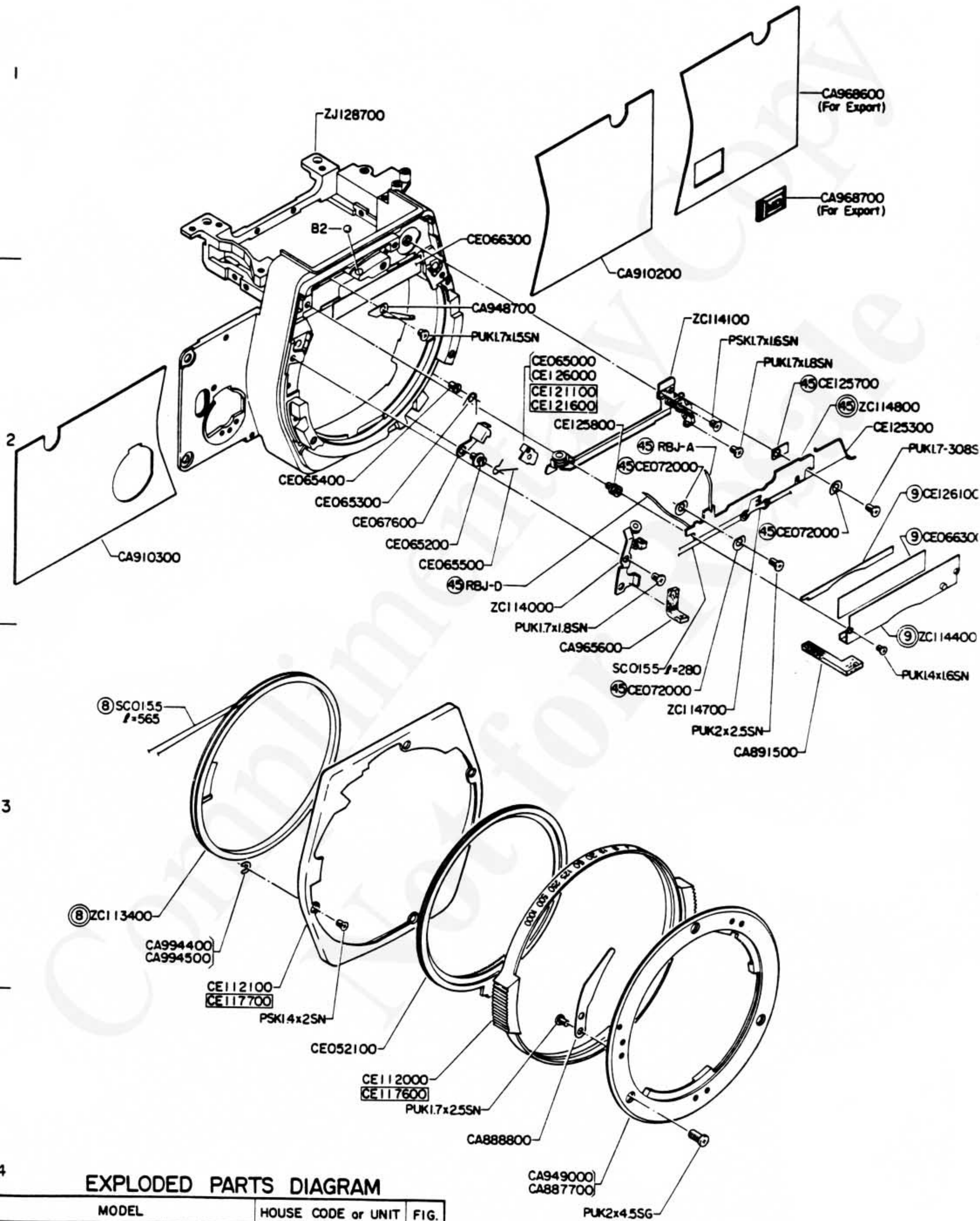
NOTE: WHEN ORDERING FOR SPARE PARTS, PLEASE CLARIFY A MODEL or HOUSE CODE, PARTS NUMBER AND QUANTITY.



EXPLODED PARTS DIAGRAM

MODEL	HOUSE CODE or UNIT	FIG.
OM-2N	MDE-N	5/10
OLYMPUS OPTICAL CO., LTD. TOKYO, JAPAN		

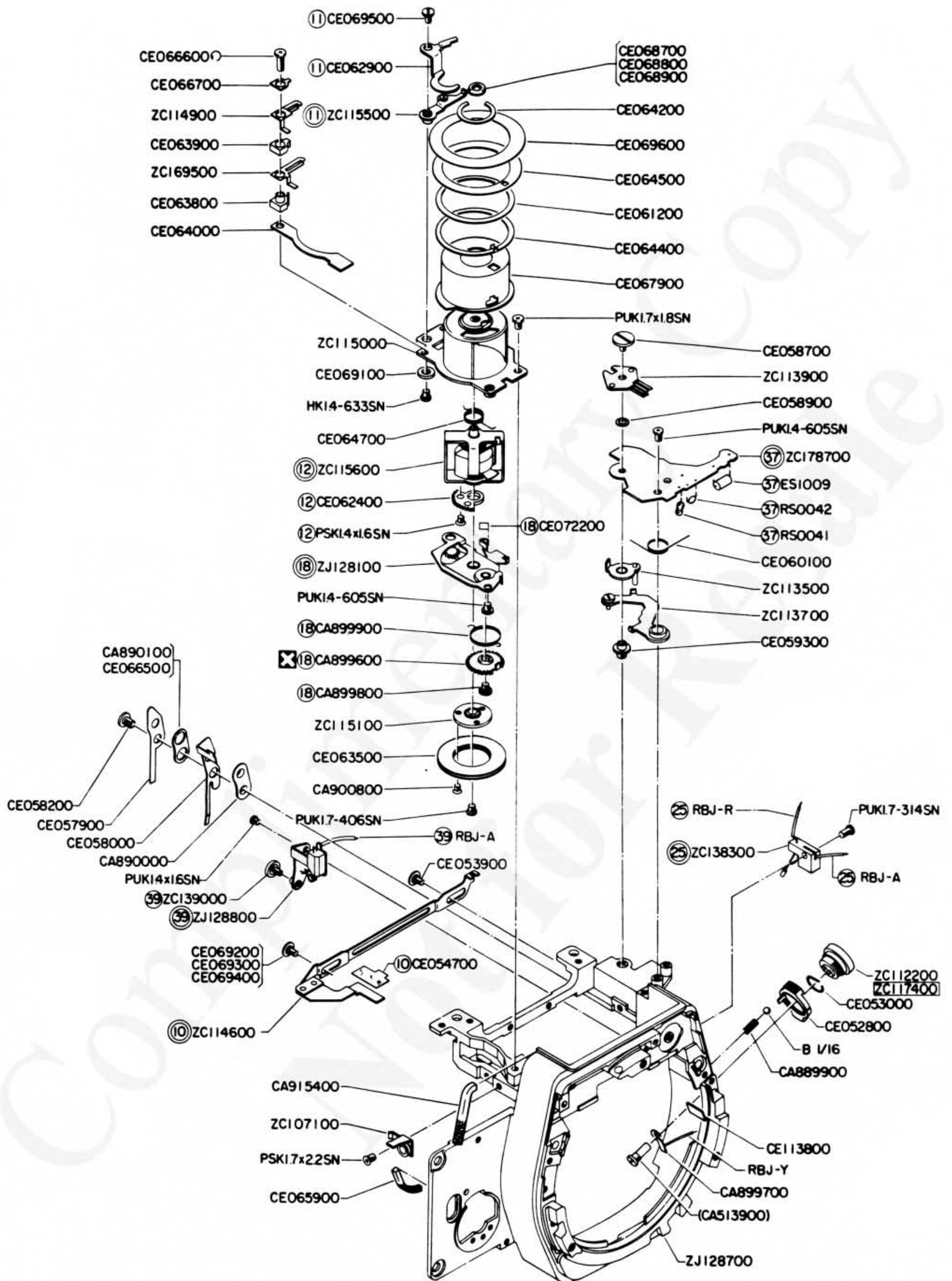
NOTE: WHEN ORDERING FOR SPARE PARTS, PLEASE CLARIFY A MODEL or HOUSE CODE, PARTS NUMBER AND QUANTITY.



EXPLODED PARTS DIAGRAM

MODEL	HOUSE CODE or UNIT	FIG.
OM-2N	MDE-N	6/10
OLYMPUS OPTICAL CO., LTD. TOKYO, JAPAN		

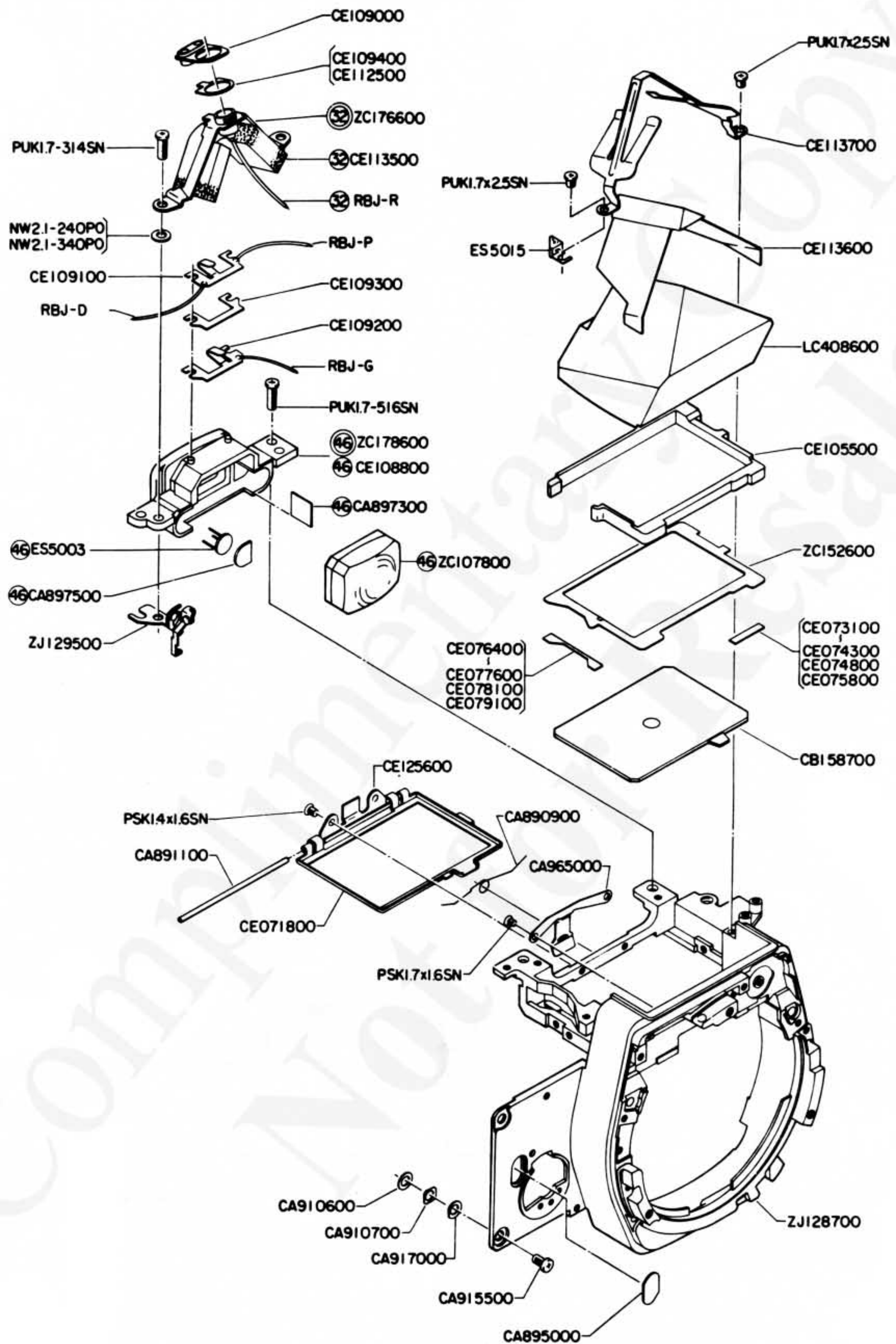
NOTE: WHEN ORDERING FOR SPARE PARTS, PLEASE CLARIFY A MODEL or HOUSE CODE, PARTS NUMBER AND QUANTITY.



EXPLODED PARTS DIAGRAM

MODEL	HOUSE CODE or UNIT	FIG.
OM-2N	MDE-N	7/10
OLYMPUS OPTICAL CO., LTD. TOKYO, JAPAN		

NOTE: WHEN ORDERING FOR SPARE PARTS, PLEASE CLARIFY A MODEL or HOUSE CODE, PARTS NUMBER AND QUANTITY



EXPLODED PARTS DIAGRAM

MODEL	HOUSE CODE or UNIT	FIG.
OM-2N	MDE-N	9/10
OLYMPUS OPTICAL CO., LTD. TOKYO, JAPAN		

NOTE : WHEN ORDERING FOR SPARE PARTS, PLEASE CLARIFY A MODEL or HOUSE CODE, PARTS NUMBER AND QUANTITY.

