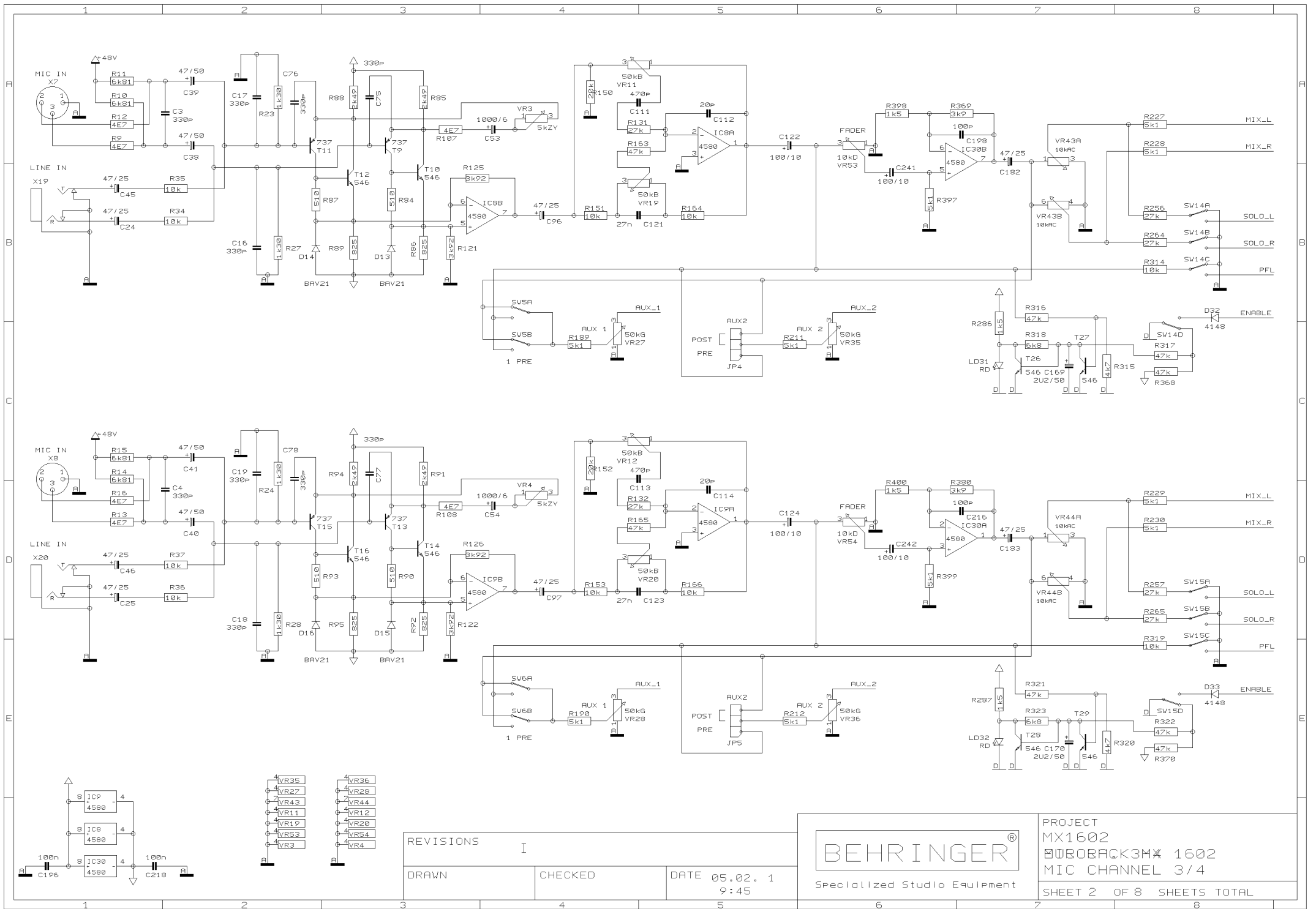


REVISIONS		I
DRAWN	CHECKED	DATE 05.02. 1 9:45



PROJECT
MX1602
EURORACK MX 1602
MIC CHANNEL 1/2

SHEET 1 OF 8 SHEETS TOTAL



REVISIONS

I

DRAWN

CHECKED

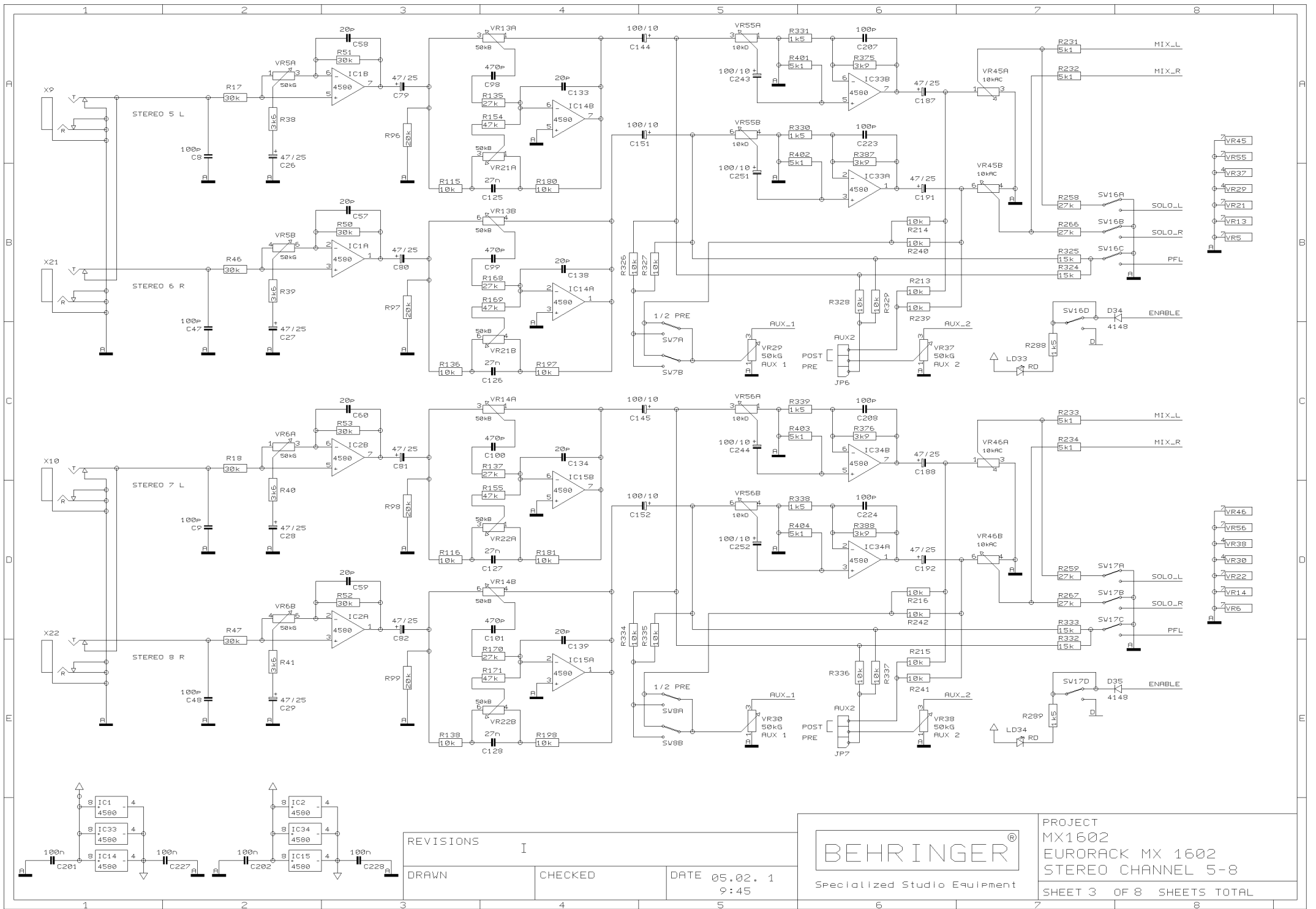
DATE 05.02. 1
9:45

BEHRINGER

Specialized Studio Equipment

PROJECT
MX1602
MIDBACK3M# 1602
MIC CHANNEL 3/4

SHEET 2 OF 8 SHEETS TOTAL

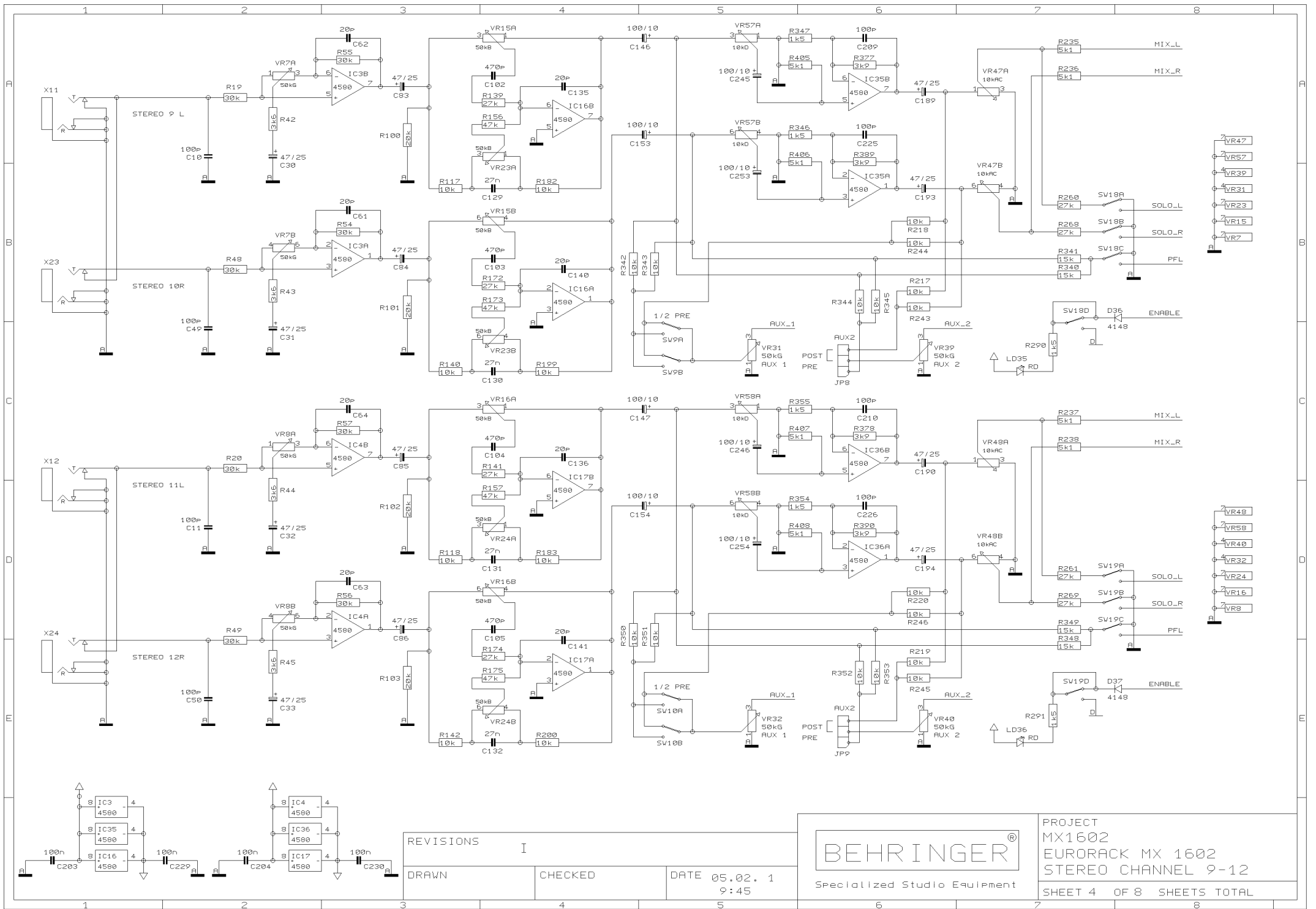


REVISIONS I

DRAWN _____ CHECKED _____ DATE 05.02.1 9:45



PROJECT MX1602
 EURORACK MX 1602
 STEREO CHANNEL 5-8
 SHEET 3 OF 8 SHEETS TOTAL

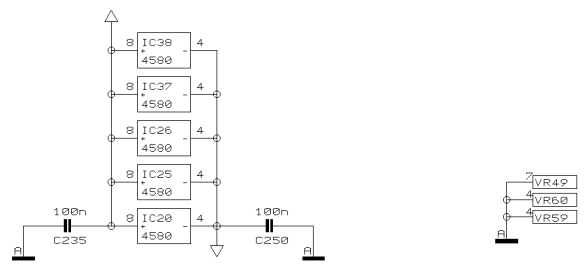
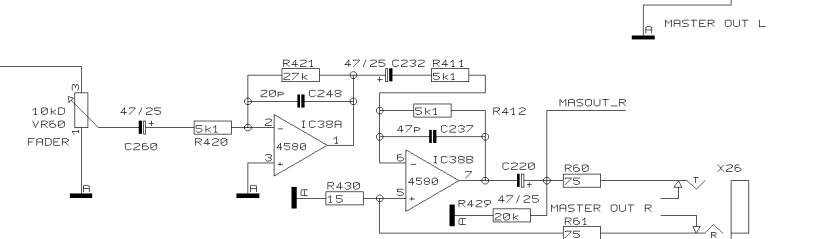
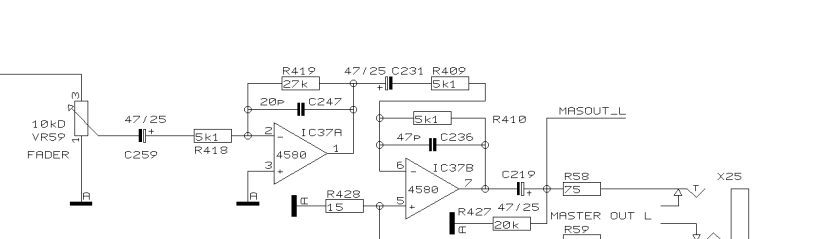
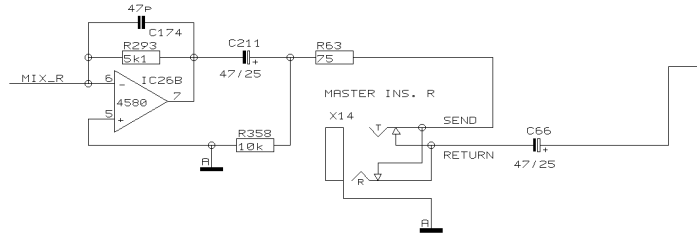
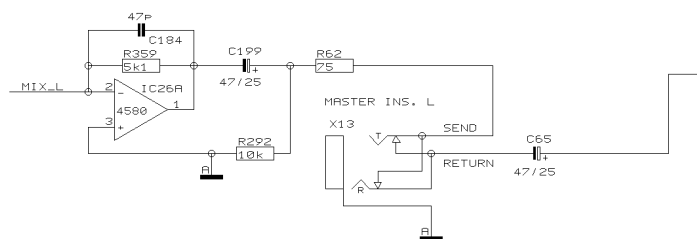
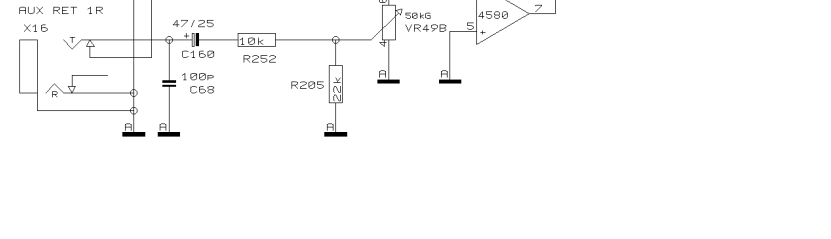
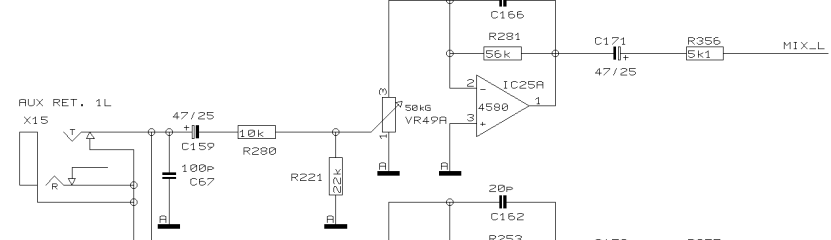
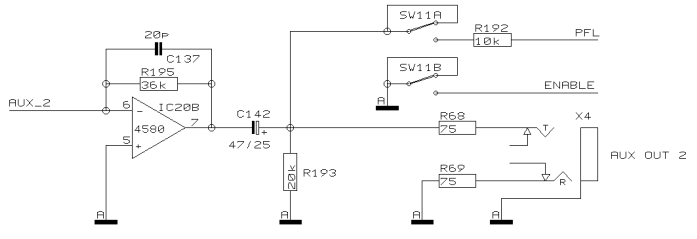
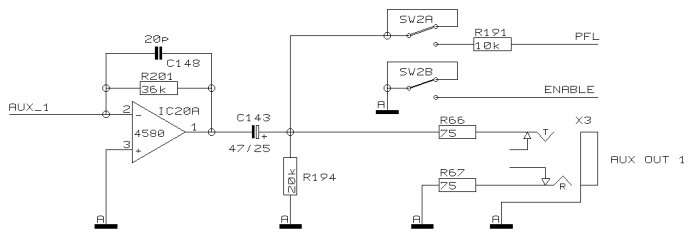


REVISIONS I

DRAWN _____ CHECKED _____ DATE 05.02.1 9:45



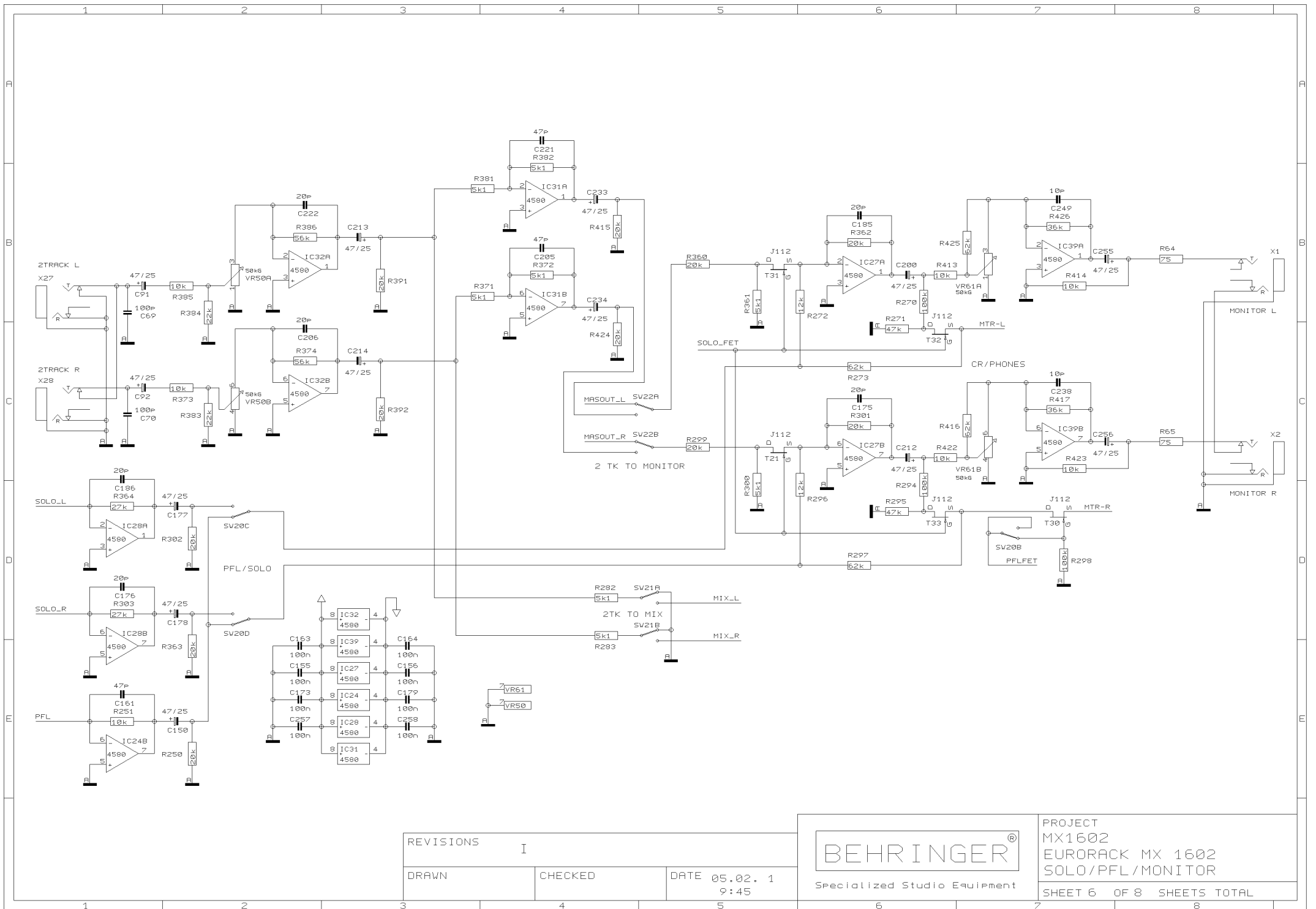
PROJECT
MX1602
EURORACK MX 1602
STEREO CHANNEL 9-12
SHEET 4 OF 8 SHEETS TOTAL



REVISIONS		I
DRAWN	CHECKED	DATE 05.02. 1 9:45



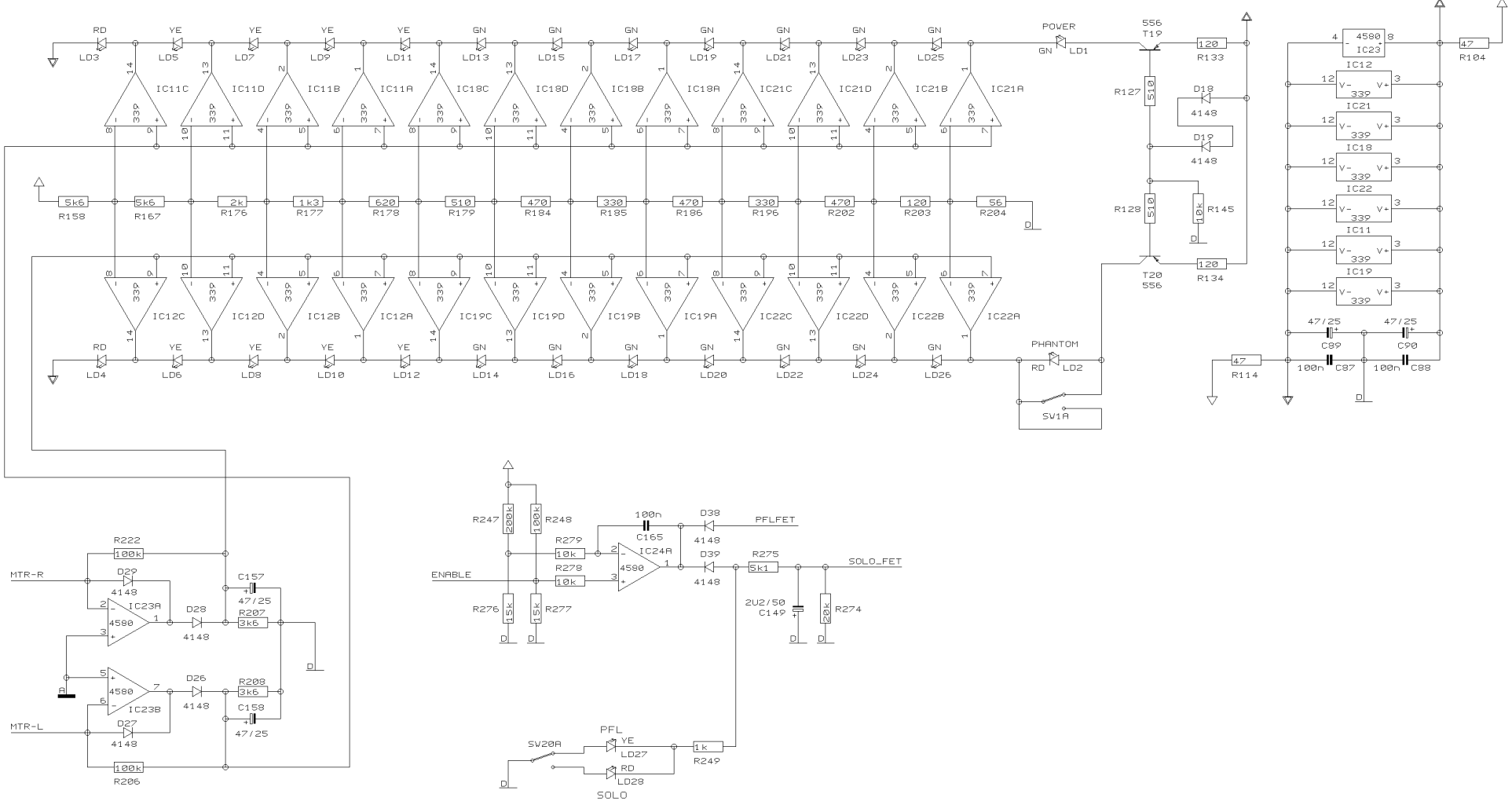
PROJECT
MX1602
EURORACK MX 1602
AUX SENDS/AUX RET/MAIN
SHEET 5 OF 8 SHEETS TOTAL



REVISIONS		I
DRAWN	CHECKED	DATE 05.02. 1 9:45



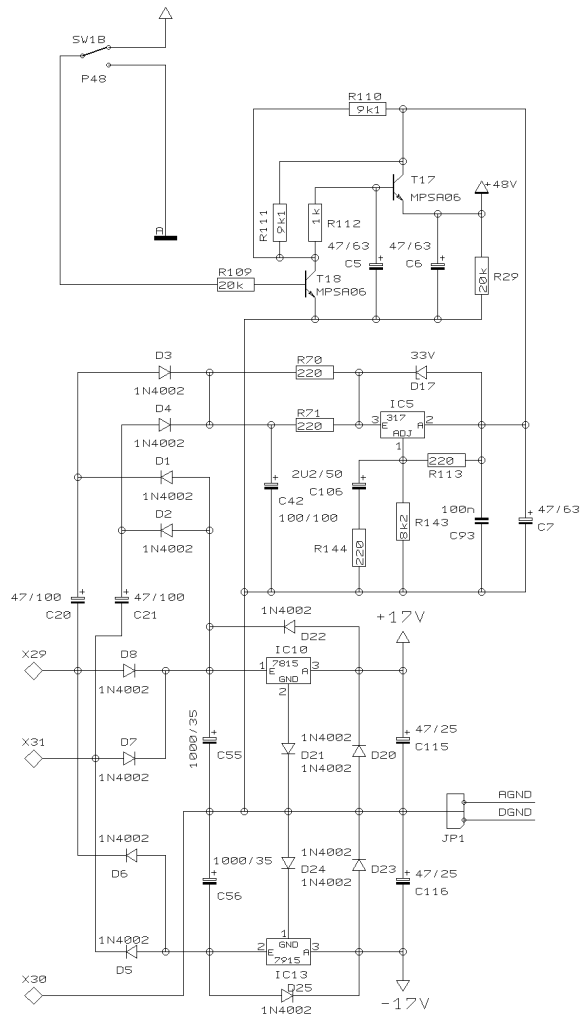
PROJECT
MX1602
EURORACK MX 1602
SOLO/PFL/MONITOR
SHEET 6 OF 8 SHEETS TOTAL



REVISIONS	I	
DRAWN	CHECKED	DATE 05.02. 1 9:45



PROJECT
MX1602
EURORACK MX 1602
LED BARS
SHEET 7 OF 8 SHEETS TOTAL



REVISIONS

I

DRAWN

CHECKED

DATE 05.02. 1
9:45

BEHRINGER®

Specialized Studio Equipment

PROJECT
MX1602
EURORACK MX 1602
POWER SUPPLY

SHEET 8 OF 8 SHEETS TOTAL