

REVISIONS

D

DRAWN

CHECKED

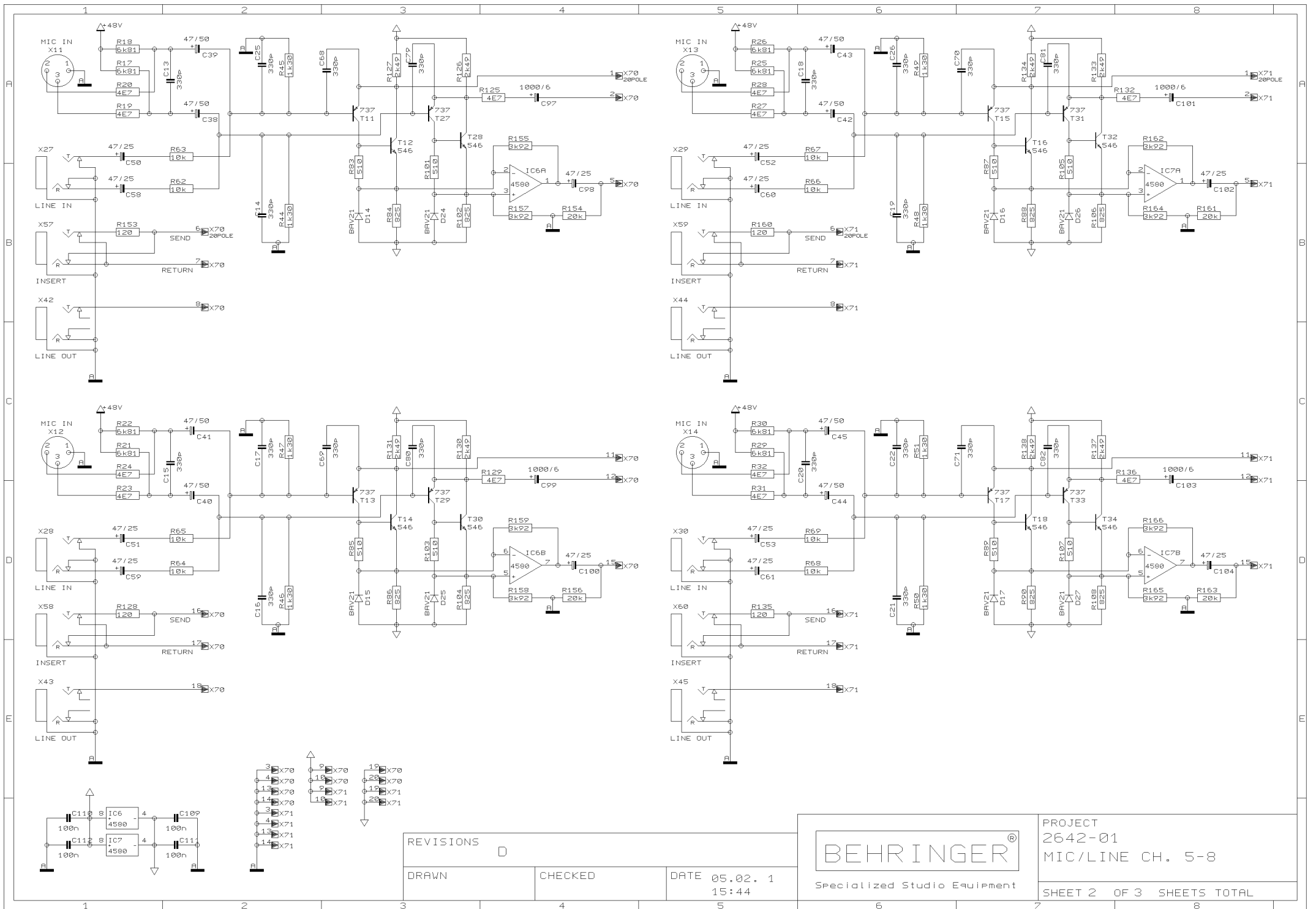
DATE 05.02. 1
15:44



Specialized Studio Equipment

PROJECT
2642-01
MIC/LINE CH. 1-4

SHEET 1 OF 3 SHEETS TOTAL



REVISIONS

D

DRAWN

CHECKED

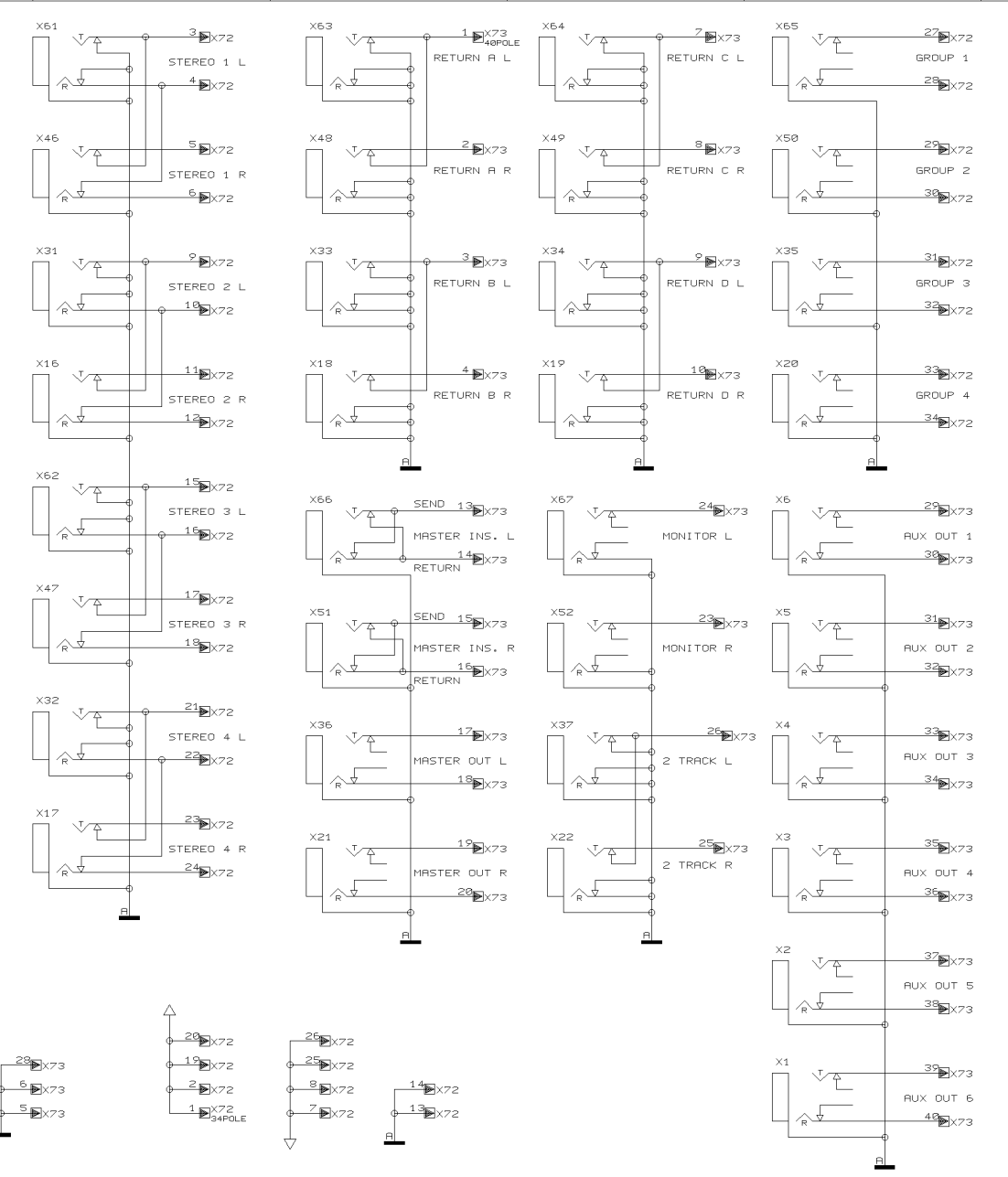
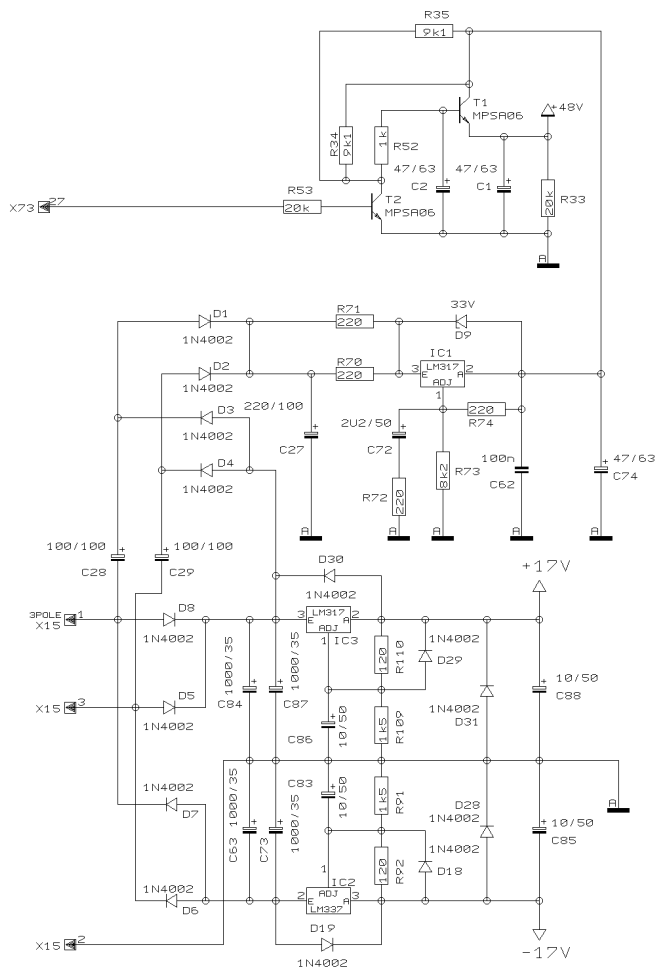
DATE 05.02. 1
15:44

BEHRINGER®

Specialized Studio Equipment

PROJECT
2642-01
MIC/LINE CH. 5-8

SHEET 2 OF 3 SHEETS TOTAL

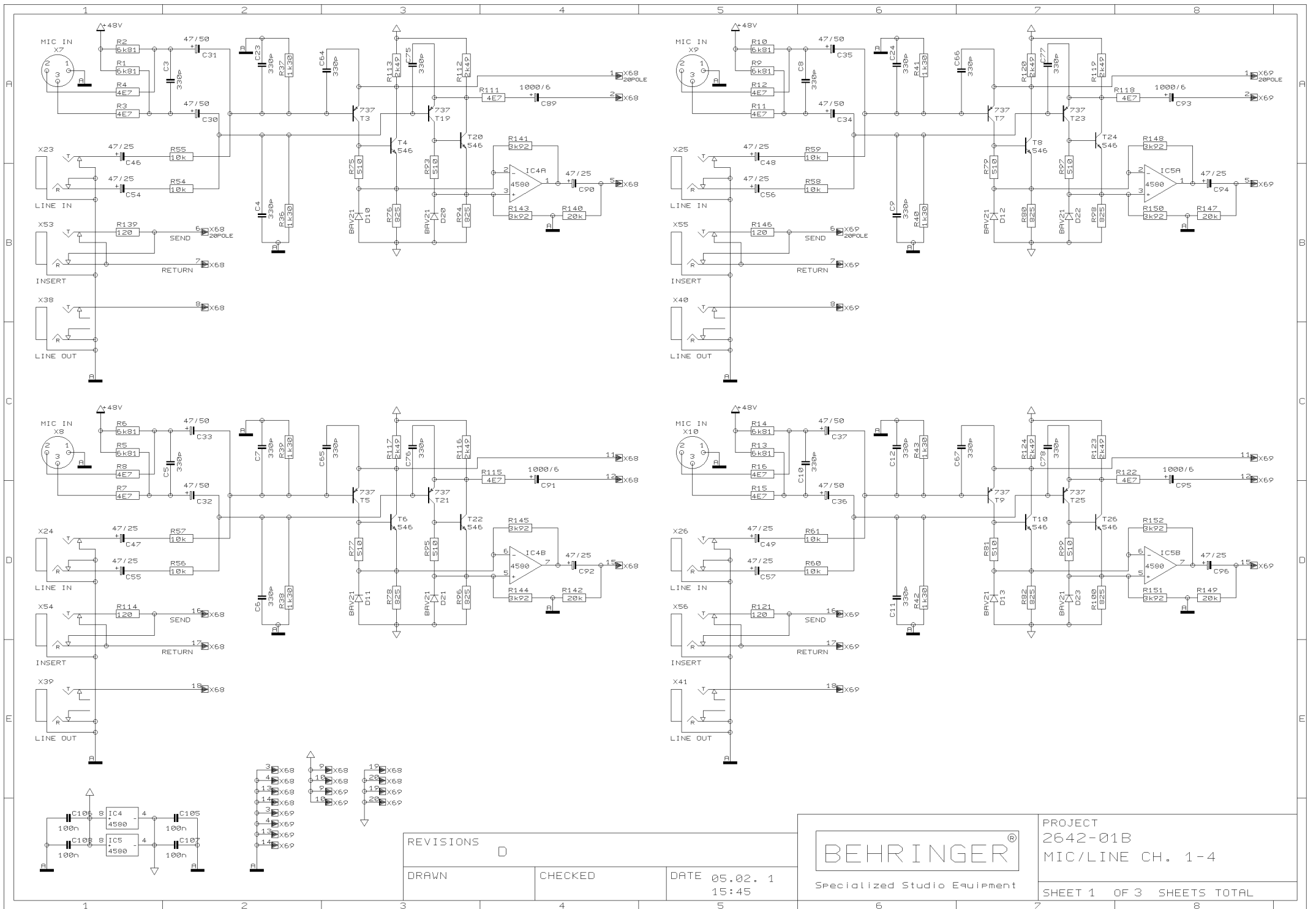


REVISIONS		
D		
DRAWN	CHECKED	DATE 05.02. 15:44



PROJECT
2642-01
POWER SUPPLY & I/O

SHEET 3 OF 3 SHEETS TOTAL



REVISIONS

DRAWN

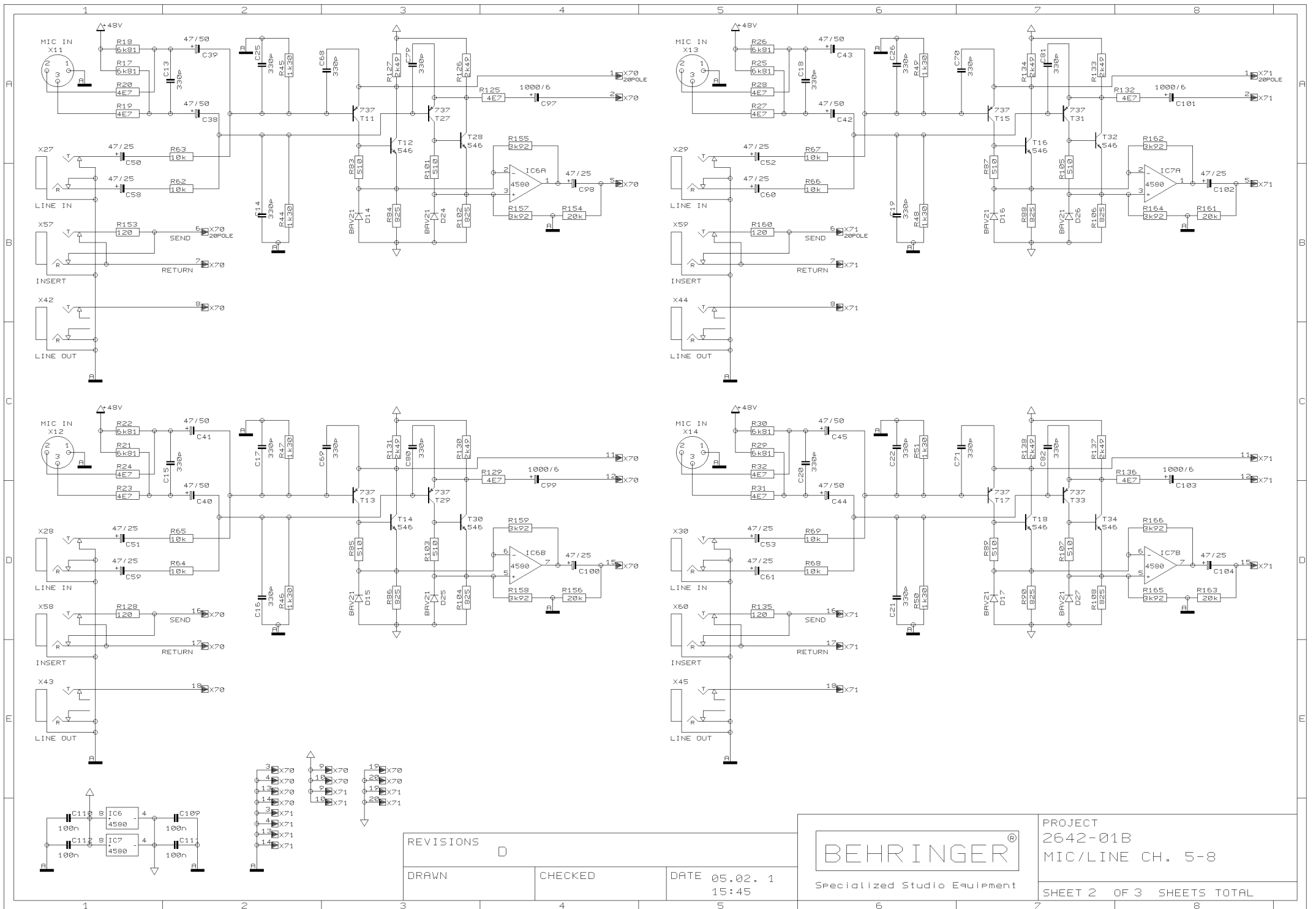
CHECKED

DATE 05.02. 1
15:45



PROJECT
2642-01B
MIC/LINE CH. 1-4

SHEET 1 OF 3 SHEETS TOTAL



REVISIONS

D

DRAWN

CHECKED

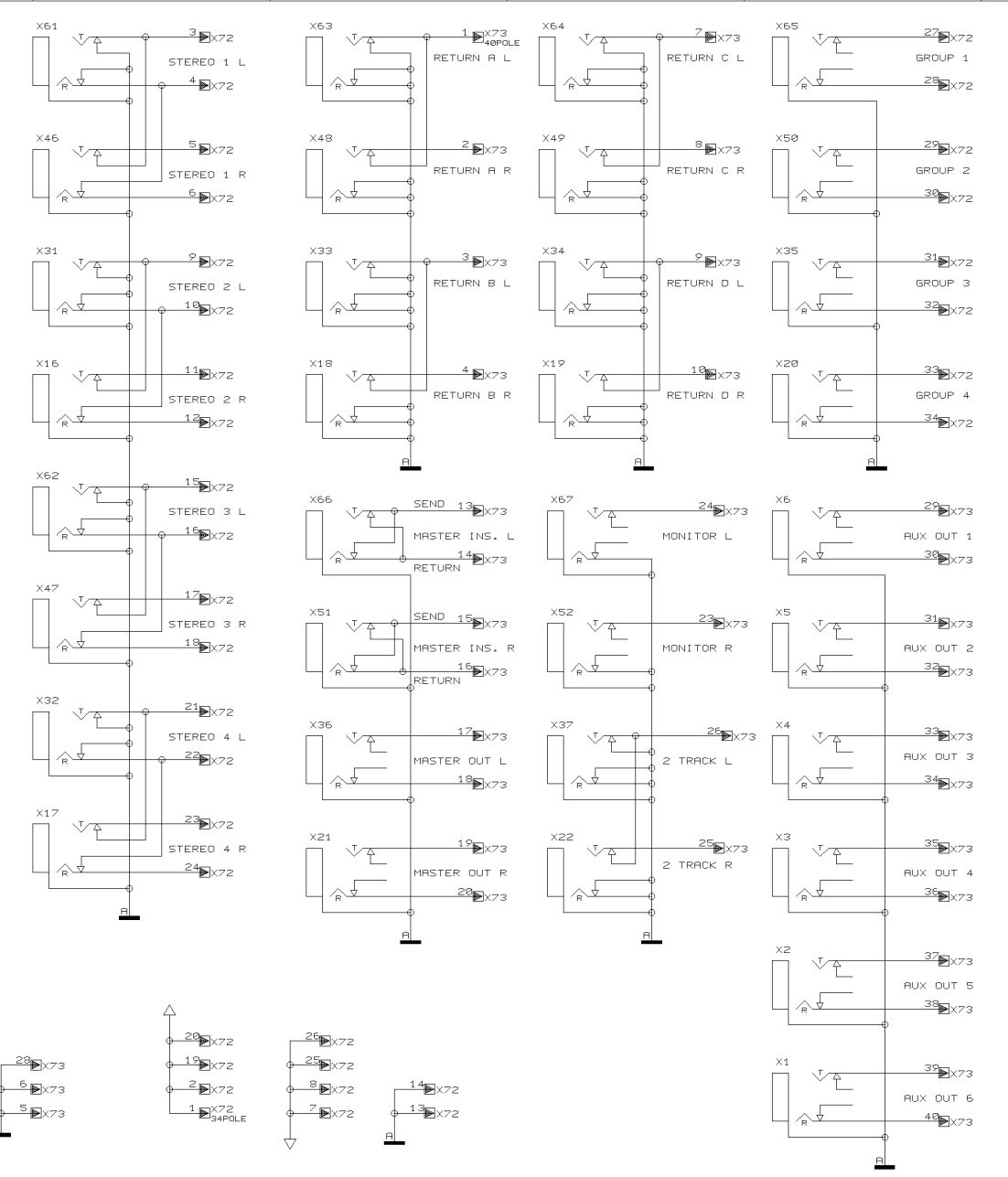
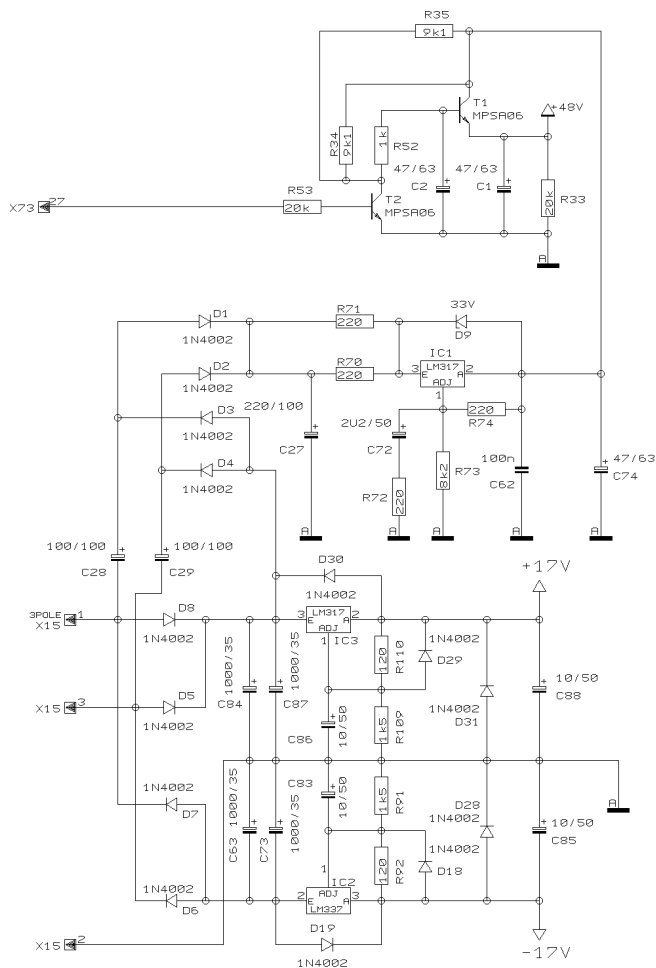
DATE 05.02. 1
15:45

BEHRINGER®

Specialized Studio Equipment

PROJECT
2642-01B
MIC/LINE CH. 5-8

SHEET 2 OF 3 SHEETS TOTAL

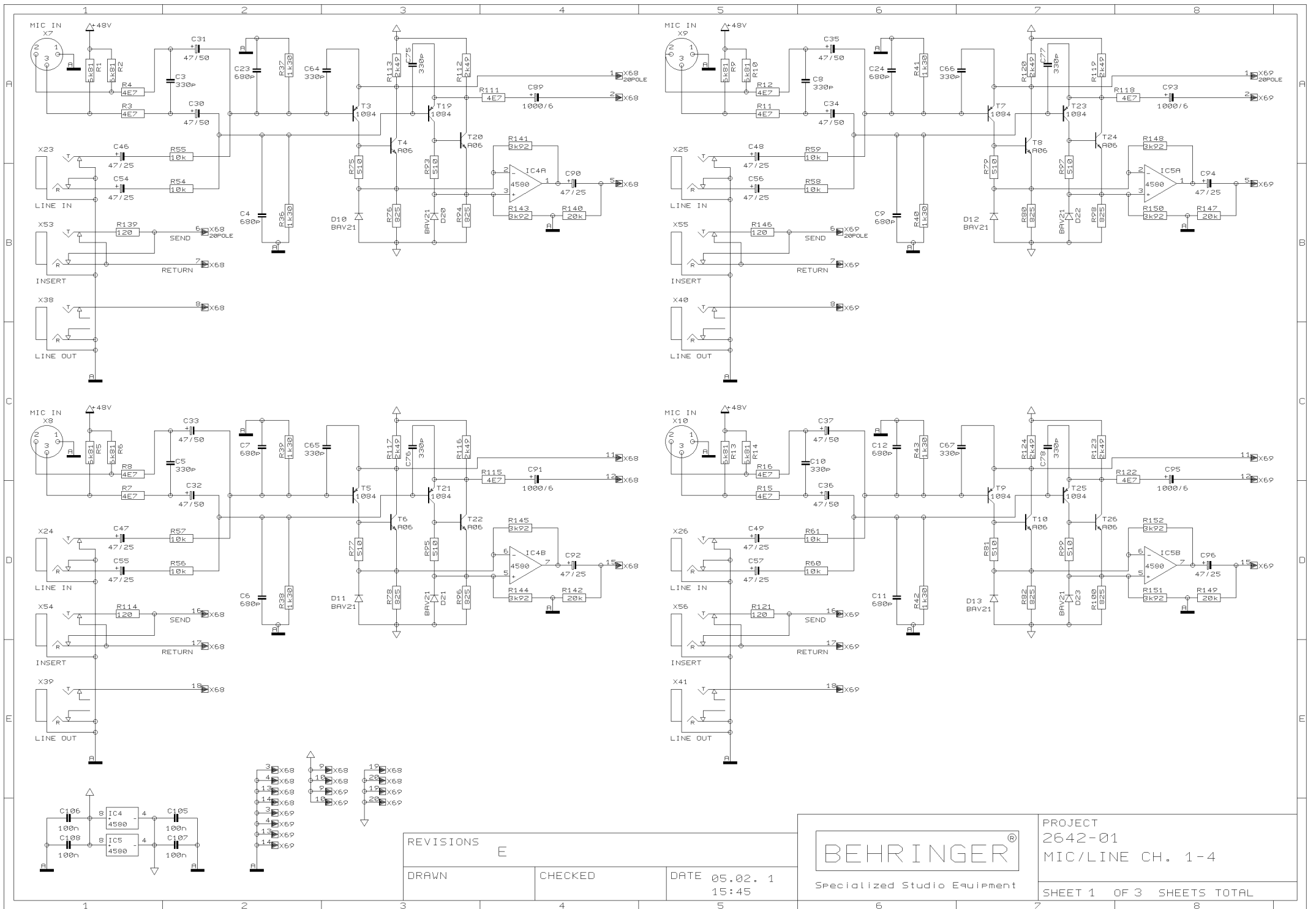


REVISIONS		
D		
DRAWN	CHECKED	DATE 05.02. 15:45



PROJECT
2642-01B
POWER SUPPLY & I/O

SHEET 3 OF 3 SHEETS TOTAL

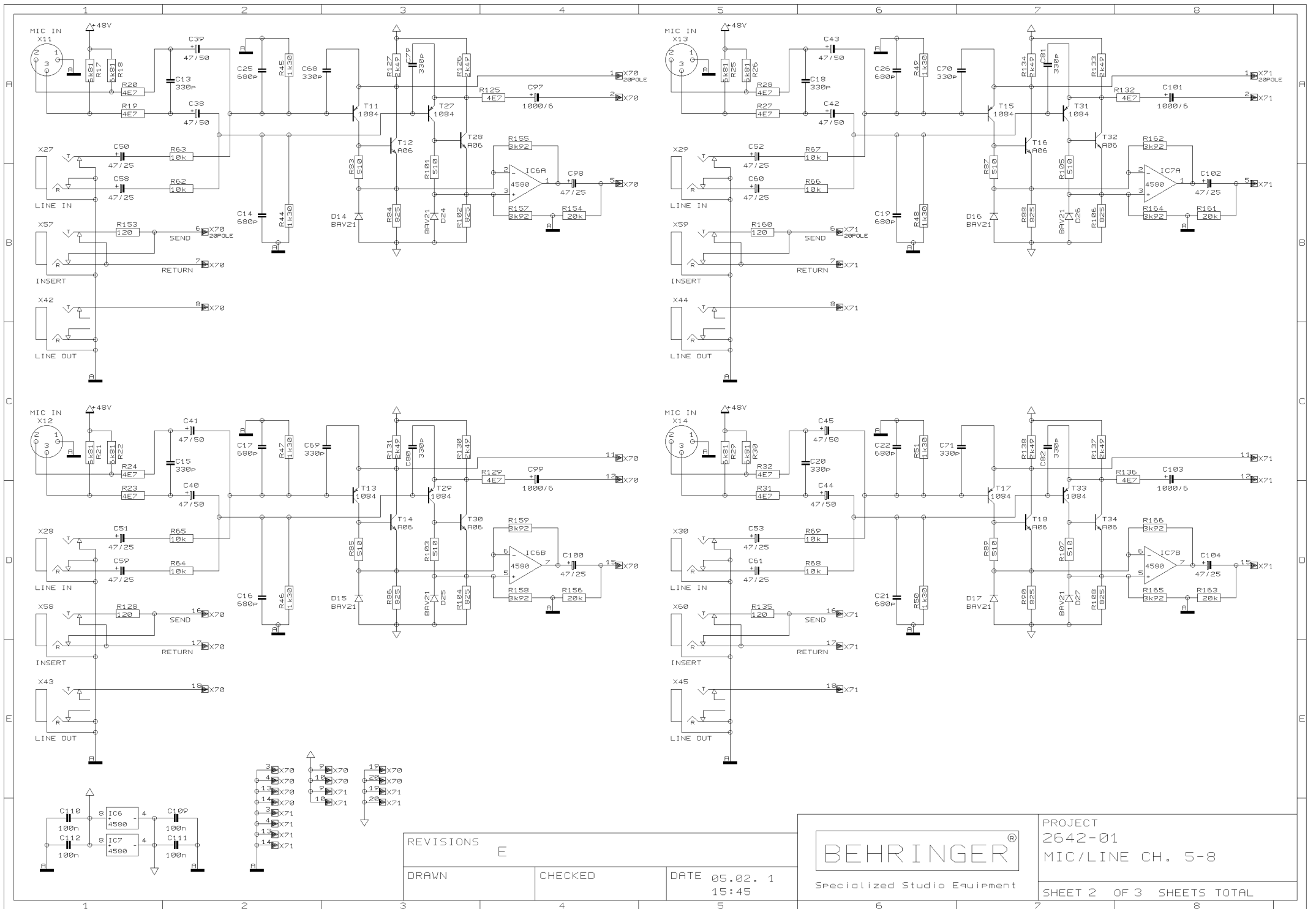


REVISIONS	E
DRAWN	CHECKED
DATE	05.02. 1 15:45



PROJECT
2642-01
MIC/LINE CH. 1-4

SHEET 1 OF 3 SHEETS TOTAL

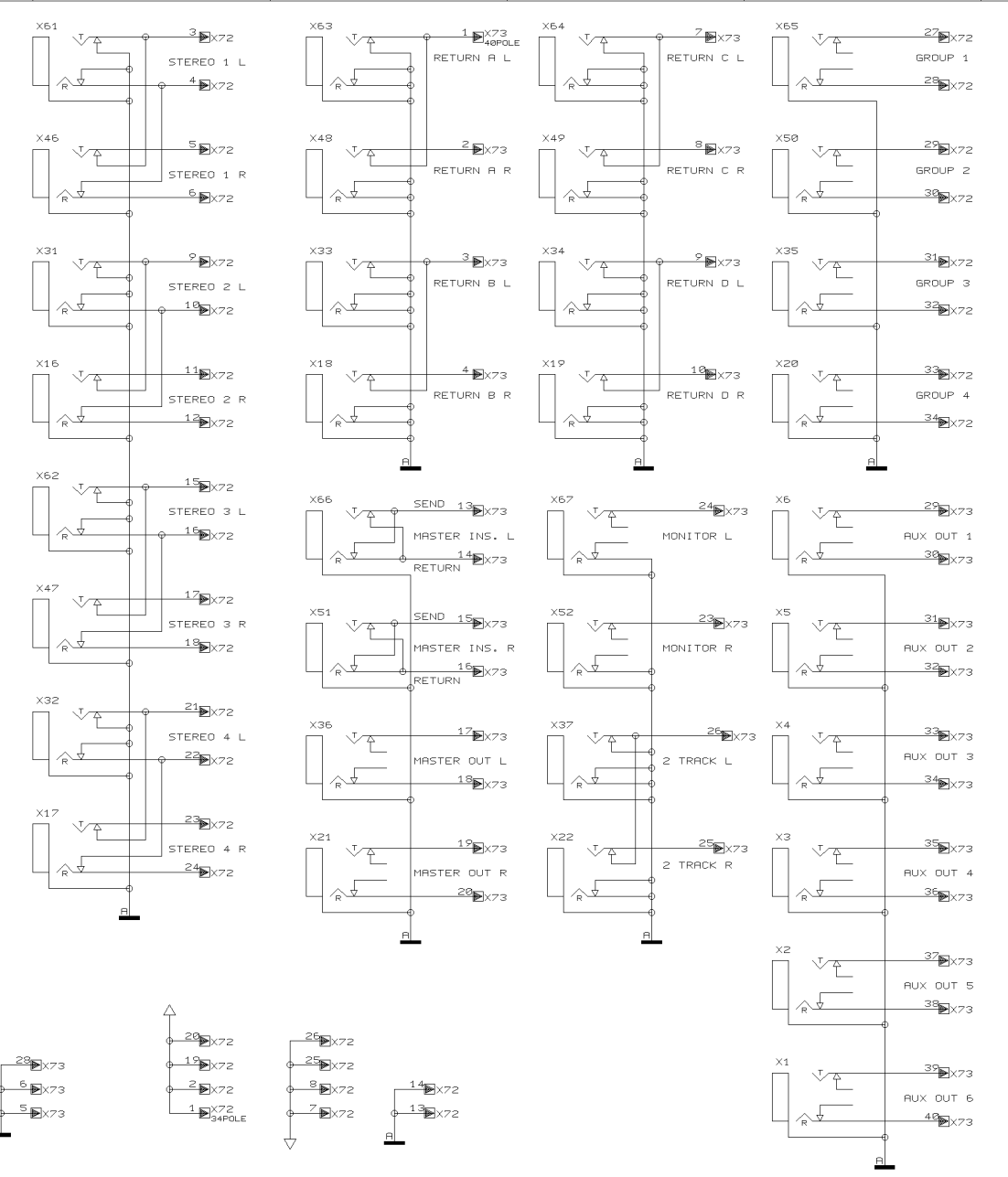
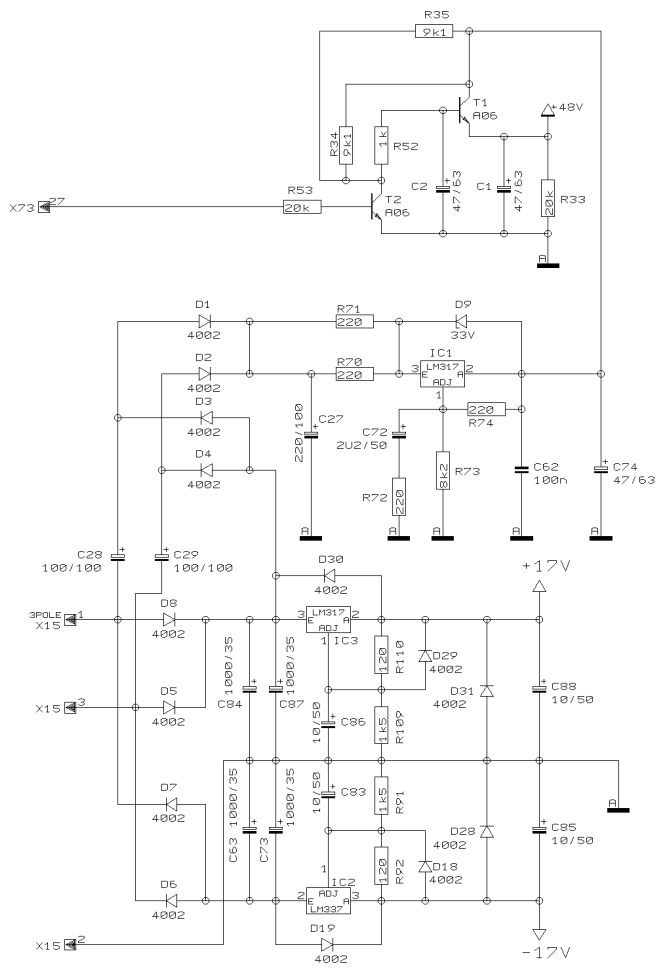


REVISIONS		E
DRAWN	CHECKED	DATE 05.02. 15:45



PROJECT
2642-01
MIC/LINE CH. 5-8

SHEET 2 OF 3 SHEETS TOTAL

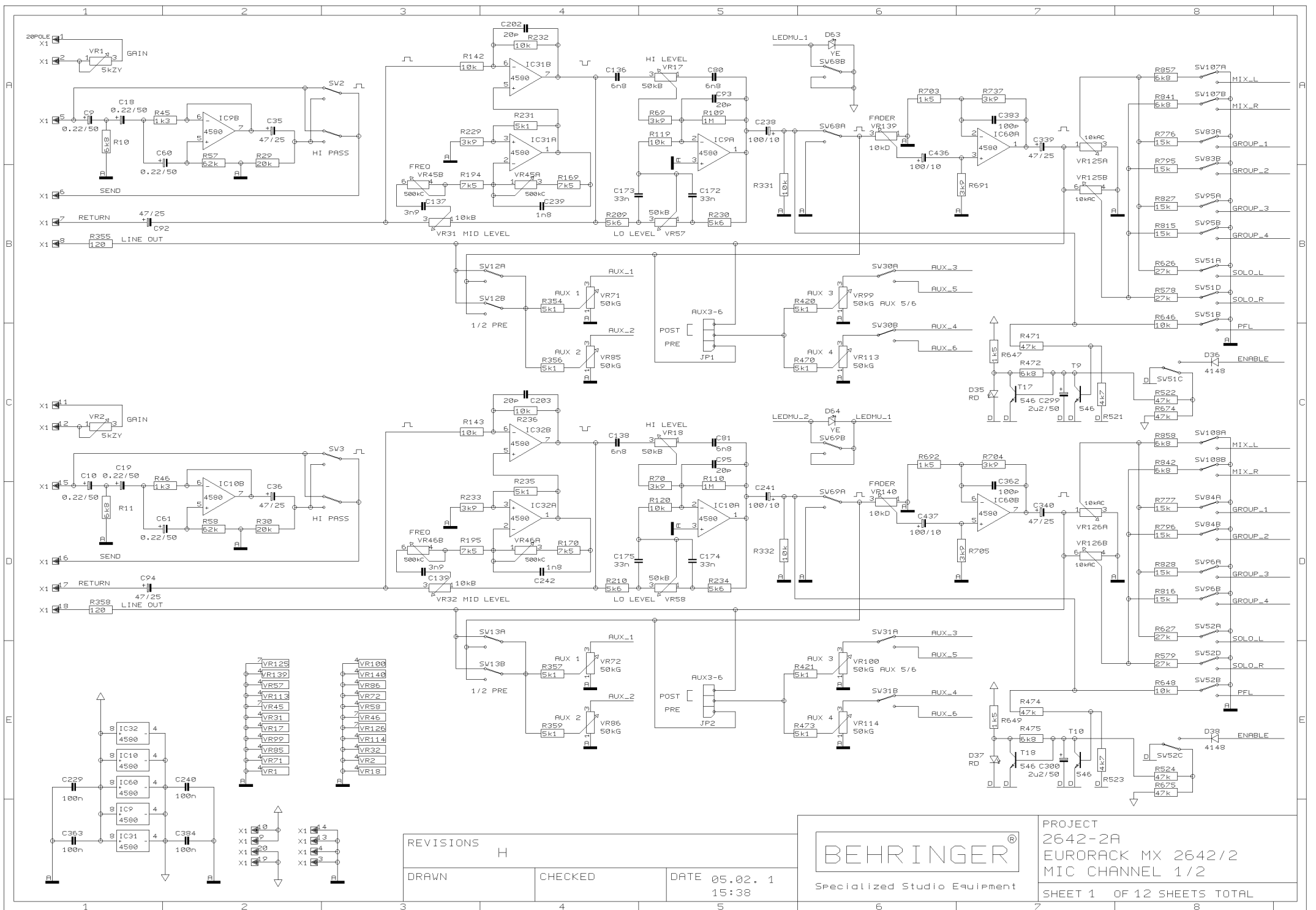


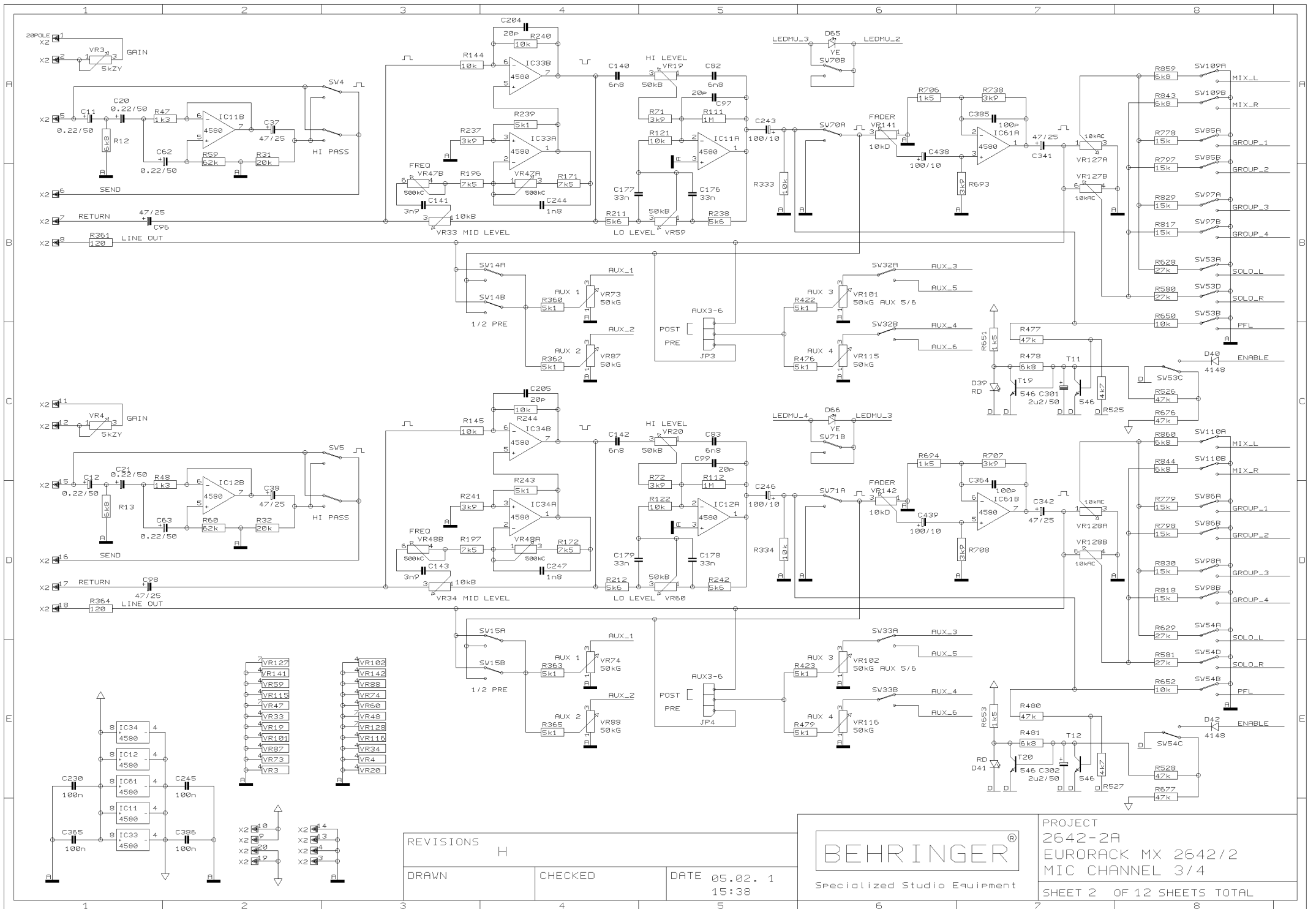
REVISIONS		
E		
DRAWN	CHECKED	DATE 05.02. 15:45



PROJECT
2642-01
POWER SUPPLY & I/O

SHEET 3 OF 3 SHEETS TOTAL





REVISIONS

H

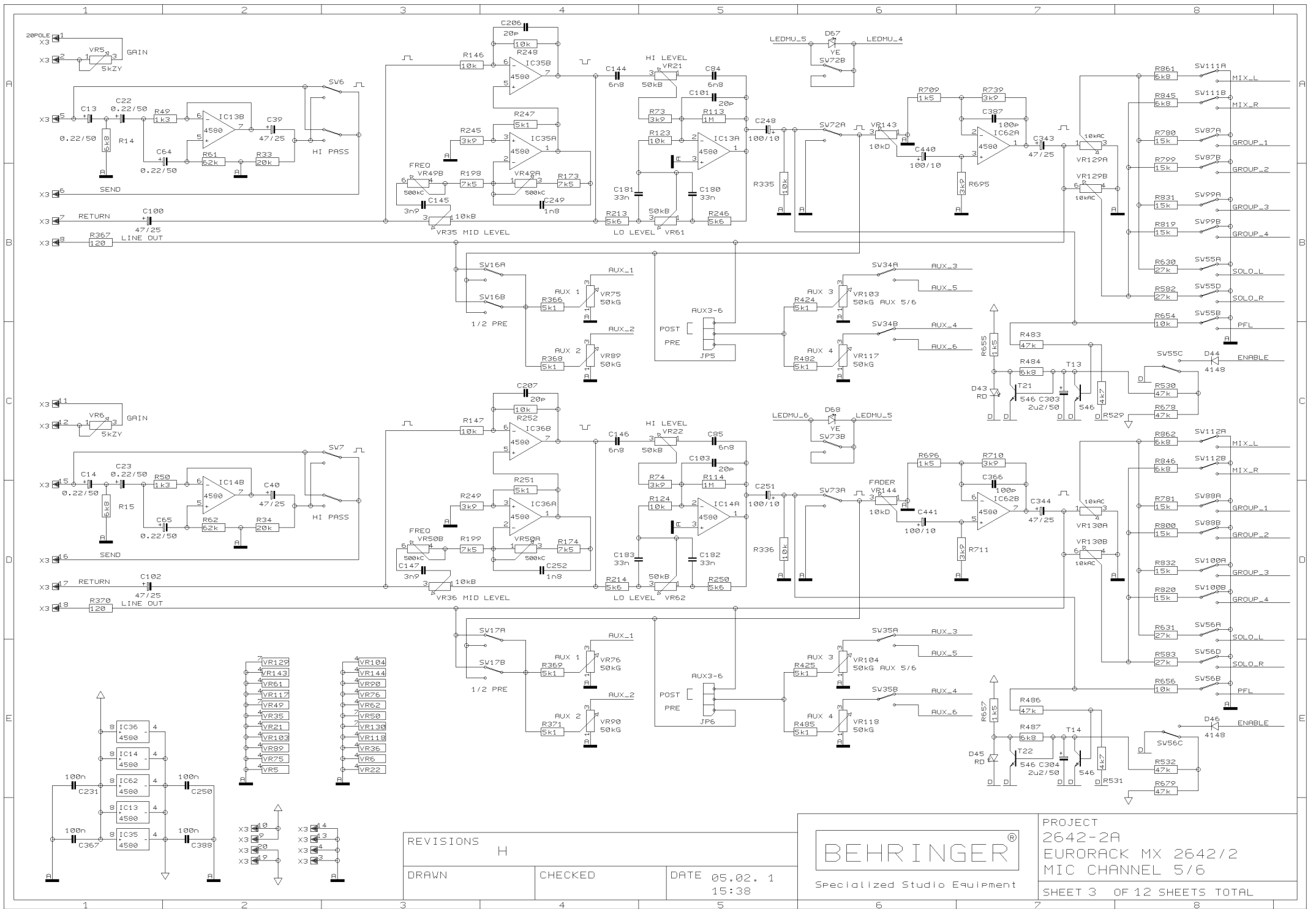
DRAWN

CHECKED

DATE 05.02. 1
15:38



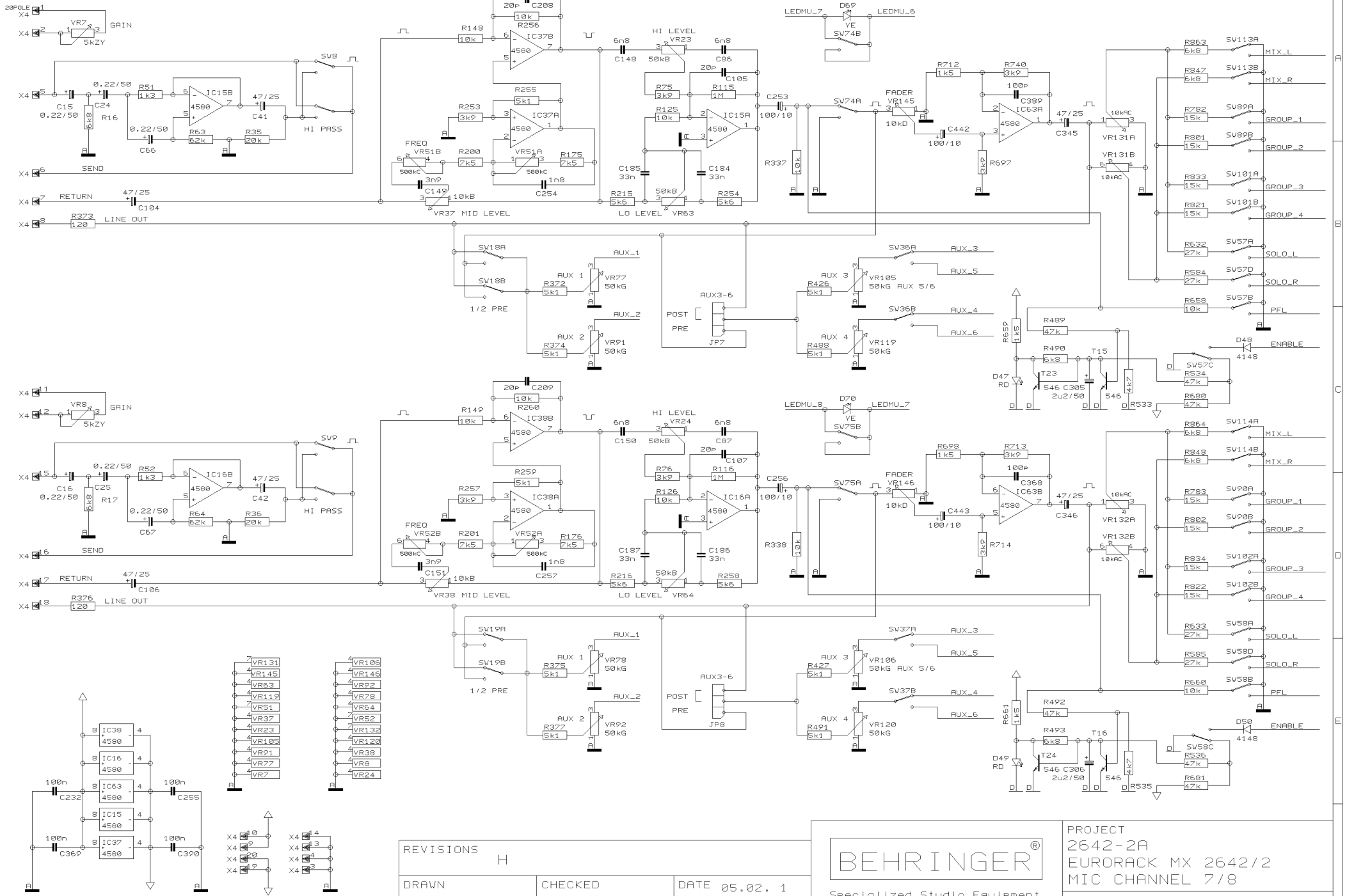
PROJECT
2642-2A
EURORACK MX 2642/2
MIC CHANNEL 3/4
SHEET 2 OF 12 SHEETS TOTAL



REVISIONS	H
DRAWN	CHECKED
DATE 05.02. 1 15:38	



PROJECT
2642-2A
EURORACK MX 2642/2
MIC CHANNEL 5/6
SHEET 3 OF 12 SHEETS TOTAL



REVISIONS

H

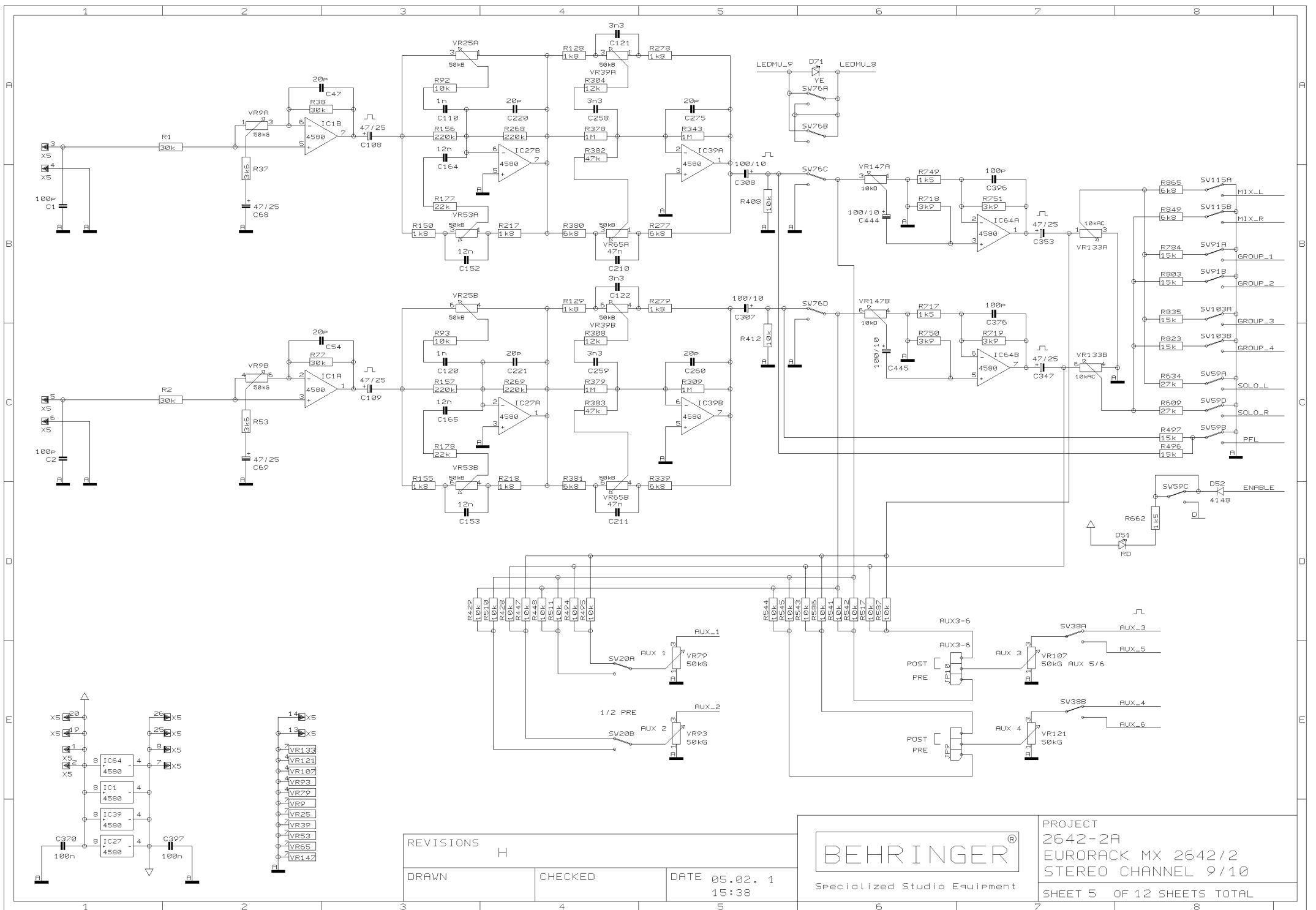
DRAWN

CHECKED

DATE 05.02. 1
15:38



PROJECT
2642-2A
EURORACK MX 2642/2
MIC CHANNEL 7/8
SHEET 4 OF 12 SHEETS TOTAL



REVISIONS

H

DRAWN

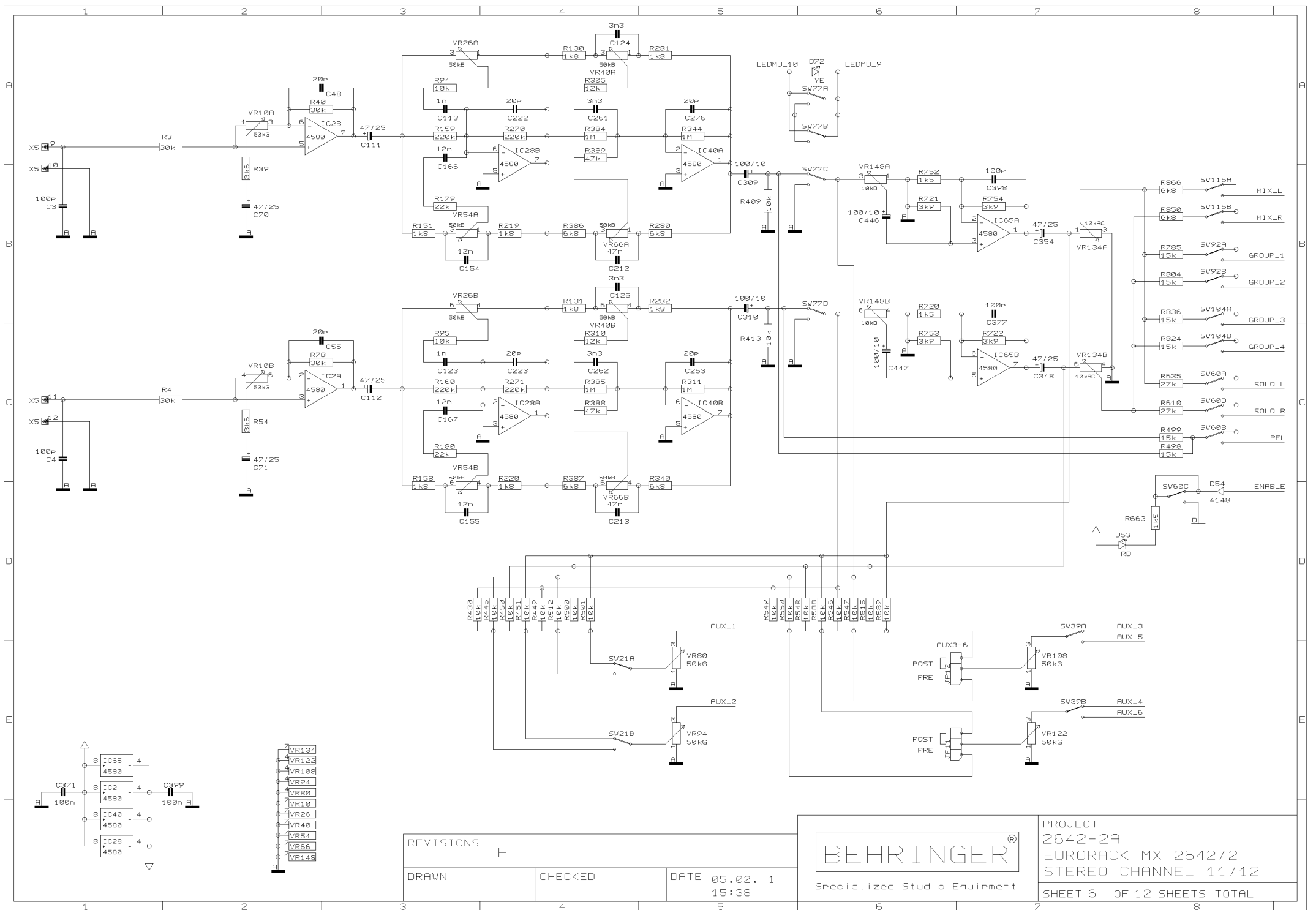
CHECKED

DATE 05.02. 1
15:38



Specialized Studio Equipment

PROJECT
2642-2A
EURORACK MX 2642/2
STEREO CHANNEL 9/10
SHEET 5 OF 12 SHEETS TOTAL



REVISIONS

H

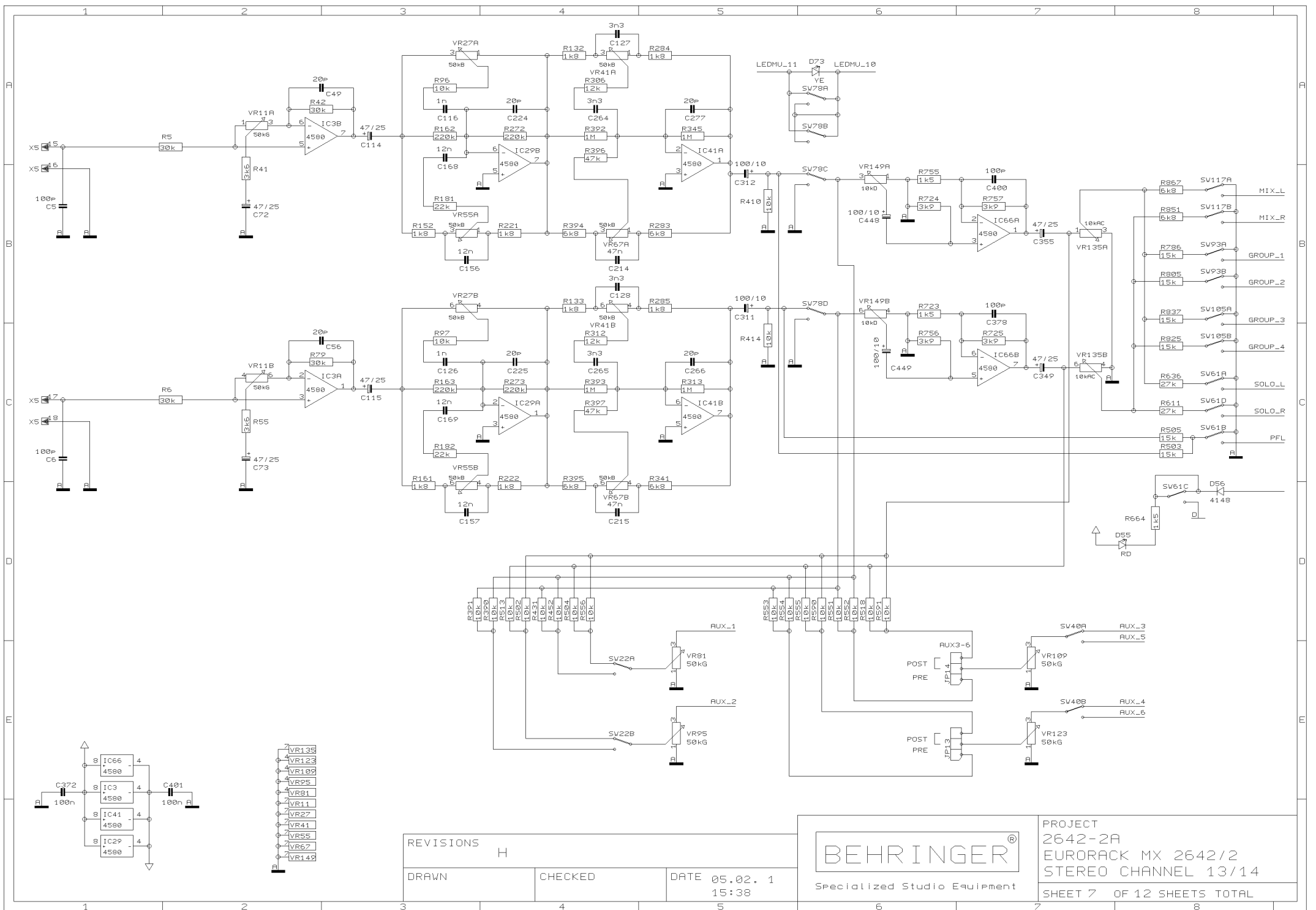
DRAWN

CHECKED

DATE 05.02. 1
15:38



PROJECT
2642-2A
EURORACK MX 2642/2
STEREO CHANNEL 11/12
SHEET 6 OF 12 SHEETS TOTAL



REVISIONS

H

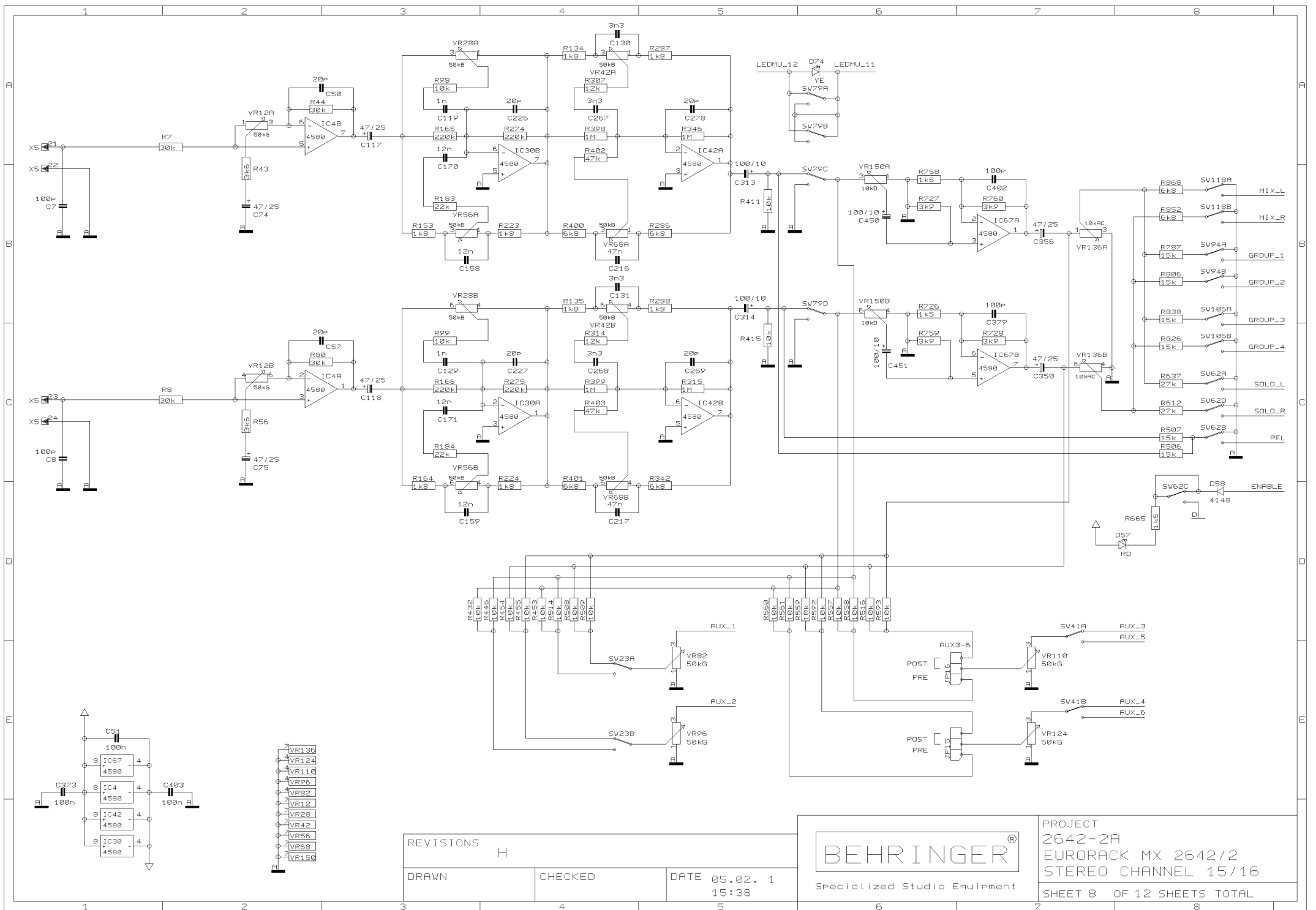
DRAWN

CHECKED

DATE 05.02. 1
15:38



PROJECT
2642-2A
EURORACK MX 2642/2
STEREO CHANNEL 13/14
SHEET 7 OF 12 SHEETS TOTAL



REVISIONS

H

DRAWN

CHECKED

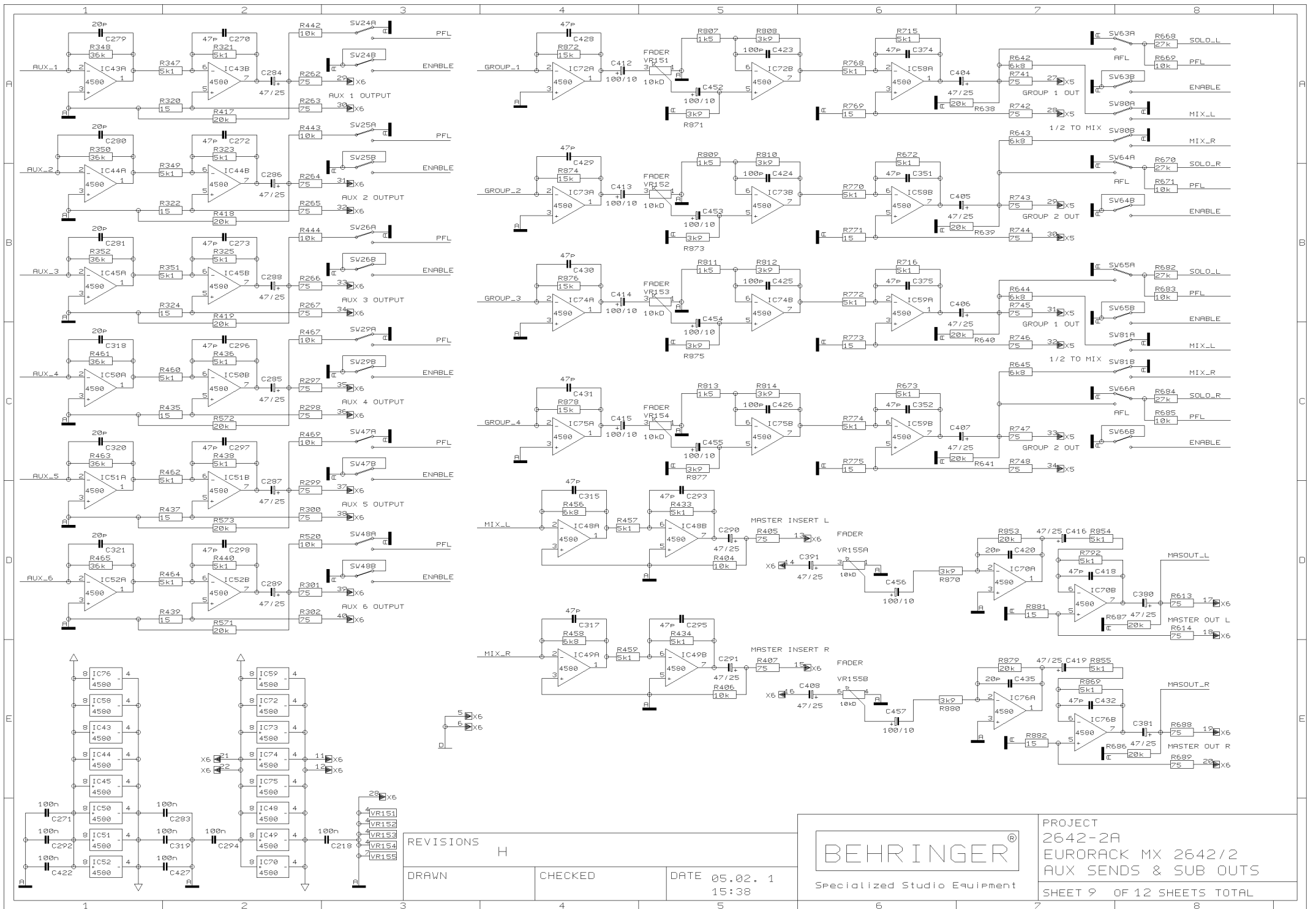
DATE 05.02. 1
15:38



Specialized Studio Equipment

PROJECT
2642-2A
EURORACK MX 2642/2
STEREO CHANNEL 15/16

SHEET 8 OF 12 SHEETS TOTAL



REVISIONS

H

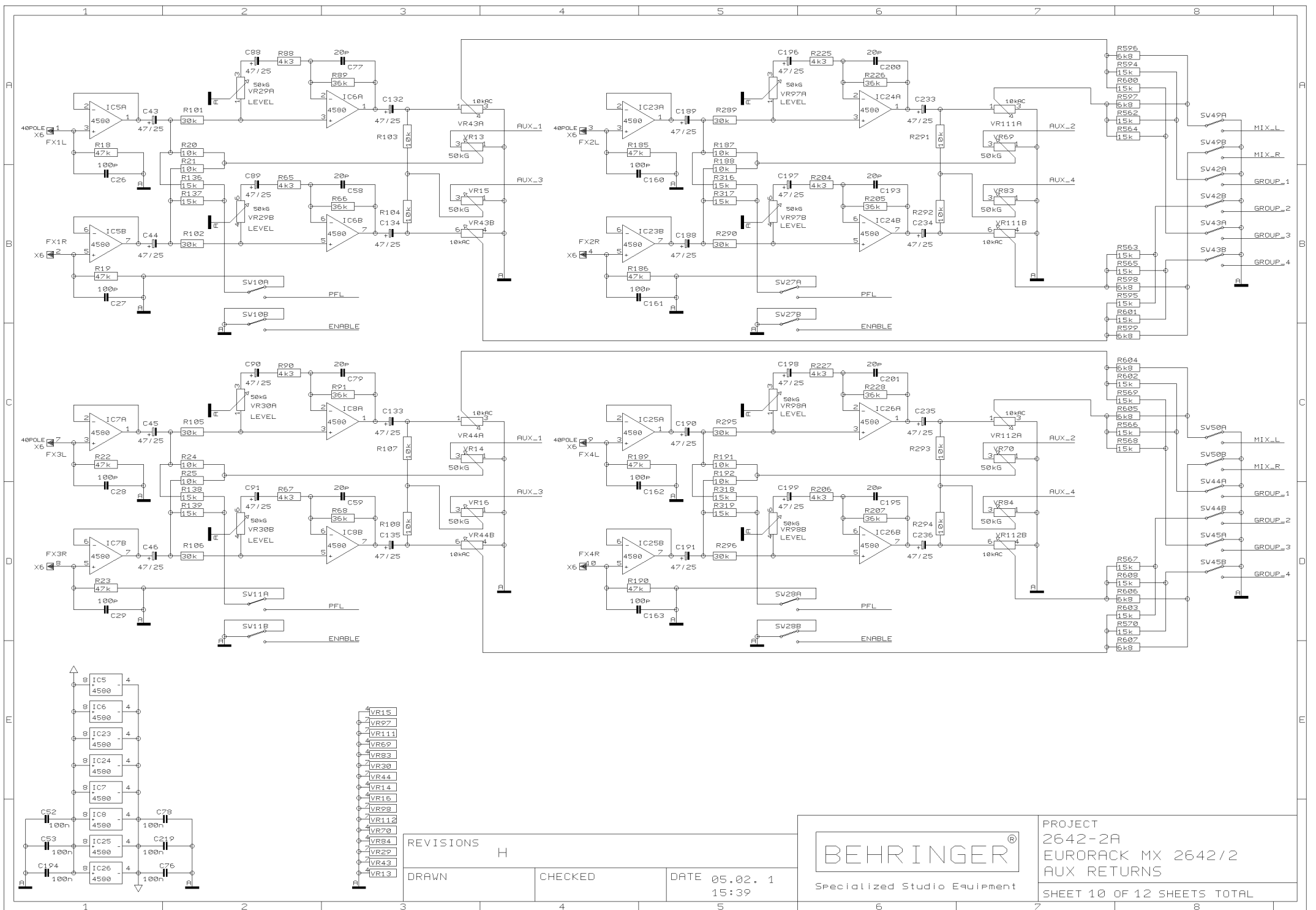
DRAWN

CHECKED

DATE 05.02. 1
15:38



PROJECT
2642-2A
EURORACK MX 2642/2
AUX SENDS & SUB OUTS
SHEET 9 OF 12 SHEETS TOTAL

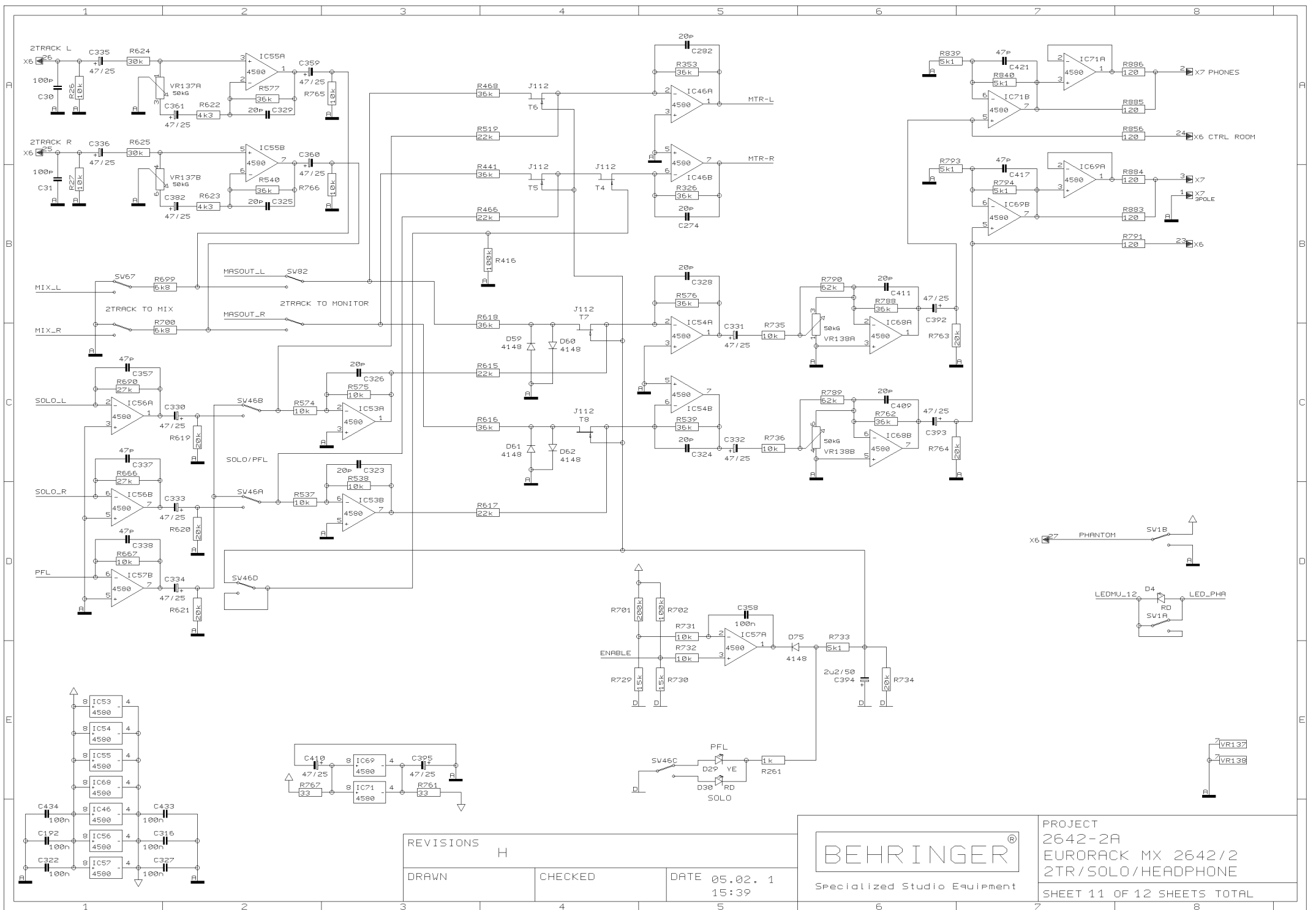


REVISIONS H

DRAWN CHECKED DATE 05.02. 1 15:39



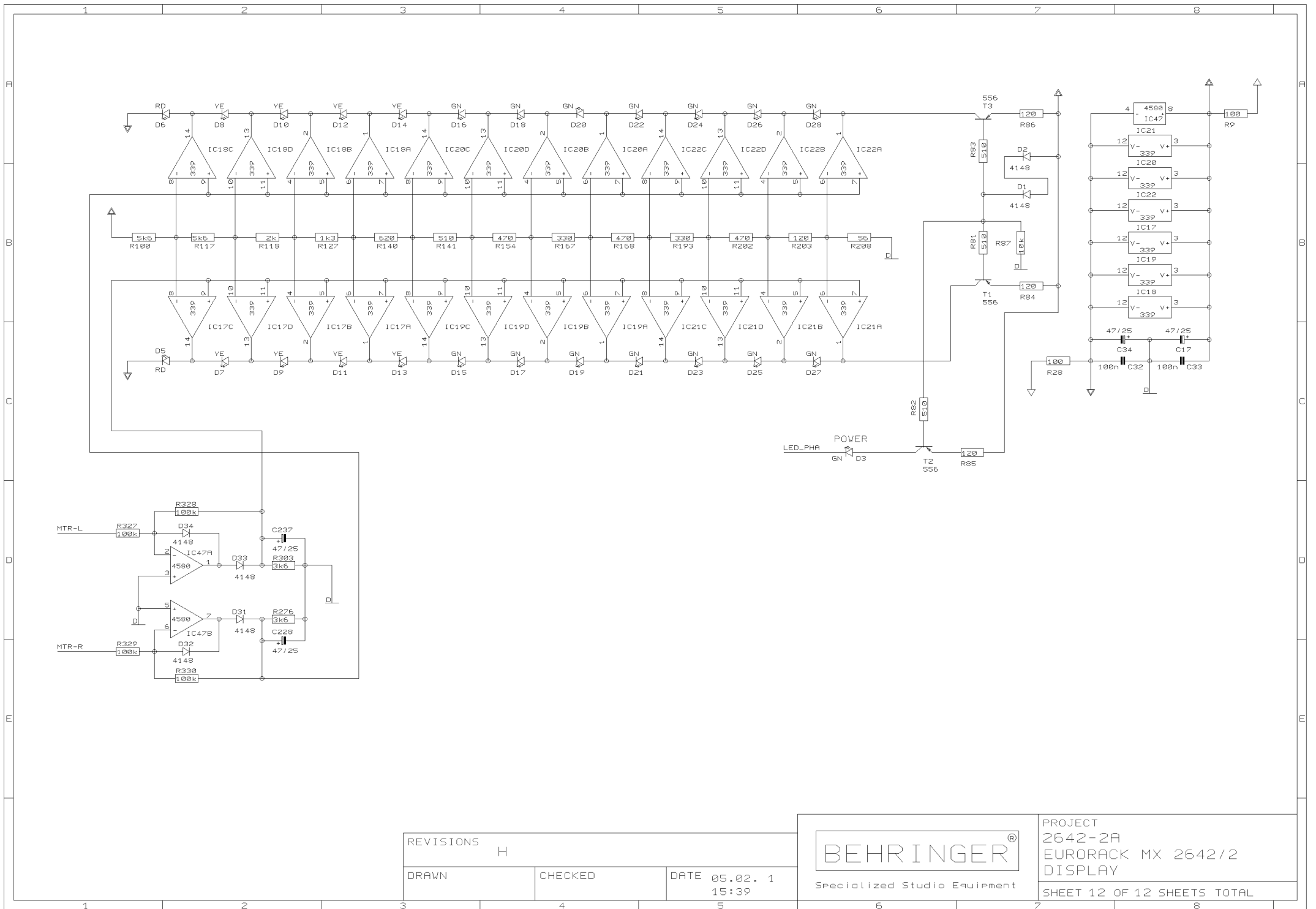
PROJECT 2642-2A
 EURORACK MX 2642/2
 AUX RETURNS
 SHEET 10 OF 12 SHEETS TOTAL



REVISIONS		
H		
DRAWN	CHECKED	DATE 05.02. 1 15:39



PROJECT
2642-2A
EURORACK MX 2642/2
2TR/SOLO/HEADPHONE
SHEET 11 OF 12 SHEETS TOTAL



REVISIONS

H

DRAWN

CHECKED

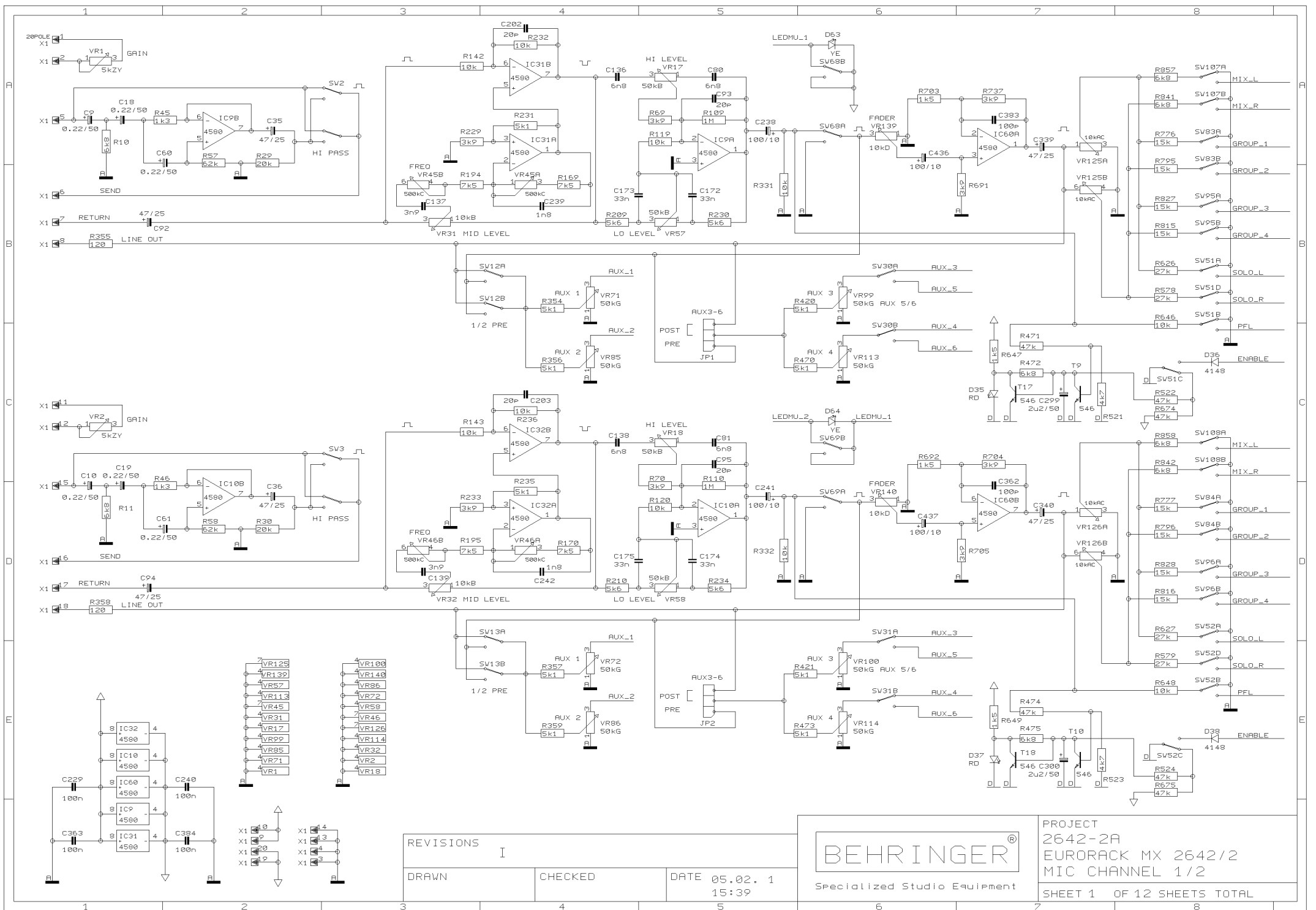
DATE 05.02. 1
15:39

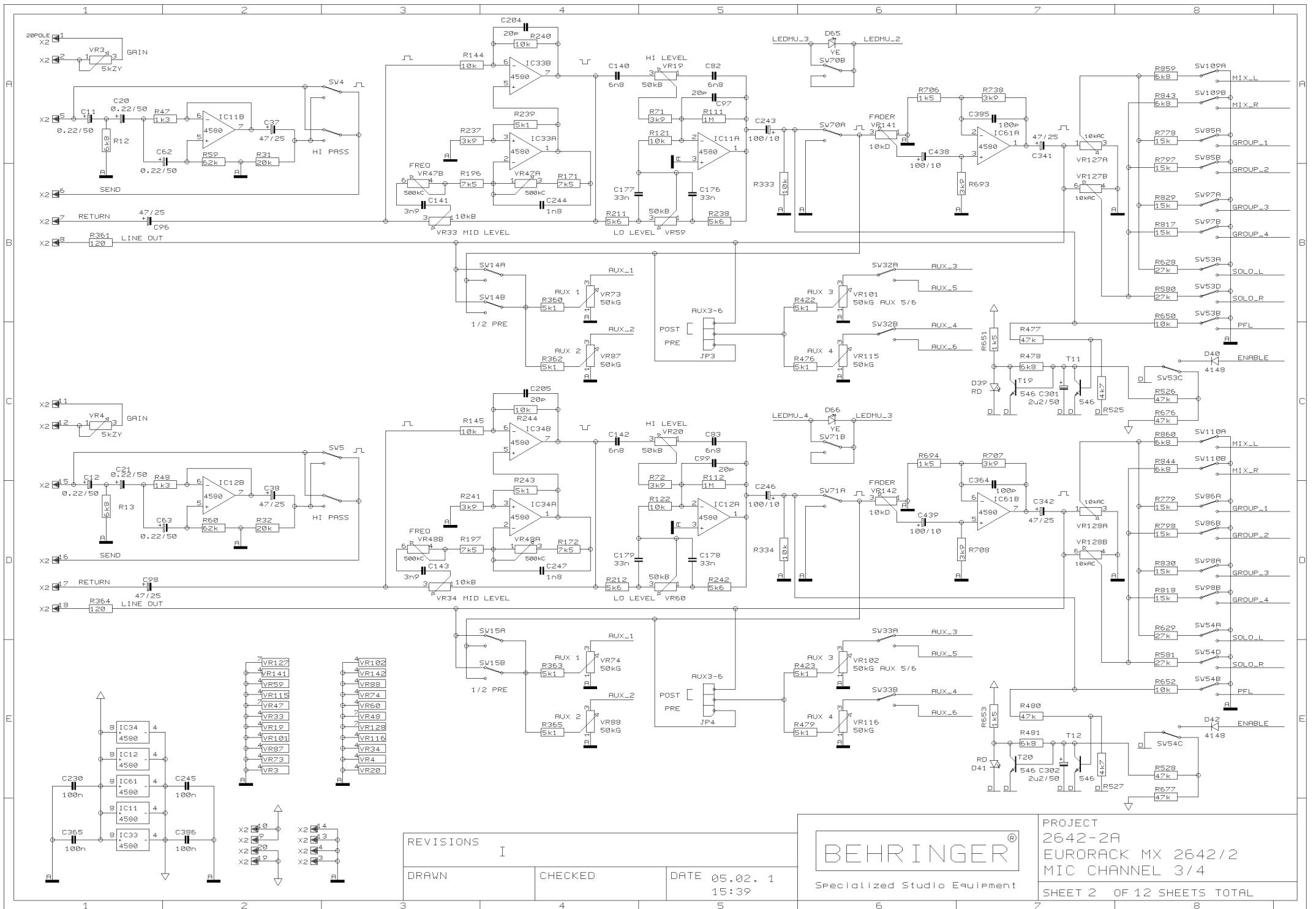
BEHRINGER®

Specialized Studio Equipment

PROJECT
2642-2A
EURORACK MX 2642/2
DISPLAY

SHEET 12 OF 12 SHEETS TOTAL





REVISIONS

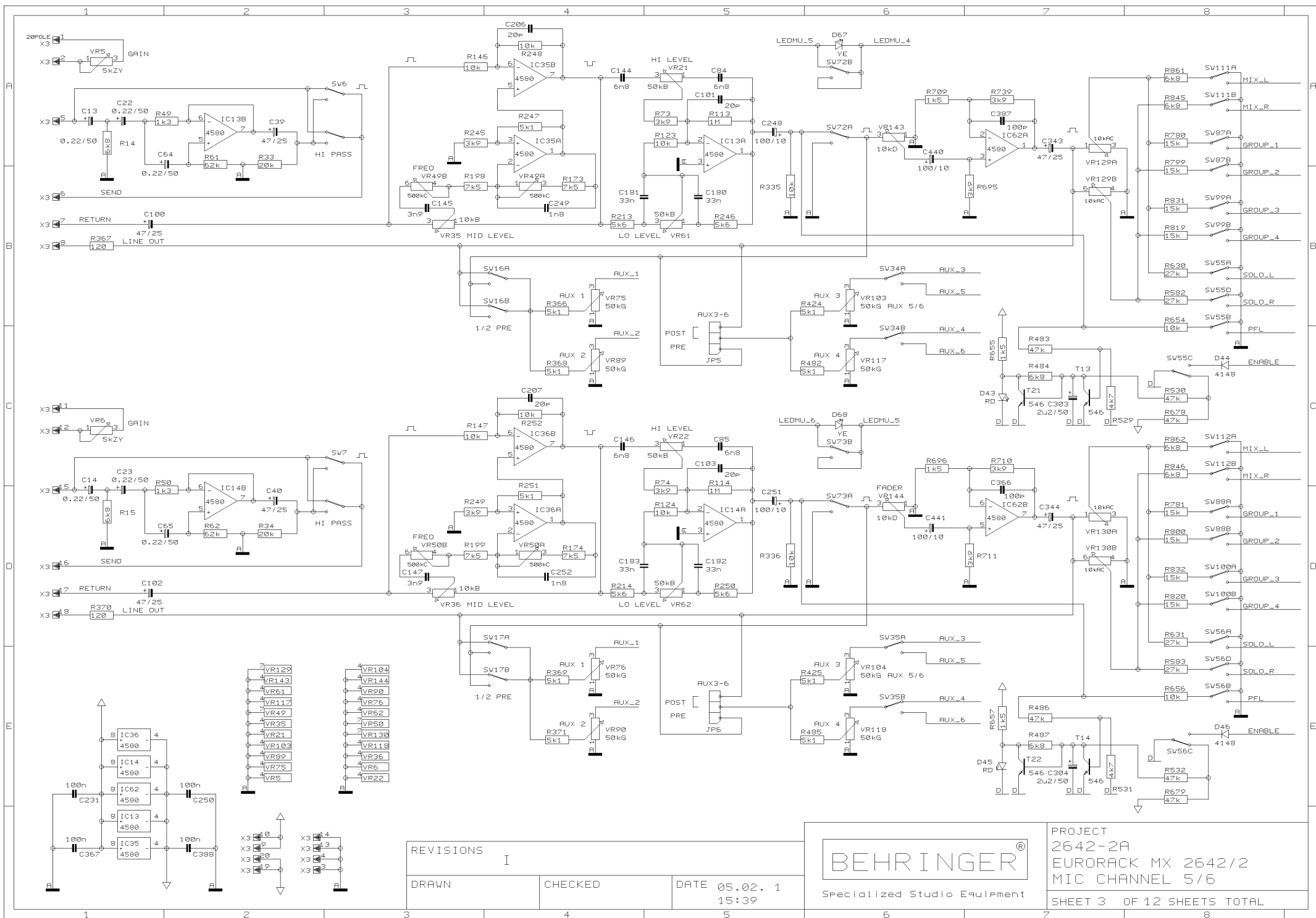
DRAWN

CHECKED

DATE 05.02. 1
15:39



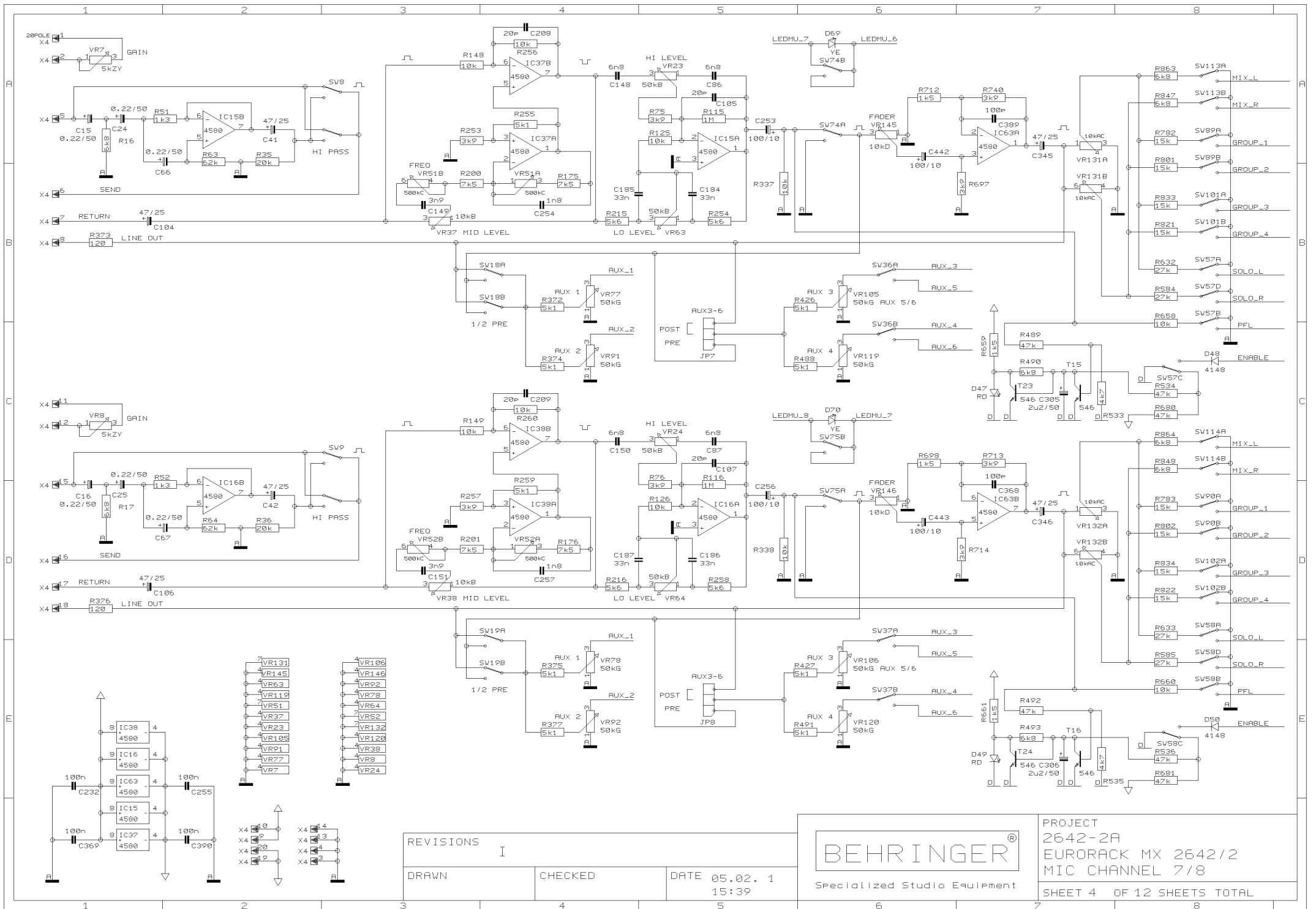
PROJECT
2642-2A
EURORACK MX 2642/2
MIC CHANNEL 3/4
SHEET 2 OF 12 SHEETS TOTAL



REVISIONS		
I		
DRAWN	CHECKED	DATE 05.02. 1 15:39



PROJECT
2642-2A
EURORACK MX 2642/2
MIC CHANNEL 5/6
SHEET 3 OF 12 SHEETS TOTAL



REVISIONS

I

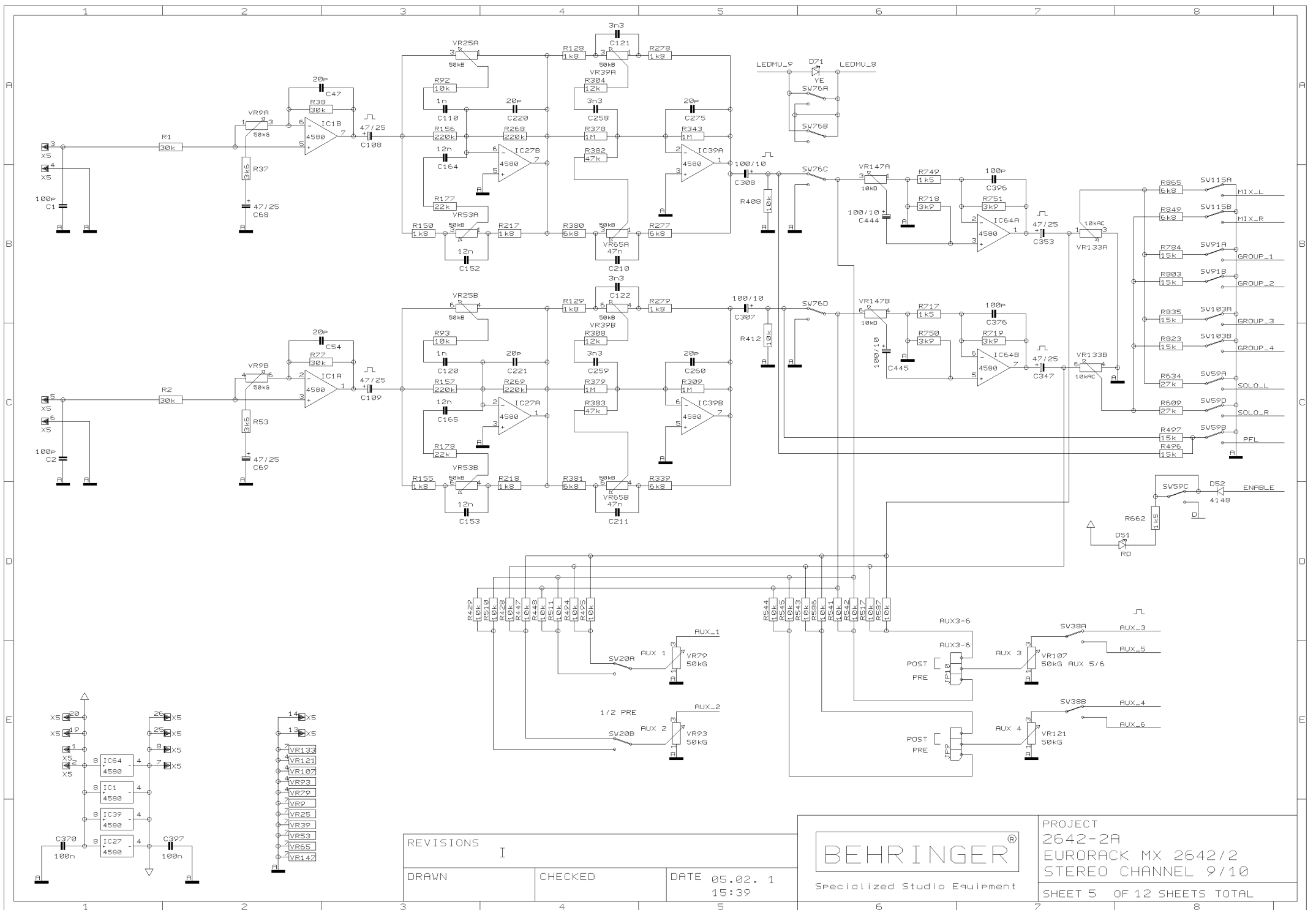
DRAWN

CHECKED

DATE 05.02. 1
15:39



PROJECT
2642-2A
EURORACK MX 2642/2
MIC CHANNEL 7/8
SHEET 4 OF 12 SHEETS TOTAL



REVISIONS

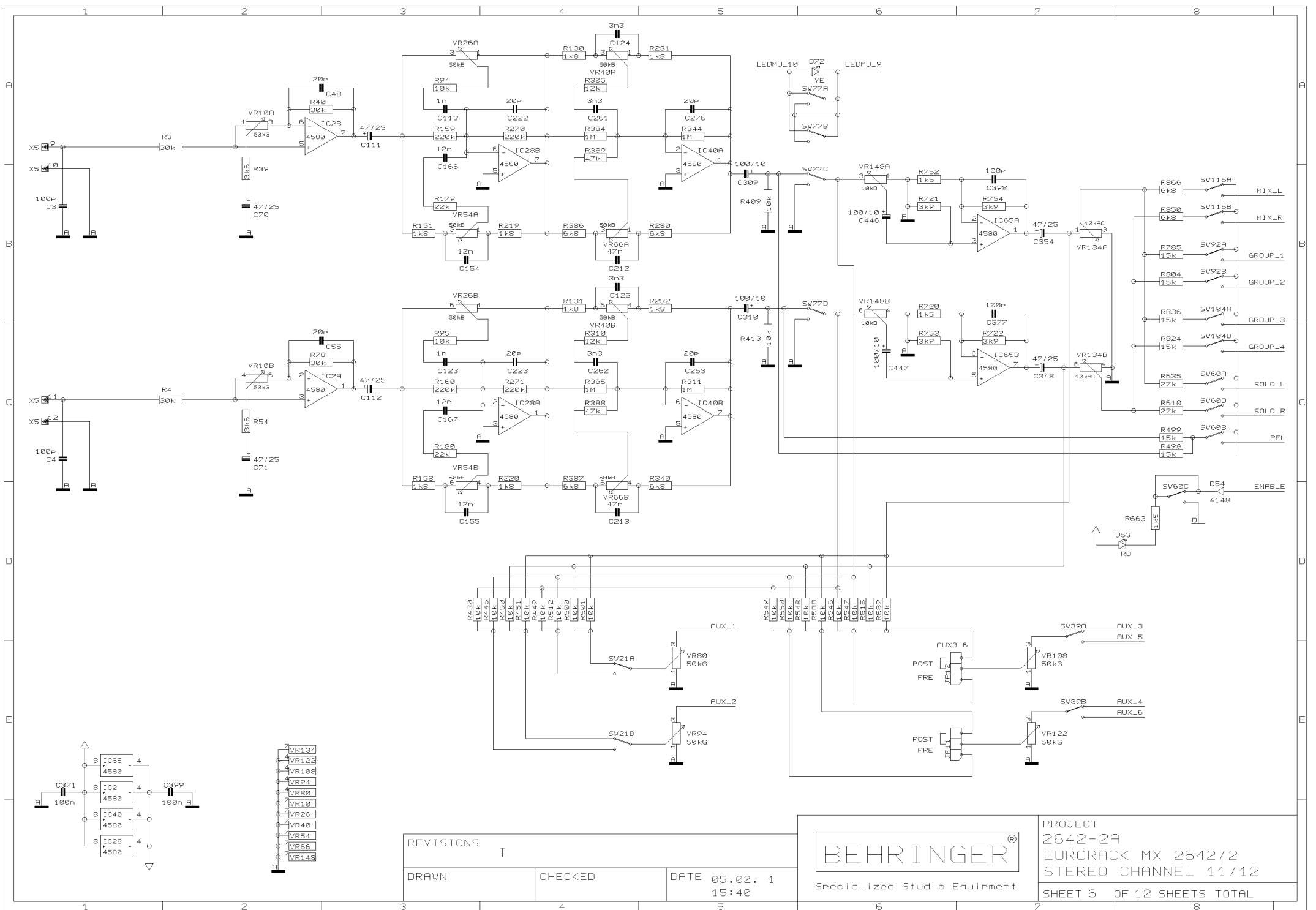
DRAWN

CHECKED

DATE 05.02. 1
15:39



PROJECT
2642-2A
EURORACK MX 2642/2
STEREO CHANNEL 9/10
SHEET 5 OF 12 SHEETS TOTAL



REVISIONS

I

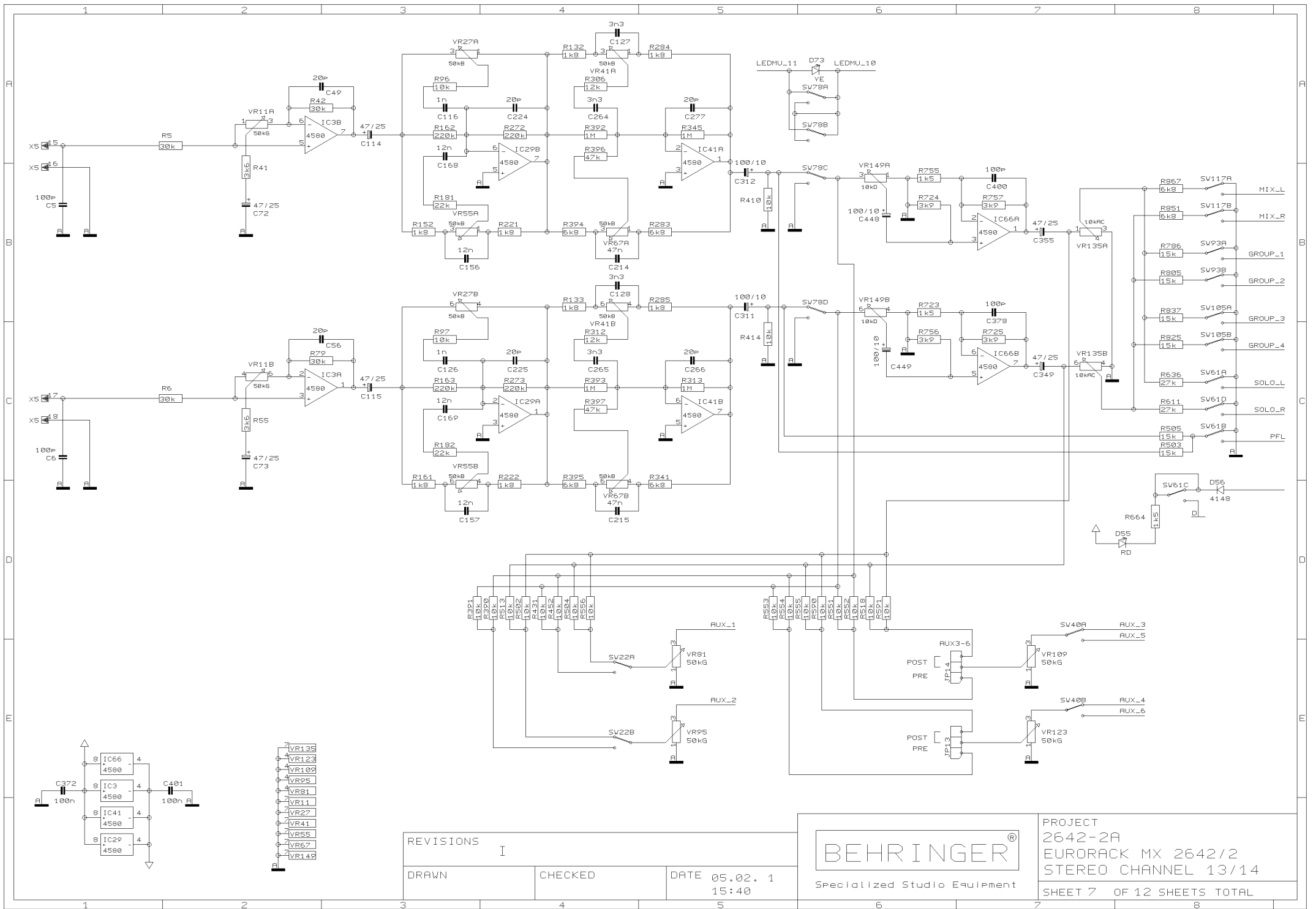
DRAWN

CHECKED

DATE 05.02. 1
15:40



PROJECT
2642-2A
EURORACK MX 2642/2
STEREO CHANNEL 11/12
SHEET 6 OF 12 SHEETS TOTAL



REVISIONS

I

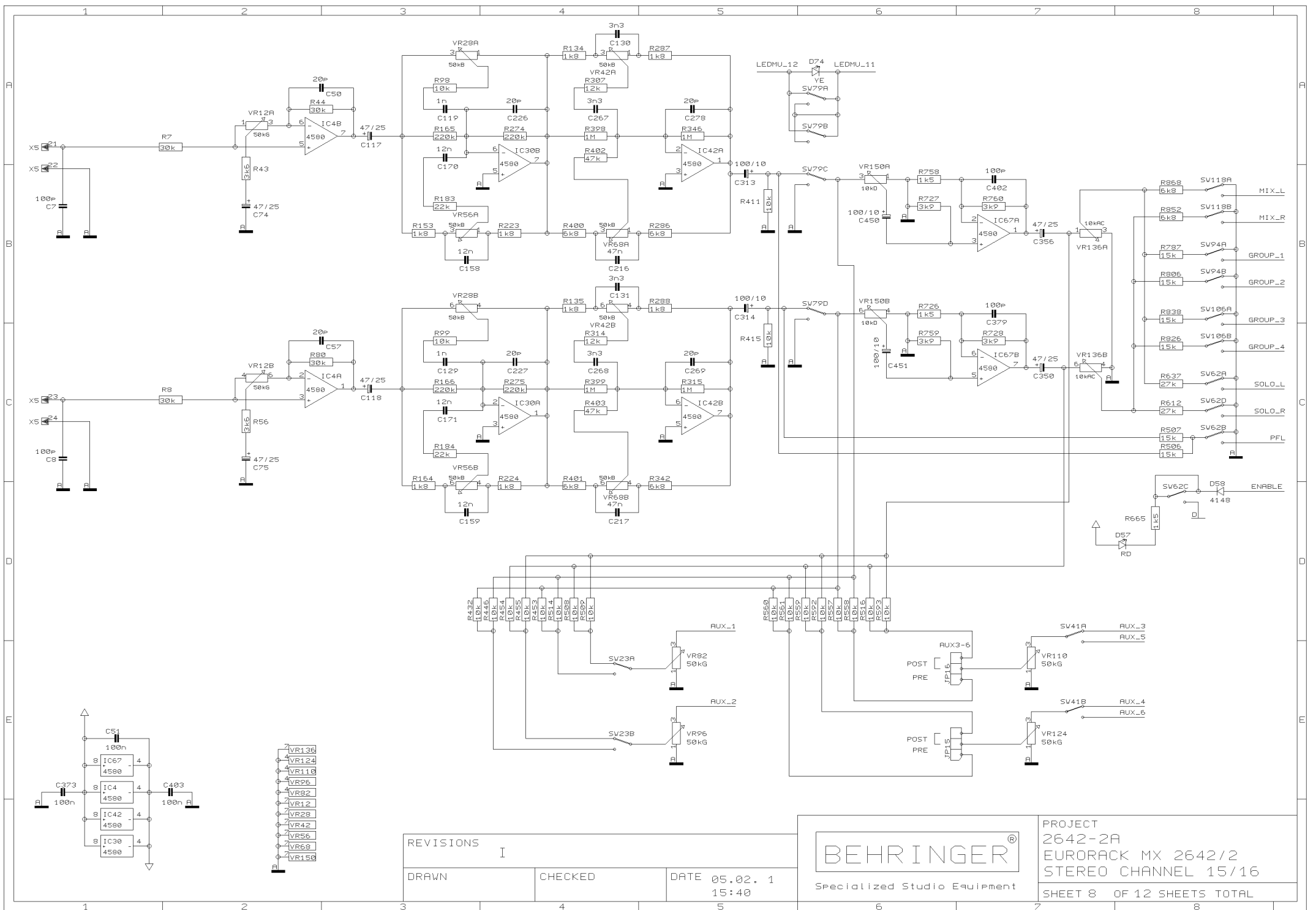
DRAWN

CHECKED

DATE 05.02.1
15:40



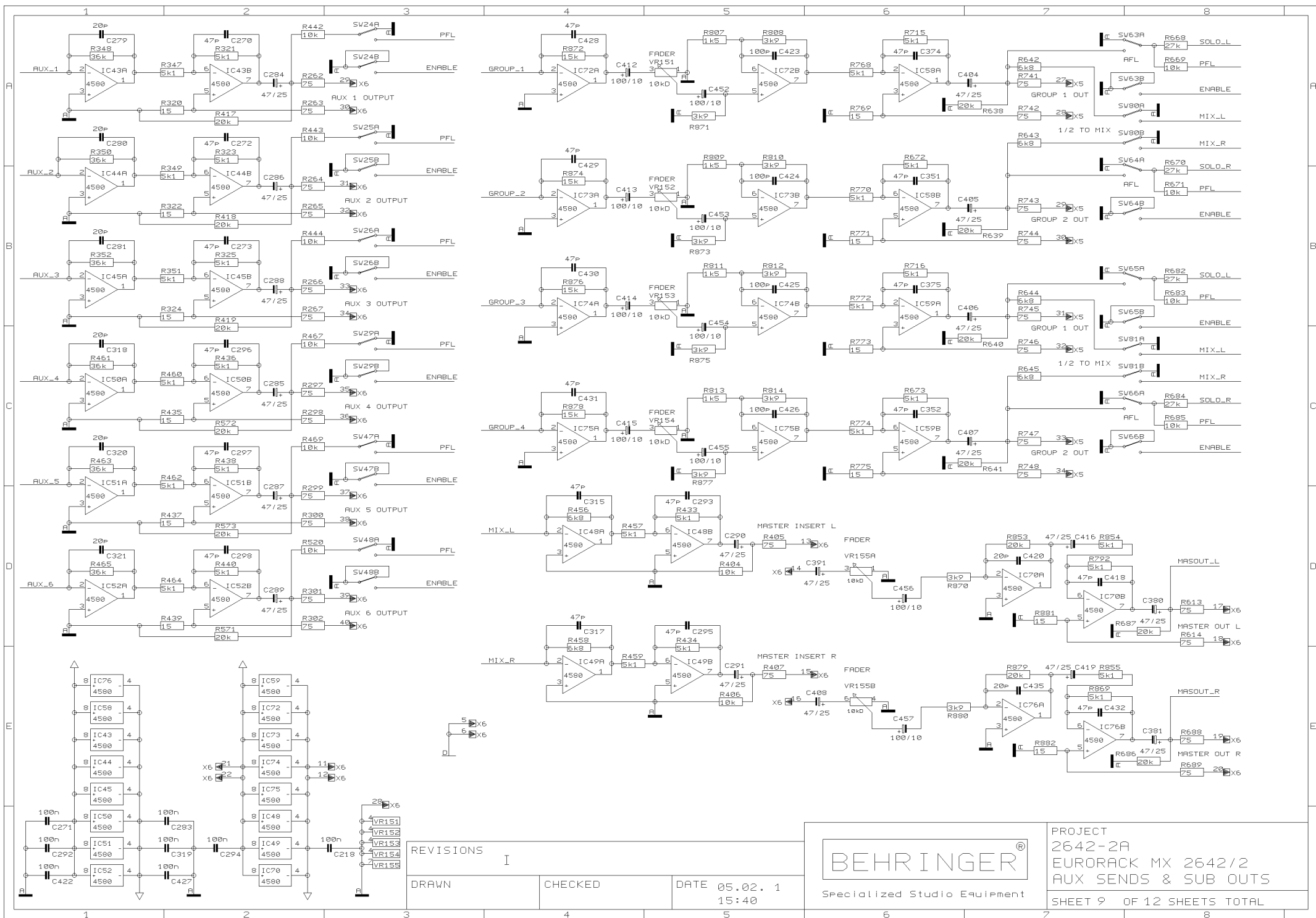
PROJECT
2642-2A
EURORACK MX 2642/2
STEREO CHANNEL 13/14
SHEET 7 OF 12 SHEETS TOTAL



REVISIONS		
I		
DRAWN	CHECKED	DATE 05.02. 1 15:40



PROJECT
2642-2A
EURORACK MX 2642/2
STEREO CHANNEL 15/16
SHEET 8 OF 12 SHEETS TOTAL

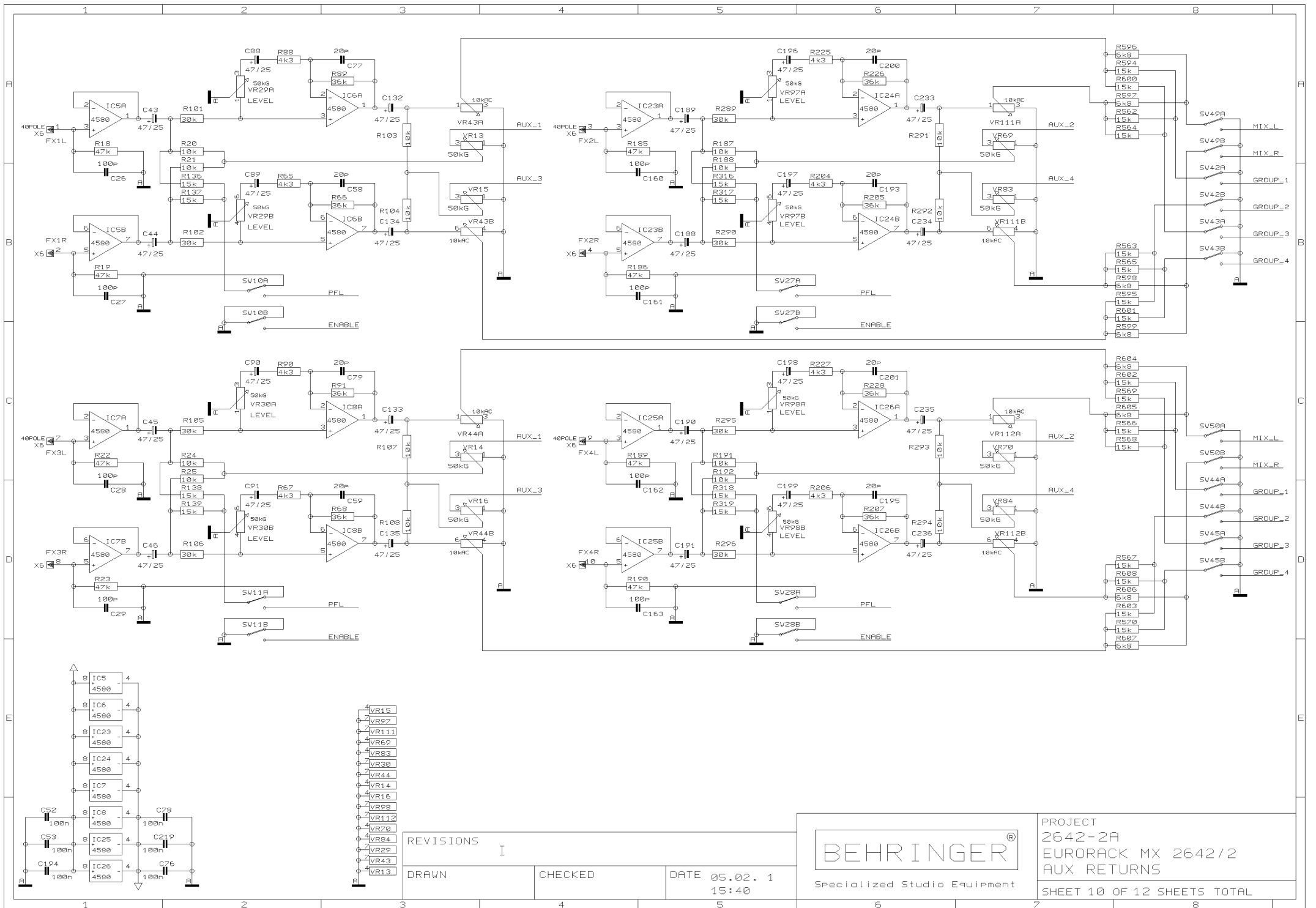


REVISIONS I

DRAWN CHECKED DATE 05.02. 1 15:40



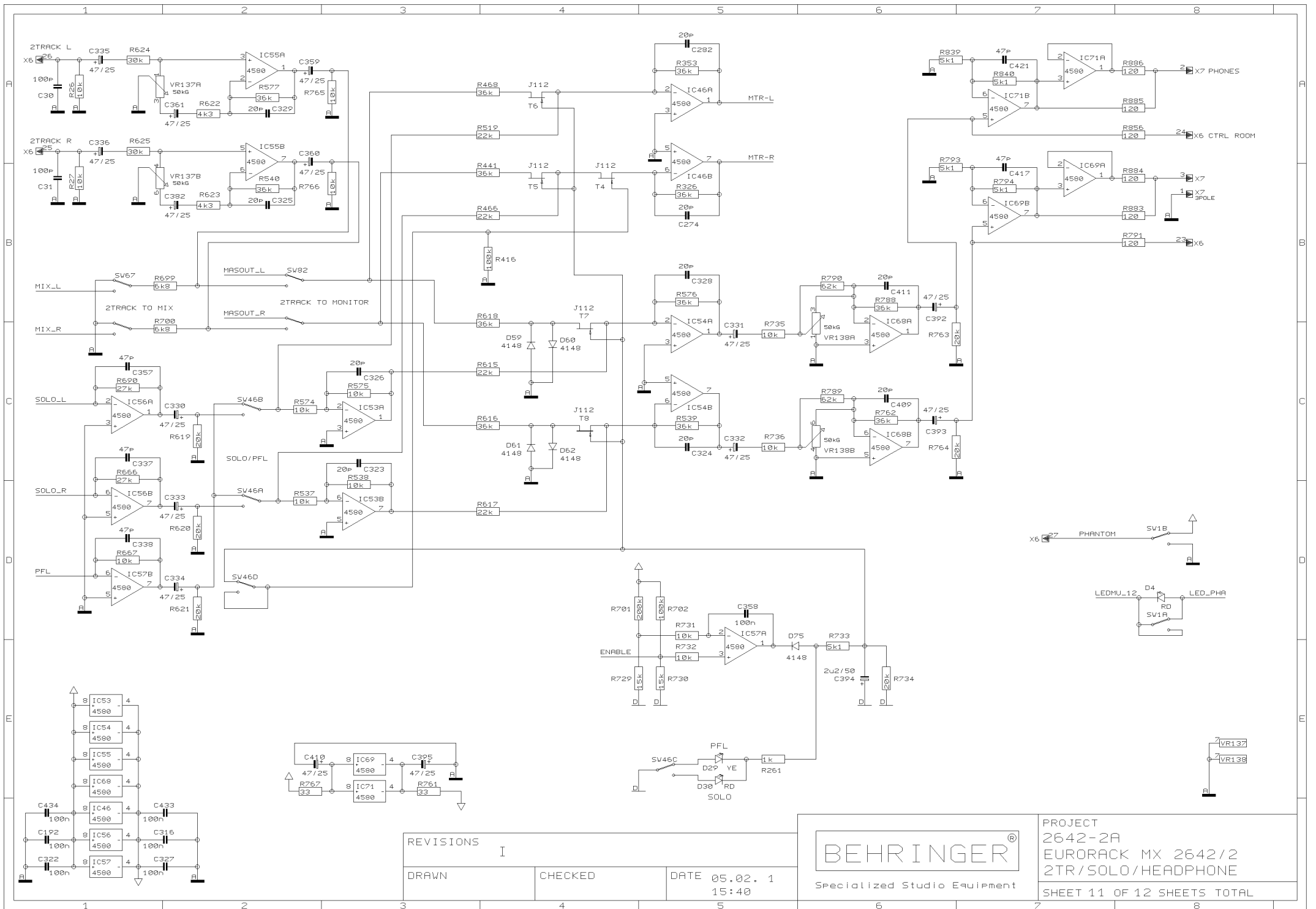
PROJECT
 2642-2A
 EURORACK MX 2642/2
 AUX SENDS & SUB OUTS
 SHEET 9 OF 12 SHEETS TOTAL



REVISIONS	I
DRAWN	CHECKED
DATE	05.02. 1 15:40



PROJECT
2642-2A
EURORACK MX 2642/2
AUX RETURNS
SHEET 10 OF 12 SHEETS TOTAL



REVISIONS
I

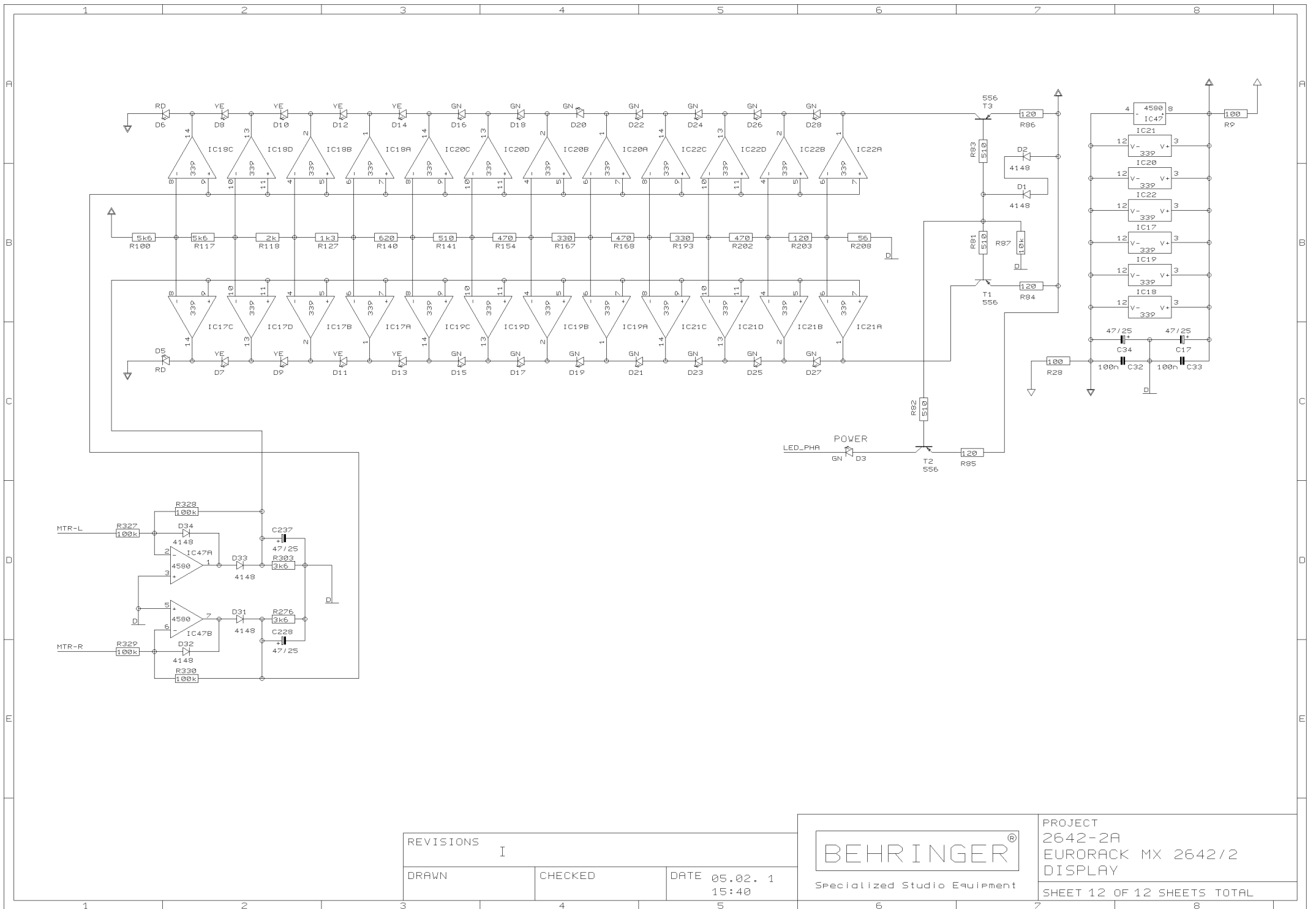
DRAWN

CHECKED

DATE 05.02. 1
15:40



PROJECT
2642-2A
EURORACK MX 2642/2
2TR/SOLO/HEADPHONE
SHEET 11 OF 12 SHEETS TOTAL



REVISIONS

I

DRAWN

CHECKED

DATE 05.02. 1
15:40



PROJECT
2642-2A
EURORACK MX 2642/2
DISPLAY
SHEET 12 OF 12 SHEETS TOTAL