

REVISIONS

DRAWN

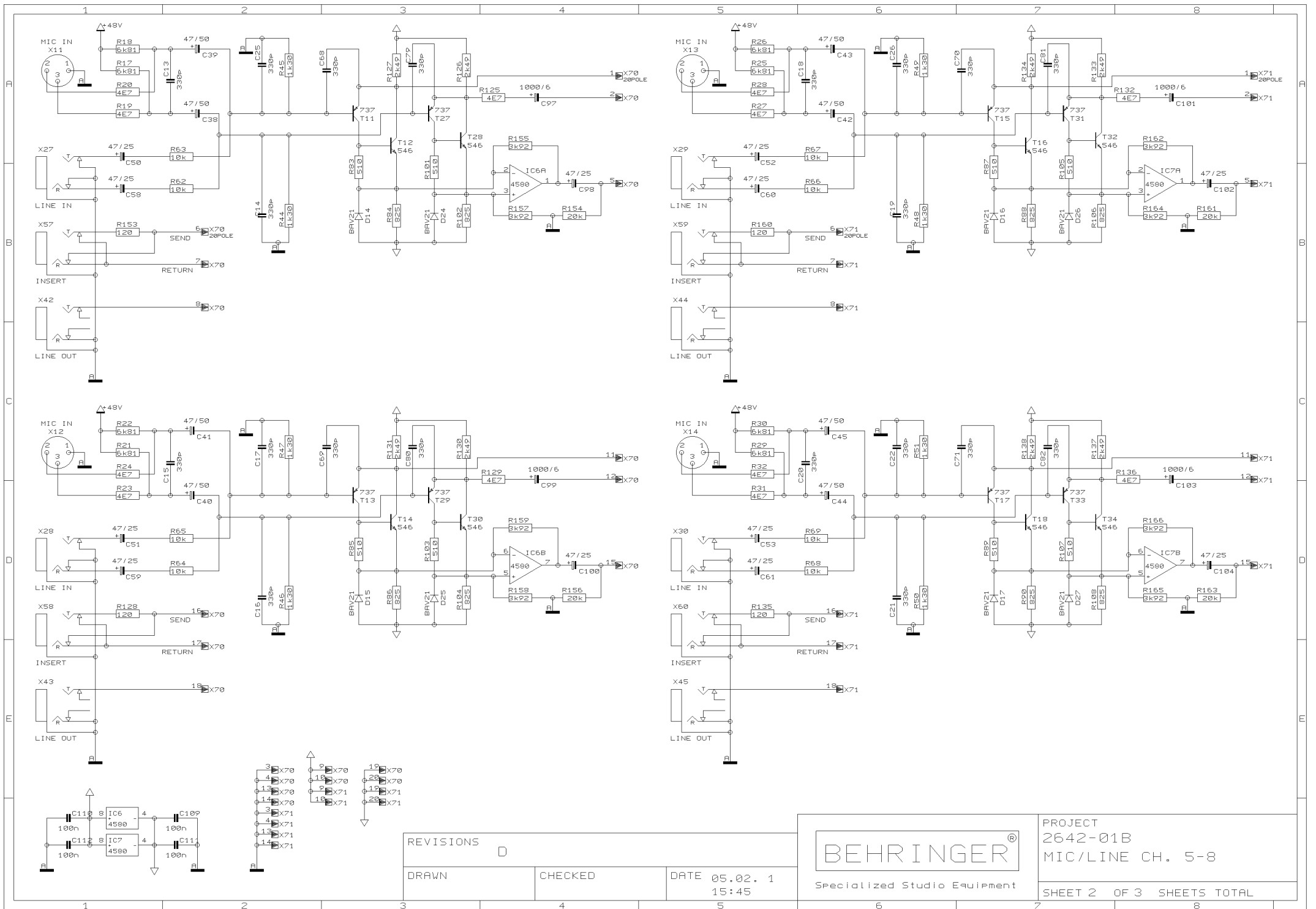
CHECKED

DATE 05.02. 1  
15:45



PROJECT  
2642-01B  
MIC/LINE CH. 1-4

SHEET 1 OF 3 SHEETS TOTAL



REVISIONS

D

DRAWN

CHECKED

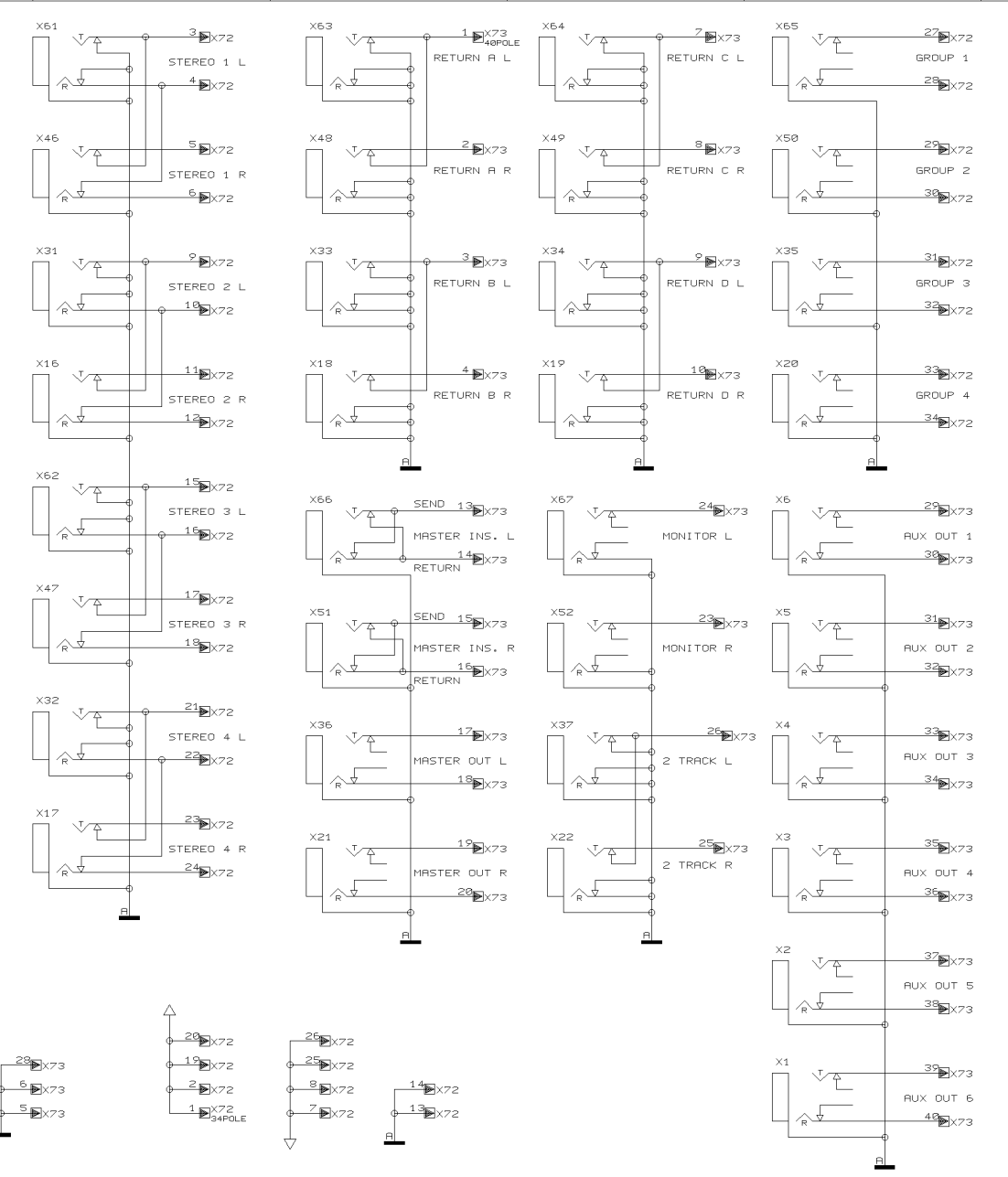
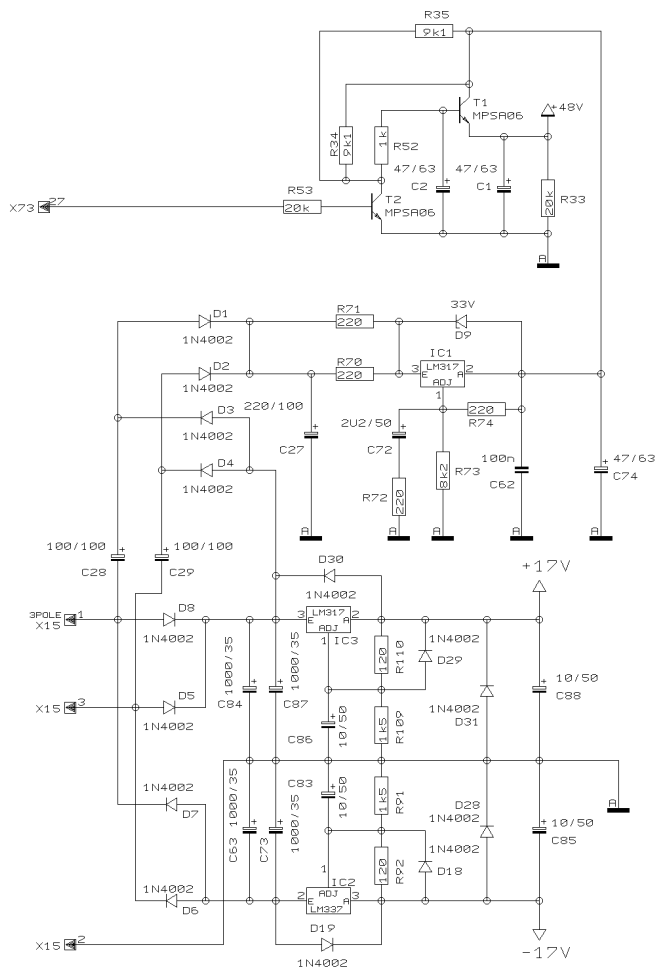
DATE 05.02. 1  
15:45

BEHRINGER®

Specialized Studio Equipment

PROJECT  
2642-01B  
MIC/LINE CH. 5-8

SHEET 2 OF 3 SHEETS TOTAL



REVISIONS		
D		
DRAWN	CHECKED	DATE 05.02. 15:45



PROJECT  
2642-01B  
POWER SUPPLY & I/O

SHEET 3 OF 3 SHEETS TOTAL