

REVISIONS

DRAWN

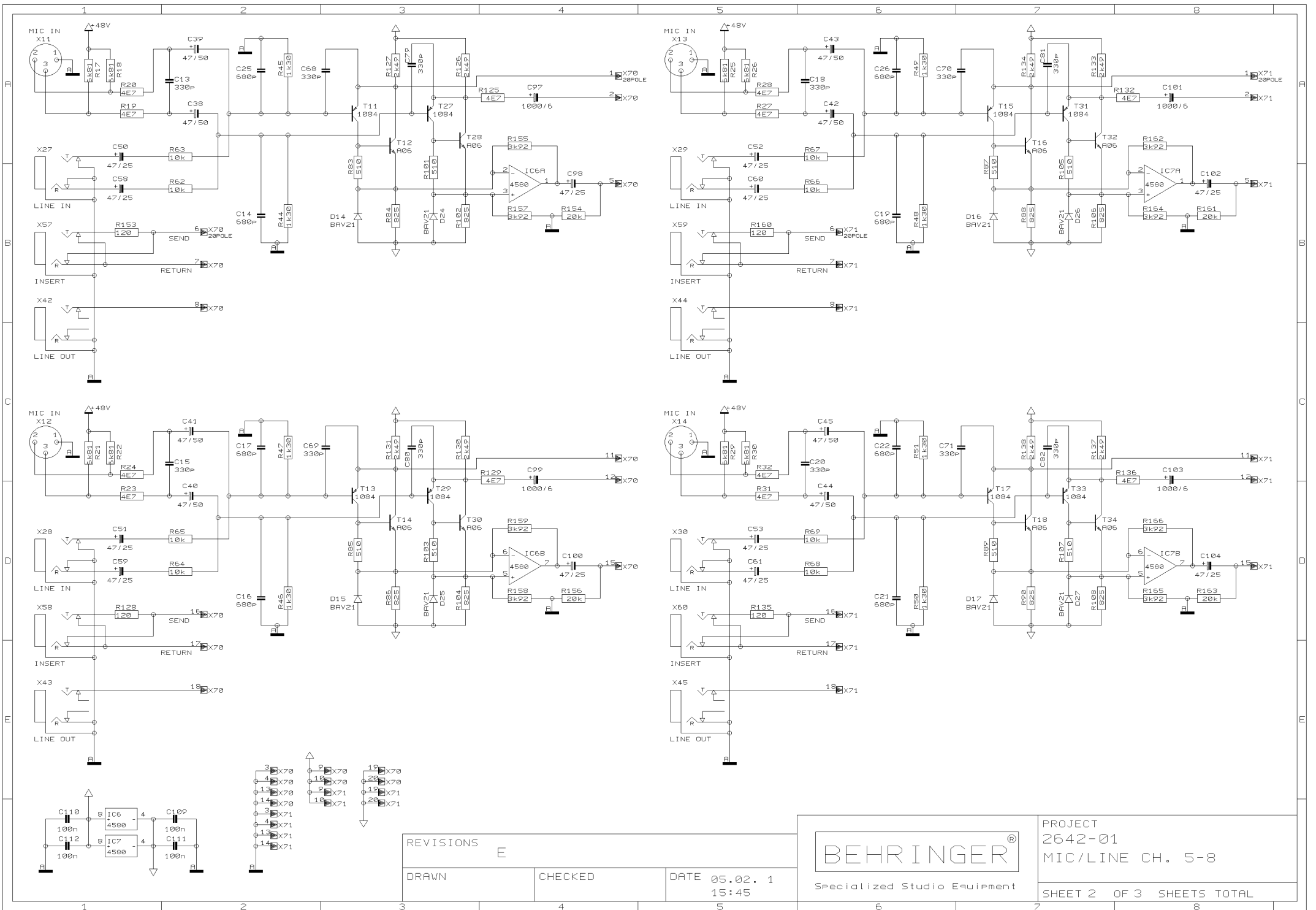
CHECKED

DATE 05.02. 1
15:45



PROJECT
2642-01
MIC/LINE CH. 1-4

SHEET 1 OF 3 SHEETS TOTAL

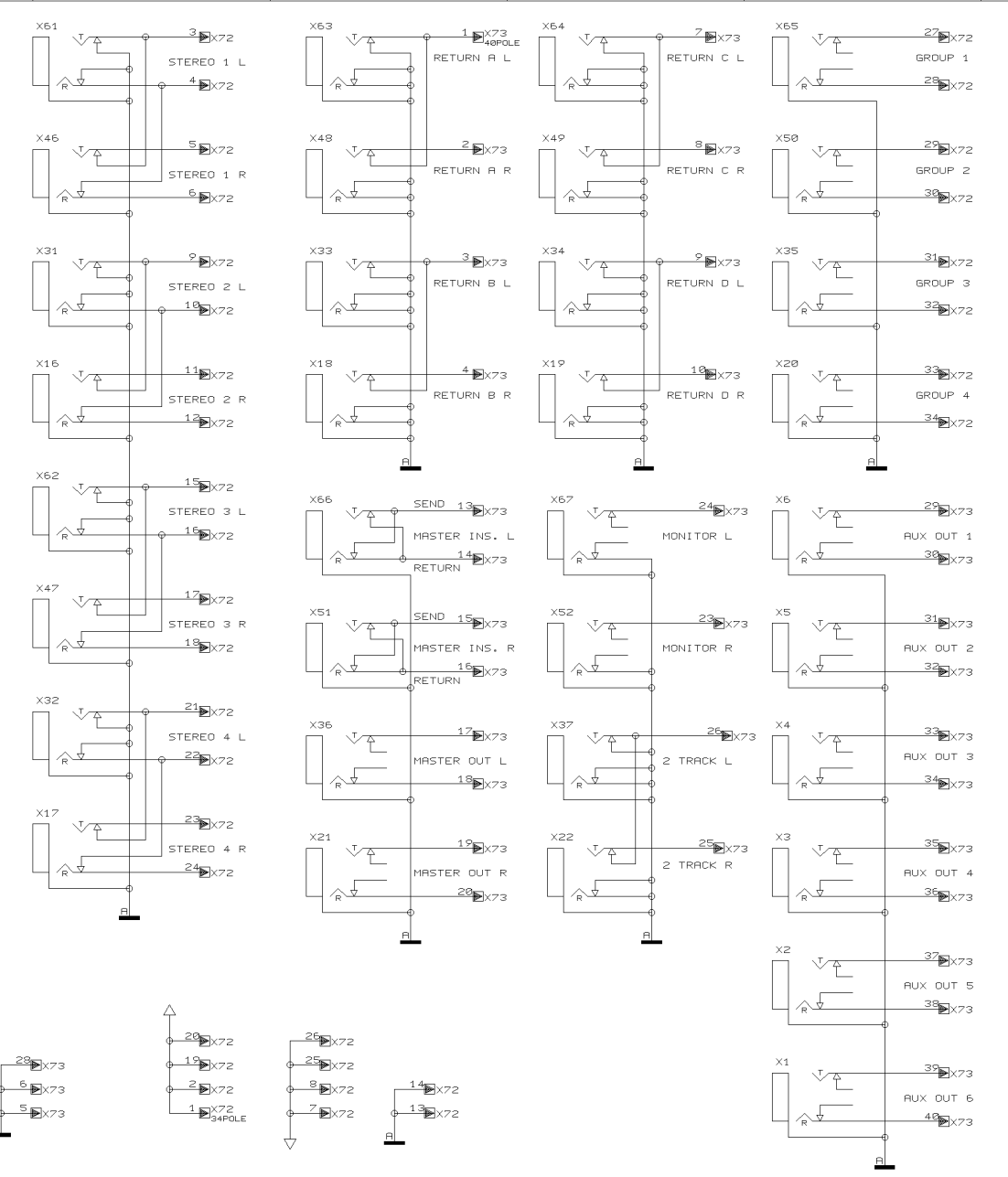
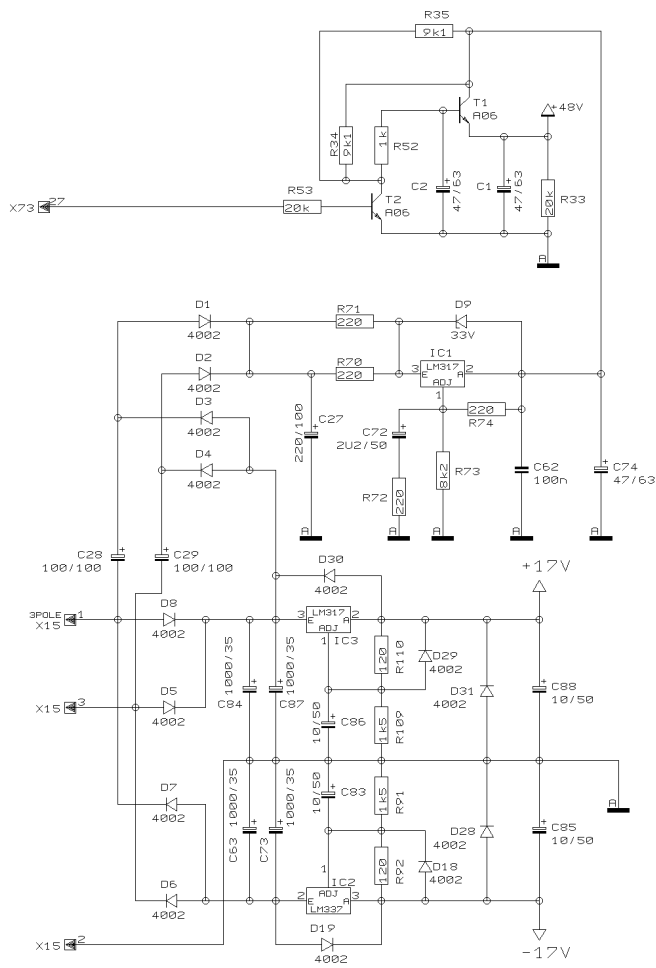


REVISIONS	E	
DRAWN	CHECKED	DATE 05.02. 1 15:45



PROJECT
2642-01
MIC/LINE CH. 5-8

SHEET 2 OF 3 SHEETS TOTAL



REVISIONS		
E		
DRAWN	CHECKED	DATE 05.02. 15:45


 Specialized Studio Equipment

PROJECT
 2642-01
 POWER SUPPLY & I/O
 SHEET 3 OF 3 SHEETS TOTAL