

The home of the turntable

THE VINYL ENGINE®

For more turntable manuals and setup information
please visit www.vinylengine.com

SONY®

FULL AUTOMATIC STEREO TURNTABLE SYSTEM

PS-4300



Owner's instruction manual

Mode d'emploi

Bedienungsanleitung

Manual de instrucciones

Before operating your new Sony turntable, please read this manual completely to become familiar with all its features and capabilities.

Keep this manual handy for future reference.

TABLE OF CONTENTS

Adaptation to the local mains supply	4
Parts identification	6
Notes on installation	7
Turntable assembly	7
Cartridge installation	8
Tonearm assembly and adjustment	8
Connections	10
Tips on record handling	10
Record playing	11
Tonearm drop-point adjustment	12
Maintenance	12
Repacking for shipment	13
Specifications	13
Trouble checks	14
Pitch control range adjustment	14

WARNING

- To prevent fire or shock hazard, do not expose the unit to rain or moisture.
- To avoid electrical shock, do not open the cabinet. Refer servicing to qualified personnel only.

PRECAUTIONS

- Check that the operating voltage for your unit is identical with that of your local power supply.
- Should any liquid or solid object fall into the cabinet, unplug the unit and have it checked by qualified personnel before operating it any further.
- Unplug the unit from the wall outlet if it is not to be used for an extended period of time. To disconnect the cord, pull it out by grasping the plug. Never pull it out by the cord.

Avant de faire fonctionner l'appareil, lisez attentivement en détail ce manuel pour devenir familier avec toutes les particularités et possibilités de votre nouvelle unité sonore Sony. Conservez ce manuel à portée de main pour toute référence ultérieure.

TABLE DES MATIERES

Adaptation au courant du secteur local	4
Emplacement des commandes	6
Remarques sur l'installation	15
Assemblage du plateau tourne-disques	15
Mise en place de la cellule	16
Assemblage et ajustements du bras de lecture	16
Connexions	18
Recommandations sur le maniement des disques	18
Ecoute du disque	19
Ajustement du point de chute du bras	20
Entretien	20
Remballage pour l'expédition	21
Spécifications	21
Dépannage	22
Ajustement de la gamme de réglage fin	22

AVERTISSEMENT

- Dans le but de prévenir les dangers d'incendie ou d'électrocution, éviter de placer l'appareil sous la pluie ou dans un endroit humide.
- Afin d'écartier tout danger d'électrocution, garder le cabinet fermé. Confier l'entretien de l'appareil uniquement à un personnel qualifié.

PRECAUTIONS

- Vérifier que la tension de fonctionnement de l'appareil soit identique à celle du secteur local.
- Si un matériau quelconque liquide ou solide, pénètre à l'intérieur du cabinet, débrancher le cordon, et faire vérifier l'appareil par un technicien compétent avant de le remettre en marche.
- Débrancher l'appareil de la prise du secteur lorsque le fonctionnement de l'appareil est interrompu pendant une longue période. Pour débrancher le cordon, le tirer par la fiche. Ne jamais tirer par le cordon lui-même.

Bevor Sie die Anlage in Betrieb nehmen, lesen Sie bitte diese Bedienungsanleitung vollständig durch, damit Sie mit den besonderen Einrichtungen und Möglichkeiten Ihrer neuen Sony-Klangeinheit vertraut werden.

Bewahren Sie diese Anleitung gut auf, um später jederzeit darin nachschlagen zu können.

INHALTSVERZEICHNIS

Spannungseinstellung	5
Bezeichnung der Teile	6
Hinweise zur Aufstellung	23
Zusammenbau des Plattenspielers	23
Einbau des Tonabnehmers	24
Zusammenbau und Justierung des Tonarmes	24
Anschlüsse	26
Behandlung von Schallplatten	26
Plattenspieler-Betrieb	27
Einstellung des Tonarmabsenkpunktes	28
Wartung und Pflege	28
Wiederverpacken zum Transport	29
Technische Daten	29
Störungsüberprüfungen	30
Einstellung des Bereichs für die Geschwindigkeitsfeinregulierung	30

VORSICHT

● Um die Gefahr eines elektrischen Schlags oder eines Brandes auszuschalten, setzen Sie das Gerät weder Regen noch extremer Feuchtigkeit aus.

● Um einen elektrischen Schlag zu vermeiden, darf das Gehäuse nicht geöffnet werden. Überlassen Sie jegliche Reparatur und Wartung nur qualifiziertem Personal.

ZUR BESONDERN BEACHTUNG

● Vergewissern Sie sich, ob die Betriebsspannung Ihres Gerätes mit der örtlichen Netzspannung übereinstimmt.

● Sollte Flüssigkeit oder ein Fremdkörper in das Geräteinnere gelangen, entfernen Sie alle Anschlüsse und lassen Sie das Gerät von einem Fachmann überprüfen, bevor Sie es weiter benutzen.

● Ziehen Sie den Netzstecker aus der Steckdose, wenn das Gerät für längere Zeit nicht benutzt wird. Halten Sie das Kabel immer am Stecker fest, wenn Sie es herausziehen. Ziehen Sie niemals am Kabel.

Antes de operar el Sony nuevo tocadiscos, lea por favor completamente este manual a fin de familiarizarse con todas las particularidades y capacidades.

Conserve este manual para las referencias futuras.

INDICE

Adaptación a la alimentación de energía local	5
Ubicación de los controles	6
Notas sobre la situación	31
Montaje del giradiscos	31
Instalación del cartucho	32
Armado y ajustes del brazo fonocaptor	32
Conexiones	34
Advertencias sobre el manejo de los discos	34
Reproducción de los discos	35
Ajuste del punto de caída del brazo fonocaptor	36
Mantenimiento	36
Reempaque para transporte	37
Características	37
Verificación de fallas	38
Controles de regulación fina de velocidad	38

CUIDADO

● Para evitar peligros de incendio o choque eléctrico, no exponga el aparato a la lluvia ni a humedad.

● Para evitar choques eléctricos, no abra la caja. Demande los servicios sólo al personal calificado.

PRECAUCIONES

● Compruebe que está idéntica la tensión de operación de su unidad con la tensión en su área local.

● Si líquidos u objetos sólidos cayeren dentro del aparato, desenchufe el aparato y haga que sea verificado por un personal calificado antes de usarlo nuevamente.

● Desconecte el aparato desde la tomacorriente de pared, cuando no vaya a ser usado durante un largo período de tiempo. Al desconectar el cordón, saque por el enchufe. Nunca saque por el cordón mismo.

ADAPTATION TO THE LOCAL MAINS SUPPLY

The PS-4300 comes in two types.

Type I operates on either 110, 127, 220 or 240 V ac~, and is supplied with a detachable power cord.

Type II operates on either 100, 120, 220 or 240 V ac with the permanently attached power cord.

Before connecting to mains supply, check that the voltage selector is set to your local mains supply.

If it is not the same, change the voltage selector setting as follows:

- ① Check that the unit is disconnected from the mains supply.
- ② Remove the cover of the selector.

Loosen the smaller screw on the cover but do not remove it from the cabinet. Remove the other screw on the cover. Then turn the cover around the smaller screw so that you can unplug the selector.

③ Pull out the voltage selector plug and reinsert it so that the top arrow mark of the plug points to the proper voltage marking.

- ④ After changing the voltage, reset the cover.

A line frequency change is not necessary since your turntable system is furnished with a dc servo-controlled motor.

For the customers in the United Kingdom

WARNING: THIS APPARATUS MUST BE EARTHED AT THE TERMINALS IN YOUR 3-PIN PLUG AS FOLLOWS:

IMPORTANT: The wire in this mains lead are coloured in accordance with following code:

Green-and-yellow: Earth (safety earth)

Blue: Neutral

Brown: Live

As the colours of the wires in the mains lead of the apparatus may not correspond with the coloured markings identifying the terminals in your plug, proceed as follows:

The wire which is coloured green-and-yellow must be connected to the terminal in the plug which is marked with the letter E or by the earth symbol \equiv or coloured green or green-and-yellow.

The wire which is coloured blue must be connected to the terminal which is marked with the letter N or coloured black.

The wire which is coloured brown must be connected to the terminal which is marked with the letter L or coloured red.

ADAPTATION AU COURANT DU SECTEUR LOCAL

Le PS-4300 existe en deux versions.

Type I: fonctionne sur 110, 127, 220 ou 240 V CA~, et fourni d'un cordon d'alimentation détachable.

Type II: fonctionne sur 100, 120, 220 ou 240V CA, et équipé du cordon d'alimentation fixé.

Avant de connecter, vérifier que le sélecteur de tension a bien été ajusté à la tension du secteur local. Si la tension n'est pas la même, réajuster comme suit:

- ① Vérifier que le cordon d'alimentation soit bien débranché.
- ② Retirer le couvercle du sélecteur.

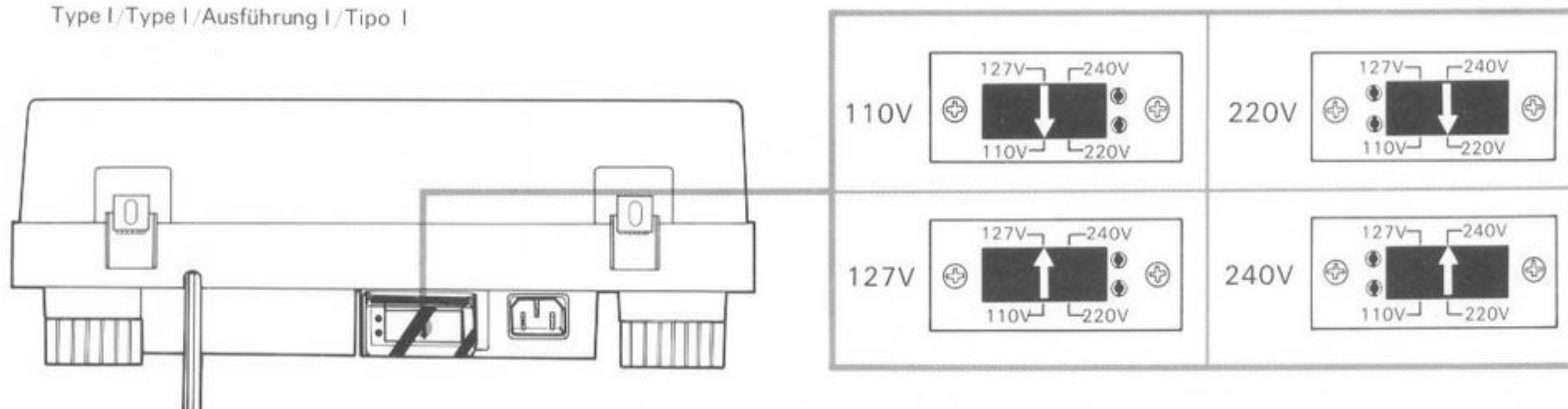
Desserrer, sans l'enlever, la petite vis du couvercle. Enlever l'autre vis du couvercle. Faire tourner le couvercle autour de la petite vis pour avoir accès au sélecteur de tension.

③ Retirer le sélecteur et le remettre en place de telle façon que la flèche soit dirigée vers le chiffre de la tension adéquate.

- ④ Remettre le couvercle en place après la modification.

L'adaptation du PS-4300 à la fréquence du secteur n'est pas nécessaire. Il est équipé d'un servo-moteur contrôlé à courant continu.

Type I/Type I/Ausführung I/Tipo I



SPANNUNGSEINSTELLUNG

Der PS-4300 gibt es in zwei Ausführungen.

Ausführung I wird an 110, 127, 220 oder 240 V Wechselspannung betrieben, und ist mit einem abnehmbaren Netzkabel versehen.

Ausführung II wird an 100, 120, 220 oder 240 V Wechselspannung bei fest installiertem Netzkabel betrieben.

Prüfen Sie vor dem Anschluß an Stromnetz bitte nach, ob der Spannungswähler richtig auf die örtliche Netzspannung eingestellt ist.

Wenn die Voltzahl nicht übereinstimmt, muß der Spannungswähler folgendermaßen umgestellt werden.

① Vergewissern Sie sich, daß der Netzstecker des Gerätes aus der Steckdose gezogen ist.

② Nehmen Sie die Abdeckung des Wählers ab.

Lockern Sie die kleine Schraube auf der Abdeckung, aber drehen Sie sie nicht ganz heraus. Ziehen Sie die andere Schraube heraus. Drehen Sie dann die Abdeckung um die kleinen Schraube, um den Wähler umstecken zu können.

③ Ziehen Sie den Spannungswähler heraus und setzen Sie ihn so wieder ein, daß die obere Pfeilmarkierung des Steckers auf die richtige Voltzahl zeigt.

④ Bringen Sie nach dem Umstellen des Wählers die Abdeckung wieder an.

Eine Anpassung des Gerätes an die Netzfrequenz entfällt, da Ihr Plattenspieler mit einem servogesteuerten Gleichstrommotor betrieben wird.

ADAPTACION A LA ALIMENTACION DE ENERGIA LOCAL

El PS-4300 se representa en dos tipos.

Tipo I funciona a cualquiera de las tensiones de 110, 127, 220 ó 240 V C. A. El cordón desprendible está suministrado.

Tipo II funciona a cualquiera de las tensiones de 100, 120, 220 ó 240 V C. A. con el cordón permanentemente fijado al aparato.

Antes de conectar el aparato a la tomacorriente, verifique que el selector de tensión está ajustado a la energía local en su área. Si no está ajustado, cambie el ajuste del selector como sigue:

① Verifique usted que el aparato está desconectado desde la tomacorriente.

② Remueva la cubierta del selector.

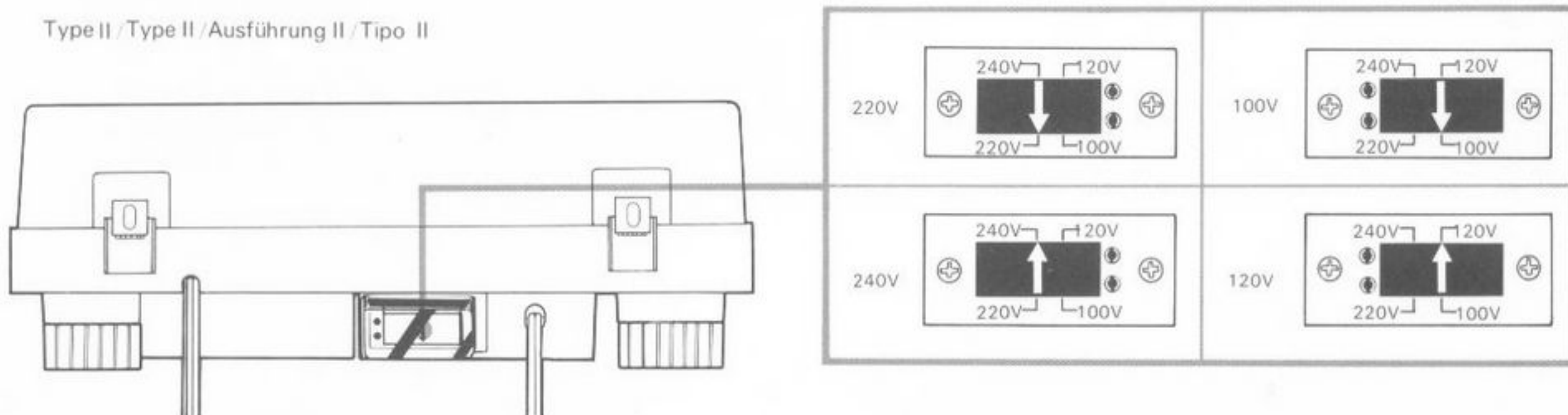
Afloje el tornillo más pequeño que hay en la cubierta, pero no lo remueva del estuche-gabinete. Remueva el otro tornillo de la cubierta. Entonces, gire la cubierta alrededor del tornillo más pequeño de suerte que se pueda desenchufar el selector.

③ Tire del enchufe de selector de tensión de C. A. y reinsértelo, de forma que la marca de flecha del enchufe apunte al marcado de la tensión conveniente.

④ Después de cambiar la tensión, reinstale la cubierta.

No es necesario el cambio de la frecuencia de la línea, ya que este sistema de giradiscos tiene un motor de C.C. servo-controlado.

Type II / Type II / Ausführung II / Tipo II



PARTS IDENTIFICATION

Your turntable must be assembled as described on page 7-10 before it can be used for record playing. The picture below shows the appearance of the assembled turntable.

EMPLACEMENT DES COMMANDES

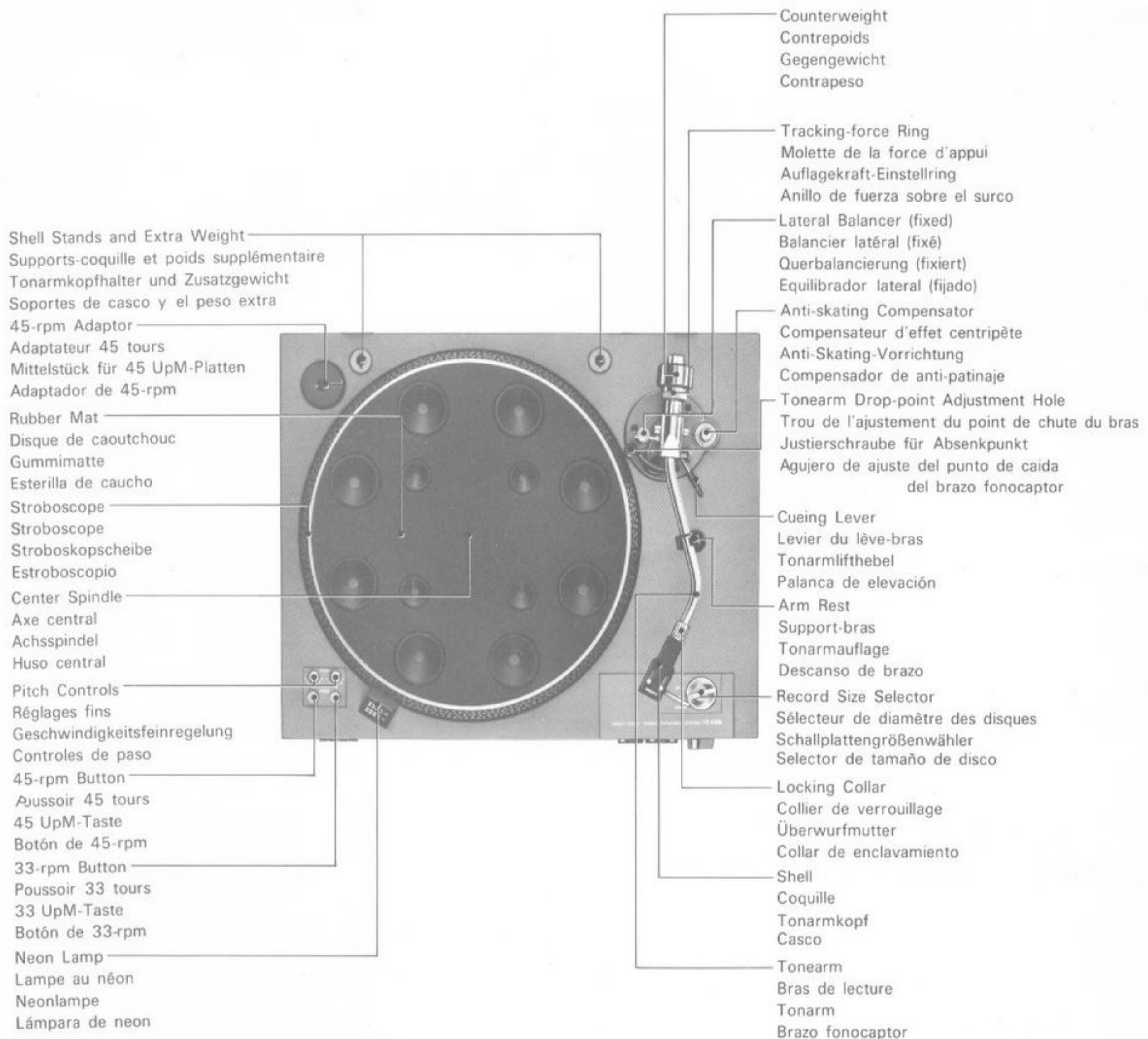
Votre table de lecture doit être assemblée comme indiqué sur les pages 15 à 18, avant de l'utiliser pour l'écoute des disques. Le dessin ci-dessous montre l'emplacement des commandes et des pièces d'assemblage.

BEZEICHNUNG DER TEILE

Ihr Plattenspieler muß wie auf Seite 23-26 beschrieben zusammengebaut werden, bevor er verwendet werden kann. Die nachfolgende Abbildung zeigt den zusammengebauten Plattenspieler.

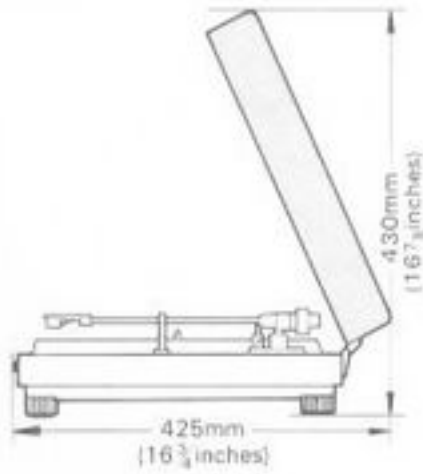
UBICACION DE LOS CONTROLES

Su giradiscos debe ser montado como se describe en la página 31 antes de que pueda usarse para reproducir los discos. La siguiente ilustración muestra la apariencia del tocadiscos ya armado y montado.



NOTES ON INSTALLATION

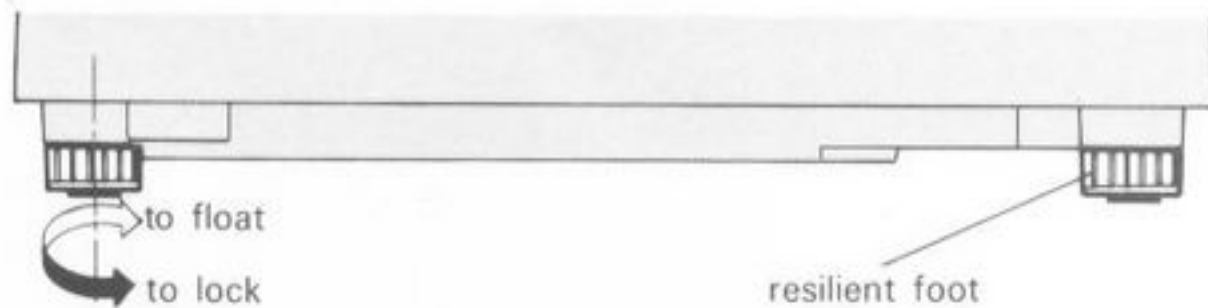
- Place the turntable on a level surface.
- Allow 10 cm (4 inches) clearance behind the unit so that the cover can be opened.



● The turntable has integral bases supported by resilient feet that isolate the mechanism from external shock and vibration. Float the turntable horizontally by turning the feet counterclockwise.

However, if placing the turntable on a soft surface, turn the feet clockwise and lock them, although the cushioning effect will be eliminated in the locked position.

These feet are also adjustable in height for leveling the turntable. For placing it on an uneven surface, turn each foot counterclockwise until the unit is level.



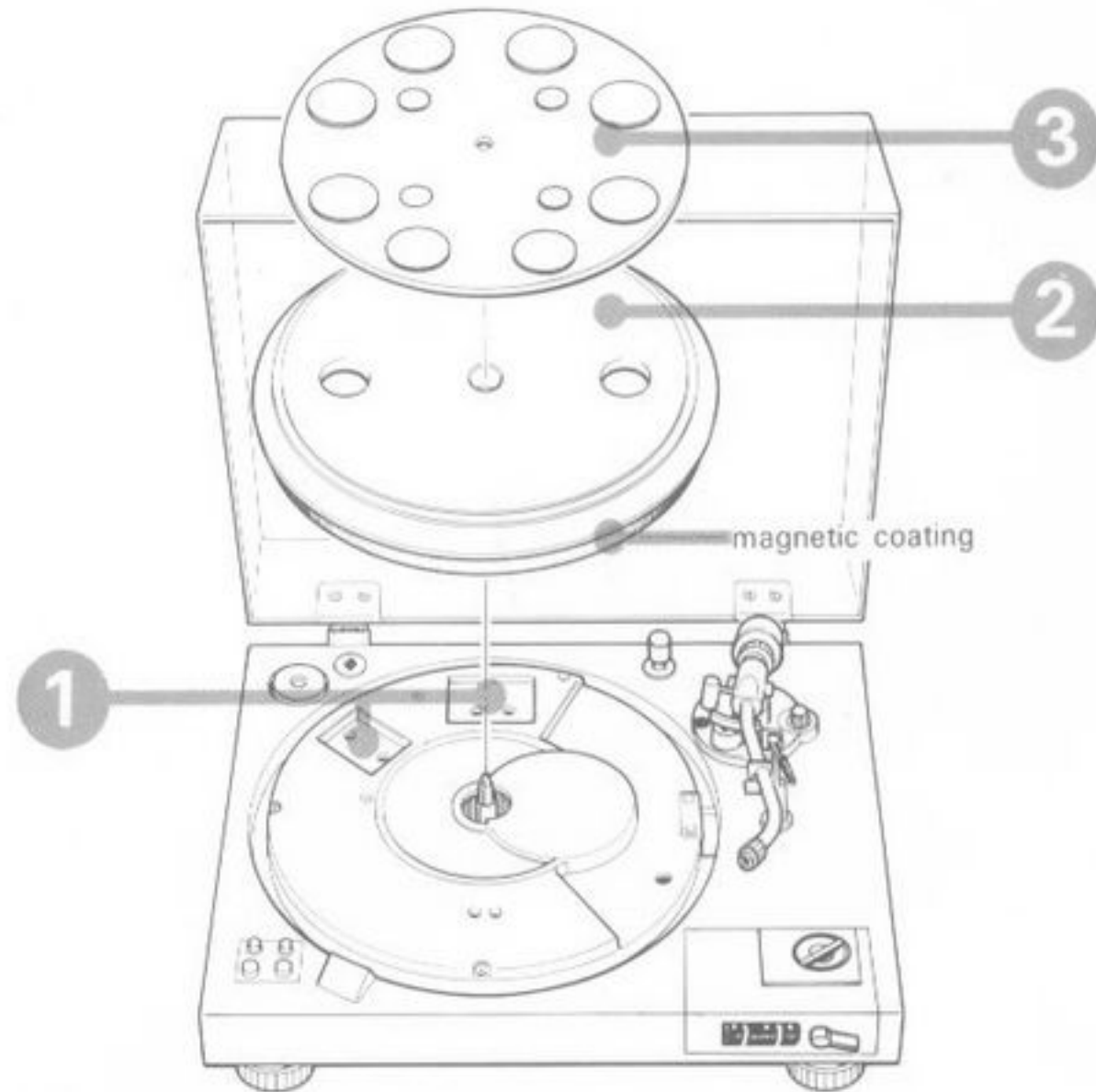
- Avoid placing the unit near electrical appliances (such as a television, hair dryer, or fluorescent lamp) which may cause hum or noise.
- Avoid any vibration (such as from speakers, slamming of doors, etc.).
- Keep the unit away from direct sunlight, extremes of temperature, or excessive dust and moisture.

TURNTABLE ASSEMBLY

Do not connect the power cord or the connecting cords until after finishing the assembly.

Remove all packing material and clean the cabinet.

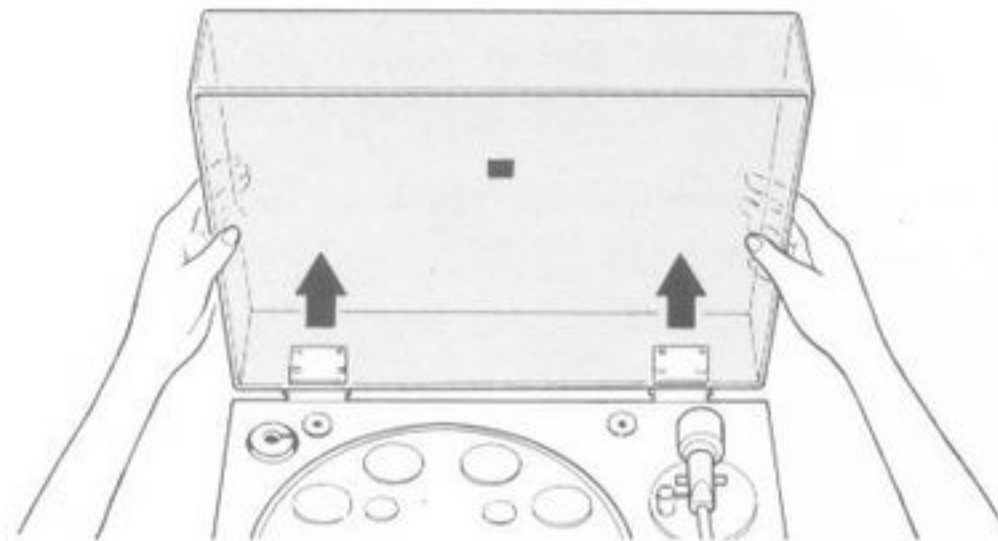
Check that the resilient feet are released.



- 1 Remove the two red-painted transit screws. Store them in the holes on the caution label. (These screws will be required at the time of repacking. See the "Repacking instructions" on page 13.)
- 2 Carefully place the platter on the motor board by matching the center hole and the center spindle.
 - Do not touch the magnetic coating with your fingers or tools to avoid scratching it and damaging the electronic speed control system.
- 3 Place the Rubber Mat on the Platter.
 - Never connect the power cord without the Platter installed. Otherwise the motor will run at an uncontrolled speed.
 - Be careful that no foreign objects lodge under the Platter.
 - Do not attempt to rotate the Platter counterclockwise by hand.
 - Save the packing box and materials for possible future use.

To remove the dust cover

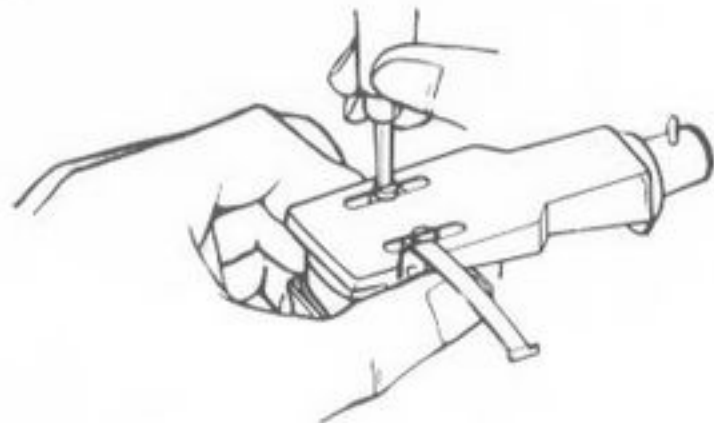
Open the dust cover and slide it backwards by holding with both hands.



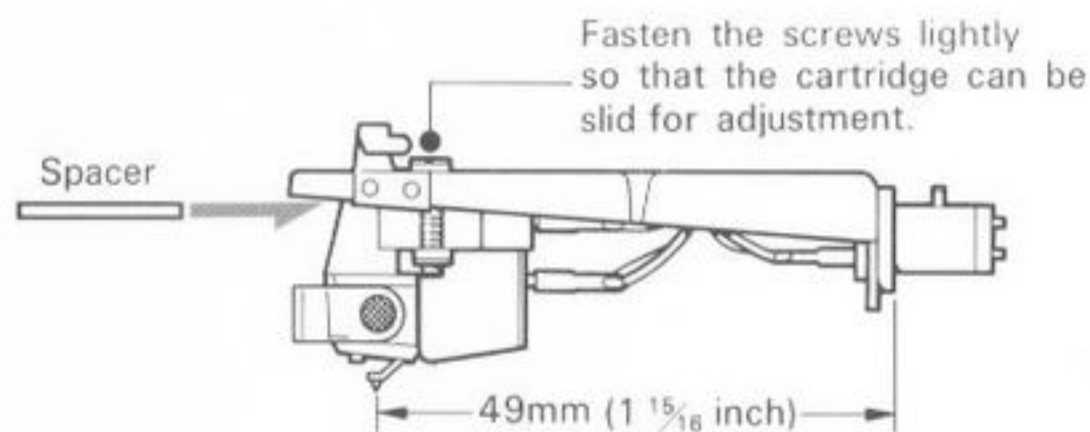
CARTRIDGE INSTALLATION

A cartridge weighing between 4 - 10 g can be mounted with the supplied Shell (7.5 g). Heavier cartridges from 10 - 15.5 g can be mounted using the Extra Counterweight (supplied). If another shell is to be installed, use one whose weight and height are the same as that of the supplied Shell.

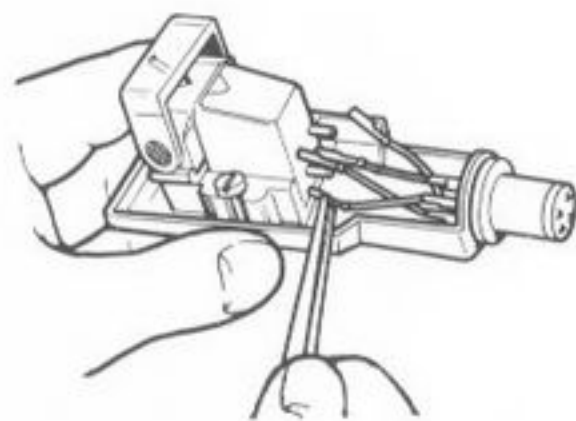
- 1 Select the most suitable length of cartridge mounting screws according to the height of your cartridge. (Three pairs of screws of various lengths are supplied.)
- 2 Install the cartridge with the selected screws so that the distance between the shell end and the stylus tip is 49 mm (1 15/16"). The temporary overhang adjustment is then complete. More precise adjustment should be made later.



● If the front edge of the Shell blocks the cartridge, and the required distance cannot be obtained, insert the supplied spacer under the Shell.



- 3 Connect the lead wires of the Shell to the corresponding pins on the cartridge.



Wires	Cartridge pins
White	L (left channel signal)
Blue	LE or G (left channel ground)
Red	R (right channel signal)
Green	RE or G (right channel ground)

● Shell stands are provided on the base of the turntable for an extra mounted cartridge.

TONEARM ASSEMBLY AND ADJUSTMENT

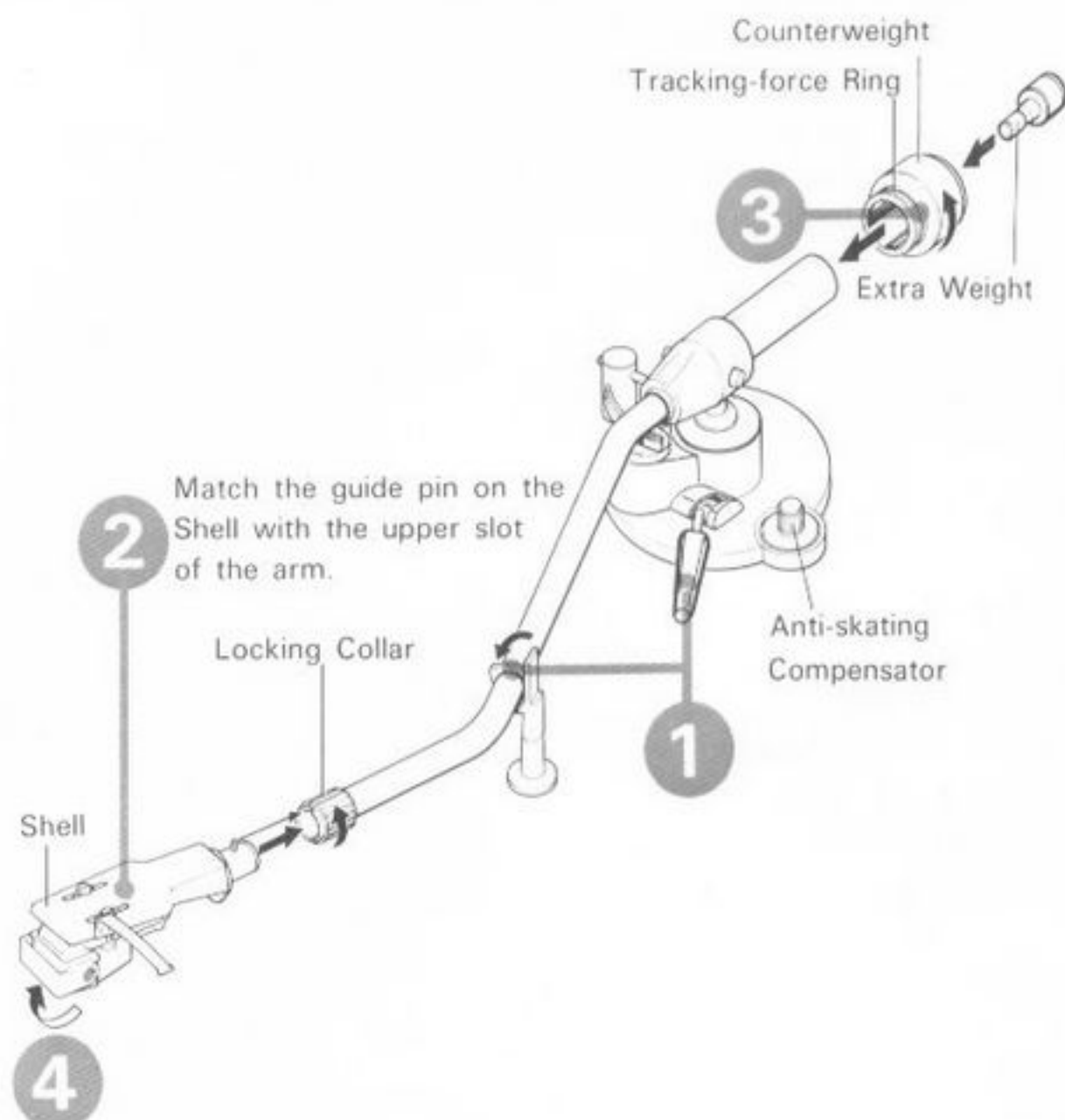
Do not connect the power cord or the connecting cords until the assembly and adjustments are complete.

The following procedures should be performed on a level surface. Be careful not to damage the stylus tip while making adjustments.

When a cartridge is replaced, readjustments are required.

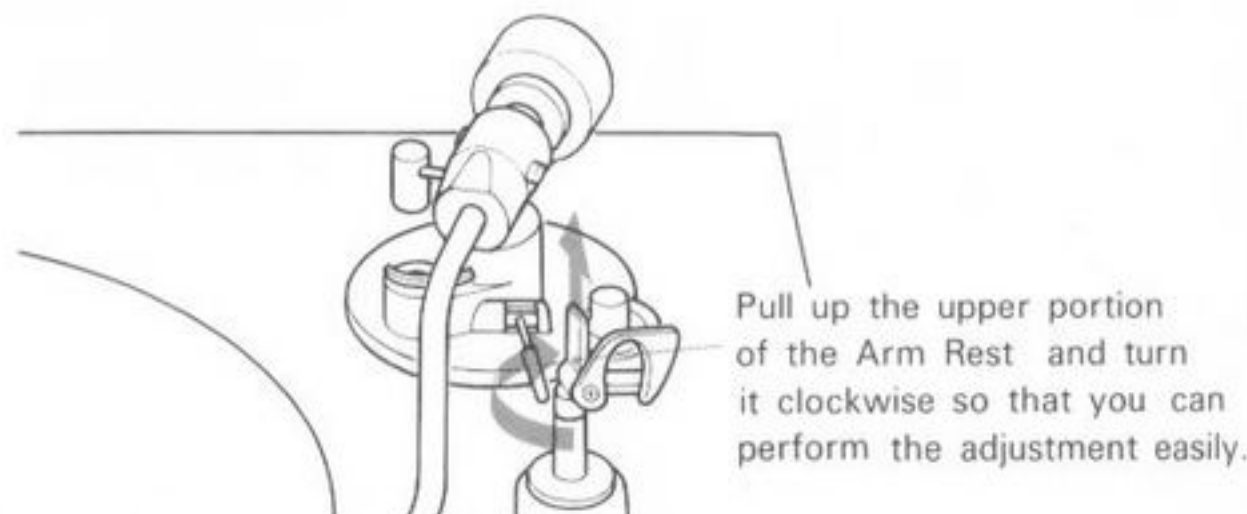
Preparation

- 1 Secure the Tonearm to the Arm Rest and lower the Cueing Lever.
- 2 Plug the Shell into the Tonearm and turn the Locking Collar counterclockwise until the Shell is firmly locked.
- 3 Insert and turn the Counterweight counterclockwise several turns. (The Tracking-force Ring turns simultaneously.)
- If the cartridge weight is from 10 - 15.5 g, add the supplied Extra Weight at the arm pipe end.
- 4 Remove or lift up the stylus guard, if fitted.

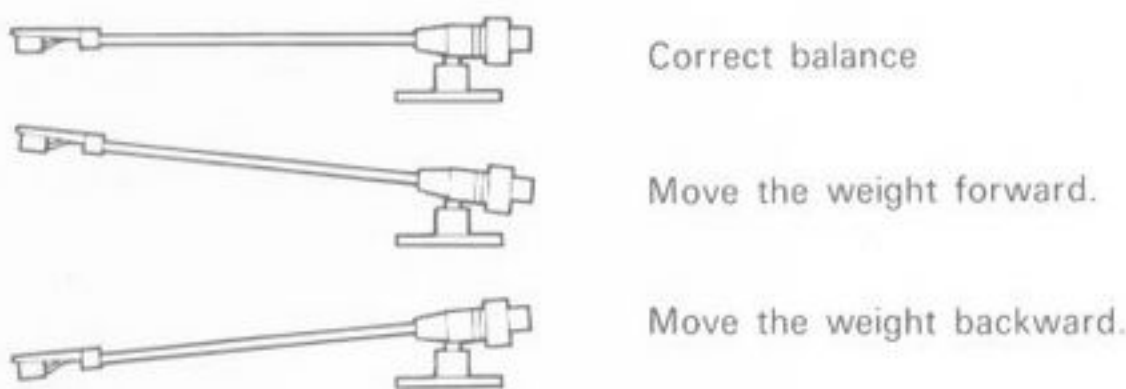
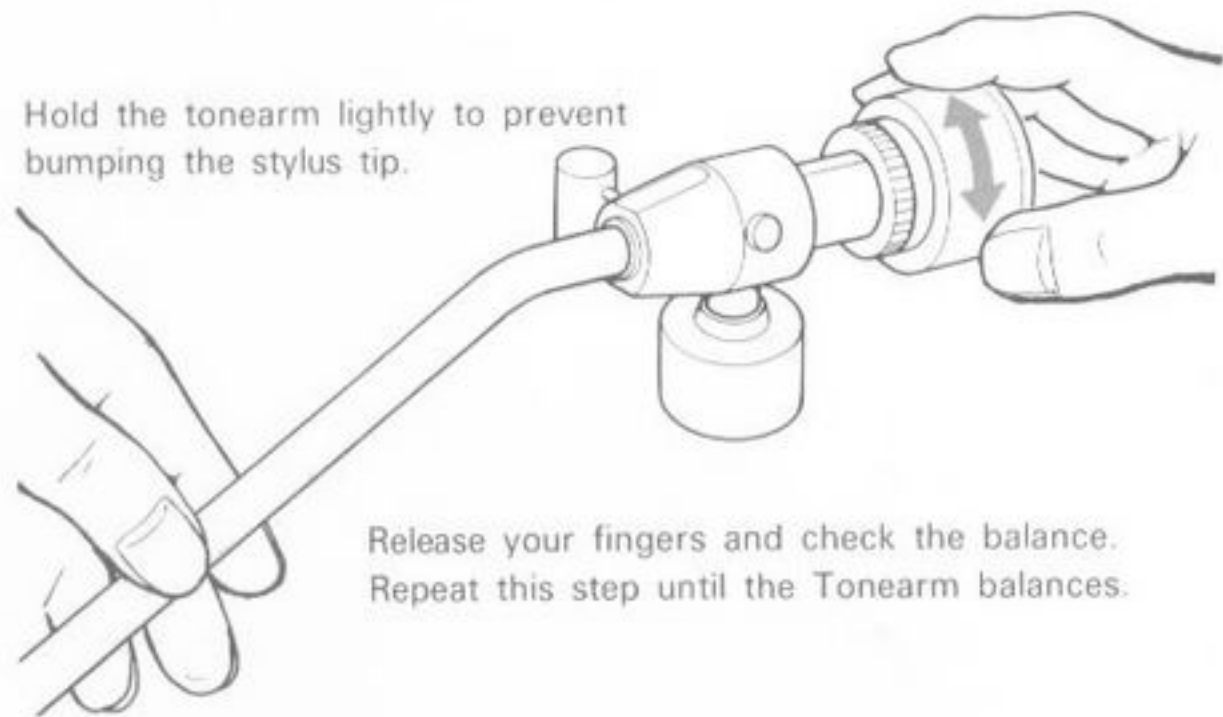


Longitudinal balance adjustment *1

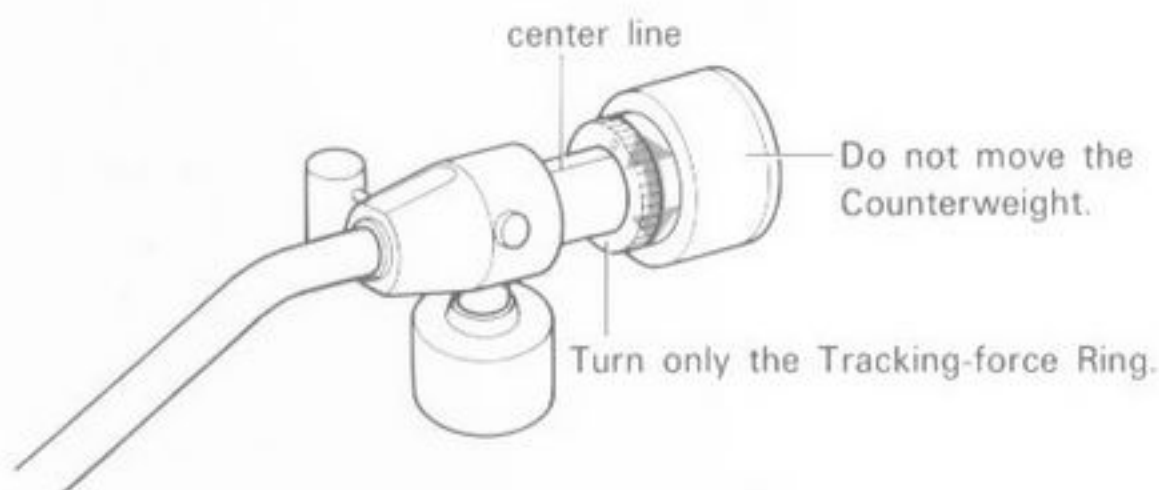
- 1 Be sure that the Anti-skating Compensator is set at "0". Release the Tonearm from the Arm Rest.



② Turn the Counterweight as required until the Tonearm is in the horizontal balanced position. (The Tracking-force Ring turns simultaneously.)



③ While holding the Counterweight at the balanced position, separately turn the Tracking-force Ring until the "0" indication meets the center line on the Tonearm. Recheck the balance.



④ Pull up the Arm Rest and turn it counterclockwise so that the Arm Rest returns to its original position. Secure the Tonearm to the Arm Rest again.

Tracking-force adjustment *2

Turn the Counterweight counterclockwise so that the recommended tracking-force figure for your cartridge is aligned with the center line on the Tonearm. The maximum tracking force available is 3 grams.

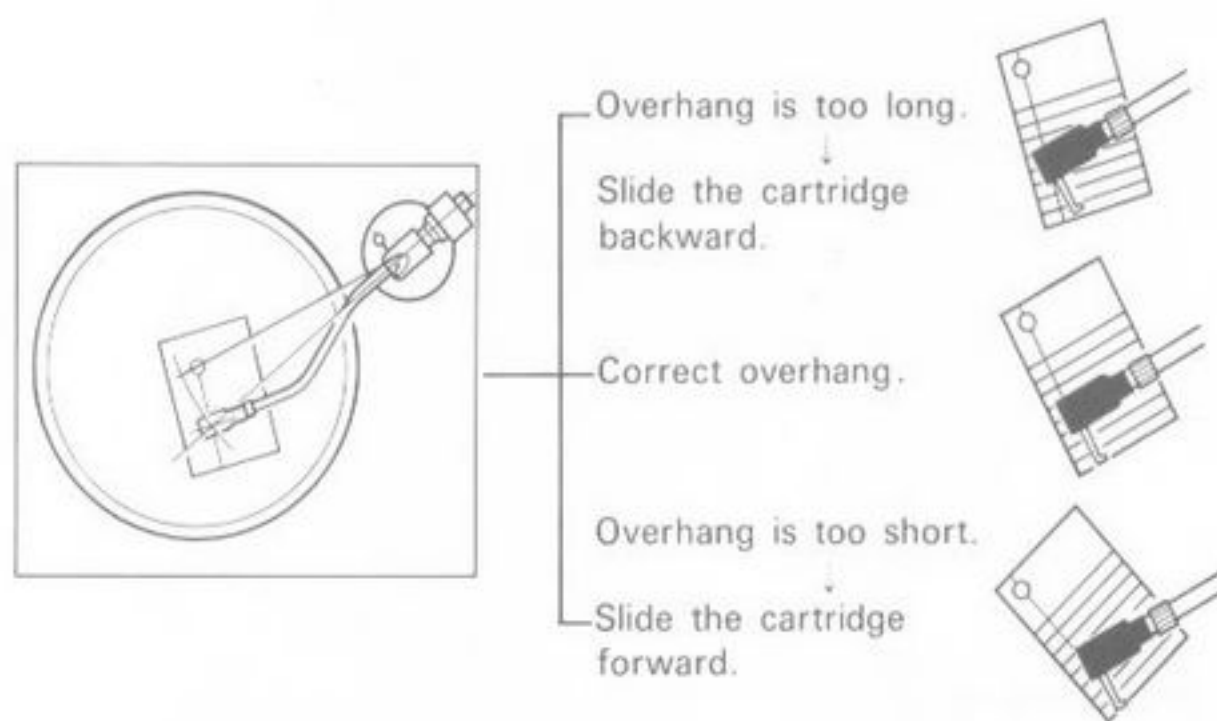


Overhang check *3

Check that the stylus overhang is set correctly. Use the Alignment Protractor supplied.

For this adjustment, connect the power cord and turn on the POWER switch.

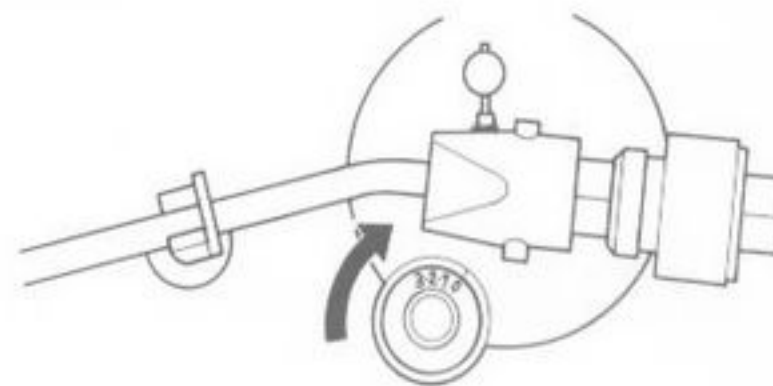
- ① Place the hole of the Alignment Protractor over the Center Spindle.
- ② Set the Record Size Selector to the MANUAL position and lift the Cueing Lever up.
- ③ Touch the metallic portion of the START/STOP Button. After about three times rotation of the turntable, turn off the POWER Switch.
- ④ Bring the Tonearm above the cross point of the two fine lines, and carefully lower the stylus on the cross point with the Cueing Lever.
- ⑤ Check to see that the Shell is parallel to the thick lines drawn on the Alignment Protractor as shown in the center illustration. If they are parallel, the stylus overhang is set correctly.



- ⑥ If the Shell is not parallel, readjust the stylus overhang.
 - 1) Loosen the cartridge mounting screws and slide the cartridge.
 - 2) Re-tighten the screws.
 - 3) Recheck the balance and tracking-force adjustments.

Anti-skating compensation *4

Turn the Anti-skating Compensator so that the guide mark meets the tracking-force value used.



After the adjustments are complete, install the stylus guard.

*1 Longitudinal balance adjustment

While playing the record, the weight of the tonearm is supported by the arm pivot and only tracking force is applied to the stylus tip. To accomplish this, the tonearm must first be balanced horizontally, with the tracking-force indicator set at "0".

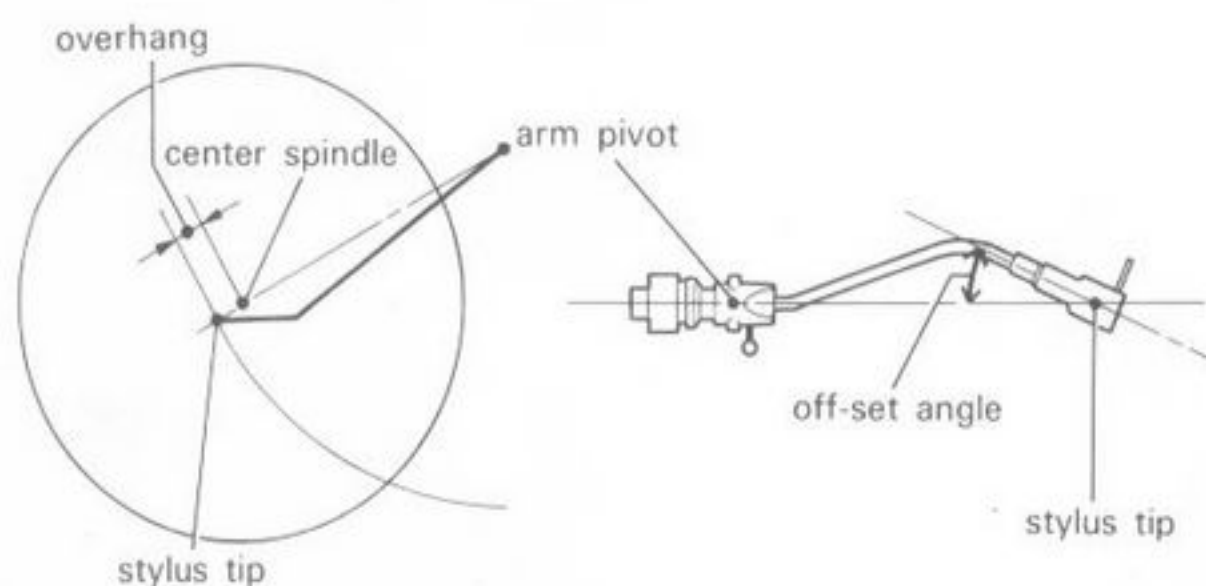
*2 Tracking force

After the longitudinal balance adjustment, apply the recommended tracking-force weight so that the stylus tip will trace the music groove accurately.

*3 Overhang

In record playing, because of the pivoted design of the tonearm, the stylus tip can be perfectly tangent to the music groove at only one point of the record. At all other portions of the record, there is a slight deviation of the stylus from tangency. This is called the tracking error, and introduces minute errors in the amplitude and timing of the reproduced signal as compared to the original, and other forms of distortion which may be introduced depending on the cartridge and stylus design.

Tracking error is minimized by the selection of an optimum "off-set" angle and "overhang" distance. Overhang is the distance between the stylus tip and the center spindle. This overhang adjustment is made at the time of installing a particular cartridge, while the off-set angle is fixed by the manufacturer of the tonearm.



*4 Anti-skating compensation

While playing the record, the frictional force between the record groove and the stylus produces a force that tends to drive the tonearm toward the center of the record. The anti-skating compensation cancels the above mentioned force, and is applied in accordance with the tracking force.

Incorrect anti-skating compensation results in sound distortion and uneven wear on both the stylus and the record.

TIPS ON RECORD HANDLING

Before playing

● Clean the stylus, using a soft brush (stylus brush, artist's paint brush, etc.). Brush the stylus from back to front. Never clean the stylus with your finger tip.

● For routine cleaning of records, the use of a barely damp soft cloth (gauze, etc.) or a fluid type cleaner will be effective. If a spray type record cleaner is used, make sure that the cleaner has dried completely before playing the records. Record playing before the fluid has dried may damage the record.

It is a good idea to clean the record again before putting it away.

● Handle a record by its edges and don't touch the music grooves. Finger prints on the record surface may induce an accumulation of dust, resulting in impaired tone.

When record playing

● It is recommended that you reduce the amplifier volume before you lower the tonearm onto the record.

● While the turntable is energized, don't attempt to stop or reverse the turntable by hand.

● During play, be sure to close the dust cover. Don't place anything on the dust cover.

● While playing, never attempt to move the turntable or touch the tonearm.

After playing

● Avoid exposing records to any source of heat, such as direct sunlight, a hot-air duct, etc.

Store records vertically without applying any pressure or inclining to either side. This will minimize any warpage.

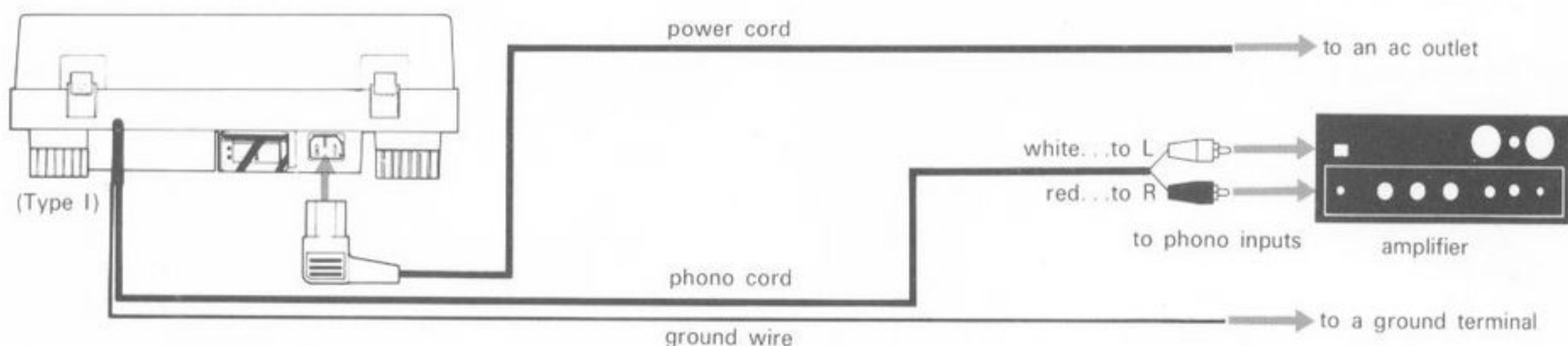
● When not using the turntable close the dust cover.

Other precautions

● Don't put anything but records on a turntable.

● Don't place anything but the spare cartridge and 45-rpm Adaptor on the cabinet.

CONNECTIONS



● When connecting to an accessory ac outlet on the amplifier, use an unswitched type outlet.

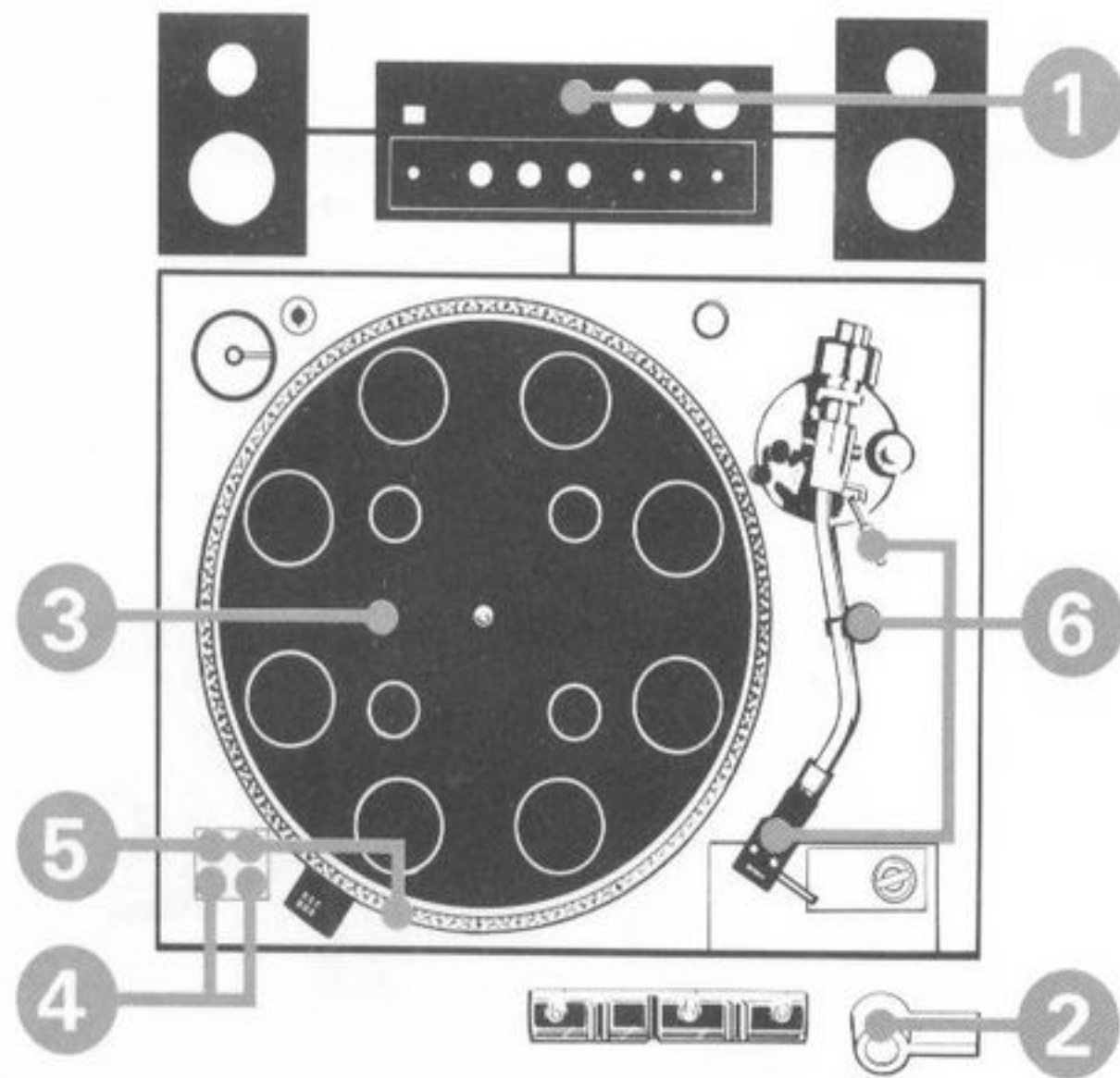
● When using the detachable power cord for the Type I turntable, first connect it to the AC INPUT of the turntable and then to the ac outlet of the amplifier.

● Check that the phono cord and power cord are not caught under any foot of the cabinet.

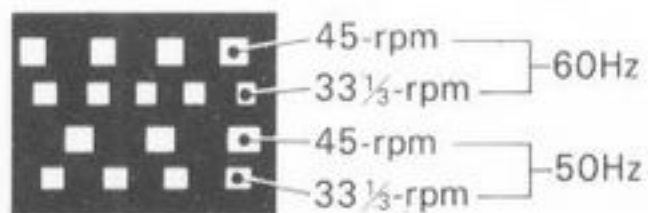
● Leave a little slack in the connecting cord to allow for inadvertent shock or vibration.

RECORD PLAYING

PREPARATION



- ❶ Lower the amplifier volume. Turn on the amplifier and set the amplifier input selector to PHONO.
- ❷ Turn on the POWER Switch (the Neon Lamp for the Stroboscope will light up.)
- ❸ Place a record on the turntable.
For 17 cm (7") records, put the 45-rpm adaptor (supplied) over the center spindle. If an adaptor other than the one supplied is used, the automatic sensing device of the tonearm may not operate accurately.
- ❹ Push either the "33" or "45"-rpm Button according to the record speed.
- ❺ Adjust the Pitch Control.
1) Set the Record Size Selector to MANUAL position.
2) Touch the metallic portion of the START/STOP Button. The Start Lamp will light up, and the turntable will start rotating.
3) Looking at the Stroboscope, adjust the speed with the Pitch Control until the pattern appears stationary.
For a 60 Hz power line frequency area, use the upper two lines, and for a 50 Hz area, the lower two lines.



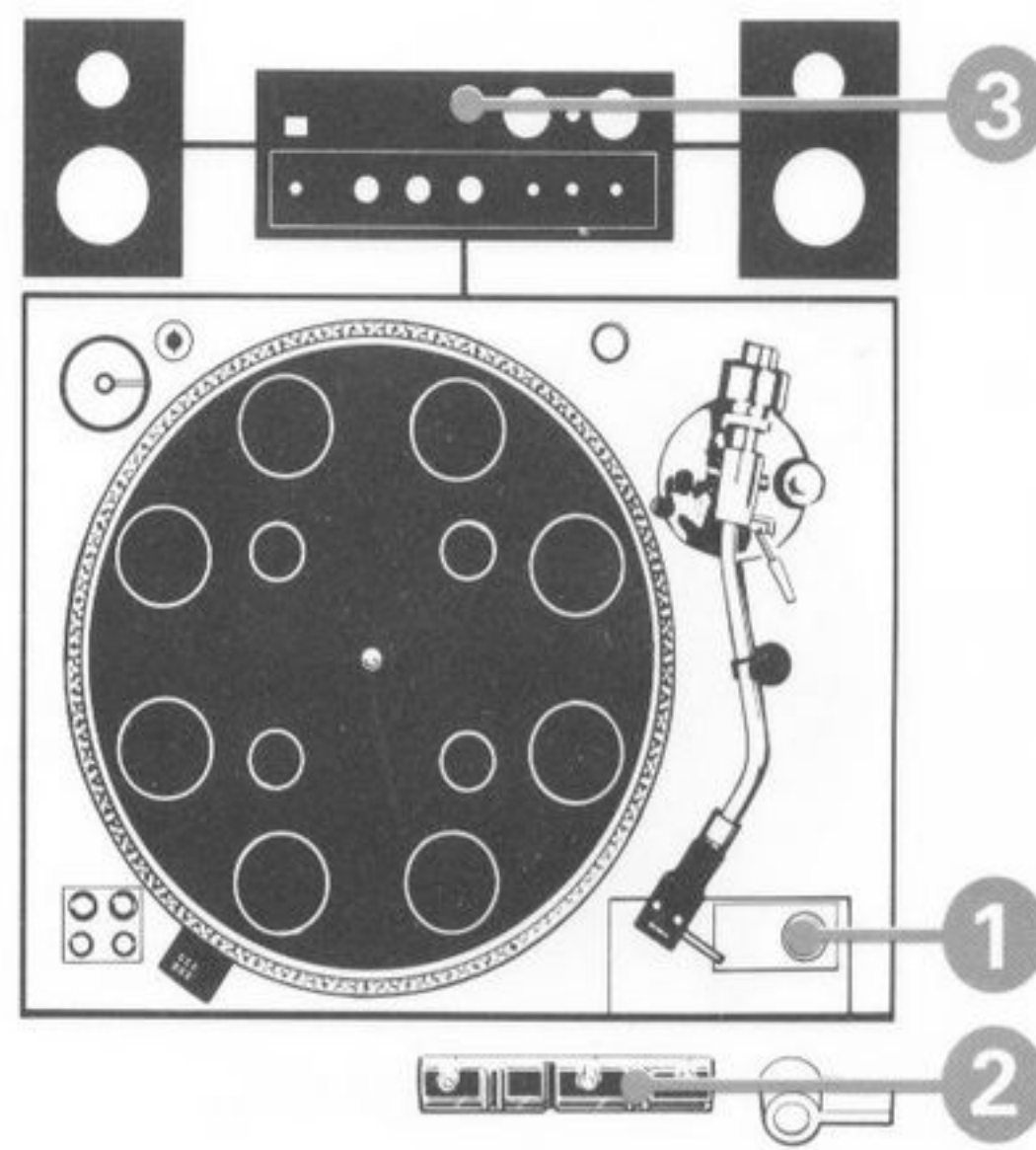
If the pattern moves to the right... Turn the control in the "F" (fast) direction.

If the pattern moves to the left... Turn the control in the "S" (slow) direction.

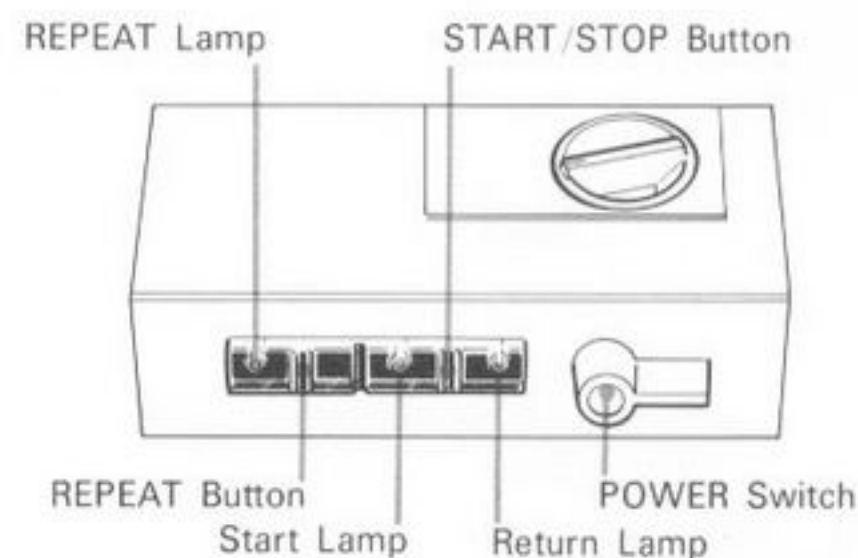
- 4) Touch the START/STOP Button again. The Return Lamp will light up, and the turntable will stop.
- ❻ Remove the stylus guard and release the clasp of the Arm Rest. Be sure to lower the Cueing Lever.

● Be sure to look at the indicator lamps to find out what operating mode the turntable is in, because each time a function button is touched, the unit will activate or release.

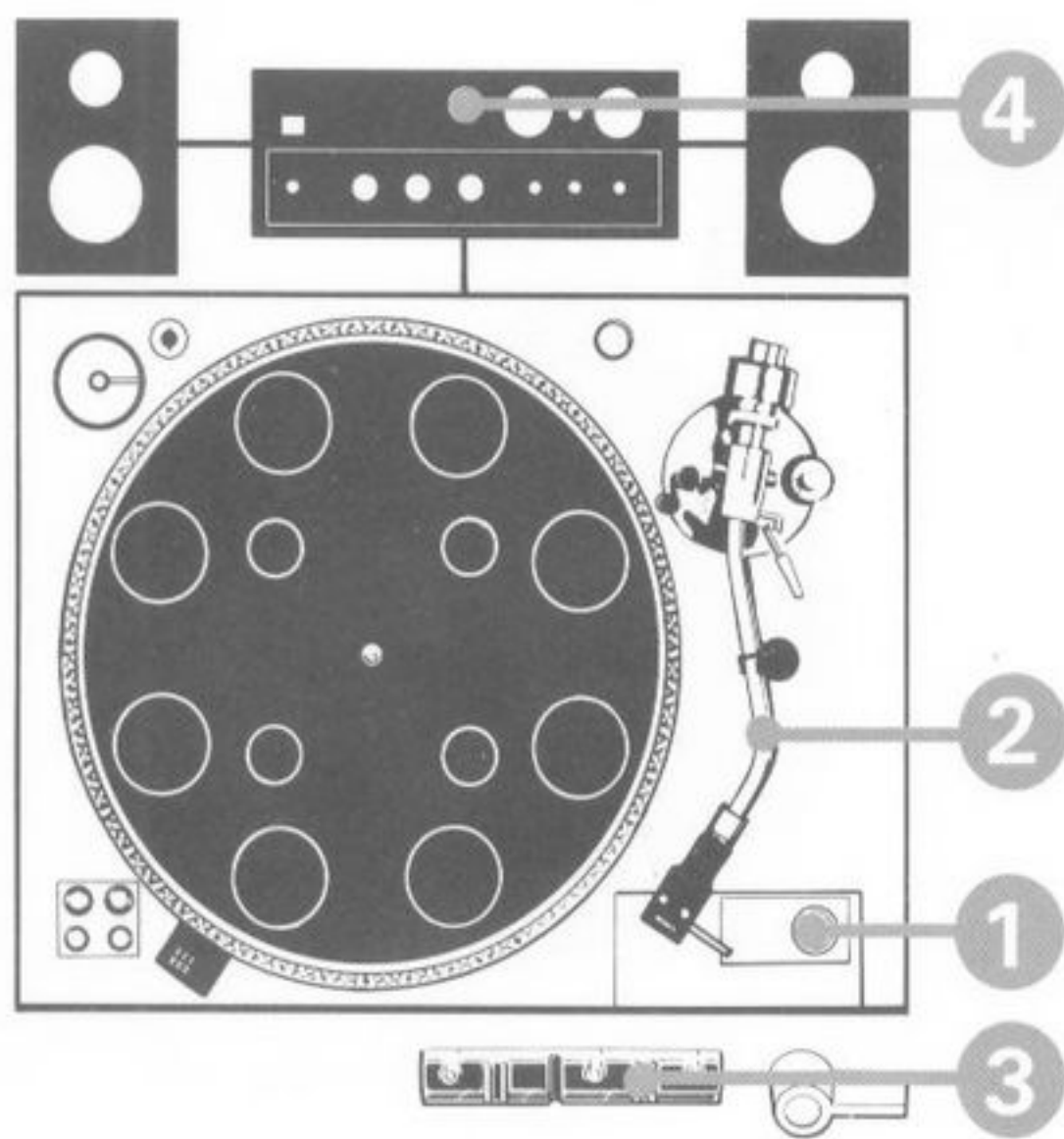
AUTOMATIC PLAYING



- ❶ According to the record size, select the correct position of the Record Size Selector.
Be sure that the setting of the Record Size Selector matches the record size. If not, the tonearm may lower where the record does not exist and the stylus tip may be damaged.
- ❷ Touch the metallic portion of the START/STOP Button, and the Start Lamp will light up. The tonearm will move automatically and lower itself onto the record. The play will begin.
- ❸ Adjust the sound level, stereo balance and tone quality of the amplifier according to your preference.
- ❹ After playing, the tonearm will return automatically to the Arm Rest. To stop during play, touch the START/STOP button. The Return Lamp will light up, and the tonearm will return to the rest.
- ❺ Turn off the POWER Switch after the tonearm returns fully to the Arm Rest. If the POWER Switch is turned off in the midst of the return operation, the unit will not start correctly the next time.



MANUAL PLAYING



- 1 Set the Record Size Selector to the MANUAL position.
- 2 Bring the tonearm to the lead in groove of the record or to the point where you wish to listen. (This can be at any point on the record.)
- 3 Touch the START/STOP Button. The turntable will start rotating and the tonearm will automatically lower itself onto the record.
- 4 Adjust the sound level, stereo balance and tone quality of the amplifier according to your preference.
- 5 After playing, the tonearm returns automatically to the rest. To stop during play, touch the START/STOP Button. The Return Lamp will light up and the tonearm will return to the Arm Rest.
- 6 Turn off the POWER Switch after the tonearm has fully returned to the Arm Rest.

● If you bring the tonearm to the label of the record while the turntable is rotating, the tonearm may return by the automatic return mechanism.

REPEAT PLAYING

To repeat the same record, touch the REPEAT Button while the record is on automatic play. The REPEAT Lamp will light up and the unit will repeat playing.

The repeat function can also be activated while the Return Lamp is lit. However, it will not activate when the playing is stopped with the STOP Button.

To stop the repeat playing, touch the REPEAT Button again, and the REPEAT Lamp will turn off. After the record is played, the turntable will stop automatically.

To stop during play, touch the START/STOP Button.

● When the Record Size Selector is set to MANUAL, the repeat mechanism will not operate.

ONEARM DROP-POINT ADJUSTMENT

At the factory, the tonearm has been adjusted to have the correct drop point in the automatic playing mode.

If this needs to be readjusted, proceed as follows.

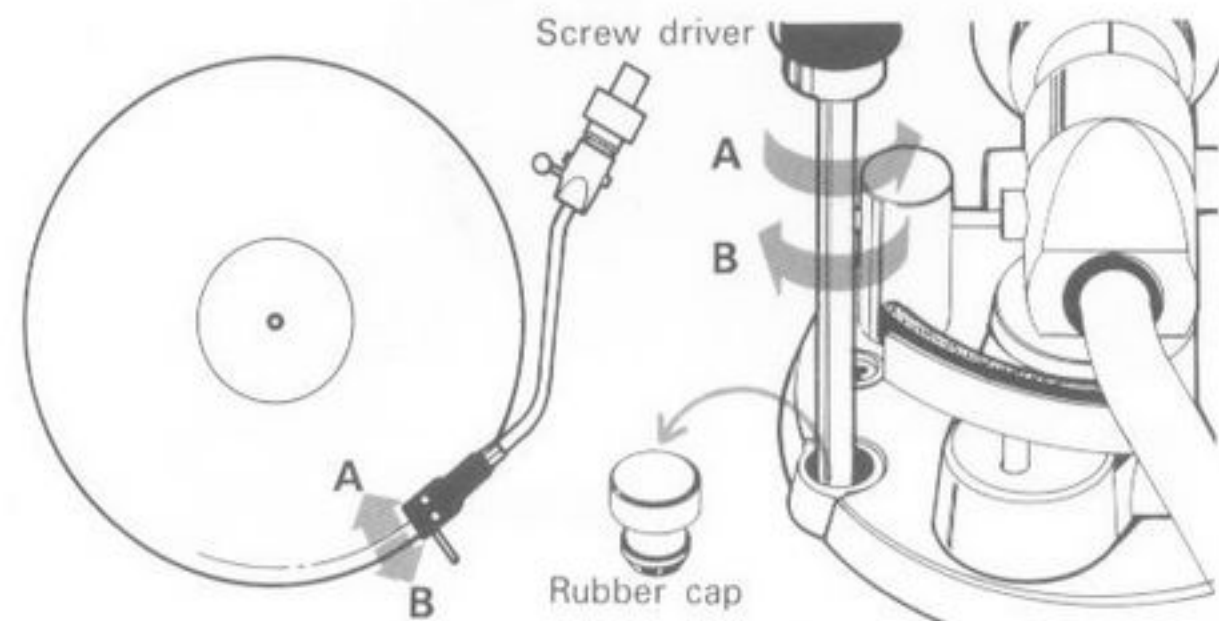
1 Remove the rubber cap of the Tonearm Drop-point Adjustment Hole located at the left side of the arm base.

2 Insert the supplied screwdriver into the hole.

To change the drop point inward... Turn the screw counter-clockwise.

To change the drop point outward... Turn the screw clockwise.

3 Once it is properly adjusted with a 30 cm (12") record, the drop point will be correct for 17 cm (7") and 25 cm (10") records as well.



MAINTENANCE

● No lubrication is required for this turntable. The motor shaft is factory lubricated for the life of the turntable.

● Clean the cabinet and dust cover periodically with a soft dry cloth. Do not use solvents such as alcohol, benzine or thinner, since they will damage the finish.

● When the Rubber Mat becomes dusty, wipe it gently with a soft cloth slightly dampened with water.

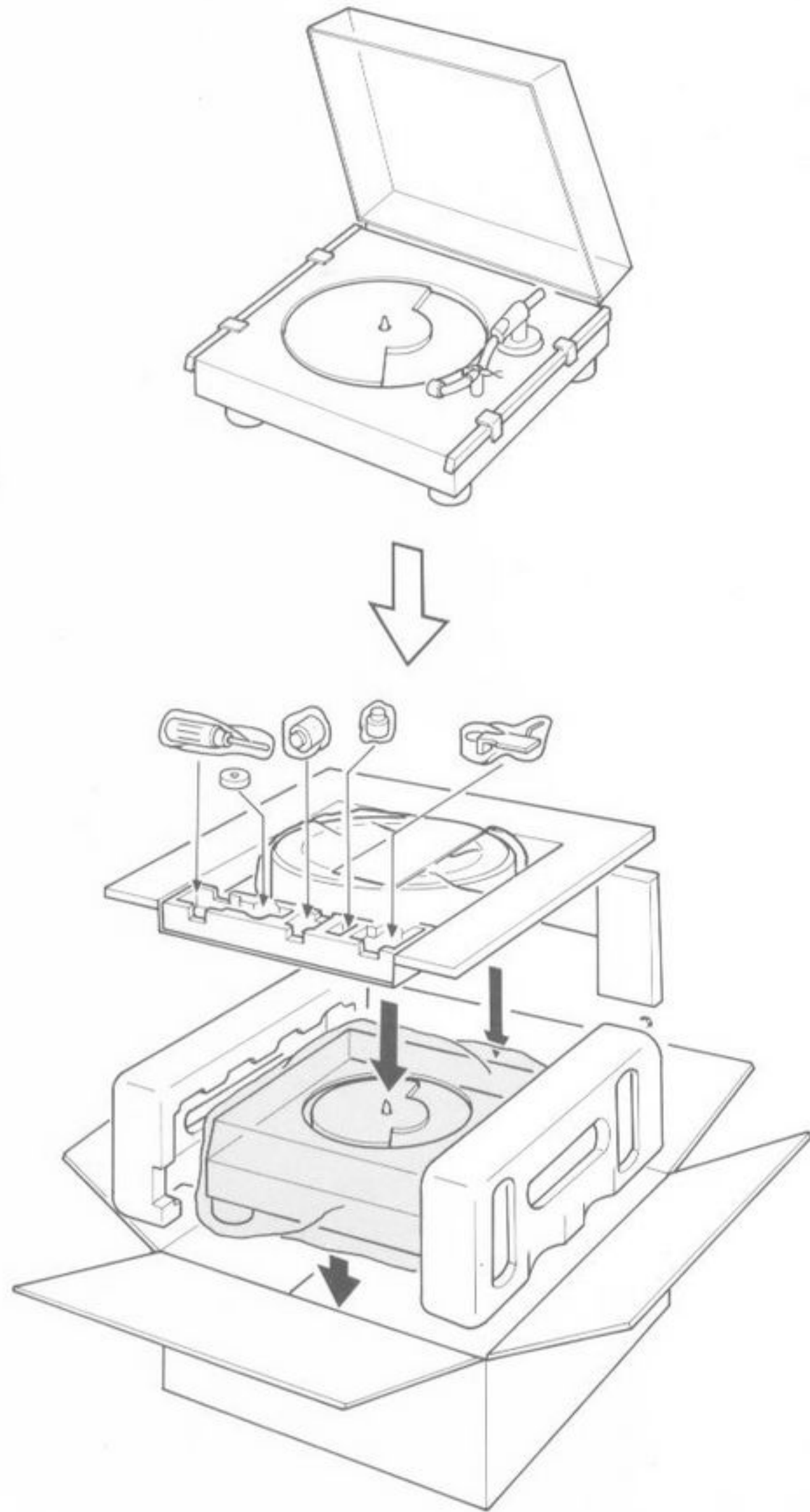
Note:

The one big screw and the three small screws on the bottom of the turntable are precisely adjusted at the factory to maintain the nominal turntable speed. Do not attempt to adjust these under any circumstances.

REPACKING FOR SHIPMENT

The original shipping carton and packing material (which we asked you to save) is the ideal container for use in shipping the unit for repair work, or to another location. To secure the maximum protection, it must be repacked in this material precisely as before. The proper repacking procedure is shown in the illustration.

● Turn the two transit screws (painted red) fully clockwise to fasten the power transformer to the cabinet.



SPECIFICATIONS

Turntable

Platter	31.4 cm (12 3/8"), Aluminum-alloy diecast
Motor	DC servo-controlled motor (brushless)
Drive system	Direct drive
Speed	33 1/3 rpm, 45 rpm
Pitch control range	±4%
Wow and flutter	±0.045% (DIN) 0.03% (WRMS)
S/N ratio	70 dB (DIN-B)

Tonearm

Type	Statically balanced, universal
Pivot to stylus length	216.5 mm (8 1/2")
Overall arm length	300 mm (11 7/8")
Overhang	16.5 mm (21/32")
Tracking error	Within +3°, -1°
Tracking-force adjustment range	0-3 g
Shell weight	7.5 g
Cartridge weight range	4-10 g (without extra weight) 10-15.5 g (with extra weight)

General

Power requirements	Type I: 110, 127, 220 or 240 V ac~, adjustable, 50/60 Hz Type II: 100, 120, 220 or 240 V ac, adjustable, 50/60 Hz
Power consumption	Type I: 13 W Type II: 10 W
Dimensions	Approx. 445×155×375 mm (w/h/d) (17 5/8×6 1/8×14 7/8 inches)
Weight	Approx. 10.3 kg (22 lb 12 oz), net Approx. 11.5 kg (25 lb 6 oz), in shipping carton
Supplied accessories	Alignment protractor 45-rpm adaptor Spacer for cartridge adjustment Cartridge mounting screws (3 pairs) Screw driver Extra weight Shell

Whilst the information given is true at the time of printing, small production changes in the course of our company's policy of improvement through research and design might not necessarily be indicated in the specifications.

We would ask you to check with your appointed Sony dealer if clarification on any point is required.

TROUBLE CHECKS

The following chart will help correct most problems which may occur with the unit. If the problem persists after you have made these checks, consult your Sony Service Station or Sony dealer.

Impaired tone quality

- Turntable not level
- Incorrectly placed on or near a speaker
- Dusty stylus
- Worn stylus or defective record (The stylus life is approx. 400 hours of playing time.)
- Incorrect cartridge installation (See page 8.)
- Improper tonearm balance (See page 8.)
- Improper tracking force (See page 9.)
- Improper setting of the Anti-skating Compensator (See page 9.)
- Improper turntable speed

No audio from one channel

- Loose attachment of the Shell to the Tonearm (See "Preparation" on page 8.)
- Loose connection of phono cord
- Low volume level setting for one channel of the amplifier
- Incorrect connection of the shell lead wires (See "Cartridge installation" on page 8.)

Groove skipping, Tonearm tends to skate out, Tonearm does not advance (record repeats)

- Turntable not level
- Improper tracking force (See page 9.)
- Improper setting of the Anti-skating Compensator (See page 9.)
- Defective record
- Incorrect adjustment of the resilient feet.

Steady low pitched sound (hum)

- Loose ground wire connection to the amplifier
- Loose connection between the Shell and the Tonearm (See "Preparation" on page 8.)
- Incorrect connection of the shell lead wires (See "Cartridge installation" on the page 8.)

Loud rumble or low-frequency "howl" which occurs when playing a record at high sound levels (acoustic feedback*)

- Put the turntable on a sturdy surface.
- Put the turntable as much away from the speakers as possible.
- If the above does not rectify the problem, try commercially available acoustic insulators designed to be put between the feet and shelf.

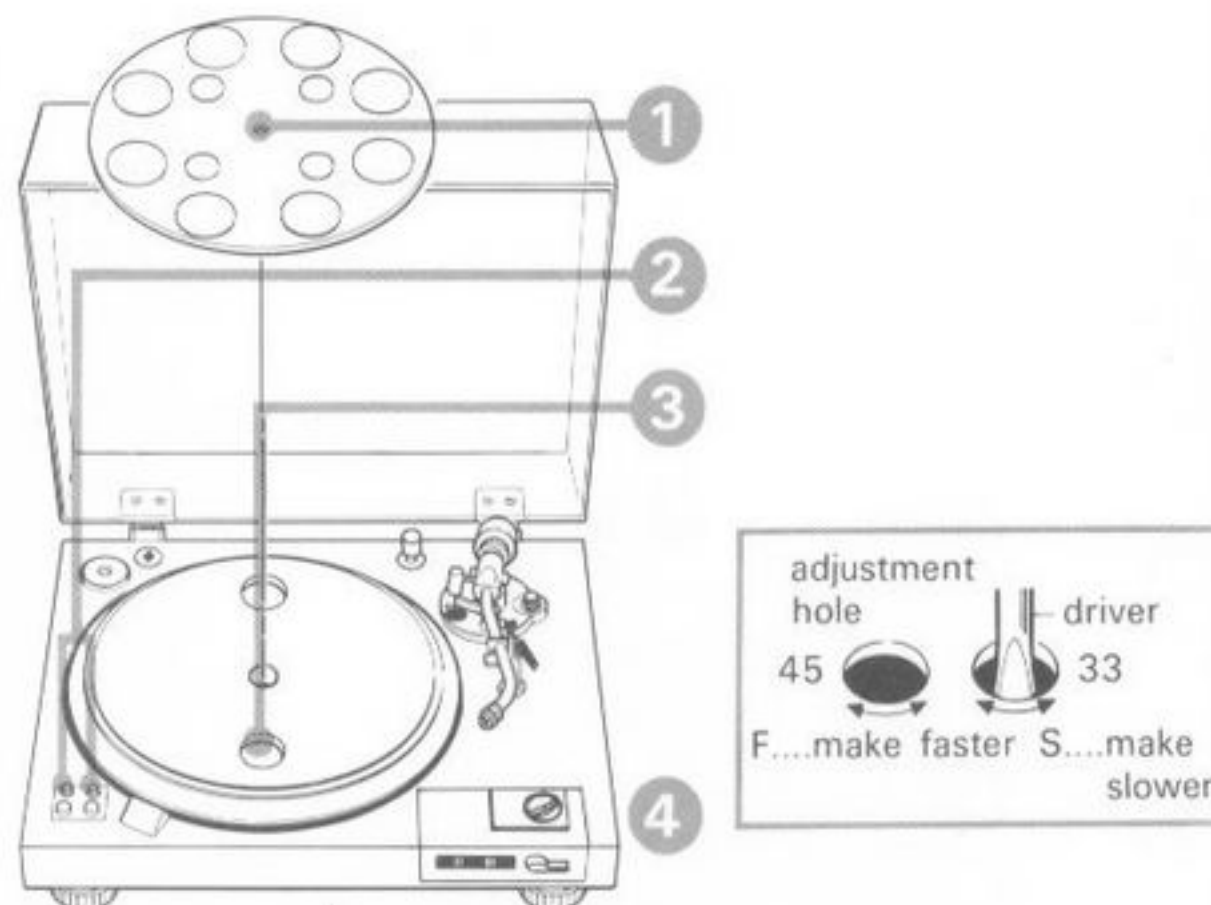
*Acoustic feedback: The vibration of speakers is transmitted through the air or via the solid objects (shelves, cabinets, floor, etc.) to the turntable, picked up by the cartridge stylus, amplified, and again reproduced through the speakers.

PITCH CONTROL RANGE ADJUSTMENT

If correct speed cannot be obtained by adjusting the front Pitch Controls, readjust the semi-fixed adjustment screws inside the turntable.

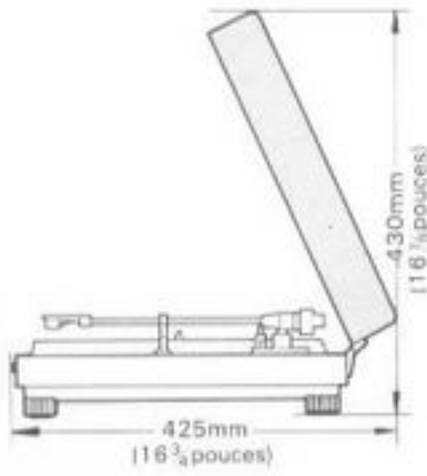
For the 33 1/3-rpm adjustment, turn the 33 semi-fixed screw, for 45-rpm adjustment, the 45 semi-fixed screw.

- 1 Remove the rubber mat.
- 2 Center the front 33 or 45 Pitch Control.
- 3 Turn the turntable so that the hole comes to the front center position. Insert a small screwdriver into the adjustment hole and turn it as indicated.
- 4 Turn on the power again and confirm that the stroboscope pattern for your power line frequency remains stationary.
 - After this adjustment, the stroboscope may be seen to move slightly due to the variations of the power line frequency which affects the turntable neon lamp. However, this is negligible for normal use since the DC servo motor/turntable used for this unit is designed to keep its nominal speed regardless of power line frequency deviations.



REMARQUES SUR L'INSTALLATION

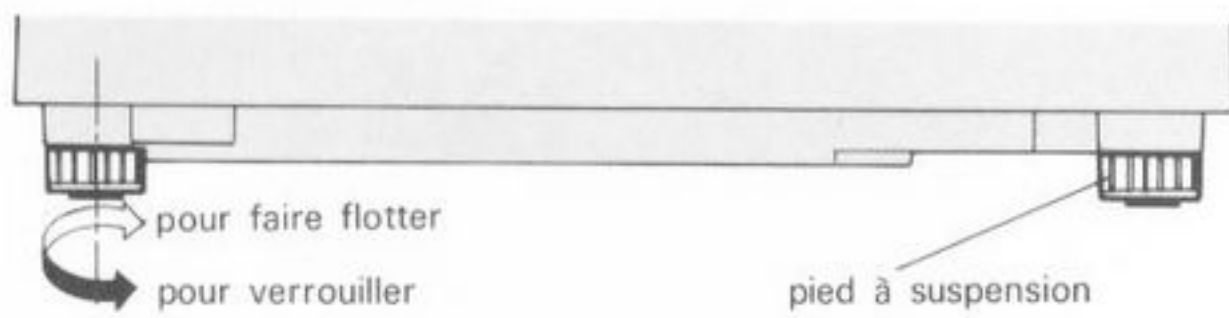
- Placer la table de lecture sur une surface plate.
- Réserver un espace de 10 cm (4 pouces) derrière l'appareil, de sorte que le couvercle puisse facilement être ouvert.



● La table de lecture a une base intégrante supportée par des pieds à suspension qui isolent le mécanisme des chocs ainsi que des vibrations.

Faire flotter la table de lecture horizontalement en tournant les pieds vers la gauche. Toutefois, si l'appareil est placé sur la surface molle, tourner les pieds vers la droite et les verrouiller. Cependant l'effet amortisseur sera supprimé dans la position verrouillée.

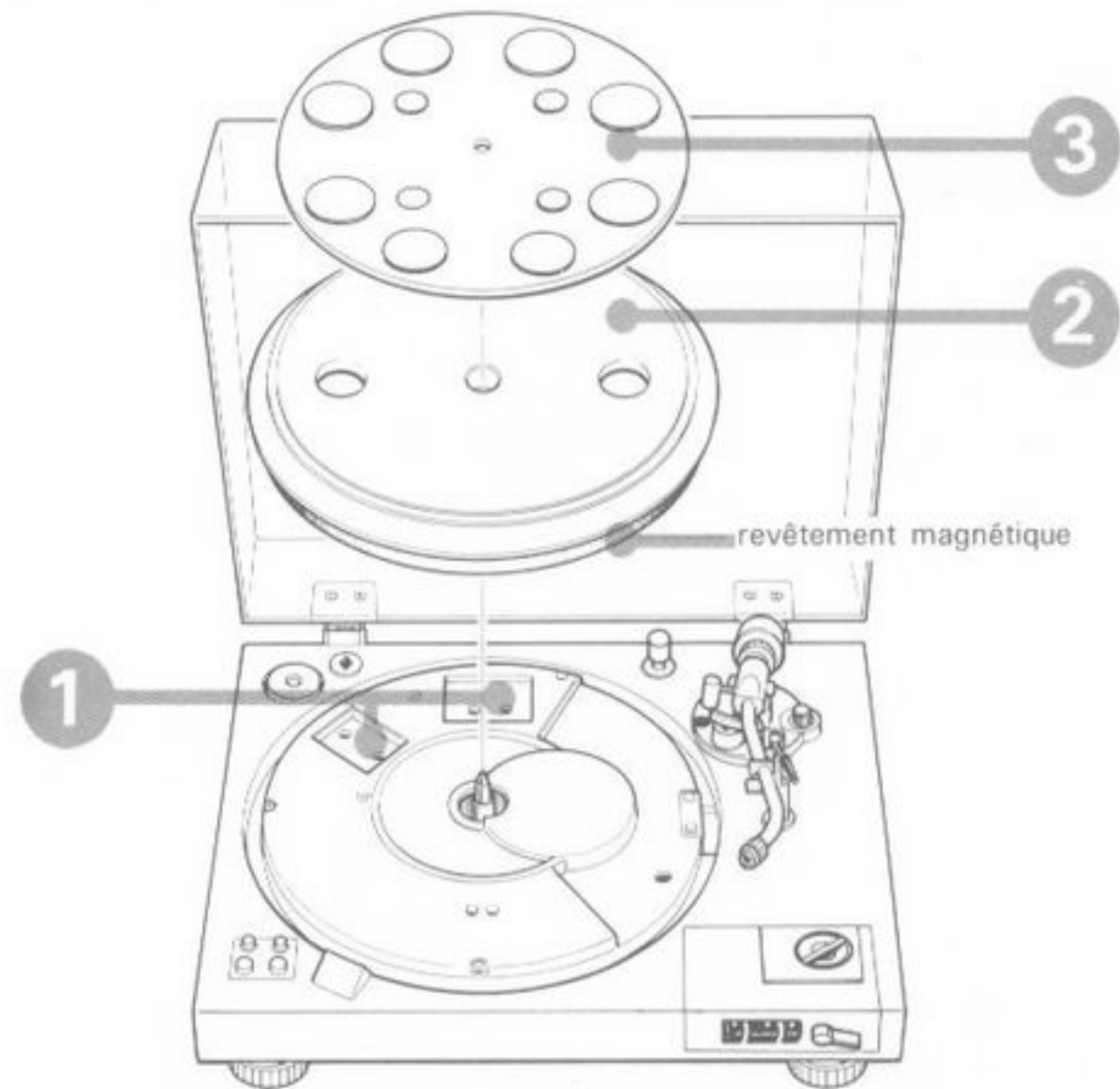
Ces pieds sont aussi ajustables en hauteur pour mettre la table de lecture au niveau. Lorsque l'appareil est placé sur la surface inégale, tourner chaque pied vers la gauche jusqu'à ce que l'appareil soit du niveau.



- Éviter de placer l'appareil près d'accessoires électriques (tels que télévision, sèche-cheveux, lampe fluorescente), qui peuvent causer bourdonnement ou bruit.
- Éviter toute vibration (comme celles venant de haut-parleur, claquage de portes, etc.).
- Conserver l'appareil à l'abri des rayons du soleil, de températures extrêmes, d'excèsives poussières ainsi que de l'humidité.

ASSEMBLAGE DU PLATEAU TOURNE-DISQUES

Ne brancher le cordon d'alimentation ainsi que les cordons phono, qu'après avoir terminé l'assemblage. Retirer tout le matériel d'emballage et nettoyer le coffret. Vérifier que les pieds à suspension soient relâchés.



❶ Retirer les deux vis de transport peintes en rouge, et les mettre dans les trous sur l'étiquette d'avertissement. (Ces vis seront nécessaires au moment du emballage. Voir "REMBALLAGE POUR L'EXPEDITION", page 21.)

❷ Poser doucement le plateau tourne-disques sur la plaque support du moteur en passant l'axe dans l'encoche centrale.

● Ne pas toucher le revêtement magnétique avec vos doigts ou avec un ustensile pour éviter de l'érafler et endommager le système de contrôle électronique de vitesse.

❸ Placer le disque de caoutchouc sur le plateau tourne-disques. ● Ne jamais connecter le cordon d'alimentation sans que le plateau tourne-disques soit installé. Sinon, le moteur tournera à une vitesse incontrôlée.

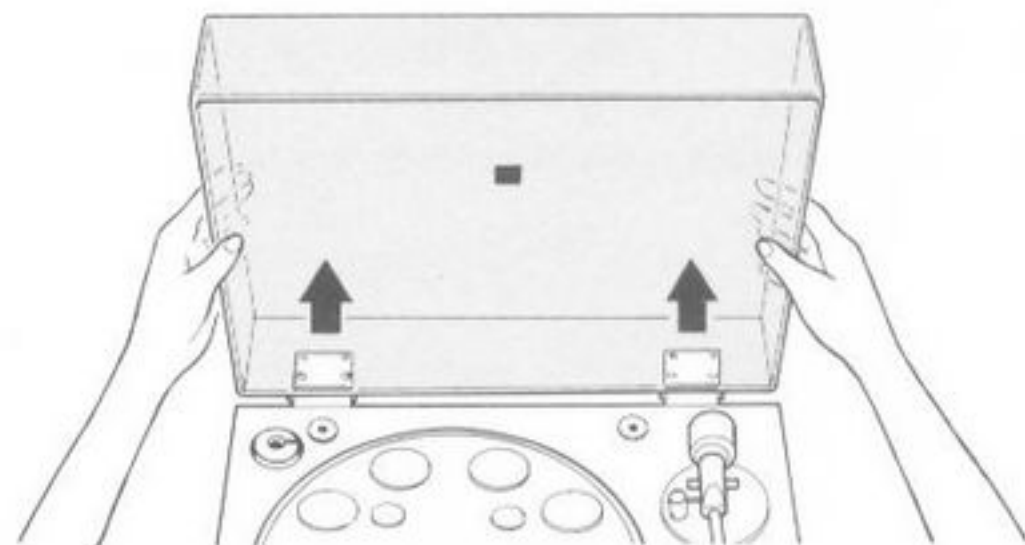
● Bien veiller à ce qu'aucun objet étranger ne vienne se glisser sous le plateau.

● Ne pas tenter de tourner le plateau à la main et vers la gauche.

● Conserver le carton d'emballage ainsi que ses composants, pour, éventuellement, un usage futur.

Pour enlever le protège poussière

Ouvrir le protège poussière et le faire glisser d'avant en arrière en le tenant des deux mains.

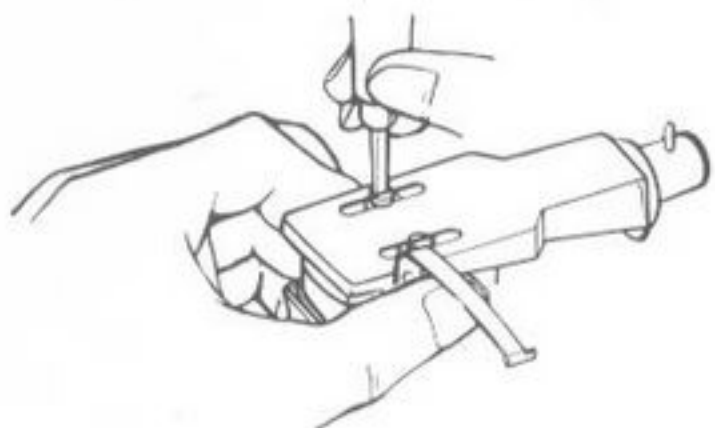


MISE EN PLACE DE LA CELLULE

Une cellule de lecture pesant entre 4 et 10 grammes peut être utilisée avec la coquille fournie (7,5 g). Une cellule plus lourde pesant entre 10 et 15,5 grammes peut être utilisée à l'aide du poids supplémentaire (fourni).

Si quelque autre coquille est installée, utiliser celle dont le poids et la hauteur soient similaires à ceux de la coquille fournie.

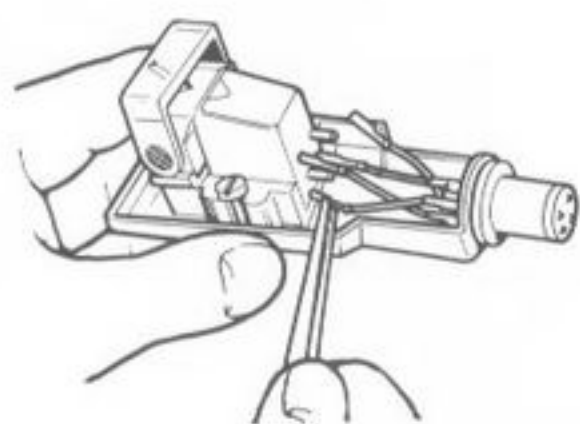
- 1 Utiliser la paire de vis qui convient le mieux au montage de la cellule selon la hauteur de la cellule que l'on désire adapter. (Trois paires de vis d hauteurs différentes sont fournies.)
- 2 Installer la cellule avec les vis sélectionnées, et amener l'extrémité de la pointe de lecture à une distance de 49 mm (1 15/16 pouce) de l'épaulement de la coquille. Le dépassement provisoire est ensuite achevé. Un plus précis ajustement se fera après.



● Si le bord avant de la coquille bloque la cellule, et que la distance nécessaire ne peut être obtenue, insérer l'entretoise fournie sous la coquille.



- 3 Brancher les fils de la coquille aux bornes correspondantes de la cellule.



Fils	Broches de la cellule
Fil blanc	L (signal canal de gauche)
Fil bleu	LE ou G (terre canal de gauche)
Fil rouge	R (signal canal de droite)
Fil vert	RE ou G (terre canal de droite)

● Les espaces stockage sont prévus sur le coffret, pour une cellule de rechange.

ASSEMBLAGE ET AJUSTEMENTS DU BRAS DE LECTURE

Ne brancher le cordon d'alimentation ainsi que les cordons phono, qu'après avoir terminé l'assemblage.

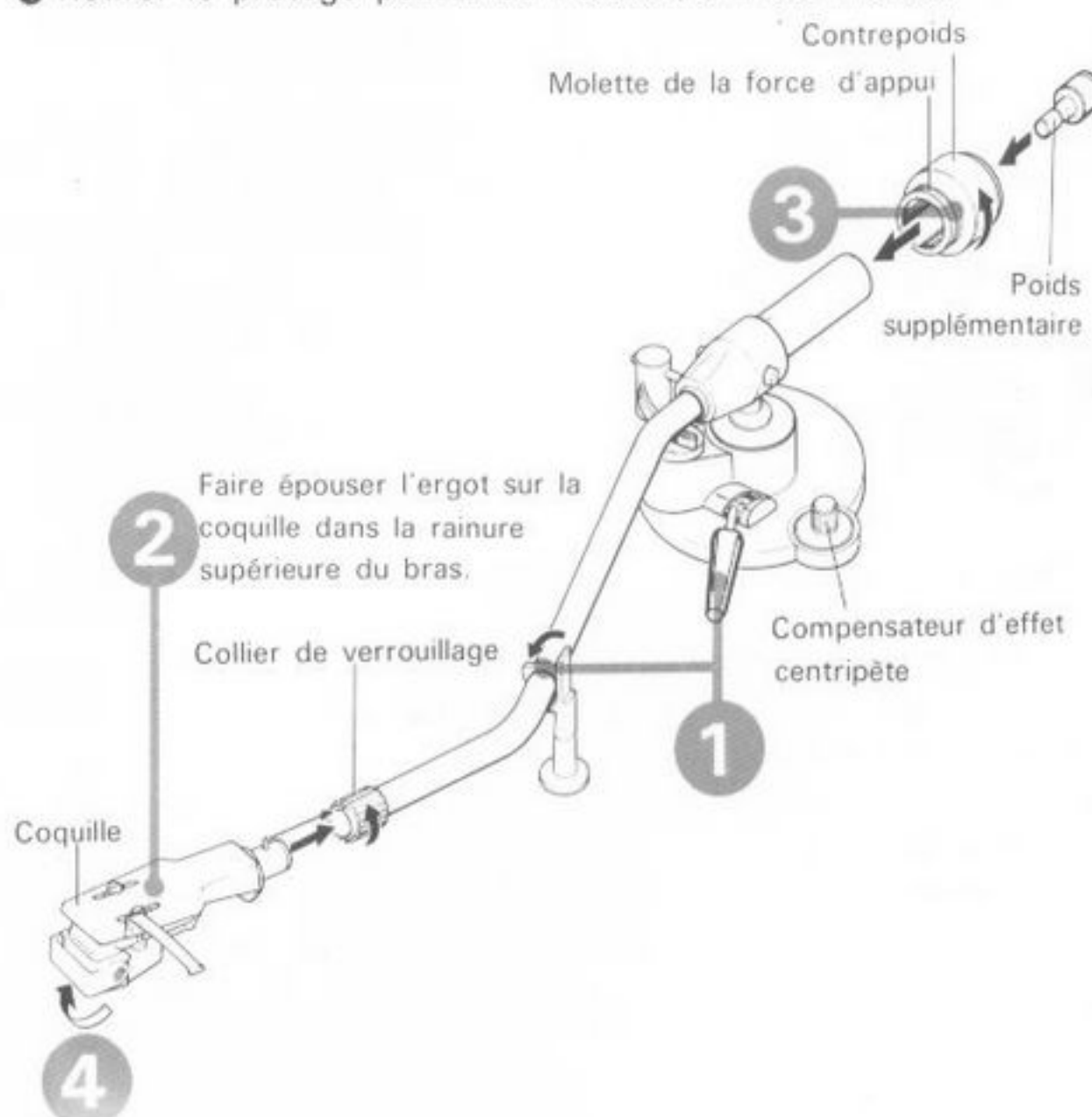
Les procédures suivantes doivent être réalisées sur une surface plate.

Faire attention de ne pas endommager la pointe de lecture lors de l'ajustement.

Lorsque l'on change de cellule, procéder aux réajustements.

Préparatif

- 1 Fixer le bras à son support et abaisser le levier du lève-bras.
- 2 Installer la coquille sur le bras et tourner le collier de verrouillage vers la gauche jusqu'à ce que la coquille soit fermement fixée au bras.
- 3 Insérer le contre poids en le tournant plusieurs fois vers la gauche. (La molette de la force d'appui tourne avec le contre poids.)
- Si le poids de la cellule est compris entre 10 et 15,5 grammes, ajouter le poids supplémentaire fourni, à l'extrémité du bras.
- 4 Retirer le protège pointe ou l'élever, s'il est monté.

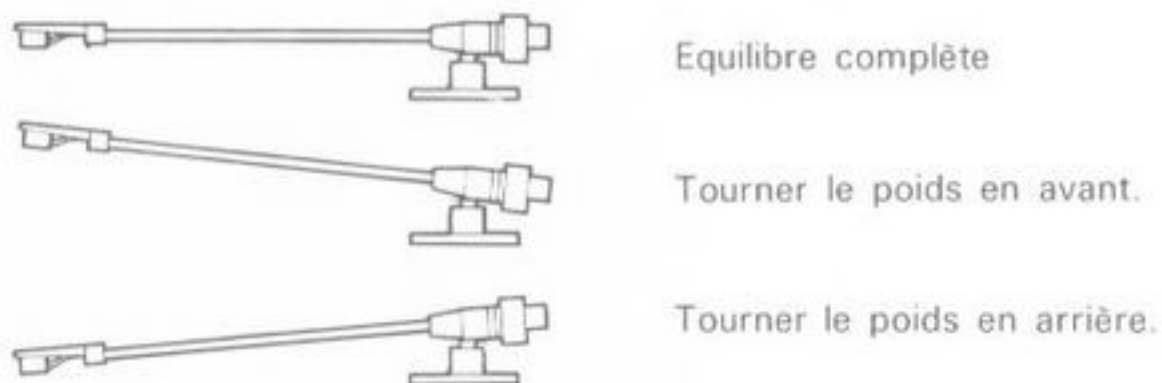
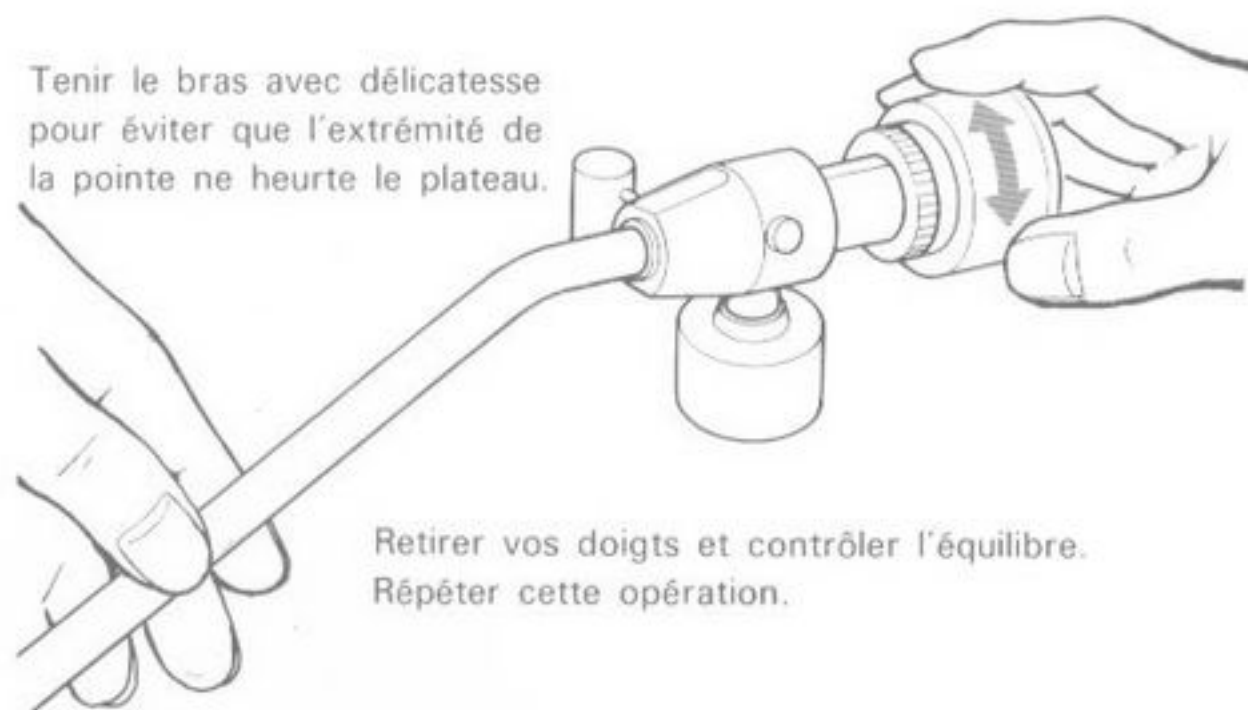


Ajustement d'équilibre longitudinal *1

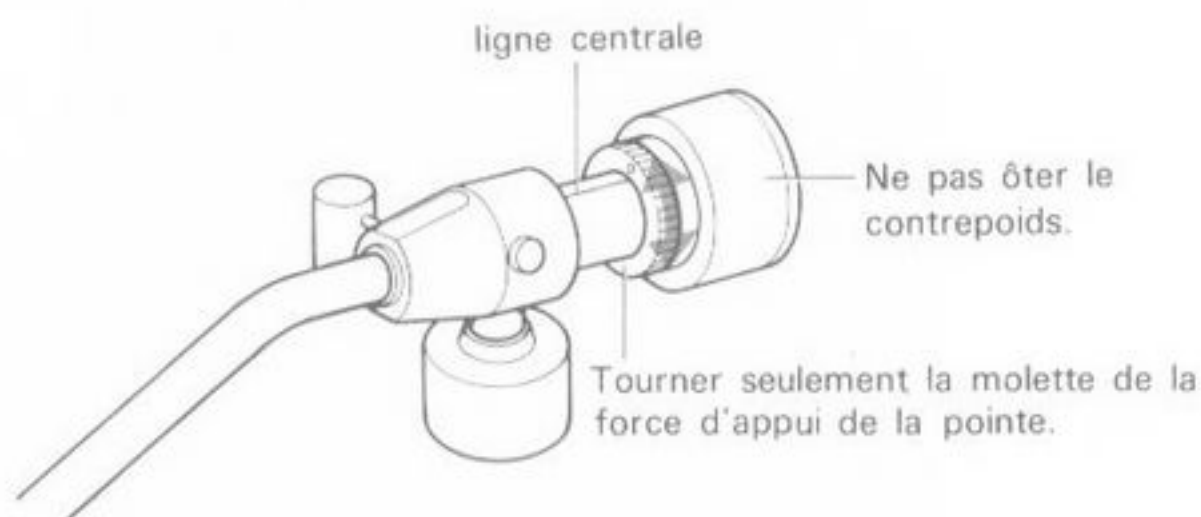
- 1 Faire attention que le compensateur d'effet centripète soit bien placé à "0". Libérer le bras de son support.



② Tourner le contrepoids jusqu'à ce que le bras se trouve dans une position d'équilibre horizontale. (La molette de la force d'appui tourne simultanément.)



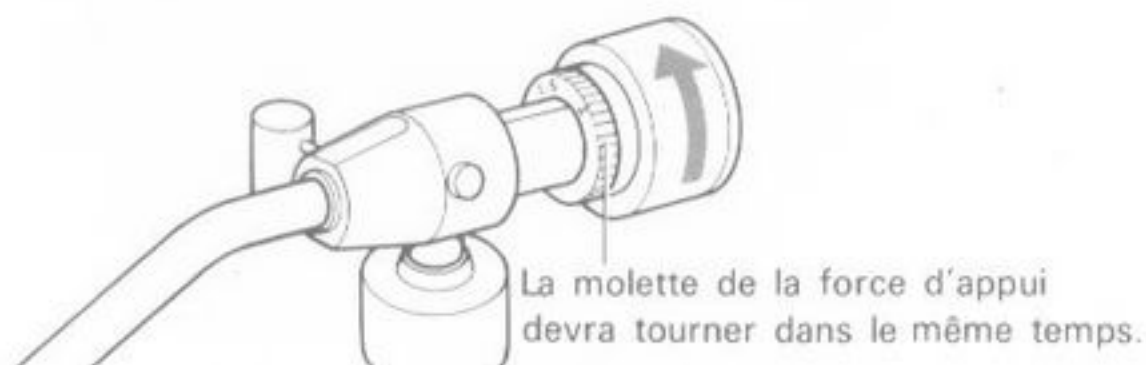
③ Tout en tenant le contrepoids à la position équilibrée, tourner seulement la molette de la force d'appui jusqu'à ce que l'indication du zéro rencontre la ligne du centre sur le bras. Réajuster l'équilibre du bras.



④ En tirant le support-bras, le tourner 180° vers la gauche jusqu'à ce que le support retourne à la position originale. De nouveau, attacher le bras à son support.

Ajustement de la force d'appui *2

Tourner le contrepoids vers la gauche de telle sorte que la valeur de la force d'appui recommandée soit alignée avec la ligne du centre sur le bras. La valeur de la force d'appui maximale est de 3 grammes.

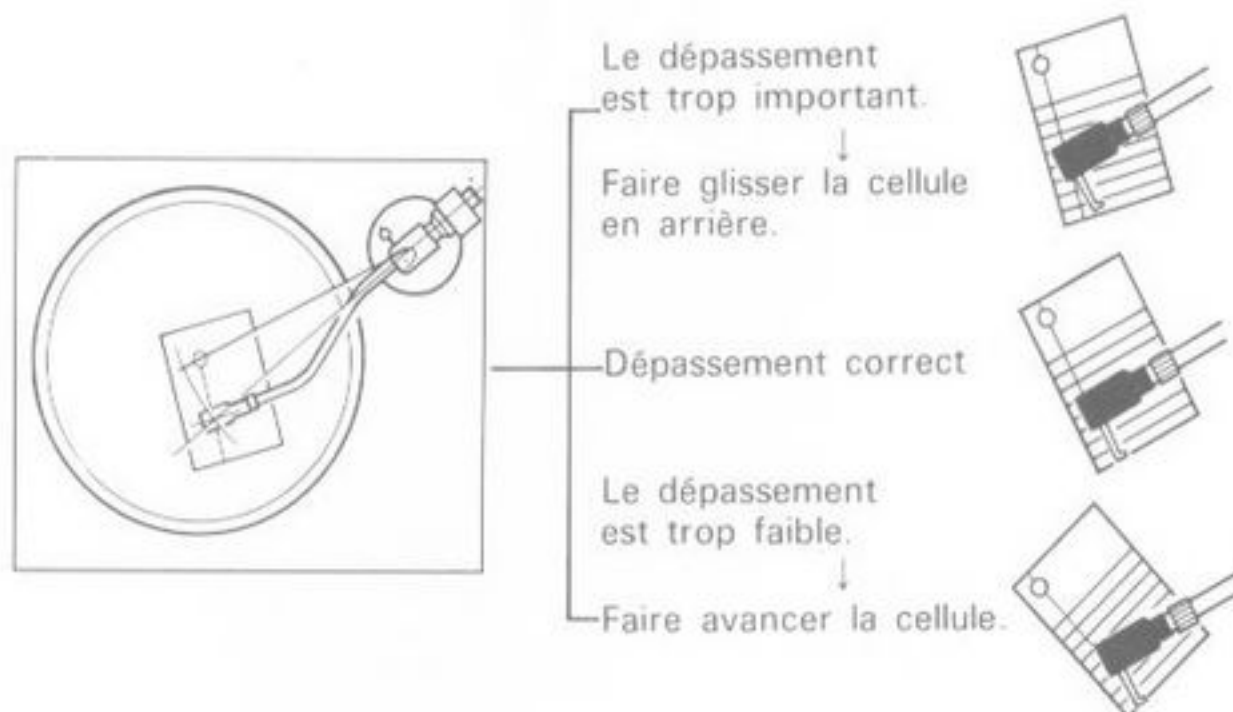


Dépassement *3

Vérifier que le dépassement de la pointe de lecture est bien réglé. Utiliser le rapporteur d'alignement fourni.

Pour cet ajustement, brancher le cordon d'alimentation sur une prise du secteur et enfoncer l'interrupteur d'alimentation [POWER].

- ① Placer le trou du rapporteur d'alignement sur l'axe central.
- ② Placer le sélecteur de diamètre des disques à MANUAL et soulever le levier du lève-bras.
- ③ Effleurer la partie métallique de la touche sensitive marche/arrêt [START/STOP]. Après environ trois rotations du plateau tourne-disques, couper l'alimentation.
- ④ Amener le bras de lecture au-dessus du point d'intersection des deux axes fins, et y laisser tomber soigneusement la pointe de lecture.
- ⑤ Vérifier que la coquille soit parallèle aux axes épais du rapporteur d'alignement comme indiqué sur l'illustration centrale. Si elle est parallèle, le dépassement de la pointe est bien réglé.

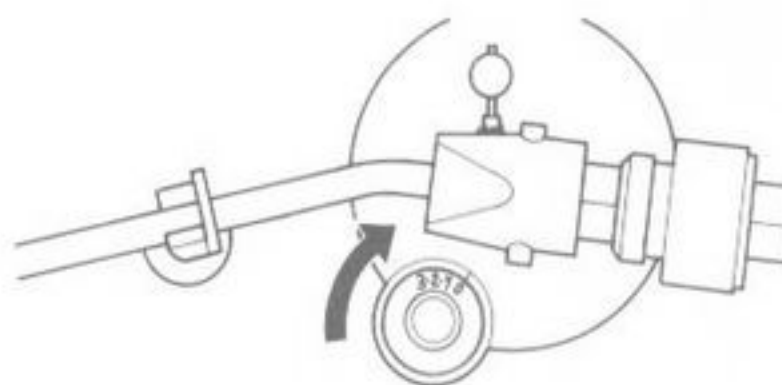


⑥ Si la coquille n'est pas parallèle, réajuster comme suit :

- 1) Desserrer les vis de montage de cellule et faire glisser la cellule.
- 2) Resserrer les vis.
- 3) Vérifier de nouveau que l'équilibre longitudinal et la force d'appui soient bien réglés.

Compensation de la poussée latérale *4

Tourner le compensateur d'effet centripète de façon à ce que la marque témoin rencontre la valeur utilisée de la force d'appui de votre cellule.



Après les ajustements terminés, installer le protège pointe.

*1 Ajustement d'équilibre longitudinal

Pendant l'écoute du disque, le poids du bras est supporté par l'axe du bras, et seule la force d'appui est appliquée à la pointe de lecture. Pour réaliser cela, le bras doit être équilibré horizontalement avec un indicateur de force d'appui placé à "0".

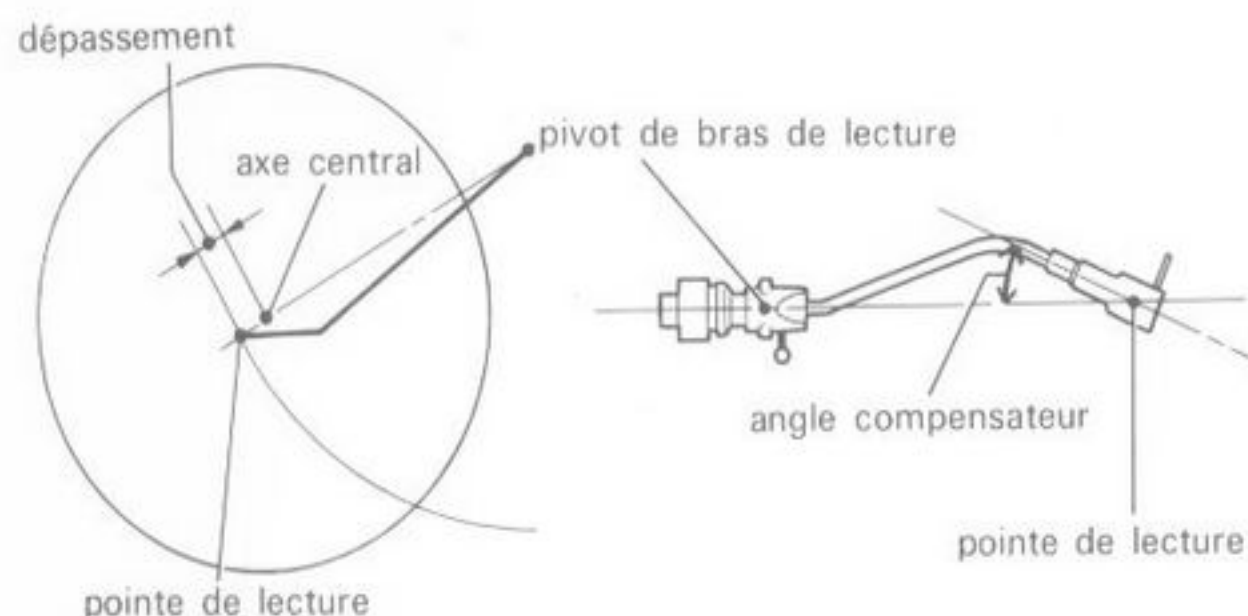
*2 Force d'appui

Après l'ajustement de l'équilibre longitudinal, appliquer la force d'appui recommandée de sorte que la pointe de lecture suive le sillon avec exactitude.

*3 Dépassement

A la lecture d'un disque, à cause du pivotage du bras, la pointe de lecture ne peut être tangente qu'à un seul sillon. Pour tous les autres, il y a une légère déviation de la pointe de la tangente. Il y a donc erreur de piste, et cela introduit des erreurs dans la durée, le déplacement et l'amplitude des signaux reproduits et ceci par rapport à la gravure originale des signaux. Maintes formes de distorsions peuvent se produire, ceci dépendant des modèles de la cellule et de la pointe de lecture.

En donnant au dépassement et à l'angle compensateur des valeurs moindres, l'erreur de piste peut être réduite. Le dépassement est la distance entre la pointe de lecture et l'axe central. Cet ajustement du dépassement est fait au moment de l'installation d'une cellule particulière, tandis que l'angle compensateur est fixé par le fabricant du bras.



*4 Compensation de la poussée latérale

A la lecture d'un disque, les forces de frottement prenant naissance entre la pointe de lecture et la surface du disque en rotation, produisent une action conjuguée qui tend à attirer le bras de lecture vers le centre du disque en rotation. La compensation d'effet centripète annule cette force de poussée latérale et s'obtient en travaillant avec une force d'appui. Une incorrecte compensation d'effet centripète se traduit par une déformation sonore, et une usure inégale de la pointe de lecture et du disque.

RECOMMANDATIONS SUR LE MANIEMENT DES DISQUES

Avant l'écoute

- Nettoyer la pointe de lecture à l'aide d'une brosse souple (brosse pointe, pinceau, etc.). La brosse dans le sens d'arrière en avant. Ne jamais la nettoyer avec le bout de vos doigts.
- Pour un nettoyage ordinaire des disques, utiliser un tissu doux vendu à cet effet et humecté d'un liquide spécial disponible chez un vendeur spécialisé. Si le disque est nettoyé avec un vaporisateur, attendre que le produit vaporisé soit sec avant d'écouter un disque. Sinon, l'audition peut être défectueuse et le disque endommagé. Il est fortement conseillé de nettoyer le microsillon avant de le ranger dans sa pochette.
- Toujours tenir le disque par son bord et ne jamais toucher les sillons. Des traces de doigts sur la surface du microsillon peuvent créer une accumulation de poussière et être à l'origine d'une mauvaise reproduction sonore.

Pendant l'écoute du disque

- Réduire le volume de l'amplificateur avant que le bras de lecture ne s'abaisse sur le disque.
- Pendant la rotation du plateau tourne-disques, ne pas essayer avec vos mains de l'arrêter ou de le faire aller dans le sens inverse.
- Pendant l'écoute, rabattre entièrement le couvercle protège poussière. Ne rien placer dessus.
- Pendant l'écoute, ne pas déplacer la table de lecture et ne pas toucher le bras.

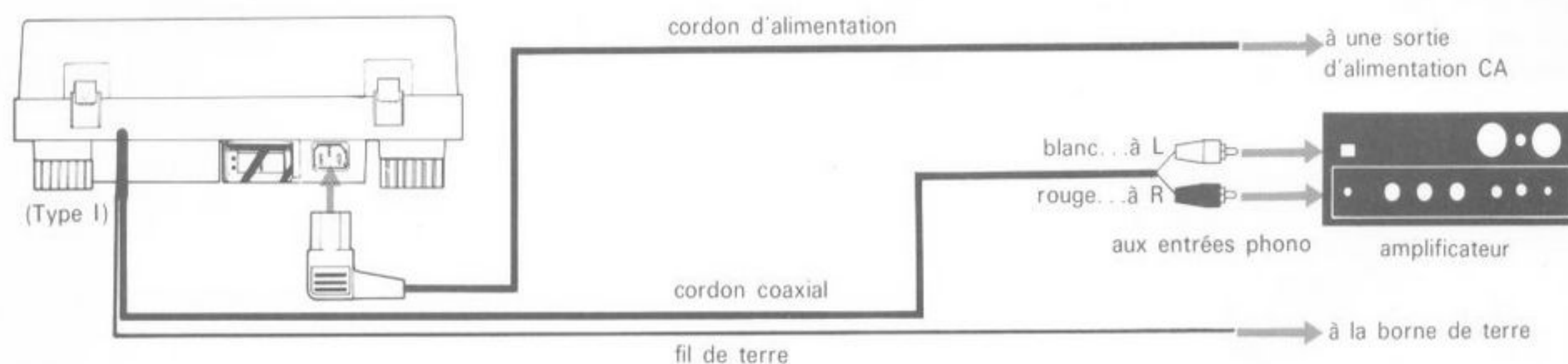
Après l'écoute

- Éviter de laisser exposer les disques près d'une source de chaleur, tel que le rayonnement direct du soleil, une bouche d'air chaud, etc. Pour éviter que les disques ne se déforment, les ranger verticalement sans leur appliquer de pression, et en évitant qu'ils soient inclinés.
- Lorsque la table de lecture n'est pas utilisée, fermer le couvercle protège poussière.

Autres précautions

- Ne rien déposer sur le plateau excepté les disques.
- Ne rien déposer sur le socle de la platine excepté la cellule de rechange ainsi que l'adaptateur 45 tours.

CONNEXIONS

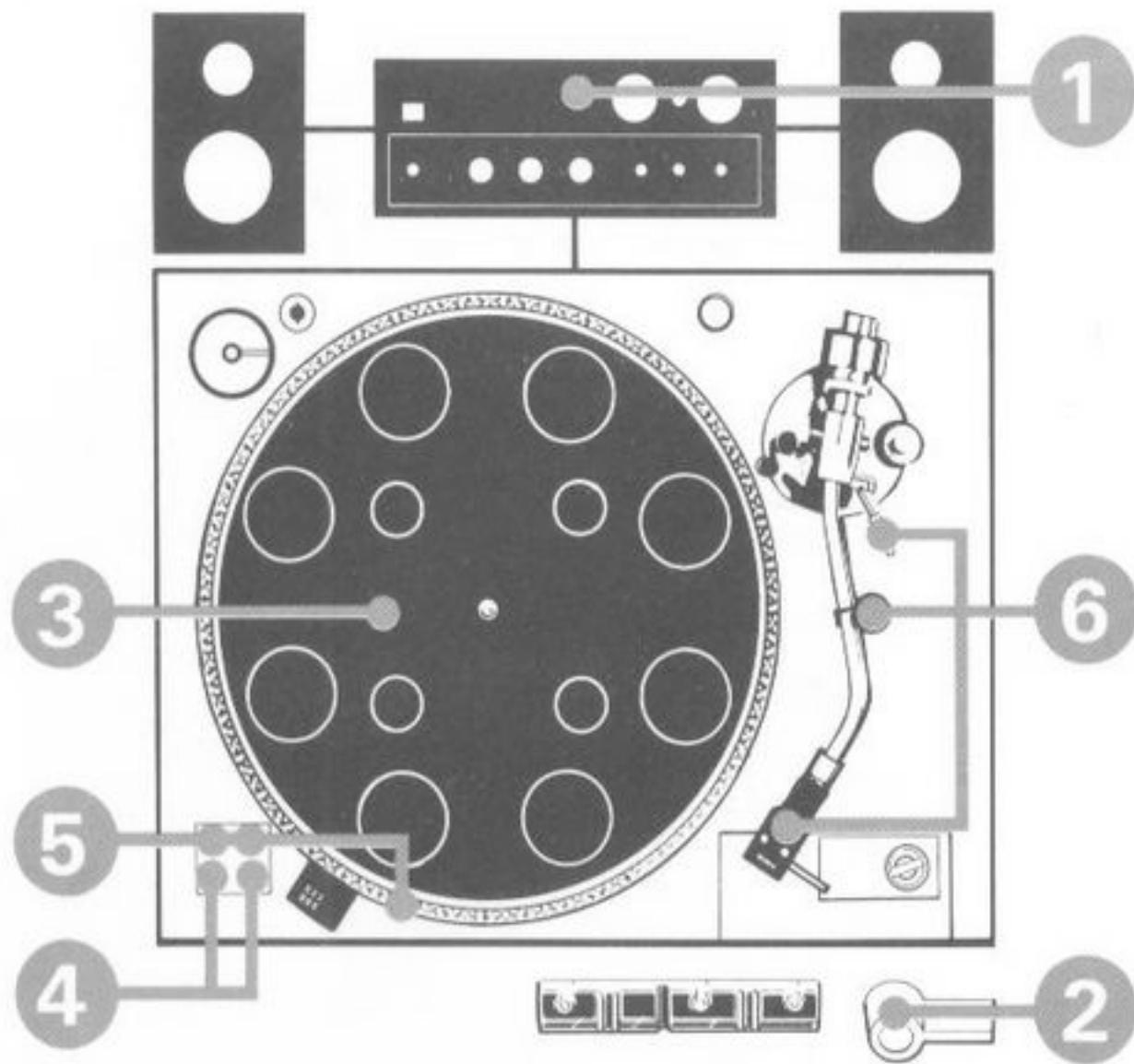


- Lors de la connexion sur une prise auxiliaire CA de l'amplificateur, utiliser une sortie indépendante.
- En utilisant le cordon d'alimentation pour la table de lecture de type I, le connecter premièrement à une entrée CA de la table de lecture, et ensuite à la sortie CA de l'amplificateur.

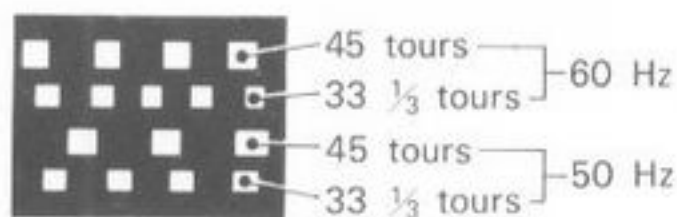
- Vérifier que les cordons phono et le cordon d'alimentation ne sont pas coincés sous le coffret.
- Réaliser une liaison lâche entre les cordons phono, ceci pour éviter une vibration extérieure ou des chocs.

ECOUTE DU DISQUE

PREPARATIF



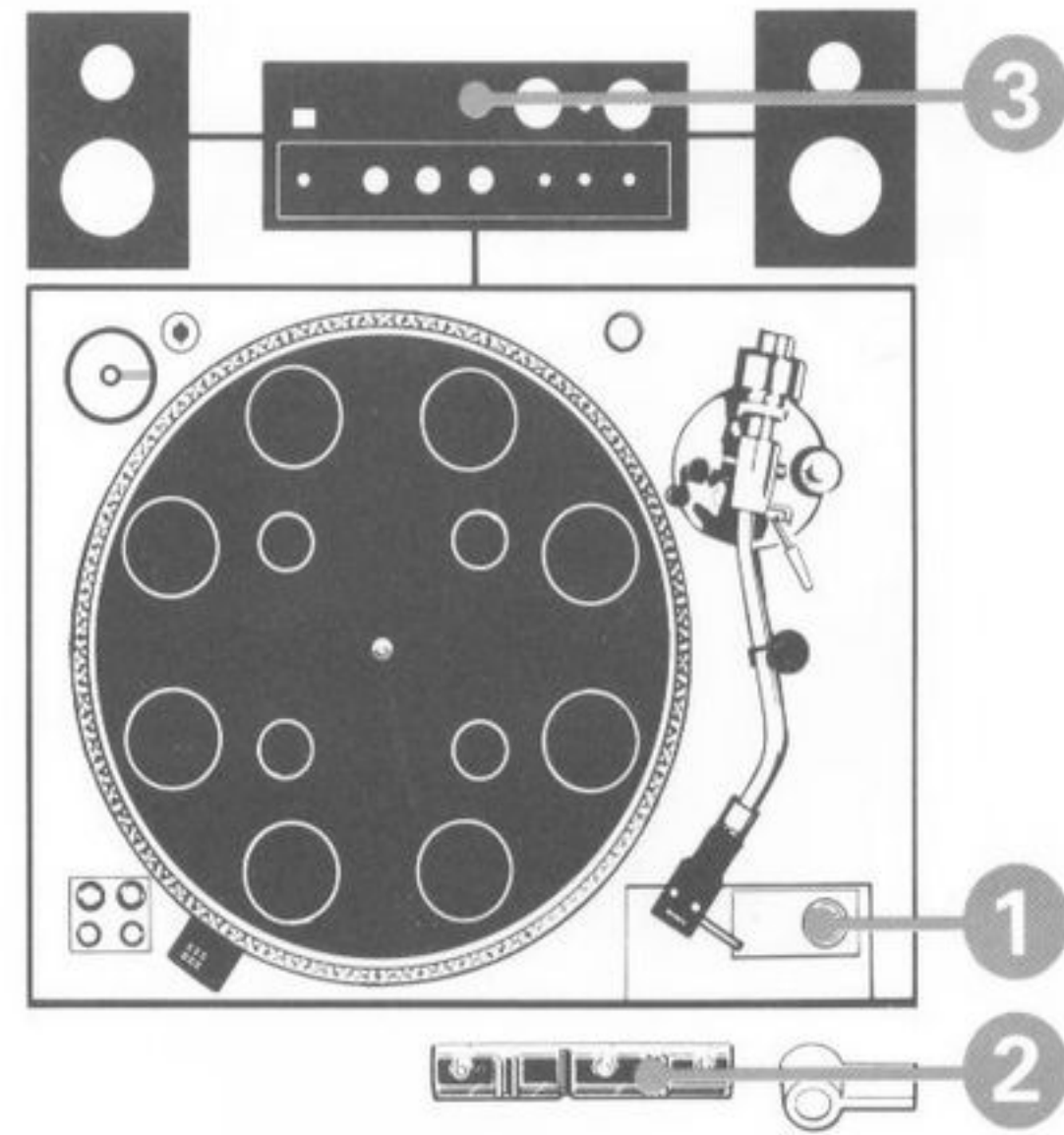
- ❶ Baisser le volume de l'amplificateur. Mettre l'amplificateur sous tension, et mettre son sélecteur d'entrée sur PHONO.
- ❷ Mettre l'appareil sous tension (La lampe au néon s'allume).
- ❸ Placer un disque sur le plateau.
Pour les disques 17 cm (7 pouces), mettre l'adaptateur 45 tours (fourni) sur l'axe central. Lorsque un autre adaptateur est utilisé, l'automatisme du bras de lecture ne fonctionne pas avec précision.
- ❹ Sélectionner la vitesse à l'aide des poussoirs 33 tours ou 45 tours selon la vitesse du disque que l'on désire entendre.
- ❺ Ajuster le réglage fin.
1) Mettre le sélecteur de diamètre des disques sur MANUAL.
2) Effleurer la partie métallique de la touche sensitive marche/arrêt [START/STOP]. Le voyant marche s'allume, et le plateau tourne-disques commence à tourner.
3) En regardant le stroboscope, ajuster la vitesse à l'aide du réglage fin, jusqu'à ce que la raie stroboscopique apparaisse stationnaire.
Pour une fréquence de ligne de 60 Hz, utiliser les deux lignes supérieures, et pour celle de 50 Hz, utiliser les deux lignes inférieures.



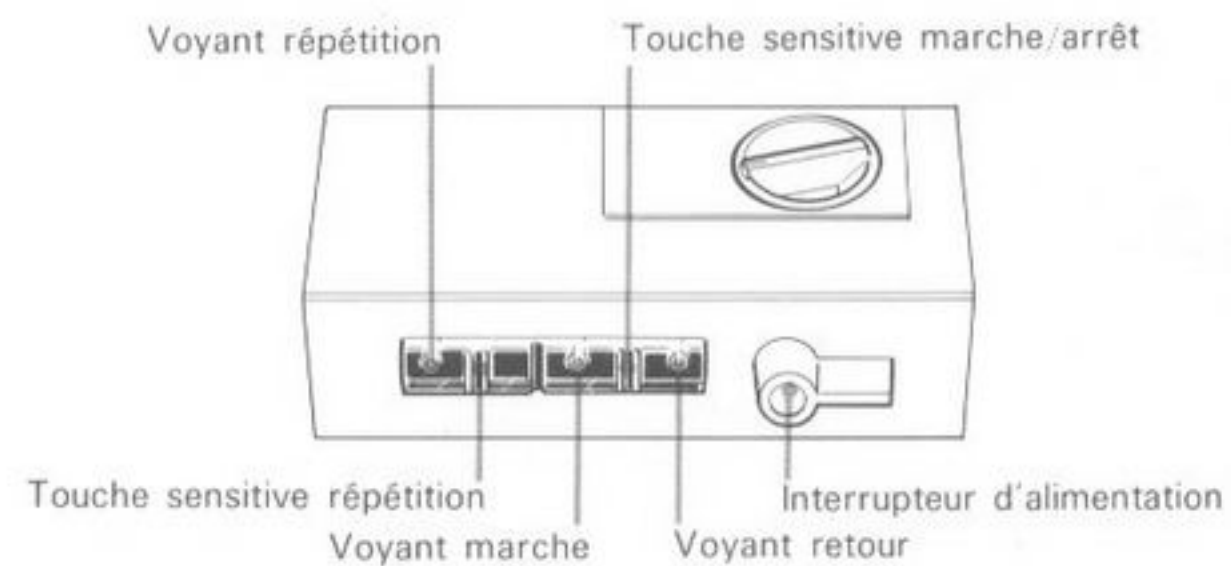
- Si la raie se déplace vers la droite... Tourner le réglage dans la direction F (rapide).
Si la raie se déplace vers la gauche... Tourner le réglage dans la direction S (lent).
- 4) Effleurer la touche [START/STOP]. Le voyant retour s'allume et le plateau tourne-disque s'arrête.
 - ❻ Retirer le protège pointe et libérer le bras de son support. S'assurer que le levier du lève-bras est bien abaissé.

● Bien regarder les voyants indicateur pour connaître dans quel mode fonctionne la table de lecture, car à chaque fois qu'une commande est effleurée, l'appareil se met en marche ou s'arrête de fonctionner.

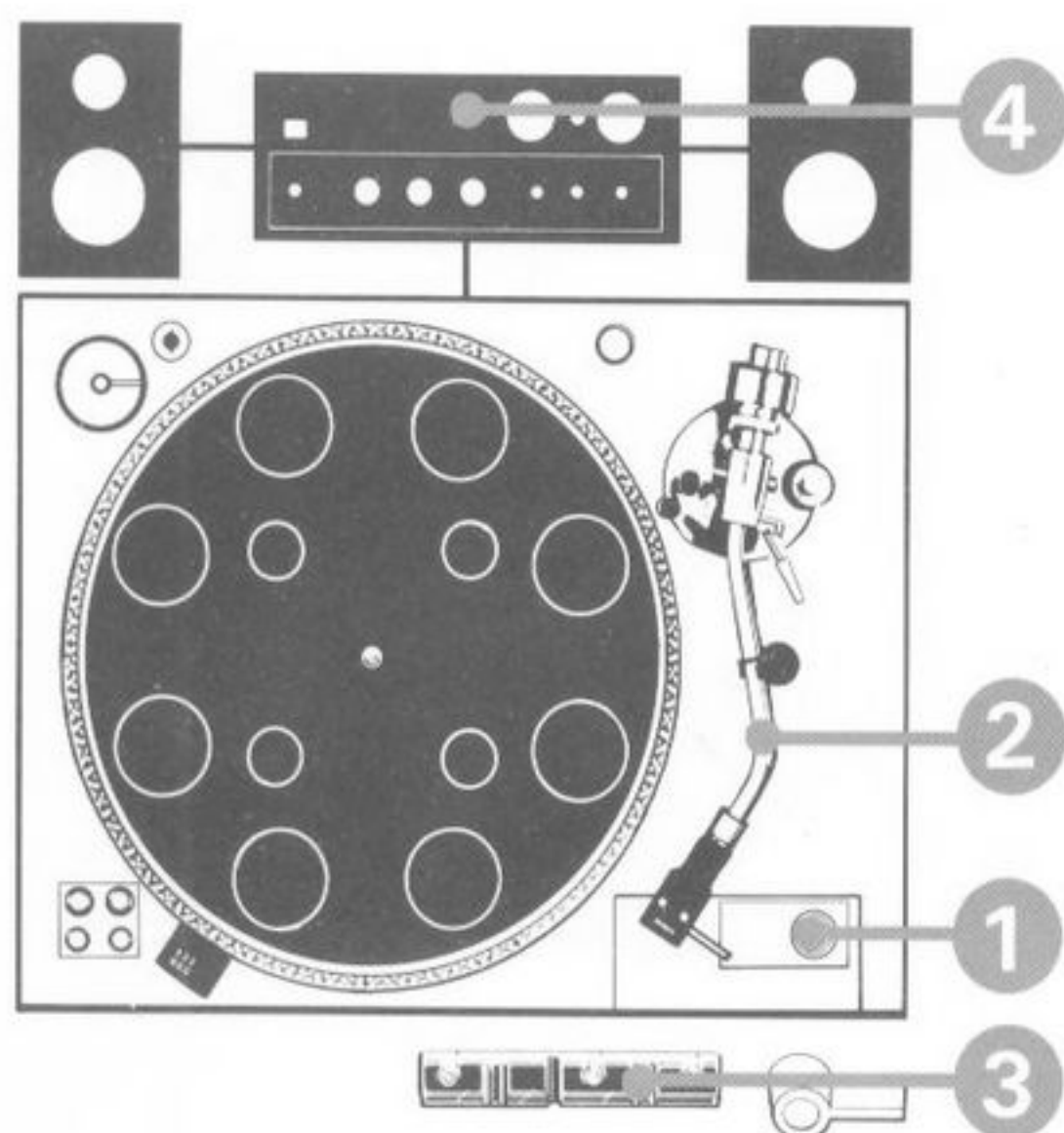
ECOUTE AUTOMATIQUE



- ❶ Sélectionner la position correcte du sélecteur de diamètre des disques selon le diamètre du disque que vous désirez entendre. Vérifier que la position du sélecteur de diamètre correspond bien au diamètre du disque. Sinon, le bras peut s'abaisser en dehors du disque, et la pointe de lecture peut être endommagée.
- ❷ Effleurer la partie métallique de la touche sensitive marche arrêt [START/STOP], et le voyant marche s'allume. Le bras se déplacera automatiquement, et s'abaissera sur le disque. L'écoute commencera.
- ❸ Ajuster le niveau du son, la balance stéréo et la qualité tonale de l'amplificateur selon sa préférence.
- ❹ Après l'écoute du disque, le bras retourne automatiquement à son support. Pour arrêter pendant l'écoute, effleurer la touche [START/STOP]. Le voyant retour s'allume et le bras retourne à son support.
- ❺ Lorsque le bras est complètement retourné à son support, mettre la table de lecture hors tension. Si l'appareil est mis hors tension pendant que le bras retourne à son support, la mise en marche de la table de lecture ne s'effectuera pas correctement lors d'une utilisation ultérieure.



ECOUTE DU DISQUE PAR COMMANDE MANUELLE



- 1 Placer le sélecteur du diamètre des disques à MANUAL.
- 2 Amener le bras au dessus du sillon de guidage du disque, ou sur l'endroit où vous souhaitez commencer l'écoute du disque.
- 3 Effleurer la touche sensitive marche/arrêt [START/STOP]. Le plateau commencera à tourner et le bras s'abaissera automatiquement sur le disque.
- 4 Ajuster le niveau du son, la balance stéréo et la qualité tonale de l'amplificateur selon sa préférence.
- 5 Après l'écoute, le bras retourne automatiquement à son support. Pour arrêter pendant l'écoute, effleurer la touche [START/STOP]. Le voyant retour s'allume et le bras retourne à son support.
- 6 Mettre l'appareil hors tension après le retour du bras à son support.

Si vous amenez le bras sur l'étiquette du disque, pendant la rotation du plateau tourne-disques, le bras peut retourner par le mécanisme de retour automatique.

ECOUTE REPETEE DE DISQUE

Pour réécouter le même disque, effleurer la touche sensitive répétition [REPEAT] pendant l'écoute automatique. Le voyant [REPEAT] s'allume et le disque est de nouveau entendu. La fonction répétitive est aussi possible pendant que le voyant retour s'allume.

Par contre, cela n'est pas possible lorsque vous interrompez l'écoute avec la touche [STOP].

Pour arrêter la seconde écoute du disque, effleurer la touche [REPEAT] de nouveau, et le voyant [REPEAT] s'éteint. Après l'écoute du disque, le plateau s'arrête automatiquement. Pour arrêter pendant l'écoute, effleurer la touche sensitive marche/arrêt [START/STOP].

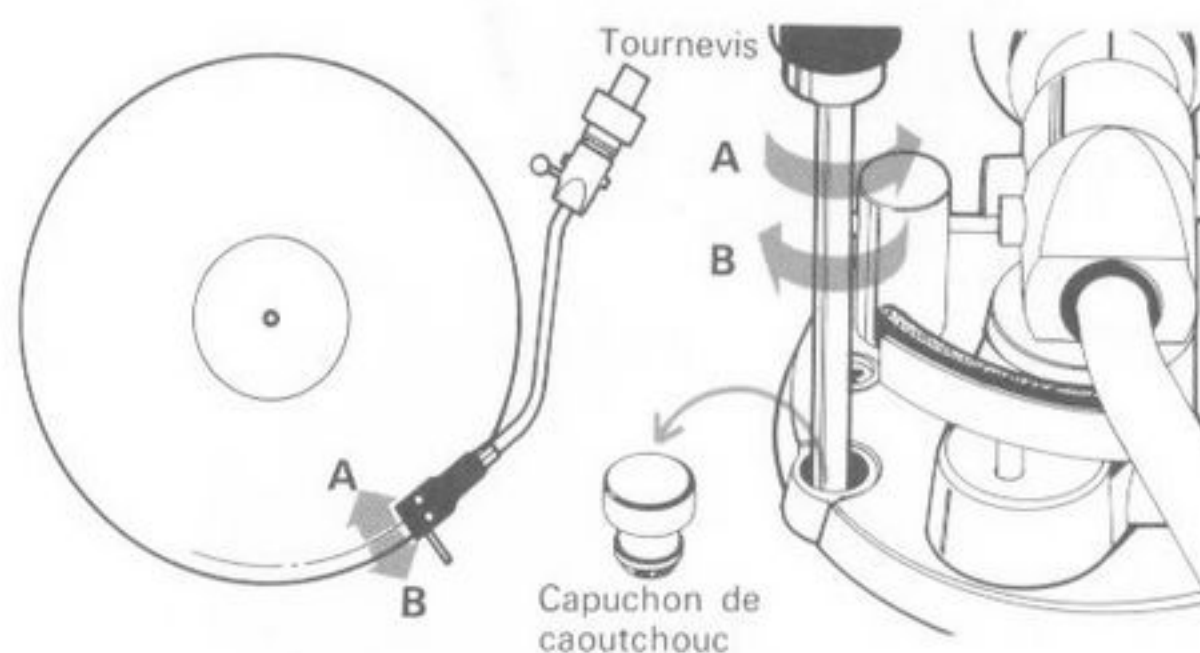
- Lorsque le sélecteur du diamètre des disques est placé sur MANUAL, le mécanisme de répétition ne fonctionne pas.

AJUSTEMENT DU POINT DE CHUTE DU BRAS

A l'usine, le bras a été ajusté pour permettre un correct point de chute lors de l'écoute automatique.

Sinon, procéder au réajustement de la façon suivante.

- 1 Retirer le capuchon de caoutchouc situé sur le côté gauche de la base du bras.
- 2 Introduire le tournevis fourni à l'intérieur du trou. Pour changer le point de chute vers l'intérieur... Tourner la vis vers la gauche. Pour changer le point de chute vers l'extérieur... Tourner la vis vers la droite.
- 3 Une fois que l'ajustement correct est parfaitement démontré à l'aide d'un disque 30 cm (12 pouces), le point de chute sera correct pour les disques 17 cm (7 pouces) et 25 cm (10 pouces).



ENTRETIEN

- L'axe du moteur ayant été lubrifié définitivement en usine, aucune autre lubrification n'est nécessaire pour le fonctionnement de cette table de lecture.
- Nettoyer le coffret et le couvercle protège poussière avec une étoffe douce. Ne pas utiliser de solvants tels que l'alcool, benzine qui pourraient endommager le coffret.
- Lorsque le disque de caoutchouc est sale, le nettoyer délicatement à l'aide d'une étoffe douce légèrement imbibée d'eau.

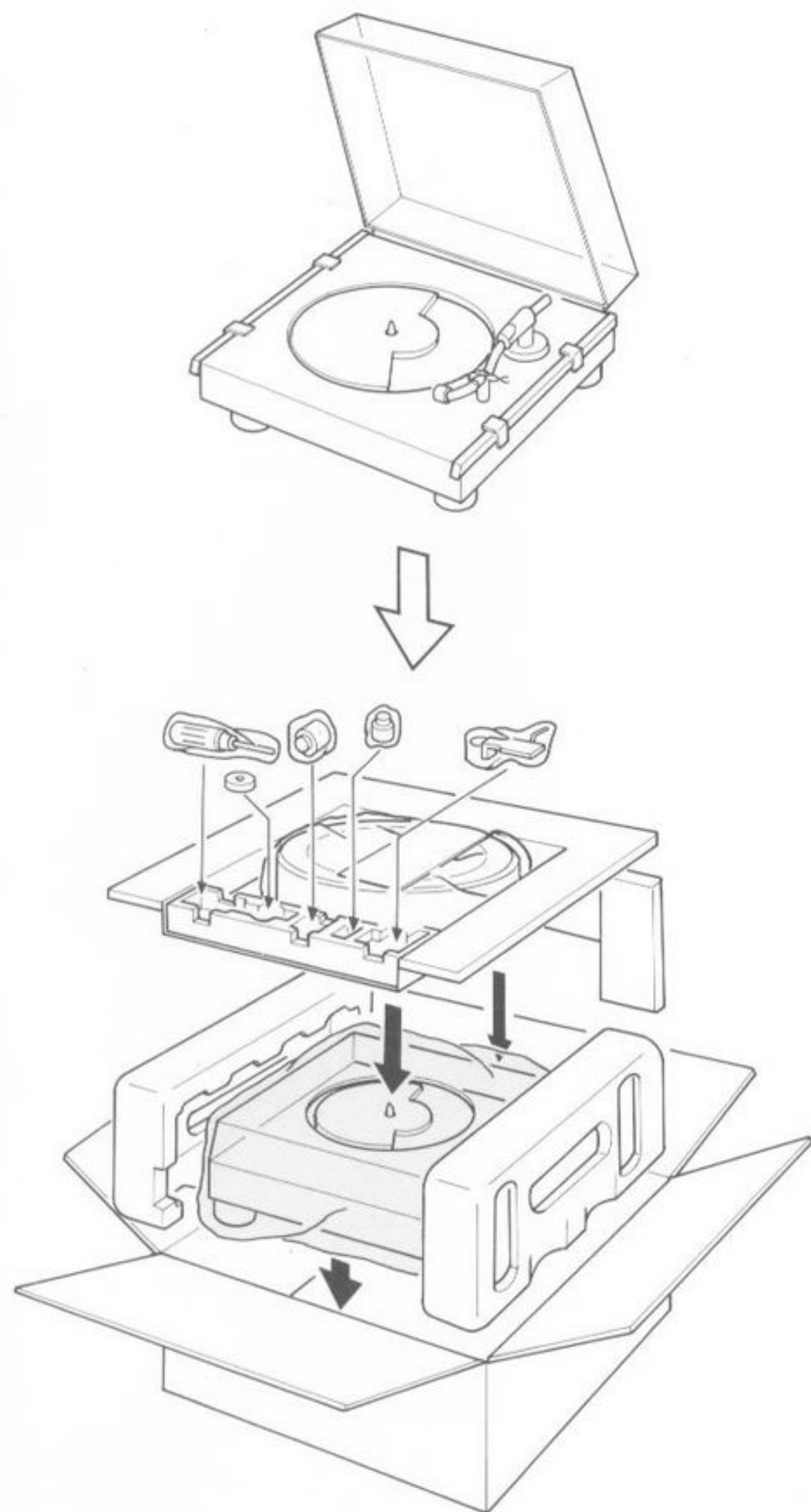
Remarque :

La grosse vis et les trois petites situées au fond de la table de lecture, sont ajustées de façon précise en usine pour permettre de maintenir la vitesse nominale du plateau tourne-disques. Ne pas essayer de les ajuster en aucune circonstance.

REMBALLAGE POUR L'EXPEDITION

Le carton d'emballage, dans lequel vous avez reçu l'appareil avec le matériel d'emballage intérieure, et que nous vous avons conseillé de conserver est idéal pour l'expédition, qu'il s'agisse d'envoyer l'appareil pour une réparation quelconque ou de le déménager. Pour sa protection, n'oubliez pas que l'appareil doit être emballé exactement comme vous l'avez reçu. L'illustration montre comment effectuer correctement le remballage.

● Tourner les deux vis de transport (pointes en rouge) à fond vers la droite de manière à immobiliser le transformateur d'alimentation sur le coffret.



SPECIFICATIONS

Plateau tourne-disques

Platine	31,4 cm (12 3/8"), alliage d'aluminium moulé
Moteur	Moteur à servo contrôlé par CC (sans balai)
Système d'entraînement	Entraînement direct
Vitesse	33 1/3 tours et 45 tours
Gamme de réglage de vitesse	±4%
Pleurage et scintillement	±0,045% (DIN)
	0,03% (WRMS)
Rapport signal/bruit	70 dB (DIN-B)

Bras de lecture

Type	Equilibre statique, universel
Longueur du pivot à la pointe	216,5 mm (8 1/2")
Longueur hors tout	300 mm (11 7/8")
Dépassement	16,5 mm (21/32")
Erreur de piste	Moins que $\begin{matrix} +3^\circ \\ -1^\circ \end{matrix}$
Gamme du réglage de la force d'appui de la pointe	0 - 3 g
Poids de la coquille	7,5 g
Gamme du poids de la cellule	4 - 10 g (sans le poids supplémentaire) 10 - 15,5 g (avec le poids supplémentaire)

Généralité

Alimentation	Type I: 110, 127, 220 ou 240 V CA~, ajustable, 50/60 Hz Type II: 100, 120, 220 ou 240 V CA, ajustable, 50/60 Hz
Consommation	Type I: 13 W Type II: 10 W
Dimensions	Env. 445 × 155 × 375 mm (l/h/p) (17 5/8 × 6 1/8 × 14 7/8 pouces)
Poids	Env. 10,3 kg (22 liv. 12 onces), net Env. 11,5 kg (25 liv. 6 onces), en carton d'emballage
Accessoires fournis	Rapporteur d'alignement Adaptateur 45 tours Entretoise de la cellule pour l'ajustement de la cellule Trois paires des vis de montage de cellule Tournevis Poids supplémentaire Coquille

La conception et les caractéristiques peuvent être modifiées sans préavis.

DEPANNAGE

Il est possible de remédier à la plupart des problèmes qui surviennent dans le fonctionnement de la table de lecture, en consultant attentivement la liste ci-dessous. Si, après avoir procédé à ces vérifications, le problème persiste, il convient de s'adresser au concessionnaire Sony.

Qualité tonale déformée

- La table de lecture n'est pas installée au niveau horizontal.
- La table de lecture est placée incorrectement ou près d'une enceinte acoustique.
- Pointe de lecture encrassée
- Pointe de lecture usée (Sa durée d'utilisation est d'à peu près 400 heures), ou disque défectueux
- La cellule est installée de façon incorrecte. (Voir page 16)
- Equilibre du bras incorrect. (Voir page 16)
- Force d'appui incorrecte (Voir page 17)
- Mise en place incorrecte du compensateur d'effet centripète (Voir page 17)
- Le plateau tourne-disques tourne à une vitesse incorrecte.

Aucune diffusion par un canal

- La coquille est mal fixée au bras. (Voir "Préparatif", page 16)
- Connexion lâche du cordon phono
- Niveau de volume d'un canal ajusté trop bas sur l'amplificateur
- Le fil conducteur de la coquille est connecté incorrectement. (Voir "Mise en place de la cellule", page 16)

Mauvaise tenue de la pointe de lecture sur le sillon, tendance du bras de lecture à déraper, le bras n'avance pas (répétition du même passage d'un disque)

- La table de lecture n'est pas installée au niveau horizontal.
- Force d'appui incorrecte (Voir page 17)
- Mise en place incorrecte du compensateur d'effet centripète (Voir page 17)
- Disque défectueux
- Les pieds à suspension sont mal ajustés.

Bourdonnement

- Connexion lâche du fil de terre à l'amplificateur
- Contact lâche entre la coquille et le bras (Voir "Préparatif", page 16)
- Connexion incorrecte des fils de la cellule (Voir "Mise en place de la cellule", page 16)

Bruit mécanique (ronronnement) ou hurlement se produisent à très basse fréquence pendant l'écoute de disque à un niveau sonore élevé (contre réaction acoustique*)

- Poser la table de lecture sur une surface solide.
- Placer la table de lecture aussi éloignée que possible des haut-parleurs.
- Si les remèdes indiqués ci-dessus ne permettent pas de corriger le problème, utiliser des isolateurs acoustiques conçus pour être installés entre les pieds et support de la table de lecture.

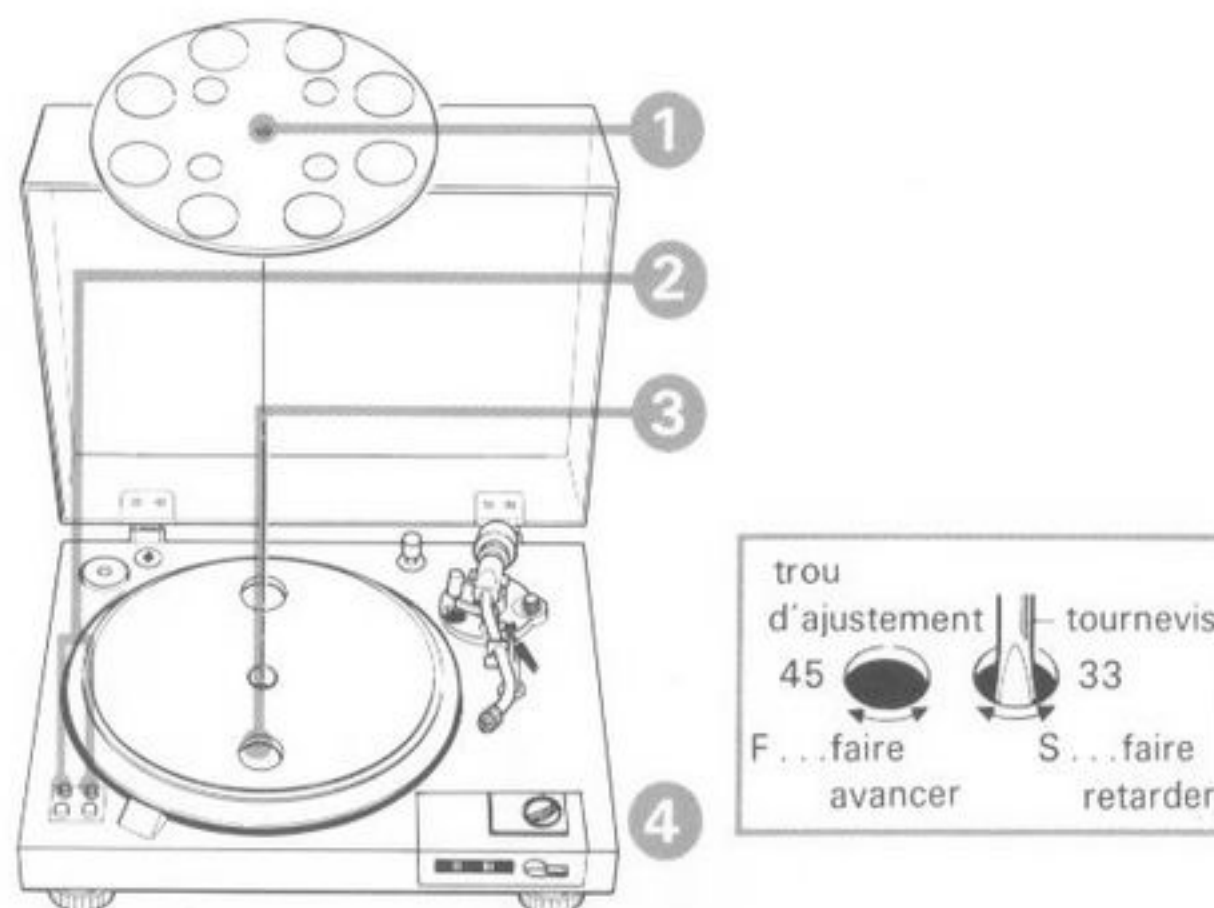
*Contre réaction acoustique: La vibration des haut-parleurs est transmise par l'air libre ou par des objets solides (meubles, plancher, etc.) à la table de lecture recueillie par le phonocapteur, puis est transmise amplifiée avec haut-parleurs.

AJUSTEMENT DE LA GAMME DE REGLAGE FIN

Si la vitesse correcte ne peut être obtenue en ajustant les réglages fins situés en avant sur le socle de la platine, réajuster les vis d'ajustement à demie fixées à l'intérieur de la table de lecture.

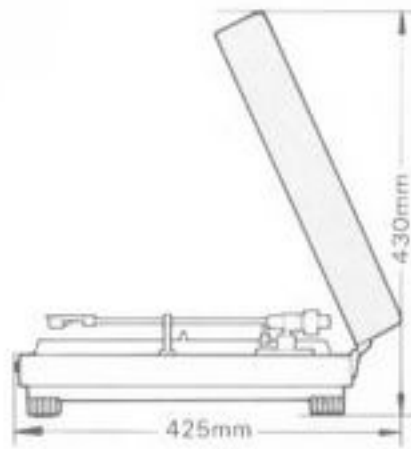
Pour le réglage de la vitesse 33 1/3 tours, tourner la vis (demie fixée) 33. Pour le réglage de la vitesse 45 tours, tourner la vis (demie fixée) 45.

- 1 Retirer le disque de caoutchouc.
 - 2 Centrer le réglage fin avant 33 ou 45.
 - 3 Tourner le plateau tourne-disque de sorte que le trou avant se présente en étant aligné avec l'autre trou et l'axe central. Introduire un petit tourne-vis à l'intérieur du trou d'ajustement et le tourner de la façon indiquée.
 - 4 Mettre l'interrupteur d'alimentation sur ON et s'assurer que la raie stroboscopique de votre fréquence du secteur demeure stationnaire.
- Après cet ajustement, l'on peut voir le stroboscope se déplacer légèrement, ceci étant dû aux variations de la fréquence du secteur qui affecte la lampe au néon de la table de lecture. Toutefois ce phénomène est négligeable en usage normal, car le moteur à servo contrôlé utilisé pour cet appareil, est conçu pour maintenir une vitesse nominale indépendamment des fluctuations de la fréquence du secteur.



HINWEISE ZUR AUFSTELLUNG

- Stellen Sie den Plattenspieler waagrecht auf.
- Lassen Sie hinter dem Gerät etwa 10 cm Platz, um den Klarsichtdeckel öffnen zu können.

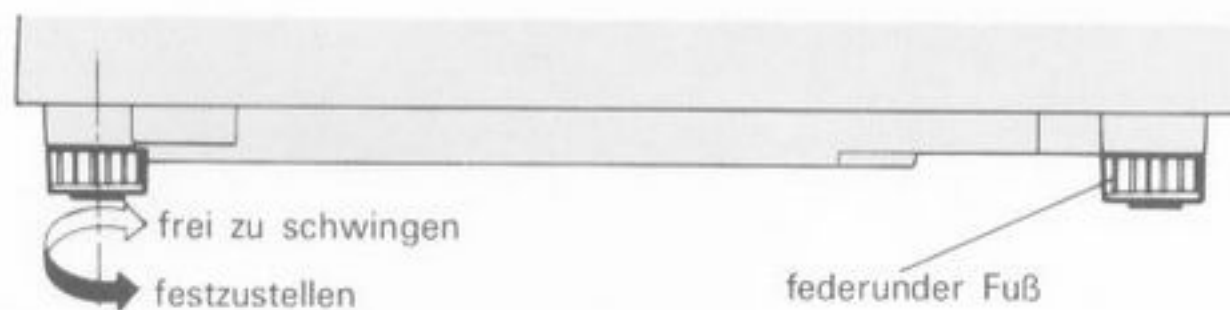


● Der Plattenspieler hat eine einteilige Basis, getragen von elastisch-federnden Füßen, die den Mechanismus vor Stößen und Vibrationen von außen schützen.

Drehen Sie die Füße gegen den Uhrzeigersinn und lassen Sie den Plattenteller frei schwingen.

Wenn Sie den Plattenspieler auf eine weiche Oberfläche stellen, drehen Sie die Füße im Uhrzeigersinn und stellen Sie sie fest, wengleich der Federeffekt in der festgestellten Position beseitigt wird.

Zur Nivellierung des Plattenspielers kann auch die Höhe dieser Füße verstellt werden. Bei einer unebenen Unterlage drehen Sie jeden Fuß entgegen dem Uhrzeigersinn, bis das Gerät waagrecht steht.



● Vermeiden Sie eine Aufstellung des Gerätes in der Nähe elektrischer Geräte (wie Fernseher, Haartrockner oder Leuchtstofflampen), die Brummen oder Störungen verursachen können.

● Vermeiden Sie jegliche Vibrationen (wie von Lautsprechern, Zuschlagen von Türen usw.).

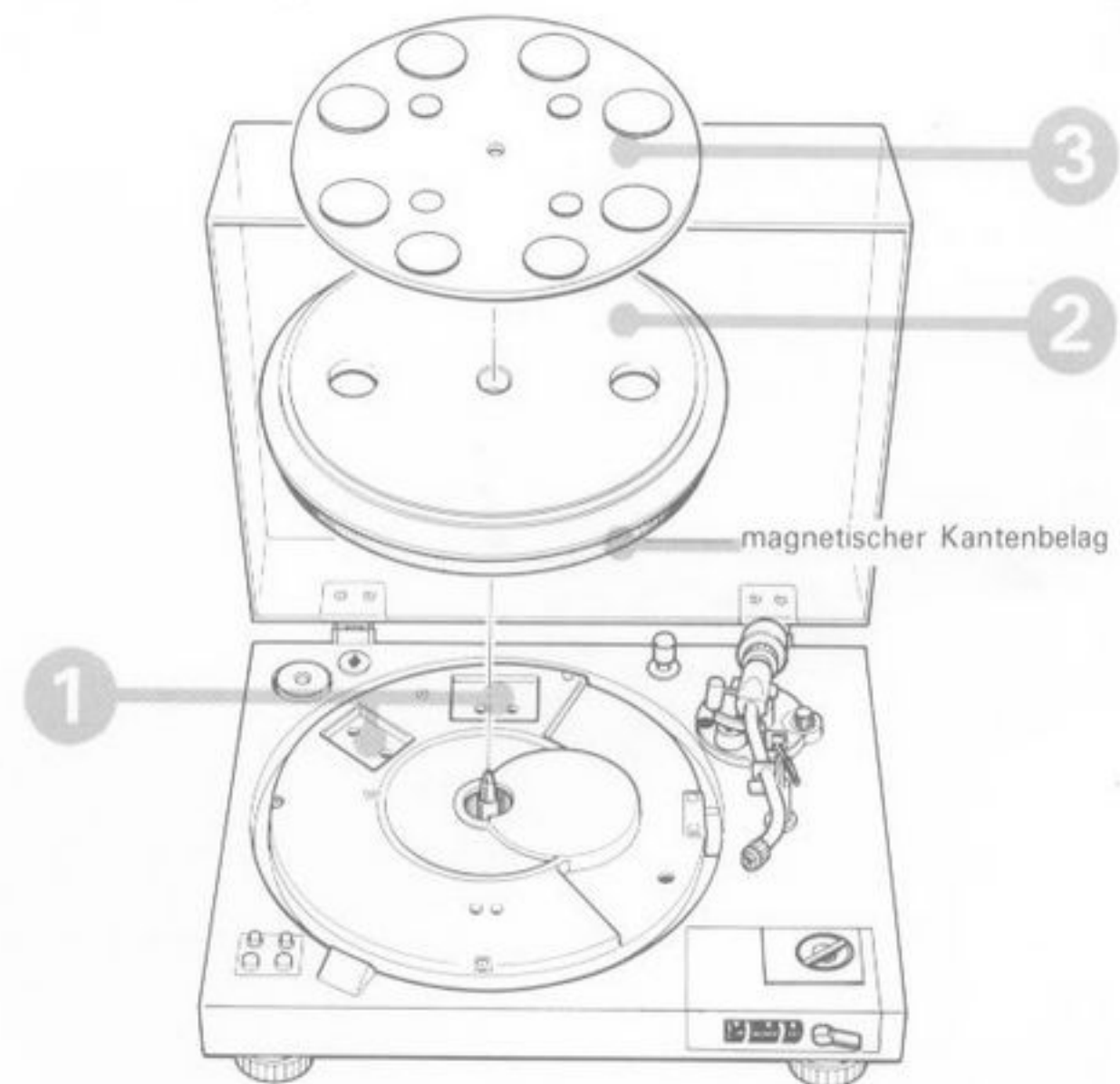
● Setzen Sie das Gerät nicht direkter Sonnenbestrahlung, extremen Temperaturen oder einem Übermaß an Staub oder Feuchtigkeit aus.

ZUSAMMENBAU DES PLATTENSPIELERS

Schließen Sie weder das Netzkabel noch die Verbindungskabel an, bevor Sie den Zusammenbau beendet haben.

Entfernen Sie alles Verpackungsmaterial und säubern Sie das Gehäuse.

Prüfen Sie nach, ob die federnden Füße ausgerastet sind.



① Entfernen Sie die beiden roten Arretierschrauben. Bewahren Sie sie in den Löchern am Warnschild auf. (Diese Schrauben werden beim Wiederverpacken benötigt. Siehe Anleitung zum Transport auf Seite 29.)

② Setzen Sie den Plattenteller vorsichtig auf die Motorplatte, indem Sie die Achsspindel in das Loch in der Mitte bringen.

● Berühren Sie den magnetischen Kantenbelag nicht mit den Fingern oder mit Werkzeugen, damit Sie ihn nicht zerkratzen und dadurch das Servo-Regelsystem beschädigen.

③ Legen Sie die Gummimatte auf den Plattenteller.

● Schließen Sie nie das Netzkabel an, wenn der Plattenteller nicht installiert ist, da sonst der Motor zu einer unkontrollierbaren Geschwindigkeit hochläuft.

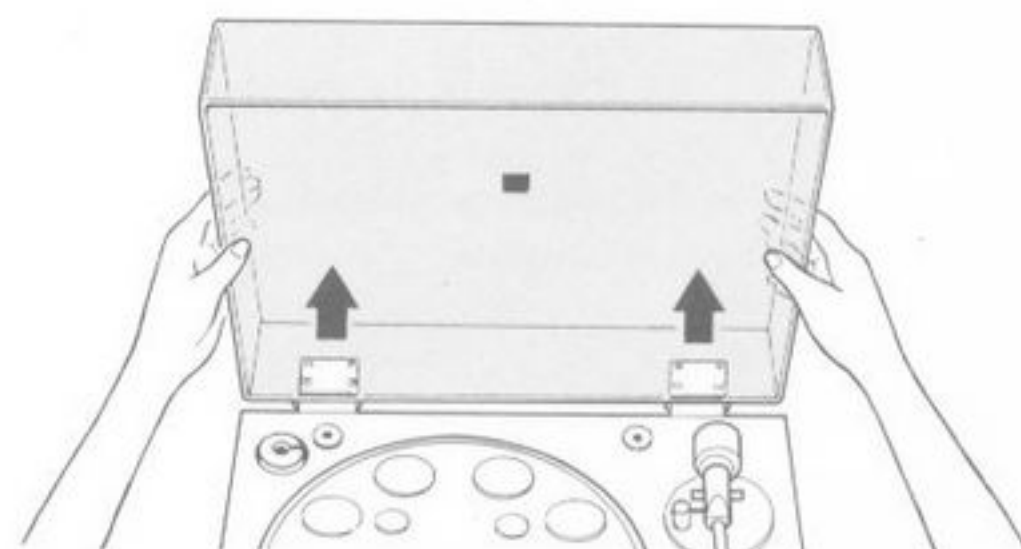
● Achten Sie darauf, daß keine Fremdkörper unter den Plattenteller geraten.

● Versuchen Sie nicht den Plattenteller mit der Hand gegen den Uhrzeigersinn zu drehen.

● Heben Sie den Originalkarton und das dazugehörige Verpackungsmaterial zum Wiederverwenden auf.

Abnehmen des Klarsichtdeckels

Öffnen Sie den Klarsichtdeckel, indem Sie ihn mit beiden Händen halten, und schieben Sie ihn nach hinten.

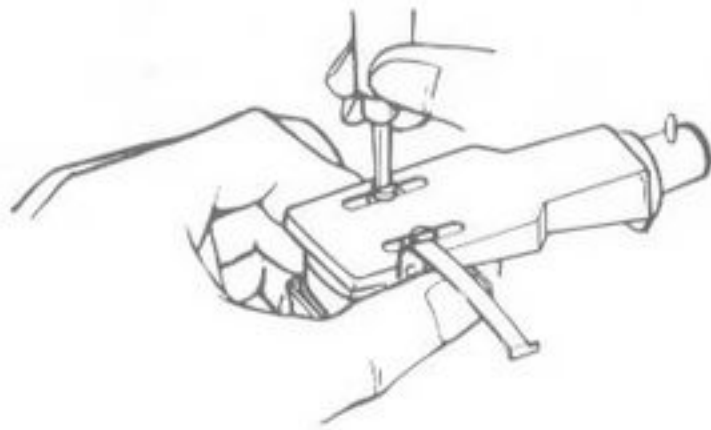


EINBAU EINES TONABNEHMERS

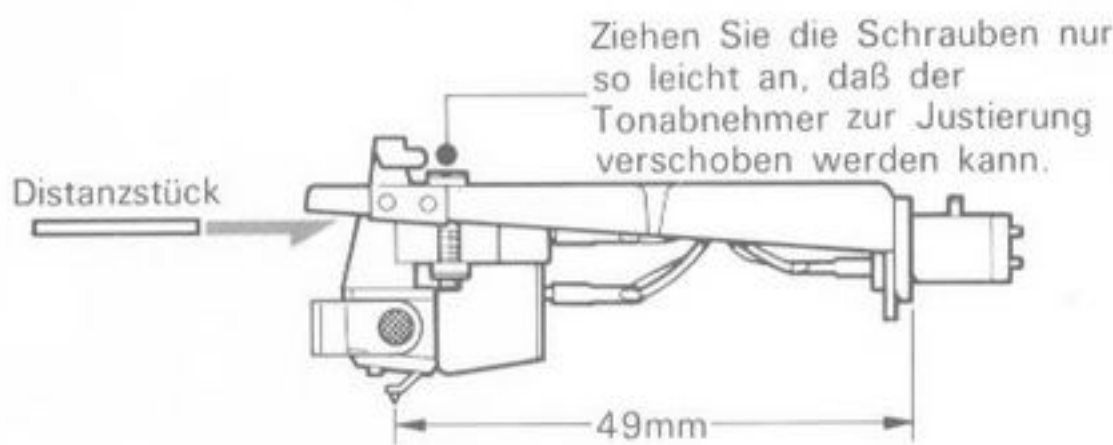
Ein Tonabnehmer mit einem Gewicht zwischen 4 und 10 g kann mit dem mitgelieferten Tonarmkopf (7,5 g) verwendet werden. Verwenden Sie für schwerere Tonabnehmer von 10 bis 15,5 g das Zusatzgegengewicht (mitgeliefert).

Wenn Sie andere Tonarmköpfe installieren, so verwenden Sie solche mit gleichem Gewicht und gleicher Höhe wie bei dem mitgelieferten Tonarmkopf.

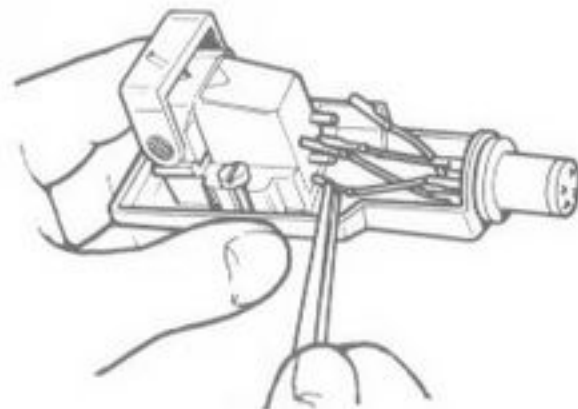
- 1 Wählen Sie die passende Länge der Befestigungsschrauben für den Tonabnehmer entsprechend der Höhe Ihres Tonabnehmers. (Drei Paar Schrauben verschiedener Länge sind mitgeliefert.)
- 2 Installieren Sie den Tonabnehmer mit den ausgewählten Schrauben so, daß der Abstand zwischen Tonarmkopffende und Nadelspitze 49 mm ist. Die vorläufige Überhangeinstellung ist damit beendet. Eine genauere Einstellung sollte später durchgeführt werden.



- Wenn die Vorderkante des Tonarmkopfes den Tonabnehmer blockiert und der erforderliche Abstand nicht erreicht werden kann, so setzen Sie das mitgelieferte Distanzstück unter dem Tonarmkopf ein.



- 3 Schließen Sie die Anschlußdrähte des Tonarmkopfes an die entsprechenden Stifte des Tonabnehmers an.



Drähte	Tonabnehmerstift
Weiß	L (Signal des linken Kanals)
Blau	LE oder G (Erde des linken Kanals)
Rot	R (Signal des rechten Kanals)
Grün	RE oder G (Erde des rechten Kanals)

- An der Oberseite des Plattenspielergehäuses befindet sich ein Tonarmkopfhalter für einen zusätzlichen angebrachten Tonabnehmer.

ZUSAMMENBAU UND JUSTIERUNG DES TONARMES

Schließen Sie weder das Netzkabel noch sonstige Verbindungskabel an, bevor der Zusammenbau und die Einstellungen beendet sind.

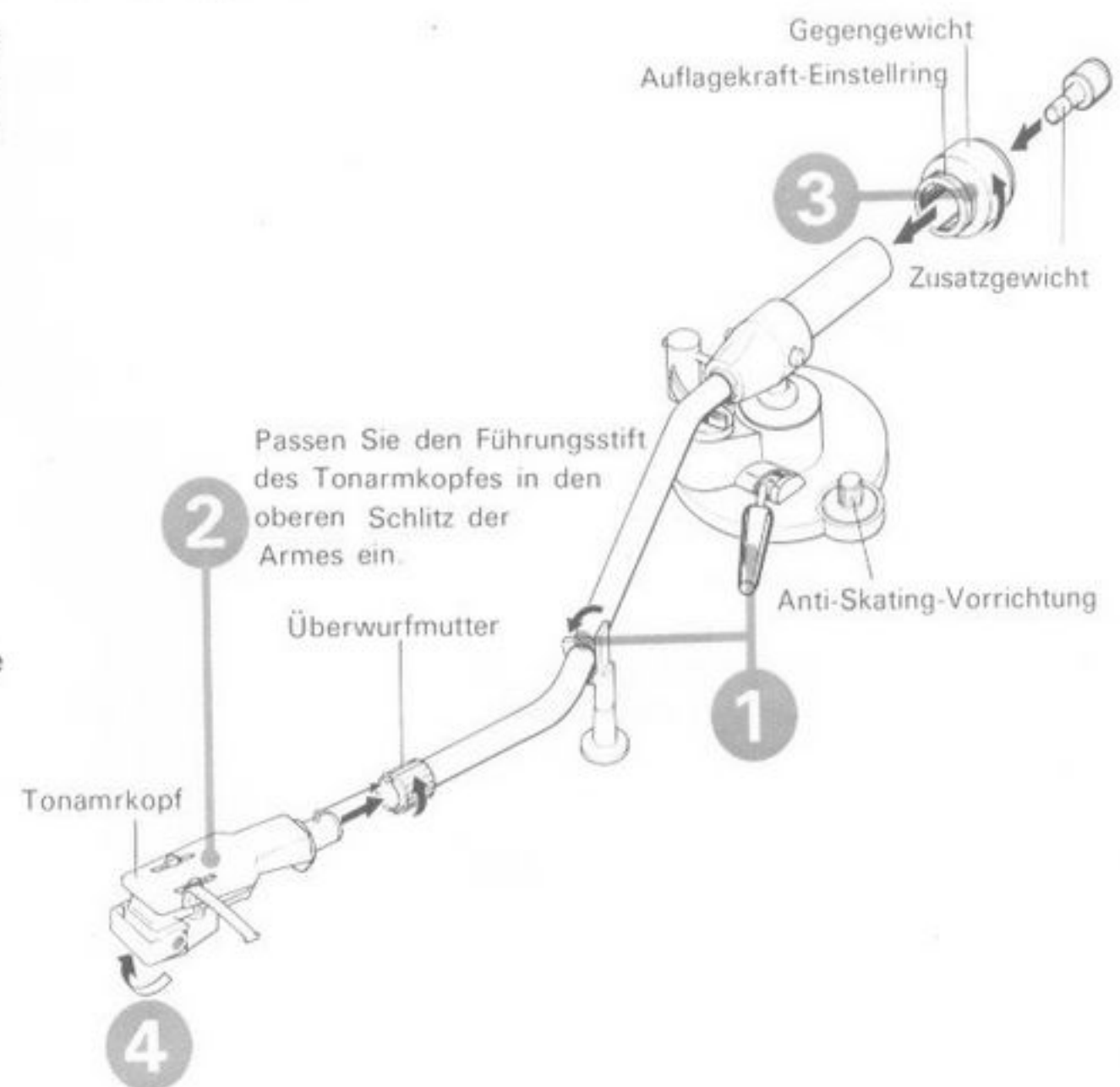
Führen Sie die folgenden Arbeitsgänge auf einer waagrechten Unterlage aus.

Achten Sie beim Einstellen darauf, die Nadelspitze nicht durch Anstoßen zu beschädigen.

Bei einem Wechsel des Tonabnehmers sind neue Einstellungen erforderlich.

Vorbereitung

- 1 Sichern Sie den Tonarm auf der Tonarmauflage und senken Sie den Tonarmlift ab.
- 2 Stecken Sie den Tonarmkopf auf den Tonarm und drehen Sie die Überwurfmutter nach links, bis der Tonarmkopf fest verriegelt ist.
- 3 Schieben Sie das Gegengewicht auf und drehen Sie es einige Male nach links. (Der Auflagekraft-Einstellring dreht sich gleichzeitig mit.)
- Wenn das Gewicht des Tonabnehmers zwischen 10 und 15,5 g liegt, so bringen Sie das mitgelieferte Zusatzgewicht am Armrohrende an.
- 4 Entfernen oder stellen Sie die Nadelschutzkappe nach oben, falls aufgesetzt.



Einstellung der Tonarmbalance *1

- 1 Achten Sie darauf, daß die Anti-Skating-Vorrichtung auf „0“ gestellt ist. Lösen Sie den Tonarm von seiner Auflage.



② Drehen Sie das Gegengewicht, soweit erforderlich, bis der Tonarm in der horizontalen Balancestellung ist. (Der Auflagekraft-Einstellring dreht sich gleichzeitig mit.)

Halten Sie den Tonarm leicht, um ein Anstoßen der Nadelspitze zu verhüten.



Lassen Sie den Tonarm los und überprüfen Sie die Balance. Wiederholen Sie diesen Schritt, bis der Arm ausbalanciert ist.

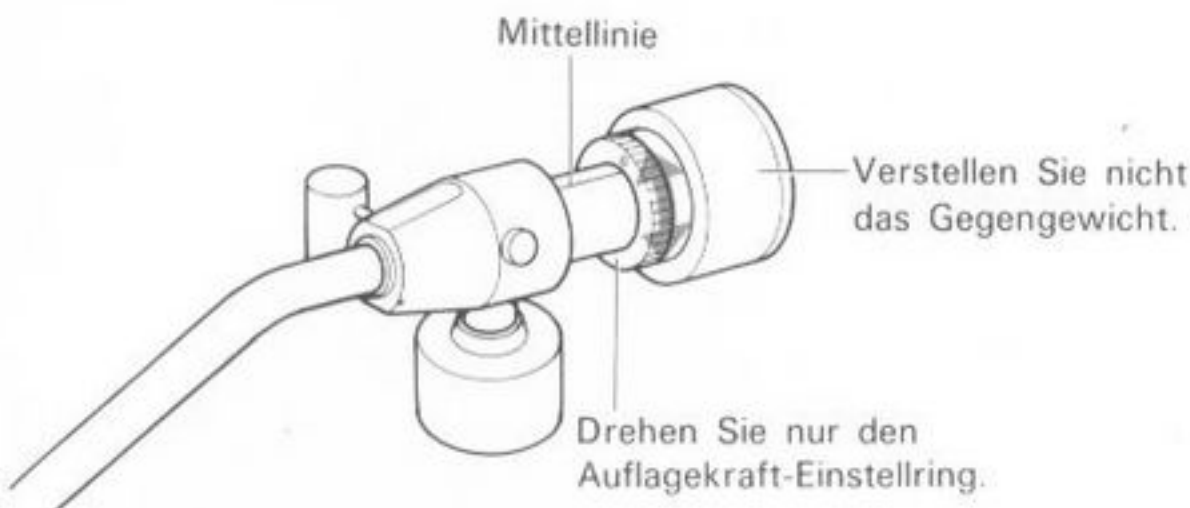


richtiges Ausbalancieren

Drehen Sie das Gewicht nach vorn.

Drehen Sie das Gewicht nach hinten.

③ Während Sie das Gegengewicht in der Gleichgewichtstellung festhalten, drehen Sie den Auflagekraft-Einstellring so, daß die Nullmarke „0“ mit der Mittellinie auf dem Tonarm zur Deckung kommt. Überprüfen Sie die Balance wieder.



Drehen Sie nur den Auflagekraft-Einstellring.

④ Ziehen Sie die Tonarmauflage hoch und drehen Sie sie nach links, sodaß die Tonarmauflage in ihre Normalstellung zurückkehrt. Sichern Sie den Tonarm wieder auf der Tonarmauflage.

Einstellung der Auflagekraft *2

Drehen Sie das Gegengewicht gegen den Uhrzeigersinn, bis das für den verwendeten Tonabnehmer empfohlene Gewicht über der Mittellinie des Tonarmes steht. Die maximal einstellbare Auflagekraft ist 3 Gramm.

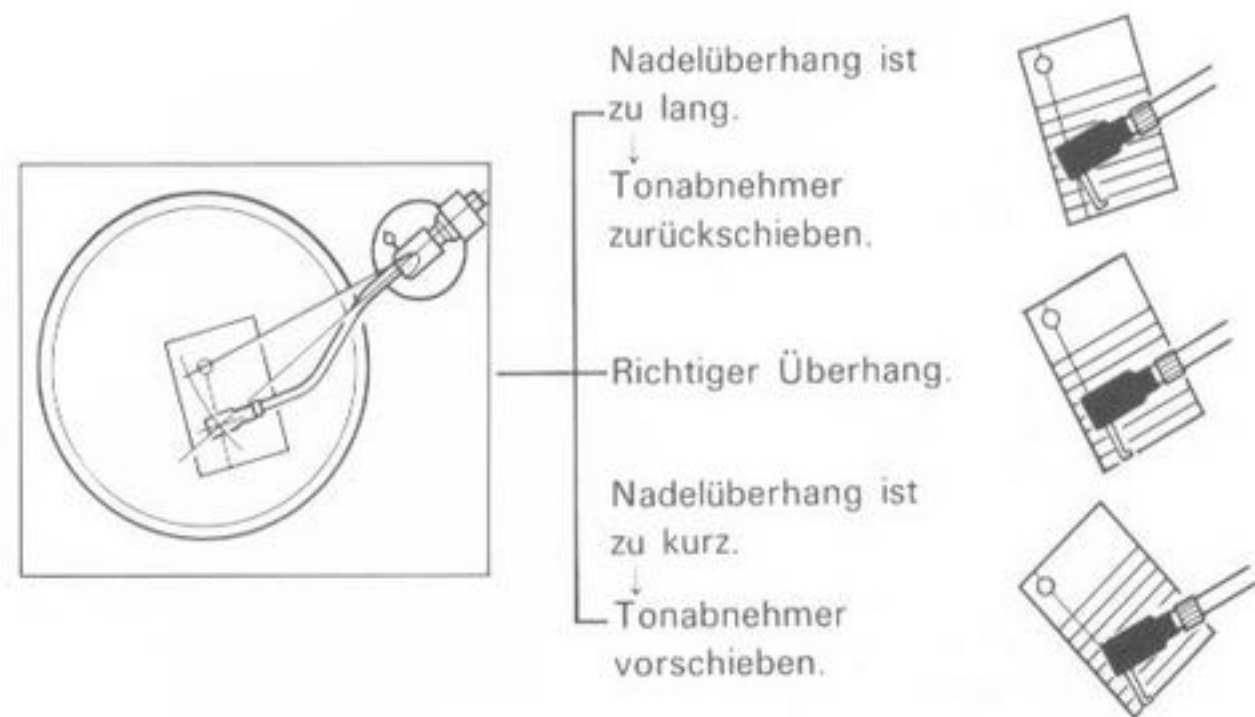


Der Auflagekraft-Einstellring dreht sich gleichzeitig mit.

Überprüfung des Überhangs *3

Überprüfen Sie, ob der Überhang der Nadel richtig eingestellt ist. Benutzen Sie dazu den mitgelieferten Winkelmesser. Zum Einstellen schließen Sie das Netzkabel an und schalten Sie den Netzschalter [POWER] ein.

- ① Stecken Sie den Winkelmesser mit dem Loch über die Achsspindel.
- ② Stellen Sie den Schallplattengrößewähler auf MANUAL and heben Sie den Tonarmlifthebel an.
- ③ Berühren Sie den metallischen Teil der START/STOP-Taste. Nach einigen Drehungen des Plattentellers schalten Sie dann den Netzschalter aus.
- ④ Bringen Sie den Tonarm über den Schnittpunkt der zwei feinen Linien und senken Sie mit dem Tonarmlift die Nadel vorsichtig auf den Schnittpunkt ab.
- ⑤ Überprüfen Sie, ob der Tonarmkopf parallel zu den dicken Linien des Winkelmessers steht, wie in der mittleren Abbildung gezeigt. Steht er parallel, ist der Nadelüberhang richtig eingestellt.



Nadelüberhang ist zu lang.

Tonabnehmer zurückschieben.

Richtiger Überhang.

Nadelüberhang ist zu kurz.

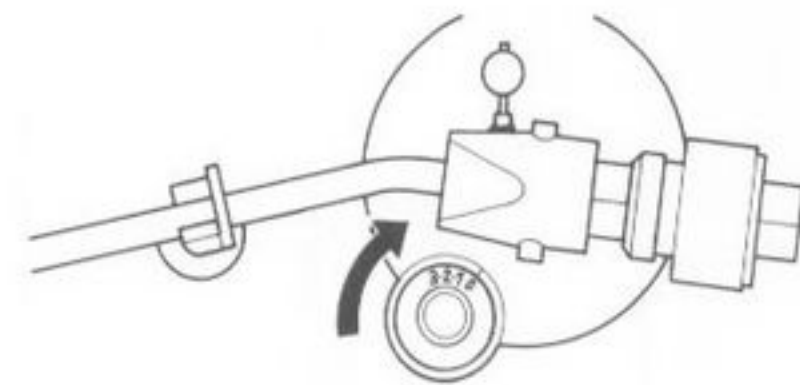
Tonabnehmer vorschieben.

⑥ Steht der Tonarmkopf nicht parallel, justieren Sie erneut den Nadelüberhang.

- 1) Lösen Sie die Befestigungsschrauben für den Tonabnehmer und verschieben Sie den Tonabnehmer.
- 2) Ziehen Sie die Schrauben wieder fest.
- 3) Überprüfen Sie die Tonarmbalance- und die Auflagekraft-einstellungen.

Anti-Skating-Vorrichtung *4

Drehen Sie die Anti-Skating-Vorrichtung so, daß ihre Einstellmarke über dem Wert der erforderlichen Auflagekraft zu stehen kommt.



Nachdem die Einstellungen beendet sind, bringen Sie die Nadelschutzkappe an.

*1 Einstellung der Tonarmbalance

Beim Abspielen einer Schallplatte wird das Gewicht des Tonarmes durch den ausbalancierten Drehpunkt gehalten und nur die eingestellte Auflagekraft wirkt auf die Spitze der Nadel. Um dies zu erreichen, muß der Tonarm horizontal ausbalanciert werden, wobei die Auflagekraft auf „0“ gestellt wird.

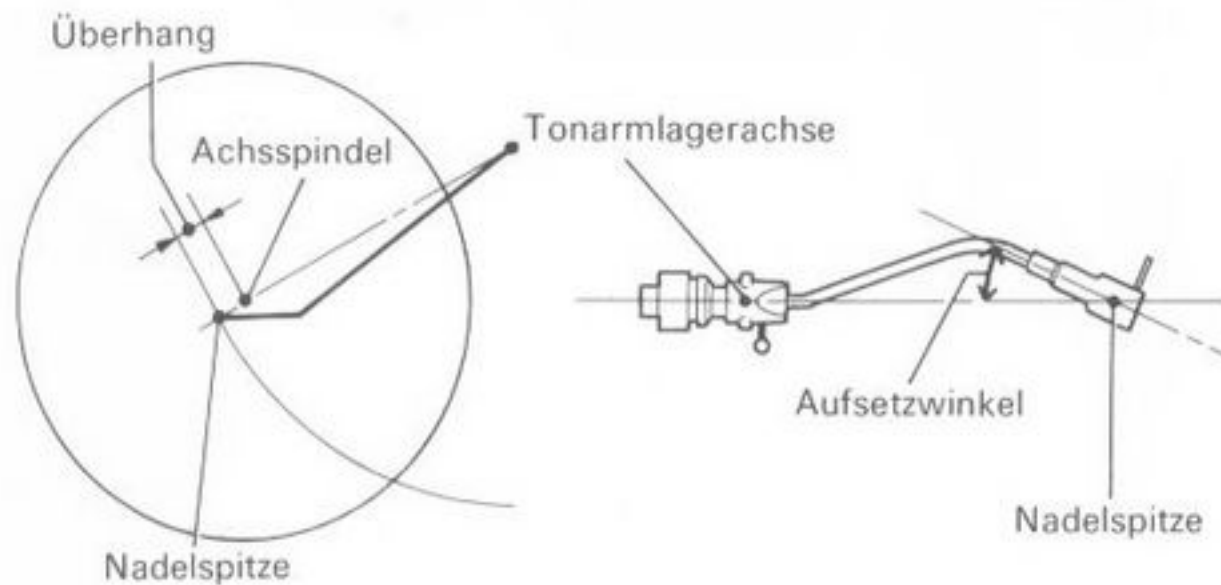
*2 Auflagekraft

Nach dem Einstellen der Tonarmbalance stellen Sie die empfohlene Auflagekraft ein, damit die Spitze der Nadel exakt in der Führungsrille der Schallplatte läuft.

*3 Überhang

Beim Abspielen von Schallplatten kann die Spitze der Nadel, bedingt durch die drehbare Aufhängung des Tonarmes, nur an einer Stelle der Schallplatte exakt tangential in der Führungsrille liegen. An allen anderen Stellen der Schallplatte kommt es zu leichten Abweichungen der Nadel von der tangentialen Berührung. Dies nennt man Spurenfehler und dadurch werden kleine Abweichungen in Amplitude und Schwingungszeit des wiedergegebenen Signals im Vergleich zum Originalsignal verursacht. Je nach Art des Tonabnehmers oder der Nadel können dadurch auch andere Arten von Verzerrungen erzeugt werden.

Der Spurenfehler wird durch die Wahl des optimalen „Aufsetzwinkels“ und des optimalen Überhangabstandes auf ein Mindestmaß herabgesetzt. Als Überhang bezeichnet man den Abstand zwischen der Nadelspitze und der Achsspindel. Die Überhangjustierung wird beim Einsetzen des jeweiligen Tonabnehmers vorgenommen, der Aufsetzwinkel ist vom Hersteller des Tonarms festgelegt.



*4 Anti-Skating-Vorrichtung

Beim Abspielen von Schallplatten erzeugt die Reibung zwischen Schallplattenrinne und Nadel eine Kraft, die den Tonarm in die Mitte der Schallplatte drücken will. Die Anti-Skating-Vorrichtung hebt diese Kraft auf und ist außerdem beim Einstellen der Auflagekraft mitberücksichtigt.

Unsachgemäße Anti-Skating-Kompensation führt zu Klangverzerrungen und ungleichmäßiger Abnutzung sowohl der Nadel als auch der Schallplatte.

BEHANDLUNG VON SCHALLPLATTEN

Vor dem Abspielen

● Reinigen Sie die Nadel mit einem weichen Pinsel (Nadelpinsel, Kunstmalerpinsel usw.). Streifen Sie damit die Nadel von hinten nach vorne. Versuchen Sie nie die Nadel mit der Fingerspitze zu reinigen.

● Für die gewöhnliche Reinigung von Schallplatten ist ein leicht angefeuchtetes weiches Tuch (Gaze usw.) oder ein flüssiger Plattenreiniger zweckmäßig. Wenn ein Sprühplattenreiniger verwendet wird, so überzeugen Sie sich, daß er völlig getrocknet ist, bevor Sie die Schallplatten abspielen. Abspielen, bevor das Reinigungsmittel getrocknet ist, kann die Schallplatten beschädigen. Es ist nicht ungeschickt, die Schallplatten vor dem Weglegen erneut zu reinigen.

● Halten Sie eine Schallplatte am Rand und berühren Sie nicht die Schallrillen. Fingerabdrücke auf der Schallplattenoberfläche können Staubansammlung verursachen, welche die Wiedergabe beeinträchtigen.

Beim Abspielen von Schallplatten

● Es wird empfohlen, vor dem Absenken des Tonarmes auf die Schallplatte die Lautstärke des Verstärkers zu verringern.

● Versuchen Sie nicht, den Plattenteller anzuhalten oder gegen den Uhrzeigersinn zu drehen, während der Plattenspieler eingeschaltet ist.

● Schließen Sie den Klarsichtdeckel beim Abspielen. Legen Sie nichts auf den Klarsichtdeckel.

● Versuchen Sie beim Abspielen nicht, den Plattenspieler zu bewegen oder den Tonarm zu berühren.

Nach dem Abspielen

● Vermeiden Sie es, Schallplatten irgendwelchen Wärmequellen auszusetzen, wie etwa direktem Sonnenlicht, einem Warmluftstrom o.ä. Bewahren Sie Schallplatten senkrecht aufgestellt auf, ohne irgendwelchen Druck und ohne sie schrägzustellen. Dies schützt sie am besten vor dem Verziehen.

● Schließen Sie den Klarsichtdeckel, wenn Sie den Plattenspieler nicht verwenden.

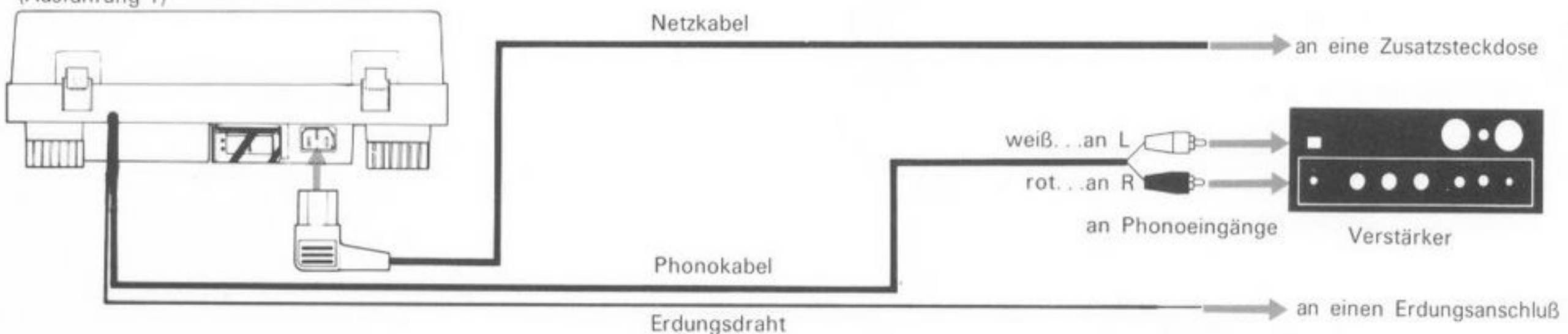
Weitere Hinweise

● Legen Sie nur Schallplatten auf den Plattenteller.

● Legen Sie außer dem zusätzlichen Tonabnehmer und dem Mittelstück für 45 UpM-Platten nichts anderes auf den Plattenspieler.

ANSCHLÜSSE

(Ausführung I)



● Beim Anschließen an eine Zusatzsteckdose des Verstärkers verwenden Sie ein ungeschaltete Typ.

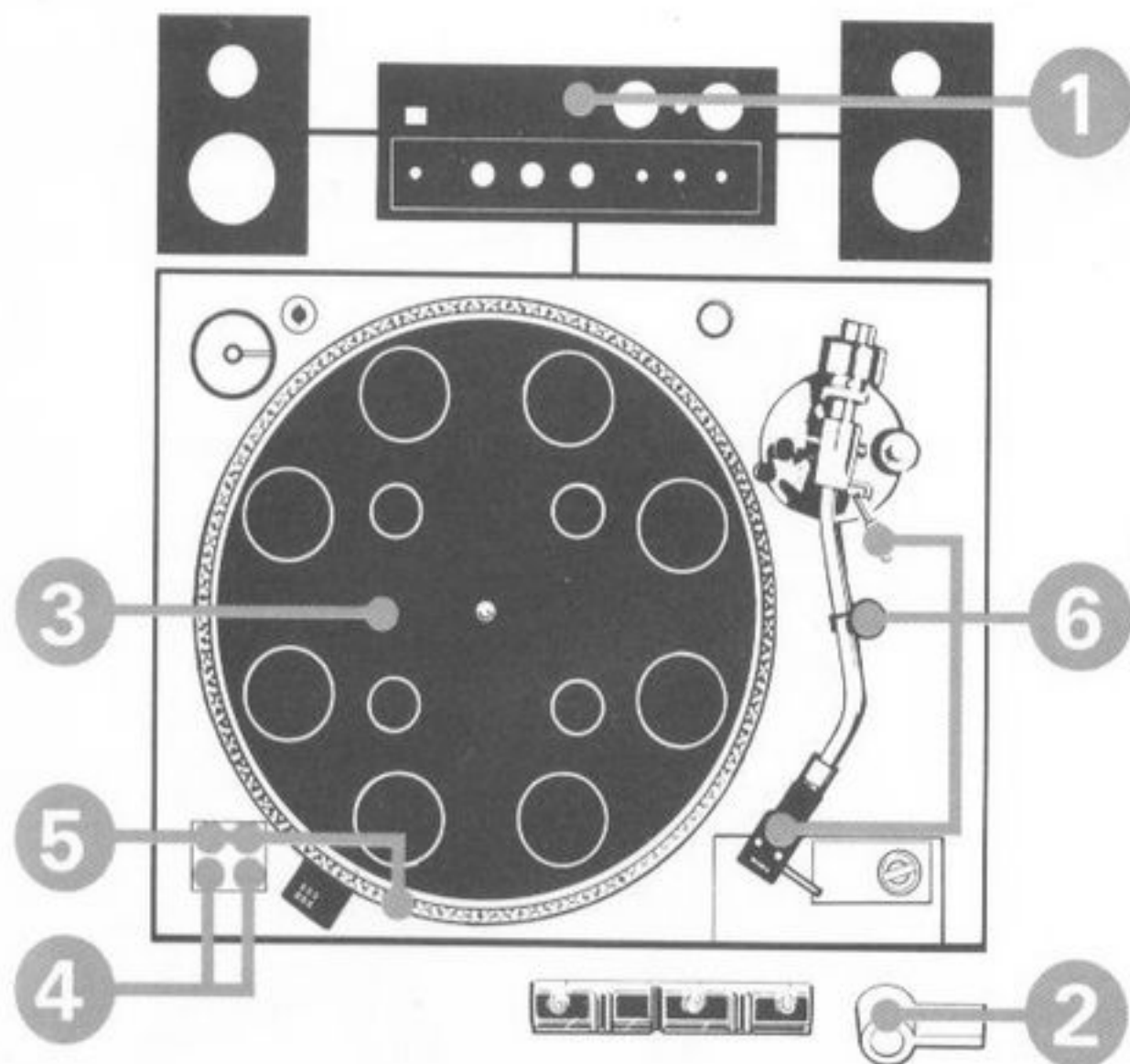
● Wenn Sie das abnehmbare Netz Kabel für den Plattenspieler von Ausführung I verwenden, schließen Sie es zuerst an die Netzanschlußbuchse [AC IN] des Plattenspielers und dann an die Zusatzsteckdose des Verstärkers.

● Achten Sie darauf, daß Phono- oder Netz Kabel nicht von einem Gehäusefuß eingeklemmt werden.

● Lassen Sie die Verbindungskabel etwas locker, um unbeabsichtigte Stöße oder Vibrationen auszugleichen.

PLATTENSPIELER-BETRIEB

VORBEREITUNG



1 Verringern Sie die Lautstärke des Verstärkers. Schalten Sie den Verstärker ein und stellen Sie den Eingangswähler des Verstärkers auf PHONO.

2 Schalten Sie den Netzschalter [POWER] ein. (Die Neonlampe für die Stroboskopscheibe leuchtet auf.)

3 Legen Sie eine Schallplatte auf den Plattenteller. Bringen Sie für 17 cm Schallplatten mit großem Mittelloch das mitgelieferte Mittelstück für 45 UpM-Platten auf die Achsspindel. Wenn ein anderes als das mitgelieferte Mittelstück verwendet wird, kann es sein, daß die automatische Spürvorrichtung des Tonarmes nicht genau arbeitet.

4 Drücken Sie je nach der Drehzahl der Schallplatte entweder die Taste „33“ oder die Taste „45“

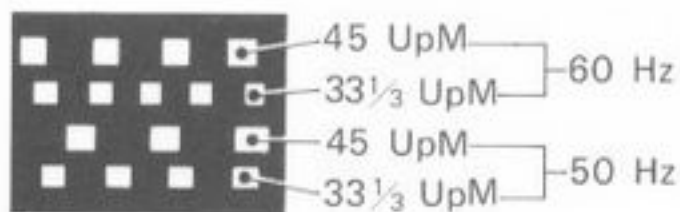
5 Stellen Sie die Geschwindigkeitsfeinregelung ein.

1) Stellen Sie den Schallplattengrößenwähler auf MANUAL.

2) Berühren Sie den metallischen Teil der START/STOP-Taste. Die Startlampe leuchtet dann auf und der Plattenteller beginnt sich zu drehen.

3) Stellen Sie unter Beobachtung des Stroboskops die Geschwindigkeit mit der Geschwindigkeitsfeinregelung so ein, daß das Stroboskopmuster stillzustehen scheint.

Verwenden Sie bei einer Netzfrequenz von 60 Hz die beiden oberen Linien, bei 50 Hz die beiden unteren Linien.



Wenn sich das Muster nach rechts bewegt, so drehen Sie die Feinregelung in Richtung „F“ (schnell).

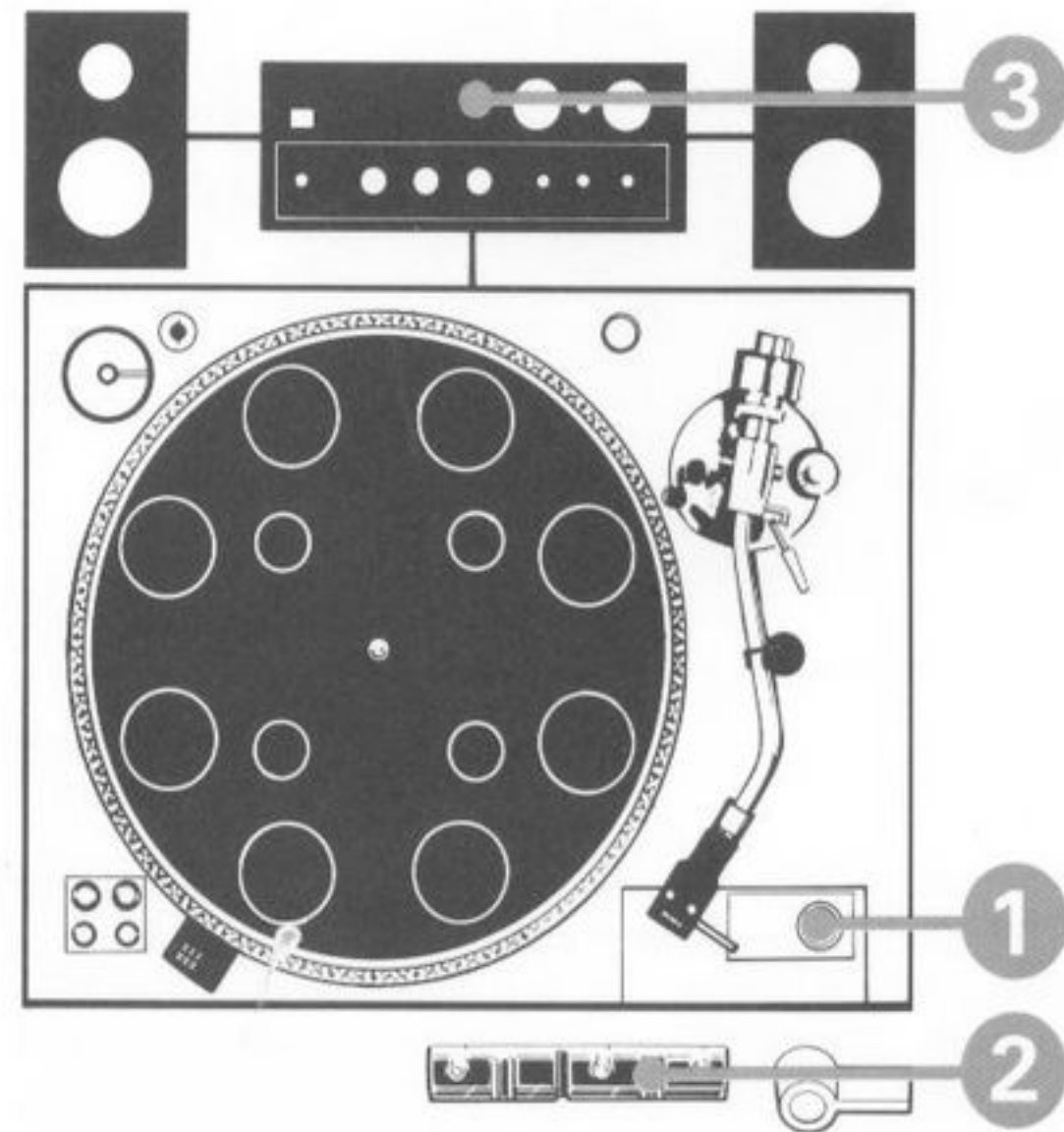
Wenn sich das Muster nach links bewegt, so drehen Sie die Feinregelung in Richtung „S“ (langsam).

4) Drücken Sie erneut auf die START/STOP-Taste. Die Rückkehranzeigelampe leuchtet dann auf und der Plattenteller hält an.

6 Entfernen Sie die Nadelschutzkappe und lösen Sie die Verriegelung der Tonarmauflage. Vergessen Sie nicht, den Tonarmlifthebel abzusenken.

● Bitte stellen Sie durch Blick auf die Anzeigelampen fest, in welcher Betriebsart sich der Plattenspieler befindet, da bei jeder Berührung einer Funktionstaste das Gerät aktiviert oder freigegeben wird.

AUTOMATIKBETRIEB



1 Wählen Sie entsprechend der Schallplattengröße die korrekte Position des Schallplattengrößenwählers.

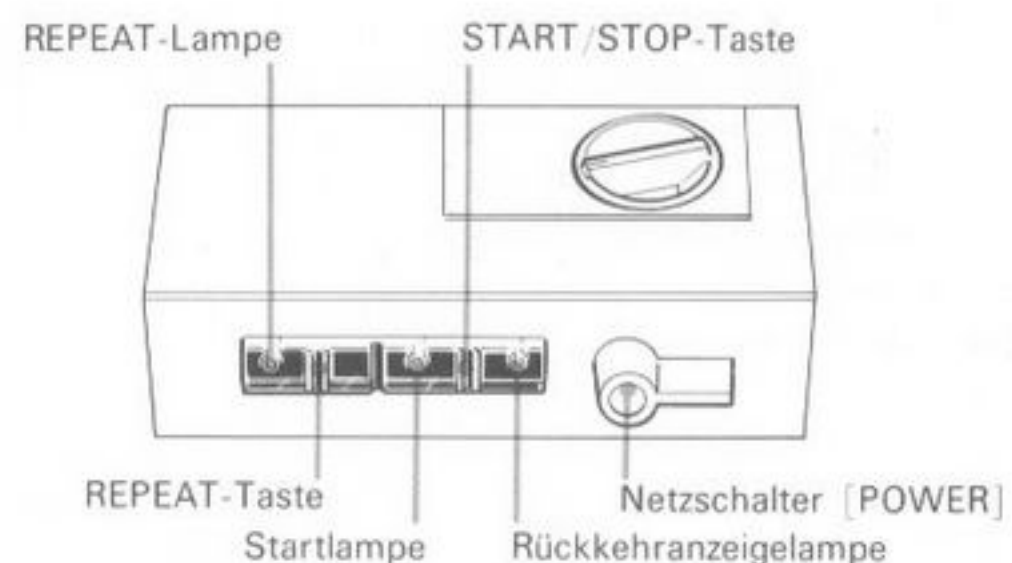
Vergewissern Sie sich bitte, daß die Einstellung des Schallplattengrößenwählers der Schallplattengröße entspricht, da sonst der Tonarm außerhalb der Schallplatte abgesenkt und die Nadelspitze beschädigt werden kann.

2 Berühren Sie den metallischen Teil der START/STOP-Taste. Die Startlampe leuchtet dann auf, der Tonarm bewegt sich automatisch, senkt sich auf die Schallplatte ab und die Wiedergabe beginnt.

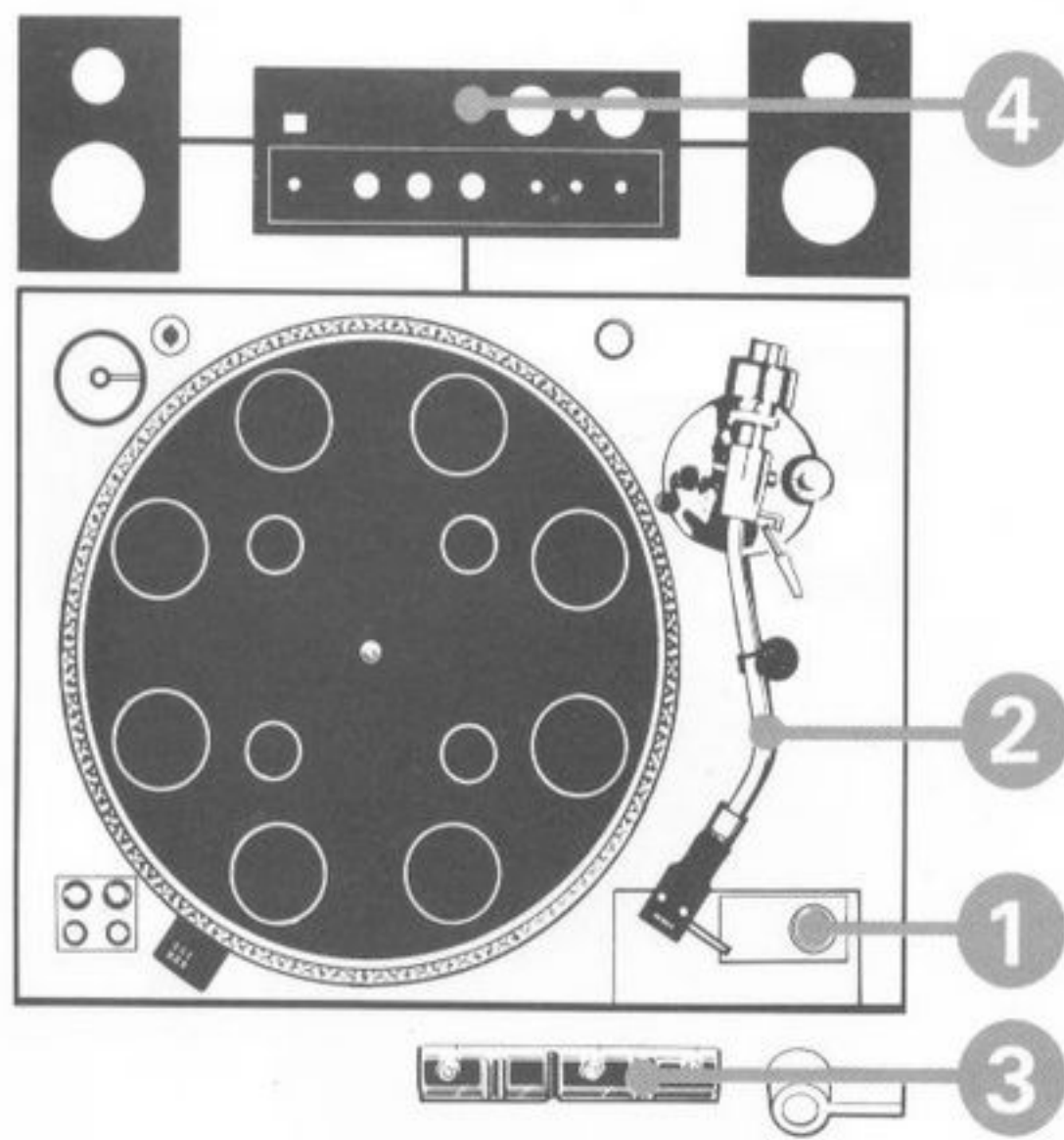
3 Stellen Sie Lautstärke, Stereobalance und Klangqualität nach Ihrem Geschmack am Verstärker ein.

4 Nach dem Abspielen kehrt der Tonarm automatisch auf die Tonarmaufgabe zurück. Berühren Sie zum Anhalten des Plattenspielers bei Wiedergabe die START/STOP-Taste. Die Rückkehranzeigelampe leuchtet dann auf und der Tonarm kehrt auf die Tonarmaufgabe zurück.

5 Schalten Sie den Netzschalter [POWER] aus, nachdem der Tonarm vollständig auf die Tonarmaufgabe zurückgekehrt ist. Wenn der Netzschalter [POWER] während der Tonarmrückkehr ausgeschaltet wird, startet das Gerät beim nächsten Mal nicht korrekt.



MANUELLER BETRIEB



- 1 Stellen Sie den Schallplattengrößewähler auf MANUAL.
- 2 Bringen Sie den Tonarm über die Anfangsrille der Schallplatte oder über die Stelle, die Sie hören wollen. (Jede beliebige Stelle der Schallplatte ist möglich.)
- 3 Berühren Sie die START/STOP-Taste. Der Plattenteller läuft dann an und der Tonarm senkt sich automatisch auf die Schallplatte ab.
- 4 Stellen Sie Lautstärke, Stereobalance und Klangqualität nach Ihrem Geschmack am Verstärker ein.
- 5 Nach dem Abspielen kehrt der Tonarm automatisch auf die Tonarmauflage zurück. Berühren Sie zum Anhalten des Plattenspielers bei Wiedergabe die START/STOP-Taste. Die Rückkehranzeigelampe leuchtet dann auf und der Tonarm kehrt auf die Tonarmauflage zurück.
- 6 Schalten Sie den Netzschalter [POWER] aus, nachdem der Tonarm vollständig auf die Tonarmauflage zurückgekehrt ist.

- Wenn Sie den Tonarm über das Etikett in der Mitte der Schallplatte bringen, während sich der Plattenteller dreht, so kann der Tonarm durch den automatischen Rückkehrmechanismus auf die Tonarmauflage zurückgebracht werden.

WIEDERHOLBETRIEB

Berühren Sie für wiederholtes Abspielen einer Schallplatte die Taste REPEAT, während sich der Plattenspieler in Automatikbetrieb befindet. Die Lampe REPEAT leuchtet dann auf und die Schallplatte wird erneut abgespielt.

Die Wiederholfunktion kann auch aktiviert werden, während die Rückkehranzeigelampe leuchtet. Sie wird jedoch nicht aktiv, wenn das Abspielen durch die START/STOP-Taste angehalten worden ist. Berühren Sie zur Beendigung des Wiederholbetriebs erneut die Taste REPEAT, wodurch die Lampe REPEAT ausgeht. Nach dem Abspielen der Schallplatte wird der Plattenteller automatisch angehalten.

Berühren Sie zum Abstellen während der Wiedergabe die START/STOP-Taste.

- Wenn der Schallplattengrößewähler auf MANUAL steht, arbeitet der Wiederholmechanismus nicht.

EINSTELLUNG DES TONARMABSENKPUNKTES

Der Tonarm ist im Werk auf den korrekten Absenkpunkt für Automatikbetrieb eingestellt worden.

Falls eine Neueinstellung erforderlich ist, so verfahren Sie wie folgt.

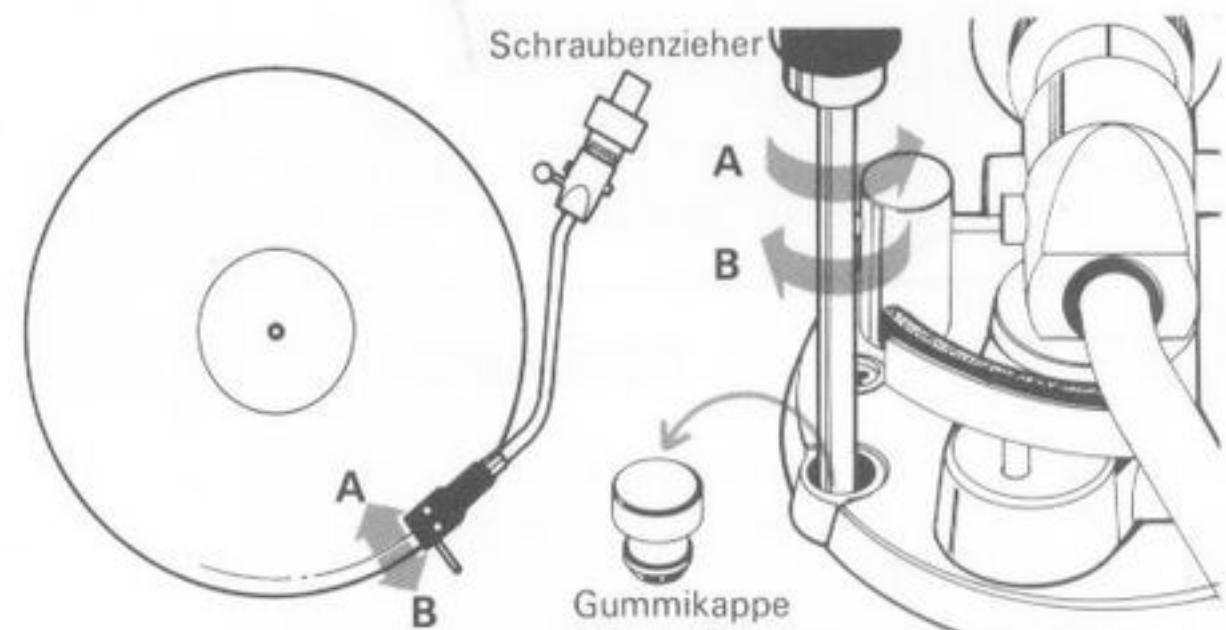
- 1 Entfernen Sie die Gummikappe aus dem Einstelloch für den Tonarmabsenkpunkt an der linken Seite der Tonarmbasis.

- 2 Führen Sie den mitgelieferten Schraubenzieher in das Loch ein.

Zur Verlegung des Absenkpunktes nach innen: Drehen Sie die Schraube nach links.

Zur Verlegung des Absenkpunktes nach außen: Drehen Sie die Schrauben nach rechts.

- 3 Durch korrekte Einstellung für eine 30 cm Schallplatte wird der Absenkpunkt auch für 17 cm und 25 cm Schallplatten richtig eingestellt.



WARTUNG UND PFLEGE

- Kein Ölen ist für diesen Plattenspieler erforderlich. Die Motorwelle ist fabrikseitig für die Gesamtlebensdauer des Gerätes geölt.

- Reinigen Sie das Gehäuse und den Deckel regelmäßig mit einem weichen, trockenen Tuch. Benutzen Sie keine chemischen Reinigungsmittel wie Alkohol, Benzin oder Farbverdünner, da diese das Gerät beschädigen.

- Ist die Gummimatte schmutzig geworden, reinigen Sie sie vorsichtig mit einem mit Wasser angefeuchteten Tuch.

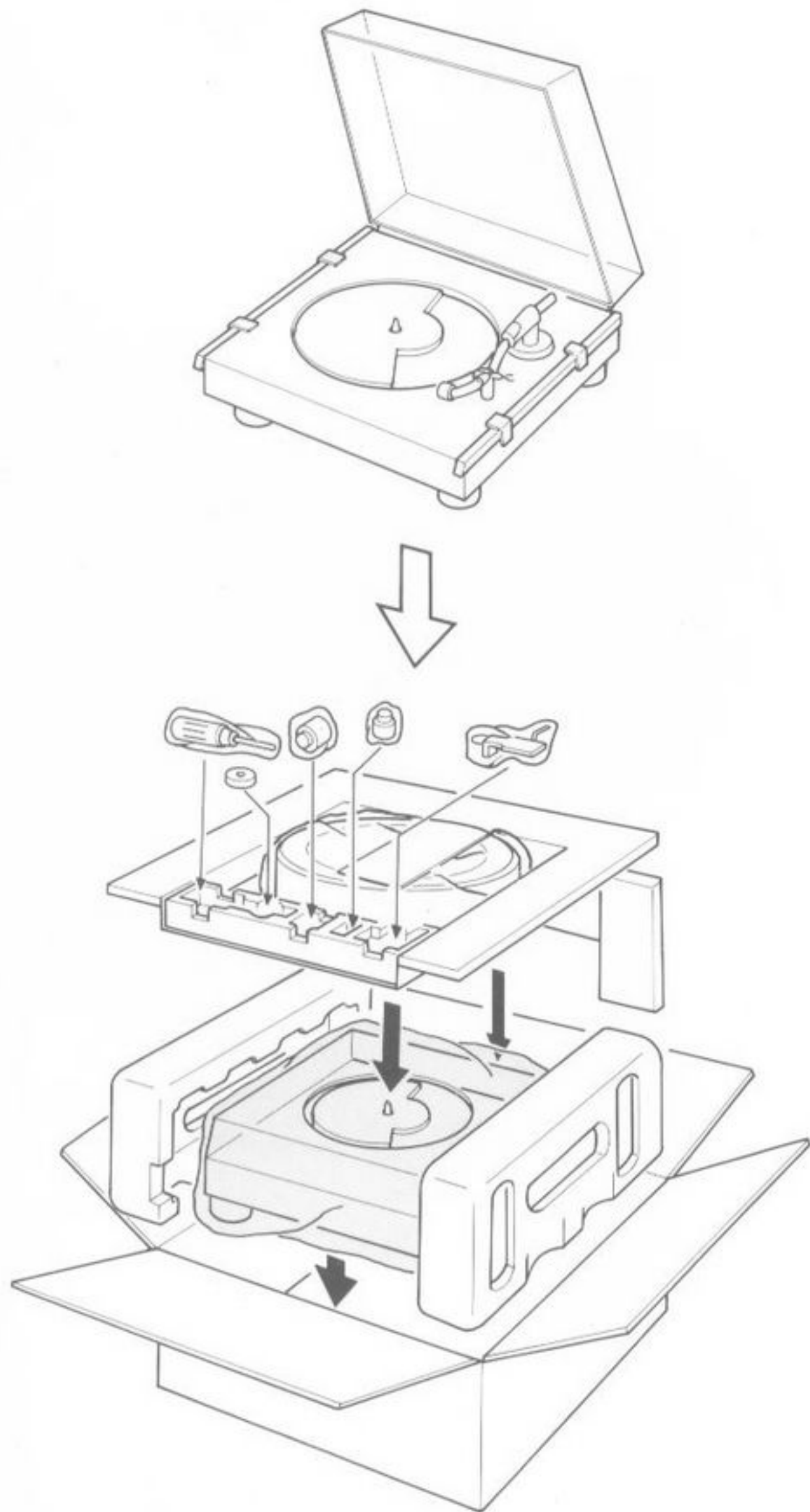
Hinweis:

Die eine große und die drei kleinen Schrauben an der Unterseite des Plattenspielers sind im Werk präzise eingestellt worden, um die Nennzahl des Plattentellers aufrechtzuerhalten. Verstellen Sie diese Schrauben auf keinen Fall.

WIEDERVERPACKEN ZUM TRANSPORT

Der Originalkarton und das dazugehörige Verpackungsmaterial (das Sie auch aufbewahren sollten) sind die bestmögliche Verpackung für den Transport des Gerätes zur Reparatur bzw. beim Umzug. Um den wirklich besten Schutz zu gewährleisten, muß das Gerät in diesem Verpackungsmaterial genau wie bei der Lieferung verpackt werden. Der richtige Verpackungsvorgang ist aus der Abbildung ersichtlich.

●Drehen Sie die zwei roten Arretierschrauben im Uhrzeigersinn, um den Netztransformator am Rahmen festzuklemmen.



TECHNISCHE DATEN

Laufwerk	
Plattenteller	31,4 cm, Spritzguß aus Alu-Legierung
Motor	servogesteuerter Gleichstrommotor (kontaktlos)
Antriebssystem	Direktantrieb
Drehzahlen	33 1/3 UpM, 45 UpM
Drehzahlfeinregulierungsbereich	±4%
Gleichlaufschwankungen	±0,045% (DIN) 0,03% (WRMS)
Signal-Rauschabstand	70 dB (DIN-B)
Tonarm	
Typ	Statisch ausbalanciert, universal
Länge des Tonarms von Lagerachse bis Abtastspitze	216,5 mm
Gesamtlänge	300 mm
Überhang	16,5 mm
Spurfehlerwinkel	innerhalb +3°, -1°
Justierbereich für Auflagekraft	0-3 g
Gewicht des Tonarmkopfes	7,5 g
Zulässiges Gewicht für Tonabnehmer	4-10 g (ohne Zusatzgewicht) 10-15,5 g (mit Zusatzgewicht)
Allgemeines	
Stromversorgung	Ausführung I: 110, 127, 220 oder 240 V Wechselspannung, einstellbar, 50/60 Hz Ausführung II: 100, 120, 220 oder 240 V Wechselspannung, einstellbar, 50/60 Hz
Leistungsaufnahme	Ausführung I: 13 W Ausführung II: 10 W
Abmessungen	ca. 445×155×375 mm (B/H/T)
Gewicht	ca. 10,3 kg netto ca. 11,5 kg im Versandkarton
Mitgeliefertes Zubehör	Winkelmesser Mittelstück für 45 UpM-Platten Distanzstück für Tonabnehmerjustierung Befestigungsschrauben für den Tonabnehmer (3 Paar) Schraubenzieher Zusatzgewicht Tonarmkopf

Änderungen, die dem technischen Fortschritt dienen, bleiben vorbehalten.

STÖRUNGSÜBERPRÜFUNGEN

Die folgende Liste wird Ihnen helfen, die meisten Störungen, die an Ihrem Gerät auftreten können, selbst zu beseitigen. Wenn sich die Störung nach dieser Überprüfung nicht beheben läßt, wenden Sie sich bitte an Ihren Sony-Händler.

Verminderte Klangqualität

- Der Plattenteller ist nicht waagrecht.
- Falsche Aufstellung auf einem oder in der Nähe eines Lautsprechers.
- Verstaubte Nadel
- Abgenutzte Nadel oder beschädigte Schallplatte (Die Nadel hat eine Lebensdauer von etwa 400 Spielstunden.)
- Falsche Tonabnehmerinstallierung (siehe Seite 24.)
- Falsches Ausbalancieren des Tonarmes (siehe Seite 24.)
- Falsche Auflagekraft (siehe Seite 25.)
- Falsche Einstellung der Anti-Skating-Vorrichtung (siehe Seite 25.)
- Falsche Drehzahl

Kein Ton von einem Kanal

- Lockere Befestigung des Tonarmkopfes am Tonarm (siehe „Vorbereitung“ auf Seite 24)
- Lockerer Phonokabelanschluß
- Niedrige Lautstärkeeinstellung für einen Kanal am Verstärker
- Falscher Anschluß der Tonarmkopfleitungen (siehe „Einbau eines Tonabnehmers“ auf Seite 24)

Überspringen von Rillen; Tonarm neigt dazu, nach außen zu gleiten; Tonarm bewegt sich nicht vorwärts (Schallplatte wiederholt sich.)

- Der Plattenteller ist nicht waagrecht aufgestellt.
- Falsche Auflagekraft (siehe Seite 25.)
- Falsche Einstellung der Anti-Skating-Vorrichtung (siehe Seite 25.)
- Beschädigte Schallplatte
- Falsche Einstellung der elastisch-federnden Füße

Fortwährendes Brummen

- Anschluß der Erdungsdraht zum Verstärker ist lose.
- Installierung zwischen Tonarmkopf und Tonarm ist lose (siehe „Vorbereitung“ auf Seite 24).
- Falscher Anschluß der Tonarmkopf-Verbindungsdrähten (siehe „Einbau des Tonabnehmers“ auf Seite 24).

Lautes Rumpeln oder niederfrequentes Heulen, das entsteht, wenn eine Schallplatte bei hoher Lautstärke abgespielt wird (akustische Rückkopplung*).

- Stellen Sie den Plattenspieler auf eine stabile Unterlage.
- Stellen Sie den Plattenspieler soweit wie möglich von den Lautsprechern auf.
- Wenn mit den oben beschriebenen Maßnahmen die Störung nicht beseitigt werden kann, bringen Sie handelsübliche akustische Isolatoren zwischen den Füßen des Gerätes und der Auflage an.

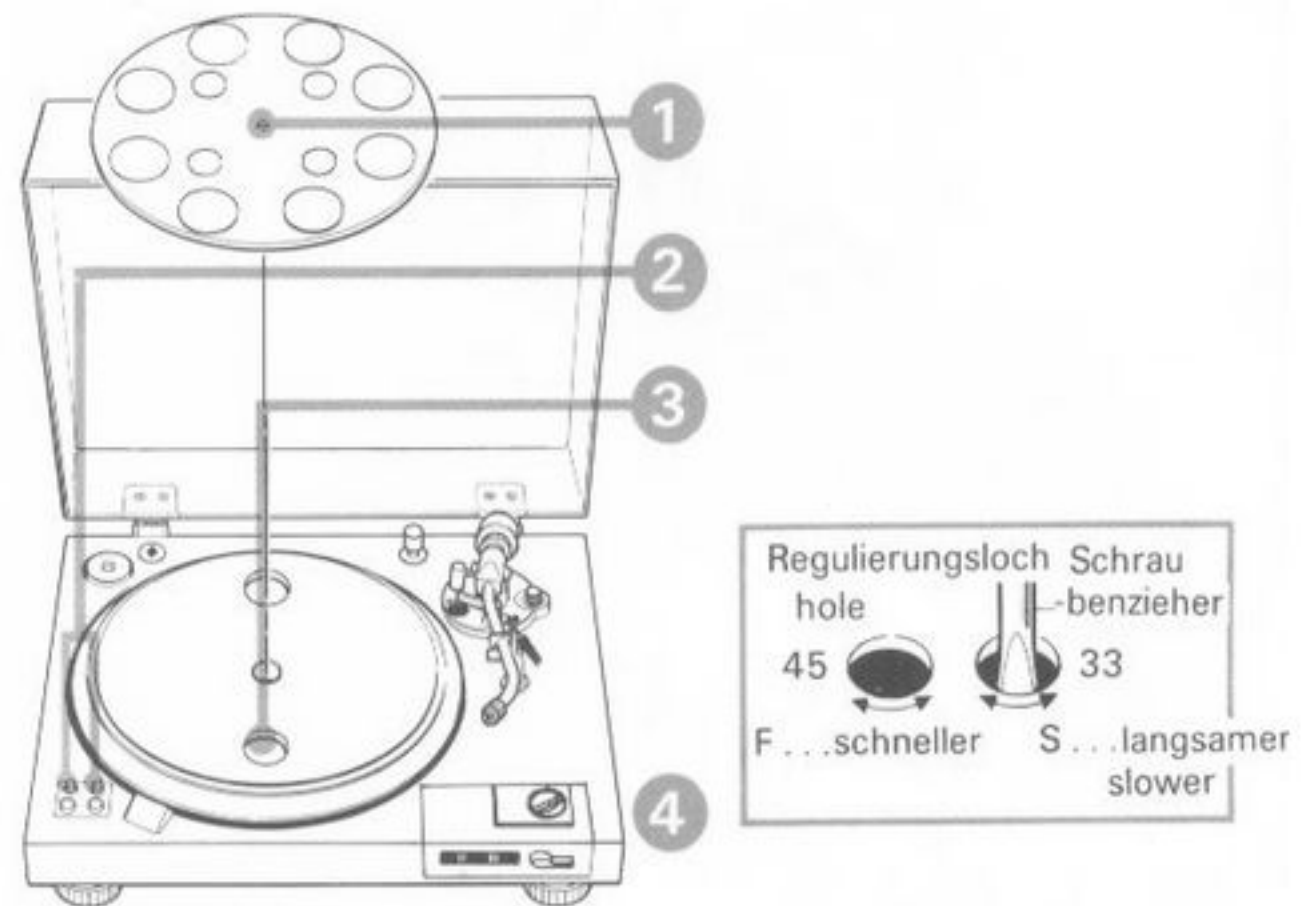
*Akustische Rückkopplung: Eigenschwingungen der Lautsprecher werden über die Luft oder über feste Gegenstände (Unterlage, Gehäuse, Fußboden usw.) auf den Plattenspieler übertragen, von der Tonabnehmernadel aufgefangen, verstärkt und wieder über die Lautsprecher wiedergegeben.

EINSTELLUNG DES BEREICHS FÜR DIE GESCHWINDIGKEITSFEINREGULIERUNG

Wenn es nicht möglich ist, mit dem entsprechenden Reglern auf der Vorderseite des Gerätes die korrekte Umdrehungsgeschwindigkeit einzustellen, so richten Sie die halb-fixierten Regelschrauben im Innern des Plattenspielers nach.

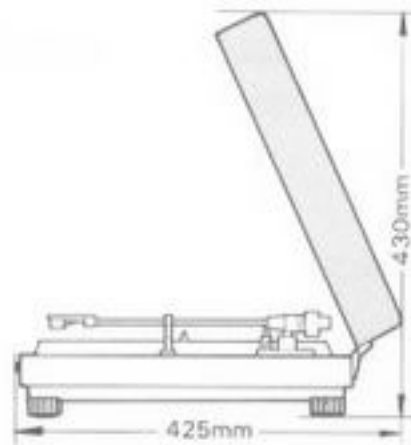
Zum Einstellen von 33 1/3 UpM, drehen Sie die halb-fixierte Schraube für 33, entsprechend für 45 UpM die halb-fixierte Schraube für 45.

- 1 Nehmen Sie die Gummimatte ab.
- 2 Stellen Sie beide Regler zur Geschwindigkeitsfeinstellung auf der Vorderseite in Mittelstellung ein.
- 3 Drehen Sie den Plattenteller, so daß das Einstelloch in die vordere Mitte zu stehen kommt. Führen Sie einen dünner Schraubenzieher in das Loch ein und drehen Sie ihn wie angegeben.
- 4 Schalten Sie nun das Gerät wieder an und prüfen Sie nach, ob das Stroboskopmuster für Ihre Netzfrequenz zum Stillstand gekommen ist.
 - Auch nach dieser Einstellung kommt es vor, daß sich das Stroboskopmuster leicht bewegt, verursacht durch Schwankungen in der Netzfrequenz, die auf die Neonlampe einwirken. Bei normalem Betrieb brauchen Sie das jedoch nicht zu beachten, denn das Servoregelsystem aus Gleichstrommotor und Plattenteller ist so ausgelegt, daß die Nenndrehzahl unabhängig von Schwankungen in der Netzfrequenz immer aufrechterhalten wird.



NOTAS SOBRE LA INSTALACION

- Coloque el giradiscos sobre una superficie a nivel.
- Deje un espacio libre de 10 cm detrás del aparato, de modo que se pueda abrir la cubierta.

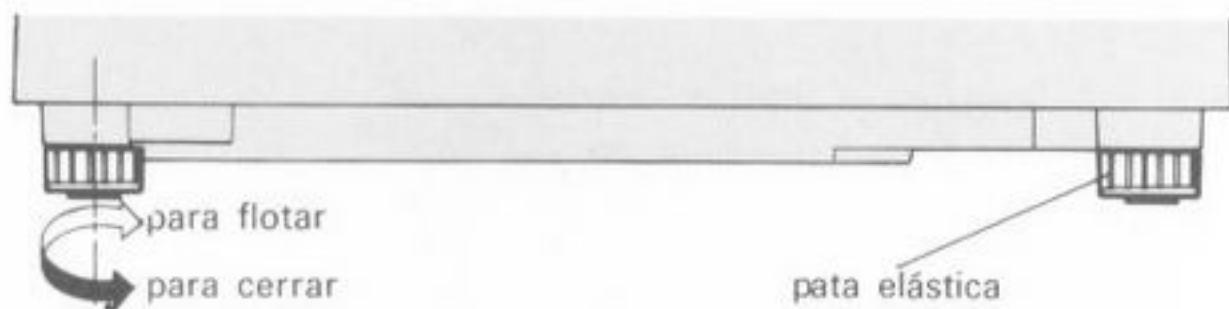


- Está provisto el giradiscos con los bases integrales apoyados por las patas elásticas las cuales aíslan el mecanismo de los choques y vibración externos.

Ponga el giradiscos a flote horizontalmente, girando las patas en el sentido contrario a las agujas del reloj.

Sin embargo, al colocar el giradiscos sobre la superficie suave, gire las patas en el sentido de las agujas del reloj, y reténgalas, aunque en esta posición sea eliminado el efecto de amortiguamiento contra la vibración.

Se puede ajustar la altura de estas patas para que el giradiscos se mantenga a nivel. Al colocar el giradiscos sobre la superficie desigual, gire cada pata en el sentido contrario a las agujas del reloj hasta que esté a nivel.



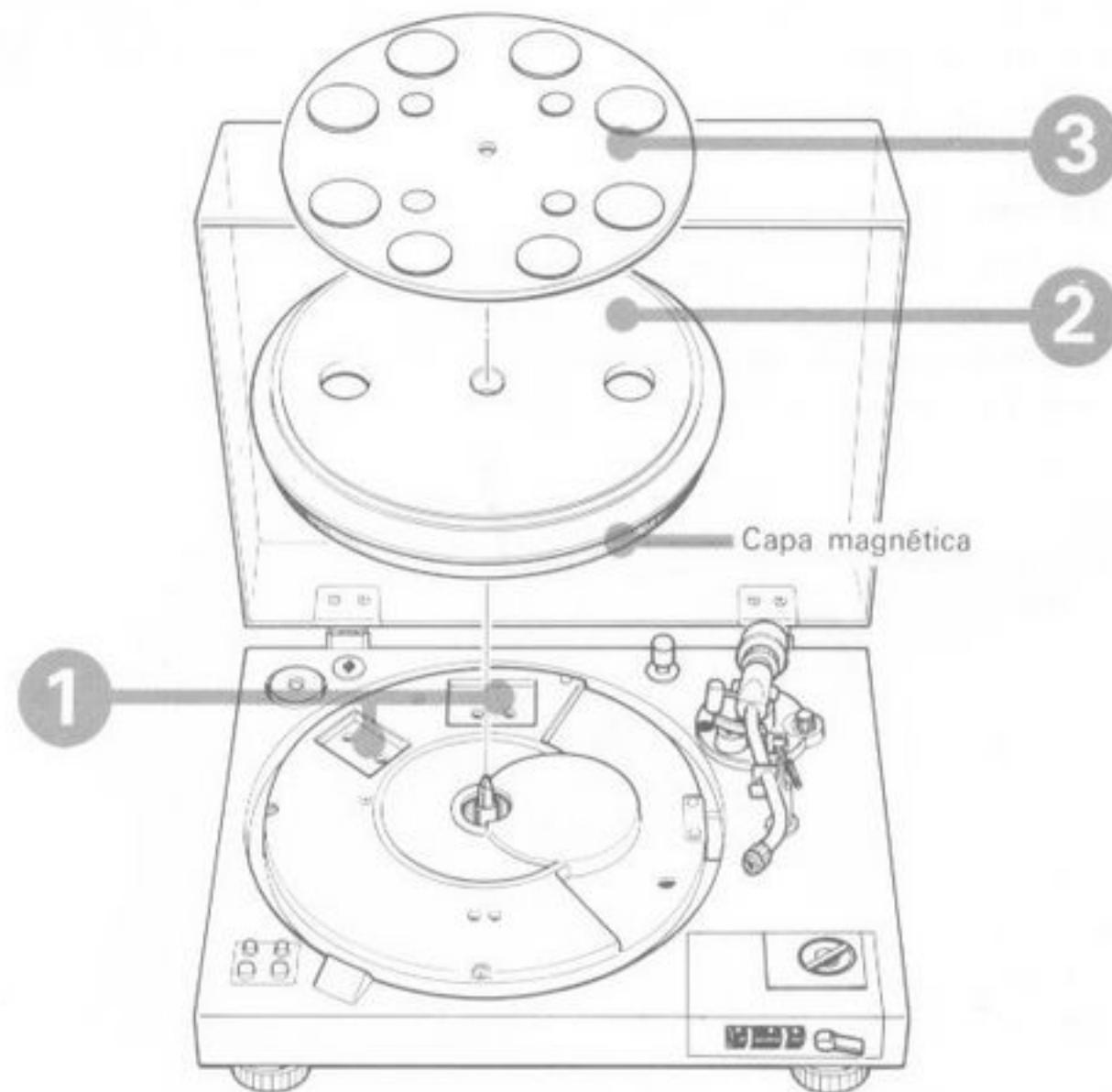
- Evite la colocación del aparato cerca de artefactos eléctricos, tales como aparatos de televisión, secadores de pelo o lámparas fluorescentes, los cuales pueden causar zumbidos o ruidos.
- Evite cualesquiera vibraciones, tales como las procedentes de los altavoces, golpes de puertas o portazos, etc.
- Mantenga el aparato lejos de la directa luz solar, de temperaturas extremas, o de excesivo polvo o humedad.

MONTAJE DEL GIRADISCOS

No conecte usted el cordón de alimentación o los cordones de conexión hasta después de acabar el montaje.

Remueva todos los materiales de empaque y limpie el estuche-gabinete.

Compruebe que están sueltas las patas elásticas.



① Remueva los dos tornillos de tránsito pintados de rojo. Almacénelos en los agujeros sobre el letrero de precauciones. (Estos tornillos son necesarios al tiempo de reempaque. Vea las instrucciones para reempaque en la página 37.)

② Ponga cuidadosamente el plato sobre la tabla del motor, emparejando el agujero central y el huso central.

- No toque usted con sus dedos o con herramientas la capa magnética a fin de evitar rayarla y deteriorar el sistema electrónico de control de velocidad.

③ Ponga la esterilla de caucho sobre el giradiscos.

- No conecte nunca el cordón de alimentación de energía sin que este instalado el plato. De otra suerte, el motor marchará a una velocidad no controlada.

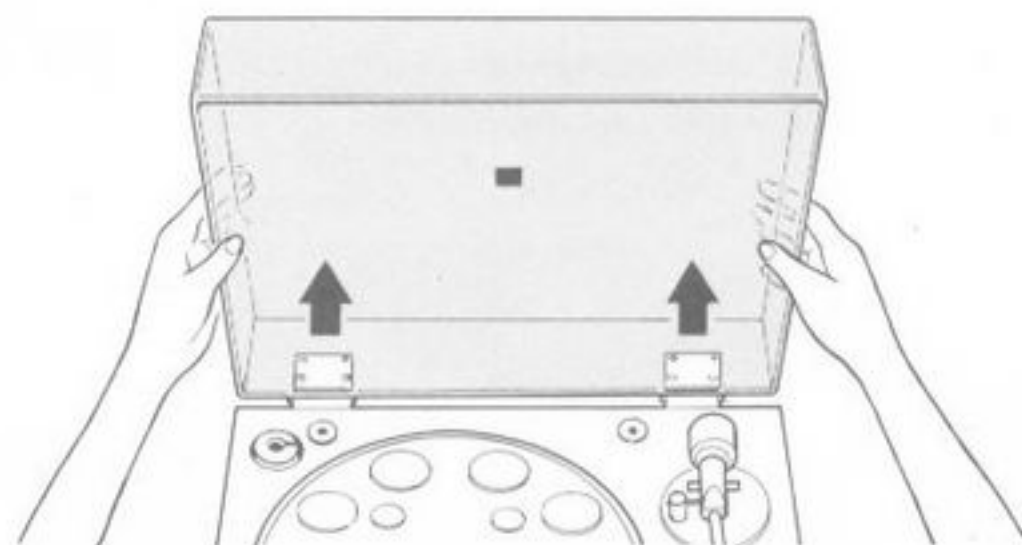
- Tenga cuidado de que no se alojen objetos extraños bajo el giradiscos.

- No intente dar vueltas con la mano al giradiscos en sentido contrario a las agujas del reloj.

- Conserve la caja y los materiales de embalaje para un posible uso en el futuro.

Para remover la cubierta contra el polvo

Abra la cubierta, tomándola con ambas manos y deslizándola hacia arriba.



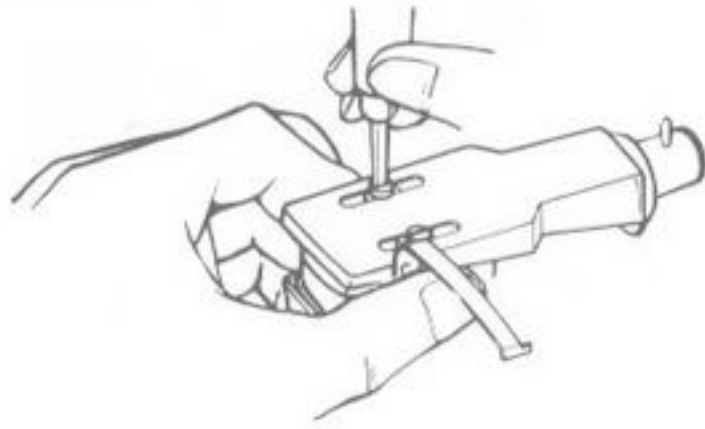
INSTALACION DEL CARTUCHO

Un cartucho que pesa entre 4 y 10 g puede ser montado con el casco suministrado. Los cartuchos más pesados, de entre 10 y 15,5 g pueden montarse usando la pesa extra (suministrado). Si desea instalar algún otro casco, use uno cuyo peso y altura sean los mismos que los del casco suministrado.

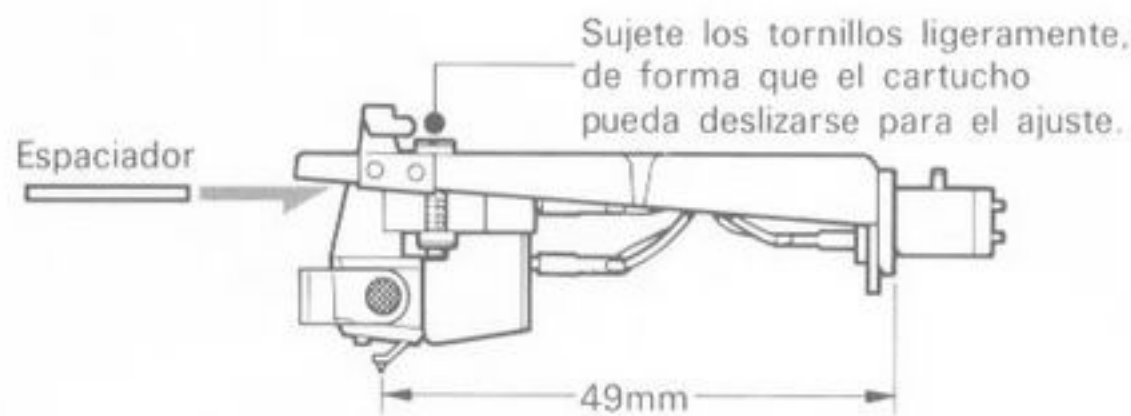
1 Seleccione la longitud más conveniente de los tornillos de montaje del cartucho, de acuerdo con la altura del cartucho de usted. (Se suministran tres pares de tornillos de varias longitudes.)

2 Instale el cartucho con los tornillos seleccionados, de suerte que longitud entre el extremo del casco y la punta de la aguja sea de 49 mm.

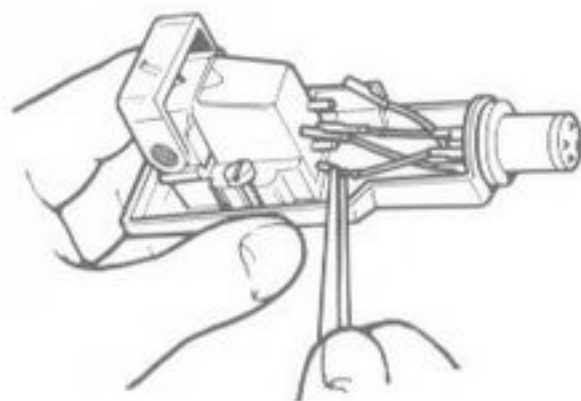
El ajuste temporal de la proyección es ya completo. Después deberán hacerse los ajustes más precisos.



● Si el borde frontal del casco bloquea el cartucho, no pudiéndose obtener la distancia requerida, inserte el espaciador suministrado debajo del casco.



3 Conecte los alambres conductores del casco a los pasadores correspondientes del cartucho.



Alambres	Cartuchos
Blanco	L (señales del canal izquierdo)
Azul	LE o G (tierra del canal izquierdo)
Rojo	R (señales del canal derecho)
Verde	RE o G (tierra del canal derecho)

● Están provistos los soportes del casco en la base del giradiscos para un cartucho extra que se monte.

ARMADO Y AJUSTES DEL BRAZO FONOCAPTOR

No conecte el cordón de alimentación o los cordones de conexión hasta después de acabar el montaje y los ajustes.

Deben efectuarse los procedimientos siguientes sobre una superficie a nivel. Tenga cuidado de no dañar a la punta de la aguja mientras hace los ajustes. Cuando debe cambiarse el cartucho, se hacen necesarios los ajustes.

Preparación

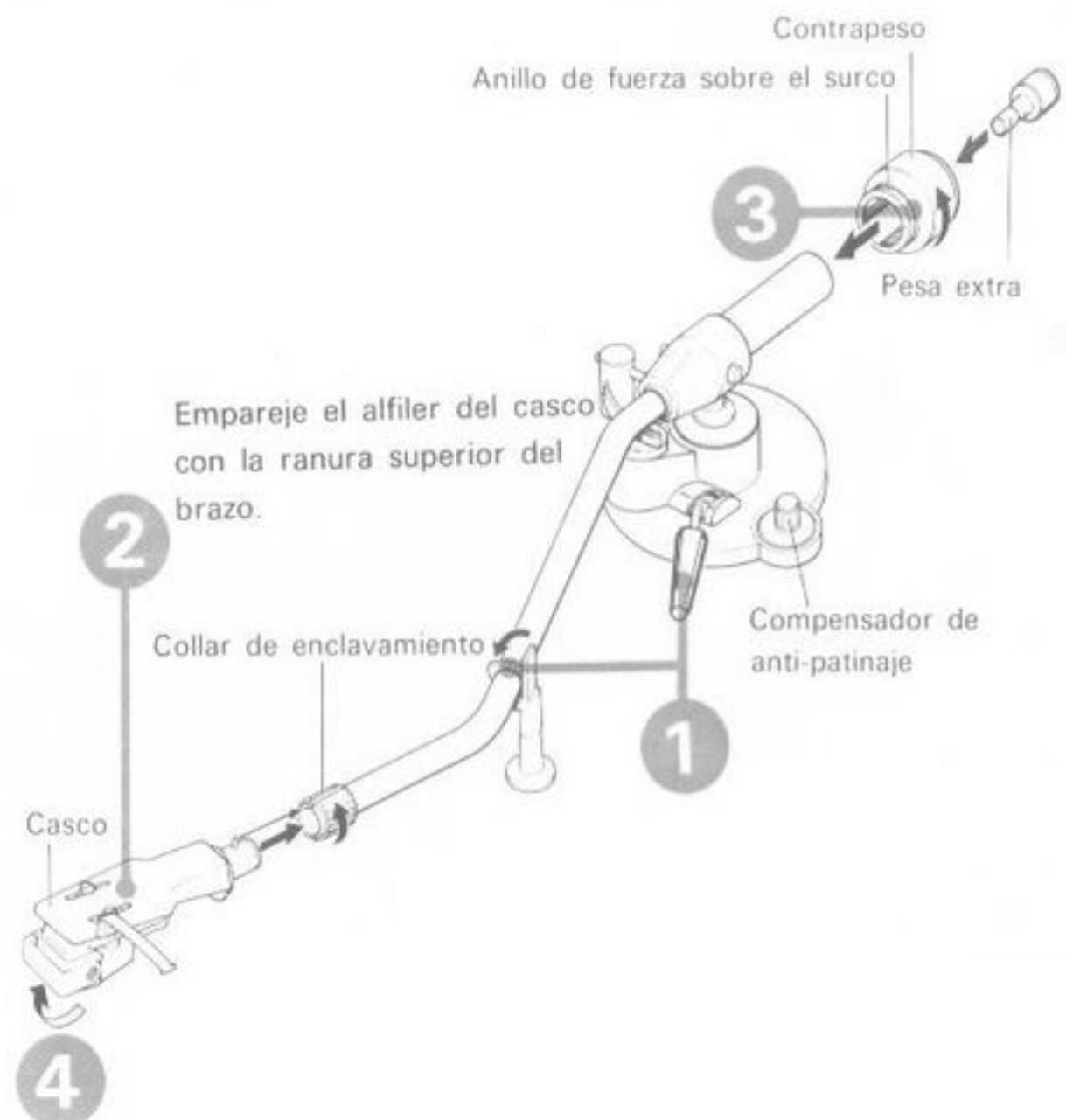
1 Asegure el brazo fonocaptor en su descanso de brazo y baje la palanca de elevación.

2 Inserte el casco al brazo fonocaptor y sujete el collar de enclavamiento en sentido contrario a las agujas del reloj, hasta que el casco está firmemente fijado al brazo.

3 Inserte el contrapeso y gírelo unas cuantas vueltas en el sentido contrario a las agujas del reloj. (El anillo de fuerza sobre el surco se vuelve simultáneamente.)

● Si el cartucho pesa desde 10 a 15,5 g, añada la pesa extra suministrada dentro del extremo del tubo del brazo.

4 Remueva o eleva la guarda-aguja, si está juntada.



Ajuste del equilibrio longitudinal *1

1 Asegure que está puesto el compensador anti-patinaje en "0". Desganche del descanso del brazo el brazo fonocaptor.

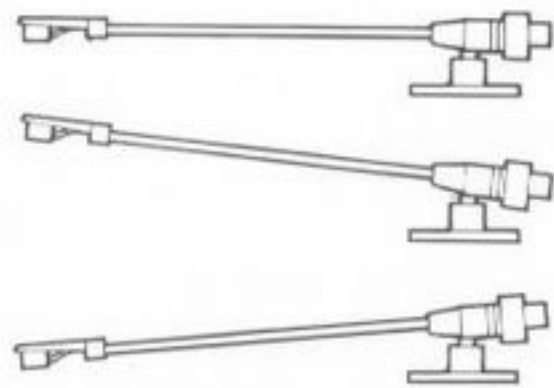


2 Gire el contrapeso como requerido hasta que el brazo fonocaptor se halle en la posición horizontal de equilibrio. (El anillo de fuerza sobre el surco gira simultáneamente.)

Sujete suavemente el brazo fonocaptor para prevenir golpes de la punta de la aguja.



Suelte sus dedos y compruebe el equilibrio. Repita esta etapa unas cuantas veces hasta que se equilibre el brazo fonocaptor.

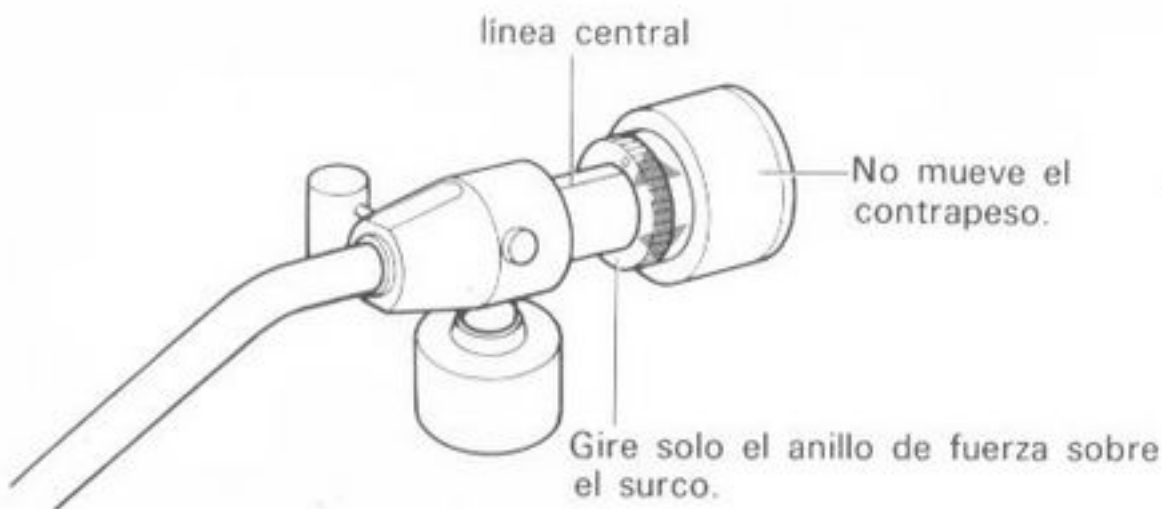


Equilibrio correcto

Mueva el peso adelante.

Mueva el peso hacia atrás.

3 Mientras mantiene el contrapeso en la posición equilibrada, gire separadamente el anillo de fuerza sobre el surco hasta que la indicación "0" se encuentre con la línea central del brazo. Compruebe otra vez el equilibrio.

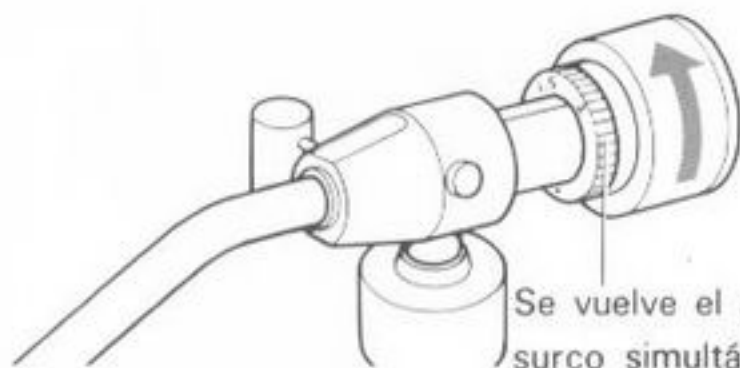


Gire solo el anillo de fuerza sobre el surco.

4 Saque el descanso del brazo fonocaptor y gírelo para que se vuelva el descanso del brazo en la posición originaria. Instale el brazo fonocaptor en el descanso del brazo de nuevo.

Ajuste de la fuerza sobre el surco *2

Gire el anillo del contrapeso en sentido contrario a las agujas del reloj, de suerte que la cifra de fuerza sobre el surco recomendada para su cartucho se alinee con la línea central del brazo. La máxima fuerza obtenible es 3 gramos.



Se vuelve el anillo de fuerza sobre el surco simultáneamente.

Ajuste de la suspensión *3

Compruebe que la suspensión de la aguja está ajustada correctamente. Use el alargador de alineamiento suministrado. Para este ajuste, conecte el cordón de alimentación y ponga conectado el interruptor POWER.

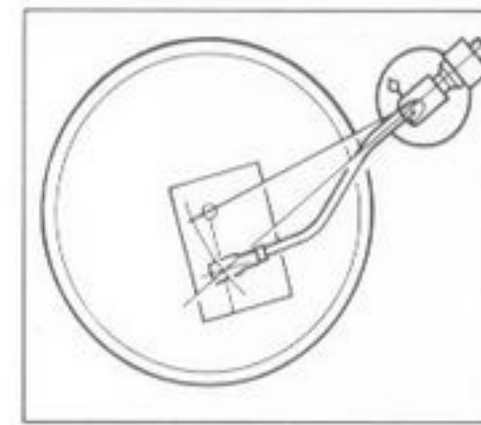
1 Ponga el agujero del alargador de alineamiento sobre el huso central.

2 Ponga el selector de disco en la posición MANUAL y levante la palanca de elevación.

3 Toque la porción metálica del botón START/STOP y después de unas tres vueltas del giradiscos, desconecte el interruptor POWER.

4 Lleve el brazo fonocaptor encima del punto de cruce de las dos líneas finas, y baje cuidadosamente la aguja sobre dicho punto de cruce por medio de la palanca de elevación.

5 Compruebe usted para ver que el casco está paralelo a las líneas gruesas trazadas en el alargador de alineamiento, según aparece en la ilustración central. Si el casco y estas líneas están paralelos, está ajustada correctamente la suspensión de la aguja.



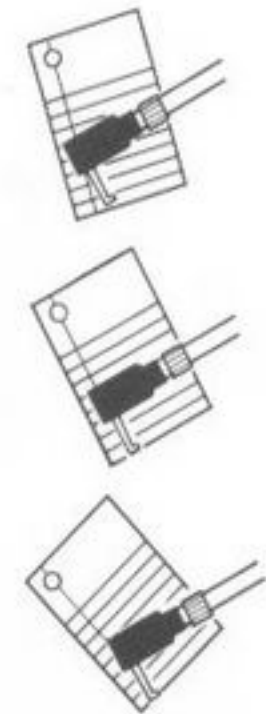
La suspensión está demasiado larga.

Deslice el cartucho hacia atrás.

Suspensión correcta.

La suspensión está demasiado corta.

Deslice el cartucho hacia adelante.



6 Si el casco no está paralelo a dichas líneas, reajuste la suspensión de la aguja.

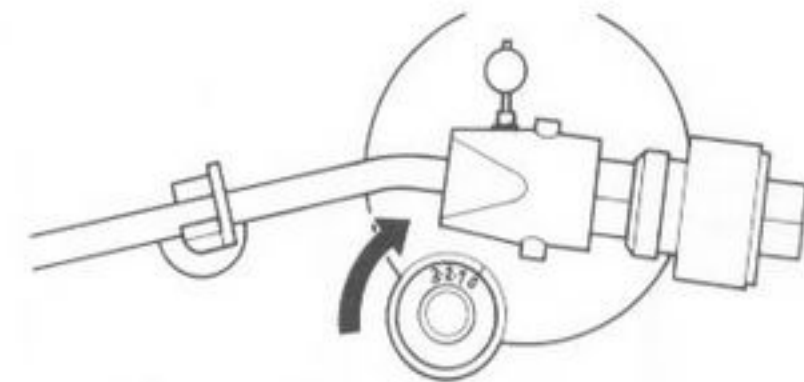
1) Afloje los tornillos del cartucho y deslice el cartucho.

2) Sujete los tornillos nuevamente.

3) Compruebe otra vez los ajustes de equilibrio y de la fuerza sobre el surco.

Compensación anti-patinaje *4

Gire el compensador anti-patinaje, de modo que la marca de guía se encuentre con el valor de la fuerza sobre el surco que se usa.



Después de acabar los ajustes, instale la guarda-aguja.

*1 Ajuste longitudinal de equilibrio

Mientras se reproduce un disco, el peso del brazo fonocaptor se soporta por el pivote del brazo y sólo la fuerza sobre el surco se aplica a la punta de la aguja. Para conseguir esto, el brazo fonocaptor debe estar equilibrado horizontalmente, con el indicador de la fuerza sobre el surco puesto en "0".

*2 Fuerza sobre el surco

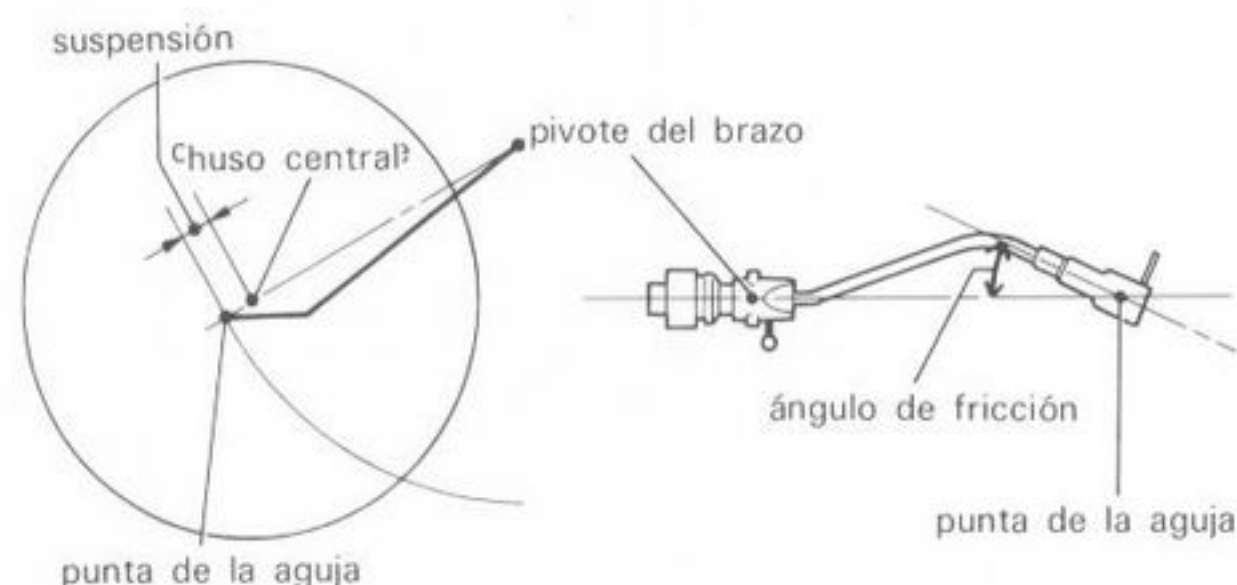
Después del ajuste longitudinal del equilibrio, aplique el peso de la fuerza sobre el surco, recomendada, de suerte que la punta de la aguja recorra exactamente la ranura o surco de la música.

*3 Suspensión

En la reproducción de un disco, a causa del diseño del pivote del brazo fonocaptor, la punta de la aguja puede estar perfectamente tangente al surco de la música en sólo un punto del disco. En todas las otras partes del disco, existe una pequeña desviación de la aguja con respecto a la tangencia. Este fenómeno se llama error de arrastre, e introduce pequeños errores en la amplitud y tiempo de la señal reproducida en comparación con la original, pudiendo ser también introducidas otras formas de distorsión según el diseño del cartucho y de la aguja.

El error de arrastre se reduce al mínimo por la selección de la óptima distancia de suspensión. Suspensión es la distancia entre la punta de la aguja y el huso central.

El ajuste de la suspensión es efectuado al tiempo de instalar un particular cartucho.



*4 Compensación anti-patinaje

Mientras se reproduce un disco, la fuerza de fricción entre el surco del disco y la aguja produce una fuerza que tiende a conducir el brazo fonocaptor hacia el centro del disco.

La compensación anti-patinaje cancela dicha fuerza, y se aplica de acuerdo con la fuerza sobre el surco.

Una incorrecta compensación anti-patinaje resulta en distorsión del sonido y desgaste desigual lo mismo en la aguja que en el disco.

ADVERTENCIAS SOBRE EL MANEJO DE LOS DISCOS

Antes de la reproducción

● Limpie la aguja usando una escobilla suave (escobilla de aguja, pincel de pintura artística, etc.). Mueva la escobilla desde atrás hacia adelante. Nunca limpie la aguja con sus dedos.

● Para la limpieza de rutina de los discos, el uso de una tela apenas humedecida (gasa, etc.) o de un limpiador de tipo fluido será eficaz.

Si usted usa un limpiador de discos del tipo de rociamiento, asegúrese de que el limpiador se ha secado completamente antes de reproducir los discos. La reproducción de los discos antes de que se ha secado el fluido, puede estropear los discos. Es una buena idea limpiar otra vez los discos antes de ponerlos aparte.

● Maneje usted los discos por sus bordes -y no toque los surcos de la música. La impresión de los dedos sobre la superficie de los discos puede inducir una acumulación de polvo, resultando en el empeoramiento del sonido.

Al reproducir un disco

● Se le recomienda reducir el volumen del amplificador antes de bajar el brazo fonocaptor sobre el disco.

● Mientras el giradiscos está energizado, no intente pararlo o hacerlo volver con la mano.

● Durante la reproducción, asegúrese usted de cerrar la cubierta contra el polvo. No coloque nada sobre dicha cubierta.

● Mientras efectúa una reproducción, no intente mover el giradiscos o tocar el brazo fonocaptor.

Después de la reproducción de discos

● Evite usted exponer los discos a ninguna fuente de calor, tales como la luz solar directa, un conductor de aire caliente, etc. Almacene los discos verticalmente, sin aplicarles ninguna presión ni inclinarlos hacia ningún lado. Esto reducirá al mínimo las torceduras o combas.

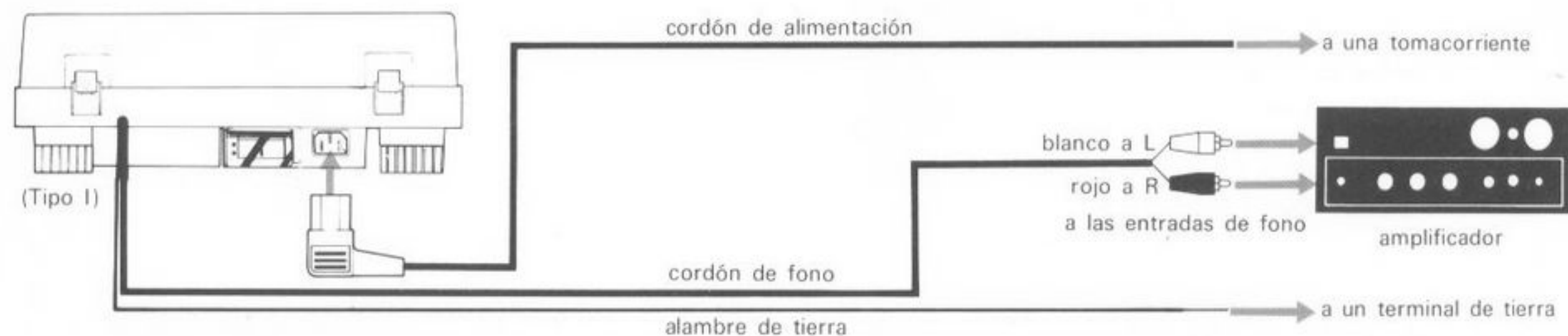
● Cuando no usa el giradiscos, cierre la cubierta contra el polvo.

Otras precauciones

● Sobre el giradiscos, sólo ponga los discos, no otra cosa.

● Sobre el estuche-gabinete, sólo ponga el cartucho de repuesto y el adaptador de 45 rpm, no otra cosa.

CONEXIONES



● Cuando se alimenta el giradiscos de la energía por un amplificador, use sin falta una tomacorriente no controlado por el interruptor de energía.

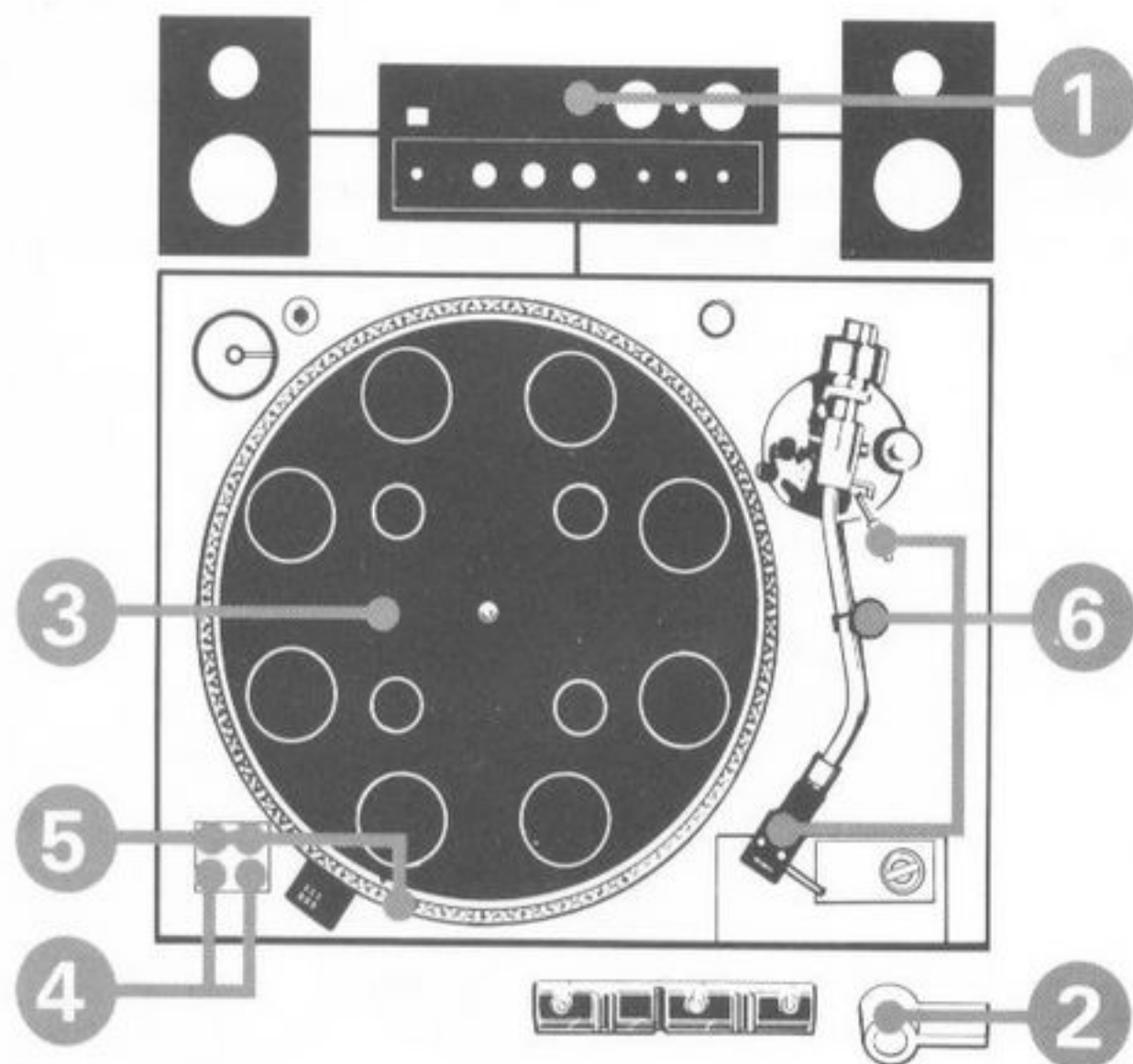
● Respecto al tipo I, al usar el cordón desprendible de alimentación, por primero conéctelo al enchufe AC IN del giradiscos y después a la tomacorriente del amplificador.

● Compruebe usted que el cordón de fono y cordón de alimentación no están cogidos bajo ninguna pata de la caja.

● Deje alguna flojedad en el cordón de conexión para evitar choques o vibraciones inadvertidos.

REPRODUCCION DE LOS DISCOS

PREPARACION



1 Disminuya el volumen del amplificador. Ponga el amplificador en conexión y coloque el selector de entrada del amplificador en PHONO (fonógrafo).

2 Ponga en conexión la interruptor POWER. (Entonces, la lámpara de neon para el estroboscopio se encenderá.)

3 Coloque un disco sobre el giradiscos.

Para los discos de 17 cm, ponga sobre el huso central el adaptador de 45 rpm suministrado. Si se usa un adaptador diferente del suministrado, el dispositivo sensible automático del brazo fonocaptor no puede funcionar precisamente.

4 Empuje el botón de "33" ó el de "45"-rpm (revolución por minuto), de acuerdo con la velocidad del disco.

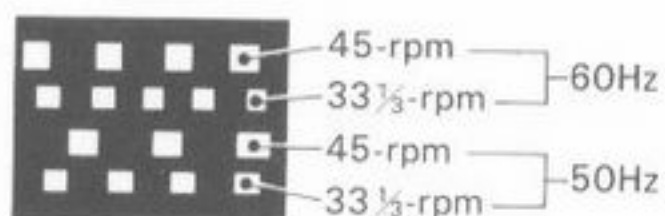
5 Ajuste el control de paso.

1) Ponga el selector de tamaño de disco en la posición MANUAL.

2) Topue la parte metálica del botón START/STOP. Entonces, se iluminará la lámpara de arranque, y el giradiscos comenzará a dar vueltas.

3) Mirando el estroboscopio, ajuste la velocidad con el control de paso hasta que la figura aparezca estacionaria.

Para una área cuya frecuencia de la línea de energía sea 60 Hz, use las dos líneas; y para una área de 50 Hz, emplee las dos líneas inferiores.



Si la figura se mueve hacia la derechaDé vueltas al control en la dirección de "F" (rápido).

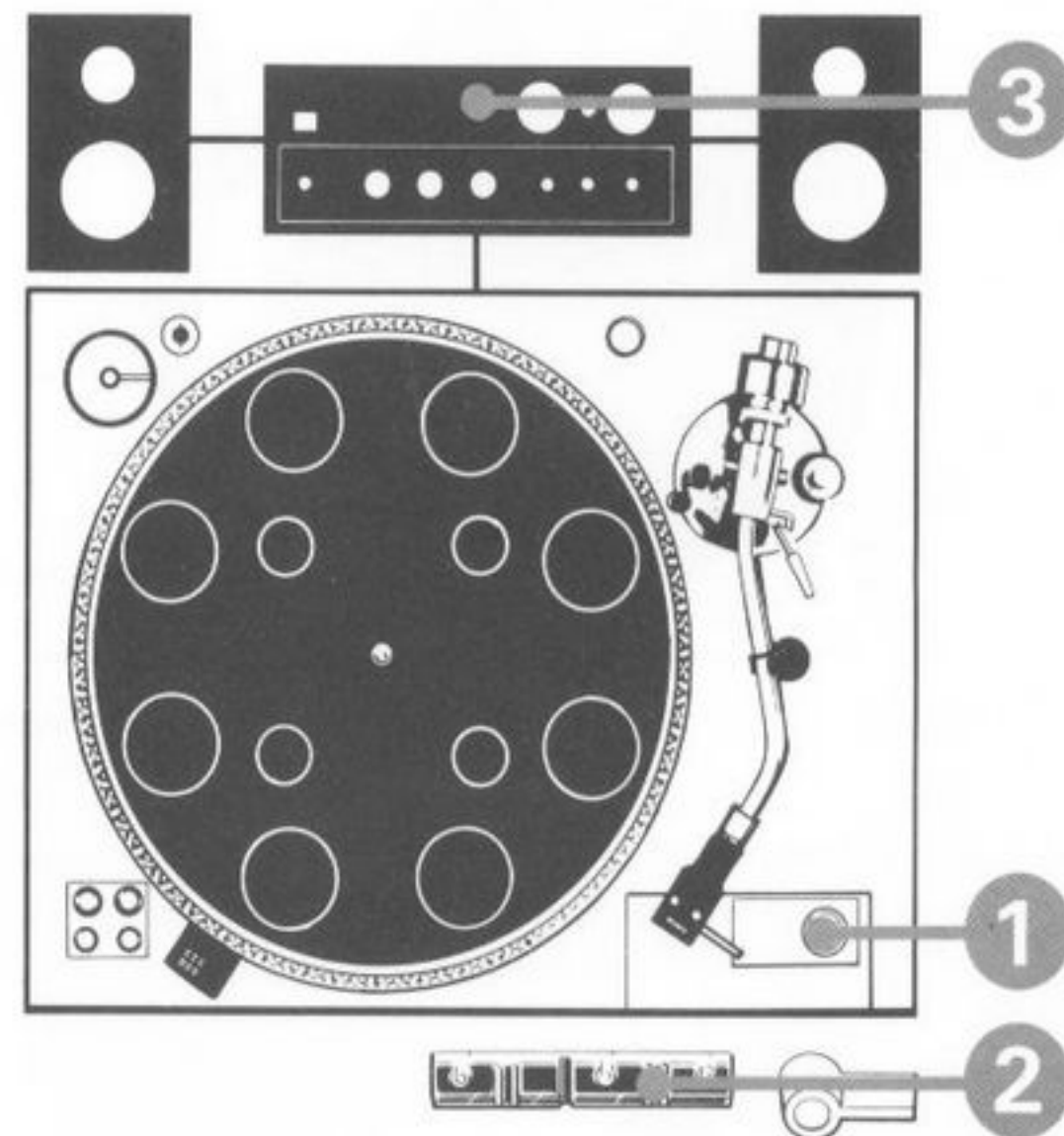
Si la figura se mueve hacia la izquierdaGire al control en la dirección de "S" (lento).

4) Toque otra vez el botón START/STOP. Entonces, la lámpara de retorno se iluminará y el giradiscos se parará.

6 Remueva la guarda-aguja y suelte el corchete o abrazadera del descanso de brazo. Asegúrese usted de bajar la palanca de elevación.

● Asegúrese de mirar las lámparas indicadoras para descubrir en que modo de operación está el giradiscos; ya que, cada vez que se toca un botón de funcionamiento, la unidad se activará o soltará.

REPRODUCCION AUTOMATICA



1 De acuerdo con el tamaño del disco, escoja la correcta posición del selector de tamaño de disco.

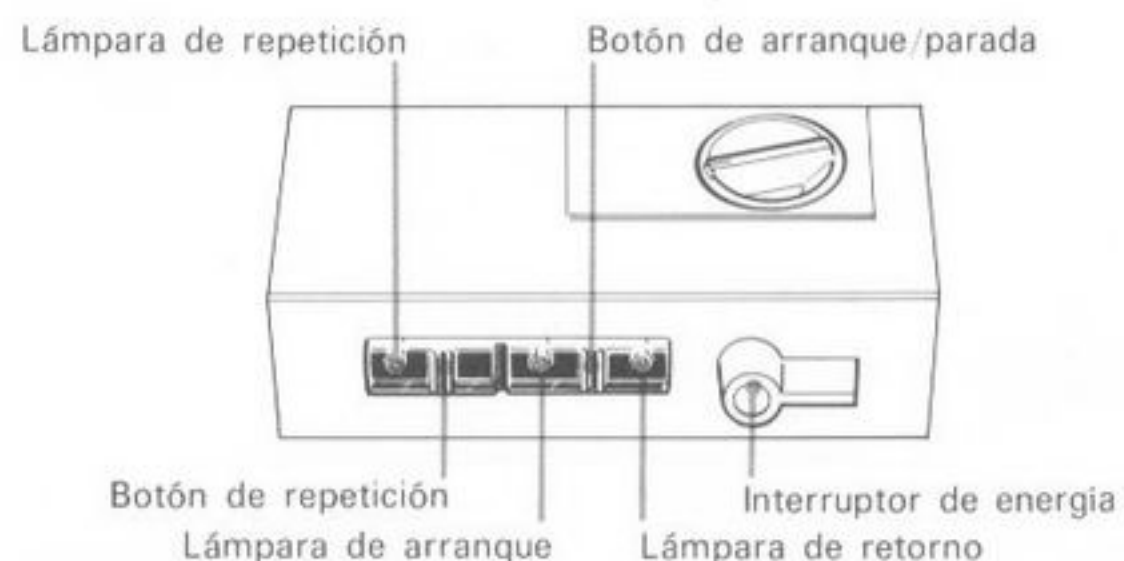
Asegúrese de que la graduación del selector de tamaño de disco empareja con el real tamaño del disco. Si no está así, el brazo fonocaptor puede bajarse cuando no haya disco y la punta de la aguja puede estropearse.

2 Toque la parte metálica del botón START/STOP, y la lámpara de arranque se iluminará. El brazo fonocaptor se moverá automáticamente, y descenderá por sí mismo sobre el disco. Entonces, comenzará la reproducción.

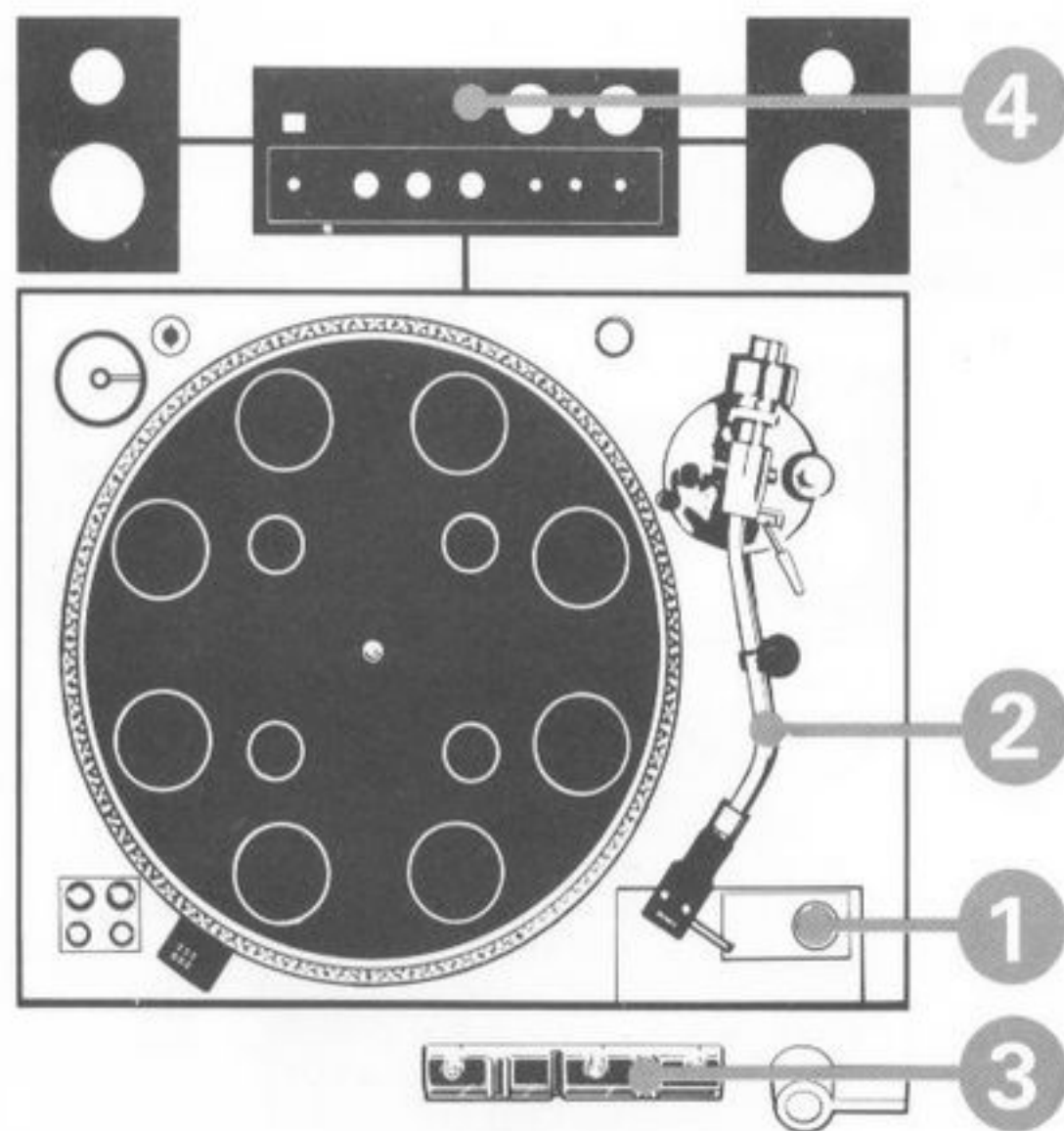
3 Ajuste el nivel de sonido, el equilibrio estereofónico y la calidad de tono del amplificador, según sus preferencias.

4 Después de la reproducción, el brazo fonocaptor retornará automáticamente al descanso de brazo. A fin de parar durante la reproducción, toque el botón START/STOP. Con ello, se iluminará la lámpara de retorno y el brazo fonocaptor volverá al descanso de brazo.

5 Ponga en desconexión el interruptor POWER, después de que el brazo fonocaptor haya vuelto plenamente al descanso. Si el interruptor POWER se pone en desconexión en la mitad de la operación de retorno, la unidad no arranzará correctamente la próxima vez.



REPRODUCCION MANUAL



- 1 Ponga el selector de tamaño de disco en la posición MANUAL.
- 2 Lleve el brazo fonocaptor al surco de entrada del disco o al punto donde desee oír, este puede ser cualquier punto del disco.
- 3 Toque el botón START/STOP. El giradiscos empezará a dar vueltas y el brazo fonocaptor automáticamente descenderá por sí mismo sobre el disco.
- 4 Ajuste el nivel de sonido, el equilibrio estereofónico y la calidad de tono del amplificador según sus preferencias.
- 5 Después de la reproducción, el brazo fonocaptor retornará automáticamente al descanso. Para detener el aparato durante la reproducción, toque el botón START/STOP. Entonces, se encenderá la lámpara de retorno y el brazo fonocaptor volverá al descanso de brazo.
- 6 Ponga en desconexión el interruptor POWER, después de que el brazo fonocaptor haya retornado plenamente al descanso de brazo.

● Si usted lleve el brazo fonocaptor al rótulo del disco mientras el giradiscos está dando vueltas, el brazo fonocaptor puede retornar por el mecanismo automático de retorno.

FUNCIONAMIENTO DE REPETICION

Para repetir el mismo disco, toque el botón REPEAT mientras el disco está en reproducción automática. Entonces, se iluminará la lámpara REPEAT y la unidad repetirá la reproducción.

El funcionamiento de repetición puede también ser activado mientras la lámpara de retorno está encendida. Sin embargo, él no será activado cuando la reproducción se detiene con el botón STOP.

Para detener la reproducción de repetición, toque de nuevo el botón REPEAT, y con ello la lámpara REPEAT se pondrá en desconexión. Después de que se ha reproducido el disco, el giradiscos se parará automáticamente.

Para detener el aparato durante la reproducción, toque el botón START/STOP.

● Cuando el selector de tamaño de disco está puesto en MANUAL, el mecanismo de repetición no funcionará.

AJUSTE DEL PUNTO DE CAIDA DEL BRAZO FONOCAPTOR

En la fábrica, el brazo fonocaptor ha sido ajustado para que tenga el correcto punto de caída en el modo de reproducción automática.

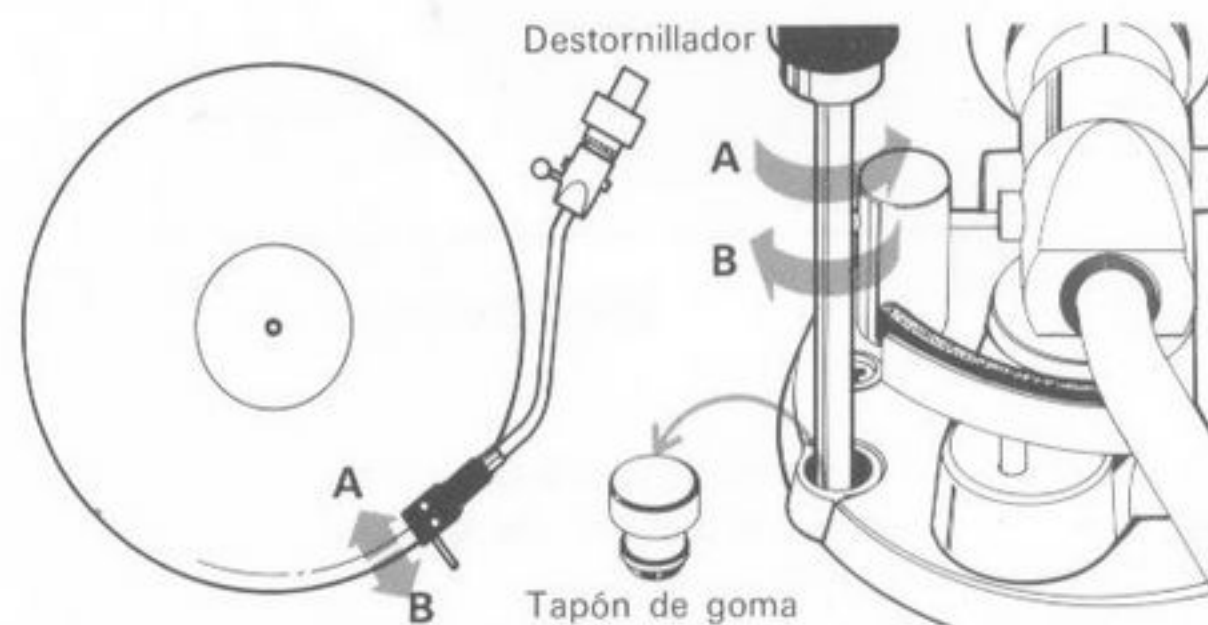
Si dicho punto necesita ser reajustado, proceda del modo siguiente.

1 Remueva el tapón de goma del agujero de ajuste del punto de caída del brazo fonocaptor, situado al lado izquierdo de la base del brazo.

2 Inserte dentro de dicho agujero el destornillador suministrado. Para cambiar el punto de caída hacia adentro Gire al tornillo en sentido contrario a las agujas del reloj.

Para cambiar el punto de caída hacia afuera Gire al tornillo en el sentido de las agujas del reloj.

3 Una vez que el punto de caída está correctamente ajustado con un disco de 30 cm, él estará correcto también para los discos de 17 cm y de 25 cm.



MANTENIMIENTO

- No se requiere la lubricación para este giradiscos. El eje de motor se ha lubricado en la factoría suficientemente hasta la duración del giradiscos.
- Limpie periódicamente con un paño suave y seco el estuche-gabinete y la cubierta contra el polvo. No use solventes tales como el alcohol, la bencina o los diluyentes, ya que estos pueden deteriorar su acabado.
- Cuando se hace sucia la esterilla de caucho, frótelas suavemente con un paño suave ligeramente humedecido con agua caliente.

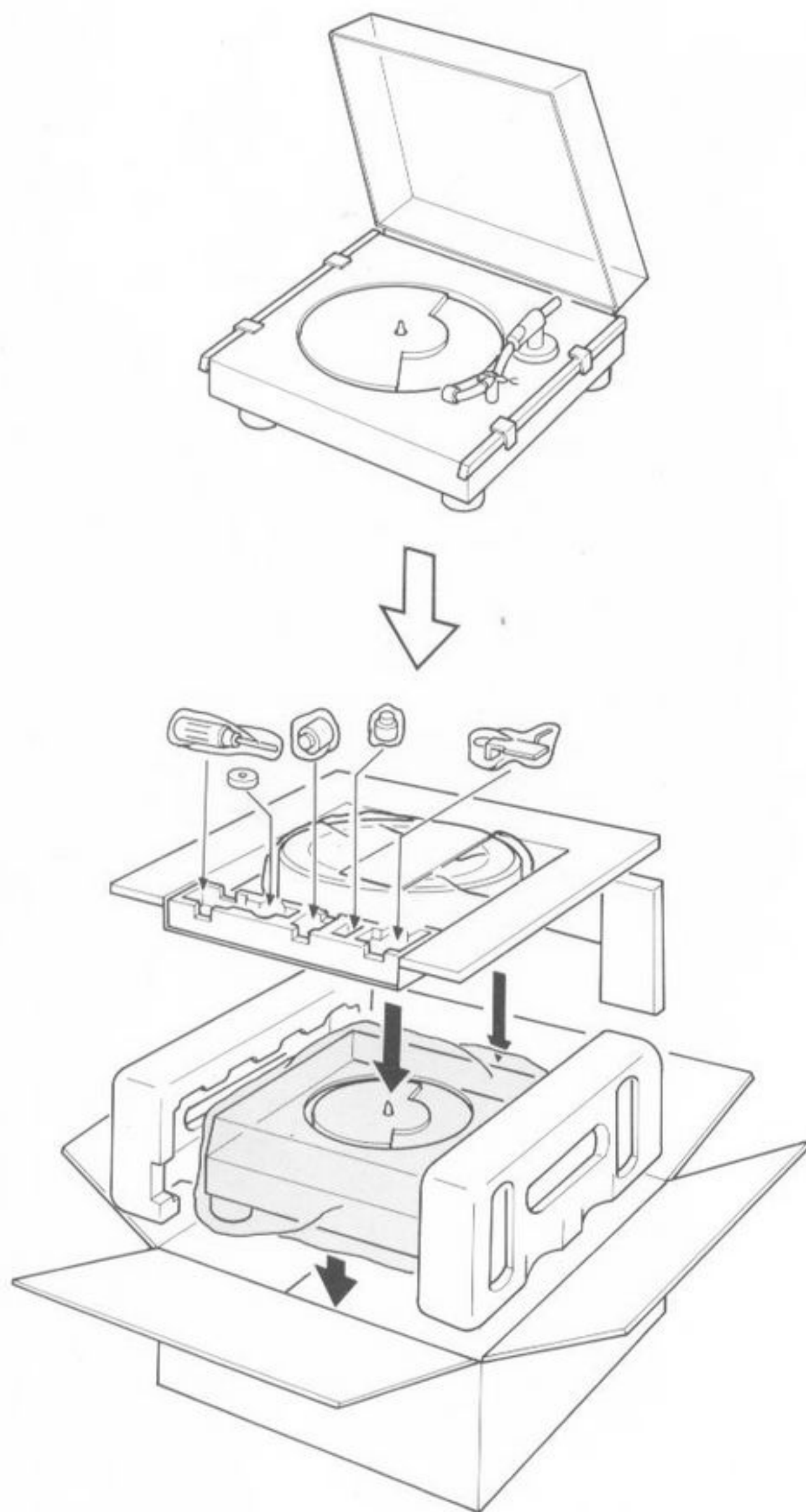
Nota:

- El tornillo grande y los tres tornillos pequeños que hay en el fondo del giradiscos son precisamente ajustados en la factoría para mantener la velocidad nominal del giradiscos. No intente ajustar estos tornillos en ninguna circunstancia.

REEMPAQUE PARA TRANSPORTE

El cartón original de transporte y el material de empaque (que hemos recomendado conservar) son el receptáculo ideal en que se ha de transportar el giradiscos para llevar a reparación o llevarlo a otro lugar. Para asegurar la máxima protección, el aparato debe reempacarse en este material precisamente como fue empacado originalmente. El procedimiento propio del reempaque es como se ve en la ilustración.

● Gire los dos tornillos (pintados de rojo) completamente en sentido de las agujas del reloj para fijar el transformador de energía a la caja.



CARACTERÍSTICAS

Giradiscos

Plato	31,4 cm, aleación de aluminio moldeada a matriz
Motor	Motor servo-controlado de corriente continua "brushless" (sin escobilla)
Sistema de accionamiento	Accionamiento directo
Velocidad	33 1/3 rpm, 45 rpm
Rango de control de paso	±4%
Llanto y fluctuación	±0,045% (DIN) 0,03% (WRMS)
Razón de señal/ruido	70 dB (DIN-B)

Brazo fonocaptor

Tipo	Equilibrado estáticamente, universal
Longitud desde pivote hasta la aguja	216,5 mm
Longitud total del brazo	300 mm
Suspensión	16,5 mm
Angulo de error de trazado	Dentro de +3°, -1°
Gama de ajuste de fuerza sobre el surco	0 - 3 g
Peso de casco	7,5 g
Gama de peso de cartucho	4 - 10 g (sin el peso extra) 10 - 15,5 g (con el peso extra)

General

Alimentación	Tipo I: 110, 127, 220 ó 240 V C.A. ~ ajustable, 50/60 Hz Tipo II: 100, 120, 220 ó 240 V C.A. ~ ajustable, 50/60 Hz
Consumo de energía	Tipo I: 13 W Tipo II: 10 W
Dimensiones	445 x 155 x 375 mm aprox. (an/al/pro)
Peso	10,3 kg aprox. neto 11,5 kg aprox. con el embalaje de envío
Accesorios suministrados	Alargador de alineamiento Adaptador para discos de 45 rpm Espaciador para la instalación de cartucho Tornillos para la instalación de cartucho (3 pares) Destornillador Peso extra Casco

El diseño y las características pueden ser modificados sin previo aviso.

VERIFICACION DE FALLAS

La siguiente tabla ayudará a corregir las más de las fallas que pueden ocurrir con el giradiscos. Si la falla persiste después de la verificación de estos puntos, consulte usted a su distribuidor de Sony.

Empeoración de la calidad del tono

- Giradiscos no a nivel
- Situado incorrectamente sobre el altavoz o cerca de él.
- Aguja polvorienta
- Aguja gastada o disco defectuoso (La duración de la aguja es de unas 400 horas de tiempo de reproducción.)
- Instalación incorrecta del cartucho (Vea la página 32.)
- Equilibrio impropio del brazo fonocaptor (Vea la página 32.)
- Impropia fuerza sobre el surco (Vea la página 33.)
- Ajuste impropio del compensador anti-patinaje (Vea la página 33.)
- Velocidad incorrecta

No hay sonido desde un canal

- Unión floja del casco al brazo fonocaptor (Vea el párrafo "Preparación" en la página 32.)
- Conexión floja del cordón de fono
- Ajuste bajo del nivel de volumen para un canal del amplificador
- Conexión incorrecta de los alambres conductores del casco (Vea el párrafo "Instalación del cartucho en la página 32.)

Salto sobre el surco. El brazo fonocaptor tiende patinar hacia afuera. El brazo fonocaptor no avanza. (El disco se repite.)

- El giradiscos no a nivel
- Impropia fuerza sobre el surco (Vea la página 33.)
- Ajuste impropio del compensador anti-patinaje (Vea la página 33.)
- Disco defectuoso
- Ajuste incorrecto de las patas elásticas

Sonido constante de baja velocidad (zumbido)

- Conexión floja del alambre de tierra al amplificador
- Conexión floja entre el casco y el brazo fonocaptor (Vea el párrafo "Preparación" en la página 32.)
- Conexión incorrecta de los alambres conductores de cartucho (Vea el párrafo "Instalación del cartucho" en la página 32.)

Retumbo ruidoso o aullido de baja frecuencia, que tiene lugar al reproducir un disco a altos niveles de sonido (realimentación acústica*).

- Ponga el giradiscos sobre una superficie firme.
- Coloque el giradiscos lo más lejos posible de los altavoces.
- Si lo anterior no resuelve el problema, ensaye con aisladores acústicos, de venta en el mercado, diseñados para ser puestos entre las patas y el anaquel.

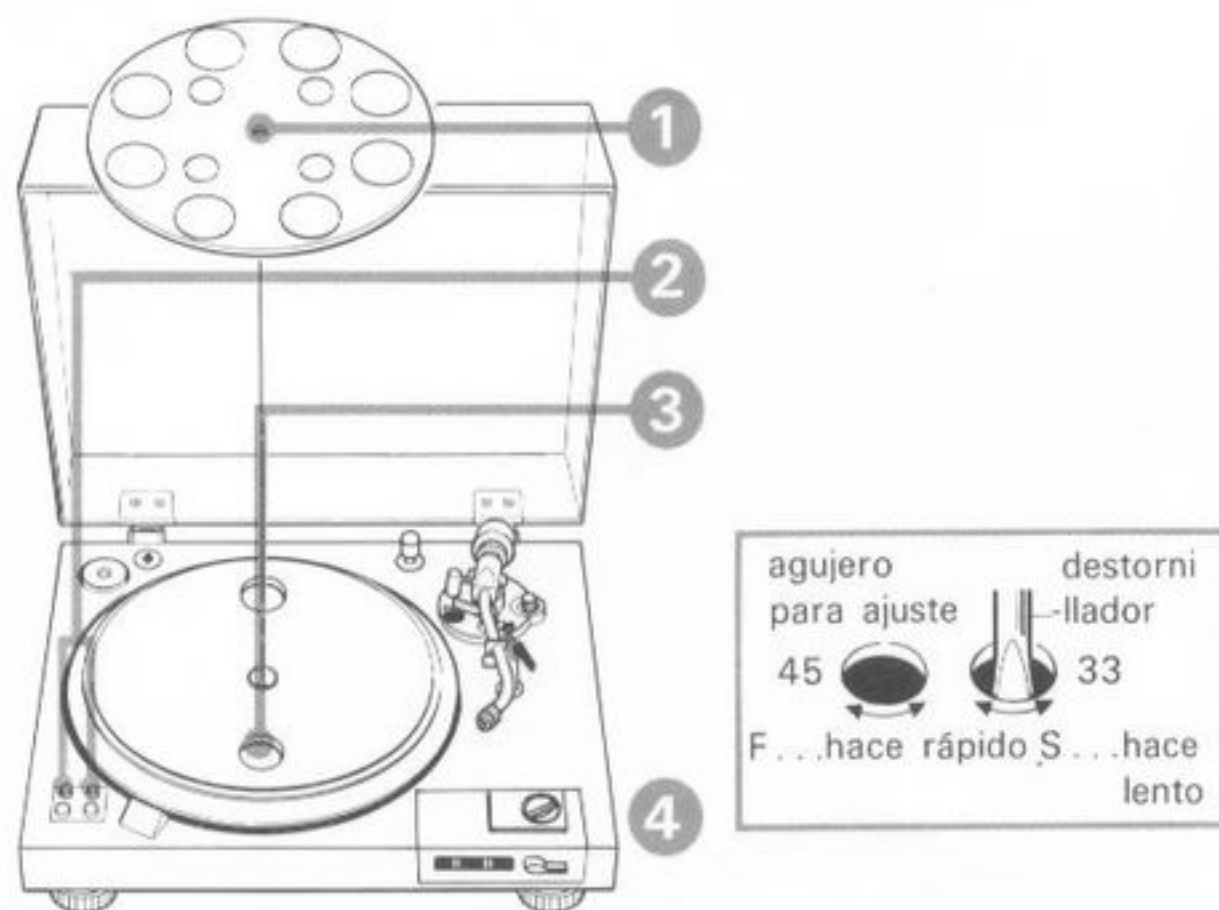
*Realimentación acústica: La vibración de los altavoces se transmite, a través del aire o por objetos sólidos tales como anaqueles, gabinetes, el suelo, etc., al giradiscos, recogida por la aguja del cartucho, amplificada, y finalmente reproducida de nuevo a través de altavoces.

CONTROLES DE REGULACION FINA DE VELOCIDAD

Si las correctas revoluciones no pueden ser obtenidas por ajustamiento de los controles de regulación fina de velocidad delanteros, ajuste los tornillos semi-fijos dentro del giradiscos.

Para ajustar a 33 1/3 rpm, gire el tornillo semi-fijo de 33, para ajustar a 45 rpm, gire el tornillo semi-fijo de 45.

- 1 Remueva la esterilla de gaucho.
- 2 Centre el control de velocidad en frente del 33 o del 45.
- 3 Gire el giradiscos y ponga el agujero en la posición delantera central. Inserte un destornillador pequeño en el agujero y gire como se le indica en el grabado.
- 4 Conecte el tocadiscos otra vez y compruebe que el estroboscopio indicador de frecuencia permanece estacionario.
 - Después de este ajustado, el estroboscopio comenzará a moverse suavemente con las variaciones de frecuencia de energía que afectan a la lámpara de neón del giradiscos. En cualquier caso esto es usado normalmente porque el motor servo-controlado de c.c. del giradiscos usados por este aparato está designado a guardar una velocidad nominal en relación con la frecuencia de la energía.



SONY

**ALIGNMENT
PROTRACTOR**

Pierce the cross point
of fine lines with a pin
and insert a stylus
there.

3-793-395-13 (1)

Printed in Japan ©

