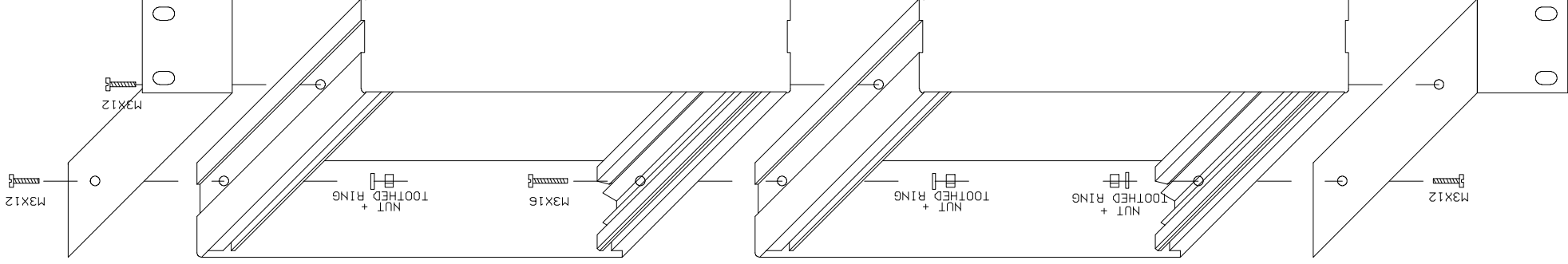


DRM	DATE	SCH	PCB	PROJ : DIV	4	FILE : EA800EXE.SCH	PARMETERMEG 3	EA800 19" MOUNTING	3	4	14-09-94	PIM
					3	SERIE : EA800	EINDHOVEN NL		2			
					1				1			



MOUNTING 2X EA800 UNITS FOR 19" RACKMOUNTING

- 2X 19" FLANGE (1710018)
- 4X SCREW M3X12 (1799035)
- 2X SCREW M3X16 (1799036)
- 6X TOOTHED RING (1799013)
- 6X NUT M3 (1799003)