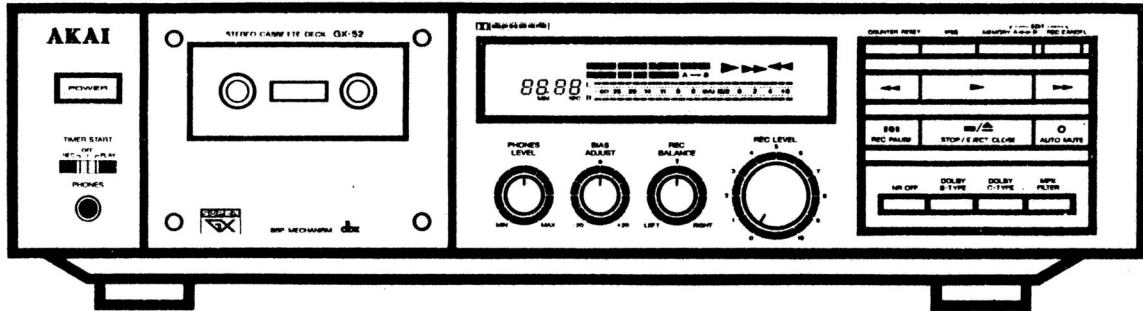




For more Hi-Fi manuals and set-up information
please visit www.hifiengine.com

AKAI SERVICE MANUAL



STEREO CASSETTE DECK

MODEL GX-52

SPECIFICATIONS

Track system	4 track 2 channel stereo	T.H.D.	Less than 0.8%
Heads	Twin field supper GX head for Recording and Playback x 1 Erase head x 1	Frequency response	
Motors	Direct drive EG servo motor for Capstan drive x 1 DC motor for reel drive x 1 DC motor for cam drive and Tape eject/loding x 1	Normal	25Hz to 17,000Hz \pm 3dB
Wow & flutter	0.027% WRMS (JIS), 0.045% (DIN)	CrO ₂	25Hz to 18,000Hz \pm 3dB
S/N (Metal)	59dB (Measured via tape with 3% THD recording level) Dolby B type NR switch ON: Improves up to 5dB at 1KHz, 10dB above 5KHz Dolby C type NR switch ON: Improves up to 15dB at 500Hz, 10dB at 1KHz to 10KHz	Metal	25Hz to 20,000Hz \pm 3dB
		Input sensitivity/Impedance	
		LINE IN	70mV/47kohms
		Output sensitivity/Impedance	
		LINE OUT	388mV/2.7kohms
		Phones	1.3mW (8 ohms)
		Power requirements	120V, 60Hz for Canada 220V, 50Hz for Europe except UK 240V, 50Hz for UK 110/120/220/240V, 50Hz/60Hz convertible for other countries
		Dimension	425(W) x 112(H) x 352(D)mm (16.7 x 4.4 x 13.9 inches)
		Weight	6.5Kg (14.3lbs)

*For improvement purpose, specifications and design are subject to change without notice.

*Noise reduction manufactured under license from Dolby Laboratories Licensing Corporation.

"Dolby" and double-D symbol are trade marks of Dolby Laboratories Licensing Corporation.

★ SAFETY INSTRUCTIONS

PRECAUTIONS DURING SERVICING

- Parts identified by the Δ symbol parts are critical for safety.
Replace only with parts number specified.
- In addition to safety, others parts and assemblies are specified for conformance with such regulations as those applying to spurious radiation.
These must also be replaced only with specified replacement.
Examples: RF cables, noise blocking capacitors, noise blocking filters; etc..
- Use specified internal wiring. Note especially:
 - Wires covered with PVC tubing
 - Double insulated wires
 - High voltage leads
- Use specified insulating materials for hazardous live parts. Note especially:
 - Insulation Tape
 - PVC tubing
 - Spacers (Insulating Barriers)
 - Insulation Seats for transistors
 - Plastic Screws for fixing microswitch (especially in turntable)
- When replacing AC primary side components (transformers, power cords, noise blocking capacitors, etc.), wrap ends of wires securely about the terminals before soldering.



- Observe that wires do not contact heat producing parts (heatsinks, oxide metal film resistors, fusible resistors, etc.).

- Check that replaced wires do not contact sharp edged or pointed parts.
- Also check areas surrounding repaired locations.
- Use care that foreign objects (screws, solder droplets, ect.) do not remain inside that set.

SAFETY CHECK AFTER SERVICING

Confirm the specified insulation resistance between power cord plug prongs and externally exposed parts of the set is greater than 10M ohms, but for equipment with external antenna terminals (tuner, receiver, etc. and is intend for \square or Δ), specified insulation resistance should be headphone jacks line in out jacks etc. more than 2.2M ohms (ground terminals, microphone jacks).

★ INFORMATION

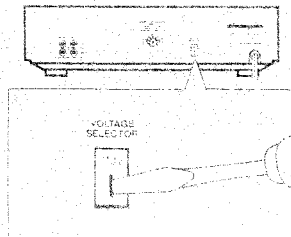
SYMBOLS FOR PRIMARY DESTINATION

Alphabet indicates the destination of the units as listed below.

Symbols	Principal Destinations
Δ	USA
\square	UK
\square	Canada
\square	Eurlop (except UK)
\square	Japan
\square	Australia
\square	W. Germany only
\square	Universal Area
\square	Custom version

VOLTAGE CONVERSION (\square Model only)

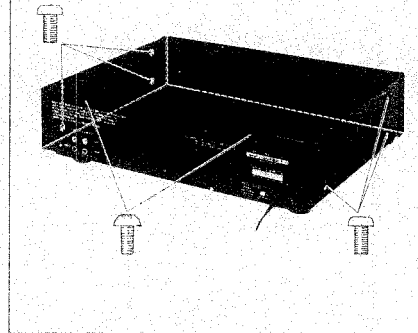
Before connecting the power cord, set the VOLTAGE SELECTOR located on the rear panel with a screwdriver so that the correct voltage is indicated.



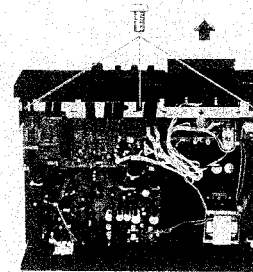
I. DISASSEMBLY

In case of trouble, etc. necessitating dismantling, please dismantle in the order shown in the photographs.
Reassemble in reverse order.

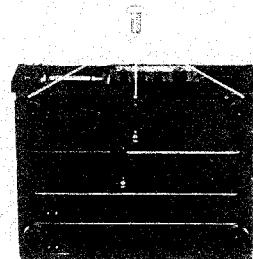
1. REMOVAL OF UPPER COVER



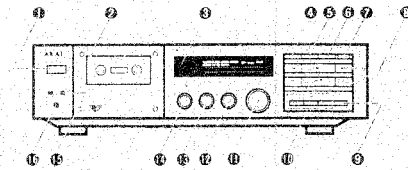
2. REMOVAL OF FRONT COVER



* Remove the cassette lid first then remove the front panel. (Turn on the Power and depress the eject button.)



II. CONTROLS



- POWER Switch**
To turn ON and OFF the power.
- Cassette lid and cassette holder (Power assisted)**
Load a cassette tape here. To open, press the \square/Δ button. To close, press once again.
Do not manually open this cassette holder, as it may damage your equipment.
- FL (Fluorescent) Display**
Tells you what the cassette deck is doing.
- COUNTER RESET button**
To reset the digital counter to "00.00".
- IPSS button**
To select playback with the IPSS system.
- A → B MEMORY button**
For memorization of a selection(s) or part of a selection that you wish to hear repeatedly. Also used with the recording cancel system for erasure of unwanted parts.
- REC CANCEL button**
To cancel recording and rewind tape to the first detectable blank space of tape. Convenient for re-recording a section of tape.
- Operating buttons**
For playback and recording operations.
Press the (\square/Δ) button to open and close the cassette holder.
- MPX (Multiplex) FILTER switch**
To turn on and off the multiplex filter.
- Noise reduction selector (NR OFF, DOLBY B and DOLBY C)**
To select noise reduction for recording and playback purposes.
- REC LEVEL control**
To set recording levels. The level adjustment is the same amount for both right and left channels.
- REC BALANCE control**
To set the left and right channel balance of recording input levels.
- BIAS ADJUST control**
To set the recording bias current. The bias adjustment range is between -20% and +20% of the proper bias current of each tape position. If using a reference tape recommended for use with Akai cassette decks, set this control to the center click "0" position.
- PHONES Level control**
To adjust the output level of the PHONES jack.
- TIMER START Switch**
For absentee recording and timed playback.
- PHONES jack**
To listen through a pair of headphones, connect them to this jack.

III. PRINCIPAL PARTS LOCATION

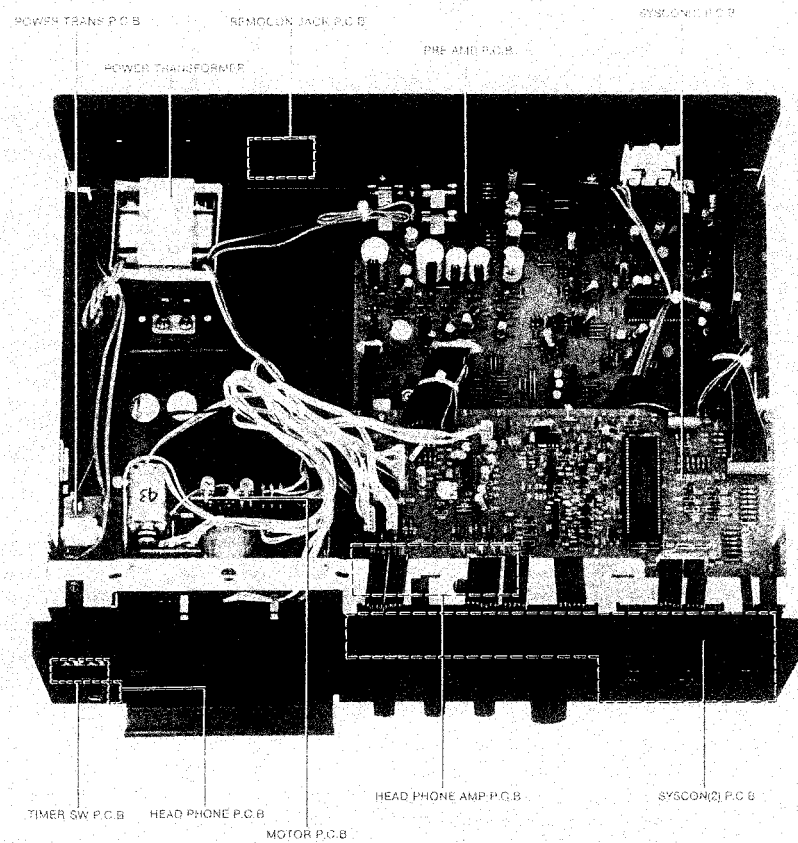


Fig 3-1 Top View

IV. MECHANICAL ADJUSTMENT

4-1. PINCH ROLLER PRESSURE MEASUREMENT (Refer to Fig.4-1)

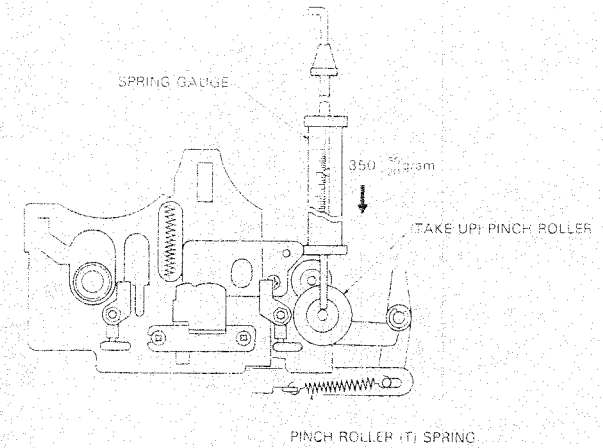


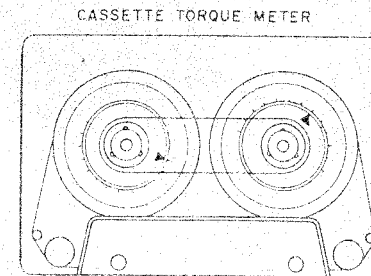
Fig.4-1.

Put in PLAY mode, push pinch roller arm down with the spring gauge push the pinch roller 1 or 2 mm from the capstan and release slowly. Read the spring gauge at the moment the pinch roller touches the capstan and begins to rotate.

Specified pressure: 350 \pm 20 gram (Take up)

If there is no measurement obtained, replace the pinch roller spring.

4-2. WINDING TORQUE MEASUREMENT IN EACH MODE (Refer to Fig.4-2)



Insert a cassette torque meter (AJ-751197) and measure in each mode. For First Forward and Rewind, measure at the end of the tape has stopped running.

PLAY mode
 Take up Torque : 40 \pm 20 \pm 10 g-cm
 Back Tension Torque : 10 \pm 10 \pm 0 g-cm
 FIRST FORWARD, REWIND mode
 Take up Torque : 120 \pm 130 \pm 50 g-cm

Fig.4-2.

4-3 HOW TO INSTALL VOLUME (VR901) AND CAM WHEEL

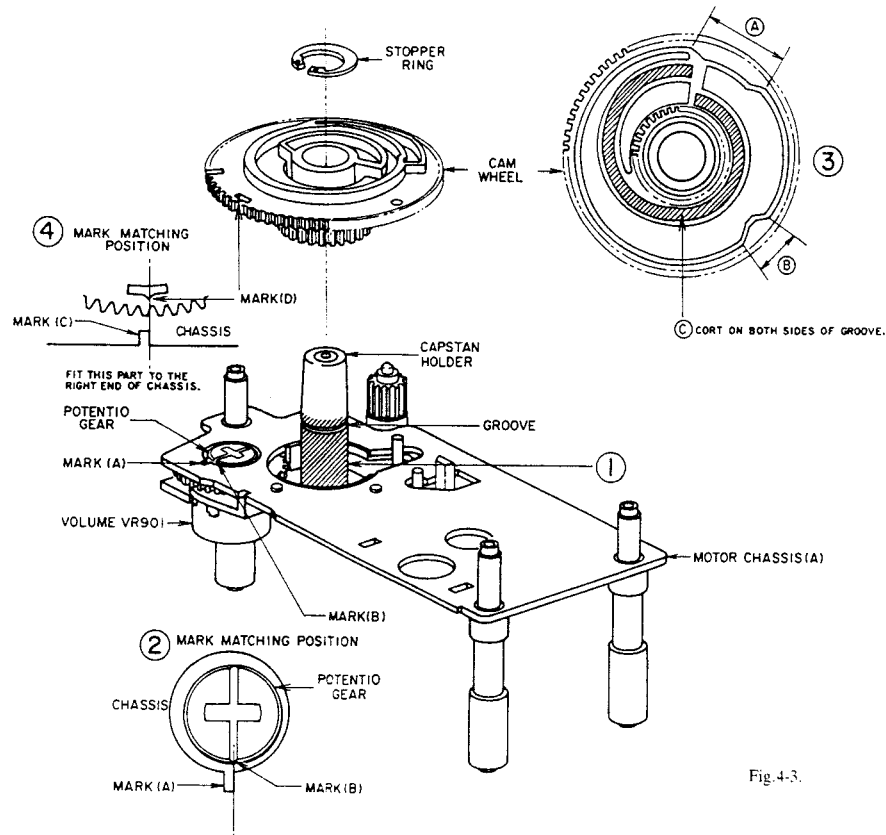


Fig.4-3.

- 1) Apply Molybdenum coat on the capstan holder
Apply Molybdenum coat on the area of 360° from the bottom to the upside 2mm of groove as shown in the figure. (Fig.4-3-①)
- 2) Fitting position volume (potentio gear)
Fit the right end of Mark (A) to the center of Mark (B) as shown in the figure. (Fig. 4-3-②)
- 3) Apply Molybdenum coat on the ①, ② and ③ shown in the Fig.4-3-③
- 4) Set the cam wheel on the capstan wheel (ensure that the cam wheel and potentiometer gear are meshed properly).

When the cam wheel is set properly, fit the center of Mark (D) to the right end of Mark (C). (Fig.4-3-④)

- 5) Fit the stopper ring in the groove of the capstan holder.

CAUTIONS:

1. Make sure that the teeth on the periphery of cam wheel and the cam are absolutely free from any scratch, cut, etc.
2. Make sure that Molybdenum coat is applied on the specified area only.

4-4. POTENTIOMETER PRESET VOLTAGE ADJUSTMENT (Refer to fig. 4-4 to 4-5)

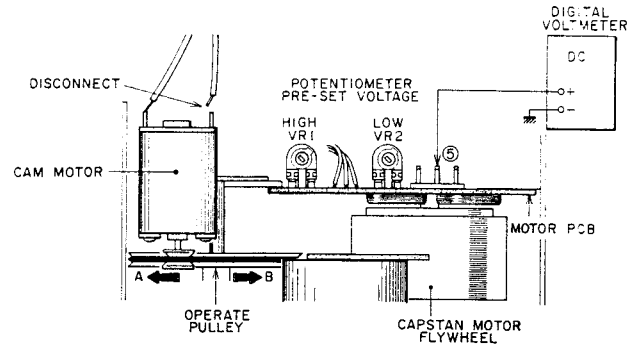


Fig. 4-4.

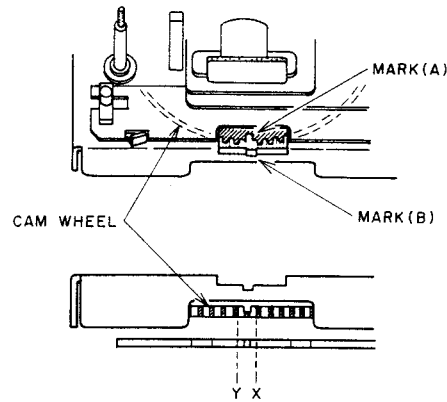


Fig. 4-5.

1) LOW VOLTAGE ADJUSTMENT

- a. With power OFF, remove the connecting cord of the cam motor and turn the operate pulley fully with your fingers in A direction. (EJECT DIRECTION)
- b. Connect the digital voltmeter as shown in fig. 4-4.
- c. With power ON, adjust VR2 so that the voltage reading will be 1.15V (DC).

2) HIGH VOLTAGE ADJUSTMENT

- a. With power OFF, turn the operate pulley fully with your fingers in B direction. (PLAY DIRECTION)
- b. With power ON, adjust VR1 so that voltage reading will be 9.08V (DC).

3) Repeat Items 1) and 2).

- 4) a. With power OFF, connect the connecting cord of the motor.
- b. Remove the digital voltmeter.

- 5) Remove the Cassette lid. Front panel and Bottom cover.

6) a. Set power to ON.

- b. Adjust VR1 slightly so that the center of Marker (A) coincides with the center of Marker (B) (should be within the range between X and Y) at STOP Mode as shown in Fig. 4-5. (The marker (STOP) on the CAM WHEEL can be seen clearly by lighting it from the back.)

c. Set the IPLS switch to ON.

- d. Confirm that head and pinch rollers do not move up and down when the FF and REW switches are alternately depressed.

- e. Turn the reel with fingers on STOP Mode to check that the brake works sufficiently.

When the brake acts normally, the take-up reel does not turn clockwise while the supply reel does not rotate counterclockwise.

V. HEAD ADJUSTMENT

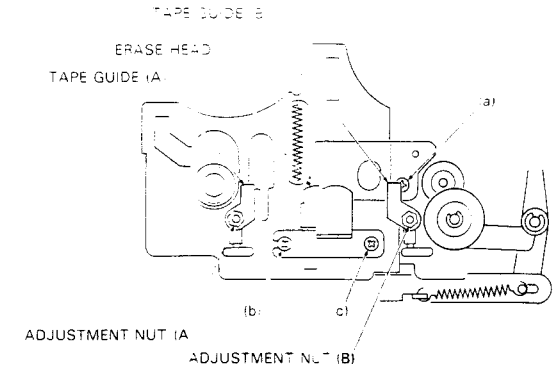


Fig. 5-1.

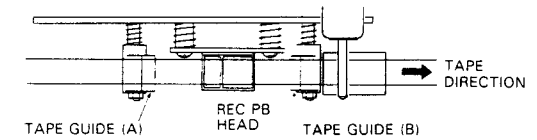


Fig. 5-2.

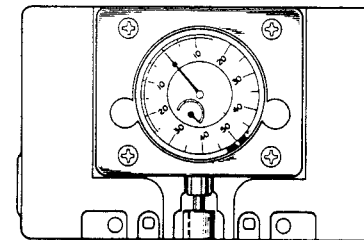


Fig. 5-3 Cassette Head Projection Gauge (AJ-751180)

5-1. REC/PB HEAD PROJECTION ADJUSTMENT

Take off the LID CASE and set the cassette head projection gauge (AJ 751180) and set to PLAY mode. Loosen the screw (a) and adjust so that the gauge indication at that time will be $3.2 \pm 0.1\text{mm}$. After adjustment, apply paintlock on the screw (a).

5-2. TAPE GUIDE HEIGHT ADJUSTMENT

- 1) Set the mirror cassette tape (AJ-751178) and set to PLAY mode.
- 2) Adjust the tape guide (A) so that the parts of the erase head coming out of both sides of the tape (A and A') in Fig. 5-2 will be equal. For the adjustment, use the adjustment nut (A).
- 3) Adjust the tape guide (B) so that the tape runs smoothly and is not hitched by the tape guide. For the adjustment, use the adjustment nut (B).
- 4) After adjustment, paint-lock the adjustment nuts (A) and (B).

5-3. REC/PB HEAD HEIGHT ADJUSTMENT

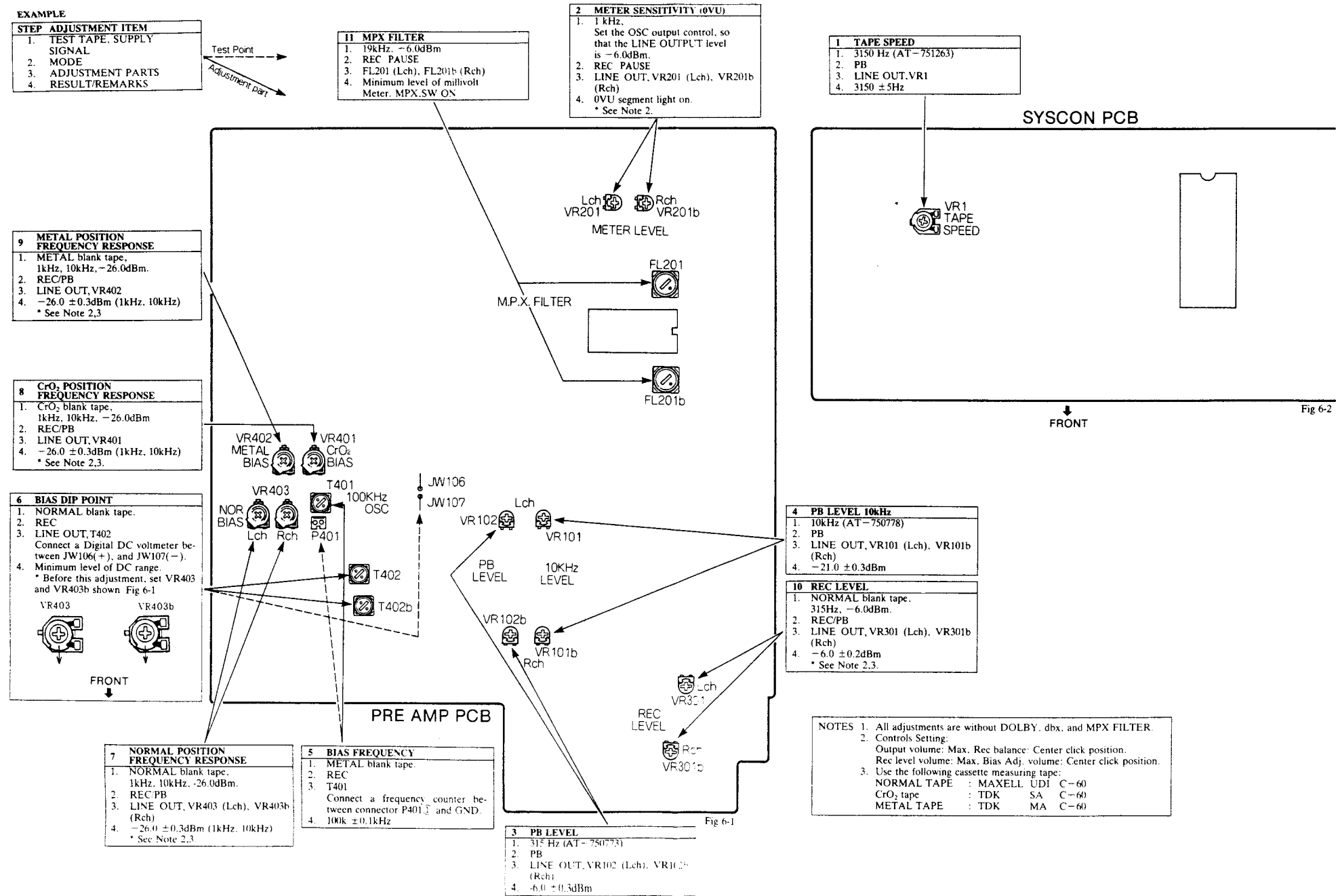
- 1) Set the mirror cassette tape and set to PLAY mode.
- 2) Adjust the screws (b), (c) and (d) so that the upper edge of REC/PB head Lch core and the upper side of the tape is in alignment.
- 3) Playback the head height adjustment tape (4 Track 1.000Hz) (AT-750775), and fine-adjust the screw (b), (c) and (d) so that the largest output is obtained for both channels.

5-4. REC/PB HEAD AZIMUTH ALIGNMENT ADJUSTMENT

- 1) Playback a 10kHz Head Azimuth Alignment Tape (AT-750778) and adjust the screw (d) until the output levels of both channels are at maximum.
- 2) Record a 10kHz, -26dBm signal from the audio frequency oscillator.
- 3) Rewind and check for any fluctuation in the output level at playback.
- 4) After adjustment, paintlock the screws (b), (c) and (d).

- NOTES:
1. Be sure to clean the heads prior to head adjustment.
 2. Be careful not to use a magnetized driver or other magnetized tools in the vicinity of the heads.
 3. Be sure to demagnetize the heads with a Head Demagnetizer before and after head adjustment.

VI. PRE AMP, SYSCON and dbx PCB ADJUSTMENT



PRE AMP PCB



SYSCON PCB



FRONT ↓

NOTES

- All adjustments are without DOLBY, dbx, and MPX FILTER
- Controls Setting:
Output volume: Max, Rec balance: Center click position.
Rec level volume: Max, Bias Adj. volume: Center click position.
- Use the following cassette measuring tape:
NORMAL TAPE : MAXELL UDI C-60
CrO₂ tape : TDK SA C-60
METAL TAPE : TDK MA C-60

VII. PARTS LIST

ATTENTION

- When placing an order for parts, be sure to list Part No., Model No. and the description of each part. Otherwise, the non-delivery of the part or the delivery of a wrong part may result.
- Please make sure that Part No. is correct when ordering. If not, a part different from the one you ordered may be delivered.
- Since the parts shown in Parts List of Preliminary Service Manual may have been the subject of changes, please use this Parts List for all future reference.

HOW TO USE THIS PARTS LIST

- This Parts List lists those parts which are considered necessary for repairs. Other common parts, such as resistors and capacitors, are listed in the "Common List for Service Parts" from which these parts should be selected and stocked.
- The Recommended Spare Parts List shows those parts in the Parts List which are considered particularly important for service.
- Parts not shown in the Parts List and "Common List for Service Parts" will not in principle be supplied.
- How to read the Parts List.
 - Mechanism Block

2. HEAD BASE BLOCK

REF. NO.	PART NO.	DESCRIPTION
2-1x	BH-T2023A320A	HEAD BASE BLOCK
2-2	HP-H2206A010A	HEAD R/P PR4-8FU C
2-3	ZS-477876	PAN20x03STL CMT
2-4	ZS-536488	BID20x08STL CMT
2-5	ZG-402895	SP CS ANGLE ADJUST

- SP (Service Parts) Classification
- A small "x" indicates that this part is not shown in the Photo or Illustration.
- This number corresponds with the individual parts index number in that figure.
- This number corresponds with the Figure Number.

b) PC Board

6. MAIN PC BOARD

REF. NO.	PART NO.	DESCRIPTION
6-1C1	EI-324536	IC HD14049BP
6-1C2	EI-336801	IC MB8841-564M
6-C1A	EC-338399	C MMY V 223M 250AC [U,E,B,S]
6-C1B	EC-350949	C MMY V 223M 250DC [J]
6-C1C	EC-338397	C MMY V 223M 125AC [C,A]
6-X1	EI-318384	OSC X'TAL NC-18C

- Symbols for primary destination:
 - [A]: AAL (U.S.A.) [S]: SAA (Australia)
 - [B]: BEAB (England) [U]: U/T (Universal Area)
 - [C]: CSA (Canada) [V]: VDE (W. Germany)
 - [E]: CEE (Europe) [Y]: Custom Version
 - [J]: JPN (Japan)
- SP (Service Parts) Classification
- These reference symbols correspond with component symbols in the Schematic Diagrams.

The available PC Board Blocks are listed separately.

- When Part No. is known, Parts Index at end of Parts List can be used to locate where that part is shown in Parts List by its Reference No. listed at right of Part No.

WARNING

△ (*) INDICATES SAFETY CRITICAL COMPONENTS. FOR CONTINUED SAFETY, REPLACE SAFETY CRITICAL COMPONENTS ONLY WITH MANUFACTURE'S RECOMMENDED PARTS.

AVERTISSEMENT

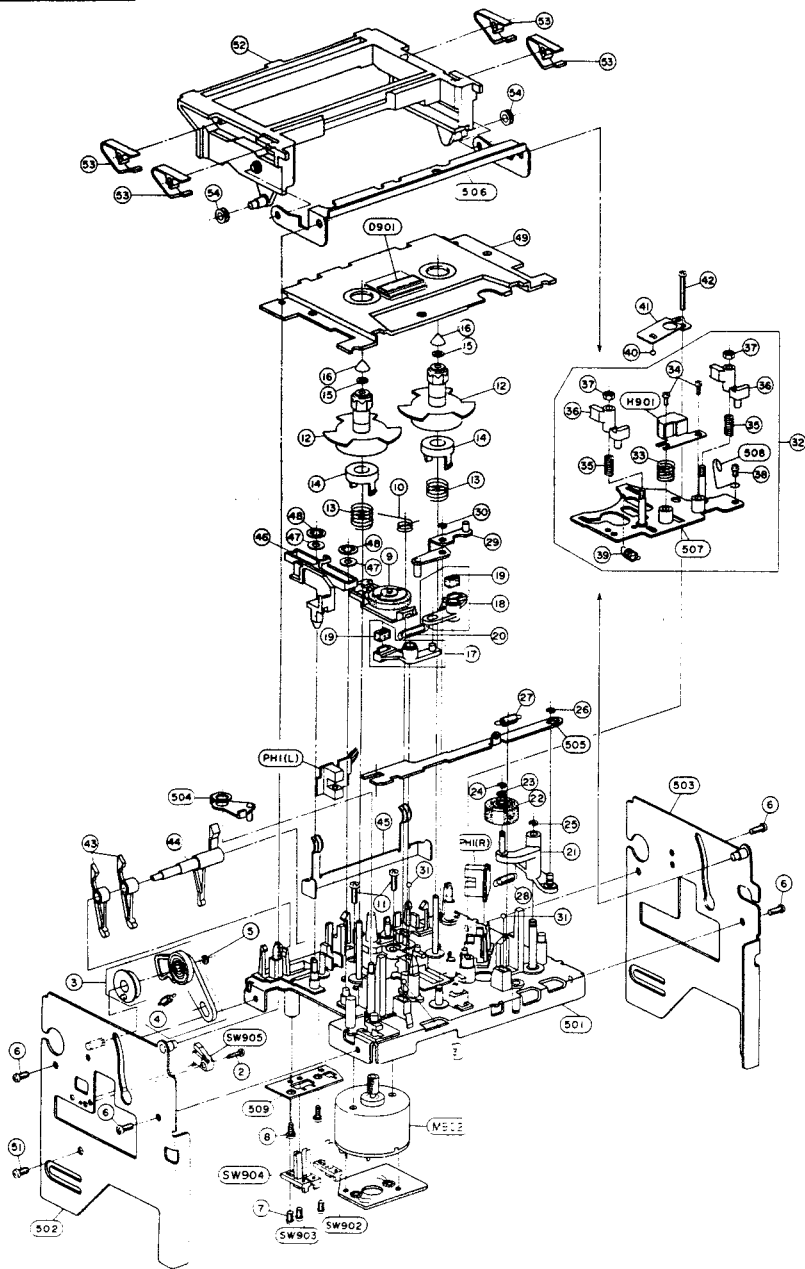
△ (*) IL INDIQUE LES COMPOSANTS CRITIQUES DE SÉCURITÉ. POUR MAINTENIR LE DEGRÉ DE SÉCURITÉ DE L'APPAREIL, NE REMPLACER QUE DES PIÈCES RECOMMANDÉES PAR LE FABRICANT.

1. RECOMMENDED SPARE PARTS

Because, if the parts listed below are on hand, almost any repair can be accomplished, we suggest that you stock these Recommended Spare Parts Items.

Ref. No.	Part No.	Description	Ref. No.	Part No.	Description
1	33-T2100A020A	MECHA BLK GX-52	56	ES-372912	SW LEAF SPW821 01-2
2	34-T2100A030A	HEAD BLK GX-52			[LOADING SW]
3	3M-M3103A010A	MOTOR BLM-3CC	57	ES-373380	SW PUSH ESE-88630 4 THROW N
		[CAPSTAN MOTOR			[NR SW]
4	EM-B345196	MOTOR OPERATION PULLEY PART	58	*ES-371104	SW PUSH SDD01082A 01-1
		[CAM MOTOR			[POWER SW]
5	3R-T2069A360A	REEL TABLE BLK GX-3	59	*ES-359606	SW SELECTOR 8T-41S0454 01-4
6	*8T-373395	TRANS POWER T2100 A.C.			[U] [VOLTAGE SELECTOR]
		[A.C.]	60	ES-370985	SW SLIDE SSSU02 1-01-03N
7	*8T-373398	TRANS POWER T2100 B.S.			[TIMER START SW]
		[B.S.]	61	ES-373381	SW TACT SK-HPP
8	*8T-373396	TRANS POWER T2100 E.V.	62	ET-345091	DETECTOR SPI-201-40 B.C
		[E.V.]			[DETECTOR-R PCB]
9	*8T-373394	TRANS POWER T2100 U.	63	ET-373382	TR DTA1432S
		[U]	64	ET-372030	TR DTA144EF
10	ED-307572	D SILICON H 1S5131	65	ET-354415	TR DTA144ES
11	ED-624903	D SILICON H 1S2473	66	ET-353897	TR DTC114ES
12	*ED-330622	D SILICON 1SR35-100VL 100 1 CA	67	ET-354366	TR DTC114YS
13	ED-316389	D ZENER H Z211 A2	68	ET-373485	TR DTC123JS
14	ED-324014	D ZENER H Z211 B1	69	ET-373392	TR DTC124XS
15	ED-346550	D ZENER H Z211 L B2	70	ET-373391	TR DTC1432S
16	ED-338561	D ZENER H Z22FA B2 F10	71	ET-360824	TR DTC144EF
17	ED-324013	D ZENER H Z220 2	72	ET-354414	TR DTC144ES
18	ED-346624	D ZENER H Z230 2	73	ET-370310	TR DTC144TS
19	ED-306010	D ZENER H Z26 A2	74	ET-308472	TR 2SA1115 E.F.G F05
20	ED-309089	D ZENER H Z26 B2	75	*ET-354841	TR 2SA1282A F.G F05
21	ED-346604	D ZENER H Z27 B1	76	*ET-352726	TR 2SA1392 T.U
22	ED-346609	D ZENER H Z29 C1	77	ET-337760	TR 2SA984K F
23	ED-346638	D ZENER H Z29L A2	78	ET-308977	TR 2SC2274K F F05
24	ED-346540	D ZENER H Z29L B1	79	ET-308141	TR 2SC2603 G F05
25	*EF-355374	FUSE BET T 250V 500MA	80	*ET-365394	TR 2SC3242A E.F.G F05
		[E]	81	*ET-357845	TR 2SC3242A F.G F05
26	*EF-358974	FUSE BET T 250V 630MA	82	ET-349081	TR 2SC3383 S.T
		[E]	83	ET-347961	TR 2SD1012-V G F05
27	*EF-593706	FUSE SEMKO T 250V 500MA	84	*ET-354083	TR 2SD1189 Q.R
		[E]	85	EV-373389	VR ROTARY RK1631110 B102
28	*EF-601942	FUSE SEMKO T 250V 630MA			[BIAS ADJUST.]
		[E]	86	EV-373387	VR ROTARY RK16312A0 A104X2
29	*EF-306949	FUSE TSC A 250V 1.25A			[REC LEVEL.]
		[U]	87	EV-373388	VR ROTARY RK16312A0 A104X2
30	*EF-309388	FUSE TSC A 250V 800MA			[PHONES LEVEL.]
		[U]	88	EV-373385	VR ROTARY RK1631210 M104 N104
31	*EF-309392	FUSE TSC 125V 1.25A			[REC BALANCE]
		[C]	89	HR-H2505A010A	HEAD COMB EPR4-13TG
32	*EF-309391	FUSE TSC 125V 800MA	90	MP-346329	PINCH ROLLER(C)
		[C]	91	TC-336605	WIND IDLER ASSY
33	EH-372101	FILTER DB 428-5162-04			
34	EI-337568	HOLE-E DHD-H070			
35	EI-359985	IC CX20187			
36	EI-356327	IC HA12067NT			
37	EI-337013	IC LB1290			
38	EI-345765	IC LB1292			
39	EI-355602	IC LB1649			
40	EI-373379	IC M50743-600SP T2100 CUSTOM			
41	EI-357498	IC M51143AL			
42	EI-353227	IC M5216L			
43	EI-346071	IC M5218L-21			
44	EI-348785	IC M5220L			
45	EI-201940	IC NJM4558S			
46	EI-336992	IC UPC1043C			
47	EI-373383	IC UPC1297CA			
48	EI-372031	OSC CE W. C FCRB CMC 8.0MHZ			
49	EM-373138	IND FL FP26AW15Y			
50	EQ-328529	RELAY LEAD LAB2NS 2NO 12V			
51	*ER-367642	R FUSE H S10 ERD2FC 1 4W 1200G			
52	*ER-200926	R FUSE H S10 ERD2FC 1 4W 2700G			
53	*ER-200972	R FUSE H S10 ERD2FC 1 4W 3300G			
54	ER-358910	R OMF H S15 FS 2W 181J			
55	ES-336990	SW LEAF BSW-169 01-1 NO			[CR02 METAL]

MECHA BLOCK



PARTS LIST

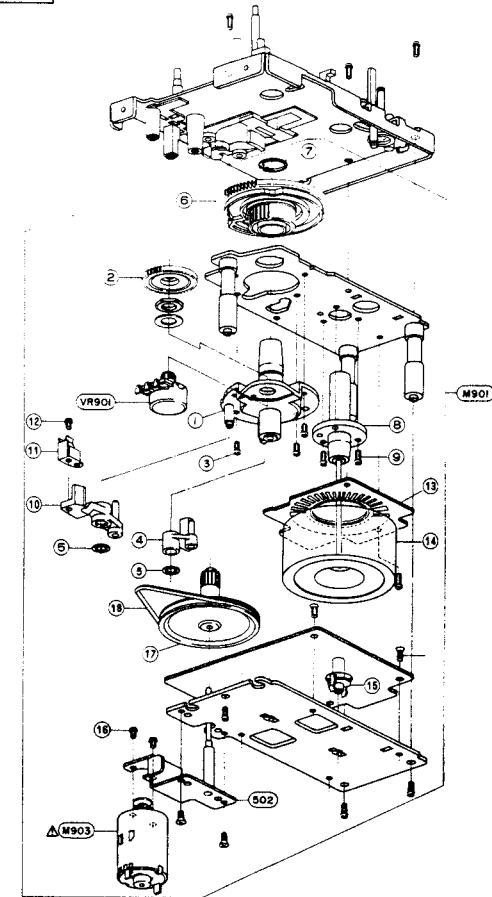
2. MECHA BLOCK

Ref. No.	Part No.	Description
1	BB-T2100A020A	MECHA BLK GX-52
2	ZS-608106	PAN20X06STL CMT
3	BZ-T2030A110C	OL CLUTCH BLK GX-6
4	ZG-341970	SP PULL OIL CLUTCH
5	ZW-270088	RING E190SUP CMT
6	ZS-201275	ST PAN26X06STL CMT
SW905	ES-372912	SW LEAF SPPB21 01-2 [LOADING SW]
PH1(R)	ET-345091	DETECTOR SPI-201-40 B.C [DETECTOR-R PCB]
PH1(L)	ET-345091	DETECTOR SPI-201-40 B.C [DETECTOR-L PCB]
SW902	ES-336990	SW LEAF BSW-169 01-1 NO [CROZ/METAL]
SW903	ES-336990	SW LEAF BSW-169 01-1 NO [120U/70U]
SW904	ES-336990	SW LEAF BSW-169 01-1 NO [ANTI REC]
7	ZS-464703	BID20X04STL CMT
8	ZS-336614	PT PAN26X08STL CMT
9	TC-336605	WIND IDLER ASSY
10	ZG-336140	SP TORSION IDLER
M902	BM-B336989	MOTOR REEL (PULLEY) PART [REEL MOTOR]
11	ZS-550708	PAN26X08STL M3
12	BR-T2068A360A	REEL TABLE BLK GX-9
13	ZG-336141	SP PUSH BT
14	TC-336142	HOLDER BT SP
15	ZW-330073	PW21X04X020 TOUGH LIGHT NO440
16	MT-305793	REEL CAP
17	BL-T2030A160A	LEVER BRAKE (A) BLK GX-F51
18	BL-T2030A170A	LEVER BRAKE (B) BLK GX-F51
19	TC-336146	BRAKE RUBBER
20	ZG-312946	SP T1-03.2/0.29-16.0 T1-062
21	BL-8336150	ARM PINCH ROLLER (A) PART
22	MF-346329	PINCH ROLLER(C)
23	ZW-305546	PW21X04X025PSL
24	ZW-358657	RING E150SUP CMT
25	ZW-270088	RING E190SUP CMT
26	ZW-270088	RING E190SUP CMT
27	ZG-342575	SP PULL PINCH ROLLER (T-2)
28	ZG-321534	SP T2-03.2/0.29-12.5 T2-060
29	BL-8336155	ARM HEAD SLIDE PART
30	ZW-270088	RING E190SUP CMT
31	MV-357208	BALL 200STL
32	BH-T2100A030A	HEAD BLK GX-52
33	ZG-373323	SP PUSH HEAD
H901	HR-H2605A010A	HEAD COMB EPRA-13TG
34	ZS-201508	PAN20X04STL M3
35	ZG-3361308	SP PUSH GUIDE B
36	HZ-336129	GUIDE TAPE
37	ZW-373137	N20STL BNI 1
38	ZS-391386	PAN23X03STL M3
39	ZG-341972	SP PULL HEAD RETURN
40	MV-357208	BALL 200STL
41	ZG-336157	SP PLATE HEAD HOLD
42	ZS-308931	PAN26X18STL CMT
43	ML-336158	LEVER DETECTION (B)
44	ML-336159-A	LEVER DETECTOR(A)
45	ZG-336160	SP PLATE CASSETTE HOLDER (A)
46	TC-336161	SLIDE EJECT
47	ZW-306464	PW31X07X050STL CMT
48	ZW-329422	RING CS 0300
49	SP-336162B-A	LID DECORATION (B)
D901	ED-344244	D LED SLF-601C AMBER [HOUSING LAMP PCB]
50	ZS-479474	PAN26X06STL CMT
51	ZS-201275	ST PAN26X06STL CMT
52	SP-336163B	LID CASE(I)
53	ZG-336615	SP PLATE CASSETTE HOLDER (B)
54	SZ-336166	COLLAR LID

NOTE: The parts reference numbered here except the ones in 500's are normally stocked for replacement purpose. The rest of the parts shown in this manual are not stocked since they are seldom required for routine service.

PARTS LIST

MOTOR BLM310B BLOCK



3. MOTOR BLM-300 BLOCK

Ref. No.	Part No.	Description
M901	BM-M3103A010A	MOTOR BLM-300 [CAPSTAN MOTOR]
1	TC-3380048	HOLDER CAPSTAN (C-2)
VR901	EV-337052	VR ROTARY 16L10XOR B103
2	MZ-338005	GEAR POTENTION
3	ZS-432843	PAN26X04STL CMT
4	BL-8338007	LEVER BRAKE CAM PART
5	ZW-653163	RING CS 280STL PKR
6	MZ-338006	CAM WHEEL
7	ZW-338604	RETAINING RING O S930SLP ACP
8	TC-338002	HOLDER CAPSTAN (B)
9	ZS-479474	PAN26X05STL CMT
10	BL-8338009	LEVER EJECT CAM PART
11	MZ-353158	SP PLATE EJECT
12	ZS-477876	PAN20X03STL CMT
13	EA-338012	PC FG

Ref. No.	Part No.	Description
14	BF-8338013	FLYWHEEL PART
15	TC-338016	HOLDER THRUST (A)
M903	BM-8345198	MOTOR OPERATION (PULLEY) PART [CAM MOTOR]
16	ZS-592378	PAN26X03STL CMT
17	MR-336019	PULLEY OPERATE
18	MB-336021	BELT OPERATION

NOTE: The parts reference numbered here except the ones in 500's are normally stocked for replacement purpose. The rest of the parts shown in this manual are not stocked since they are seldom required for routine service.

4. P.C BOARD BLOCK

Ref. No.	Part No.	Description
1A	BA-T2100A040A	PC(≡) PRE AMP BLK GX-52(U) [U]
1B	BA-T2100A040B	PC(≡) PRE AMP BLK GX-52(C,E,B) [B,C,E]
2	BA-T2100A050A	PC(≡) SYSCON BLK GX-52

PC PRE-AMP BLK CONSISTS OF FOLLOWING P.C.BOARD.

- PRE-AMP P.C.BOARD
- HEADPHONE AMP P.C.BOARD
- POWER TRANS P.C.BOARD
- HEADPHONE P.C.BOARD

PC SYSCON BLK CONSISTS OF FOLLOWING P.C.BOARD.

- SYSTEM CONTROL(1)P.C.BOARD
- SYSTEM CONTROL(2)P.C.BOARD
- TIMER SW P.C.BOARD
- REMOCON JACK P.C.BOARD

5. PRE-AMP P.C BOARD

Ref. No.	Part No.	Description
D101	ED-624903	D SILICON H 1S2473
D501	*ED-330622	D SILICON 1SR35-100VL 100/1.0A
D502	*ED-330622	D SILICON 1SR35-100VL 100/1.0A
D503	*ED-330622	D SILICON 1SR35-100VL 100/1.0A
D504	*ED-330622	D SILICON 1SR35-100VL 100/1.0A
D505	ED-624903	D SILICON H 1S2473
D506	ED-373390	D LED LTZ-R15 RED F10
D507	ED-346540	D ZENER H HZ9L B1
D508	ED-624903	D SILICON H 1S2473
D509	ED-373390	D LED LTZ-R15 RED F10
D510	ED-346540	D ZENER H HZ9L B1
D511	*ED-330622	D SILICON 1SR35-100VL 100/1.0A
D512	*ED-330622	D SILICON 1SR35-100VL 100/1.0A
D513	*ED-330622	D SILICON 1SR35-100VL 100/1.0A
D514	*ED-330622	D SILICON 1SR35-100VL 100/1.0A
D515	ED-624903	D SILICON H 1S2473
D516	ED-346550	D ZENER H HZ21L B2
D517	ED-624903	D SILICON H 1S2473
D518	ED-346550	D ZENER H HZ21L B2
D519	ED-346538	D ZENER H HZ9L A2
D520	ED-346538	D ZENER H HZ9L A2
D521	*ED-330622	D SILICON 1SR35-100VL 100/1.0A
D522	*ED-330622	D SILICON 1SR35-100VL 100/1.0A
D523	ED-324014	D ZENER H HZ11 B1
D541	*ED-330622	D SILICON 1SR35-100VL 100/1.0A
D542	*ED-330622	D SILICON 1SR35-100VL 100/1.0A
D543	*ED-330622	D SILICON 1SR35-100VL 100/1.0A
D544	*ED-330622	D SILICON 1SR35-100VL 100/1.0A
D552	ED-324014	D ZENER H HZ11 B1
D553	ED-324014	D ZENER H HZ11 B1
D554	*ED-330622	D SILICON 1SR35-100VL 100/1.0A
D555	*ED-330622	D SILICON 1SR35-100VL 100/1.0A
D556	*ED-330622	D SILICON 1SR35-100VL 100/1.0A
D557	ED-306010	D ZENER H HZ6 A2
D558	ED-309089	D ZENER H HZ6 B2
D559	ED-624903	D SILICON H 1S2473
D560	ED-346624	D ZENER H HZ30 2
D561	ED-324013	D ZENER H HZ20 2
D562	*ED-330622	D SILICON 1SR35-100VL 100/1.0A
D563	*ED-330622	D SILICON 1SR35-100VL 100/1.0A
D564	*ED-330622	D SILICON 1SR35-100VL 100/1.0A
D565	*ED-330622	D SILICON 1SR35-100VL 100/1.0A
D566	*ED-330622	D SILICON 1SR35-100VL 100/1.0A
D601	ED-624903	D SILICON H 1S2473
D602	ED-624903	D SILICON H 1S2473
FL101	EH-368105	FILTER EMI STY103NB
FL201	EH-372101	FILTER DB 42B-5162-04
FL202	EO-323982	COIL TUN 1 1002-431 100.00KHZ
FL203	EH-368105	FILTER EMI STY103NB
FL204	EH-368105	FILTER EMI STY103NB
FL205	EH-368105	FILTER EMI STY103NB
FR401	*ER-200972	R FUSE H S10 ERD2FC 1/4W 33R0G

Ref. No.	Part No.	Description
FR501	*ER-200926	R FUSE H S10 ERD2FC 1/4W 27R0G
FR502	*ER-367642	R FUSE H S10 ERD2FC 1/4W 1200G
IC101	EH-348785	K C M5220L
IC201	EH-359985	K CX20187
IC301	EH-346071	K M5218L-21
IC401	EH-373383	K UPC1287CA
IC601	EH-357498	K M51143AL
J601	EJ-336905	PN J AUC-035-ACB P 4P [LINE IN / OUT]
L201	EO-372996	COIL FIX 1 RC875 223J
L301	EO-357050	COIL FIX 1 RC875 822J
L302	EO-369899	COIL FIX 1 79-5249-13 542J
RL101	EQ-328529	RELAY LEAD LABZNS 2NO 12V
TR101	ET-349081	TR 25C3383 S.T
TR102	ET-349081	TR 25C3383 S.T
TR103	ET-349081	TR 25C3383 S.T
TR104	ET-373485	TR DTC123JS
TR105	ET-354365	TR DTC114YS
TR106	ET-354365	TR DTC114YS
TR201	ET-349081	TR 25C3383 S.T
TR202	ET-349081	TR 25C3383 S.T
TR203	ET-349081	TR 25C3383 S.T
TR301	ET-349081	TR 25C3383 S.T
TR302	ET-349081	TR 25C3383 S.T
TR303	ET-349081	TR 25C3383 S.T
TR304	ET-349081	TR 25C3383 S.T
TR305	ET-349081	TR 25C3383 S.T
TR306	ET-349081	TR 25C3383 S.T
TR307	ET-349081	TR 25C3383 S.T
TR401	*ET-357845	TR 25C3242A F.G.F05
TR402	ET-373391	TR DTC143ZS
TR403	ET-370310	TR DTC144TS
TR404	ET-370310	TR DTC144TS
TR405	ET-308977	TR 25C2274K F.F05
TR406	ET-308977	TR 25C2274K F.F05
TR407	ET-308472	TR 25A1192 T.U
TR408	ET-373392	TR DTC124XS
TR409	ET-370310	TR DTC144TS
TR410	ET-370310	TR DTC144TS
TR411	ET-354415	TR DTA144ES
TR513	ET-308141	TR 25C2603 G.F05
TR501	*ET-349081	TR 25C3383 S.T
TR502	ET-352726	TR 25A1392 T.U
TR503	*ET-352726	TR 25A1392 T.U
TR504	ET-349081	TR 25C3383 S.T
TR505	*ET-349081	TR 25C3383 S.T
TR506	*ET-349081	TR 25C3383 S.T
TR507	*ET-349081	TR 25C3383 S.T
TR508	*ET-352726	TR 25A1392 T.U
TR509	*ET-352726	TR 25A1392 T.U
TR510	*ET-352726	TR 25A1392 T.U
TR511	*ET-357845	TR 25C3242A F.G.F05
TR551	*ET-357845	TR 25C3242A F.G.F05
TR552	*ET-354841	TR 25A1282A F.G.F05
TR553	*ET-354083	TR 25D1189 Q.F
TR554	*ET-308141	TR 25C2603 G.F05
TR555	*ET-308472	TR 25A1115 F.E.F.G.F05
TR556	*ET-308141	TR 25C2603 G.F05
TR557	*ET-365394	TR 25C3242A F.E.F.G.F05
TR601	ET-354415	TR DTA144ES
TR602	ET-354415	TR DTA144ES
TR603	ET-354415	TR DTA144ES
T401	EO-373384	COIL OSC 1 23D6-01 100.0KHZ
T402	EO-373463	COIL OSC 1 23D6-02 100.0KHZ
VR101	EV-356582	R S-FIX H RH0615C 0.10W 473
VR102	EV-356577	R S-FIX H RH0615C 0.10W 103
VR201	EV-357619	R S-FIX H RH0615C 0.10W 104
VR301	EV-357619	R S-FIX H RH0615C 0.10W 104
VR401	EV-345781	P S-FIX H RVFBP01 0.10W 202
VR402	EV-337996	R S-FIX H RVFBP01 0.10W 104
VR403	EV-337996	R S-FIX H RVFBP01 0.10W 104
F1A	*EF-309388	FUSE TSC A 250V 800MA [U]
F2A	*EF-309388	FUSE TSC A 250V 800MA [U]
F3A	*EF-306949	FUSE TSC A 250V 1.25A [U]

Ref. No.	Part No.	Description
F4A	*EF-306949	FUSE TSC A 250V 1.25A [U]
F1B	*EF-309391	FUSE TSC 125V 800MA [C]
F2B	*EF-309391	FUSE TSC 125V 800MA [C]
F3B	*EF-309392	FUSE TSC 125V 1.25A [C]
F4B	*EF-309392	FUSE TSC 125V 1.25A [C]
F1C	*EF-593706	FUSE SEMKO T 250V 500MA [E]
F2C	*EF-593706	FUSE SEMKO T 250V 500MA [E]
F3C	*EF-601942	FUSE SEMKO T 250V 630MA [E]
F4C	*EF-601942	FUSE SEMKO T 250V 630MA [E]
F1D	*EF-355374	FUSE BET T 250V 500MA [B]
F2D	*EF-355374	FUSE BET T 250V 500MA [B]
F3D	*EF-358974	FUSE BET T 250V 630MA [B]
F4D	*EF-358974	FUSE BET T 250V 630MA [B]

6. HEADPHONE AMP P.C BOARD

Ref. No.	Part No.	Description
IC701	EH-353227	IC M5216L
IC705	ER-358910	R OMF H S15 FS 2W 181J
IC706	ER-358910	R OMF H S15 FS 2W 181J
VR701	EV-373387	VR ROTARY RK16312A0 A104X2 [REC LEVEL]
VR702	EV-373385	VR ROTARY RK1631210 M104 N104 [REC BALANCE]
VR703	EV-373388	VR ROTARY RK16312A0 A104X2 [PHONES LEVEL]
VR704	EV-373389	VR ROTARY RK1631110 B102 [BIAS ADJUST]

7. POWER TRANS P.C BOARD

Ref. No.	Part No.	Description
CB01A	*EC-320548	C CE V F 1032 250AC [U]
CB01B	*EC-338411	C CE V F 103P 400AC [C.B.E]
FL801	EO-368645	COIL LF LF4N
SW801	*ES-371104	SW PUSH SDDLD1082A 01-1 [POWER SW]

8. HEADPHONE P.C BOARD

Ref. No.	Part No.	Description
J701	EJ.369995	PHONE J 3P HLJ0540-410 GP 6 3 PHONES

9. SYSTEM CONTROL (1) P.C BOARD

Ref. No.	Part No.	Description
D1	ED-307572	D SILICON H 1SS131
D2	ED-307572	D SILICON H 1SS131
D3	ED-307572	D SILICON H 1SS131
D4	ED-307572	D SILICON H 1SS131
D5	ED-307572	D SILICON H 1SS131
D6	ED-346593	D ZENER H HZ3 B1
D7	ED-338332	D ZENER H HZ4 A2
D8	ED-316389	D ZENER H HZ11 A2
D9	ED-346609	D ZENER H HZ9 C1
D10	ED-307572	D SILICON H 1SS131
D11	ED-348604	D ZENER H HZ7 B2
D12	ED-307572	D SILICON H 1SS131
D13	ED-307572	D SILICON H 1SS131
D14	ED-307572	D SILICON H 1SS131
D15	ED-307572	D SILICON H 1SS131
D16	ED-307572	D SILICON H 1SS131
D17	ED-307572	D SILICON H 1SS131
D18	ED-307572	D SILICON H 1SS131
IC1	EH-373379	IC M50743-600SP T2100 CUSTOM
IC2	EI-338992	IC UPC1043C
IC3	EI-346071	IC M5218L-21
IC4	EI-346071	IC M5218L-21
IC5	EI-355802	IC LB1649
TR1	ET-354414	TR DTC144ES
TR2	ET-354414	TR DTC144ES
TR3	ET-353897	TR DTC114ES
TR4	ET-353897	TR DTC114ES
TR5	ET-353897	TR DTC114ES
TR6	ET-353897	TR DTC114ES
TR7	ET-353897	TR DTC114ES
TR8	ET-353897	TR DTC114ES
TR9	ET-353897	TR DTC114ES
TR10	ET-353897	TR DTC114ES
TR11	ET-353897	TR DTC114ES
TR12	ET-353897	TR DTC114ES
TR13	ET-353897	TR DTC114ES
TR14	ET-308141	TR 25C2603 G.F05
TR15	ET-347961	TR 25D1012-V G.F05
TR16	ET-347961	TR 25D1012-V G.F05
TR17	ET-347961	TR 25D1012-V G.F05
TR18	ET-347961	TR 25D1012-V G.F05
TR19	ET-347961	TR 25D1012-V G.F05
TR20	ET-354415	TR DTA144ES
TR21	ET-308141	TR 25C2603 G.F05
TR22	ET-353897	TR DTC114ES
TR23	ET-353897	TR DTC114ES
TR24	ET-353897	TR DTC114ES
TR25	ET-308141	TR 25C2603 G.F05
TR26	ET-308141	TR 25C2603 G.F05
TR27	ET-354414	TR DTC144ES
TR28	ET-354414	TR DTC144ES
TR29	ET-353897	TR DTC114ES
TR30	ET-308472	TR 25A1115 F.E.F.G.F05
TR31	ET-373382	TR DTA143ZS
TR32	ET-353897	TR DTC114ES
TR33	ET-353897	TR DTC114ES
TR34	ET-353897	TR DTC114ES
TR35	ET-353897	TR DTC114ES
TR36	ET-353897	TR DTC114ES
TR37	ET-353897	TR DTC114ES
VR1	EV-330531	R S-FIX H TMBK2-1S 0.50W503
X1	EH-372031	OSC CE W/C FCR8.0MC 8.0MHZ

10. SYSTEM CONTROL (2) P.C BOARD

Ref. No.	Part No.	Description
D201	ED-624903	D SILICON H 1S2473
D202	ED-624903	D SILICON H 1S2473
D203	ED-307572	D SILICON H 1SS131
D204	ED-624903	D SILICON H 1S2473
D205	ED-624903	D SILICON H 1S2473
IC201	EI-345765	IC L81292
IC202	EI-345765	IC L81292
IC203	EI-337013	IC L81290
IC204	EI-356327	IC HA12067NT
IN201	EM-373136	IND FL FIP26AW15Y
SW201	ES-373380	SW PUSH ESB-68630 4 THROW N [NR SW]
TR201	ET-360824	TR DTC144EF
TR202	ET-360824	TR DTC144EF
TR203	ET-372030	TR DTA144EF
TR204	ET-372030	TR DTA144EF
TR205	ET-360824	TR DTC144EF
TR206	ET-360824	TR DTC144EF
TS201	ES-373381	SW TACT SKHPPP
TS202	ES-373381	SW TACT SKHPPP
TS203	ES-373381	SW TACT SKHPPP
TS204	ES-373381	SW TACT SKHPPP
TS205	ES-373381	SW TACT SKHPPP
TS206	ES-373381	SW TACT SKHPPP
TS207	ES-373381	SW TACT SKHPPP
TS208	ES-373381	SW TACT SKHPPP
TS209	ES-373381	SW TACT SKHPPP
TS210	ES-373381	SW TACT SKHPPP

11. TIMER SW P.C BOARD

Ref. No.	Part No.	Description
SW301	ES-370965	SW SLIDE SSSU02 1-01-03N [TIMER START SW]

12. REMOCON JACK P.C BOARD

Ref. No.	Part No.	Description
J401	EJ-346076	DIN J TCS4690-01-1111 P 8P [REMOTE]

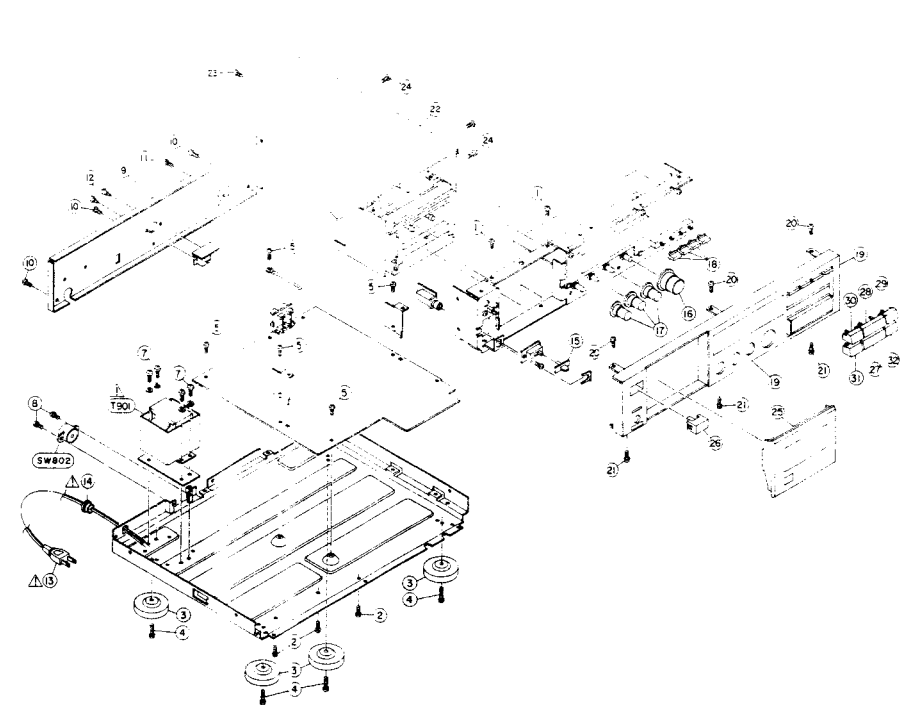
13. MOTOR P.C BOARD

Ref. No.	Part No.	Description
D5	ED-338561	D ZENER H HZ2FA B2 F10
IC1	EI-201940	IC NJM4558S
IC2	EI-201940	IC NJM4558S
IC3	EI-337568	HOLE-E DHD-H070
IC4	EI-337568	HOLE-E DHD-H070
TR1	ET-308977	TR 2SC2274K F F05
TR2	ET-337760	TR 2SA984K F
TR3	ET-308977	TR 2SC2274K F F05
TR4	ET-337760	TR 2SA984K F
VR1	EV-464253	R S-FIX V V8K1-1 0.10W 202
VR2	EV-464253	R S-FIX V V8K1-1 0.10W 202

14. FINAL ASSEMBLY BLOCK

Ref. No.	Part No.	Description
1	ZS-361242	ST BR26X06STL CMT
2	ZS-345272	ST BR30X06STL BN
3	SA-8369350A1	FOOT PART
4	ZS-351098	ST BR30X12STL BN
5	ZS-342001	ST BR30X06STL N3
6	MZ-553948	WIRE BAND F-100
T901A	*BT-373394	TRANS POWER T2100(U) [U]
T901B	*BT-373395	TRANS POWER T2100(A,C) [A,C]
T901C	*BT-373396	TRANS POWER T2100(E,V) [E,V]
T901D	*BT-373398	TRANS POWER T2100(B,S) [B,S]
7	ZS-322580	ST BD40X08STL BN
SW802	*ES-359606	SW SELECTOR BT-41S0454 01-4 [U] [VOLTAGE SELECTOR]
8	ZS-352133	ST BR30X10STL CMT
9A	SP-373338A	PANEL REAR GX-52(U) [U]
9B	SP-373338C	PANEL REAR GX-52(C) [C]
9C	SP-373338D	PANEL REAR GX-52(E) [E]
9D	SP-373338E	PANEL REAR GX-52(B) [B]
10	ZS-345272	ST BR30X06STL BN
11	ZS-350934	PT BR30X08STL BN
12	ZW-231030	RV NYL30X045 BL
13A	*EW-363654	AC CORD 200 0129AVFF B300 A U/ [U]
13B	*EW-363617	AC CORD 200 0238 SPT1 B300 A UC [C]
13C	*EW-363667	AC CORD 200 0364 LCFL B300 A E [E]
13D	*EW-363679	AC CORD 200 LCFL B300 A B [B]
14	*EZ-330775	CLAMPER EYZ 130
15-G	SK-358066E	KNOB SLIDE(A)-GOLD [TIMER START-GOLD]
15-B	SK-358066B	KNOB SLIDE-BLACK [TIMER START-BLACK]
16-G	SK-373334B	KNOB VRIA(A)-GOLD [REC LEVEL-GOLD]
16-B	SK-373334A	KNOB VRIA(A)-BLACK [REC LEVEL-BLACK]
17-G	SK-373335B	KNOB VRIB(B)-GOLD [GOLD]
17-B	SK-373335A	KNOB VRIB(B)-BLACK [BLACK]
18-G	SK-373340B	KNOB PUSH-GOLD [GOLD]
18-B	SK-373340A	KNOB PUSH-BLACK [BLACK]
19-G	BD-T2100A060A	PANEL FRONT BLK GX-52-G [GOLD]

FINAL ASSEMBLY BLOCK



Ref. No.	Part No.	Description
19-B	BD-T2100A060B	PANEL FRONT BLK GX-52-B [BLACK]
20	ZS-320906	ST BR30X06STL CMT
21	ZS-305827	ST BD30X06STL BN
22-G	SP-373343B	COVER UPPER-GOLD [GOLD]
22-B	SP-373343A	COVER UPPER-BLACK [BLACK]
23-G	ZS-342001	ST BR30X06STL N3 [GOLD]
23-B	ZS-345272	ST BR30X06STL BN [BLACK]
24-G	ZS-341959	ST BD40X06STL N3 [GOLD]
24-B	ZS-341960	ST BD40X06STL BN [BLACK]
25-G	BD-T2100A070A	LO PANEL BLK GX-52-G [GOLD]
25-B	BD-T2100A070B	LO PANEL BLK GX-52-B [BLACK]
26-G	SK-373236A	KNOB POWER-GOLD [GOLD]
26-B	SK-373236B	KNOB POWER-BLACK [BLACK]
27-G	SK-373336B	KNOB OPERATION(A) STOP-GOLD [GOLD]
27-B	SK-373336A	KNOB OPERATION(A) STOP-BLACK [BLACK]

Ref. No.	Part No.	Description
28-G	SK-373336D	KNOB OPERATION(A) PLAY-GOLD [GOLD]
28-B	SK-373336C	KNOB OPERATION(A) PLAY-BLACK [BLACK]
29-G	SK-373337B	KNOB OPERATION(B) FF-GOLD [GOLD]
29-B	SK-373337A	KNOB OPERATION(B) FF-BLACK [BLACK]
30-G	SK-373337D	KNOB OPERATION(B) REW-GOLD [GOLD]
30-B	SK-373337C	KNOB OPERATION(B) REW-BLACK [BLACK]
31-G	SK-373337F	KNOB OPERATION(B) PAUSE-GOLD [GOLD]
31-B	SK-373337E	KNOB OPERATION(B) PAUSE-BLACK [BLACK]
32-G	SK-373337H	KNOB OPERATION(B) MUTE-GOLD [GOLD]
32-B	SK-373337G	KNOB OPERATION(B) MUTE-BLACK [BLACK]

NOTE: SYMBOL FOR COLOR VARIATION
 B: BLACK
 G: GOLD

INDEX

INDEX

Part No.	Ref. No.	Part No.	Ref. No.	Part No.	Ref. No.	Part No.	Ref. No.
BA-T2100A040A	1A	ED-330622	D555	EI-337568	IC3	ET-308141	TR21
BA-T2100A040B	1B	ED-330622	D556	EI-337568	IC4	ET-308141	TR25
BA-T2100A050A	2	ED-330622	D562	EI-345765	3B	ET-308141	TR26
BB-T2100A020A	1	ED-330622	D563	EI-345765	IC201	ET-308472	74
BB-T2100A020A	1	ED-330622	D564	EI-345765	IC202	ET-308472	TR407
BD-T2100A060A	19-G	ED-330622	D605	EI-346071	43	ET-308472	TR555
BD-T2100A060B	19-B	ED-330622	D566	EI-346071	IC301	ET-308472	TR30
BD-T2100A070A	25-G	ED-338332	D7	EI-346071	IC3	ET-308977	78
BD-T2100A070B	25-B	ED-338561	16	EI-346071	IC4	ET-308977	TR405
BF-B336013	14	ED-338561	D5	EI-348785	44	ET-308977	TR406
BH-T2100A030A	2	ED-344244	D901	EI-348785	IC101	ET-308977	TR1
BH-T2100A030A	32	ED-348538	D23	EI-353227	42	ET-308977	TR3
BL-B336007	4	ED-348538	D519	EI-353227	IC701	ET-337760	77
BL-B336009	10	ED-348538	D520	EI-355602	39	ET-337760	TR2
BL-B336150	21	ED-348540	24	EI-355602	IC5	ET-337760	TR4
BL-B336155	29	ED-348540	D507	EI-356327	36	ET-345091	62
BL-T2030A160A	17	ED-348540	D510	EI-356327	IC204	ET-345091	PH1(R)
BL-T2030A170A	18	ED-348550	15	EI-357498	41	ET-345091	PH1(L)
BM-B336989	M902	ED-348550	D516	EI-357498	IC601	ET-347961	83
BM-B345196	4	ED-348550	D518	EI-359985	35	ET-347961	TR15
BM-B345196	M903	ED-348593	D6	EI-359985	IC201	ET-347961	TR18
BM-M3103A010A	3	ED-348604	21	EI-372031	48	ET-347961	TR17
BM-M3103A010A	M901	ED-348604	D11	EI-372031	X1	ET-347961	TR18
BR-T2069A360A	5	ED-348609	22	EI-373379	40	ET-347961	TR19
BR-T2069A360A	12	ED-348609	D9	EI-373379	IC1	ET-349061	82
BT-373394	9	ED-348624	18	EI-373383	47	ET-349061	TR101
BT-373394	T901A	ED-348624	D560	EI-373383	IC401	ET-349061	TR102
BT-373395	6	ED-373390	D506	EJ-336905	J601	ET-349061	TR103
BT-373395	T901B	ED-373390	D509	EJ-346076	J401	ET-349061	TR201
BT-373396	8	ED-624903	11	EJ-369995	J701	ET-349061	TR202
BT-373396	T901C	ED-624903	D101	EM-373136	49	ET-349061	TR203
BT-373398	7	ED-624903	D505	EM-373136	M201	ET-349061	TR301
BT-373398	T901D	ED-624903	D508	EO-323982	FL202	ET-349061	TR302
BZ-T2030A110C	3	ED-624903	D515	EO-357050	L301	ET-349061	TR303
EA-336012	13	ED-624903	D517	EO-368465	FL801	ET-349061	TR304
EC-320548	C801A	ED-624903	D559	EO-369999	L302	ET-349061	TR305
EC-338411	C801B	ED-624903	D601	EO-372996	L201	ET-349061	TR306
ED-306010	19	ED-624903	D602	EO-373384	T401	ET-349061	TR307
ED-306010	D557	ED-624903	D201	EO-373483	T402	ET-349061	TR501
ED-307572	10	ED-624903	D202	EQ-328529	50	ET-349061	TR504
ED-307572	D1	ED-624903	D204	EQ-328529	RL101	ET-349061	TR505
ED-307572	D2	ED-624903	D205	ER-200926	52	ET-349061	TR506
ED-307572	D3	EF-306949	29	ER-200926	FR501	ET-349061	TR507
ED-307572	D4	EF-306949	F3A	ER-200972	53	ET-352726	76
ED-307572	D5	EF-306949	F4A	ER-200972	FR401	ET-352726	TR502
ED-307572	D10	EF-309388	30	ER-358910	54	ET-352726	FR503
ED-307572	D12	EF-309388	F1A	ER-358910	IC705	ET-352726	TR508
ED-307572	D13	EF-309388	F2A	ER-358910	IC706	ET-352726	TR509
ED-307572	D14	EF-309391	32	ER-367642	51	ET-352726	TR510
ED-307572	D15	EF-309391	F1B	ER-367642	FR502	ET-353897	66
ED-307572	D16	EF-309391	F2B	ES-336990	55	ET-353897	TR3
ED-307572	D17	EF-309392	31	ES-336990	SW902	ET-353897	TR4
ED-307572	D18	EF-309392	F3B	ES-336990	SW903	ET-353897	TR5
ED-307572	D203	EF-309392	F4B	ES-336990	SW904	ET-353897	TR6
ED-309069	20	EF-355374	25	ES-359606	59	ET-353897	TR7
ED-309069	D558	EF-355374	F1D	ES-359606	SW802	ET-353897	TR8
ED-316389	13	EF-355374	F2D	ES-370965	60	ET-353897	TR9
ED-316389	D8	EF-358974	26	ES-370965	SW301	ET-353897	TR10
ED-324013	17	EF-358974	F3D	ES-371104	58	ET-353897	TR11
ED-324013	D561	EF-358974	F4D	ES-371104	SW801	ET-353897	TR12
ED-324014	14	EF-593706	27	ES-372912	56	ET-353897	TR13
ED-324014	D523	EF-593706	F1C	ES-372912	SW905	ET-353897	TR22
ED-324014	D552	EF-593706	F2C	ES-373380	67	ET-353897	TR23
ED-324014	D553	EF-601942	28	ES-373380	SW201	ET-353897	TR24
ED-330622	12	EF-601942	F3C	ES-373381	61	ET-353897	TR29
ED-330622	D501	EF-601942	F4C	ES-373381	TS201	ET-353897	TR32
ED-330622	D502	EH-368105	FL101	ES-373381	TS202	ET-353897	TR33
ED-330622	D503	EH-368105	FL203	ES-373381	TS203	ET-353897	TR34
ED-330622	D504	EH-368105	FL204	ES-373381	TS204	ET-353897	TR35
ED-330622	D511	EH-368105	FL205	ES-373381	TS205	ET-353897	TR36
ED-330622	D512	EH-372101	33	ES-373381	TS206	ET-353897	TR37
ED-330622	D513	EH-372101	FL201	ES-373381	TS207	ET-354083	84
ED-330622	D514	EI-201940	45	ES-373381	TS208	ET-354083	TR553
ED-330622	D521	EI-201940	IC1	ES-373381	TS209	ET-354083	TR554
ED-330622	D522	EI-201940	IC2	ES-373381	TS210	ET-354365	TR105
ED-330622	D541	EI-336992	46	ET-308141	79	ET-354365	TR106
ED-330622	D542	EI-336992	IC2	ET-308141	TR513	ET-354414	72
ED-330622	D543	EI-337013	37	ET-308141	TR554	ET-354414	TR1
ED-330622	D544	EI-337013	IC203	ET-308141	TR556	ET-354414	TR2
ED-330622	D554	EI-337568	34	ET-308141	TR14	ET-354414	TR27

Part No.	Ref. No.	Part No.	Ref. No.	Part No.	Ref. No.	Part No.	Ref. No.
ET-354414	TR28	SK-373236B	26-B	ZW-270088	30		
ET-354414	65	SK-373334A	16-B	ZW-305546	23		
ET-354414	TR411	SK-373334B	16-G	ZW-306464	47		
ET-354414	TR601	SK-373334B	17-B	ZW-329422	48		
ET-354414	TR602	SK-373335B	17-G	ZW-330073	7		
ET-354414	TR603	SK-373336A	27-B	ZW-336604	15		
ET-354414	TR20	SK-373336B	27-G	ZW-356657	24		
ET-354841	75	SK-373336C	28-B	ZW-373137	37		
ET-354841	TR552	SK-373336D	28-G	ZW-653163	5		
ET-357845	81	SK-373337A	29-B				
ET-357845	TR401	SK-373337B	29-G				
ET-357845	TR511	SK-373337C	30-B				
ET-357845	TR551	SK-373337D	30-G				
ET-360824	71	SK-373337E	31-B				
ET-360824	TR201	SK-373337F	31-G				
ET-360824	TR202	SK-373337G	32-B				
ET-360824	TR205	SK-373337H	32-G				
ET-360824	TR206	SK-373340A	18-B				
ET-365394	80	SK-373340B	16-G				
ET-365394	TR557	SK-336162B-A	49				
ET-370310	73	SP-336163B	52				
ET-370310	TR403	SP-373336A	9A				
ET-370310	TR404	SP-373336C	9B				
ET-370310	TR409	SP-373336D	9C				
ET-370310	TR410	SP-373336E	9D				
ET-372030	64	SP-373343A	22-B				
ET-372030	TR203	SP-373343B	22-G				
ET-372030	TR204	SZ-336166	54				
ET-373382	63	TC-336002	8				
ET-373382	TR31	TC-336004B	1				
ET-373391	70	TC-336016	15				
ET-373391	TR402	TC-336142	14				
ET-373392	69	TC-336146	19				
ET-373392	TR408	TC-336161	46				
ET-373485	68	TC-336605	91				
ET-373485	TR104	TC-336605	9				
EV-330531	VR1	ZG-312946	20				
EV-337052	VR901	ZG-321534	28				
EV-337996	VR402	ZG-336130B	35				
EV-337996	VR403	ZG-336140	10				
EV-345781	VR401	ZG-336141	13				
EV-356577	VR102	ZG-336157	41				
EV-356582	VR101	ZG-336160	46				
EV-357619	VR201	ZG-336615	53				
EV-357619	VR301	ZG-341970	4				
EV-373385	88	ZG-341972	39				
EV-373385	VR702	ZG-342575	27				
EV-373387	86	ZG-373323	33				
EV-373387	VR701	ZS-201275	6				
EV-373388	87	ZS-201275	51				
EV-373388	VR703	ZS-201508	34				
EV-373389	85	ZS-305827	21				
EV-373389	VR704	ZS-308931	42				
EV-464253	VR1	ZS-320906	7				
EV-464253	VR2	ZS-322560	20				
EW-363654	13B	ZS-336614	8				
EW-363667	13A	ZS-341959	24-G				
EW-363679	13C	ZS-341960	24-B				
EW-363679	13D	ZS-342001	5				
EZ-330775	14	ZS-342001	23-G				
HR-H2505A010A	89	ZS-345272	2				
HR-H2505A010A	H901	ZS-345272	10				
HZ-336129	36	ZS-345272	23-B				
MB-336021	16	ZS-350934	11				
ML-336156	43	ZS-351098	4				
ML-336159-A	44	ZS-352133	8				
MP-346329	90	ZS-361242	1				
MP-346329	22	ZS-391386	38				
MR-336019	17	ZS-432843	3				
MT-305793	16	ZS-464703	7				
MV-357208	31	ZS-477876	12				
MV-357208	40	ZS-479474	50				
MZ-336005	2	ZS-479474	9				
MZ-336006	67	ZS-50708	11				
MZ-353158	11	ZS-592378	16				
MZ-553948	6	ZS-606106	2				
SA-B369350A	3	ZW-231030	12				
SK-358066B	15-B	ZW-270088	5	</			

NOTE

ABBREVIATIONS FOR SERVICE MANUAL (CASSETTE)

Abbreviation	Explanation	Abbreviation	Explanation
AC	Alternating Current	MIN	MINute
A/D	Analog/Digital	MML	Maximum Modulation Level
AF	Auto Fader	MOL	Maximum Output Level
AMP	AMPlifier	MPX	Multi PleX
AR	Anti Recording	NC	Not Connected (No Connection)
AT BIAS	Auto Tuning BIAS	NFB	Negative Feed Back
ATT	ATTenuator	NORM	NORMal
BAL	BALance	NR	Noise Reduction
BEF	Band Elimination Filter	OSC	OSCillator (OSCillation)
BSS	Blank Search System	P	Pulse
CAP M	CAPsTan Motor	PB	Play Back
CH	CHannel	QMSS	Quick Memory Search System
COMP	COMParator	QR	Quick Reverse
CONT	CONTinuance	R CH	Right CHannel
CRLP	Computer Recording Level Process- ing	REC	RECOrd (RECOding)
CS	Chip Select	REV	REVERSE
D/A	Digital/Analog	ROT	ROtation
DC	Direct Current	REW	REWind
DET	DETECTOR	SEC	SECOnd
DISCRI	DISCRIminator	SELE	SELEctor
DUB	DUBbing	SENS	SENSitivity
EQ	EQualizer	SEPP	Single Ended Push Pull
FF(or F.FWD)	Fast Forward	SIG	SIGnal
FLD	FLuorescent Display	SPECT	SPECTrum
FREQ	FREQuency	STD	STanDard
FWD	ForWarD	SW	SWitch
GND	GrouND	SYSCON	SYStem COntrol
H	High	TP	Test Point
HPF	High Pass Filter	TRIG	TRIGa
IND	INDicator	VCA	Voltage Control Attenuator
IPLS	Instant Program Location System	VOL	VOLume
L	Low	VOLT	VOLTage
L CH	Left CHannel	VR	Variable Resistor
LED	Light Emitting Diode	X'TAL	cysTAL
MEMO	MEMOry	X1	Normal speed
MICOM	MicroCOMputer	X2	Dubble speed

AKAI

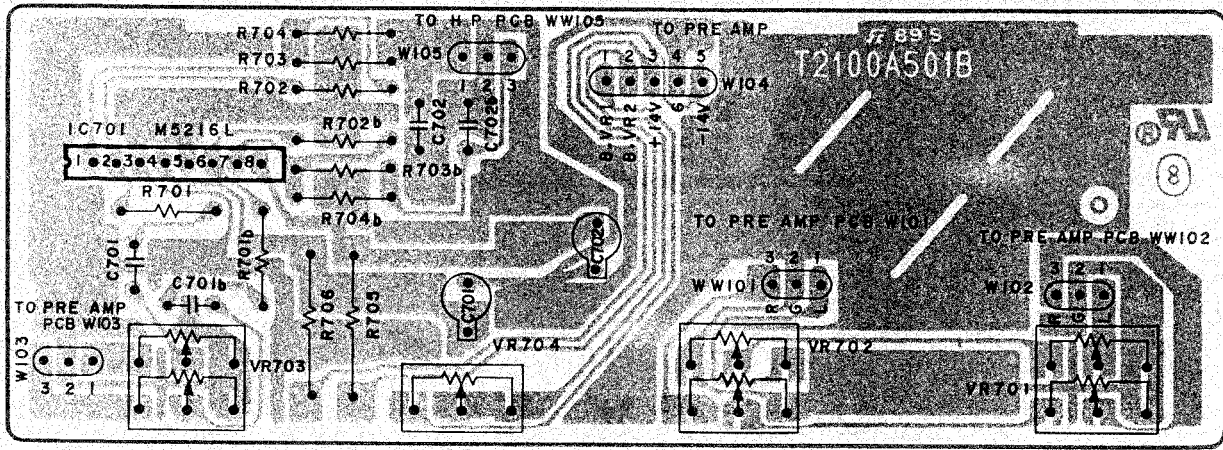
MODEL GX-52

SCHEMATIC DIAGRAM AND PC BOARDS

TABLE OF CONTENTS

1. OTHER PC BOARDS.....	2
2. CONNECTION DIAGRAM.....	3
3. SYSTEM CONTROL SCHEMATIC DIAGRAM.....	4
4. SYSTEM CONTROL (1) PC BOARD, SYSTEM CONTROL (2) PC BOARD, AND MOTOR PC BOARD...	5
5. PRE AMP SCHEMATIC DIAGRAM.....	6
6. PRE AMP PC BOARD.....	7
7. BLOCK DIAGRAM.....	8

HEAD PHONE AMP PCB T2100A501B

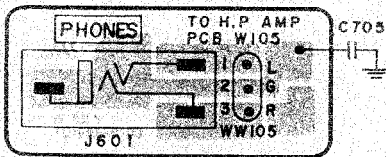


PHONES LEVEL

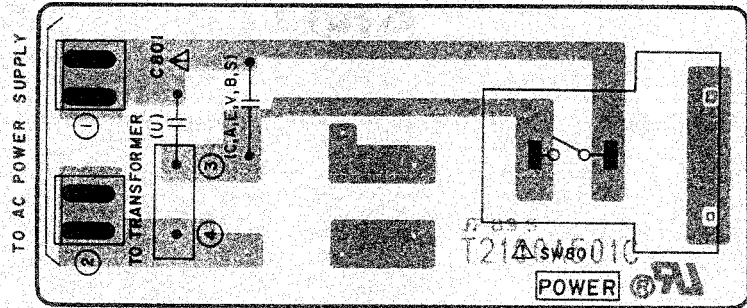
BIAS ADJUST

REC BALANCE

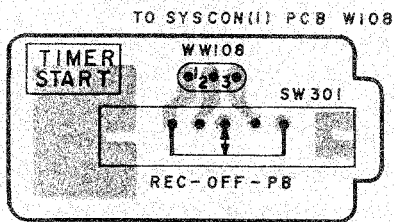
REC LEVEL



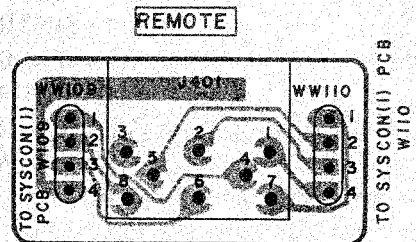
HEAD PHONE PCB T2100A501D



POWER TRANS PCB T2100A501C



TIMER SW PCB T2100A502C

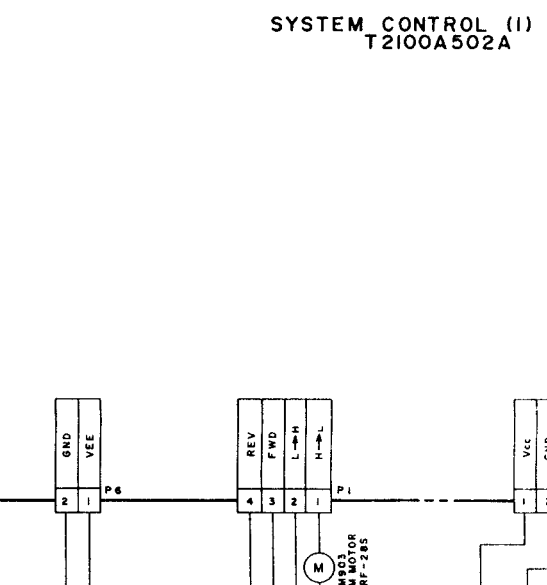
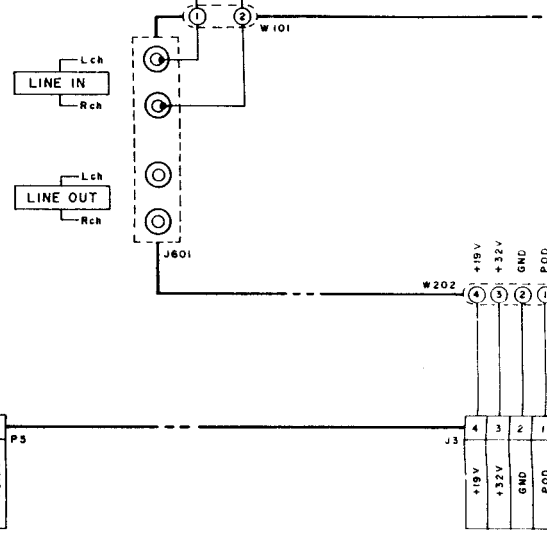
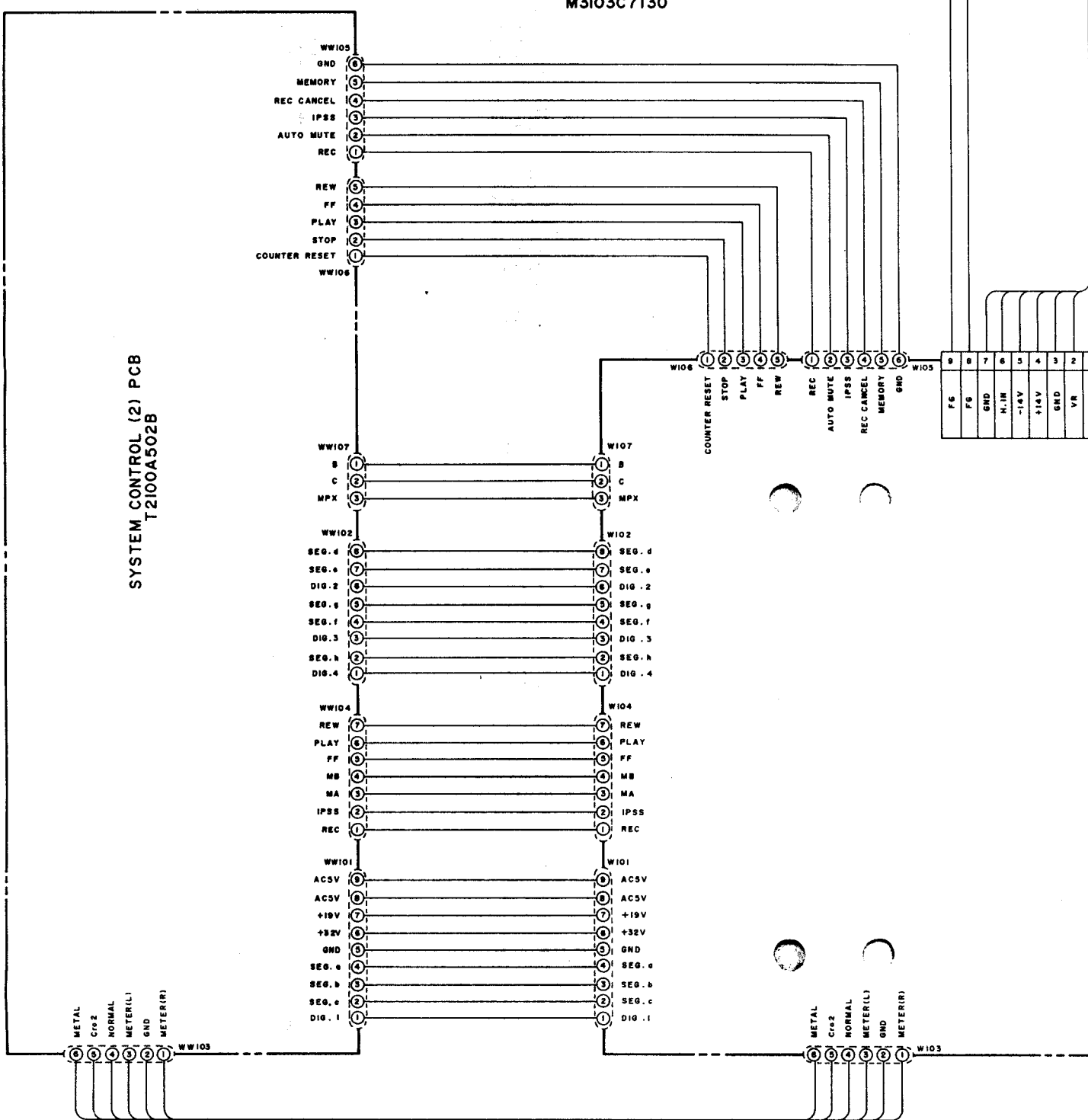
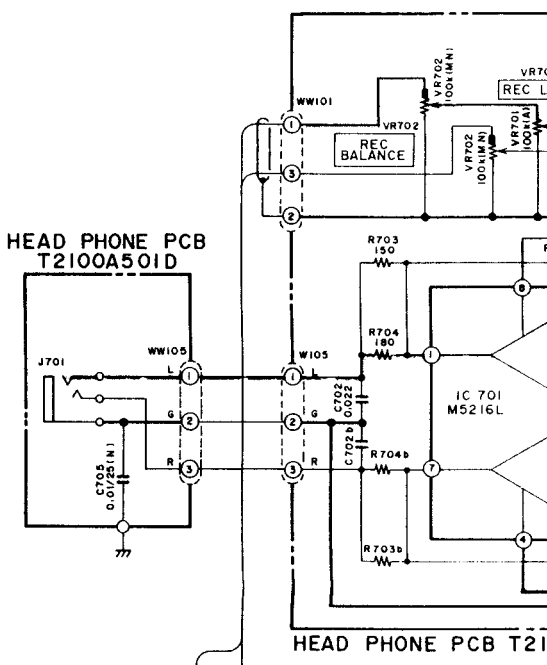
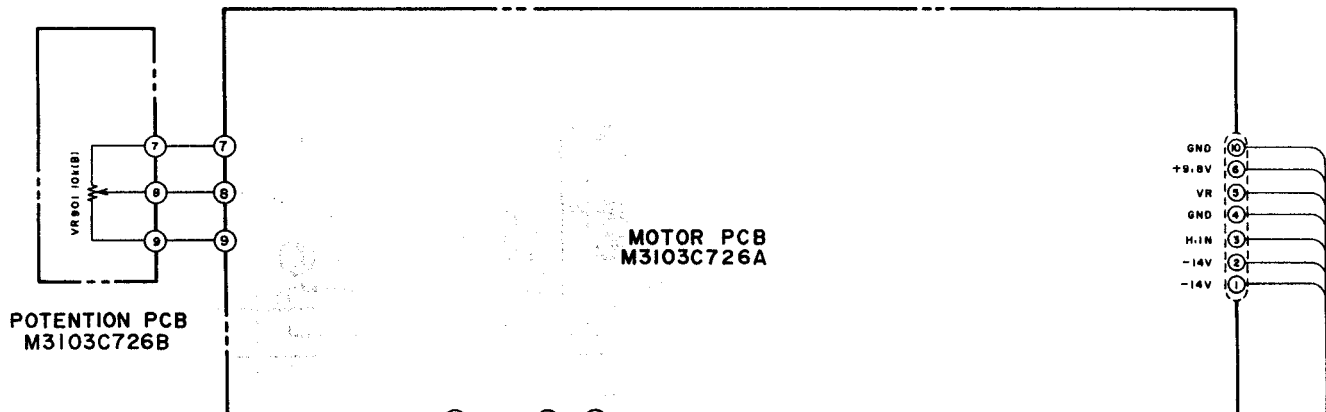


REMOCON JACK PCB T2100A502D

WARNING: ⚠ INDICATES SAFETY CRITICAL COMPONENTS FOR CONTINUED SAFETY. REPLACE SAFETY CRITICAL COMPONENTS ONLY WITH MANUFACTURER'S RECOMMENDED PARTS

AVERTISSEMENT: ⚠ IL INDIQUE LES COMPOSANTS CRITIQUES DE SÉCURITÉ. POUR MAINTENIR LE DEGRÉ DE SÉCURITÉ DE L'APPAREIL, NE REMPLACER QUE DES PIÈCES RECOMMANDÉES PAR LE FABRICANT

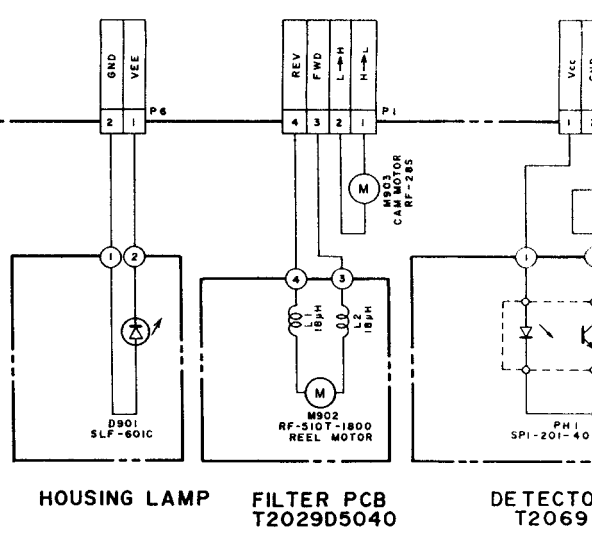
GX-52

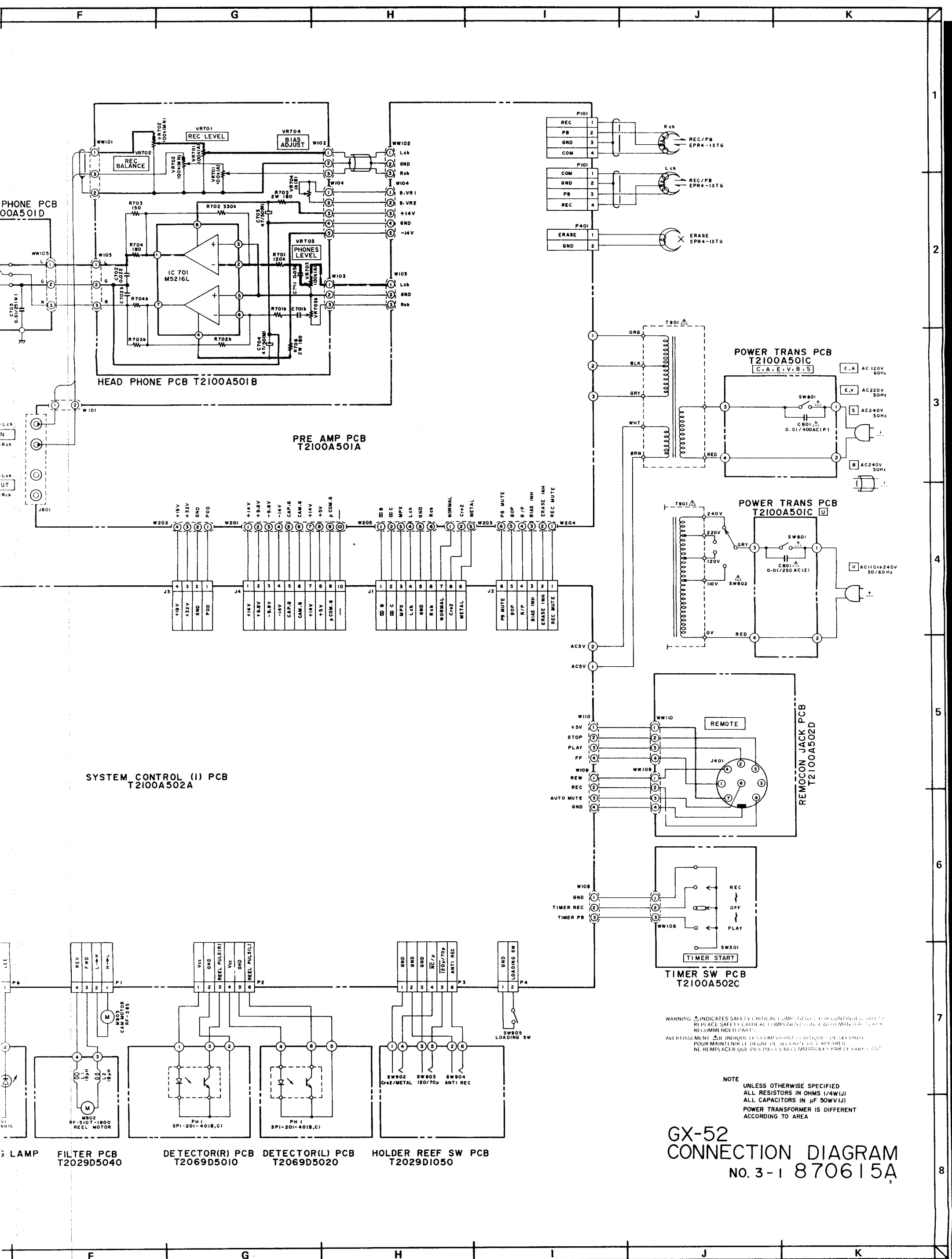


----- B (POWER SUPPLY) LINE

————— REC SIGNAL LINE

----- P.B SIGNAL LINE

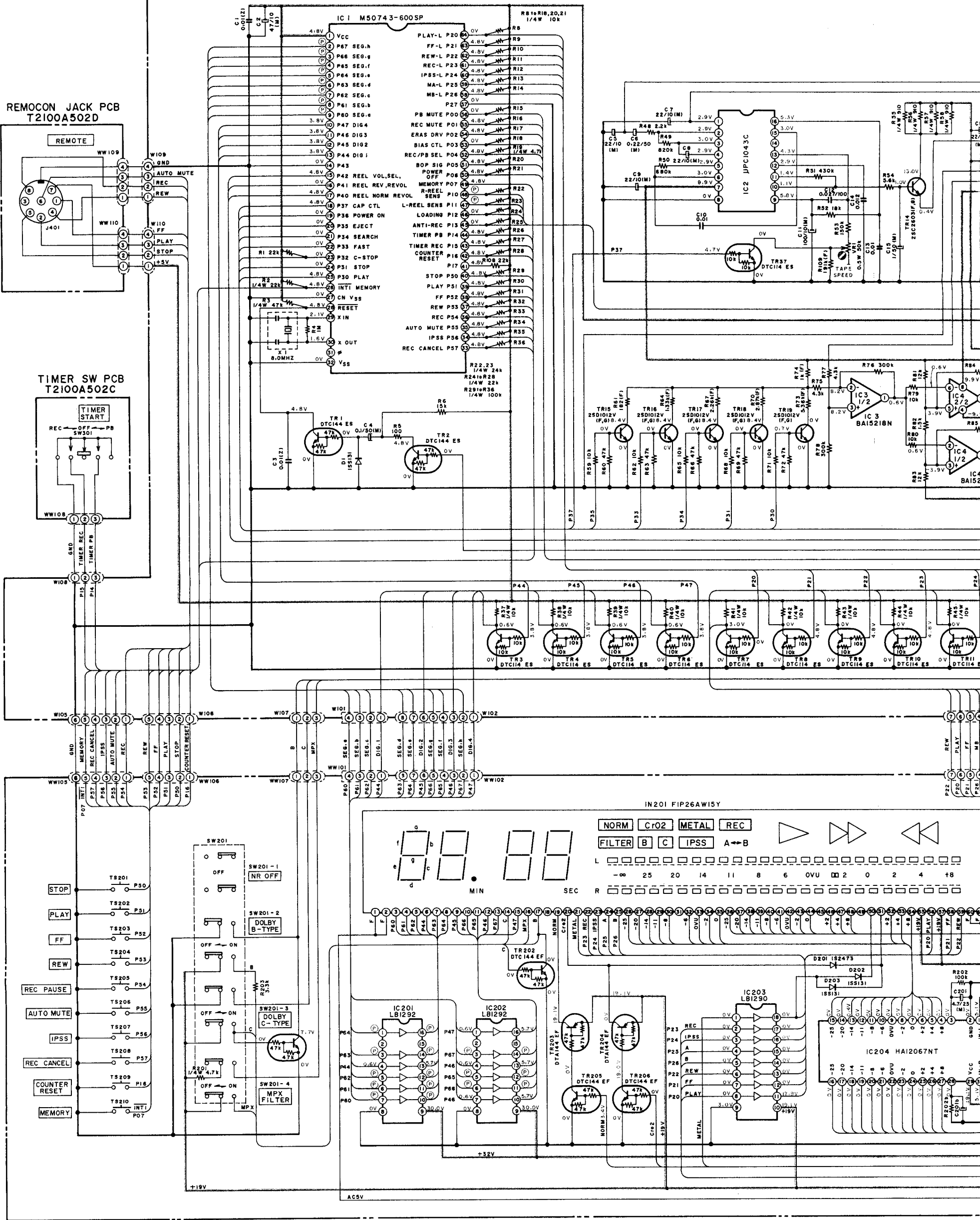




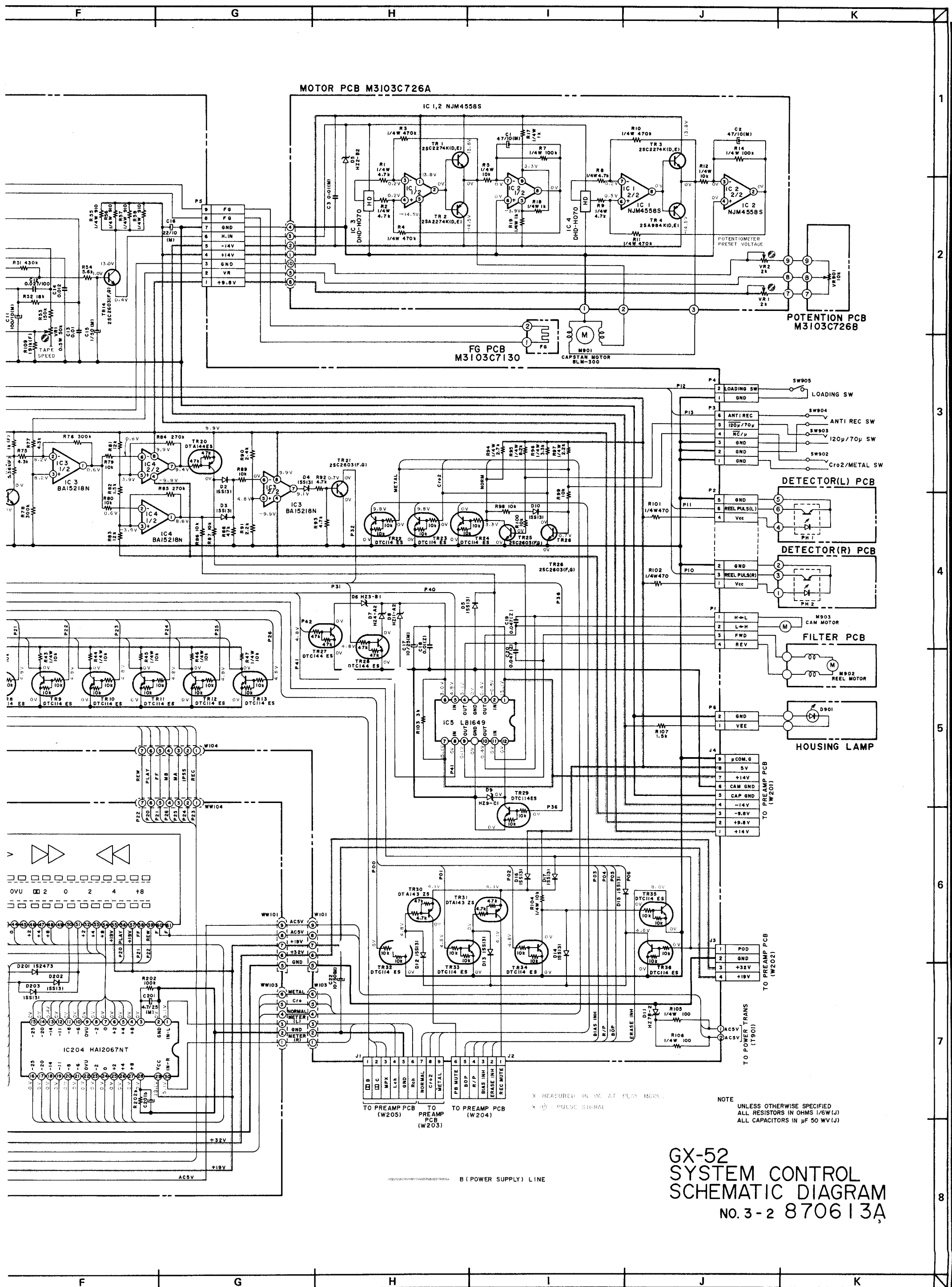
1
2
3
4
5
6
7
8

GX-52

SYSTEM CONTROL (1) PCB T2100A502A



SYSTEM CONTROL(2) PCB T2100A502B



MOTOR PCB M3103C726A

IC 1, 2 NJM4558S

FG PCB M3103C7130

POTENTION PCB M3103C726B

DETECTOR(L) PCB

DETECTOR(R) PCB

FILTER PCB

HOUSING LAMP

TO PREAMP PCB (W205)
TO PREAMP PCB (W204)
TO PREAMP PCB (W203)

* MEASURED IN DC AT PLSY MODUL.
* (P) : PULSE SIGNAL

NOTE
UNLESS OTHERWISE SPECIFIED
ALL RESISTORS IN OHMS 1/4W (J)
ALL CAPACITORS IN µF 50 WV (J)

GX-52
SYSTEM CONTROL
SCHEMATIC DIAGRAM
NO. 3-2 870613A

B (POWER SUPPLY) LINE

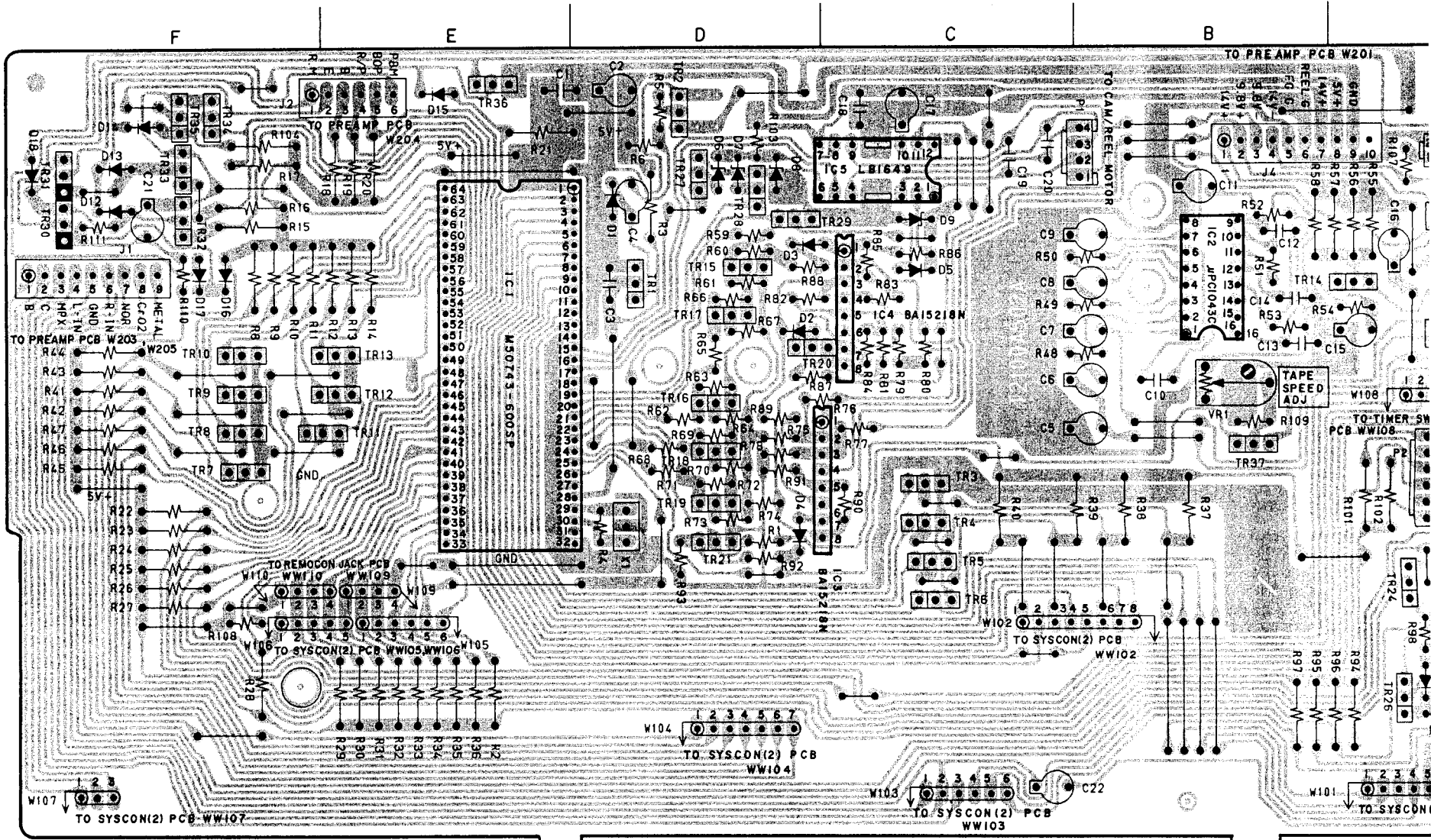
LOCATION OF COMPONENTS

IC
 IC1 E2
 IC2 B1
 IC3 D2
 IC4 C2
 IC5 C1

TRANSISTOR
 TR1 D2
 TR2 D1
 TR3 C2
 TR4 C2
 TR5 C3
 TR6 C3
 TR7 F2
 TR8 F2
 TR9 F2
 TR10 F2
 TR11 E2
 TR12 E2
 TR13 E2
 TR14 A1
 TR15 D1
 TR16 D2
 TR17 D2
 TR18 D2
 TR19 D2
 TR20 D2
 TR21 D2
 TR22 A3
 TR23 A3
 TR24 A3
 TR25 A3
 TR26 A3
 TR27 D1
 TR28 D1
 TR29 D1
 TR30 F1
 TR31 F1
 TR32 F1
 TR33 F1
 TR34 F1
 TR35 F1
 TR36 F1
 TR37 B2

CONNECTOR
 W101 A3
 W102 B3
 W103 C3
 W104 D3
 W105 E3
 W106 F3
 W107 F3
 W108 A2
 W109 E3
 W110 F3
 J1 F1
 J2 F2

2SC2603 . . . TR14, TR21, TR25,
 TR26
 2SD1012 . . . TR15, TR16, TR17,
 TR18, TR19
 DTC144 . . . TR1, TR2, TR20,
 TR27, TR28
 DTC114 . . . TR3, TR4, TR5,
 TR6, TR7, TR8,
 TR9, TR10, TR11,
 TR12, TR13, TR22,
 TR23, TR24, TR29,
 TR32, TR33, TR34,
 TR35, TR36, TR37
 DTA143 . . . TR30, TR31

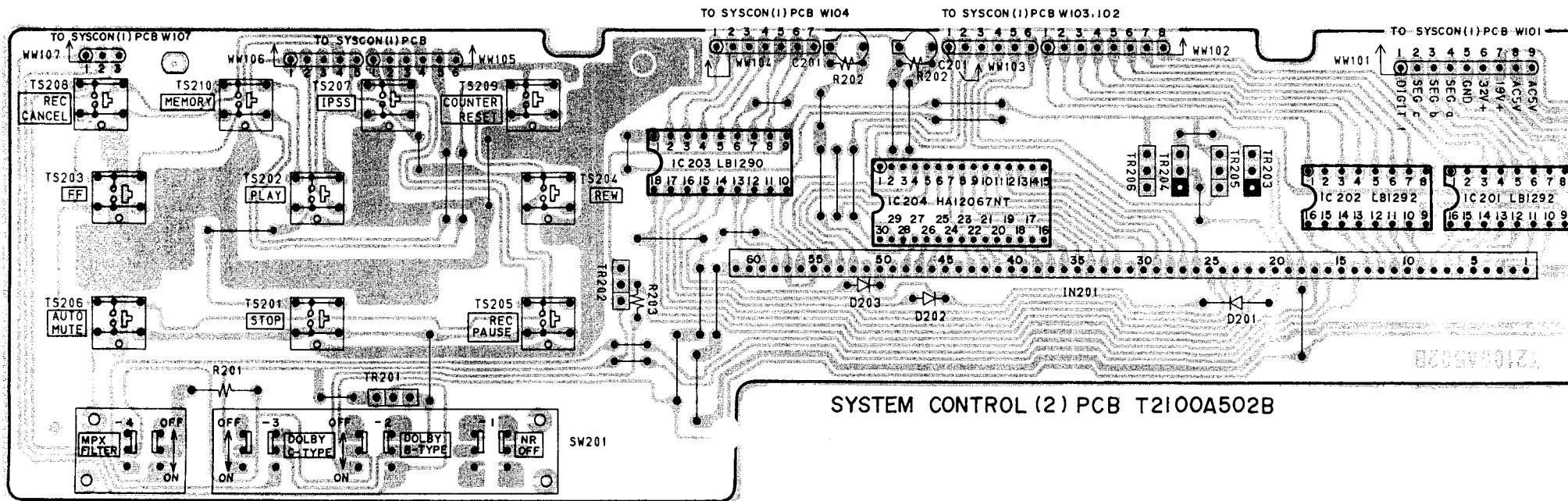


SYSTEM CONTROL (1) PCB T2100A502A

= NPN TRANSISTOR
 = PNP TRANSISTOR



2SC2603
 2SD1012
 DTC144
 DTC114
 DTA143



SYSTEM CONTROL (2) PCB T2100A502B

LOCATION OF COMPONENTS

ICs
 IC201 A1
 IC202 A1
 IC203 D1
 IC204 C1

TRANSISTORS
 TR201 E2
 TR202 D2
 TR203 B1
 TR204 B1
 TR205 B1
 TR206 B1

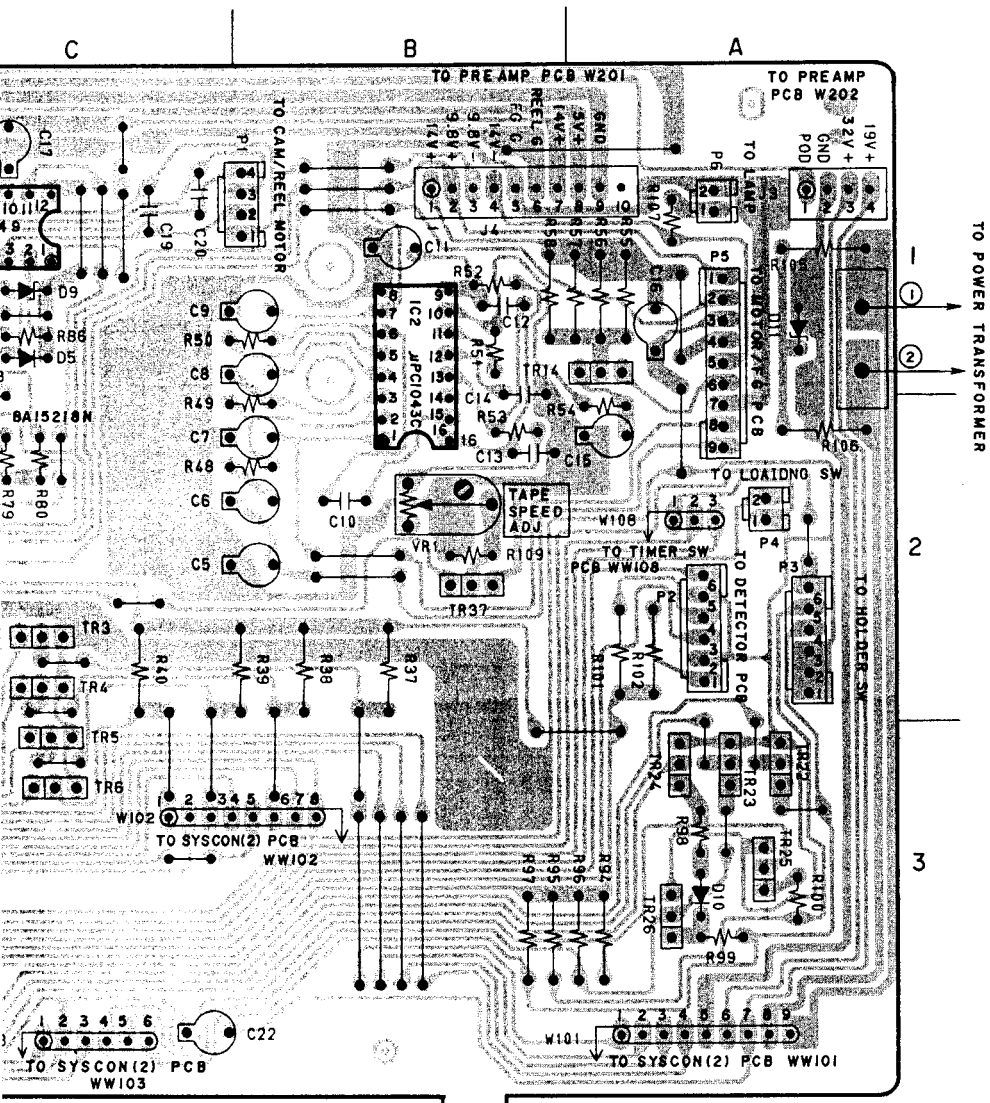
CONNECTORS
 WW101 A1
 WW102 B1
 WW103 C1
 WW104 D1
 WW105 E1
 WW106 F1
 WW107 F1

DTC144 TR201, TR202, TR205
 TR206
 DTA144 TR203, TR204

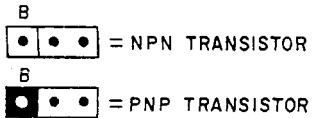
= NPN TRANSISTOR
 = PNP TRANSISTOR



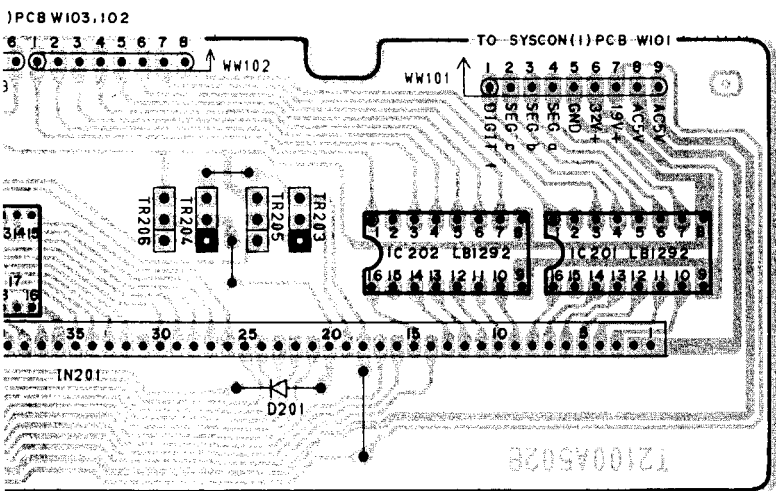
DTC144
 DTA144



B T2100A502A

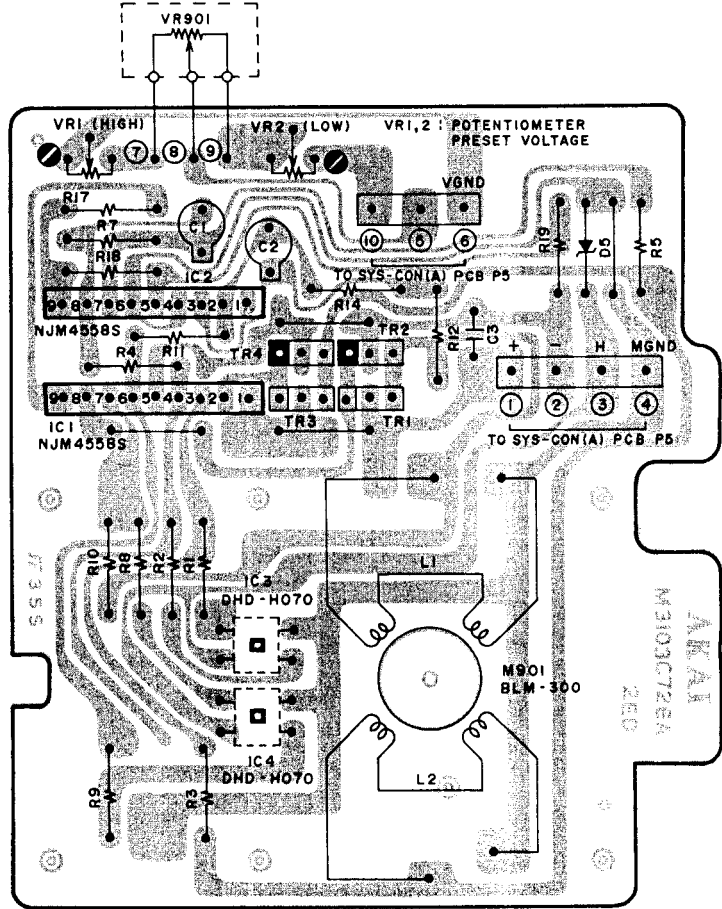


- 25C2603
- 25D1012
- DTC144
- DTC114
- DTA143

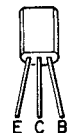
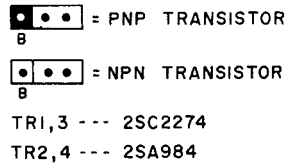


(2) PCB T2100A502B

POTENTIAL PCB M3103C726B



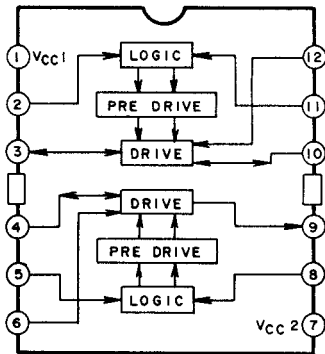
MOTOR PCB M3103C726A



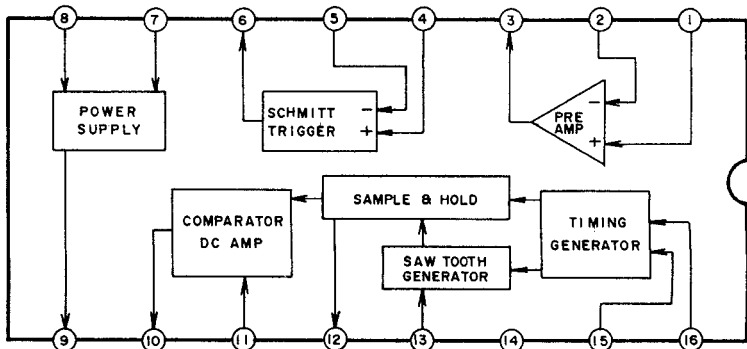
- 25C2274
- 25A984

- TR1,3 --- 25C2274
- TR2,4 --- 25A984

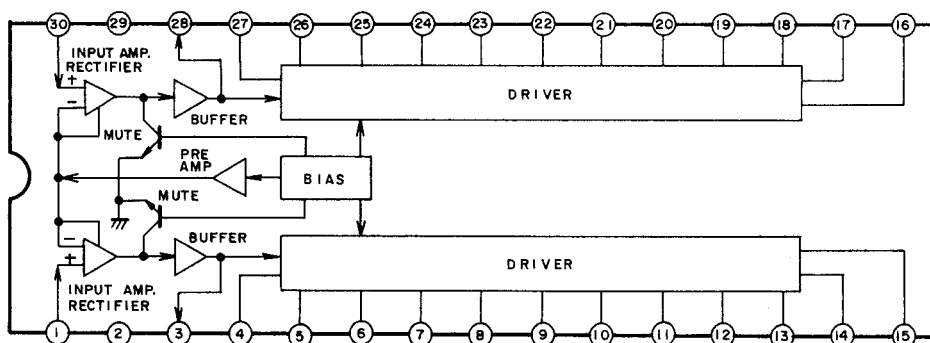
LB1649 (SYS-CON)



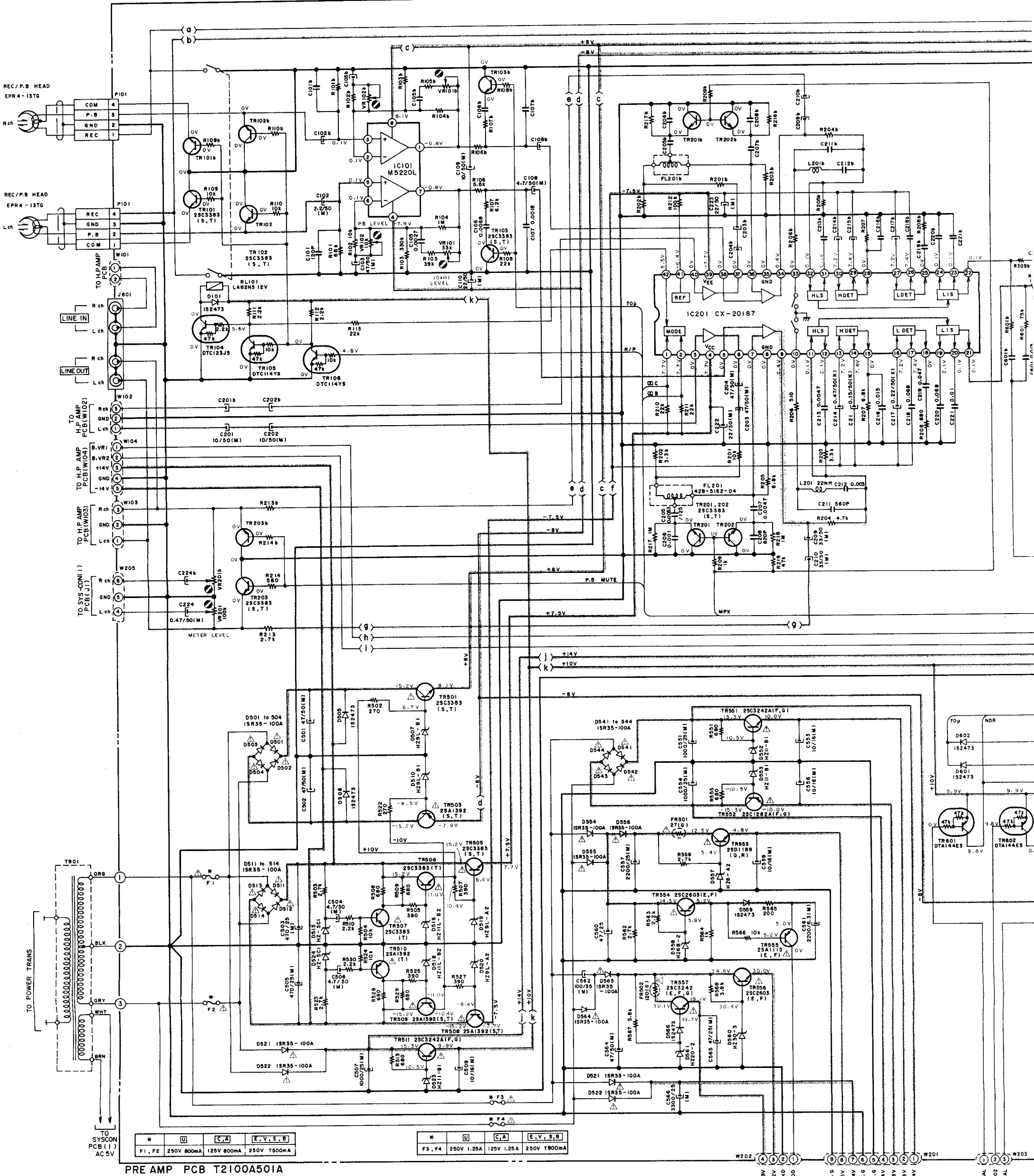
μPC1043C (SYS-CON)



HA12067NT (SYS-CON)



GX-52



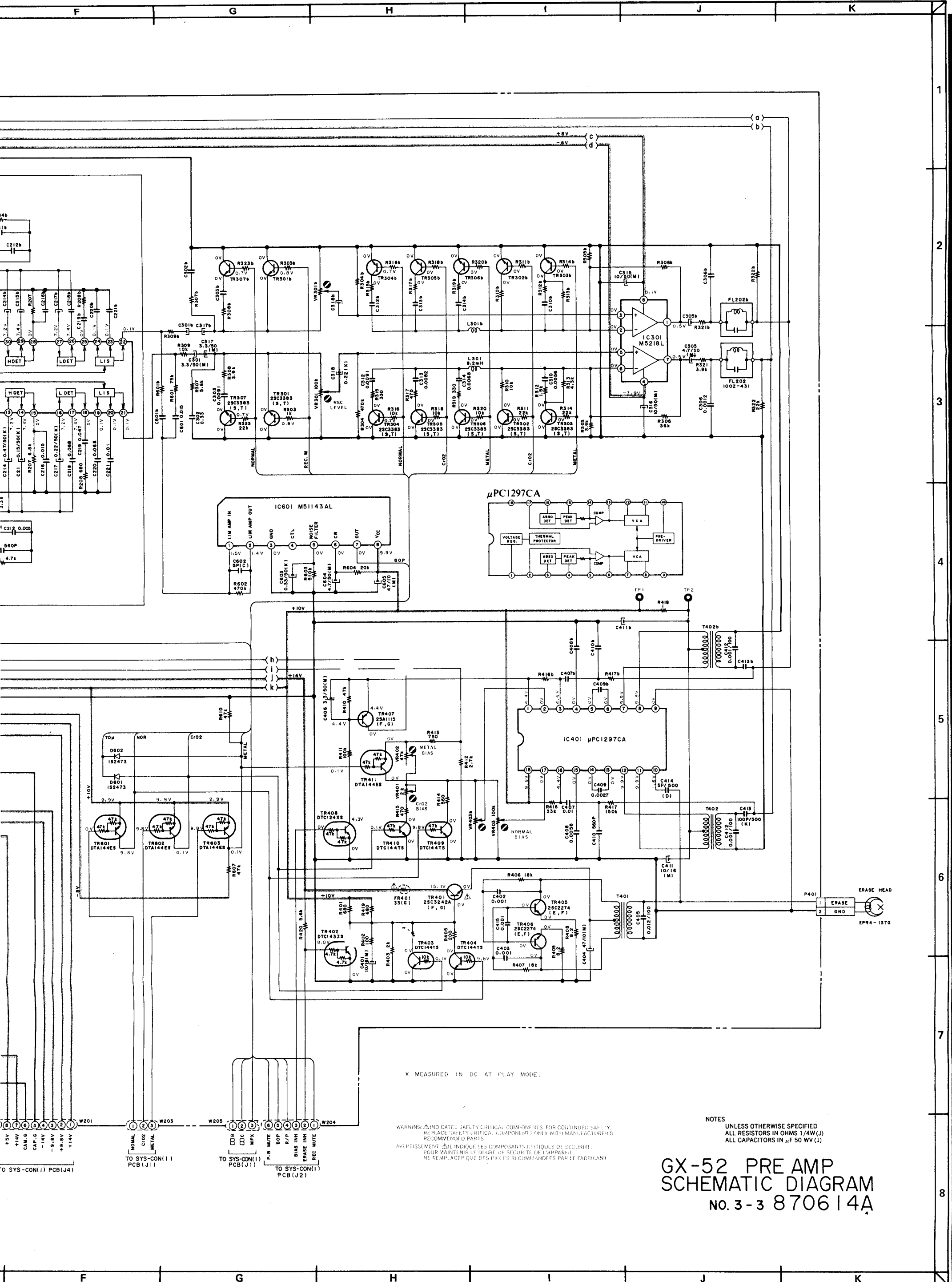
PRE AMP PCB T2100A501A

* F1, F2	U	C, A	E, V, S, B
250V 800mA	125V 800mA	250V T500MA	

* F3, F4	U	C, A	E, V, S, B
250V 1.25A	125V 1.25A	250V T800MA	

B (POWER SUPPLY) LINE
 REC SIGNAL LINE
 P.B SIGNAL LINE

TO SYS-CON(1) PCB(J3)
 TO SYS-CON(1) PCB(J4)
 TO SYS-CON(1) PCB(J1)



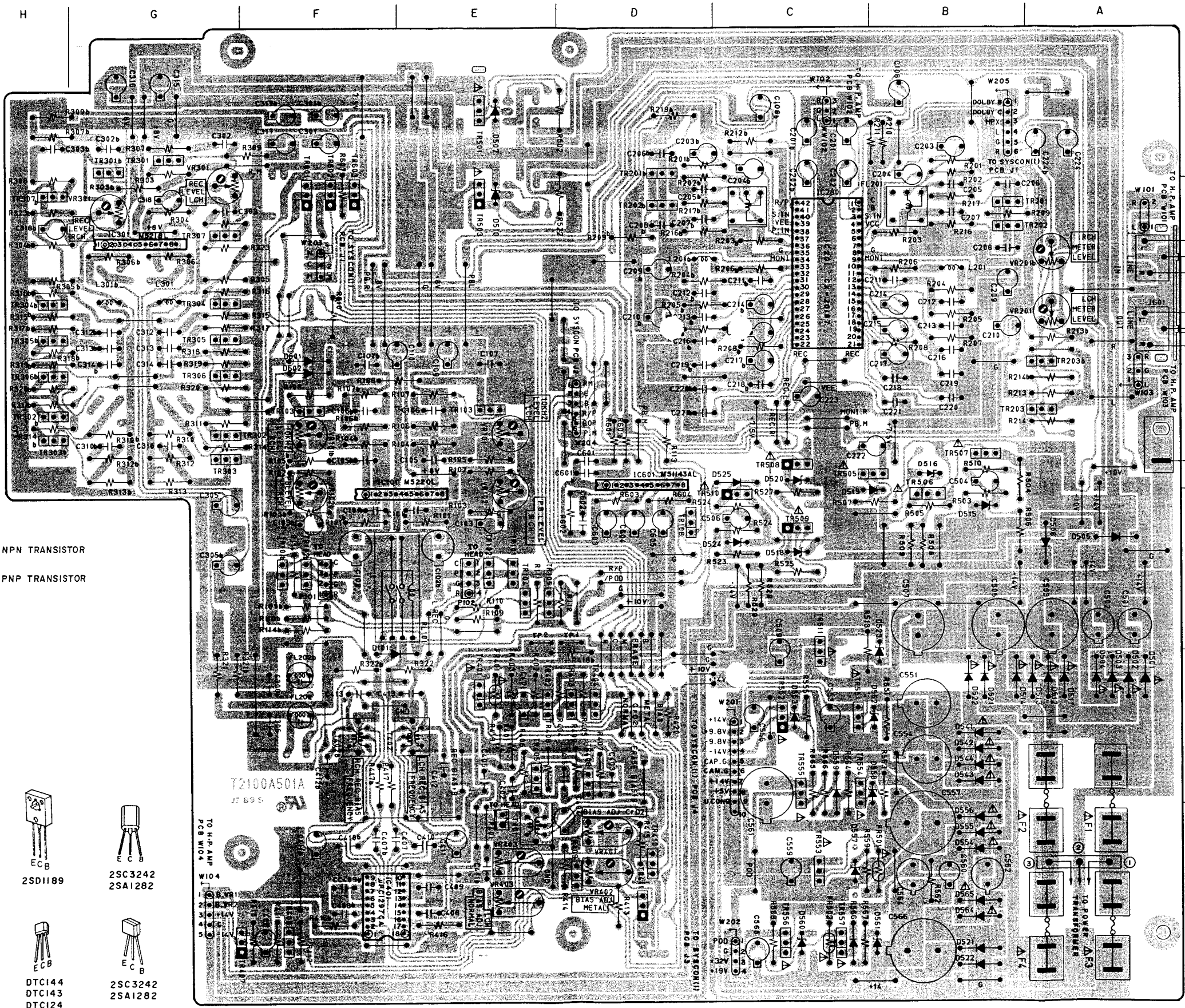
* MEASURED IN DC AT PLAY MODE.

WARNING: Δ INDICATES SAFETY CRITICAL COMPONENTS FOR CONTINUED SAFETY. REPLACE SAFETY CRITICAL COMPONENTS ONLY WITH MANUFACTURER'S RECOMMENDED PARTS.

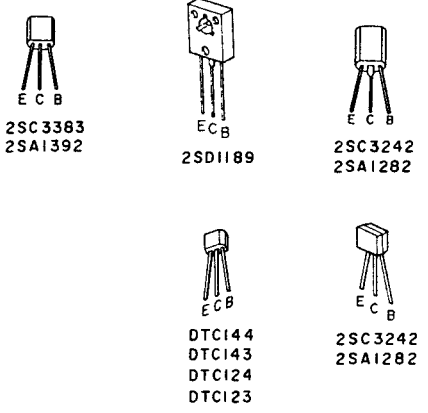
AVERTISSEMENT: Δ IL INDIQUE LES COMPOSANTS CRITIQUES DE SECURITE. POUR MAINTENIR LE Degré DE SECURITE DE L'APPAREIL, NE REMPLACER QUE DES PIÉCES RECOMMANDÉES PAR LE FABRICANT.

NOTES
UNLESS OTHERWISE SPECIFIED
ALL RESISTORS IN OHMS 1/4W(J)
ALL CAPACITORS IN μF 50 WV (J)

**GX-52 PRE AMP
SCHEMATIC DIAGRAM
No. 3-3 870614A**



= NPN TRANSISTOR
 = PNP TRANSISTOR

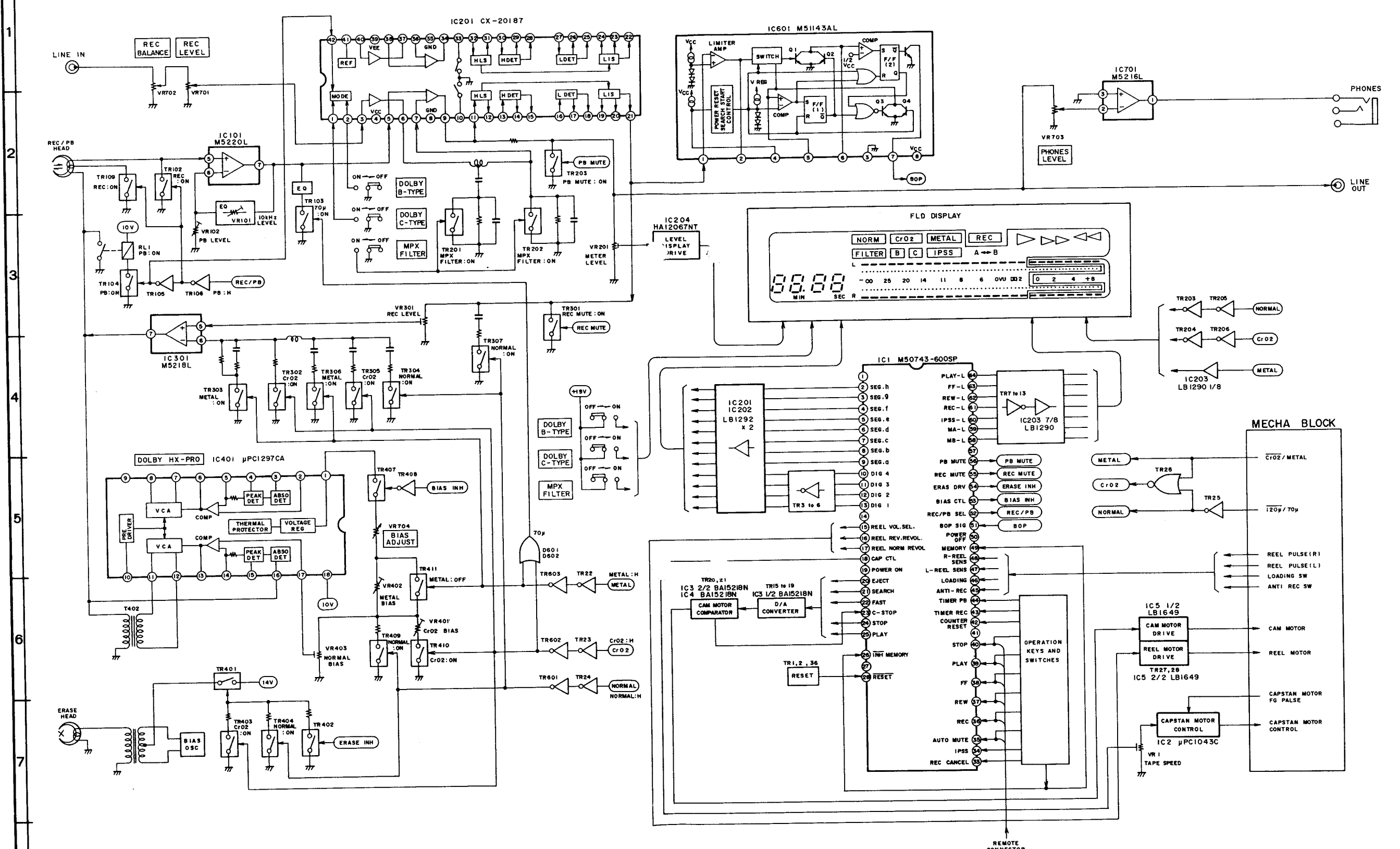


LOCATION OF COMPONENTS

IC	IC101	E4
IC	IC201	C2
IC	IC301	G2
IC	IC401	E6
IC	IC601	D3
TRANSISTOR			
TR	TR101	E4
TR	TR102	F4
TR	TR103	E3
TR	TR104	F3
TR	TR105	E4
TR	TR106	D4
TR	TR201	B2
TR	TR202	D1
TR	TR202	B2
TR	TR203	A3
TR	TR203	A3
TR	TR301	G1
TR	TR301	G1
TR	TR302	H3
TR	TR303	G3
TR	TR303	H3
TR	TR304	C2
TR	TR304	H2
TR	TR305	G3
TR	TR305	H3
TR	TR306	H3
TR	TR306	H3
TR	TR307	C2
TR	TR307	H2
TR	TR401	E5
TR	TR402	E5
TR	TR403	D5
TR	TR404	D5
TR	TR405	E5
TR	TR406	D5
TR	TR407	G6
TR	TR408	F6
TR	TR409	D6
TR	TR410	D6
TR	TR411	D6
TR	TR501	E1
TR	TR502	E1
TR	TR503	E2
TR	TR504	E2
TR	TR505	C3
TR	TR506	B3
TR	TR507	B3
TR	TR508	C3
TR	TR509	C4
TR	TR510	C4
TR	TR511	C5
TR	TR551	C5
TR	TR552	C5
TR	TR553	C6
TR	TR554	C5
TR	TR555	C5
TR	TR556	C6
TR	TR557	C6
TR	TR601	F2
TR	TR602	F2
TR	TR603	F2
CONNECTOR			
W	W101	A2
W	W102	C1
W	W103	A3
W	W104	G6
W	W201	C5
W	W202	C6
W	W203	F2
W	W204	D3
W	W205	B1
P	P101	F4
P	P102	E4
2SC3383			
TR	TR101, TR102, TR103, TR201, TR202, TR203, TR301, TR302, TR303, TR304, TR305, TR306, TR307, TR501, TR504, TR505, TR506, TR507, TR557		
2SC3242			
TR	TR401, TR511, TR551, TR557		
2SC2274			
TR	TR405, TR406		
2SC2603			
TR	TR554, TR556		
2SA1392			
TR	TR502, TR503, TR508, TR509, TR510		
2SA1115			
TR	TR407, TR555		
2SA1282			
TR	TR552		
2SD1189			
TR	TR553		
DTC144			
TR	TR403, TR404, TR409, TR410, TR412		
DTC143			
TR	TR410		
DTC124			
TR	TR408		
DTC123			
TR	TR104		
DTC114			
TR	TR105, TR106		
DTA144			
TR	TR411, TR601, TR602, TR603		

PRE AMP PCB T2100A501A

WARNING: Δ INDICATES SAFETY CRITICAL COMPONENTS. FOR CONTINUED SAFETY, REPLACE SAFETY CRITICAL COMPONENTS ONLY WITH MANUFACTURER'S RECOMMENDED PARTS.
 AVERTISSEMENT: Δ IL INDIQUE LES COMPOSANTS CRITIQUES DE SÉCURITÉ. POUR MAINTENIR LE DEGRÉ DE SÉCURITÉ DE L'APPAREIL, NE REMPLACER QUE DES PIÈCES RECOMMANDÉES PAR LE FABRICANT.



GX-52
 BLOCK DIAGRAM
 No. 870615A