

Service Manual



ORDER NO.
ARP2681

COMPACT DISC PLAYER

PD-202

PD-102

PD-202 AND PD-102 HAVE THE FOLLOWING:

Type	Model		Power Requirement	Remarks
	PD-202	PD-102		
KU	○	○	AC120V only	
KUXJ	○	○	AC120V only	
KUXJS	○	○	AC120V only	
KC	○	○	AC120V only	
KCXJ	○	○	AC120V only	
WEMXJS	○	○	AC220 - 240V	
WBXJS	○	○	AC220 - 240V	
WPW	○	○	AC220 - 240V	
RD	○	○	AC110 - 127V, 220 - 240V (switchable)	
WL	○	○	AC220 - 240V	

- This manual is applicable to the following: PD-202/KU, KUXJ, KUXJS, KC, KCXJ, WEMXJS, WBXJS, WPW and RD; PD-102/KU, KUXJ, KUXJS, KC, KCXJ, WEMXJS, WBXJS, WPW, RD and WL.
- For the following: PD-202/KUXJ, KUXJS, KC, KCXJ, WEMXJS, WBXJS, WPW and RD; PD-102/KU, KUXJ, KUXJS, KC, KCXJ, WEMXJS, WBXJS, WPW, RD and WL, refer to page 39.

CONTENTS

1. SAFETY INFORMATION	2	7. IC INFORMATION	38
2. DISASSEMBLY	4	8. FOR PD-202/KUXJ, KUXJS, KC, KCXJ, WEMXJS, WBXJS, WPW, RD AND WL TYPES.....	39
3. EXPLODED VIEWS, PACKING AND PARTS LIST.....	6	9. FOR PD-102/KU, KUXJ, KUXJS, KC, KCXJ, WEMXJS, WBXJS, WPW, RD AND WL TYPES.....	40
4. PCB CONNECTION AND SCHEMATIC DIAGRAM.....	13	10. PANEL FACILITIES.....	43
5. PCB PARTS LIST	26	11. SPECIFICATIONS	43
6. ADJUSTMENTS	28		

PIONEER ELECTRONIC CORPORATION 4-1, Meguro 1-Chome, Meguro-ku, Tokyo 153, Japan
PIONEER ELECTRONICS SERVICE INC. P.O. Box 1760, Long Beach, California 90801 U.S.A.
PIONEER ELECTRONICS OF CANADA, INC. 300 Allstate Parkway Markham, Ontario L3R 0P2 Canada
PIONEER ELECTRONIC [EUROPE] N.V. Haven 1087 Keetberglaan 1, 9120 Melsele, Belgium
PIONEER ELECTRONICS AUSTRALIA PTY. LTD. 178-184 Boundary Road, Braeside, Victoria 3195, Australia TEL: [03] 580-9911
 © PIONEER ELECTRONIC CORPORATION 1993

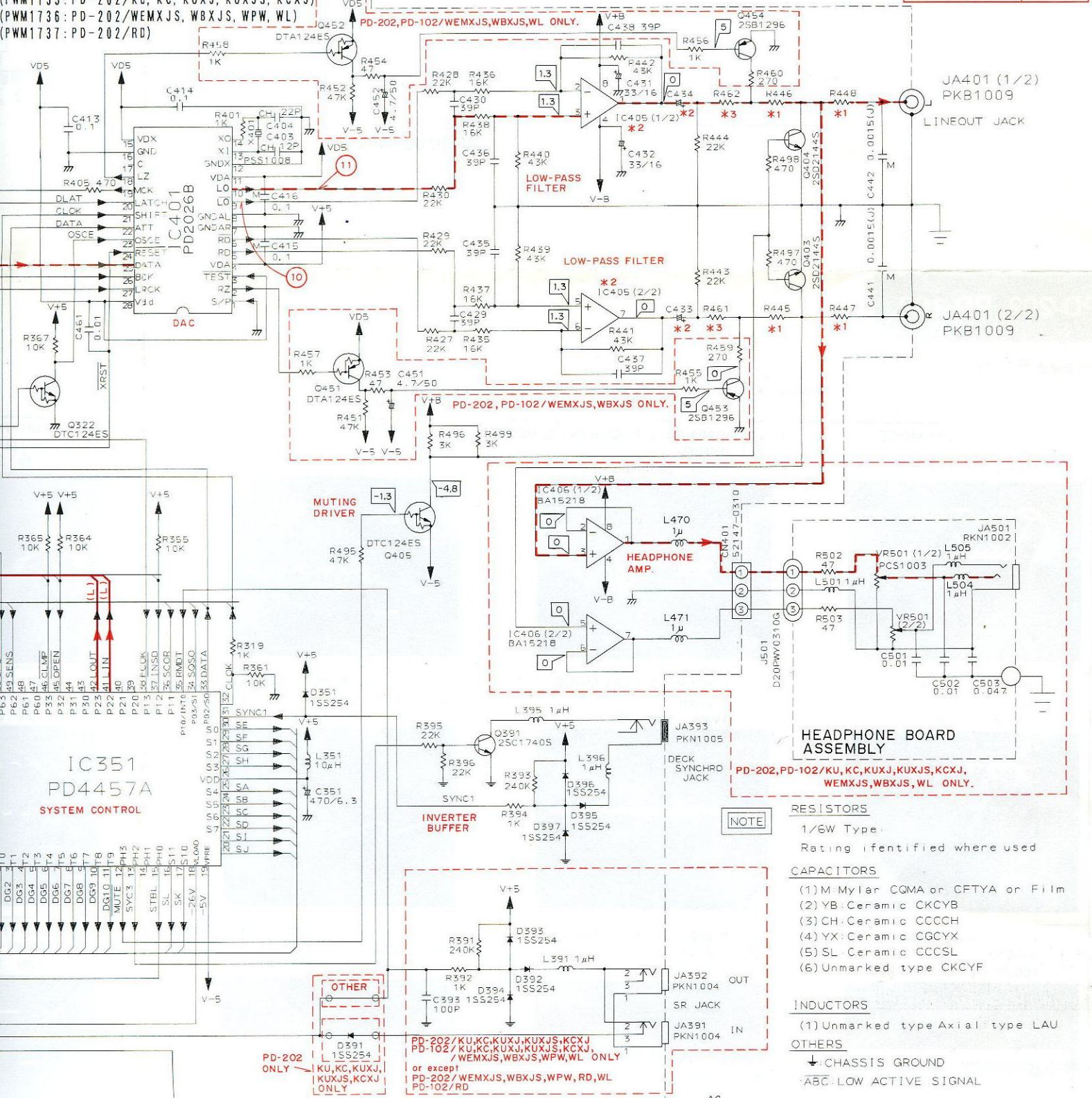
MOTHER BOARD ASSEMBLY
 (PWW1730: PD-102/KU, KC, KUXJ, KUXJS, KCXJ)
 (PWW1731: PD-102/WEMXJS, WBXJS)
 (PWW1732: PD-102/WPW)
 (PWW1733: PD-102/RD)
 (PWW1734: PD-102/WL)
 (PWW1735: PD-202/KU, KC, KUXJ, KUXJS, KCXJ)
 (PWW1736: PD-202/WEMXJS, WBXJS, WPW, WL)
 (PWW1737: PD-202/RD)

* 1	R445, R446	R447, R448
PD-102/WPW, RD	1K Ω	JUMPER
PD-102/KU, KC, KUXJ, KCXJ, KUXJS	470 Ω	470 Ω
OTHERS	270 Ω	470 Ω

* 2	C433, C434	IC405
PD-102	22/25	NJM4558D - D
PD-202	PCH1107	NJM4565D - D

* 3	R461, R462
PD-102/KU, KC, KUXJ, KUXJS, KCXJ, WPW, RD	JUMPER
OTHERS	270 Ω

* 4	C302
PD-102	470/6.3
PD-202/KU, KC, KUXJ, KUXJS, KCXJ	470/6.3
OTHERS	1000/6.3



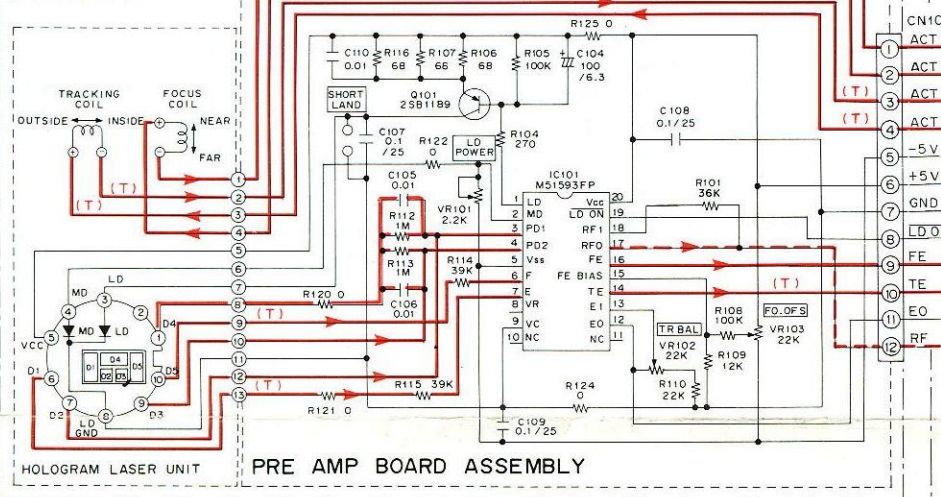
- RESISTORS**
 1/6W Type
 Rating identified where used
- CAPACITORS**
- (1) M: Mylar CQMA or CFTYA or Film
 - (2) YB: Ceramic CKCYB
 - (3) CH: Ceramic CCCCH
 - (4) YX: Ceramic CGCYX
 - (5) SL: Ceramic CCCSL
 - (6) Unmarked type CKCYF
- INDUCTORS**
 (1) Unmarked type Axial type LAU
- OTHERS**
 ↓ CHASSIS GROUND
 ABC: LOW ACTIVE SIGNAL

OTHER
 D391 1SS254
 PD-202 ONLY
 KU, KC, KUXJ, KUXJS, KCXJ ONLY

INVERTER BUFFER
 PD-202/KU, KC, KUXJ, KUXJS, KCXJ, PD-102/KU, KC, KUXJ, KUXJS, KCXJ, /WEMXJS, WBXJS, WPW, WL ONLY
 or except
 PD-202/WEMXJS, WBXJS, WPW, RD, WL PD-102/RD

SERVO MECHANISM ASSEMBLY

PICKUP ASSEMBLY (PEA1179)



IC301 (CXD2500BQ)

Pin No.	Voltage [V]	Pin No.	Voltage [V]	Pin No.	Voltage [V]	Pin No.	Voltage [V]
1	5.0	21	0	41	NC	61	NC
2	NC	22	2.5	42	5.0	62	NC
3	5.0	23	5.0	43	NC	63	0
4	2.6	24	2.5	44	NC	64	NC
5	NC	25	NC	45	NC	65	0
6	5.0	26	0	46	4.4	66	3.3 to 4.4
7	NC	27	2.5	47	0	67	5.0
8	NC	28	NC	48	0	68	0
9	0	29	0	49	0 to 0.3	69	2.1 to 3.0
10	0	30	NC	50	NC	70	5.0
11	NC	31	1.3 to 2.2	51	NC	71	5.0
12	0	32	2.5	52	0	72	5.0
13	NC	33	5.0	53	2.5	73	5.0
14	NC	34	2.5	54	NC	74	5.0
15	NC	35	NC	55	0	75	5.0
16	NC	36	NC	56	NC	76	0
17	0	37	NC	57	NC	77	5.0
18	2.5	38	NC	58	NC	78	5.0
19	2.4	39	NC	59	0	79	5.0
20	2.4	40	NC	60	NC	80	0

IC151 (CXA13720)

Pin No.	Voltage [V]	Pin No.	Voltage [V]
1	0	25	5.0
2	0	26	0
3	0	27	5.0
4	0	28	0
5	-0.3	29	0
6	0	30	-5.0
7	0.2	31	2.5
8	0	32	2.5
9	0	33	5.0

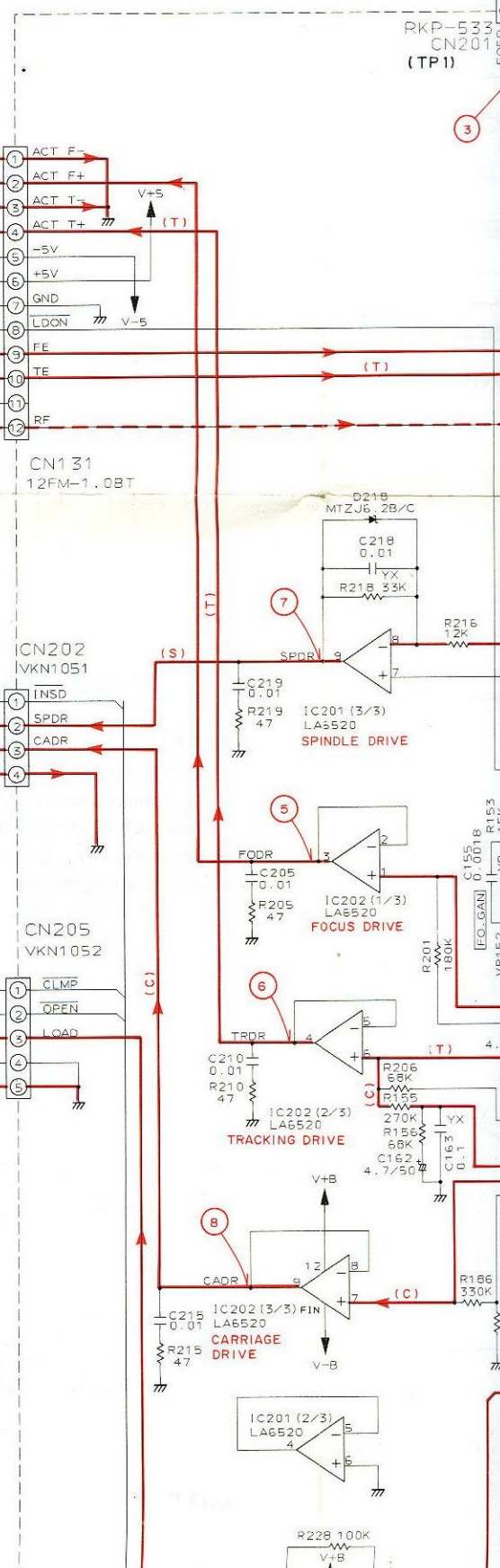
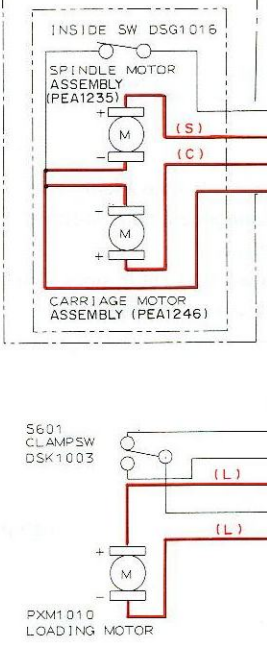
IC401 (PD2026B)

Pin No.	Voltage [V]	Pin No.	Voltage [V]
1	0	15	5.0
2	0	16	0
3	5.0	17	NC
4	5.0	18	0
5	2.4	19	2.0
6	2.6	20	5.0
7	0	21	5.0
8	0	22	5.0
9	2.6	23	5.0

IC351 (PD4457A)

Pin No.	Voltage [V]	Pin No.	Voltage [V]	Pin No.	Voltage [V]	Pin No.	Voltage [V]
1	5.0	17	-3.0 to -22.0	33	5.0	49	0
2	-24.0 to -23.3	18	-26.0	34	3.3 to 4.7	50	5.0
3	-24.0 to -23.3	19	-5.0	35	5.0	51	0
4	-24.0 to -23.3	20	-3.0 to -22.0	36	0	52	5.0
5	-24.0 to -23.3	21	-3.0 to -22.0	37	5.0	53	5.0
6	-24.0 to -23.3	22	-3.0 to -22.0	38	5.0	54	5.0
7	-24.0 to -23.3	23	-3.0 to -22.0	39	NC	55	0
8	-24.0 to -23.3	24	-3.0 to -22.0	40	NC	56	2.5
9	-24.0 to -23.3	25	-3.0 to -22.0	41	0	57	2.5

SINGLE MECHANISM ASSEMBLY



RKP-533
CN201
(TP1)

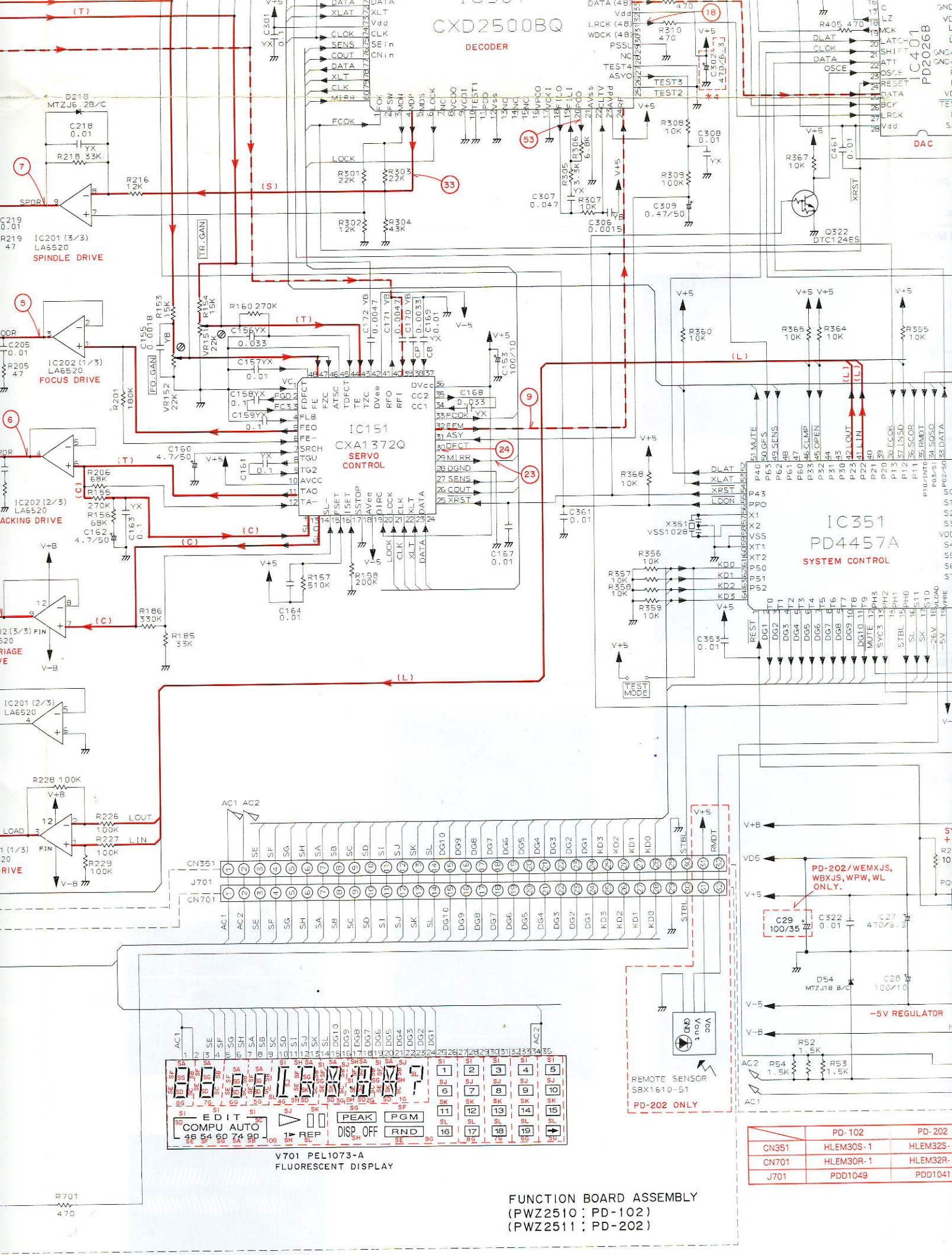
3

7

5

6

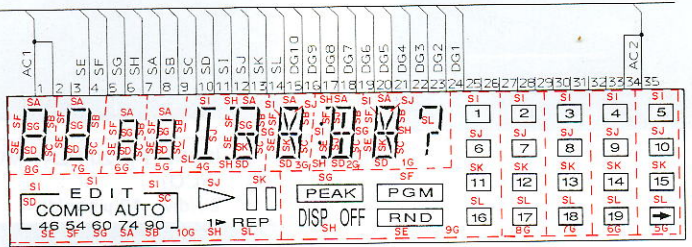
8



CXD2500BQ
DECODER

IC151
CXA1372Q
SERVO CONTROL

IC351
PD4457A
SYSTEM CONTROL



V701 PEL1073-A
FLUORESCENT DISPLAY

FUNCTION BOARD ASSEMBLY
(PW2250 : PD-102)
(PW2251 : PD-202)

	PD-102	PD-202
CN351	HLEM30S-1	HLEM32S-
CN701	HLEM30R-1	HLEM32R-
J701	PDD1049	PDD1041

