

# TA-F317R/F417R

---

**SONY®**  
**SERVICE MANUAL**

*AEP Model*  
TA-F317R/F417R

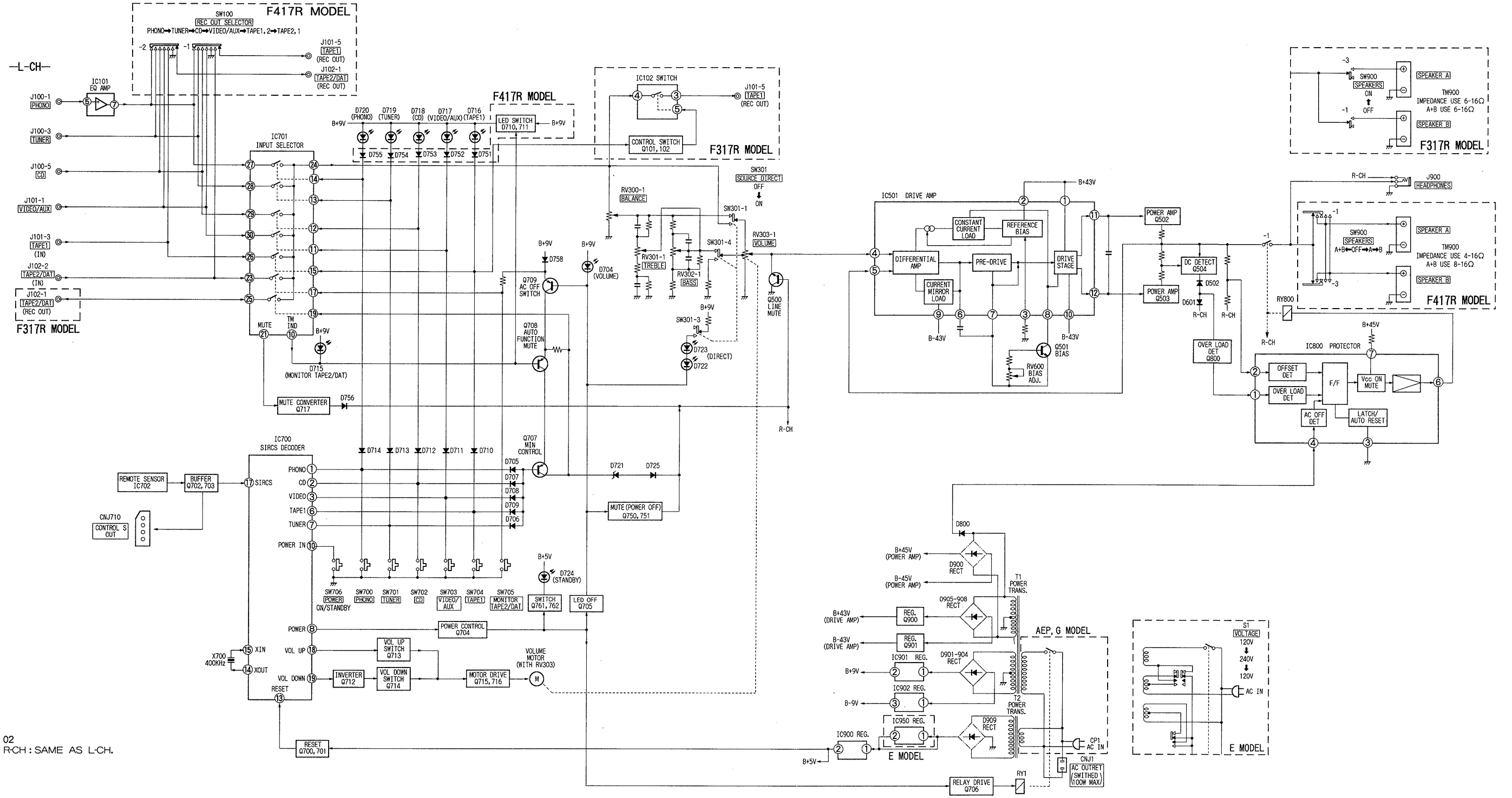
*E Model*  
TA-F417R

## **SUPPLEMENT-1**

File this Supplement with the Service Manual.

**BLOCK DIAGRAM**

1. BLOCK DIAGRAM



02  
R-CH: SAME AS L-CH.