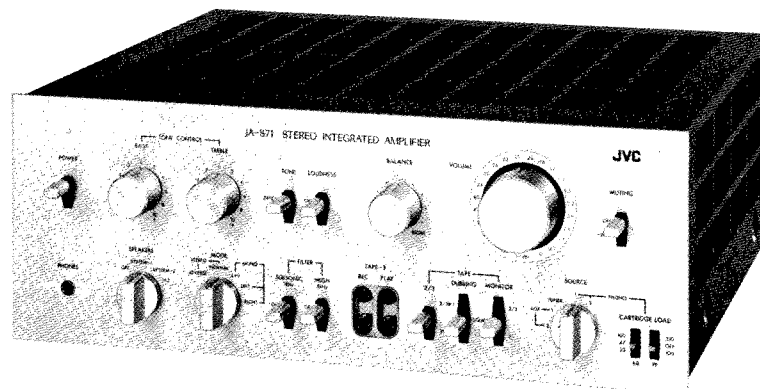


JVC

SERVICE MANUAL

MODEL
JA-S71

STEREO INTEGRATED AMPLIFIER



No. 2369
MAR. 1976

CONTENTS

	Page
1. Specifications	2
2. Block Diagram	3
3. Removal of Top Cover and Bottom Plate	4
4. Main Parts Location and Part Numbers	5
5. Removal of Heat Sinks and Power Transistors	5
6. Exploded Views of Mechanical Parts	
6-(1) Front Panel	6
6-(2) Rear Panel	7
6-(3) Chassis Base	8
7. Circuit Board Ass'y	
7-(1) TAD-171B Driver Amp. Protector C.B. Ass'y	9
7-(2) TAC-387B Tone Control C.B. Ass'y	15
7-(3) TAE-113 Equalizer C.B. Ass'y	17
7-(4) TPS-37B Power Supply C.B. Ass'y	19
8. Heat Sink Ass'y	21
9. Power Amplifier Adjustment Procedure	22
10. Packing Materials List	23
11. Accessories List	23
12. Schematic Diagram	24
13. Parts List with Specified Numbers for Designated Areas	26

1. Specifications

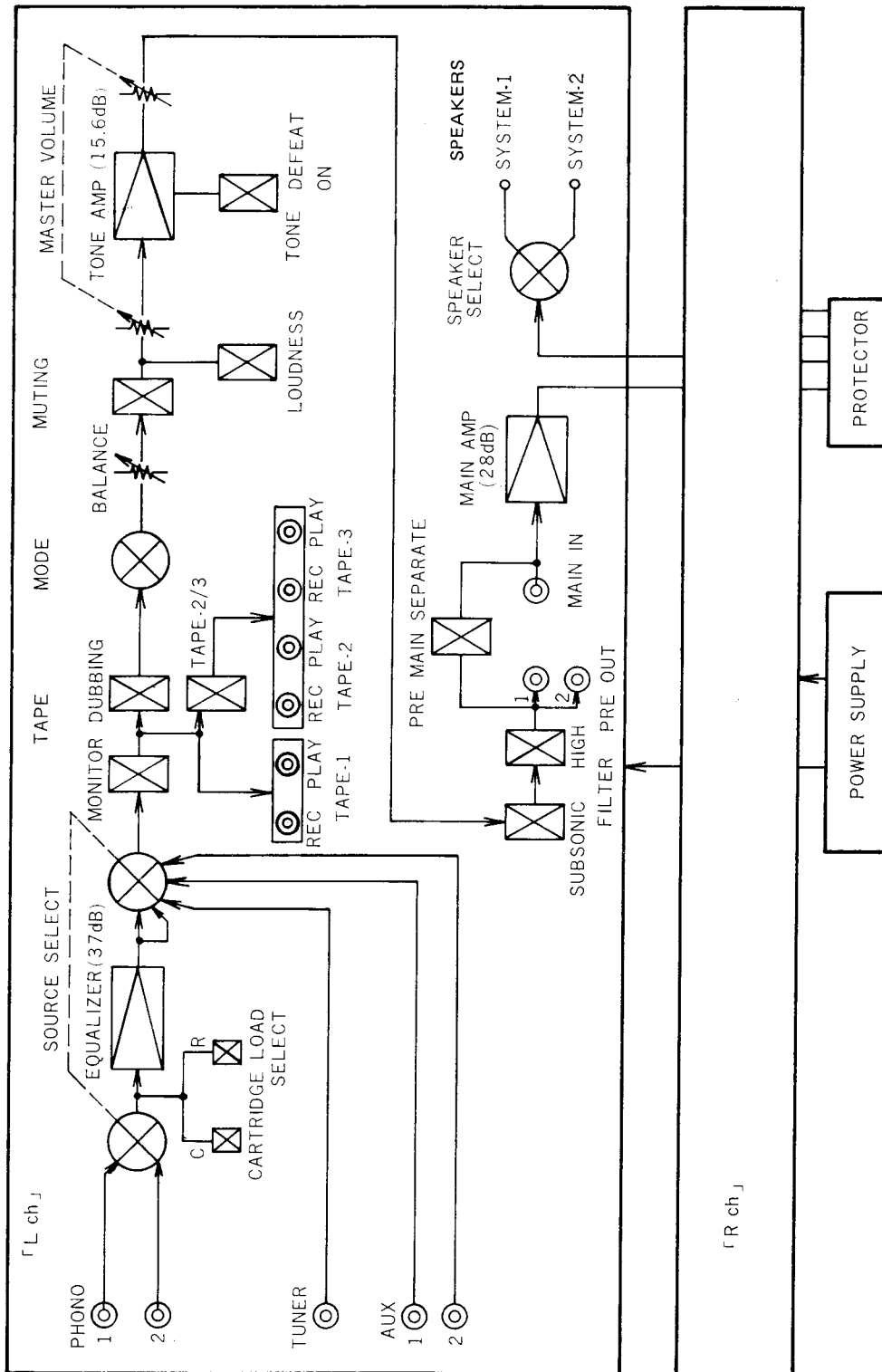
Power Amplifier Section

Output Power (both channels driven)	: 80 watts per channel, min. RMS into 8 ohms from 20Hz – 20kHz with no more than 0.1% total harmonic distortion 85 watts per channel into 8 ohms at 1kHz. THD = 0.1%
Total Harmonic Distortion (at 80W)	: 0.05% at 1kHz
Intermodulation Distortion	: 0.1% at rated output
Frequency Response	: 10Hz – 70kHz $^{+0}_{-1}$ dB at 1W Output
Input Sensitivity/Impedance	: 1V/50k Ω
Load Impedance	: 4 Ω – 16 Ω (SYSTEM-1 or 2) 8 Ω – 16 Ω (SYSTEM-1+2)
Damping Factor	: 30 at 8 Ω (20Hz – 20kHz)
Signal to Noise Ratio	: 100dB

Pre-Amplifier Section

Input Sensitivity/Impedance	: PHONO-1, 2 : 2.5mV/33k Ω , 47k Ω , 100k Ω Selectable TUNER : 180mV/50k Ω , AUX-1, 2 : 180mV/50k Ω , TAPE PLAY-1, 2, 3 : 180mV/50k Ω , DIN PLAY : 180mV/50k Ω
Output Sensitivity/Impedance	: TAPE REC-1, 2, 3 : 180mV DIN REC : 30mV PRE OUT : 1V/1.9k Ω
Phono Equalizer Deviation	: ± 0.5 dB from RIAA Curve
Phono Overload	: 210mV (RMS)/580mV (P-P) at 1kHz
Signal to Noise Ratio	: PHONO : 65dB (RMS) AUX, TAPE PLAY : 85dB (RMS)
Frequency Response	: TUNER, AUX, TAPE PLAY 20Hz – 70kHz, ± 0.5 dB
Loudness Control (at -30dB Vol. Control)	: + 8 dB at 100Hz, +4dB at 10kHz
Tone Control	: BASS : ± 8 dB (100Hz) TREBLE : ± 8 dB (10kHz)
Filters	: Subsonic : 6dB/Oct. at 18Hz High : -6dB/Oct. at 9kHz
Muting	: -20dB
Power Source and Power Consumption	: See page 26
Dimensions	: 6-3/8"(H) x 16-5/8"(W) x 15-1/3"(D) (16.2cm x 42.0cm x 39.0cm)
Weight	: 35.2 lbs. (16kg)

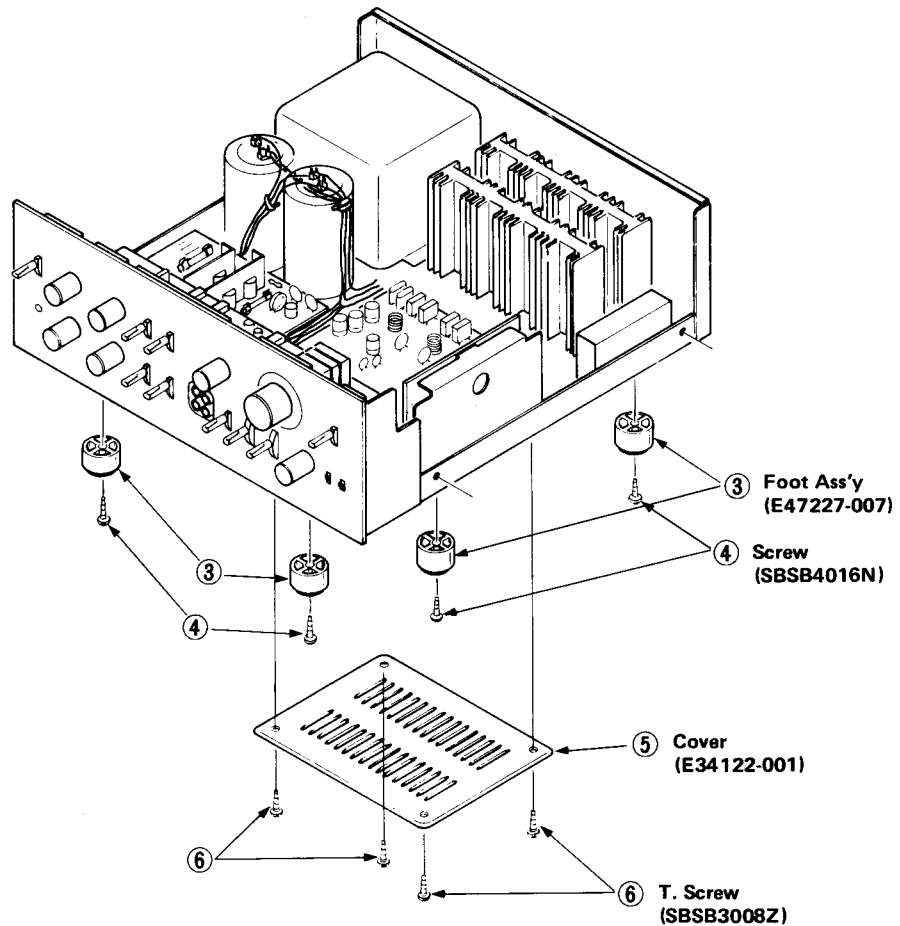
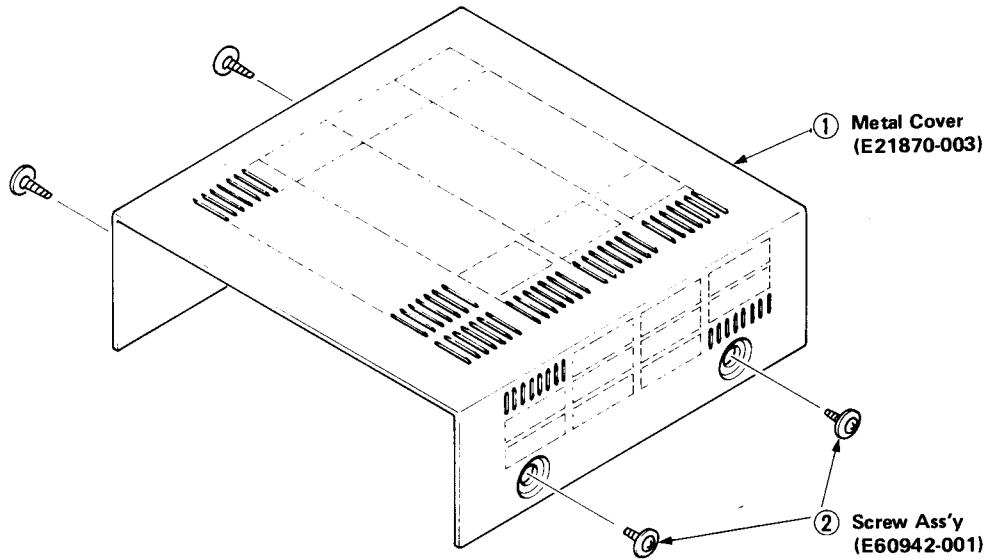
2. Block Diagram



3. Removal of Top Cover and Bottom Plate

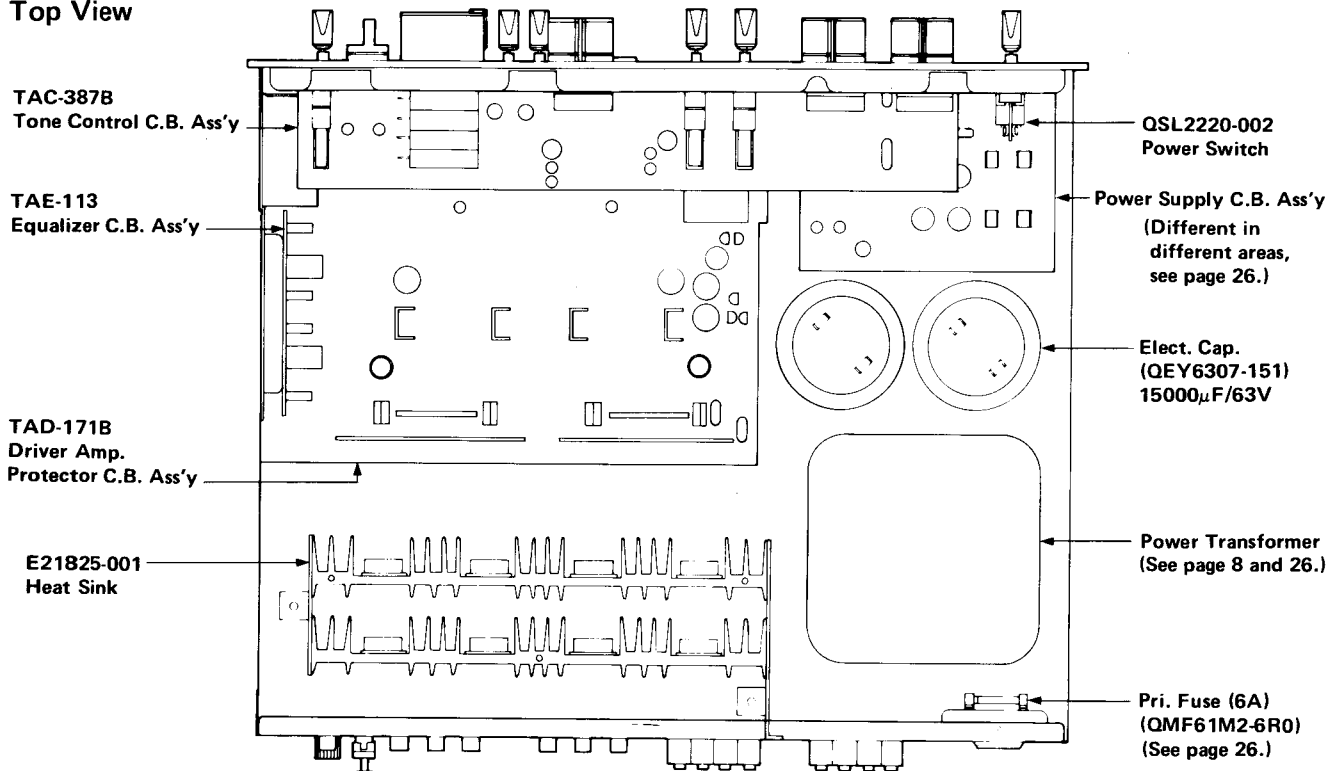
Procedure and Part Numbers

1. Remove 4 screws (Item No. 2) through the both sides of the cover.
2. Remove the top cover (Item No. 1).
3. Remove 4 screws (Item No. 6) from bottom plate (Item No. 5) and remove the bottom plate from the chassis.



4. Main Parts Location and Part Numbers

Top View



5. Removal of Heat Sinks and Power Transistors

1. Replacement of transistors on heat sinks.

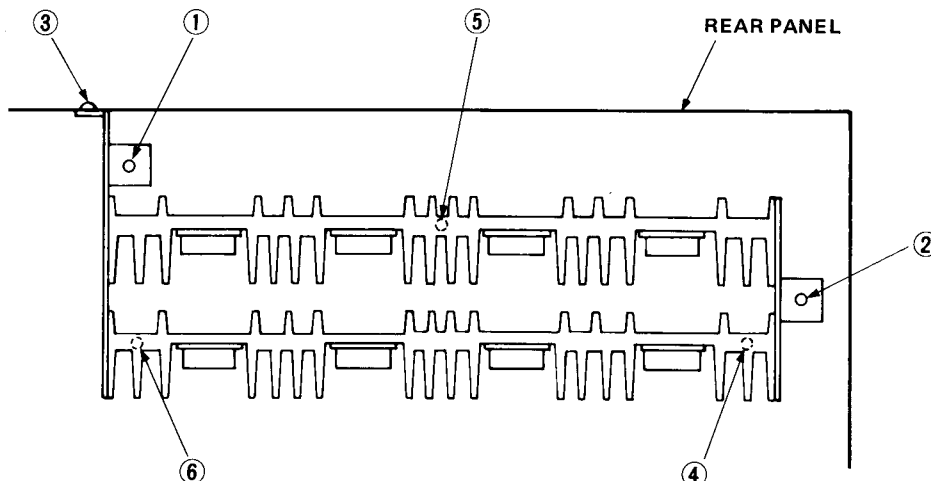
Thermal detector transistors X611, 612 (2SC853L)

Power transistors X619, 620, 623, 624 (2SA753V B or C)

Power transistors X617, 618, 621, 622 (2SC898V B or C)

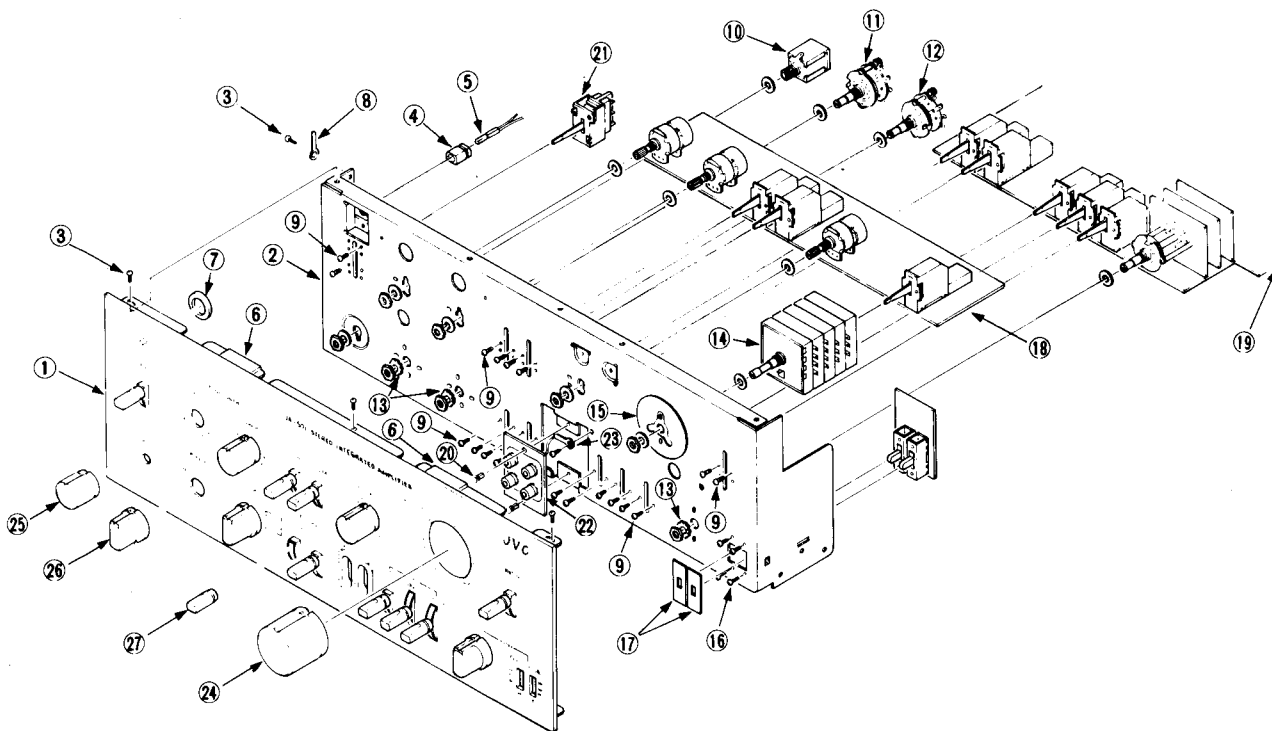
Remove the screws ① ② on chassis, ③ on rear panel, ④ ⑤ ⑥ from bottom side.

Disconnect sockets from circuit board (TAD-171B), then remove heat sinks.



6. Exploded Views of Mechanical Parts

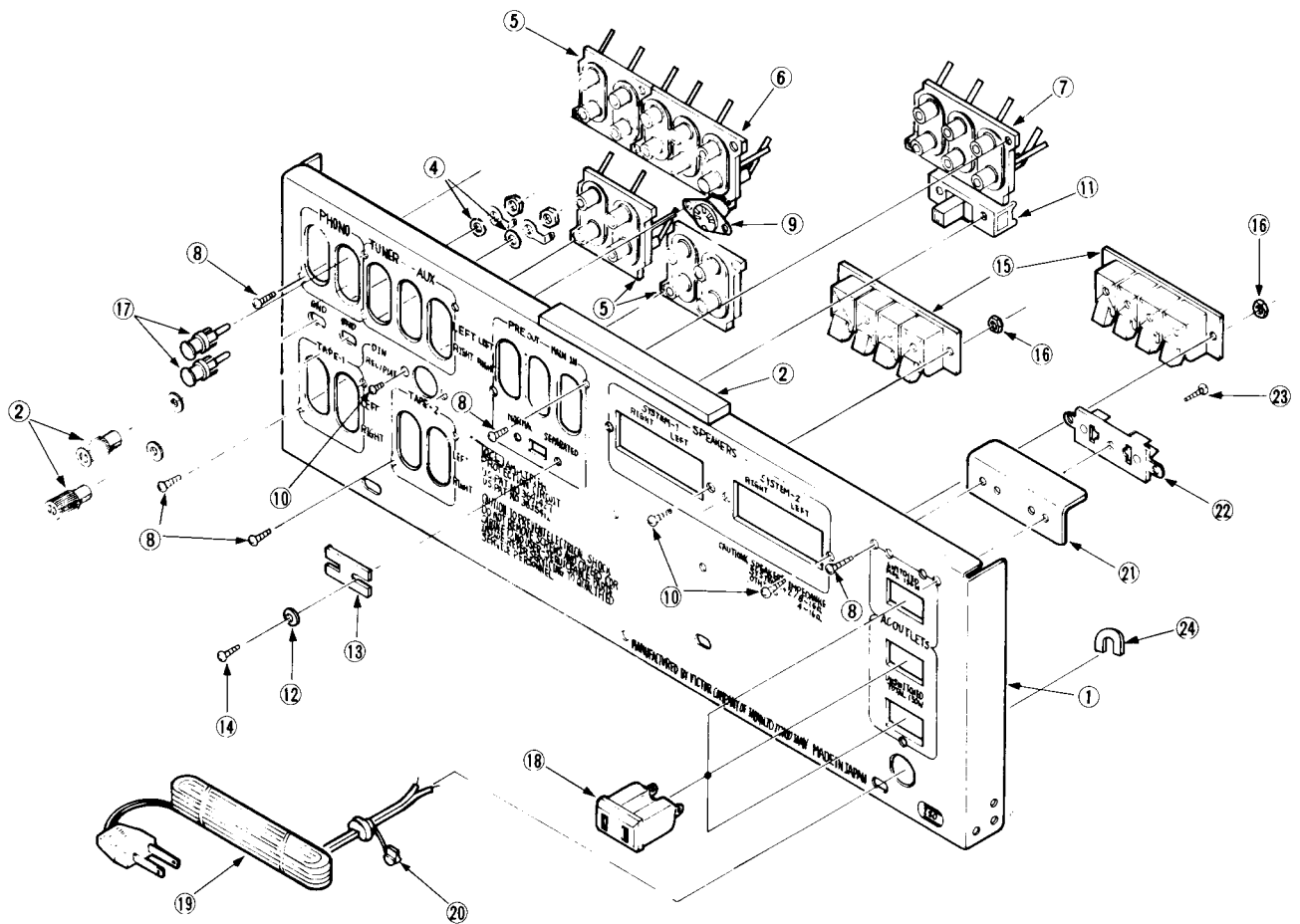
6-(1) Front Panel



Parts List

Item No.	Part Number	Rating	Description	Q'ty
1	E1996-005		Front Panel Ass'y	1
2	E10005-001		Front Bracket	1
3	SBSB3008Z		T. Screw	7
4	E46029-001		Rubber Bushing	1
5	QLP3104-101		Pilot Lamp	1
6	E3400-307		Felt Spacer	2
7	E46891-014		Plate	1
8	E50670-005		Wire Clamp	1
9	SSSP3006NS		Screw	18
10	E03468-004		Headphone Jack Ass'y	1
11	QSR0060-003		Rotary Switch (Speaker)	1
12	QSR0017-004		Rotary Switch (Mode)	1
13	WAS9000N		Washer	3
14	QVZ1403-002		Variable Resistor (Volume)	1
15	E60078-002		Spacer	1
16	SSSP2605N		Screw	4
17	E60077-001		Spacer	2
18	TAC-387B		Tone Control C.B. Ass'y	1
19	TAD-171B		Driver Amp. C.B. Ass'y	1
20	E48729-001		Plastic Rivet	2
21	QSL2220-002		Power Switch (See page 26.)	1
22	E03043-40B		Pin Jack Ass'y	1
23	52868-3		Terminal	1
24	E49974-001		Vol. Knob	1
25	E49975-001		Vol. Knob	3
26	E49976-001		Knob	3
27	E49977-002		Lever Knob	9

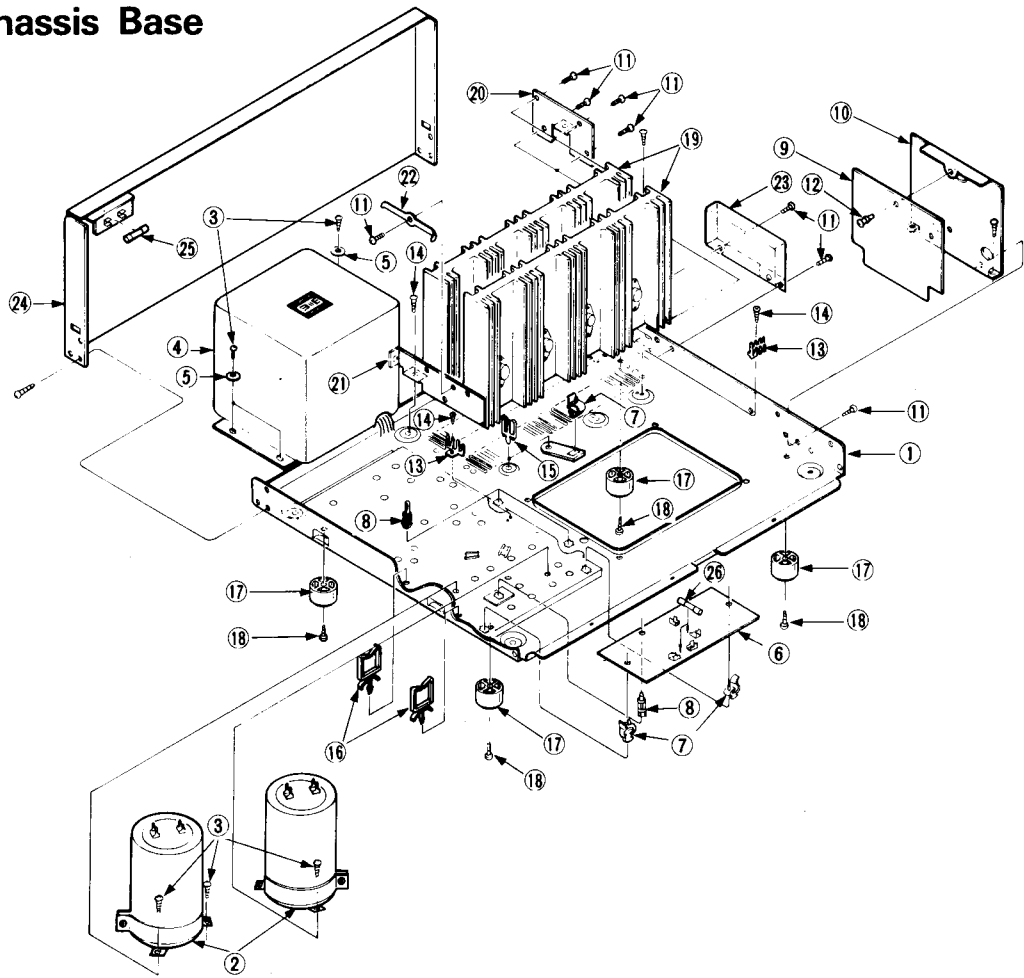
6-(2) Rear Panel



Parts List

Item No.	Part Number	Rating	Description	Q'ty
1	E10010-001		Rear Panel (See page 26.)	1
2	E60297-002		Spacer	1
3	E03619-001		GND Terminal	2
4	WBS6000N		Washer	2
5	E03591-41C		Pin Jack	3
6	E03591-60C		Pin Jack	1
7	E03591-61C		Pin Jack	1
8	SBSB3008M		Tap. Screw	12
9	QMC0589-005		DIN Socket	1
10	SPSP3008MS		Screw	6
11	QSS4224-002		Slide Switch	1
12	WNS2600M		Washer	1
13	E48783-002		Switch Stopper	1
14	SPSP2604M		Screw	2
15	E03572-105		Spk. Terminal	2
16	NNZ3000ZS		Nut	4
17	E03449-001		Short Pin Plug	2
18	QMC0235-002		AC Socket	3
19	QMP1700-244		Power Cord Ass'y	1
20	QHS4194-323		Cord Stopper	1
21	E47275-003		Fuse Board Holder	1
22	QMG1121-006		Fuse Board	1
23	SBSB3008Z		T. Screw	1
24	E61160-001		Spacer (See page 26.)	1

6-(3) Chassis Base



Parts List

Item No.	Part Number	Rating	Description	Q'ty
1	E1993-002		Chassis Base Ass'y	1
2	QEY6307-151		Elect. Cap.	2
3	E60134-004		Special Screw	8
4	E03611-3B		Power Trans (See page 26.)	1
5	WNS4000N		Washer	4
6	TPS-37B		Power Supply (See page 26.)	1
7	E33561-002		Fastener	3
8	E49248-003		Fastener	3
9	TAE-113		Equalizer C.B. Ass'y	1
10	E34121-002		C.B. Holder	1
11	SBSB3008Z		T. Screw	18
12	E48729-001		Plastic Rivet	1
13	E46651-001		Wrapping Terminal	2
14	E60133-001		Special Screw	3
15	QHW3059-001		Wire Clamp	2
16	E44930-001		Wire Clamp	2
17	E47227-007		Foot Ass'y	4
18	SBSB4016N		Screw	4
19	E21825-001		Heat Sink	2
20	E60069-001		Bracket	1
21	E34123-001		Bracket	1
22	E47203-006		Wire Clamp	1
23	E60287-001		Protector	1
24	E10010-001		Rear Panel (See page 26.)	1
25	QMF61M2-6R0		Fuse	1
26	QMF61M2-R20		Fuse } (See page 26.)	2

7. Circuit Board Ass'y

7-(1) TAD-171B Driver Amp. Protector C.B. Ass'y

Transistors

Item No.	Part Number	Rating		Description	Maker
		Pc	fT		
X601	2SC1775AV (F)	300mW	200MHz	Silicon	Hitachi
X602	2SC1775AV (F)	"	"	"	"
X603	2SC1775AV (F)	"	"	"	"
X604	2SC1775AV (F)	"	"	"	"
X605	2SA818 (O, Y)	1W	120MHz	"	Toshiba
X606	2SA818 (O, Y)	"	"	"	"
X607	2SA818 (O, Y)	"	"	"	"
X608	2SA818 (O, Y)	"	"	"	"
X609	2SC1628 (O, Y)	"	"	"	"
X610	2SC1628 (O, Y)	"	"	"	"
X613	2SD381 (L, M)	20W	60MHz	"	N.E.C.
X614	2SD381 (L, M)	"	"	"	"
X615	2SB536 (L, M)	"	"	"	"
X616	2SB536 (L, M)	"	"	"	"
X625	2SC1775AV (F)	300mW	200MHz	"	Hitachi
X626	2SC1775AV (F)	"	"	"	"
X627	2SA872AV (D)	"	"	"	"
X628	2SC1775AV (F)	"	"	"	"
X629	2SC1775AV (F)	"	"	"	"
X630	2SC1509 (R)	750mW	120MHz	"	Matsushita

Diodes

Item No.	Part Number	Rating	Description	Maker
D601	1S2473		Silicon	Toyo Dengu
D602	1S2473		"	"
D603	1S2473		"	"
D604	1S2473		"	"
D605	1S2473		"	"
D606	1S2473		"	"
D607	1S2473		"	"
D608	1S2473		"	"
D609	1S2473		"	"
D610	1S2473		"	"
D611	1S2473		"	"
D612	1S2473		"	"
D613	1S2473		"	"
ZD601	E0771-10		Zener	JRC

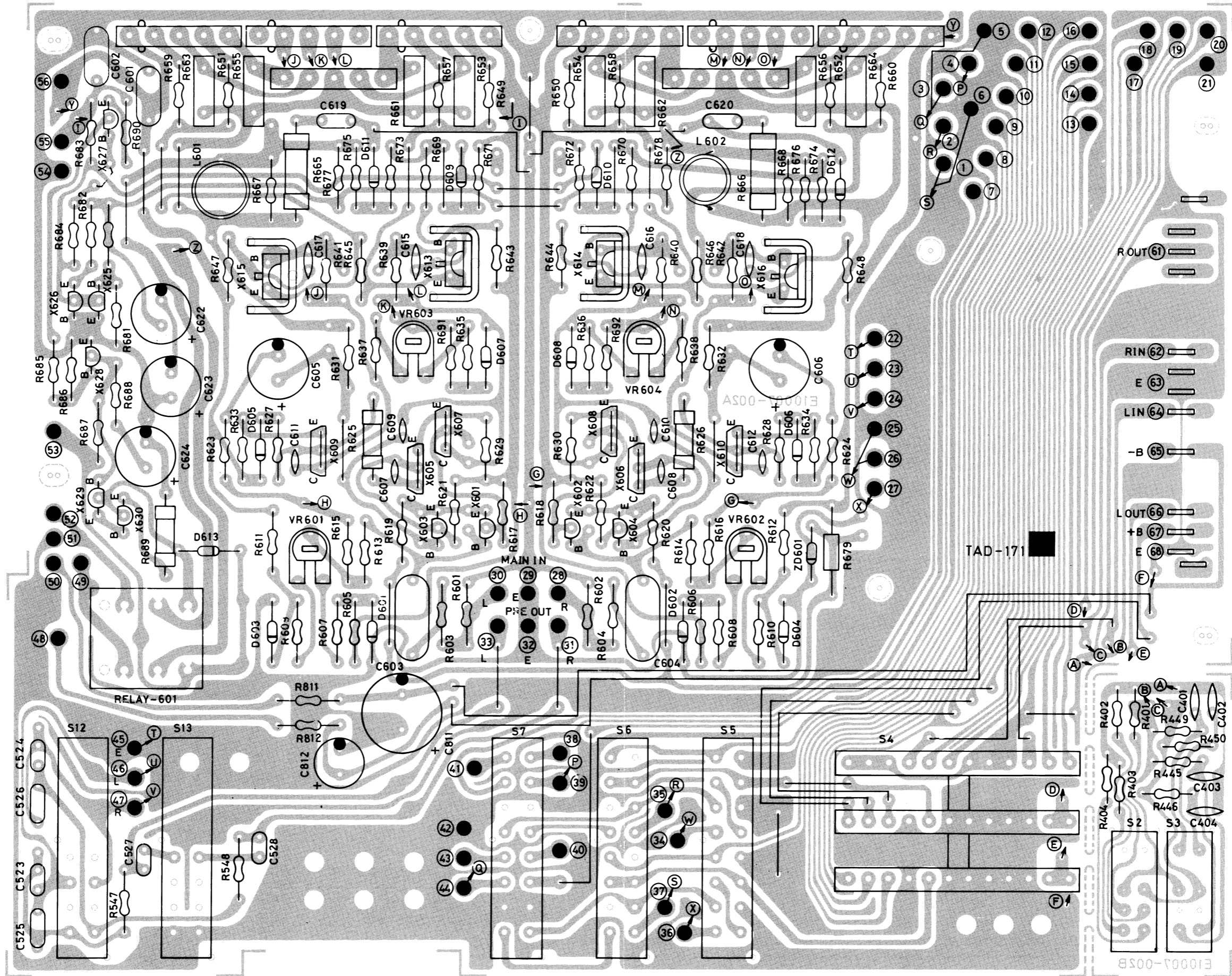
Coils

Item No.	Part Number	Rating	Description
L601	E04059-2R7		Choke Coil
L602	E04059-2R7		"

Capacitors

Item No.	Part Number	Rating		Description
C401	QCS11HJ-101	100pF	50V	Ceramic
C402	QCS11HJ-101	"	"	"
C403	QCS11HJ-331	300pF	"	"
C404	QCS11HJ-331	"	"	"
C523	QFM41HJ-154	0.15μF	"	Mylar
C524	QFM41HJ-154	"	"	"
C525	QFM41HK-562	5600pF	"	"
C526	QFM41HK-562	"	"	"
C527	QFM41HK-103	0.01μF	"	"
C528	QFM41HK-103	"	"	"

TAD-171B Driver Amp. Protector C.B. Ass'y



Capacitors

Item No.	Part Number	Rating		Description
C601	QFM42AK-224	0.22 μ F	100V	Mylar
C602	QFM42AK-224	"	"	"
C603	QFM41HJ-474	0.47 μ F	50V	"
C604	QFM41HJ-474	"	"	"
C605	QEW41HA-476	47 μ F	"	Electrolytic
C606	QEW41HA-476	"	"	"
C607	QCS12HJ-100	10pF	500V	Ceramic
C608	QCS12HJ-100	"	"	"
C609	QCS12HJ-5R0	5pF	"	"
C610	QCS12HJ-5R0	"	"	"
C615	QCS12HJ-391	390pF	"	"
C616	QCS12HJ-391	"	"	"
C617	QCS12HJ-121	120pF	"	"
C618	QCS12HJ-121	"	"	"
C619	QFM42AK-224	0.22 μ F	100V	Mylar
C620	QFM42AK-224	"	"	"
C622	QEW41CA-477	470 μ F	16V	Electrolytic
C623	QEW41CA-477	"	"	"
C624	QEW40JA-227	220 μ F	6.3V	"
C811	QEW41VA-477	470 μ F	35V	"
C812	QEW41VA-107	100 μ F	"	"

Resistors

Item No.	Part Number	Rating		Description
R401	QRD181J-124	120k Ω	1/8W	Carbon
R402	QRD181J-124	"	"	"
R403	QRD181J-563	56k Ω	"	"
R404	QRD181J-563	"	"	"
R445	QRD181J-105	1M Ω	"	"
R446	QRD181J-105	"	"	"
R449	QRD181J-105	"	"	"
R450	QRD181J-105	"	"	"
R547	QRZ0019-182	1.8k Ω	1/4W	"
R548	QRZ0019-182	"	"	"
R601	QRD141J-104	100k Ω	"	"
R602	QRD141J-104	"	"	"
R603	QRD141J-102	1k Ω	"	"
R604	QRD141J-102	"	"	"
R605	QRD141J-683	68k Ω	"	"
R606	QRD141J-683	"	"	"
R607	QRD141J-152	1.5k Ω	"	"
R608	QRD141J-152	"	"	"
R609	QRD141J-152	"	"	"
R610	QRD141J-152	"	"	"
R611	QRD141J-683	68k Ω	"	"
R612	QRD141J-683	"	"	"
R613	QRD141J-104	100k Ω	"	"
R614	QRD141J-104	"	"	"
R615	QRD141J-103	10k Ω	"	"
R616	QRD141J-103	"	"	"
R617	QRG129J-272	2.7k Ω	1/2W	Unflamable O.M.F.
R618	QRG129J-272	"	"	"
R619	QRG129J-682	6.8k Ω	"	"
R620	QRG129J-682	"	"	"

Resistors

Item No.	Part Number	Rating		Description
R621	QRG129J-272	2.7k Ω	1/2W	Unflamable O.M.F.
R622	QRG129J-272	"	"	"
R623	QRD141J-392	3.9k Ω	1/4W	Carbon
R624	QRD141J-392	"	"	"
R625	QRG016J-183	18k Ω	1W	Unflamable O.M.F.
R626	QRG016J-183	"	"	"
R627	QRD126J-221	220 Ω	1/2W	Unflamable Carbon
R628	QRD126J-221	"	"	"
R629	QRG129J-221	"	"	Unflamable O.M.F.
R630	QRG129J-221	"	"	"
R631	QRD141J-104	100k Ω	1/4W	Carbon
R632	QRD141J-104	"	"	"
R633	QRD126J-221	220 Ω	1/2W	Unflamable Carbon
R634	QRD126J-221	"	"	"
R635	QRD141J-103	10k Ω	1/4W	Carbon
R636	QRD141J-103	"	"	"
R637	QRD141J-472	4.7k Ω	"	"
R638	QRD141J-472	"	"	"
R639	QRG129J-181	180 Ω	1/2W	Unflamable O.M.F.
R640	QRG129J-181	"	"	"
R641	QRG129J-181	"	"	"
R642	QRG129J-181	"	"	"
R643	QRX129J-100	10 Ω	"	Unflamable M.F.
R644	QRX129J-100	"	"	"
R645	QRG129J-221	220 Ω	"	Unflamable O.M.F.
R646	QRG129J-221	"	"	"
R647	QRX129J-100	10 Ω	"	Unflamable M.F.
R648	QRX129J-100	"	"	"
R649	QRD141J-3R3	3.3 Ω	1/4W	Carbon
R650	QRD141J-3R3	"	"	"
R651	QRD141J-3R3	"	"	"
R652	QRD141J-3R3	"	"	"
R653	QRM054K-R47	0.47 Ω	5W	Metal Plate
R654	QRM054K-R47	"	"	"
R655	QRM054K-R47	"	"	"
R656	QRM054K-R47	"	"	"
R657	QRD141J-3R3	3.3 Ω	1/4W	Carbon
R658	QRD141J-3R3	"	"	"
R659	QRD141J-3R3	"	"	"
R660	QRD141J-3R3	"	"	"
R661	QRM054K-R47	0.47 Ω	5W	Metal Plate
R662	QRM054K-R47	"	"	"
R663	QRM054K-R47	"	"	"
R664	QRM054K-R47	"	"	"
R665	QRX026J-100	10 Ω	2W	Unflamable M.F.
R666	QRX026J-100	"	"	"
R667	QRX129J-4R7	4.7 Ω	1/2W	"
R668	QRX129J-4R7	"	"	"
R669	QRD141J-272	2.7k Ω	1/4W	Carbon
R670	QRD141J-272	"	"	"

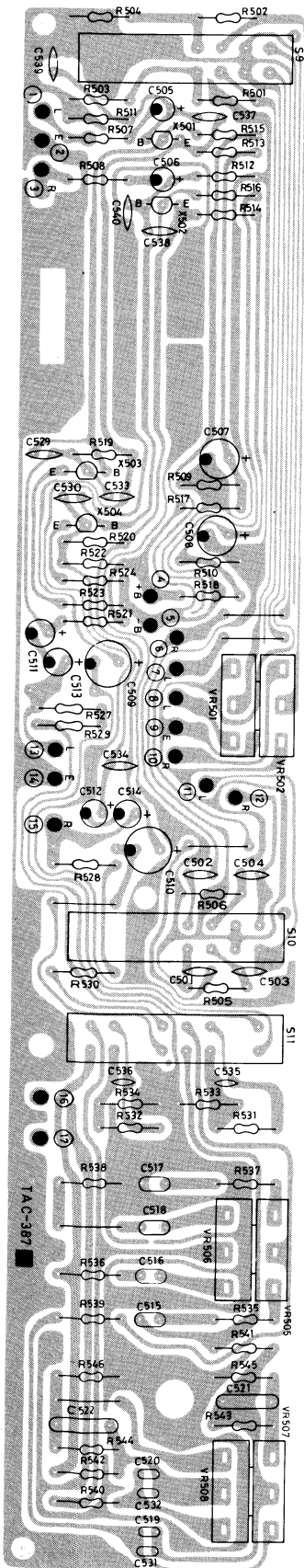
Resistors

Item No.	Part Number	Rating		Description
R671	QRD141J-182	1.8k Ω	1/4W	Carbon
R672	QRD141J-182	"	"	"
R673	QRD141J-823	82k Ω	"	"
R674	QRD141J-823	"	"	"
R675	QRD141J-562	5.6k Ω	"	"
R676	QRD141J-562	"	"	"
R677	QRD141J-103	10k Ω	"	"
R678	QRD141J-103	"	"	"
R679	QRG011J-103	"	1W	O.M.F.
R680	QRD141J-152	1.5k Ω	1/4W	Carbon
R681	QRD141J-392	3.9k Ω	"	"
R682	QRD141J-332	3.3k Ω	"	"
R683	QRD141J-223	22k Ω	"	"
R684	QRD141J-473	47k Ω	"	"
R685	QRD141J-473	"	"	"
R686	QRD141J-472	4.7k Ω	"	"
R687	QRD141J-274	270k Ω	"	"
R688	QRD141J-560	56 Ω	"	"
R689	QRG016J-560	"	1W	Unflamable O.M.F.
R690	QRD141J-152	1.5k Ω	1/4W	Carbon
R691	QRD141J-104	100k Ω	1/4W	Carbon
R692	QRD141J-104	"	"	"
R811	QRG129J-121	120 Ω	1/2W	Unflamable O.M.F.
R812	QRG129J-121	"	"	"
VR601	QVP8A0B-013	1k Ω	0.1W	Variable
VR602	QVP8A0B-013	"	"	"
VR603	QVP8A0B-023	2k Ω	"	"
VR604	QVP8A0B-023	"	"	"

Others

Item No.	Part Number	Rating	Description
S2	E10073-001		Circuit Board
	E43727-002		Tab
	E03628-5UD		5 Pin Plug
	QHW3059-001		Wire Clamp
	QSS2301-001		Slide Switch
S3	QSS2301-001		"
S4	QSR0071-001		Rotary Switch
S5	QSL4312-001		Lever Switch
S6	QSL4312-001		"
S7	QSL4212-002		"
S12	QSL2212-001		"
S13	QSL2212-001		"
	E49784-002		Connect Pin
	ESK1D24-214		Relay
	E60216-001		Jumping Wire

7-(2) TAC-387B Tone Control C.B. Ass'y



Transistors

Item No.	Part Number	Rating		Description	Maker
		Pc	fT		
X501	2SA872AV (D)	300mW	200MHz	Silicon	Hitachi
X502	2SA872AV (D)	"	"	"	"
X503	2SC1775AV (F)	"	"	"	"
X504	2SC1775AV (F)	"	"	"	"

Capacitors

Item No.	Part Number	Rating		Description
C501	QCS11HJ-121	120pF	50V	Ceramic
C502	QCS11HJ-121	"	"	"
C503	QFM41HK-333	0.033μF	"	Mylar
C504	QFM41HK-333	"	"	"
C505	QEB41HM-105	1μF	"	L.L.C. Electrolytic
C506	QEB41HM-105	"	"	"
C507	QEW41CA-476	47μF	16V	Electrolytic
C508	QEW41CA-476	"	"	"
C509	QEW41EA-476	"	25V	"
C510	QEW41EA-476	"	"	"
C511	QEB41HM-224	0.22μF	50V	L.L.C. Electrolytic
C512	QEB41HM-224	"	"	"
C513	QEB41HM-334	0.33μF	"	"
C514	QEB41HM-334	"	"	"
C515	QFM41HJ-332	3300pF	"	Mylar
C516	QFM41HJ-332	"	"	"
C517	QFM41HJ-393	0.039μF	"	"
C518	QFM41HJ-393	"	"	"
C519	QFM41HJ-273	0.027μF	"	"
C520	QFM41HJ-273	"	"	"
C521	QFM41HJ-224	0.22μF	"	"
C522	QFM41HJ-224	"	"	"
C529	QCS11HJ-100	10pF	"	Ceramic
C530	QCS11HJ-100	"	"	"
C531	QFM41HJ-562	5600pF	"	Mylar
C532	QFM41HJ-562	"	"	"
C537	QCS11HJ-331	330pF	"	Ceramic
C538	QCS11HJ-331	"	"	"
C539	QCS11HJ-330	33pF	"	"
C540	QCS11HJ-330	"	"	"

Resistors

Item No.	Part Number	Rating		Description
R501	QRD141J-334	330kΩ	1/4W	Carbon
R502	QRD141J-334	"	"	"
R503	QRD141J-393	39kΩ	"	"
R504	QRD141J-393	"	"	"
R505	QRD141J-223	22kΩ	"	"
R506	QRD141J-223	"	"	"
R507	QRD141J-222	2.2kΩ	"	"
R508	QRD141J-222	"	"	"
R509	QRD141J-223	22kΩ	"	"
R510	QRD141J-223	"	"	"

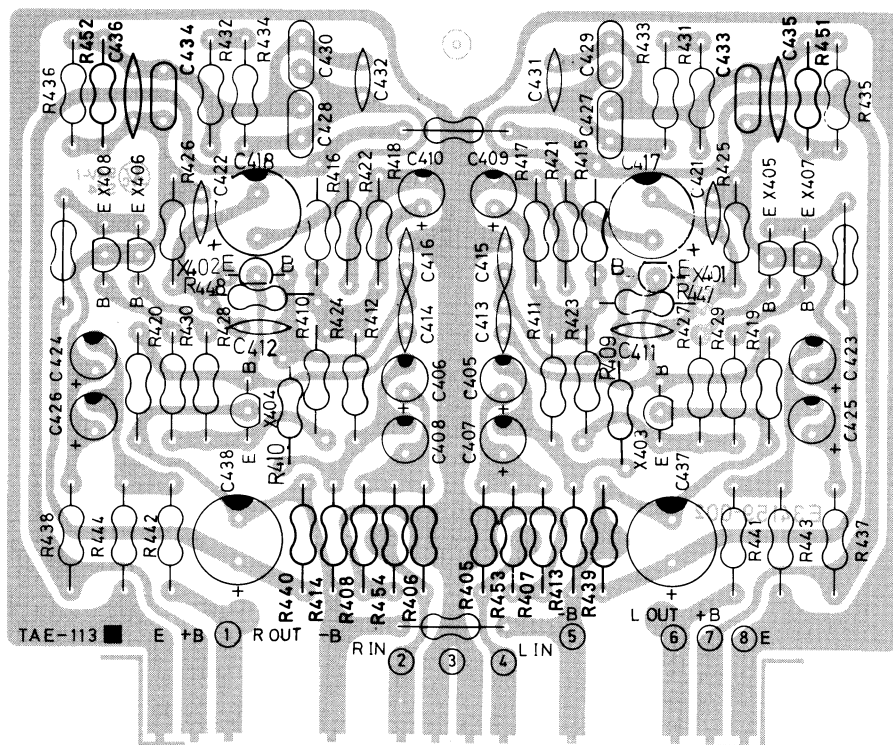
Resistors

Item No.	Part Number	Rating		Description
R511	QRD141J-474	470k Ω	1/4W	Carbon
R512	QRD141J-474	"	"	"
R513	QRD141J-104	100k Ω	"	"
R514	QRD141J-104	"	"	"
R515	QRD141J-223	22k Ω	"	"
R516	QRD141J-223	"	"	"
R517	QRD141J-473	47k Ω	"	"
R518	QRD141J-473	"	"	"
R519	QRD141J-274	270k Ω	"	"
R520	QRD141J-274	"	"	"
R521	QRG129J-562	270k Ω	1/2W	Unflamable O.M.F.
R522	QRG129J-562	"	"	"
R523	QRD141J-151	150 Ω	1/4W	Carbon
R524	QRD141J-151	"	"	"
R527	QRD141J-182	1.8k Ω	"	"
R528	QRD141J-182	"	"	"
R529	QRD141J-391	390 Ω	"	"
R530	QRD141J-391	"	"	"
R531	QRD141J-103	10k Ω	"	"
R532	QRD141J-103	"	"	"
R533	QRD141J-222	2.2k Ω	"	"
R534	QRD141J-222	"	"	"
R535	QRD141J-152	1.5k Ω	"	"
R536	QRD141J-152	"	"	"
R537	QRD141J-121	120 Ω	"	"
R538	QRD141J-121	"	"	"
R539	QRD141J-682	6.8k Ω	"	"
R540	QRD141J-682	"	"	"
R541	QRD141J-472	4.7k Ω	"	"
R542	QRD141J-472	"	"	"
R543	QRD141J-333	33k Ω	"	"
R544	QRD141J-333	"	"	"
R545	QRD141J-122	1.2k Ω	"	"
R546	QRD141J-122	"	"	"
VR501) VR502)	QVC3A2M-115			Variable (Balance)
VR505) VR506)	QVC3A2C-215			Variable (Bass)
VR507) VR508)	QVC3A2C-215			Variable (Treble)

Others

Item No.	Part Number	Rating	Description
S9	E10074-001		Circuit Board
S10	E43727-002		Tab
S12	QSL2212-001		Lever Switch
	QSL2212-001		"
	QSL4212-003		"
	E60216-001		Jumping Wire

7-(3) TAE-113 Equalizer C.B. Ass'y



Transistors

Item No.	Part Number	Rating		Description	Maker
		Pc	fT		
X401	2SA872AV (E)	300mW	200MHz	Silicon	Hitachi
X402	2SA872AV (E)	"	"	"	"
X403	2SA872AV (E)	"	"	"	"
X404	2SA872AV (E)	"	"	"	"
X405	2SC1775AV (F)	"	"	"	"
X406	2SC1775AV (F)	"	"	"	"
X407	2SC1775AV (F)	"	"	"	"
X408	2SC1775AV (F)	"	"	"	"

Capacitors

Item No.	Part Number	Rating		Description
		Value	Voltage	
C405	QEB41EM-335	3.3μF	25V	L.L.C. Electrolytic
C406	QEB41EM-335	"	"	"
C409	QEW41CA-226	22μF	16V	Electrolytic
C410	QEW41CA-226	"	"	"
C411	QCF11HJ-271	270pF	50V	Ceramic
C412	QCF11HJ-271	"	"	"
C413	QCS11HJ-7R0	7pF	"	"
C414	QCS11HJ-7R0	"	"	"
C415	QCS11HJ-330	33pF	"	"
C416	QCS11HJ-330	"	"	"
C417	QEW41EA-476	47μF	25V	Electrolytic
C418	QEW41EA-476	"	"	"
C423	QEB41EM-335	3.3μF	"	L.L.C. Electrolytic
C424	QEB41EM-335	"	"	"
C427	QFM41HJ-123	0.012μF	50V	Mylar
C428	QFM41HJ-123	"	"	"
C429	QFM41HJ-392	3900pF	"	"
C430	QFM41HJ-392	"	"	"
C431	QCS11HJ-471	470pF	"	Ceramic
C432	QCS11HJ-471	"	"	"

Capacitors

Item No.	Part Number	Rating		Description
C433	QFM41HJ-472	4700pF	"	Mylar
C434	QFM41HJ-472	"	"	"
C435	QCS11HJ-181	180pF	"	Ceramic
C436	QCS11HJ-181	"	"	"
C437	QEW41CA-107	100 μ F	16V	Electrolytic
C438	QEW41CA-107	"	"	"

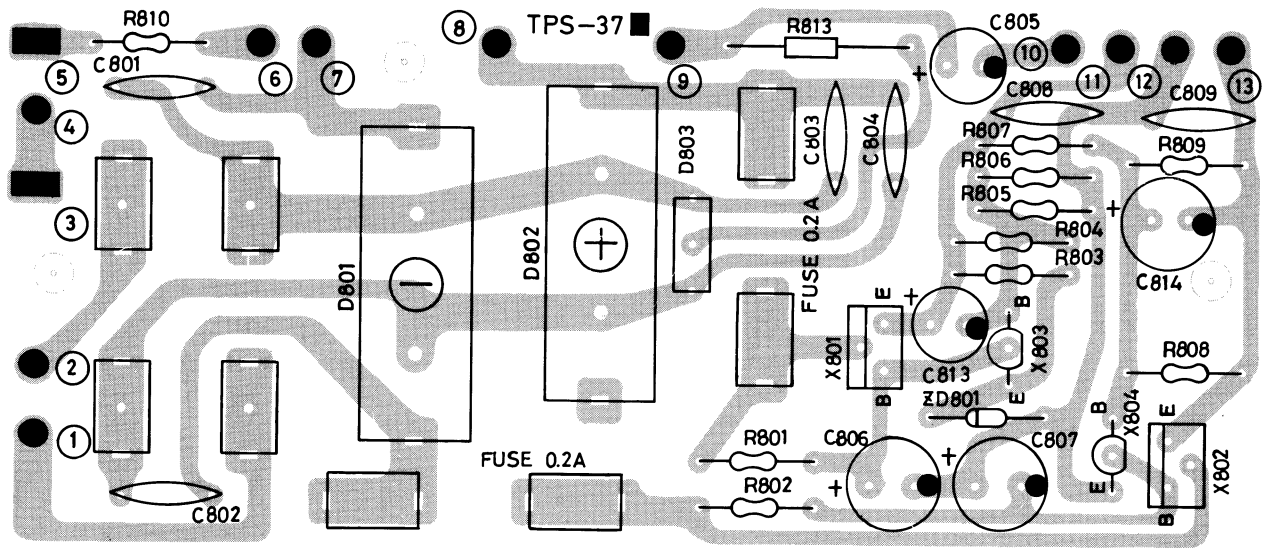
Resistors

Item No.	Part Number	Rating		Description
R407	QRZ0019-154	150k Ω	1/4W	Carbon
R408	QRZ0019-154	"	"	"
R409	QRZ0019-102	1k Ω	"	"
R410	QRZ0019-102	"	"	"
R411	QRZ0019-334	330k Ω	"	"
R412	QRZ0019-334	"	"	"
R413	QRZ0019-105	1M Ω	"	"
R414	QRZ0019-105	"	"	"
R415	QRZ0019-183	18k Ω	"	"
R416	QRZ0019-183	"	"	"
R417	QRZ0019-223	22k Ω	"	"
R418	QRZ0019-223	"	"	"
R419	QRZ0019-683	68k Ω	"	"
R420	QRZ0019-683	"	"	"
R421	QRZ0019-271	270 Ω	"	"
R422	QRZ0019-271	"	"	"
R423	QRZ0019-473	47k Ω	"	"
R424	QRZ0019-473	"	"	"
R425	QRZ0019-155	1.5M Ω	"	"
R426	QRZ0019-155	"	"	"
R427	QRZ0019-102	1k Ω	"	"
R428	QRZ0019-102	"	"	"
R429	QRZ0019-102	"	"	"
R430	QRZ0019-102	"	"	"
R431	QRZ0019-184	180k Ω	"	"
R432	QRZ0019-184	"	"	"
R433	QRZ0019-183	18k Ω	"	"
R434	QRZ0019-183	"	"	"
R435	QRZ0019-393	39k Ω	"	"
R436	QRZ0019-393	"	"	"
R437	QRG126J-472	4.7k Ω	1/2W	Unflamable O.M.F.
R438	QRG126J-472	"	"	"
R439	QRZ0019-821	820 Ω	1/4W	"
R440	QRZ0019-821	"	"	"
R441	QRZ0019-471	470 Ω	"	"
R442	QRZ0019-471	"	"	"
R443	QRZ0019-473	47k Ω	"	"
R444	QRZ0019-473	"	"	"
R447	QRZ0019-124	120k Ω	"	"
R448	QRZ0019-124	"	"	"
R451	QRZ0019-273	27k Ω	"	"
R452	QRZ0019-273	"	"	"
R453	QRZ0019-824	820k Ω	"	"
R454	QRZ0019-824	"	"	"

Others

Item No.	Part Number	Rating	Description
	E34159-002		Circuit Board
	E60216-001		Jumping Wire

7-(4) TPS-37B Power Supply C.B. Ass'y



Transistors

Item No.	Part Number	Rating		Description	Maker
		Pc	f _T		
X801	2SD330V (E)	20W	8MHz	Silicon	Sanyo
X802	2SB514V (E)	"	"	"	"
X803	2SC1775AV (F)	300mW	200MHz	"	Hitachi
X804	2SA872AV (D)	"	"	"	"

Diodes

Item No.	Part Number	Rating	Description	Maker
D801	ESAD01-02N		Silicon	Fuji Denki
D802	ESAD01-02C		"	"
D803	ESAB02-02C		"	"
ZD801	E0771-10		Zener	JRC

Capacitors

Item No.	Part Number	Rating		Description
C801	QCF12HP-103	0.01 μ F	500V	Ceramic
C802	QCF12HP-103	"	"	"
C803	QCF12HP-103	"	"	"
C804	QCF12HP-103	"	"	"
C805	QEW41JA-476	47 μ F	63V	Electrolytic
C806	QEW41JA-476	"	"	"
C807	QEW41JA-476	"	"	"
C808	QCF12HP-103	0.01 μ F	500V	Ceramic
C809	QCF12HP-103	"	"	"
C813	QEW41HA-106	10 μ F	50V	Electrolytic
C814	QEW41HA-106	"	"	"

Resistors

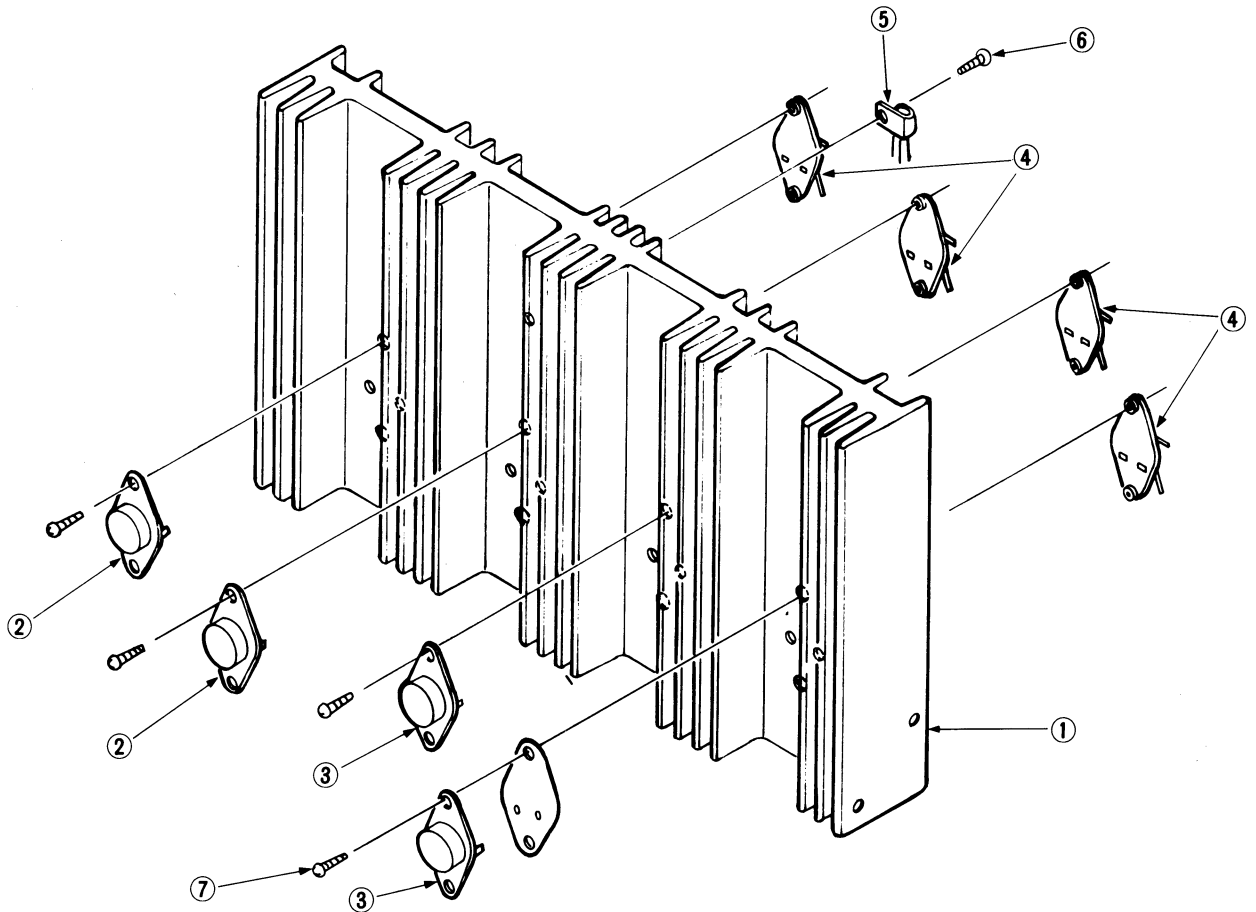
Item No.	Part Number	Rating		Description
R801	QRD141J-103	10k Ω	1/4W	Carbon
R802	QRD141J-103	"	"	"
R803	QRD141J-472	4.7k Ω	"	"
R804	QRD141J-822	8.2k Ω	"	"
R805	QRD141J-472	4.7k Ω	"	"
R806	QRD141J-153	15k Ω	"	"
R807	QRD141J-273	27k Ω	"	"
R808	QRD141J-273	"	"	"
R809	QRD141J-474	470k Ω	"	"
R810	QRG129J-470	47 Ω	1/2W	Unflamable O.M.F.
R813	QRG026J-331	330 Ω	2W	"

Others

Item No.	Part Number	Rating	Description
	E34404-001		Circuit Board
	E03675-002		Fuse Clip
	E43727-002		Tab
	E40130		"
	*E48316-016		Fuse Label

* Different in different areas, see page 26.

8. Heat Sink Ass'y



Parts List

Item No.	Part Number	Rating	Description	Q'ty
1	E21825-001		Heat Sink	2
2	2SC898V (B, C)		Transistor	4
3	2SA753V (B, C)		Transistor	4
4	E03624-001		Tr. Socket	8
5	2SC853 (L)		Transistor	2
6	SBSB3008Z		T. Screw	2
7	LPSP3014ZS		Screw	16

9. Power Amplifier Adjustment Procedure

() : For right channel adjustment

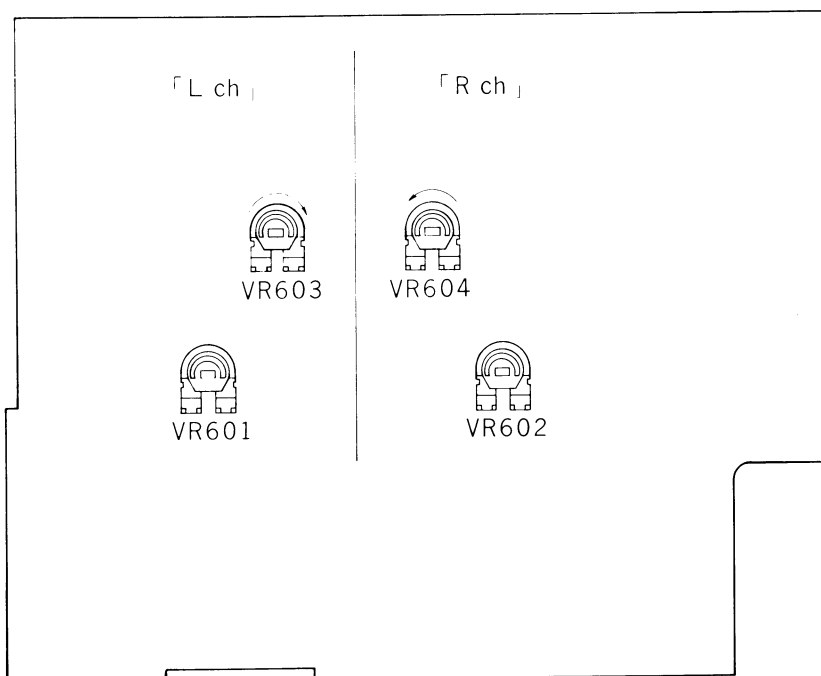
Precaution : Allow the set to warm up at least 5 minutes before connecting DC VTVM.

1. Center Voltage

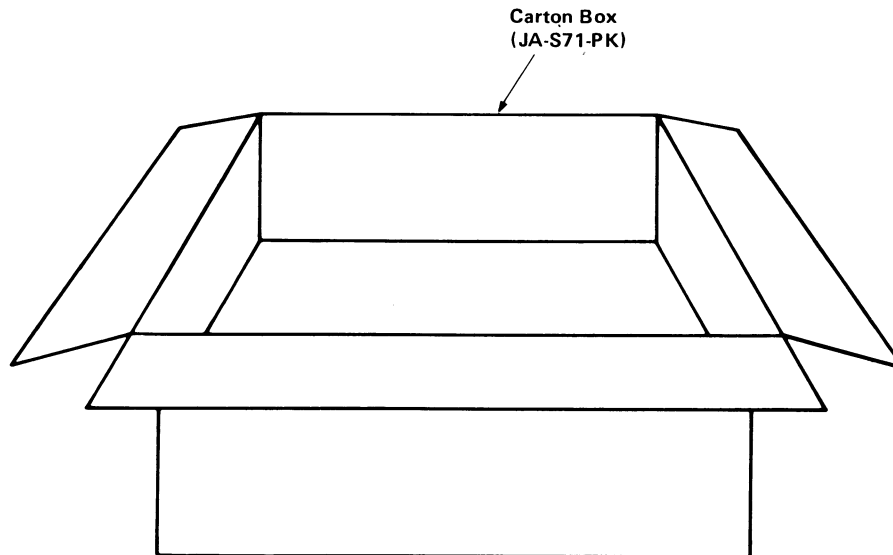
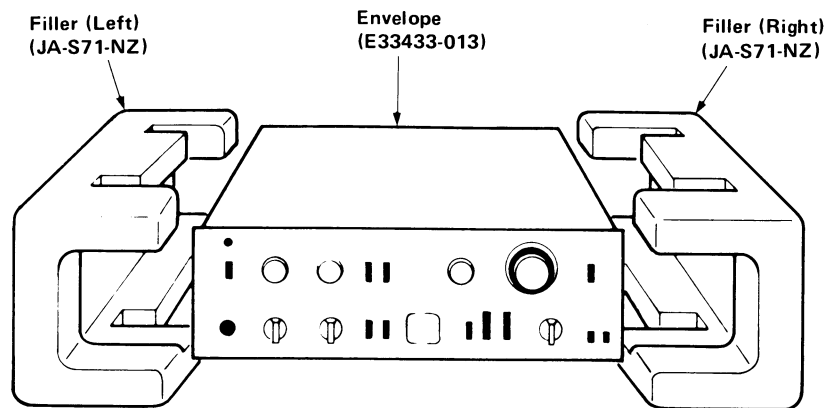
- 1) Turn VR601 (VR602) to middle point before turning on the power switch.
- 2) Connect the VTVM (D.C.) probe to the positive pole of the output terminal, and connect the VTVM (D.C.) ground lead to the chassis.
(It is better to use a dual polarity center meter type voltage meter.)
- 3) VTVM (D.C.) ought to indicate zero V. If VTVM (D.C.) does not indicate zero V, adjust VR601 (VR602) until the reading is zero V.
(Center voltage is measurable at the speaker terminal when the speaker relay is on.)

2. Idling Current

- 1) Turn VR603 (VR604) to minimum point as shown in Fig. 9 to avoid the power surge when power switch on.
- 2) Connect D.C. millivoltmeter across emitter resistor R653 (R654). Adjust VR603 (VR604) so that the millivoltmeter reading is 10mV.
- 3) Check voltage of both ends of other emitter resistors R655, R656, R661, R662, R663 and R664 to confirm that the voltage of 4.7mV–18.8mV (10–40mA) is available at the power transistor.



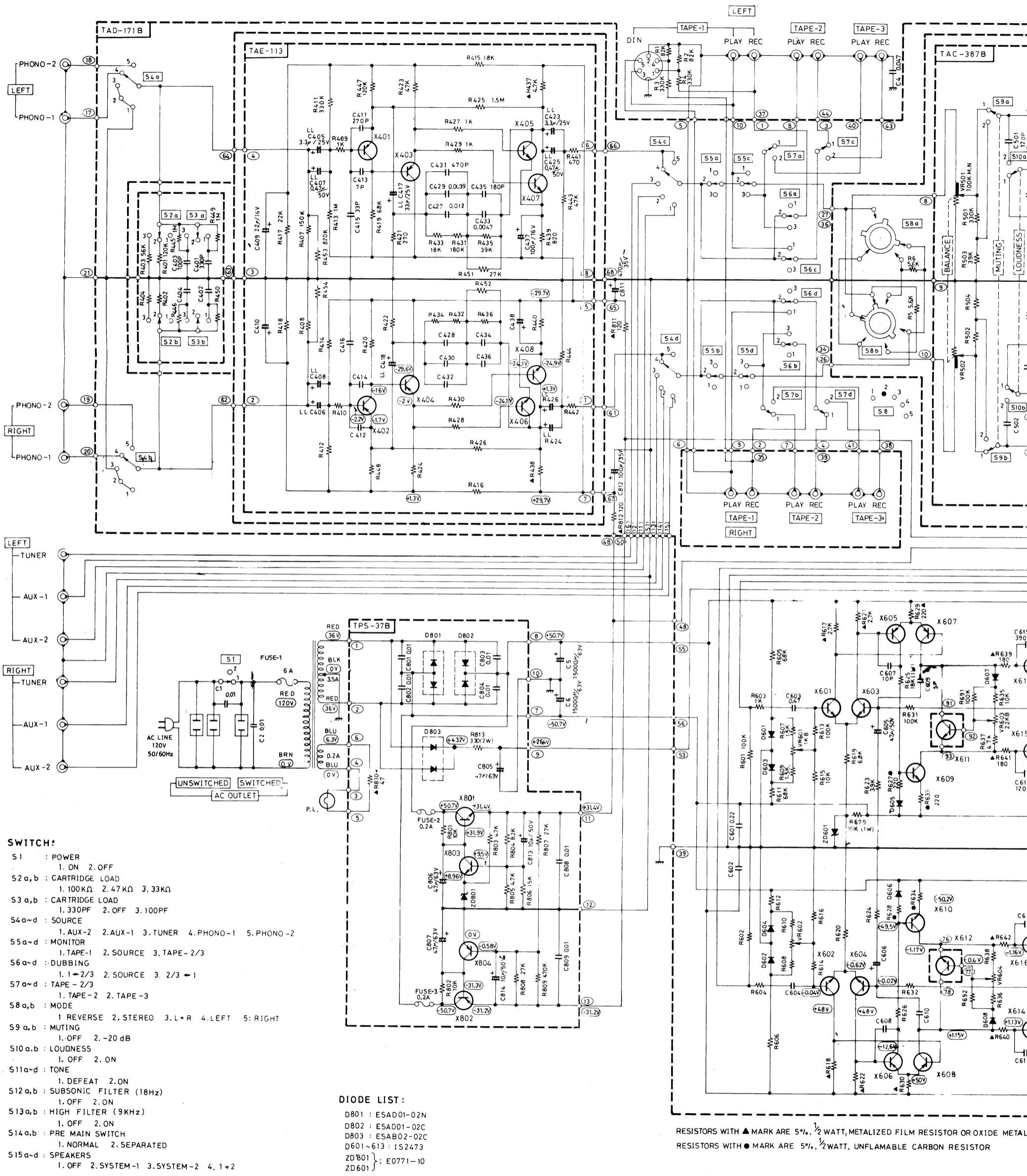
10. Packing Materials List



11. Accessories List

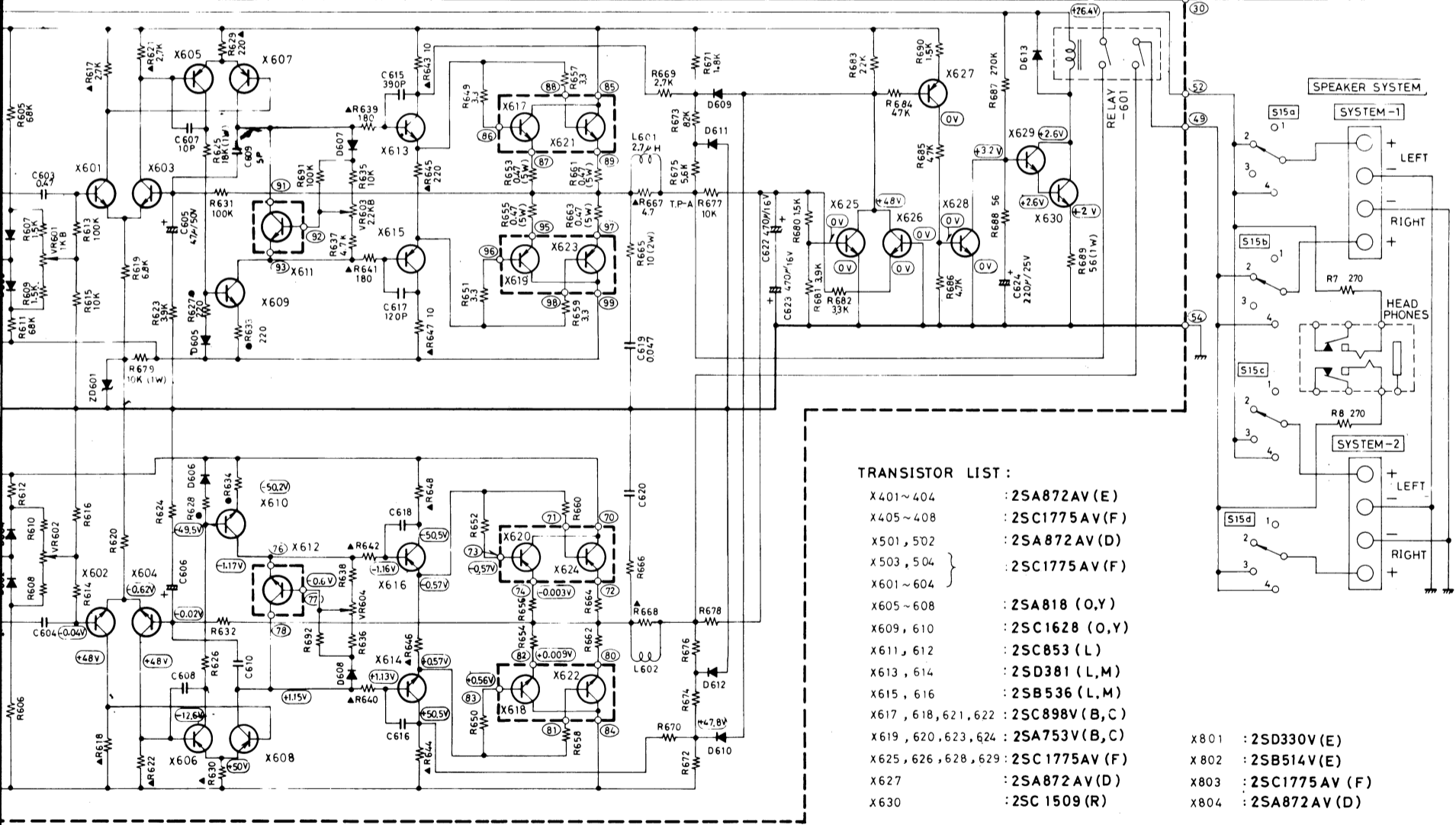
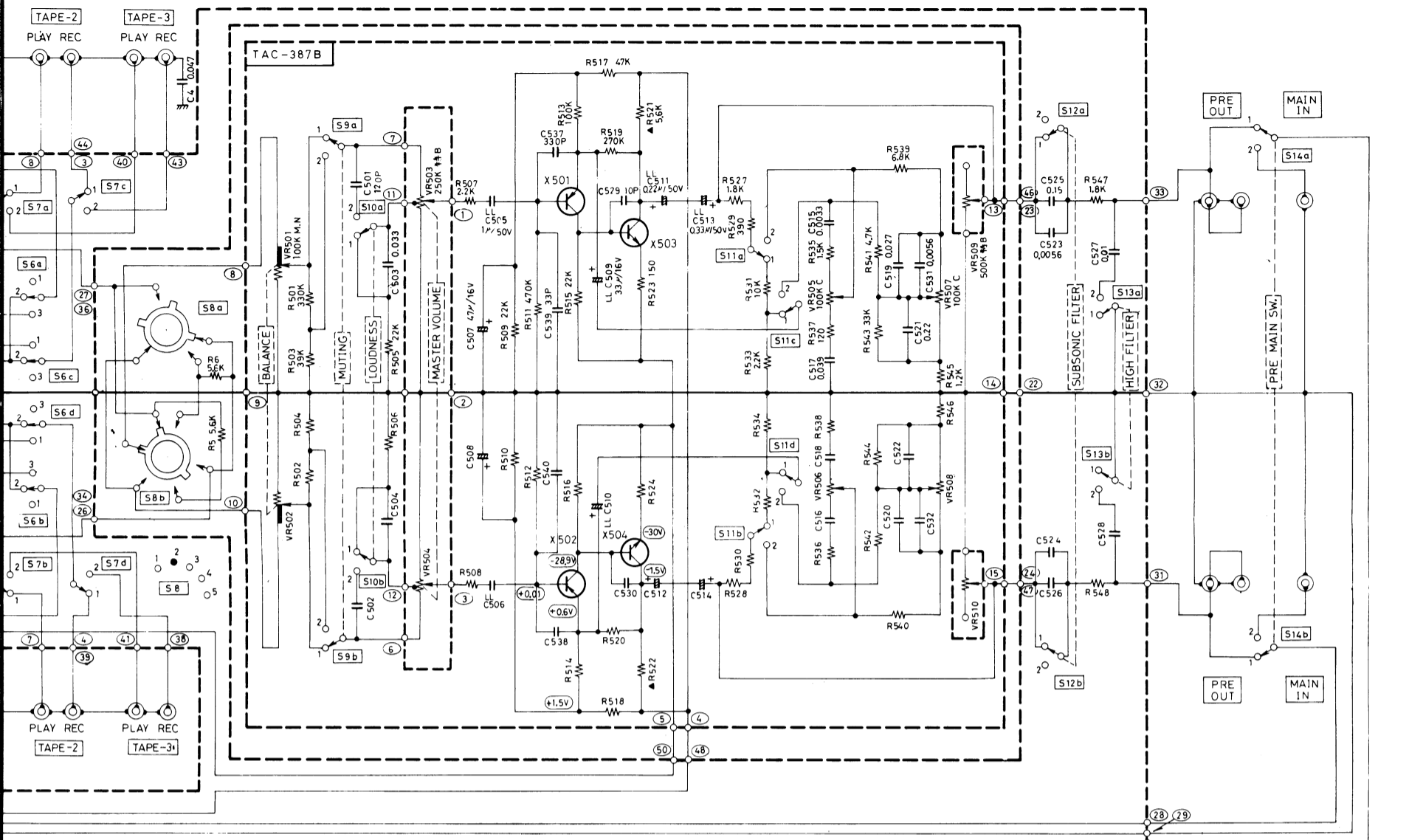
Part Number	Description	Q'ty
E30580-497A	Instruction Book	1
E64207-002	Envelope for Accessories	1
E34169-001	Term. Cover Ass'y	1
QPGA007-01003	Poly Bag	1
BT20020C	Warranty Card	1

12. Schematic Diagram



Circuit Board Ass'y Locations

C.B. Ass'y	Description	Page
TAE-113	Equalizer C.B. Ass'y	17
TAC-387B	Tone Control C.B. Ass'y	15
TAD-171B	Driver Amp. Protector C.B. Ass'y	9
TPS-37B	Power Supply C.B. Ass'y	19



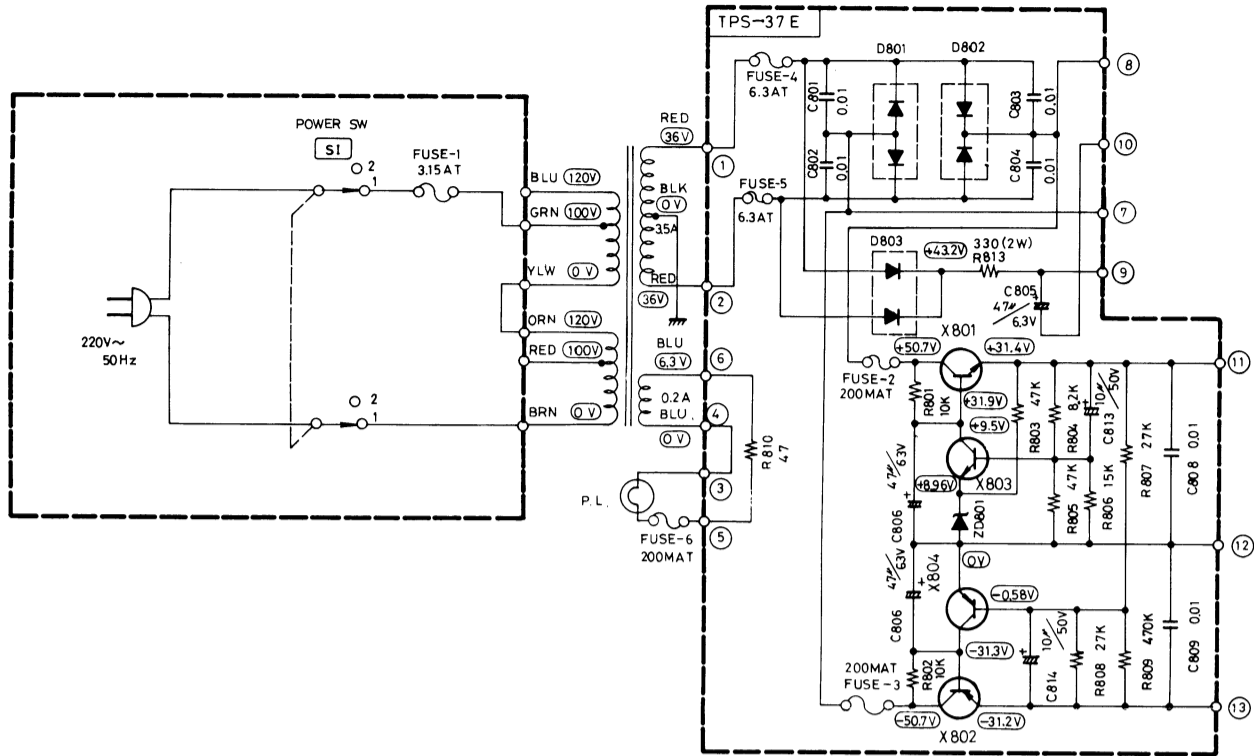
TRANSISTOR LIST :

- X401~404 : 2SA872AV (E)
- X405~408 : 2SC1775AV (F)
- X501, 502 : 2SA872AV (D)
- X503, 504 : 2SC1775AV (F)
- X601~604 : 2SA818 (O,Y)
- X605~608 : 2SA1628 (O,Y)
- X609, 610 : 2SC853 (L)
- X611, 612 : 2SD381 (L,M)
- X613, 614 : 2SB536 (L,M)
- X615, 616 : 2SA753V (B,C)
- X617, 618, 621, 622 : 2SC898V (B,C)
- X619, 620, 623, 624 : 2SA1775AV (F)
- X625, 626, 628, 629 : 2SC1775AV (F)
- X627 : 2SC1509 (R)
- X630 : 2SA872AV (D)

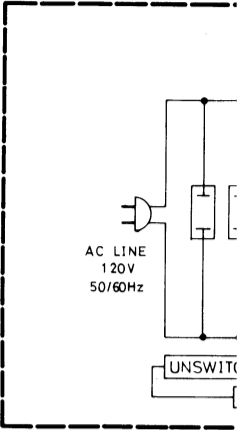
- X801 : 2SD330V (E)
- X802 : 2SB514V (E)
- X803 : 2SA872AV (F)
- X804 : 2SA872AV (D)

RESISTORS ARE 5%, 1/2 WATT, METALIZED FILM RESISTOR OR OXIDE METALIZED FILM RESISTOR
 RESISTORS ARE 5%, 1/2 WATT, UNFLAMMABLE CARBON RESISTOR

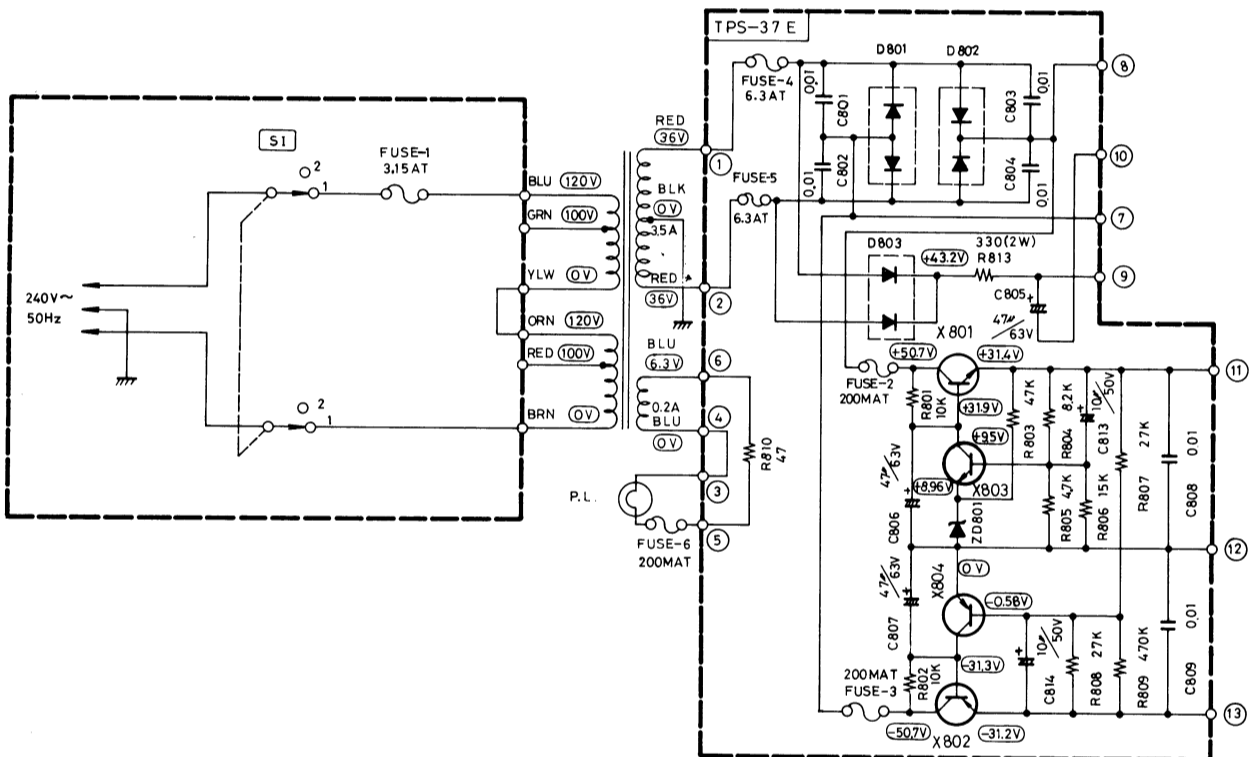
POWER SUPPLY CIRCUIT FOR 220V ONLY MODEL (E)



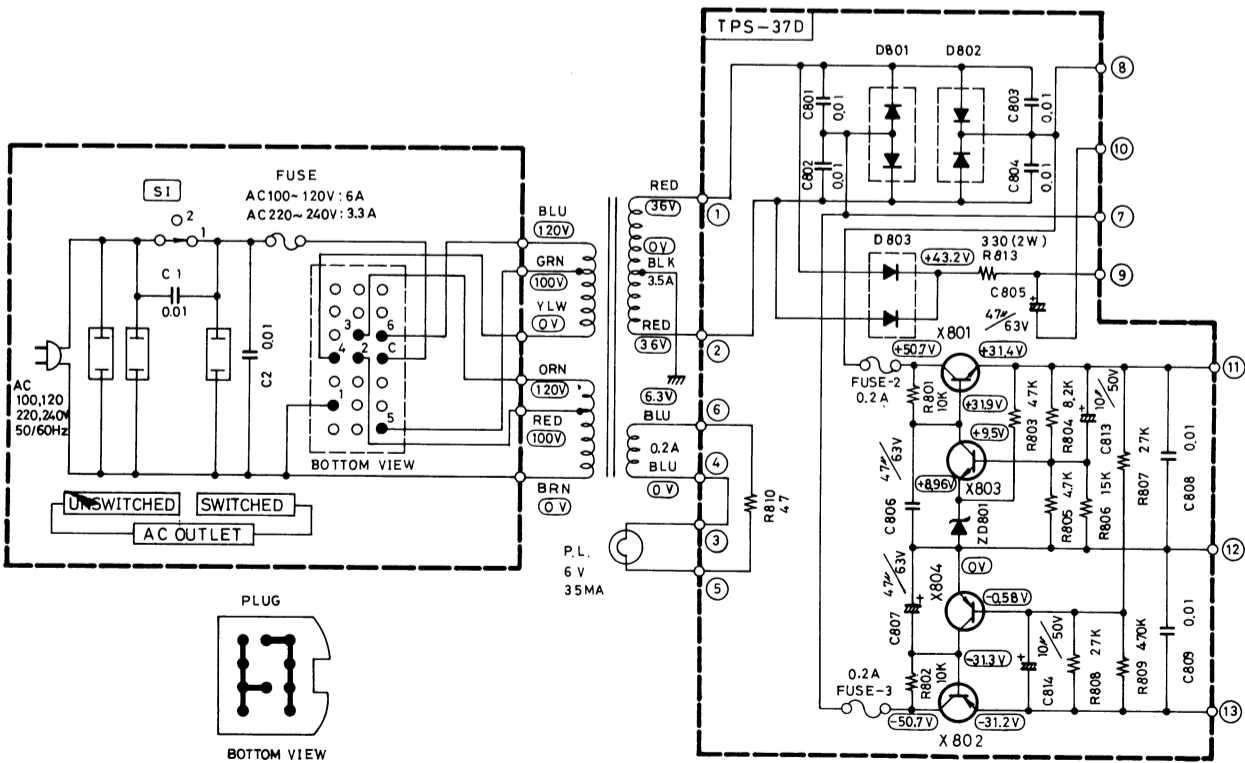
POWER SUPPLY CIRCUIT



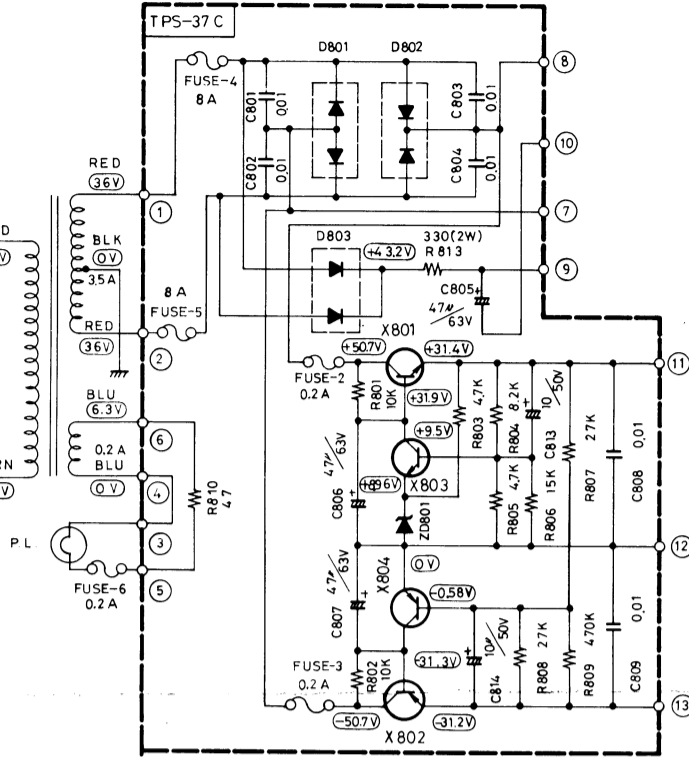
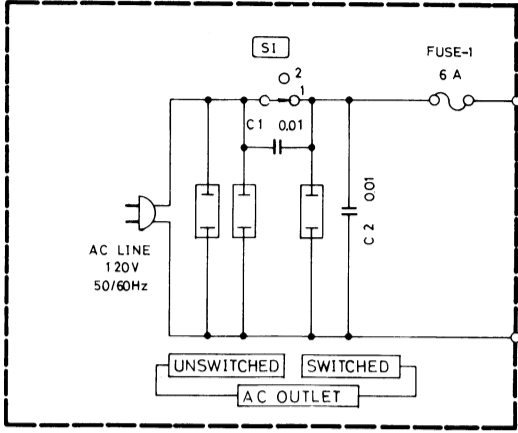
POWER SUPPLY CIRCUIT FOR 240V ONLY MODEL (A,B)



POWER SUPPLY CIRCUIT FOR 100V,120V,220V,240V, SELECTABLE MODEL (U,P,F)



POWER SUPPLY CIRCUIT FOR 120V ONLY MODEL (M)



13. Parts List with Specified Numbers for Designated Areas

Page	Item No.	Description	Original	For Europe Sweden Norway Finland Switzerland Denmark	For Australia	For Canada	For Other Countries
8	4	Power Trans	E03611-3B	E03611-3C	E03611-3C	E03611-3B	E03611-3C
6	21	Power Switch	QSL2220-002	QSL2220-003	QSL2220-003	QSL2220-002	QSL2220-002
19		Power Supply C.B. Ass'y	TPS-37B	TPS-37E	TPS-37E	TPS-37C	TPS-37D
7	1	Rear Panel	E10010-001	E10010-002	E10010-002	E10010-001	E10010-002
7	18	AC Socket	QMC0235-002	Not included	Not included	Not included	QMC0235-002
7	19	Power Cord	QMP1700-244	QMP3800-240 (Switzerland) E03544-001 (Sweden)	E03551-002	QMP1700-244	QMP1700-244
7	20	Cord Stopper	QHS4194-323	QHS3876-162	QHS6374-162	QHS4194-323	QHS4194-323
7	21	Fuse Board Holder	E47275-003	Not included	Not included	E47275-003	E47275-003
7	22	Fuse Board	QMG1121-006	QMG1321-002	QMG1321-002	QMG1121-006	QMG1121-006
8	25	Fuse (Primary)	QMF61M2-6R0	QMF51A2-3R15	QMF51A2-3R15	QMF60R1-6R0	QMF60R1-6R0 QMF60R1-3R3 (for AC 220V & AC 240V only)
8	26	Fuse (Secondary) 0.2A	QMF61M2-R20	QMF51A2-R20	QMF51A2-R20	QMF60R1-R20 QMF63R1-R20	QMF60R1-R20
		6.3A	Not included	QMF51A2-6R3	QMF51A2-6R3	Not included	Not included
		8.0A	Not included	Not included	Not included	QMF60S1-8R0	Not included
		Voltage Select Socket	Not included	Not included	Not included	Not included	E03676-002
		Voltage Select Plug	Not included	Not included	Not included	Not included	E03676-001
		Bracket (for primary fuse)	Not included	E60843-001	E60843-001	Not included	Not included
23		Warranty Card	BT20020C	Not included	Not included	BT20008	Not included
7	24	Spacer	E61160-001	Not included	Not included	Not included	Not included

Comparison Table for Line Voltage, Power Consumption, Primary Fuse by Areas

JA-S71	Line Voltage	Power Consumption
U.S.A.	AC 120V, 50/60Hz	380W
CANADA	AC 120V, 50/60Hz	380W, 470VA
AUSTRALIA	AC 240V, 50Hz	630W
SCANDINAVIA & SWITZERLAND	AC 220V, 50Hz	630W
OTHER AREAS	AC 100V/120V/220V/240V, 50/60Hz	630W