

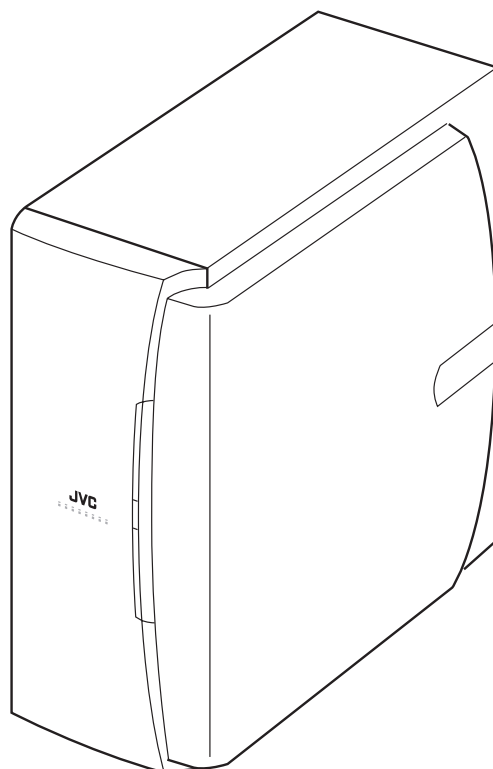
# JVC

## SCHEMATIC DIAGRAMS

### POWERED SUBWOOFER

## SP-DWF10

CD-ROM No.SML200406



#### Area suffix

J	-----	U.S.A.
A	-----	Australia
E	-----	Continental Europe
US	-----	Singapore
UF	-----	China
UP	-----	Korea
UT	-----	Taiwan
UX	-----	Saudi Arabia
UJ	-----	U.S.Military

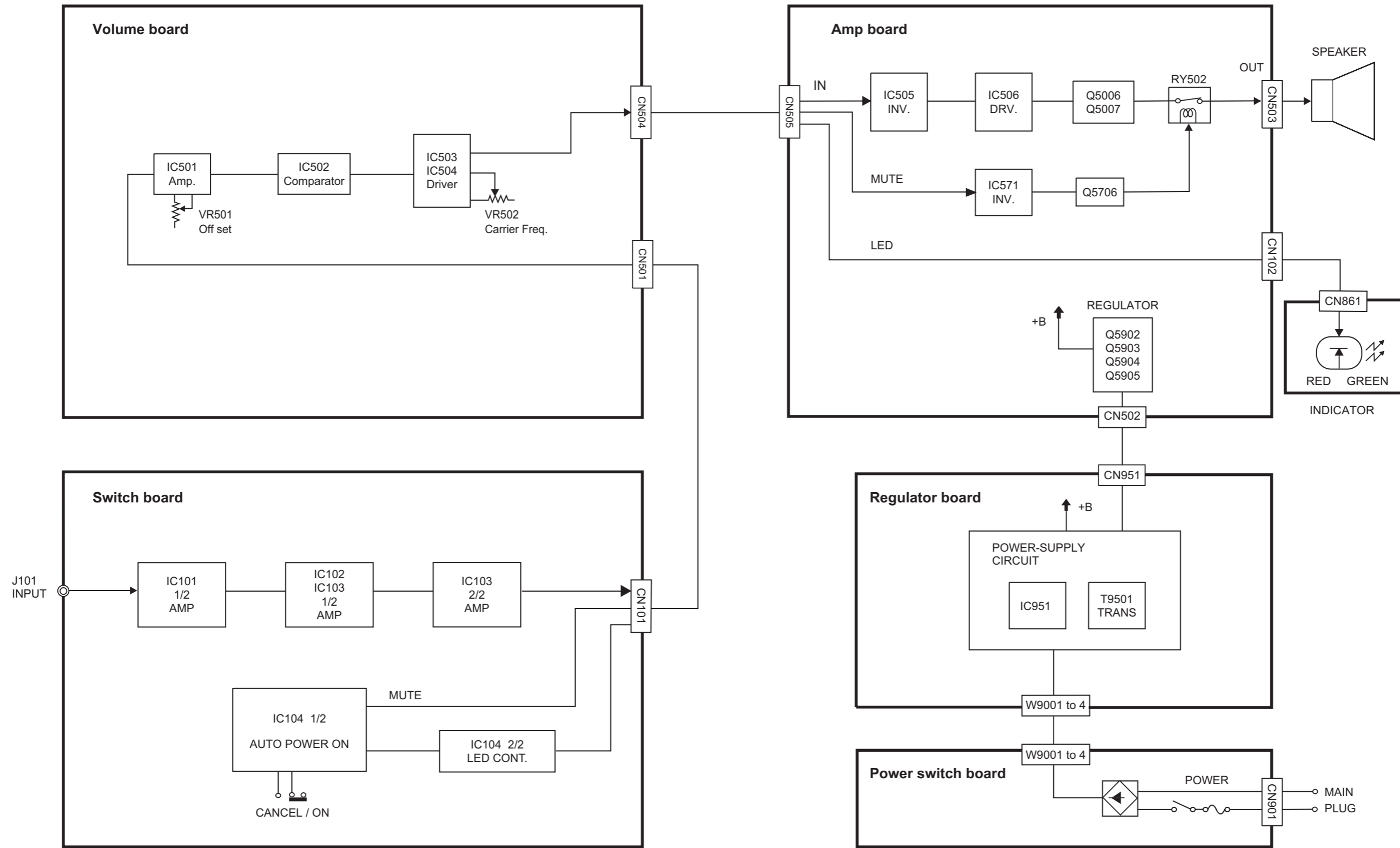
#### Contents

Block diagram	-----	2-1
Standard schematic diagram	-----	2-2
Printed circuit boards	-----	2-3 to 4

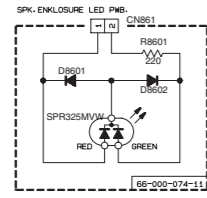
In regard with component parts appearing on the silk-screen printed side (parts side) of the PWB diagrams, the parts that are printed over with black such as the resistor (■), diode (⊣) and ICP (●) or identified by the "⚠" mark nearby are critical for safety.

(This regulation does not correspond to J and C version.)

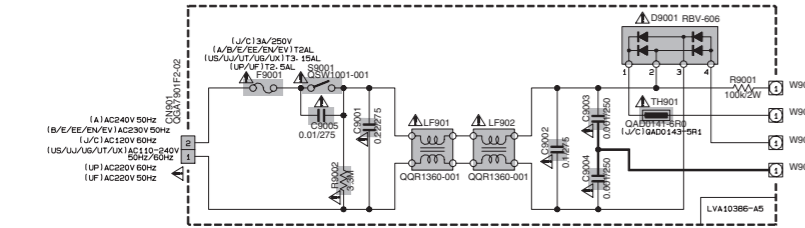
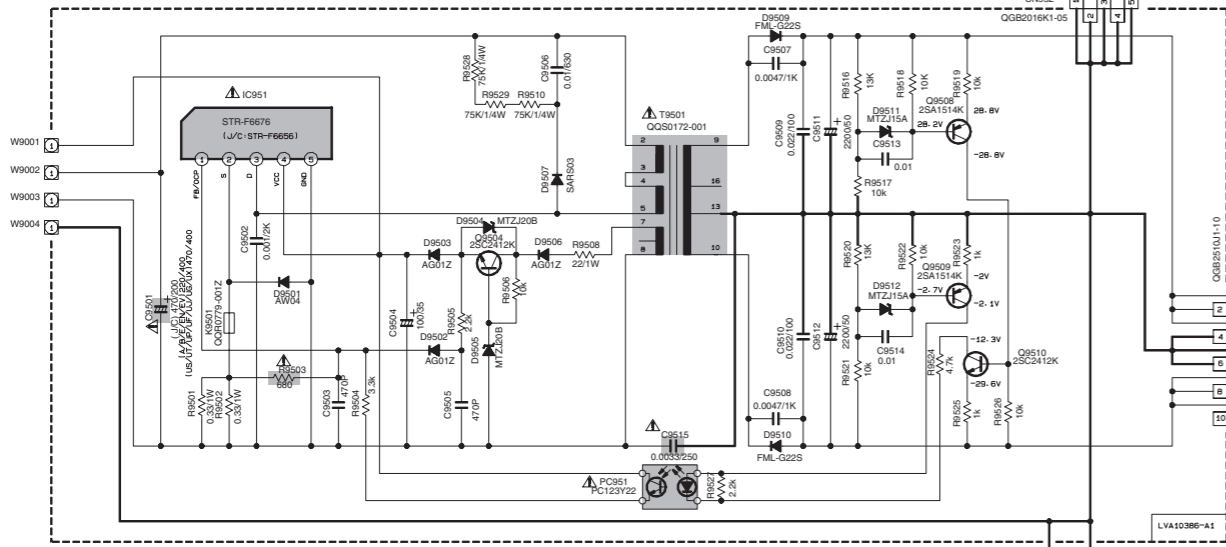
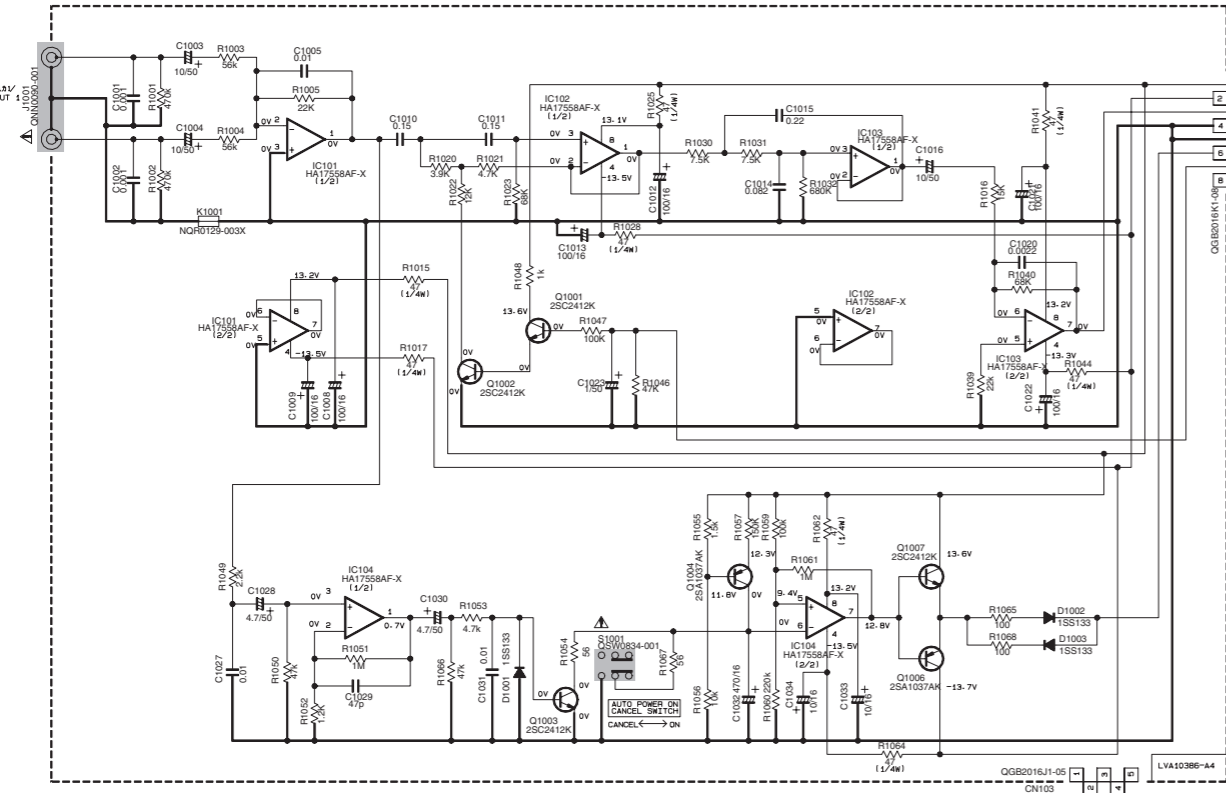
# Block diagram



# Standard schematic diagram



⚠ Parts are safety assurance parts.  
When replacing those parts make  
sure to use the specified one.



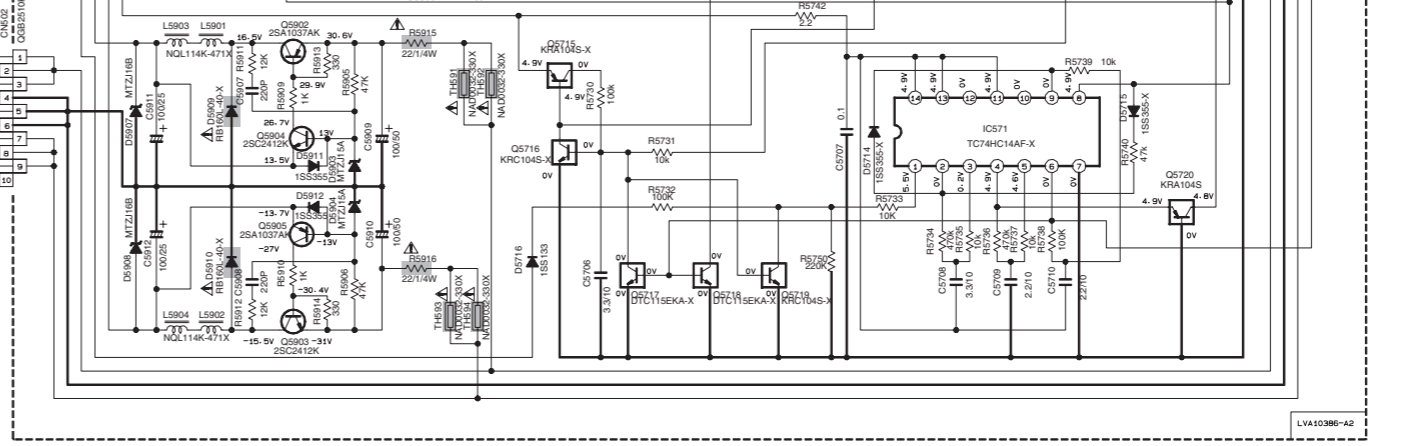
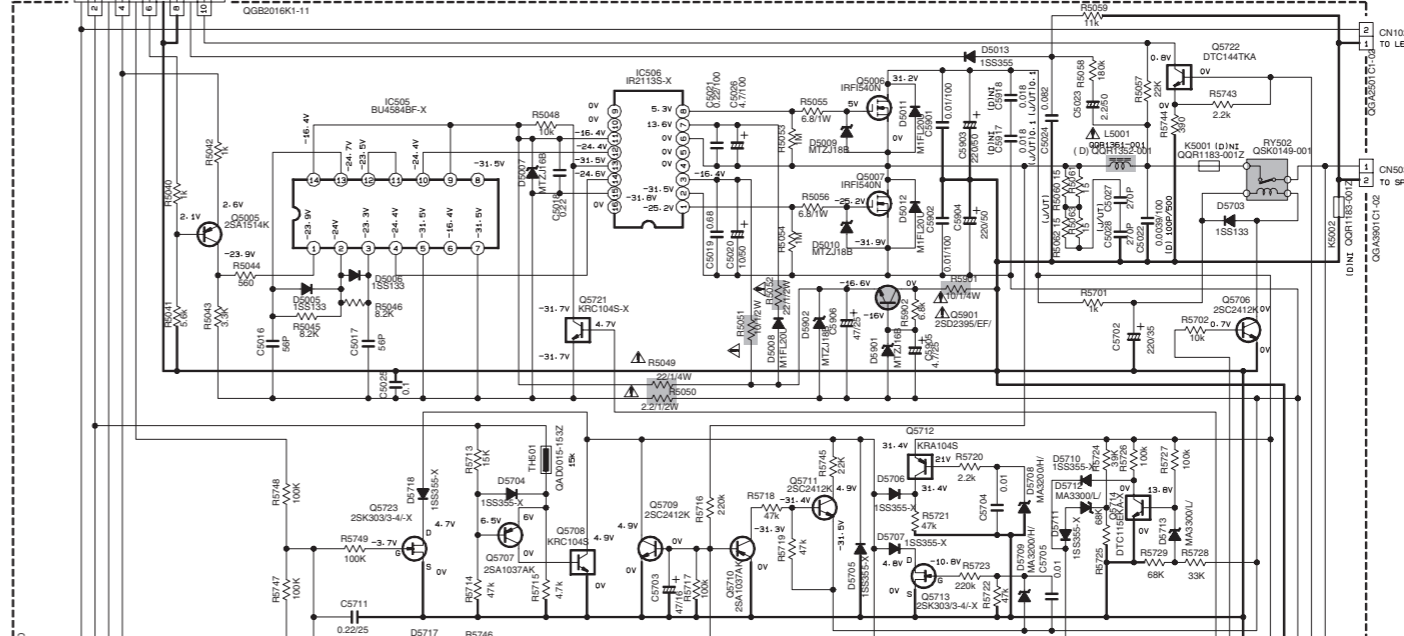
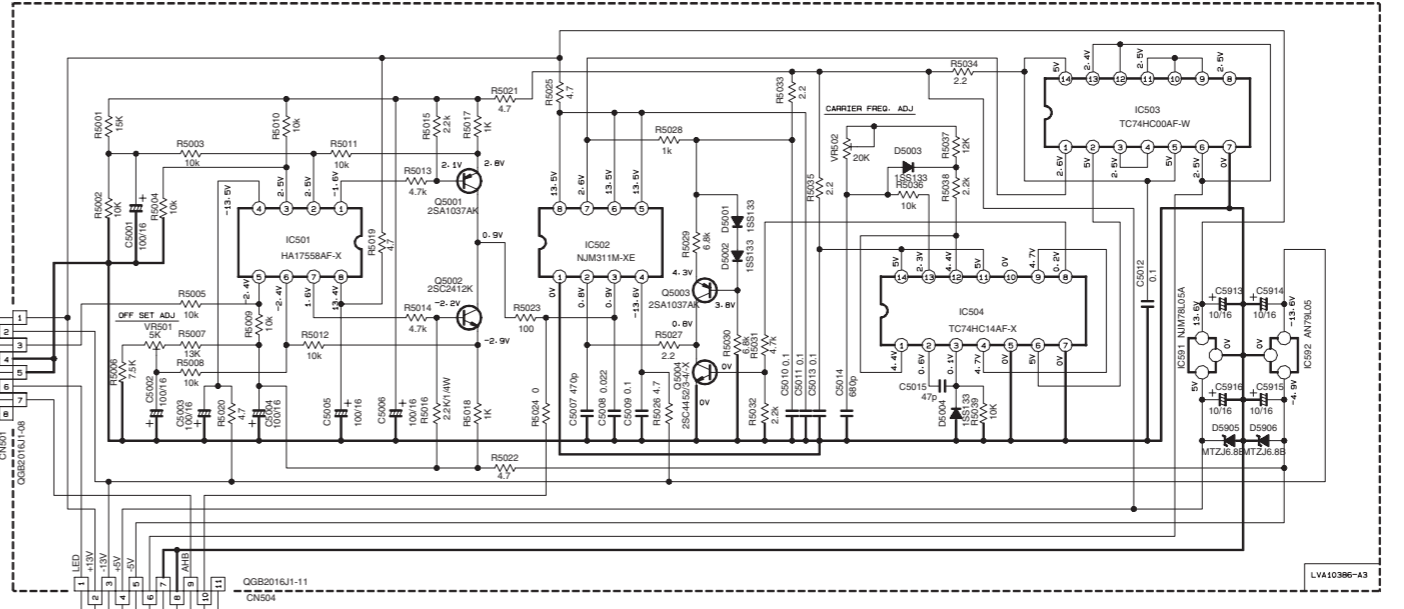
VERSION CODES

- (A) AUSTRALIA
- (J) USA
- (C) CANADA
- (B) U.K.
- (E) CONTINENTAL EUROPE
- (EE) RUSSIA
- (EN) NORDIC COUNTRIES
- (EV) EASTERN EUROPE
- (U) MILITARY
- (U1) TAIWAN
- (K) KOREA
- (F) CHINA
- (S) SINGAPORE AND UNIVERSAL EXCEPT ALL OF ABOVE
- (US) TURKEY/EGYPT/SOUTH AFRICA
- (X) SAUDI ARABIA

- NOTES
- VOLTAGES ARE DC-MEASURED WITH A DIGITAL VOLT METER OR OSCILLOSCOPE WITHOUT INPUT SIGNAL. CONDITION — POWER-ON-NO SIGNAL. AUTO POWER ON/CANCEL. CUT OFF FILTER-VARIABLE
  - UNLESS OTHERWISE SPECIFIED RESISTORS ARE 1/16W ±5% THICK FILM CHIP RESISTOR. ALL RESISTANCE VALUES ARE IN OHM(Ω). ALL CAPACITORS ARE CERAMIC CAPACITOR OR MYLAR CAPACITOR. ALL CAPACITANCE VALUES ARE IN nF(pF). ALL INDUCTANCE VALUES ARE IN mH(mH). ALL E-CAPACITORS ARE SHOWN IN THE FORM OF CAPACITANCE (μF)/RATED VOLTAGE (V).

TABLE1 DIGITAL TRANSISTOR

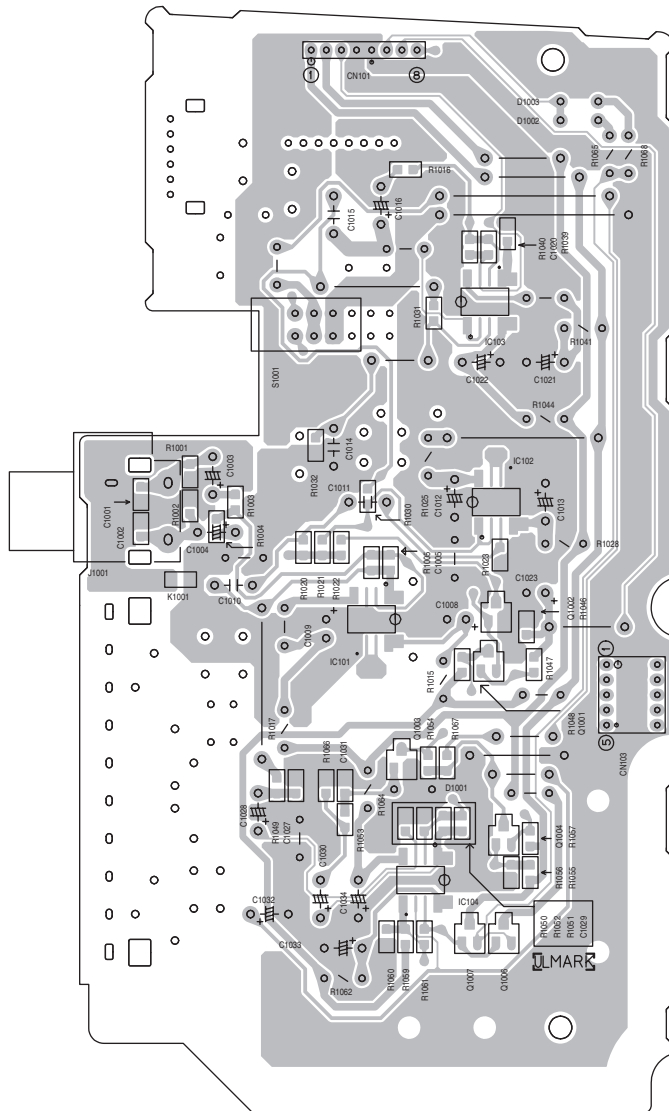
--	--	--	--



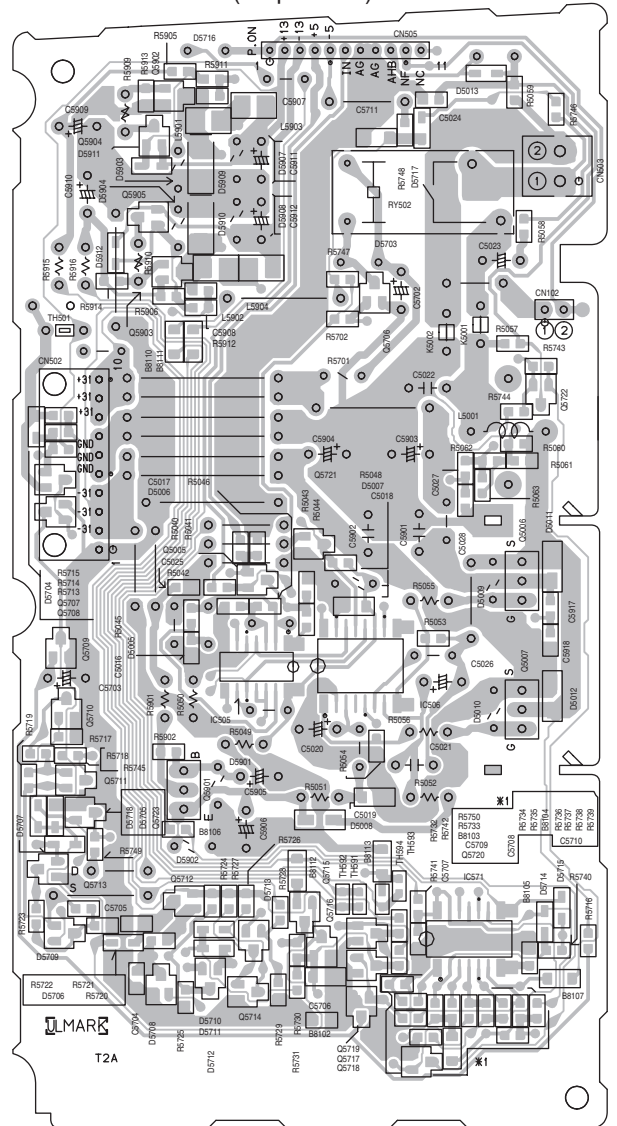
# Printed circuit boards

## ■ Main board

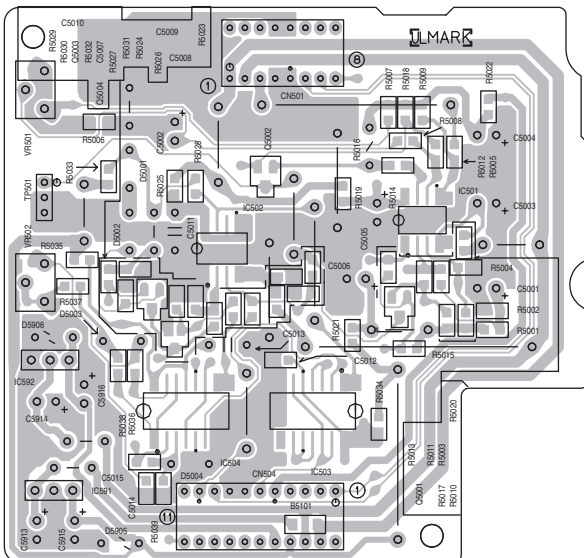
(Switch board)



(Amp. board)

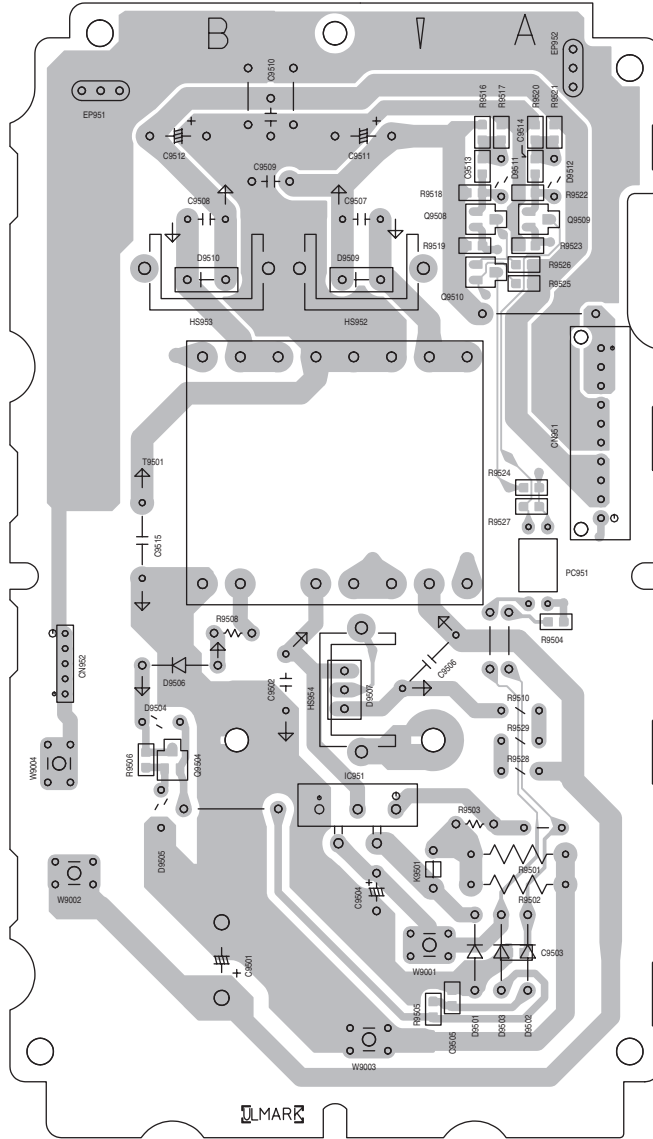


(Volume board)

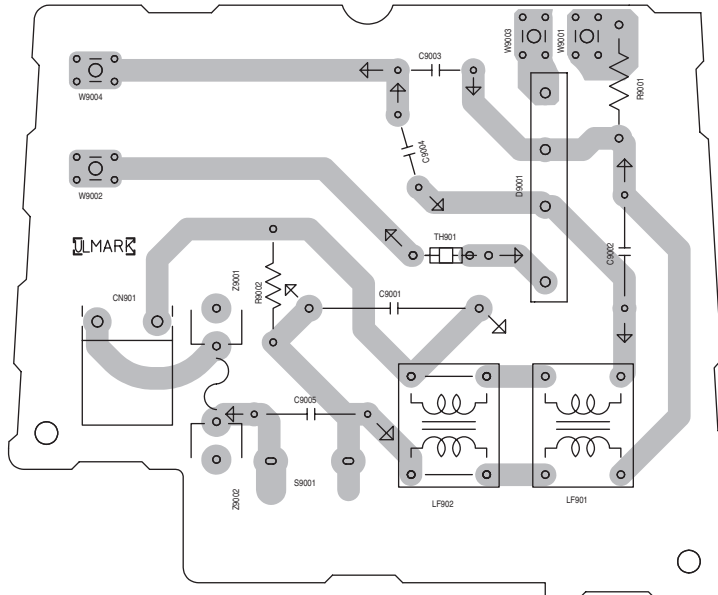


■ Main board

(Regulator board)



(Power switch board)



< MEMO >

**JVC**

Victor Company of Japan, Limited

AV & MULTIMEDIA COMPANY AUDIO/VIDEO SYSTEMS CATEGORY 10-1,1chome,Ohwatari-machi,Maebashi-city,371-8543,Japan

(No.MB251SCH)



Printed in Japan  
WPC