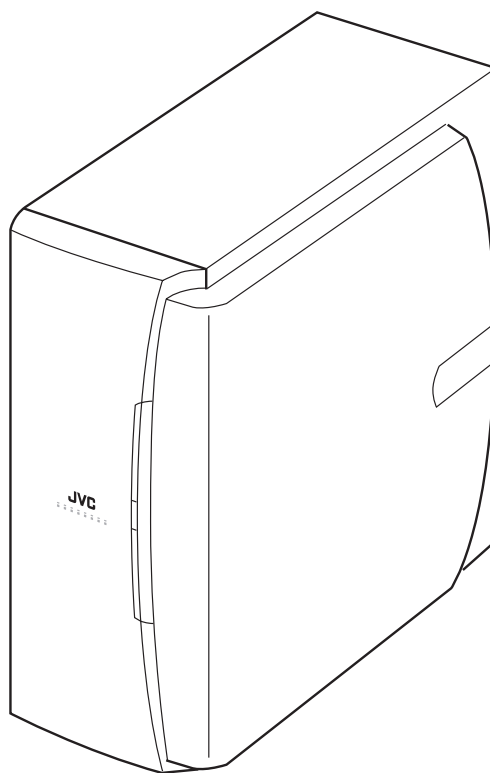


JVC

SERVICE MANUAL

POWERED SUB WOOFER

SP-DWF10



Area suffix

J	U.S.A.
A	Australia
E	Continental Europe
US	Singapore
UF	China
UP	Korea
UT	Taiwan
UX	Saudi Arabia
UJ	U.S.Military

TABLE OF CONTENTS

1	PRECAUTION	1-3
2	SPECIFIC SERVICE INSTRUCTIONS	1-5
3	DISASSEMBLY	1-6
4	ADJUSTMENT	1-9
5	TROUBLESHOOTING	1-10

SPECIFICATION

Type	Powered Subwoofer Bass-reflex type (magnetically shielded type)
Speaker	16.0 cm cone × 1 (6-5/16")
Frequency Range	32 Hz 200 Hz
Impedance	4 Ω
Input terminals	INPUT (LOW-LEVEL)
Power requirements	AC 120 V , 60 Hz
Output power of built-in amp	100 W (45 Hz, 4 Ω, 10 % THD)
Power Handling Capacity	25 W
Dimensions (W × H × D)	185 mm × 374 mm × 345 mm (7-5/16" × 14-3/4" × 13-5/8")
Mass	8.86 kg (19.6 lbs)

Design and specifications are subject to change without notice.

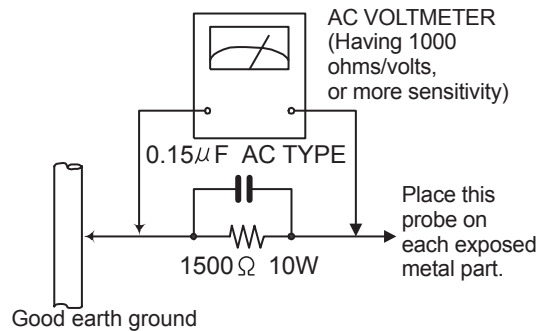
SECTION 1 PRECAUTION

1.1 Safety Precautions

- (1) This design of this product contains special hardware and many circuits and components specially for safety purposes. For continued protection, no changes should be made to the original design unless authorized in writing by the manufacturer. Replacement parts must be identical to those used in the original circuits. Services should be performed by qualified personnel only.
- (2) Alterations of the design or circuitry of the product should not be made. Any design alterations of the product should not be made. Any design alterations or additions will void the manufacturer's warranty and will further relieve the manufacturer of responsibility for personal injury or property damage resulting therefrom.
- (3) Many electrical and mechanical parts in the products have special safety-related characteristics. These characteristics are often not evident from visual inspection nor can the protection afforded by them necessarily be obtained by using replacement components rated for higher voltage, wattage, etc. Replacement parts which have these special safety characteristics are identified in the Parts List of Service Manual. Electrical components having such features are identified by shading on the schematics and by (Δ) on the Parts List in the Service Manual. The use of a substitute replacement which does not have the same safety characteristics as the recommended replacement parts shown in the Parts List of Service Manual may create shock, fire, or other hazards.
- (4) The leads in the products are routed and dressed with ties, clamps, tubings, barriers and the like to be separated from live parts, high temperature parts, moving parts and/or sharp edges for the prevention of electric shock and fire hazard. When service is required, the original lead routing and dress should be observed, and it should be confirmed that they have been returned to normal, after reassembling.
- (5) Leakage shock hazard testing
After reassembling the product, always perform an isolation check on the exposed metal parts of the product (antenna terminals, knobs, metal cabinet, screw heads, headphone jack, control shafts, etc.) to be sure the product is safe to operate without danger of electrical shock. Do not use a line isolation transformer during this check.
 - Plug the AC line cord directly into the AC outlet. Using a "Leakage Current Tester", measure the leakage current from each exposed metal part of the cabinet, particularly any exposed metal part having a return path to the chassis, to a known good earth ground. Any leakage current must not exceed 0.5mA AC (r.m.s.).
 - Alternate check method
Plug the AC line cord directly into the AC outlet. Use an AC voltmeter having, 1,000 Ω per volt or more sensitivity in the following manner. Connect a 1,500 Ω 10W resistor paralleled by a 0.15 μ F AC-type capacitor between an exposed metal part and a known good earth ground. Measure the AC voltage across the resistor with the AC

voltmeter.

Move the resistor connection to each exposed metal part, particularly any exposed metal part having a return path to the chassis, and measure the AC voltage across the resistor. Now, reverse the plug in the AC outlet and repeat each measurement. Voltage measured any must not exceed 0.75 V AC (r.m.s.). This corresponds to 0.5 mA AC (r.m.s.).



1.2 Warning

- (1) This equipment has been designed and manufactured to meet international safety standards.
- (2) It is the legal responsibility of the repairer to ensure that these safety standards are maintained.
- (3) Repairs must be made in accordance with the relevant safety standards.
- (4) It is essential that safety critical components are replaced by approved parts.
- (5) If mains voltage selector is provided, check setting for local voltage.

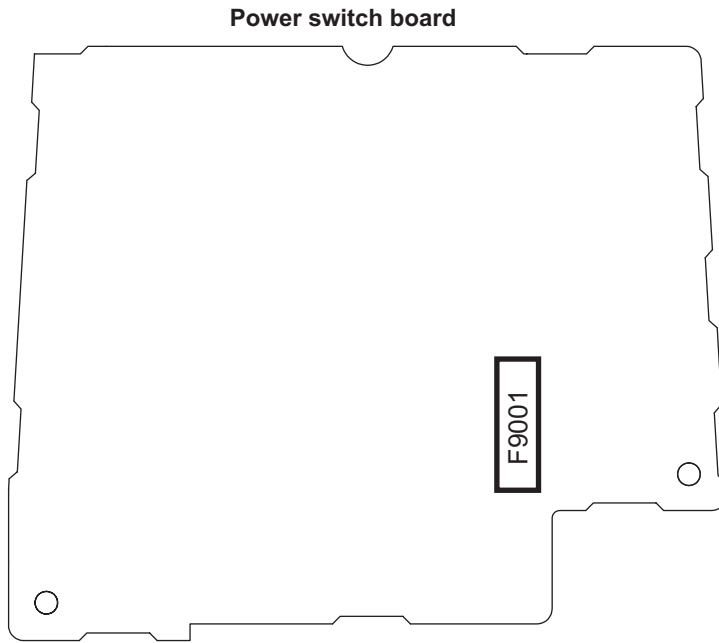
1.3 Caution

Burrs formed during molding may be left over on some parts of the chassis.
Therefore, pay attention to such burrs in the case of pre-forming repair of this system.

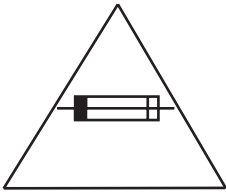
1.4 Critical parts for safety

In regard with component parts appearing on the silk-screen printed side (parts side) of the PWB diagrams, the parts that are printed over with black such as the resistor (\blacksquare), diode (\blacksquare) and ICP (\bullet) or identified by the " Δ " mark nearby are critical for safety. When replacing them, be sure to use the parts of the same type and rating as specified by the manufacturer.
(This regulation does not Except the J and C version)

1.5 Importance administering point on the safety



For USA and Canada / pour Etats - Unis d' Amérique et Canada



Caution: For continued protection against risk of fire, replace only with same type 3 A/125 V for F901. This symbol specifies the type of fast operating fuse.

Precaution: Pour la protection continue contre les risques d'incendie, remplacer uniquement par le meme type: fusible 3 A/125 V pour les F901. Cê symbole specifie le type de fusible a action rapide.

SECTION 2
SPECIFIC SERVICE INSTRUCTIONS

This service manual does not describe SPECIFIC SERVICE INSTRUCTIONS.

SECTION 3 DISASSEMBLY

3.1 Removing the Amplifier assembly (See Figs.1 and 2)

- (1) From the back side of the main body, remove the eleven screws **A** attaching the amplifier assembly. (See Fig.1.)
- (2) Take out the amplifier assembly from the main body.
- (3) Disconnect the wire connector from the back side of the amplifier assembly. (See Fig. 2.)
- (4) Disconnect the speaker wire from the speaker terminal. (See Fig.2.)

3.2 Removing the back panel (See Figs.1 to 3)

- (1) From the back side of the main body, remove the eleven screws **A** attaching the amplifier assembly. (See Fig.1.)

Reference:

Remove the amplifier assembly from the main body as required. (See Fig.2.)

- (2) Remove the five screws **B** attaching the back panel. (See Fig.3.)

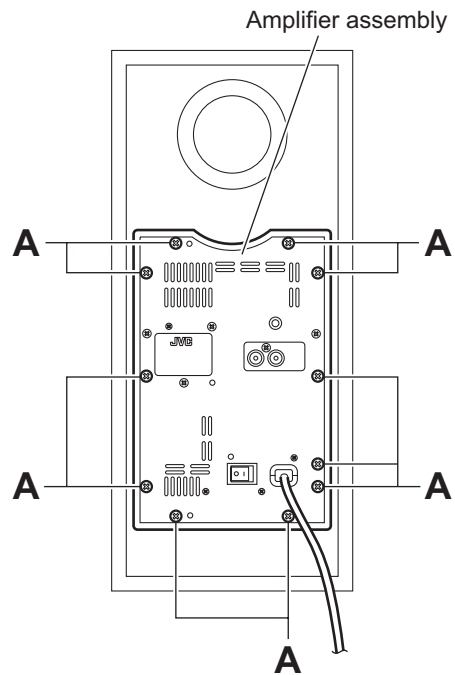


Fig.1

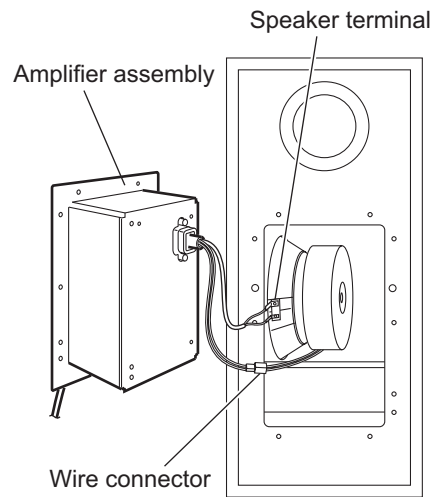


Fig.2

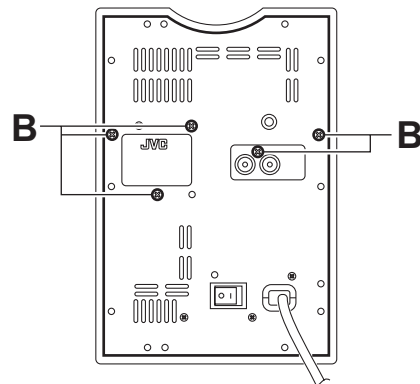


Fig.3

3.3 Removing the power cord (See Figs.4 and 5)

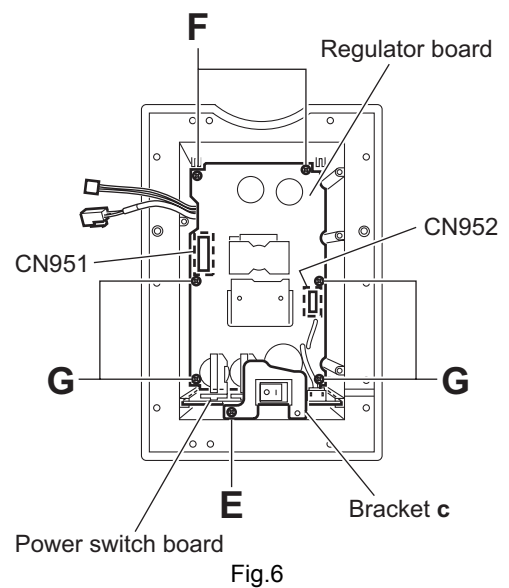
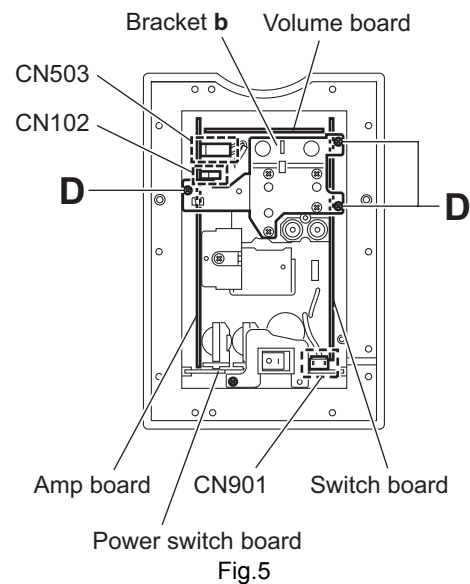
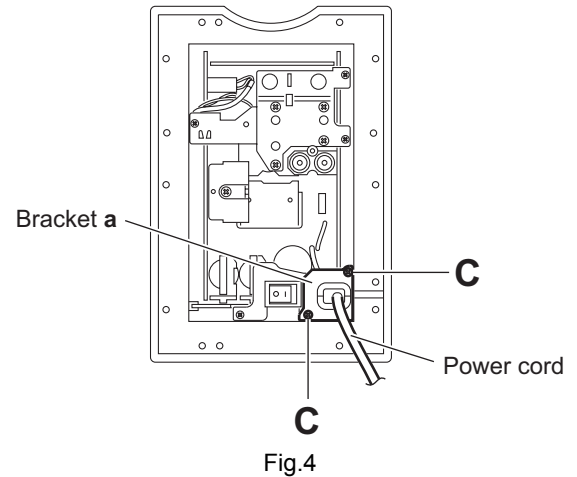
- Prior to performing the following procedures, remove the back panel.
- (1) Remove the two screws **C** attaching the bracket **a**. (See Fig.4.)
- (2) Pull out the bracket **a** toward you.
- (3) Disconnect the power cord from the connector **CN901** on the power switch board. (See Fig.5.)

3.4 Removing the amplifier board assembly (Amp board, volume board, switch board) (See Figs.5 and 6)

- Prior to performing the following procedures, remove the back panel and the power cord.
- Remove the amplifier assembly from the main body as required. (See Figs.1 and 2.)
- (1) Remove the three screws **D** attaching the bracket **b**. (See Fig 5.)
- (2) Disconnect the wire from the connectors **CN102** and **CN503** on the amp board. (See Fig.5.)
- (3) Remove the amplifier board assembly from the connectors **CN951** and **CN952** on the regulator board. (See Fig.6.)
- (4) Take out the amplifier board assembly.

3.5 Removing the power supply board assembly (Regulator board, power switch board) (See Fig.6)

- Prior to performing the following procedures, remove the back panel, power cord and amplifier board assembly.
- Remove the amplifier assembly from the main body as required. (See Figs.1 and 2.)
- (1) Remove the screw **E** attaching the bracket **c**. (See Fig.6.)
- (2) Remove the two screws **F** and four screws **G** attaching the regulator board.
- (3) Take out the power supply board assembly.



3.6 Removing the net assembly (See Fig 7)

- (1) From side of the main body, insert the tip of the flat-bladed screwdriver or similar tool into the space between the main body and net assembly, and lift the net assembly little by little to remove. (See Fig 7)

Note:

To prevent damaging the net assembly and main body, insert cushioning plates etc. and below the tip of the flat-bladed screwdriver or similar tool.

From right side of the main body, release the eight joints **d**, and take out the net assembly from the main body. (See Fig 7)

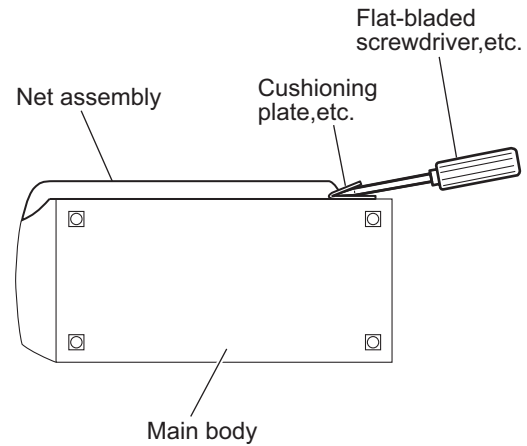


Fig.7

3.7 Removing the speaker. (See Fig 8 and Fig 9)

- Prior to performing the following procedures, remove the net assembly.
 - (1) Remove the six screws **H** attaching the speaker. (Fig 8)
 - (2) Take out the speaker from the main body.
 - (3) Disconnect the wires from the terminal of the speaker. (See Fig 9)

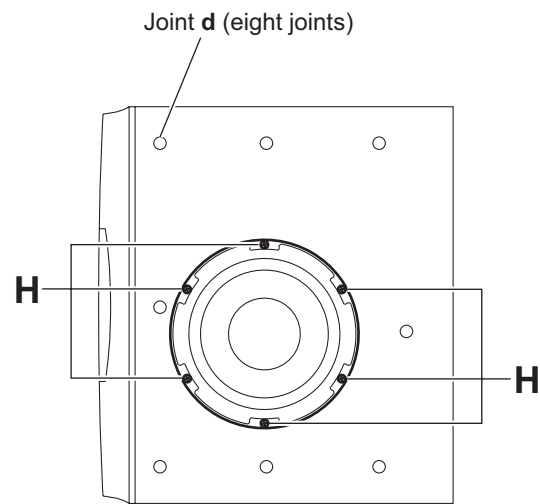


Fig.8

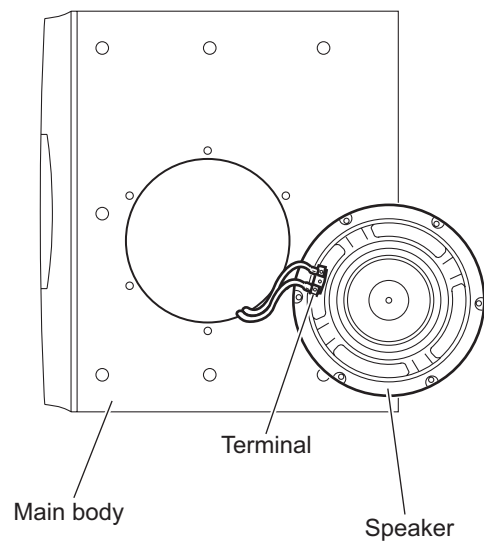


Fig.9

SECTION 4 ADJUSTMENT

This service manual does not describe ADJUSTMENT.

SECTION 5 TROUBLESHOOTING

This service manual does not describe TROUBLESHOOTING.



JVC

Victor Company of Japan, Limited
AV & MULTIMEDIA COMPANY AUDIO/VIDEO SYSTEMS CATEGORY 10-1,1chome,Ohwatari-machi,Maebashi-city,371-8543,Japan

(No.MB251)