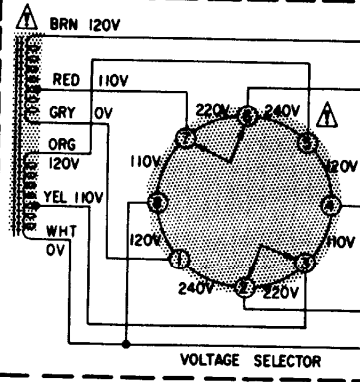


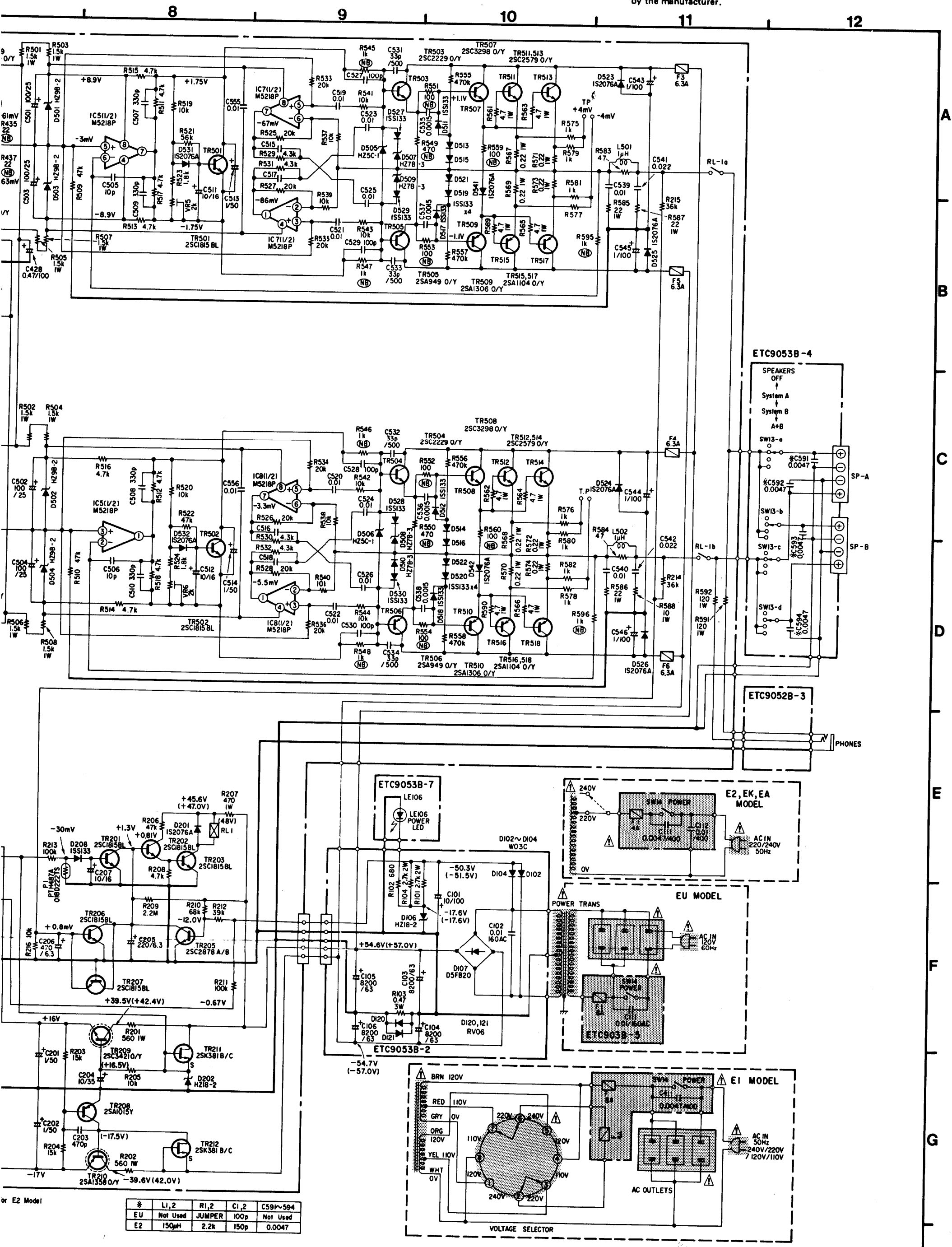
() : Voltage Value are For E2 Model

	LI,2	RI,2	CI,2	C59~594
E1	Not Used	JUMPER	100p	Not Used
E2	150µH	2.2k	150p	0.0047



NOTES:
ALL RESISTANCE VAL
ALL CAPACITANCE VAL
EVERY VOLTAGES AN
CIRCUIT AND PARTS AP

⚠ Means important safety item, which must be replaced, when necessary, by a part specified or meeting the specification by the manufacturer.

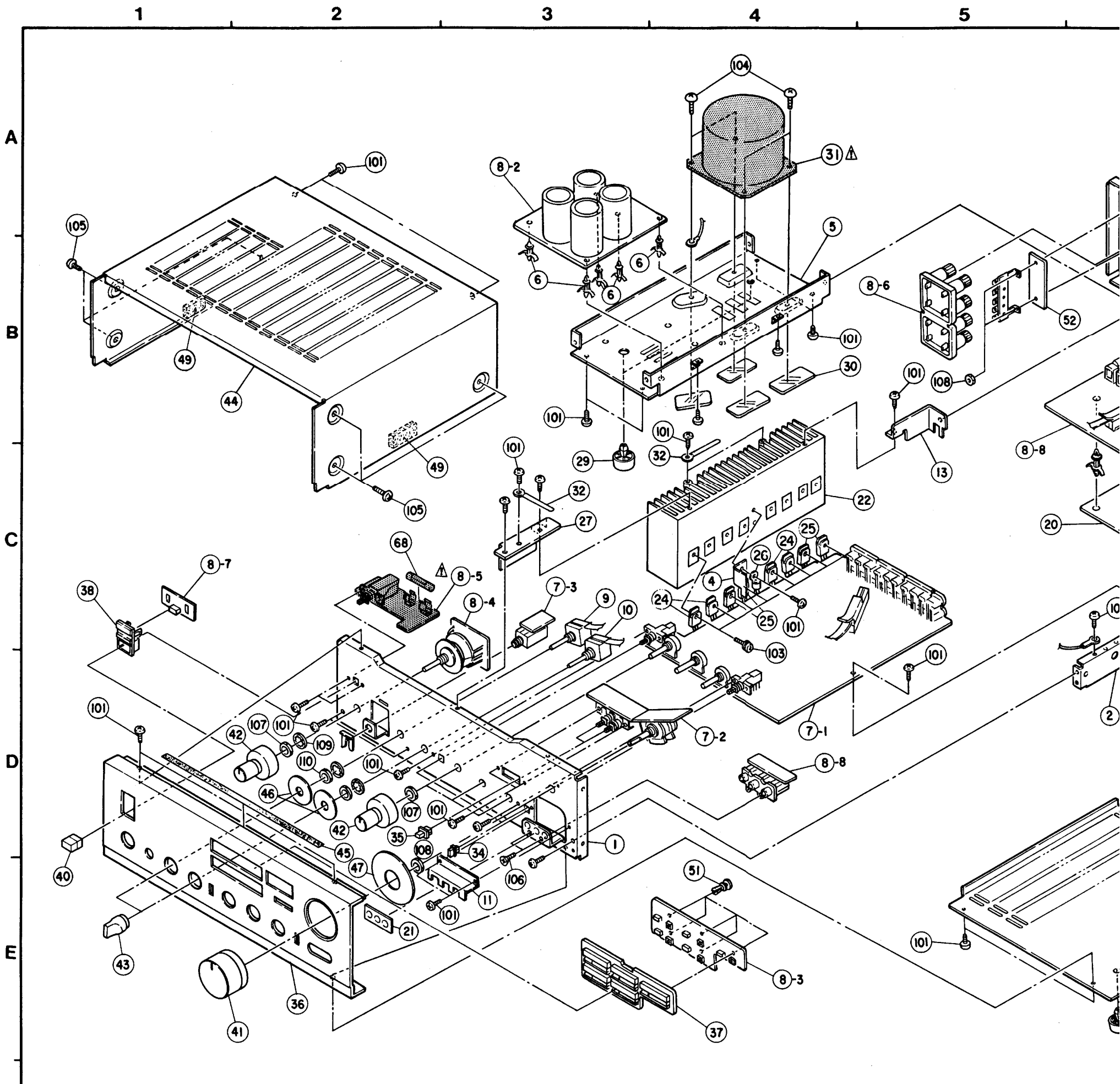


or E2 Model

	L1,2	RI,2	CI,2	C591~594
EU	Not Used	JUMPER	100p	Not Used
E2	150µH	2.2k	150p	0.0047

NOTES:
 ALL RESISTANCE VALUES IN OHM, K = 1,000 OHM, M = 1,000,000 OHM.
 ALL CAPACITANCE VALUES IN MICROFARAD, P - MICRO-MICRO FARAD.
 EVERY VOLTAGES AND CURRENTS IS MEASURED AT NO SIGNAL INPUT CONDITION.
 CIRCUIT AND PARTS ARE SUBJECT TO CHANGE WITHOUT PRIOR NOTICE.

EXPLODED VIEW OF CHASSIS AND CABINET
(This figure is specifications of E2.)

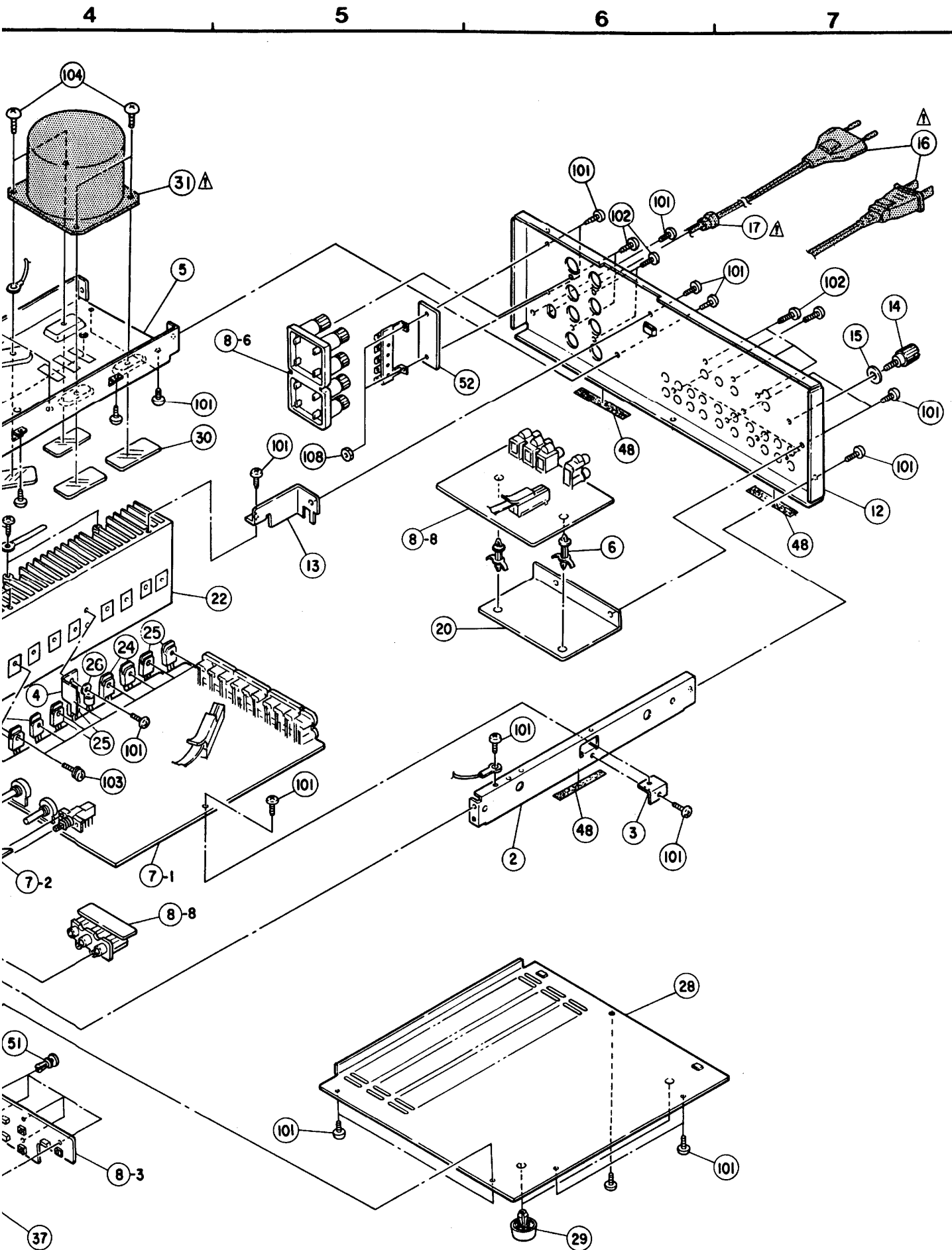


Note 1. See addendum list right for the parts with asterisk (*) on the Ref. No. and the other parts not included in the list.
 2. * marked not included EXPLODED VIEW OF CHASSIS AND CABINET.
 3. This list is prepared based on E2 BLACK VERSION.

EXPLODED VIEW OF PARTS LIST for E2 BLACK VERSION

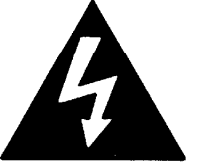
Ref. No.	Part No.	Part Name & Descriptions	Q'ty	Ref. No.	Part No.	Part Name & Descriptions	Q'ty	Ref. No.	Part No.	Part Name & Descriptions	Q'ty
1	4119019302	FRONT CHASSIS	1	27	4129039107	RADIATOR BRACKET	1	SCREWS, NUTS			
2	4119020207	SIDE CHASSIS	1	28	1059044100	BOTTOM COVER	1				
3	4129038001	P.W.B BRACKET	1	29	1049003009	FOOT	4	102	4737500044	TAPPING SCREW (P) BLACK 3x8	1
4	4129044008	BRACKET	1	30	4149017002	SAFETY PLATE	4	103	4700012022	CROSS PAN SCREW WITH SW, W 3x12	1
5	4129044008	TRANS CHASSIS	1	*31	2339541005	POWER TRANS	1	104	4737004016	TAPPING SCREW (S) 4x6	1
6	4150228000	P.C.B HOLDER	7	*32	4450048016	CORD HOLDER (L50)	3	**105	4737007000	TAPPING SCREW (S) BLACK 4x8	1
*7	ETC9052B	INPUT & POWER UNIT	1s	*33	4450033005	WIER CLAMP BAND	10	106	4737512003	TAPPING SCREW (P) BLACK 3x8	1
▲*8	ETC9053B	EQ & PS UNIT	1	**34	1139071006	PUSH KNOB (T)	2	107	4737006014	TAPPING SCREW (S) WITH WASHER 3x8	1
9	2123614009	ROTARY REMOTE SW (T. MONI)	1	**35	1139072005	PUSH KNOB (L)	2	108	4756006008	NUT M3	1
10	2123614012	ROTARY REMOTE SW (PHONO)	1	**36	1449026220	FRONT PANEL ASS'Y	1	PACKING & ACCESSORIES (not included EXPLODED VIEW)			
11	-	-	-	**37	1139073224	PUSH KNOB (F) ASS'Y	1				
*12	1059052105	BACK PANEL	1	**38	1469044101	KNOB GUIDE (P) ASS'Y	1	202	5059102006	POLY COVER	1
13	4129040002	BRACKET	1	39	-	-	1	203	5039123102	CUSHION	1
14	2050071016	TERMINAL ASS'Y	1	**40	1139070104	PUSH KNOB (P)	1	**204	5019122039	CARTON CASE	1
15	4770018001	WASHER (P-87)	1	**41	1129012004	VR KNOB ASS'Y	1	205	5119170004	INST. MANUAL	1
▲*16	2062002031	AC CORD	1	**42	1129013207	KNOB ASS'Y	4	**206	5139111014	COLOR LABEL (BLACK)	1
▲*17	4450020005	CORD BUSH (4K-4)	1	**43	1129014109	KNOB ASS'Y	2	207	5138295009	CONTROL CARD	1
18	-	-	-	**44	1029013310	TOP COVER	1				
▲19	2538010007	CERAMIC CAPACITOR 10.01μF 400V AC	1	45	1229006017	SPACER	1				
20	2129041001	P.W.B SUPPORT	1	46	1229007029	BLIND RING	2				
21	1469045100	BLIND SHEET	1	47	1229007032	BLIND RING	1				
22	4179012116	POWER RADIATOR	1	48	1229006033	SPACER	3				
23	4150234007	INSULATING SHEET	8	49	-	-	1				
24	2730232023	TRANSISTOR 2SC2579(O)/(Y) (TR511-514)	4	50	-	-	1				
25	2710130022	TRANSISTOR 2SA1104(O)/(Y) (TR515-518)	4	51	4770210016	PUSH RIVET	5				
26	2760289004	POSITIVE THERMISTOR PTH487A01BD222TS	1	52	4150088004	INSULATING SHEET	1				
				*53	2050089008	7P W. TERMINAL	1				
				54	1220114005	SPACER	2				

⚠ Means important safety item, which must be replaced, when necessary, by a part specified or meeting the specification by the manufacturer.



WARNING:

- Component parts**
Parts marked with ⚠ and/or shading in this : the specified parts for replacement.
- Leakage current**
Before returning the appliance to customer, test an error of not more than 5%) leakage current ground. Reverse the power plug polarity and test. Any current measured MUST NOT EXCEED 0.



CAUTION: SHOCK, DANGER TO USER SERVING TO QUALITY



The lightning flash is intended to alert the user of the presence of a "dangerous voltage" within the product that is likely to constitute a shock hazard.



The exclamation mark is intended to alert the user of the presence of important instructions in the manual.

WARNING: TO PREVENT SHOCK, DO NOT EXPOSE TO MOISTURE

ADDENDUM LIST

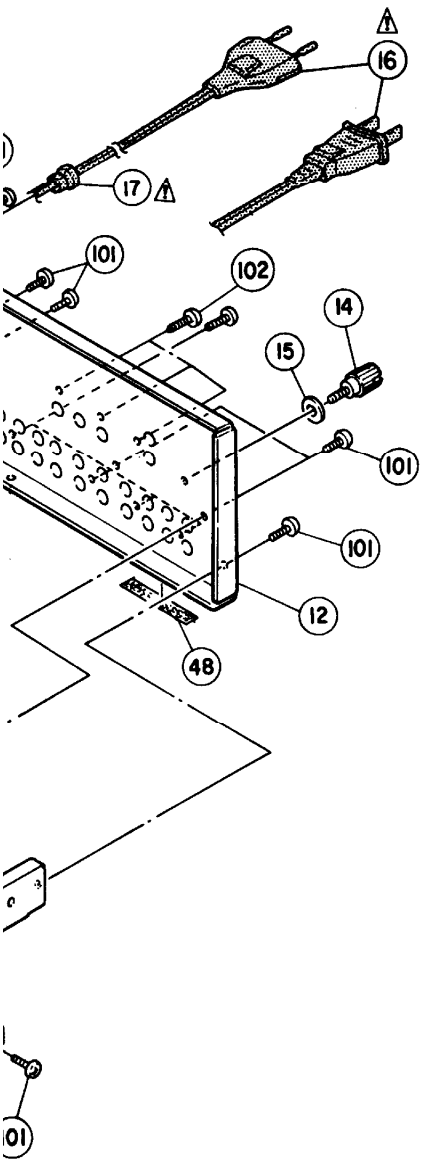
Ref. No.	Part Name & Descriptions
7	INPUT & POWER UNIT
⚠ 8	EQ. & P.S. UNIT
12	BACK PANEL
⚠ 16	AC CORD
⚠ 17	CORD BUSH
⚠ 31	POWER TRANS.
36	FRONT PANEL ASS'Y
37	PUSH KNOB (F) ASS'Y
52	INSULATING SHEET
53	7P W. TERMINAL
61	VOLTAGE LABEL
62	BLIND SHEET
63	EARTH LABEL
64	NOTICE SHEET
65	NOTICE SHEET
⚠ 66	AC OUTLET (POLARIZED)
⚠ 67	FUSE HOLDER
⚠ 68	FUSE (8A)
⚠ 69	VOLTAGE SEL SW
70	CAUTION SHEET
71	IMPORTANT LABEL
72	FUSE LABEL
73	LA APPROVAL MARK
74	DANGEROUS MARK
75	CSA LABEL
⚠ 76	POWER SWITCH
⚠ 77	CAPACITOR 100 μF/400V (AC)
101	TAPPING SCREW (S) 3x6 (BLACK)
107	TAPPING SCREW (S) WITH WASHER 3x8
108	NUT M3
111	φ3 TOOTH WASHER
112	3T LUG
113	φ4 TOOTH WASHER
114	TAPPING SCREW 4x16 (BLACK)
204	CARTON CASE
207	CONTROL CARD
211	CAUTION PAPER
212	WARRANTY IN ENVELOPE
213	SAFETY INSTRUCTION
214	COLOR LABEL (BLACK)

Parts with asterisk (*) on the Ref. No. and the other parts not included in the list. EXPLODED VIEW OF CHASSIS AND CABINET. BLACK VERSION.

GOLD VERSION PARTS LIST (Same as BLACK VERSION except the followings.)

Q'ty	Ref. No.	Part No.	Part Name & Descriptions	Q'ty	Ref. No.	Part No.	Part Name & Descriptions	Q'ty
SCREWS, NUTS								
1	101	4737002034	TAPPING SCREW (S) BLACK 3x6	44	34	1139071019	PUSH KNOB (T)	2
1	102	4737500044	TAPPING SCREW (P) BLACK 3x8	11	35	1139072021	PUSH KNOB (L)	2
4	103	4700012022	CROSS PAN SCREW WITH SW, W 3x12	8	36	1449033006	FRONT PANEL ASS'Y	1
3	104	4737004016	TAPPING SCREW (S) 4x6	4	37	1139073211	PUSH KNOB (F) ASS'Y	1
2	**105	4737007000	TAPPING SCREW (S) BLACK 4x8	6	38	1469044114	KNOB GUIDE (P) ASS'Y	1
2	106	4737512003	TAPPING SCREW (P) BLACK 3x8	2	40	1139070117	PUSH KNOB (P)	1
1	107	4737006014	TAPPING SCREW (S) WITH WASHER 3x8	2	41	1139012017	VR KNOB ASS'Y	1
1	108	4756006008	NUT M3	2	42	1129013210	KNOB ASS'Y	4
PACKING & ACCESSORIES (not included EXPLODED VIEW)								
1	201	5049102003	STYLEN PAPER	1	43	1129014112	KNOB ASS'Y	2
1	202	5059102006	POLY COVER	1	44	1029013336	TOP COVER	1
4	203	5039123102	CUSHION	2	105	4737014006	TAPPING SCREW(S) 4x8	6
1	**204	5019122039	CARTON CASE	1	204	5019122084	CARTON CASE	1
1	205	5119170004	INST. MANUAL	1	206	5139111001	COLOR LABEL (GOLD)	2
2	**206	5139111014	COLOR LABEL (BLACK)	2				
1	207	5138295009	CONTROL CARD	1				

Important safety item, which must be replaced,
part specified or meeting the specification



WARNING:

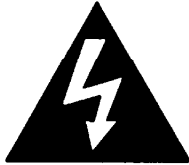
1. Component parts

Parts marked with ⚠ and/or shading in this service manual have special characteristics important to safety. Be sure to use the specified parts for replacement.

2. Leakage current

Before returning the appliance to customer, test the leakage current when the power plug is connected. Use a calibrated (with an error of not more than 5%) leakage current tester and measure the leakage current from any exposed metal to the earth ground. Reverse the power plug polarity and test the above again.

Any current measured MUST NOT EXCEED 0.5 milliamps. Corrective measure must be taken if it exceeds the limit.



CAUTION
RISK OF ELECTRIC SHOCK
DO NOT OPEN



CAUTION: TO REDUCE THE RISK OF ELECTRIC SHOCK, DO NOT REMOVE COVER (OR BACK). NO USER SERVICEABLE PARTS INSIDE. REFER SERVICING TO QUALIFIED SERVICE PERSONNEL.



The lightning flash with arrowhead symbol within an equilateral triangle is intended to alert the user of the presence of uninsulated "dangerous voltage" within the product's enclosure that may be of sufficient magnitude to constitute a risk of electric shock to persons.



The exclamation point within an equilateral triangle is intended to alert the user of the presence of important operating and maintenance (servicing) instructions in the literature accompanying the appliance.

WARNING: TO PREVENT FIRE OR SHOCK HAZARD, DO NOT EXPOSE THIS APPLIANCE TO RAIN OR MOISTURE.

ADDENDUM LIST

Ref. No.	Part Name & Descriptions	Part No.				
		E1/EP1 for Asia	EU for U.S.A.	EA for Australia	EK for U.K.	EC for Canada
7	INPUT & POWER UNIT	ETC9052D	ETC9052E	ETC9052F	ETC9052F	ETC9052L
▲ 8	EQ. & P.S. UNIT	ETC9053D	ETC9053E	ETC9053F	ETC9053F	ETC9053L
12	BACK PANEL	1059055005	1059042115	1059052105	1059052105	1059042115
▲ 16	AC CORD	2066031026	2062039004	2062012018	2062024006	2062039004
▲ 17	CORD BUSH	4450028007	4450020006	MD-2982H	4450020005	4450020005
▲ 31	POWER TRANS.	2339548000	2339539004	2339541006	2339541006	—
36	FRONT PANEL ASS'Y	1449026110	1449026110	1449026123	1449026123	1449026110
37	PUSH KNOB (F) ASS'Y	1139073101	1139073101	1139073224	1139073224	1139073101
52	INSULATING SHEET	—	—	4150088004	4150088004	—
53	7P W. TERMINAL	—	—	2050089008	2050089008	—
61	VOLTAGE LABEL	—	—	5130362008	5130362008	—
62	BLIND SHEET	—	—	5130348006	—	—
63	EARTH LABEL	—	—	5130140000	—	—
64	NOTICE SHEET	—	—	5130209006	—	—
65	NOTICE SHEET	—	—	5130210008	—	—
▲ 66	AC OUTLET (POLARIZED)	2033926007	2033926007	—	—	2033926007
▲ 67	FUSE HOLDER	2020013101(2)	2020013101(2)	—	—	2020013101
▲ 68	FUSE (8A)	2061046014	2061046014	—	—	2061046014
▲ 69	VOLTAGE SEL SW	2120186006	—	—	—	—
70	CAUTION SHEET	—	—	—	5130364006	—
71	IMPORTANT LABEL	—	—	—	5139133005	—
72	FUSE LABEL	—	5130607019	—	—	—
73	LA APPROVAL MARK	—	5138300004	—	—	—
74	DANGEROUS MARK	—	5138266009	—	—	—
75	CSA LABEL	—	(2)	—	—	5138311006
▲ 76	POWER SWITCH	2129534002	2129534002	—	—	2129534002
▲ 77	CAPACITOR 0.1μF/400V (AC)	2538003014 (0.047)	2538010007 (0.01)	—	—	2538010007 (0.01)
101	TAPPING SCREW (S) 3x6 (BLACK)	4737002034 (38)	4737002034 (36)	4737002034 (37)	4737002034 (36)	4737002034 (36)
107	TAPPING SCREW (S) WITH WASHER 3x8	—	—	4737006014 (2)	4737006014 (2)	—
108	NUT M3	—	—	4756006008 (2)	4756006008 (2)	—
111	φ3 TOOTH WASHER	—	—	4753001051 (1)	—	—
112	3T LUG	—	—	2050003107	—	—
113	φ4 TOOTH WASHER	—	—	4753100004 (6)	—	—
114	TAPPING SCREW 4x16 (BLACK)	4734453039	—	—	—	—
204	CARTON CASE	5019122039	5019116032	5019122039	5019122039	5019116032
207	CONTROL CARD	—	—	—	—	—
211	CAUTION PAPER	—	—	5130211007	—	—
212	WARRANTY IN ENVELOPE	—	5150349108	—	—	—
213	SAFETY INSTRUCTION	5158052206	—	—	—	—
214	COLOR LABEL (BLACK)	5139111014 (2)	5111041102 (2)	5139111014 (2)	5139111014 (2)	5139111014 (2)

OPTION PARTS LIST
(CHECK VERSION except the followings.)

Part No.	Part Name & Descriptions	Q'ty
J71019	PUSH KNOB (T)	2
J72021	PUSH KNOB (L)	2
J33006	FRONT PANEL ASS'Y	1
J73211	PUSH KNOB (F) ASS'Y	1
J44114	KNOB GUIDE (P) ASS'Y	1
J70117	PUSH KNOB (P)	1
J12017	VR KNOB ASS'Y	1
J13210	KNOB ASS'Y	4
J14112	KNOB ASS'Y	2
J13336	TOP COVER	1
J14006	TAPPING SCREW(S) 4x8	6
J22084	CARTON CASE	1
J11001	COLOR LABEL (GOLD)	2