



For more Hi-Fi manuals and set-up information  
please visit [www.hifiengine.com](http://www.hifiengine.com)

# AKAI

MODEL **AM-A102**

MODEL **AM-A202**

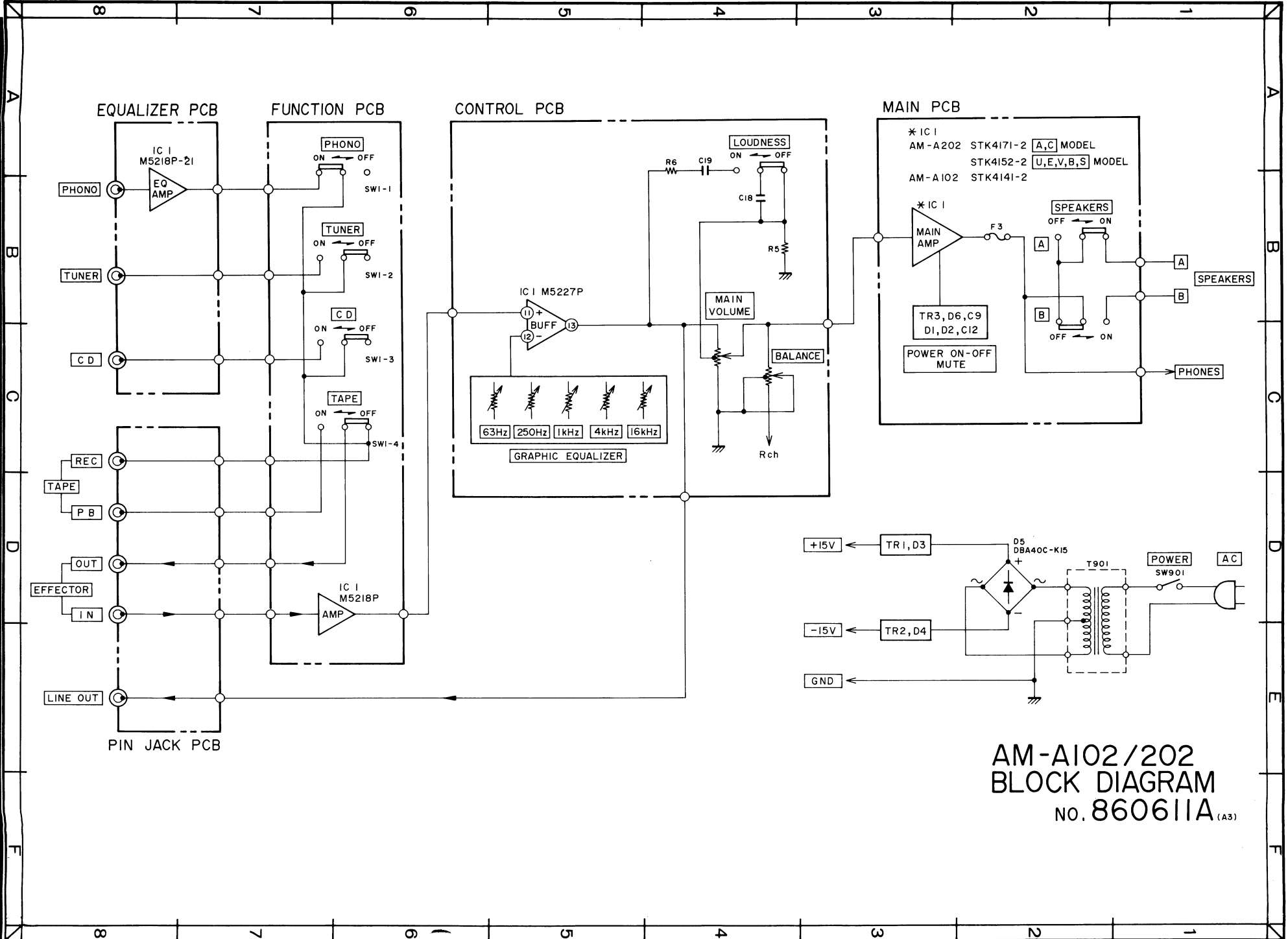
MODEL **AM-A302**

MODEL **AM-A402**

## SCHEMATIC DIAGRAM AND PC BOARDS

### TABLE OF CONTENTS

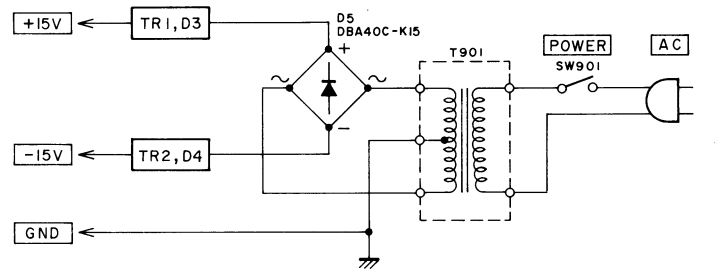
1. BLOCK DIAGRAM AM-A102/202 .....	2
2. BLOCK DIAGRAM AM-A302/402 .....	3
3. PIN JACK PCB, FUNCTION PCB EQUALIZER PCB .....	4
4. POWER SW PCB, FILTER PCB, CONTROL PCB .....	5
5. MAIN PCB AM-A102/202 .....	6
6. SCHEMATIC DIAGRAM AM-A102/202 .....	7
7. SCHEMATIC DIAGRAM AM-A302/402 .....	8
8. MAIN PCB AM-A302/402 .....	9
9. POWER SW PCB, FILTER PCB, CONTROL PCB .....	10
10. PIN JACK PCB, FUNCTION PCB EQUALIZER PCB .....	11
11. ICs .....	12



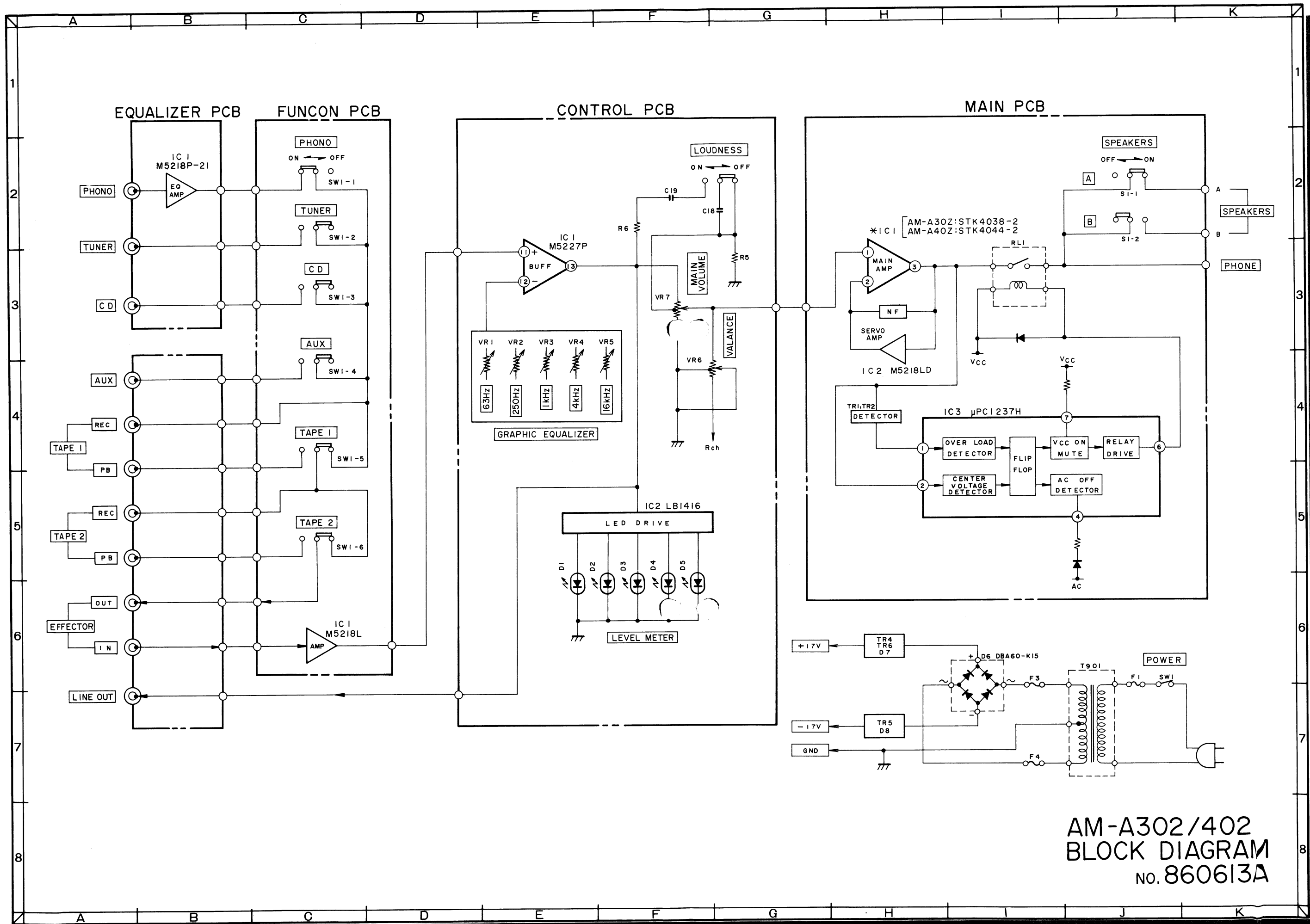
\* IC 1  
 AM - A202 STK4171-2 **A,C** MODEL  
 STK4152-2 **U,E,V,B,S** MODEL  
 AM - A102 STK4141-2

TR3, D6, C9  
 DI, D2, C12  
 POWER ON-OFF  
 MUTE

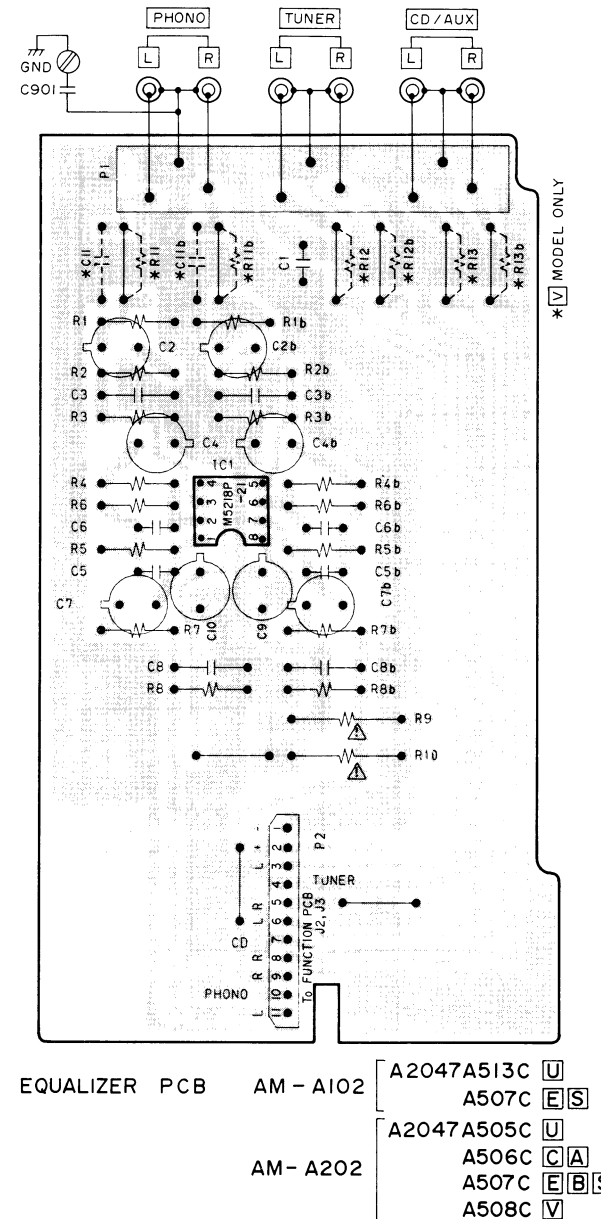
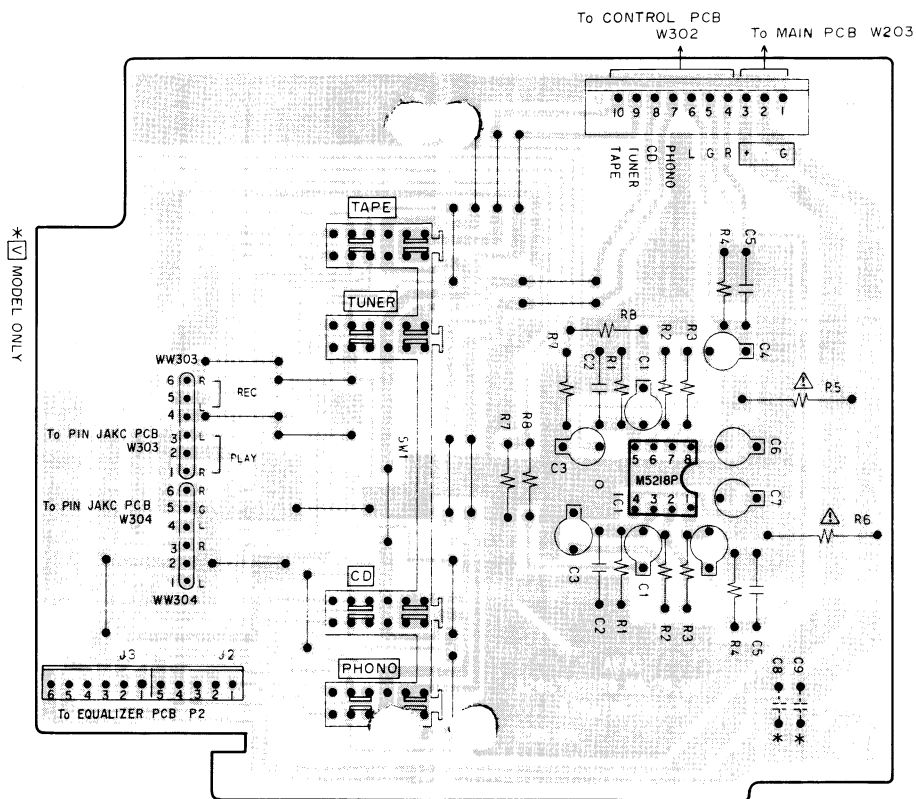
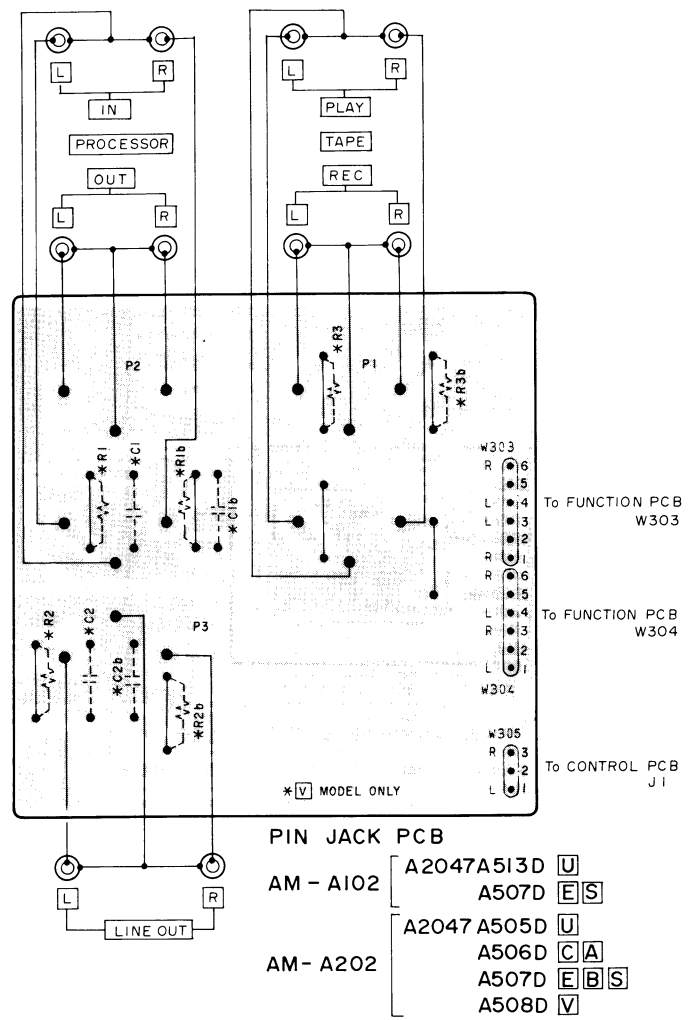
SPEAKERS  
 OFF ON  
 A B  
 SPEAKERS  
 PHONES



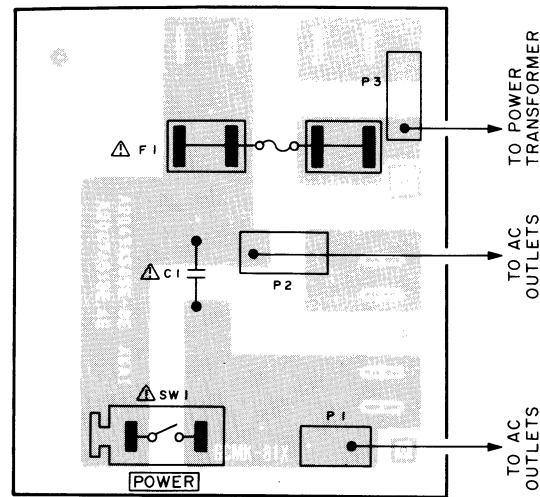
AM-A102/202  
 BLOCK DIAGRAM  
 NO. 860611A (A3)



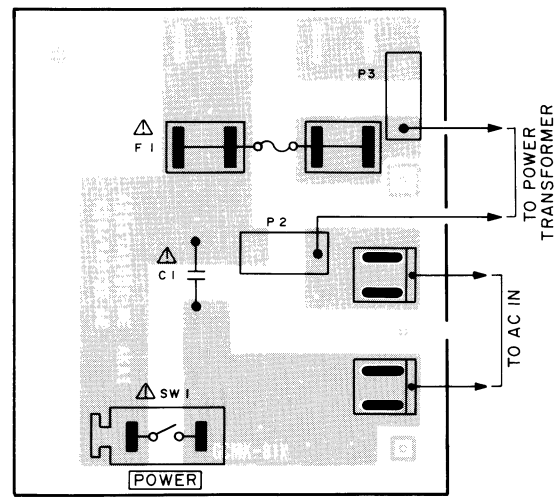
AM-A302/402  
BLOCK DIAGRAM  
NO. 860613A



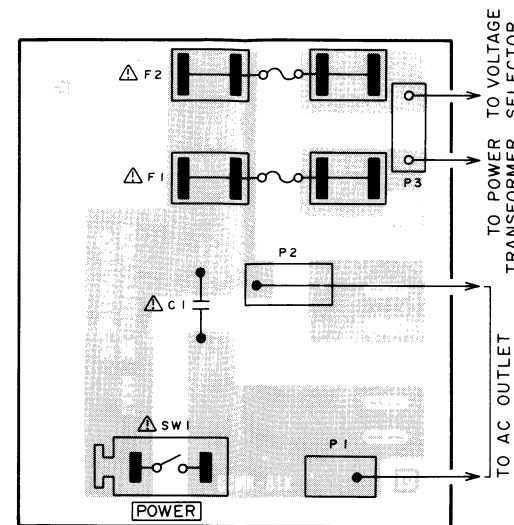
WARNING: ⚠ INDICATES SAFETY CRITICAL COMPONENTS FOR CONTINUED SAFETY. REPLACE SAFETY CRITICAL COMPONENTS ONLY WITH MANUFACTURER'S RECOMMENDED PARTS  
 AVERTISSEMENT: ⚠ IL INDIQUE LES COMPOSANTS CRITIQUES DE SÉCURITÉ. POUR MAINTENIR LE DEGRÉ DE SÉCURITÉ DE L'APPAREIL, NE REMPLACER QUE DES PIÈCES RECOMMANDÉES PAR LE FABRICANT



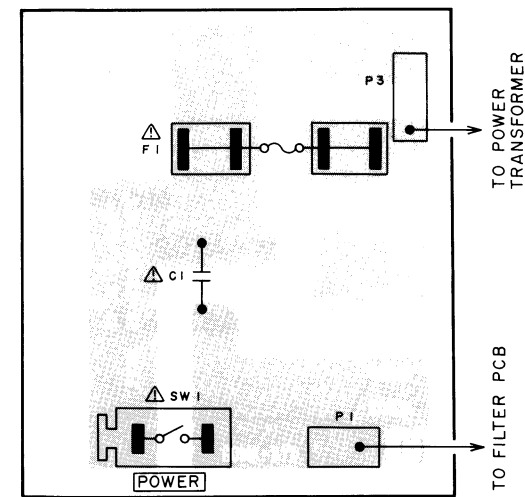
POWER SW PCB A2047A506E **C** **A**  
(AM-A202)



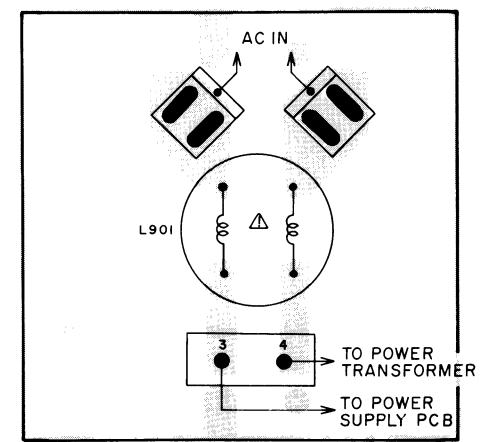
POWER SW PCB A2047A507E **E** **S** (AM-A102)  
**E** **B** **S** (AM-A202)



POWER SW PCB A2047A505E **U** (AM-A202)  
**A** **5** **1** **3** **F** (AM-A102)



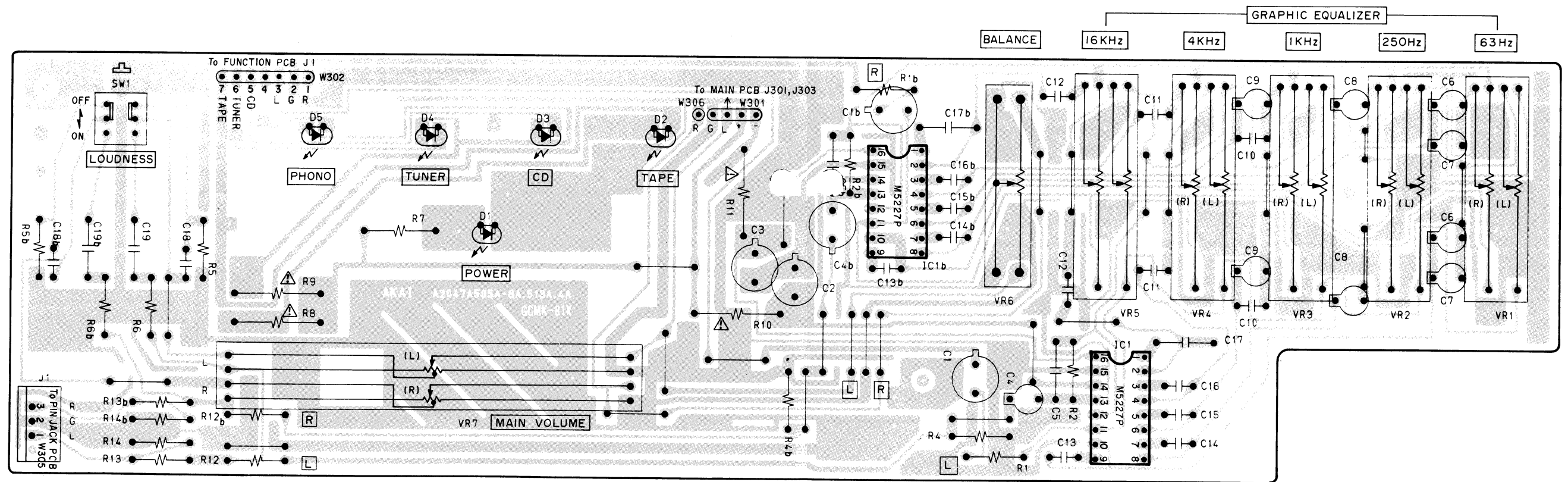
POWER SW PCB A2047A504E **V** (AM-A202)



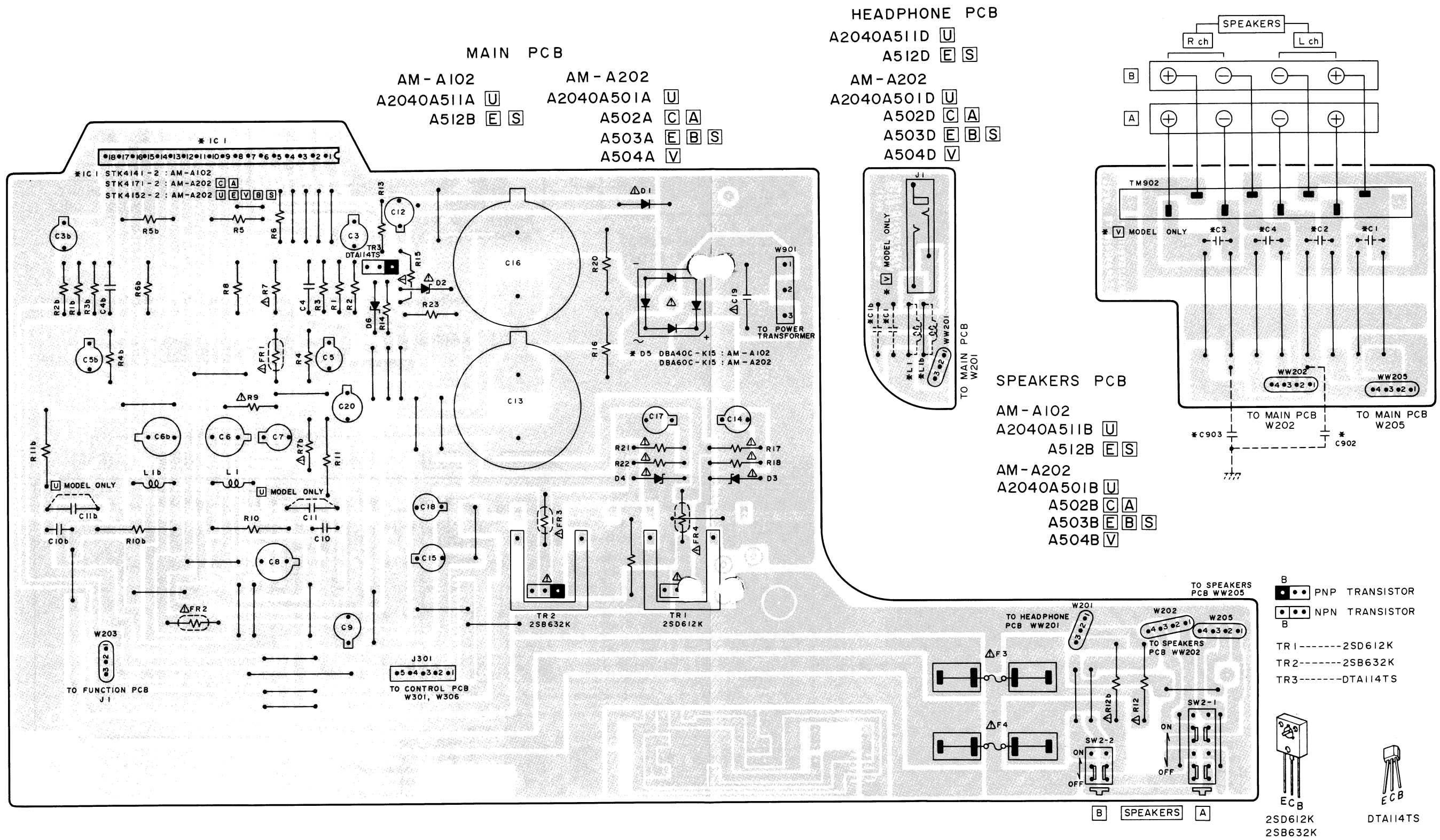
FILTER PCB A2040A504C **V** MODEL ONLY

WARNING:  $\Delta$  INDICATES SAFETY CRITICAL COMPONENTS FOR CONTINUED SAFETY, REPLACE SAFETY CRITICAL COMPONENTS ONLY WITH MANUFACTURER'S RECOMMENDED PARTS

AVERTISSEMENT:  $\Delta$  IL INDIQUE LES COMPOSANTS CRITIQUES DE SÉCURITÉ. POUR MAINTENIR LE DEGRÉ DE SÉCURITÉ DE L'APPAREIL, NE REMPLACER QUE DES PIÈCES RECOMMANDÉES PAR LE FABRICANT

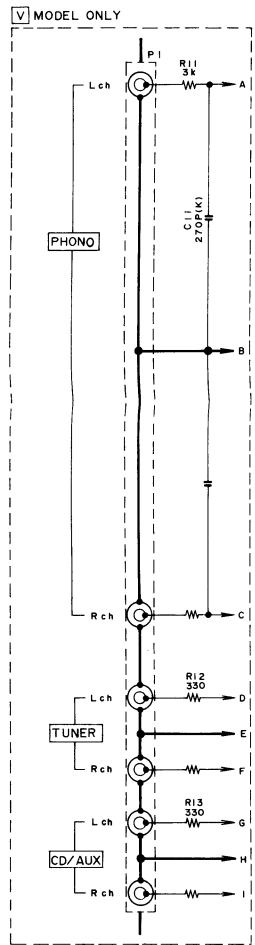


CONTROL PCB AM-A102 **A** **2** **0** **4** **7** **A** **5** **1** **3** **A** **U**  
**A** **5** **0** **7** **A** **E** **S**  
AM-A202 **A** **2** **0** **4** **7** **A** **5** **0** **5** **A** **U**  
**A** **5** **0** **6** **A** **C** **A**  
**A** **5** **0** **7** **A** **E** **B** **S**  
**A** **5** **0** **8** **A** **V**

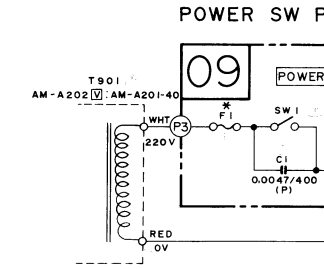
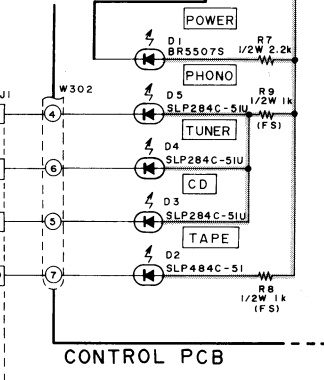
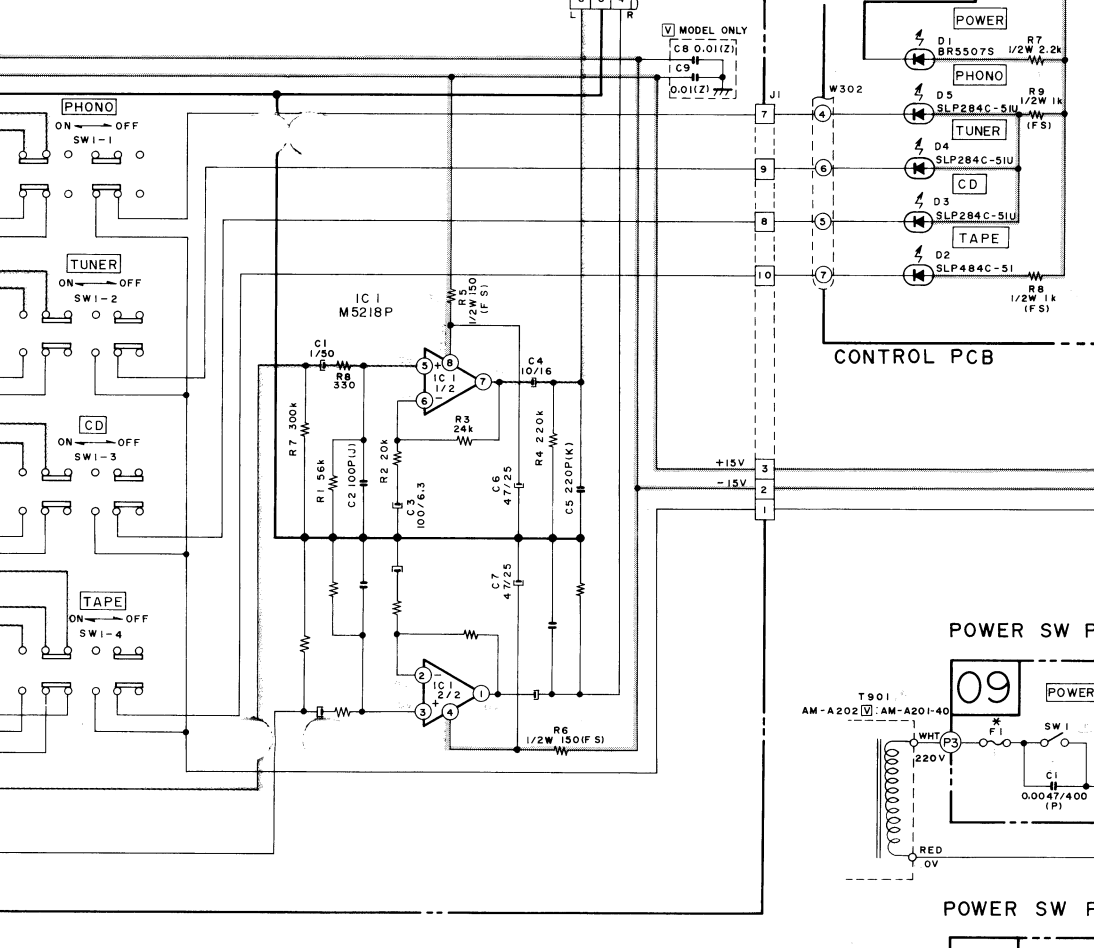
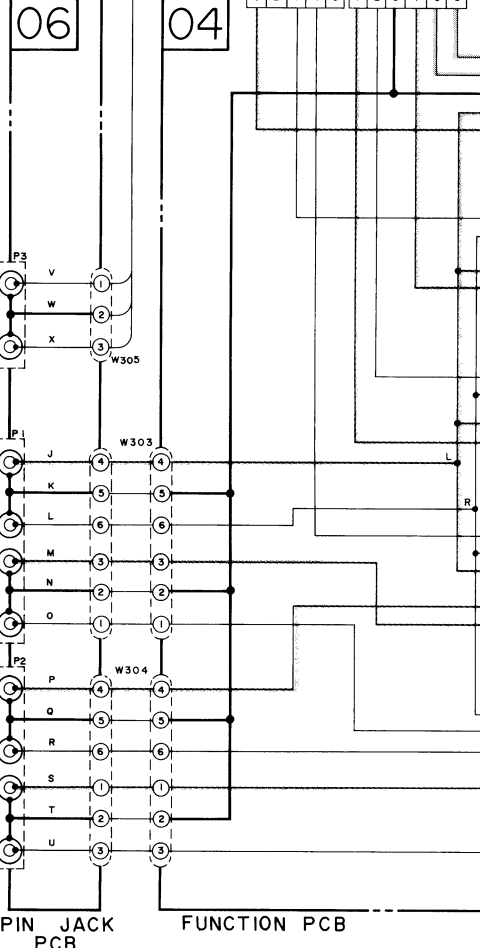
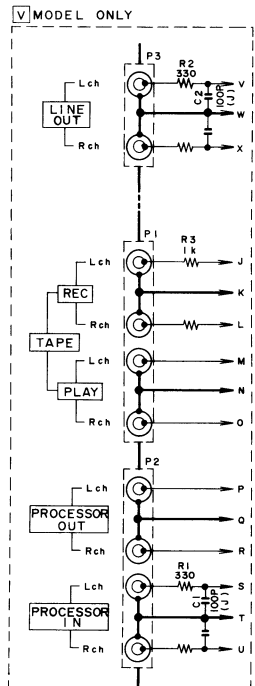
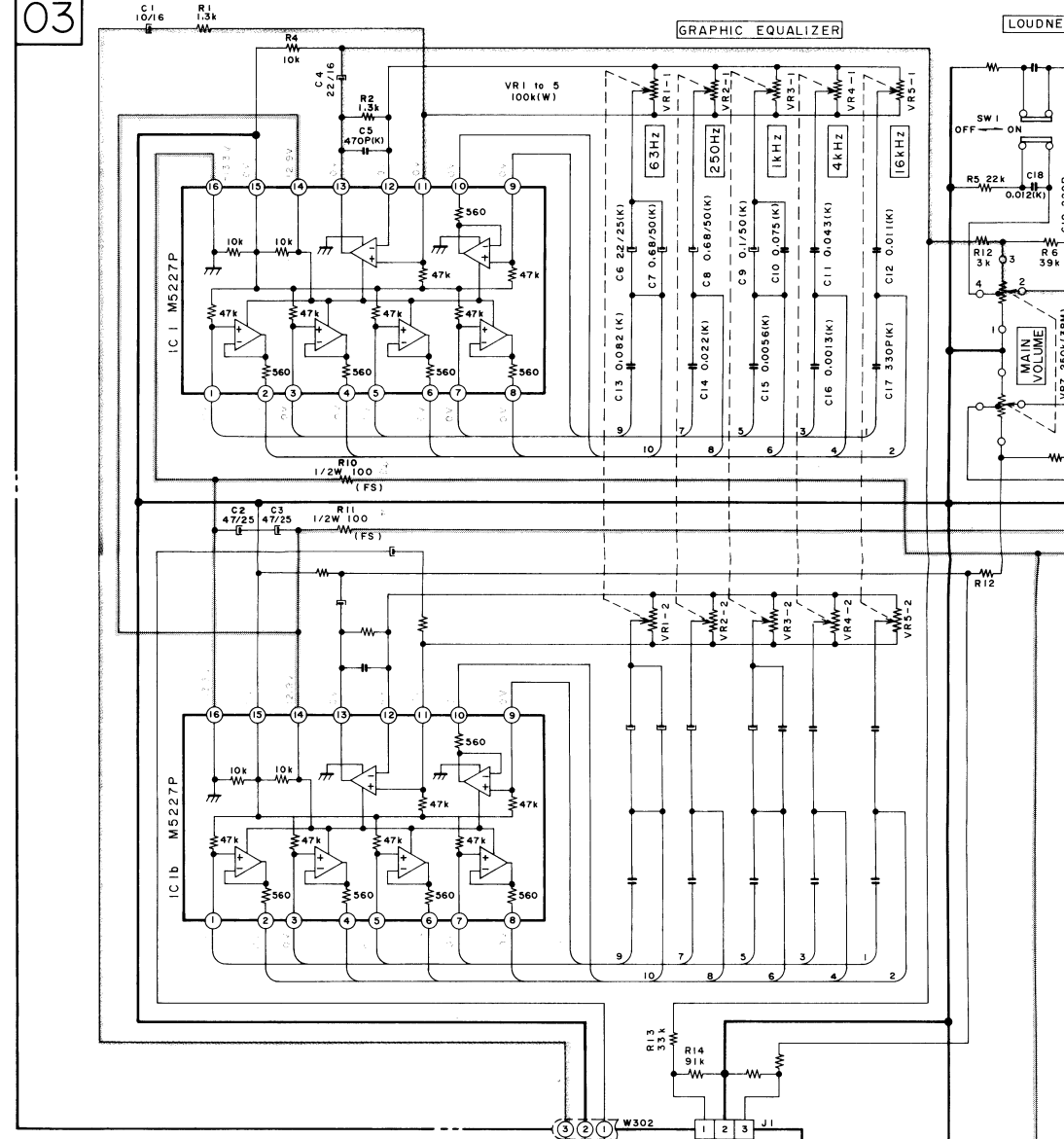
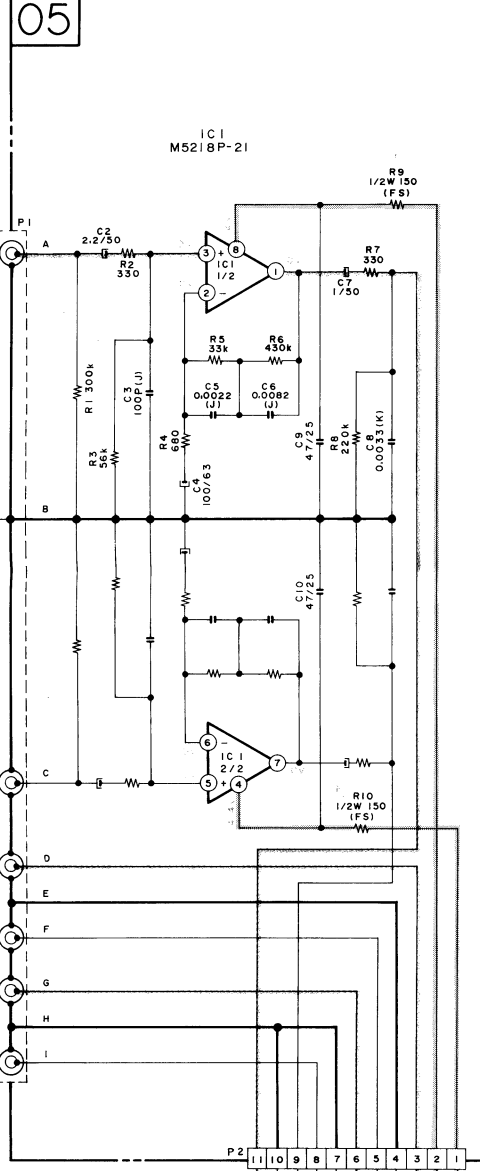




AM-A102/202



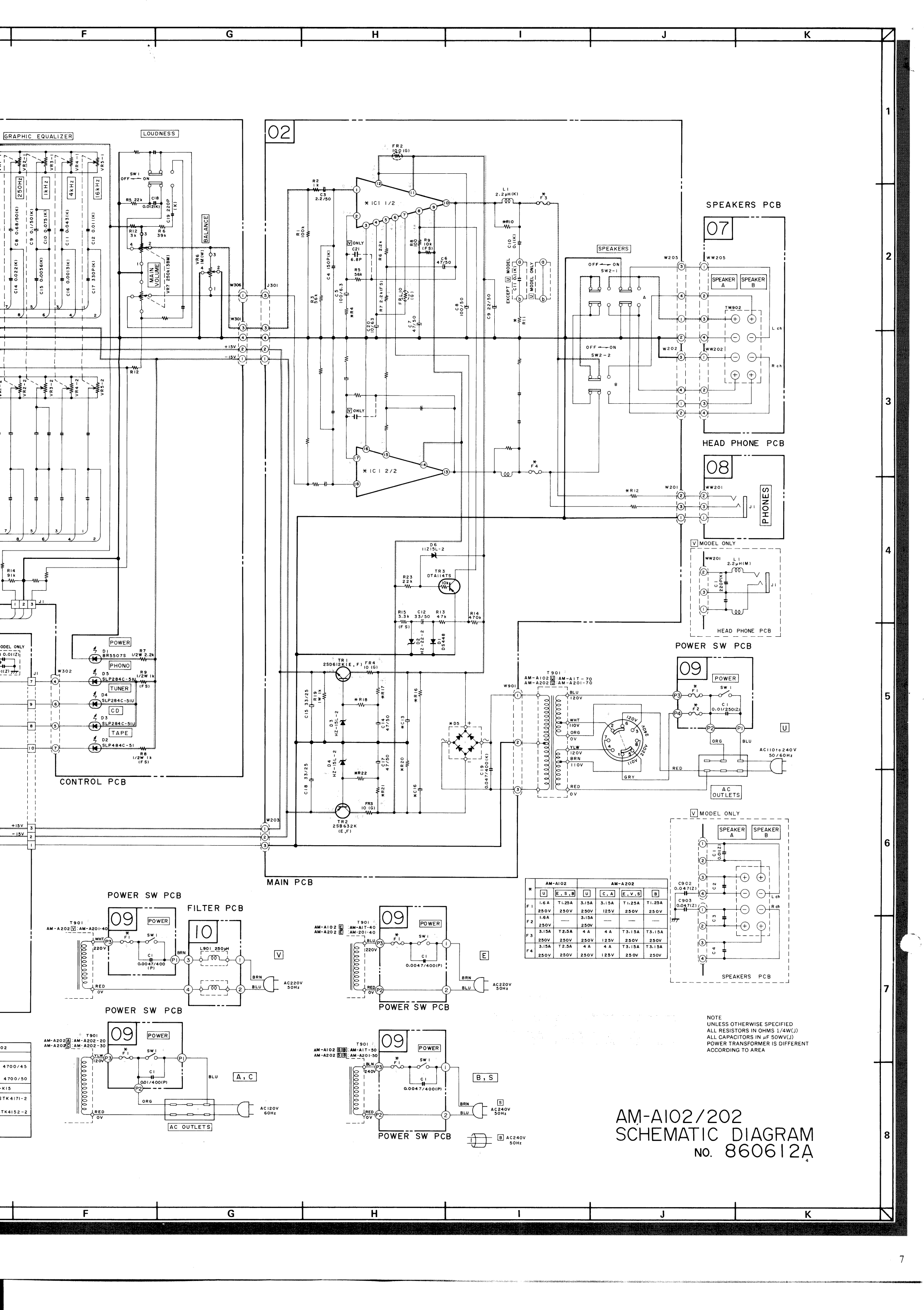
EQUALIZER PCB



* AM-A102	AM-A202	* AM-A102	AM-A202
R4 1.1k	750	R16, R20 5.6k	10k
R10, R11 1/2W10	820	C13, C16 4700/40	4700/45
R12 1W180	2W220	IC1	4700/50
R17, R21 3.3k (FS)	3.3k (FS)	D5 DBA40C-K15	DBA60C-K15
R18, R22 1k (FS)	5.6k (FS)	IC1	STK4171-2
	1.8k (FS)		STK4152-2

B (POWER SUPPLY) LINE  
SIGNAL LINE





02

SPEAKERS PCB

07

HEAD PHONE PCB

08

POWER SW PCB

09

POWER SW PCB

09

FILTER PCB

10

POWER SW PCB

09

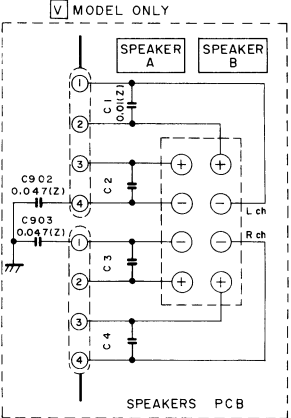
POWER SW PCB

09

POWER SW PCB

09

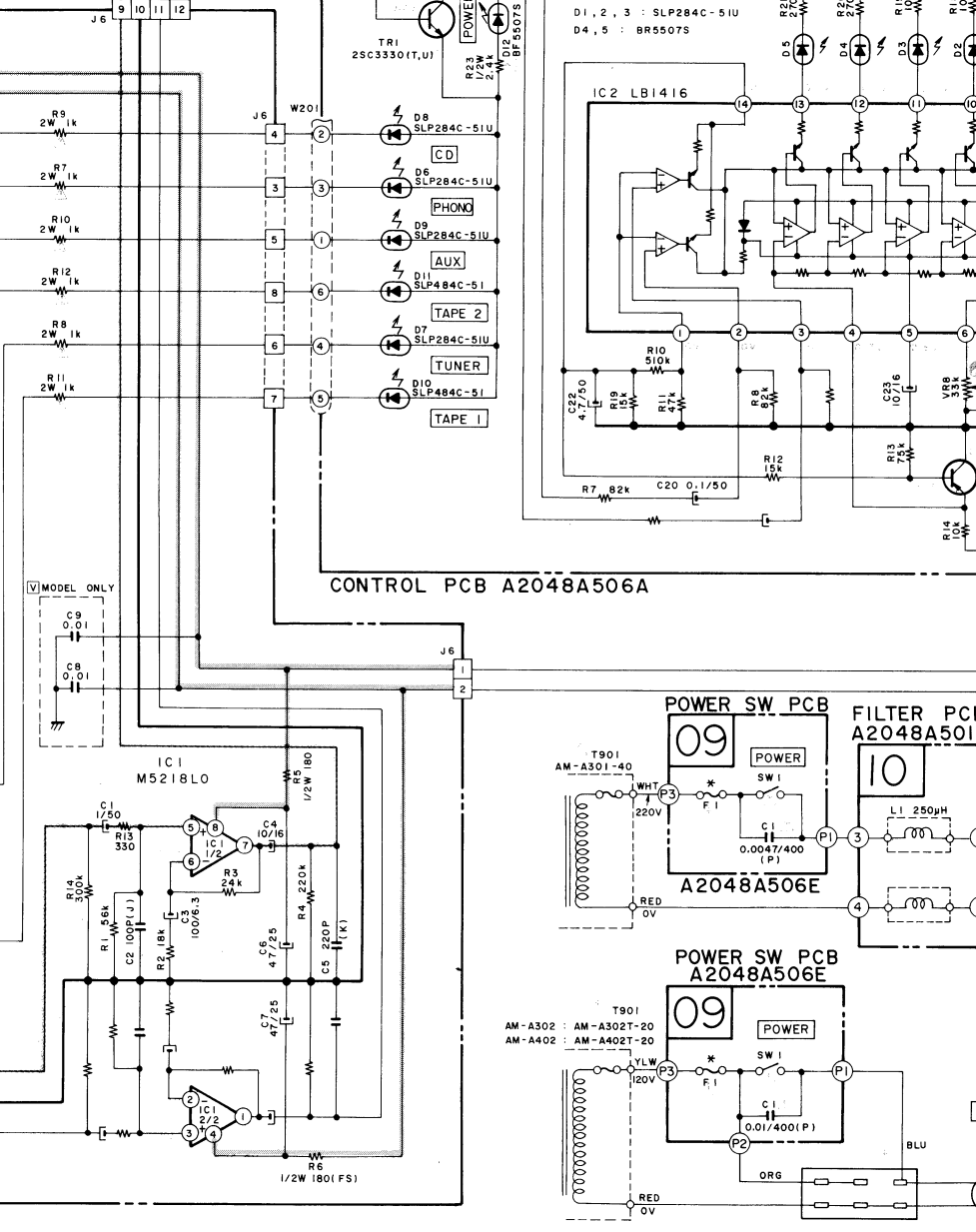
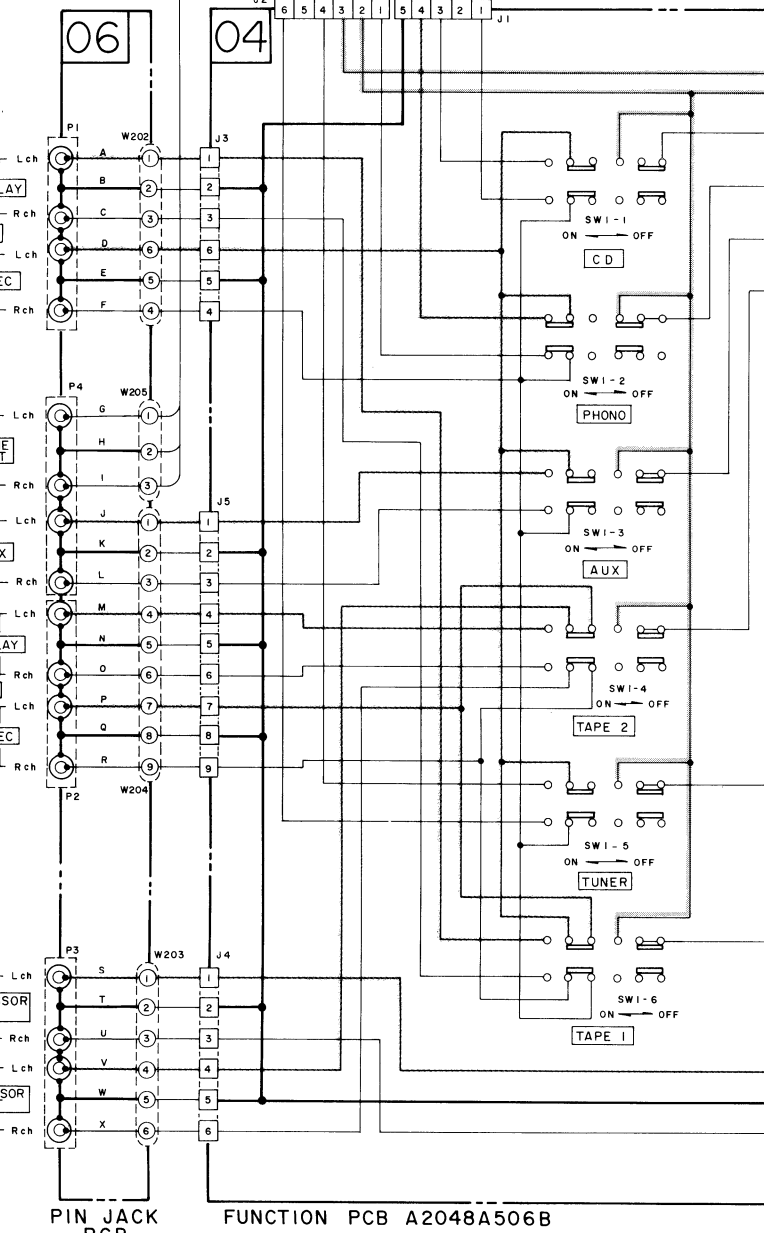
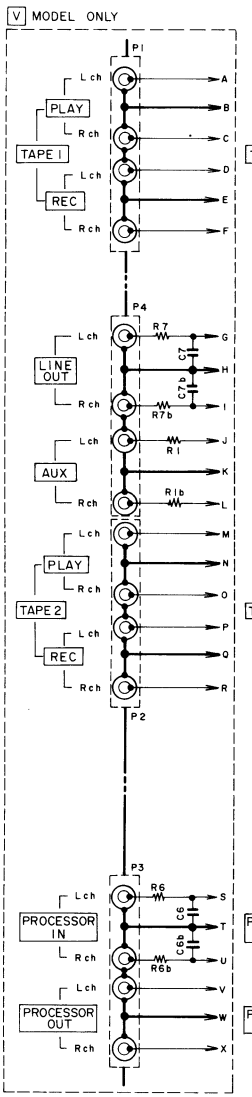
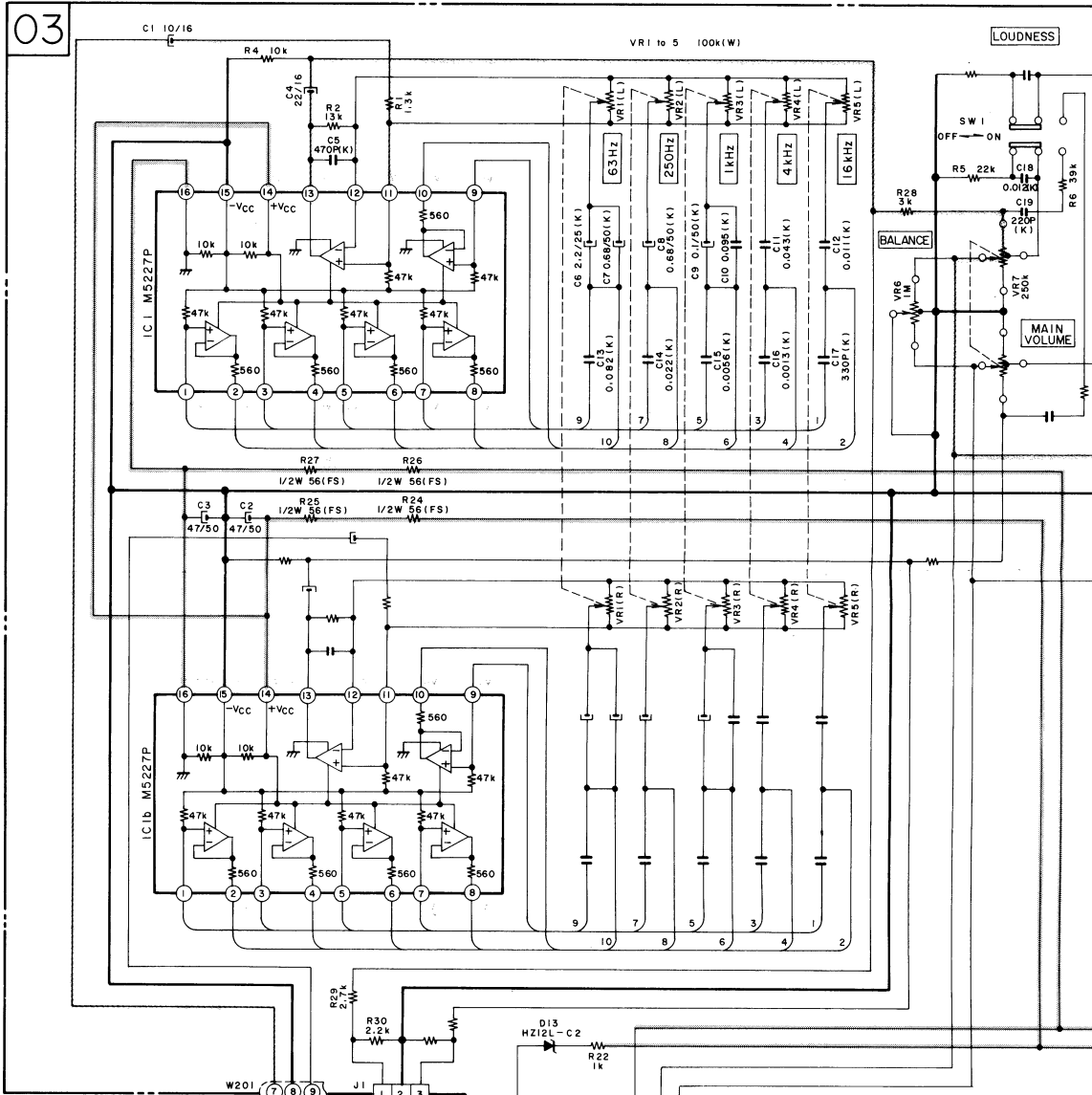
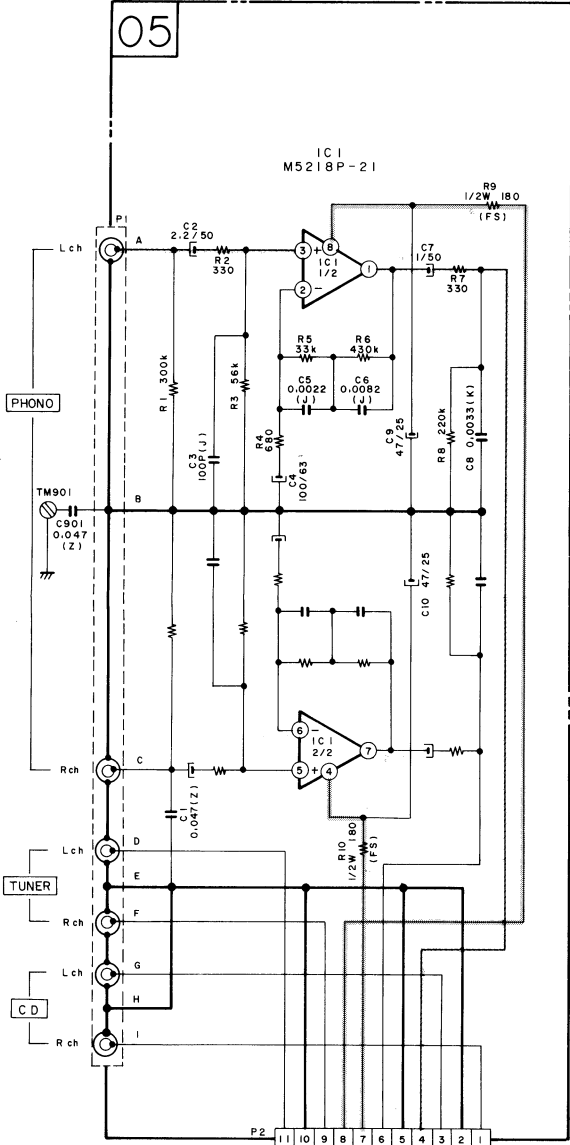
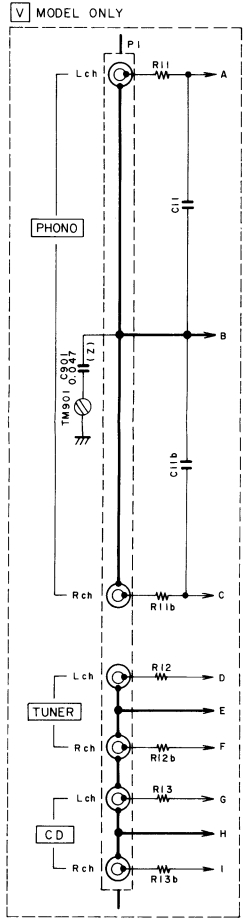
AM-A102		AM-A202			
U	E, S, B	C, A	E, V, S	B	
F1	1.6A 250V	T1.25A 250V	3.15A 125V	T1.25A 250V	T1.25A 250V
F2	1.6A 250V	—	3.15A 250V	—	—
F3	3.15A 250V	T2.5A 250V	4 A 125V	T3.15A 250V	T3.15A 250V
F4	3.15A 250V	T2.5A 250V	4 A 125V	T3.15A 250V	T3.15A 250V



NOTE  
UNLESS OTHERWISE SPECIFIED  
ALL RESISTORS IN OHMS 1/4W(J)  
ALL CAPACITORS IN  $\mu$ F 50WV(J)  
POWER TRANSFORMER IS DIFFERENT  
ACCORDING TO AREA

AM-A102/202  
SCHEMATIC DIAGRAM  
No. 860612A

1  
2  
3  
4  
5  
6  
7  
8



PIN JACK PCB A2048A506D

FUNCTION PCB A2048A506B

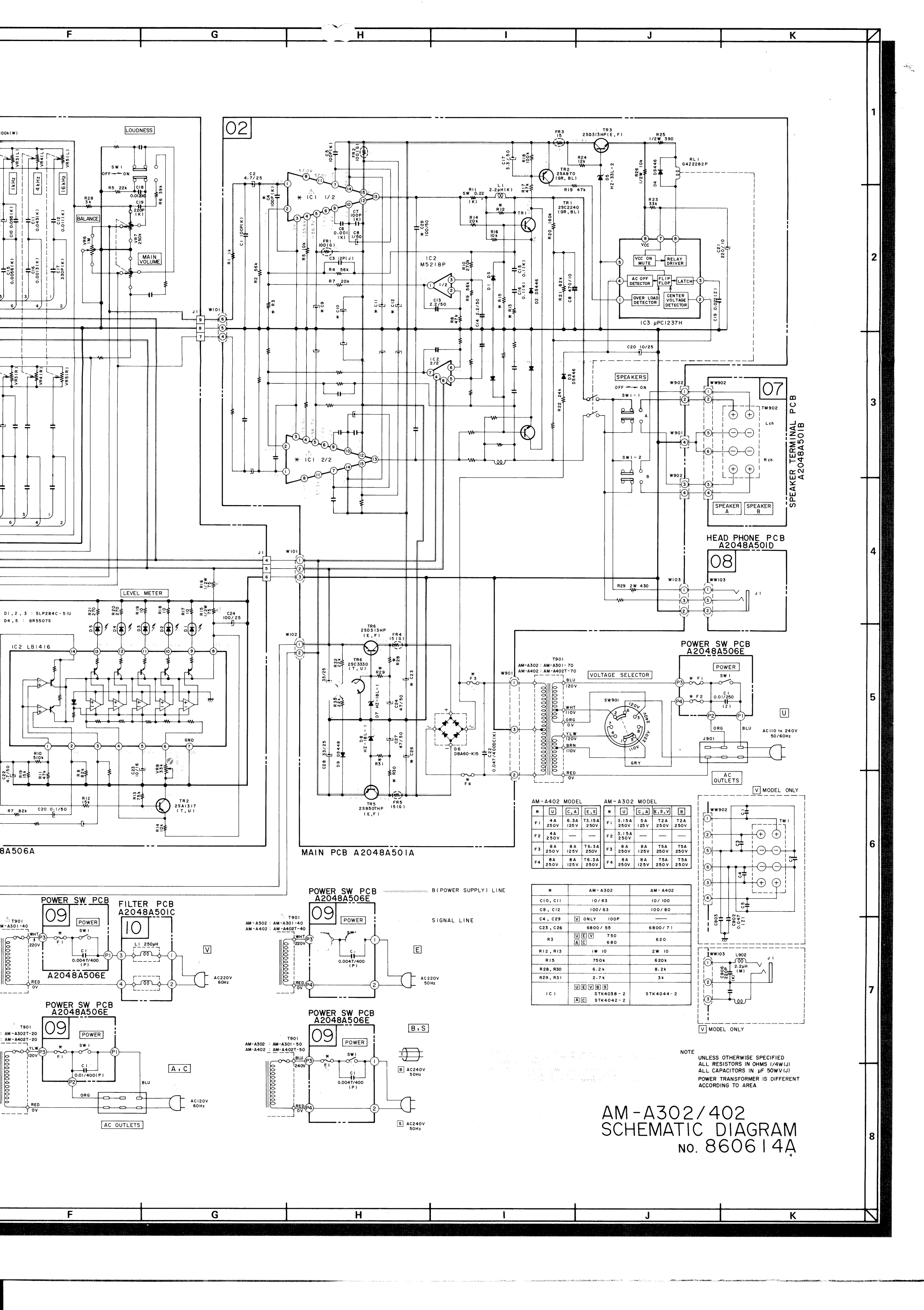
CONTROL PCB A2048A506A

POWER SW PCB A2048A506E

POWER SW PCB A2048A506E

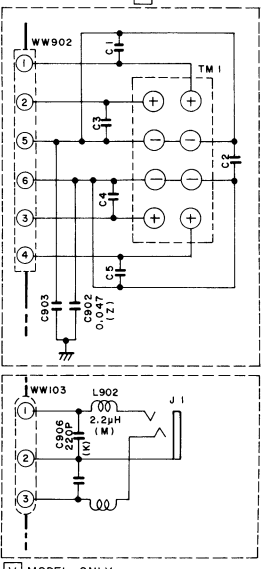
FILTER PCB A2048A506I

AC OUTLETS



AM-A402 MODEL				AM-A302 MODEL			
* U	C, A	E, S	B	* U	C, A	E, S, V	B
F1	4A 250V	6.3A 125V	T3, 15A 250V	F1	3.15A 250V	5A 125V	T2A 250V
F2	4A 250V			F2	3.15A 250V		
F3	8A 250V	8A 125V	T6, 3A 250V	F3	8A 250V	8A 125V	T5A 250V
F4	8A 250V	8A 125V	T6, 3A 250V	F4	8A 250V	8A 125V	T5A 250V

* U	AM-A302	AM-A402
C10, C11	10/63	10/100
C9, C12	100/63	100/80
C4, C29	V ONLY	100P
C23, C26	6800/55	6800/71
R3	U E V 750	620
	A C 680	
R12, R13	1W 10	2W 10
R15	750k	620k
R28, R30	6.2k	8.2k
R29, R31	2.7k	3k
IC1	U E V B S STK4038-2	STK4044-2
	A C STK4042-2	

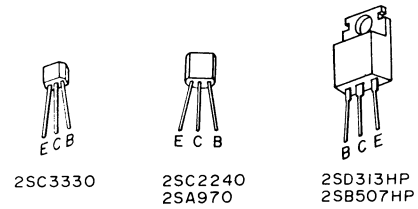


NOTE  
UNLESS OTHERWISE SPECIFIED  
ALL RESISTORS IN OHMS 1/4W(J)  
ALL CAPACITORS IN µF 50WV(J)  
POWER TRANSFORMER IS DIFFERENT  
ACCORDING TO AREA

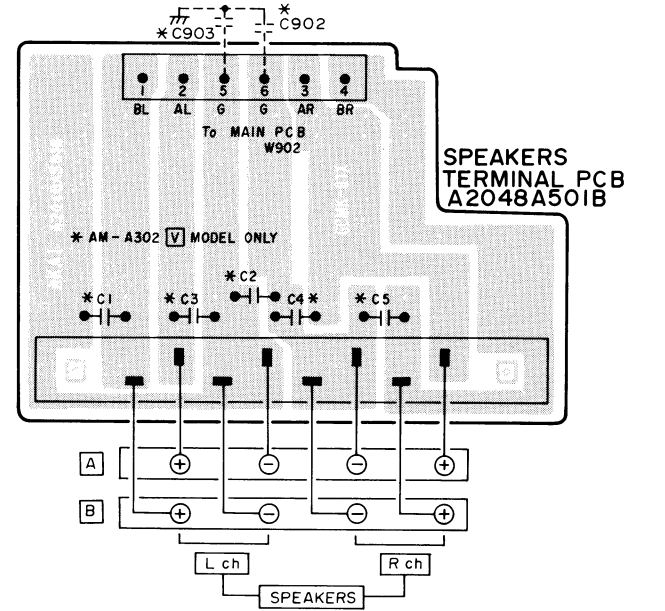
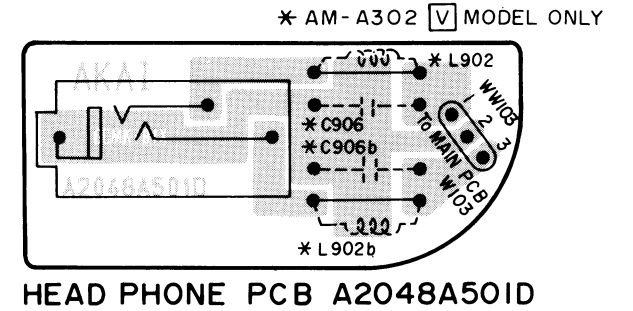
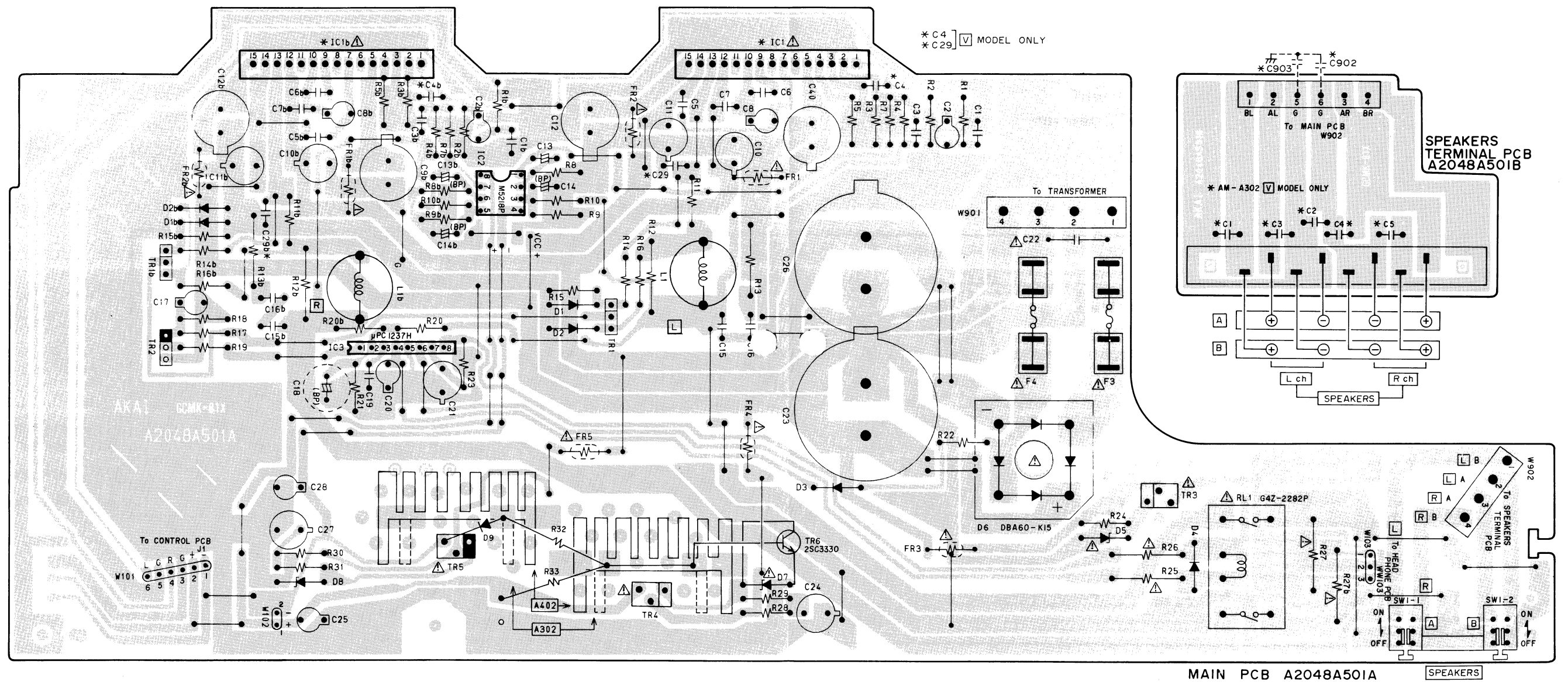
# AM-A302/402 SCHEMATIC DIAGRAM No. 860614A

TR1 .....2SC2240  
 TR2 .....2SA970  
 TR3, TR4 .....2SD313HP  
 TR5 .....2SB507HP  
 TR6 .....2SC3330

● PNP TRANSISTOR  
 ○ NPN TRANSISTOR



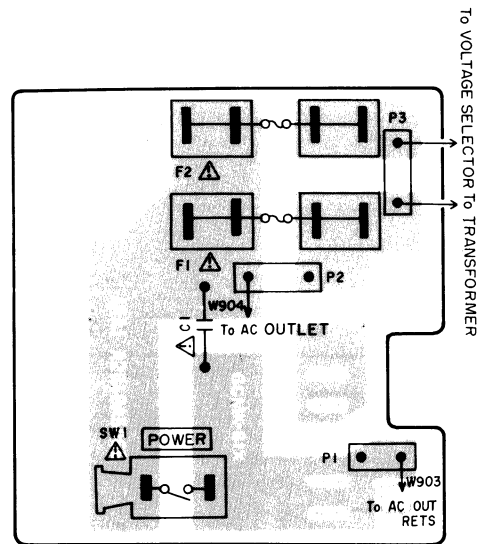
\* IC1  
 AM - A302 [STK4038 - 2 U E V B S] MODEL  
 [STK404 - 2 U E V B S] MODEL  
 AM - A402 STK40 - 2 U E V B S MODEL



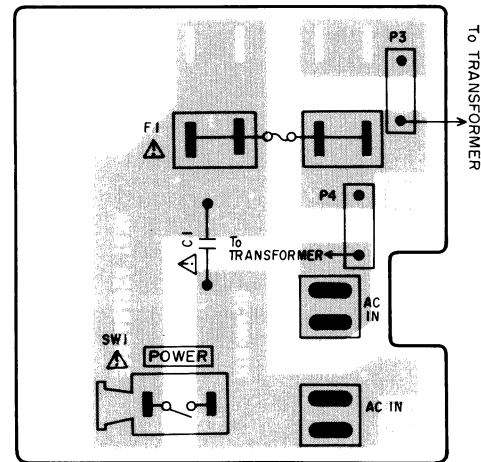
MAIN PCB A2048A501A      SPEAKERS

WARNING: ⚠ INDICATES SAFETY CRITICAL COMPONENTS FOR CONTINUED SAFETY. REPLACE SAFETY CRITICAL COMPONENTS ONLY WITH MANUFACTURER'S RECOMMENDED PARTS  
 AVERTISSEMENT: ⚠ IL INDIQUE LES COMPOSANTS CRITIQUES DE SÉCURITÉ. POUR MAINTENIR LE DEGRÉ DE SÉCURITÉ DE L'APPAREIL, NE REMPLACER QUE DES PIÈCES RECOMMANDÉES PAR LE FABRICANT

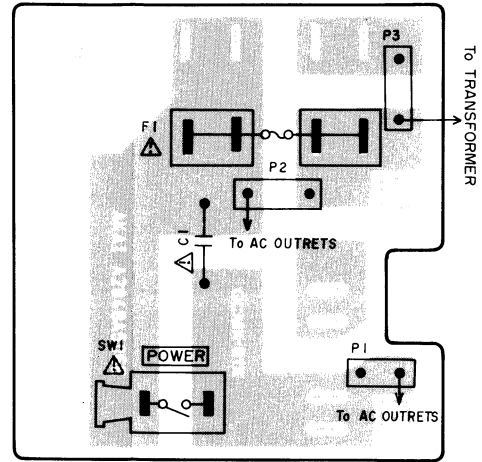




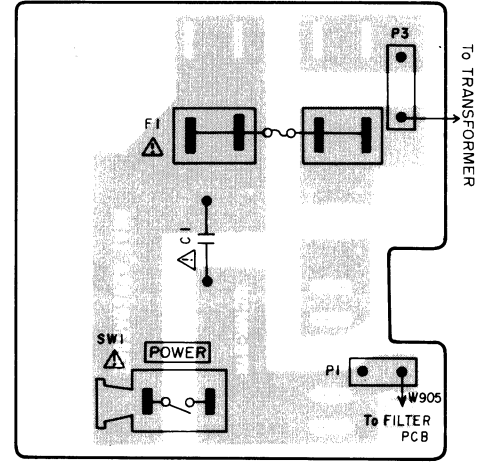
POWER SW PCB A2048A506E  
AM - A302 U MODEL  
AM - A402 U MODEL



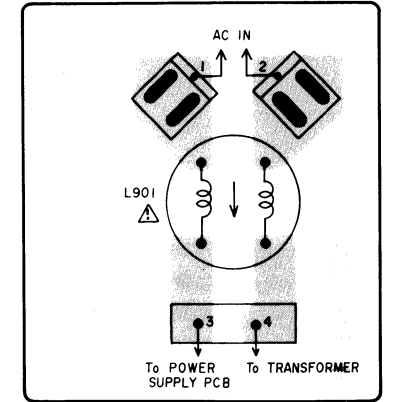
POWER SW PCB A2048A506E  
AM - A302 ES MODEL  
AM - A402 ES MODEL



POWER SW PCB A2048A506E  
AM - A302 AC MODEL  
AM - A402 AC MODEL



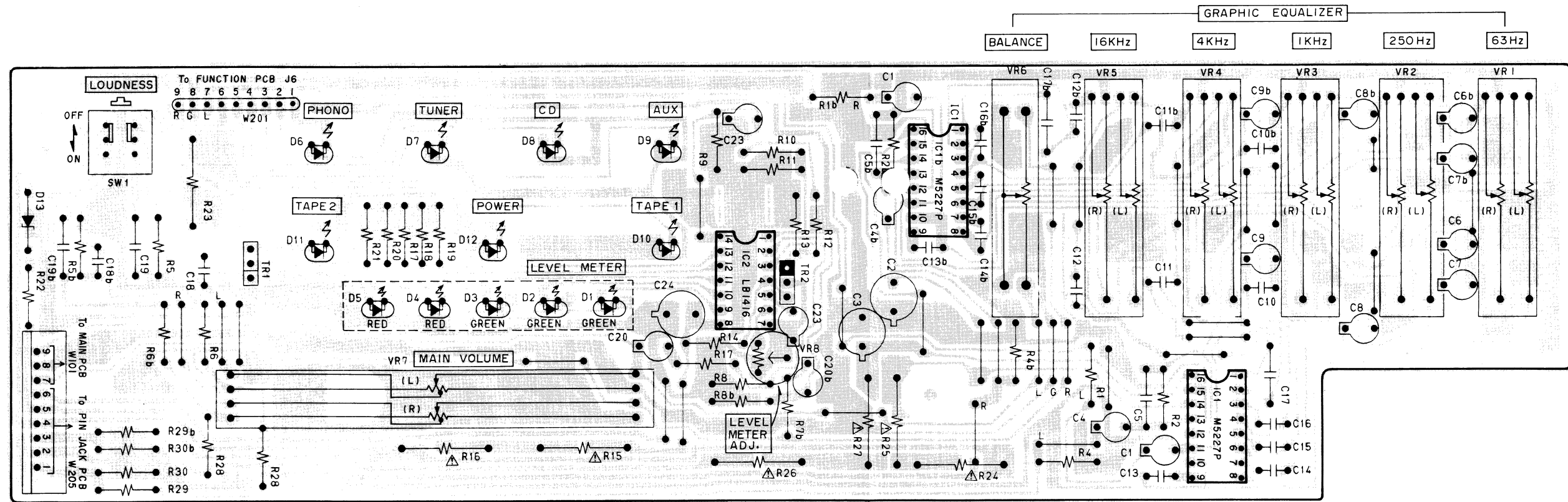
POWER SW PCB A2048A506E  
AM - A302 V MODEL



FILTER PCB A2048A501C  
AM - A302 V MODEL ONLY

WARNING: ⚠ INDICATES SAFETY CRITICAL COMPONENTS FOR CONTINUED SAFETY, REPLACE SAFETY CRITICAL COMPONENTS ONLY WITH MANUFACTURER'S RECOMMENDED PARTS

AVERTISSEMENT: ⚠ IL INDIQUE LES COMPOSANTS CRITIQUES DE SÉCURITÉ. POUR MAINTENIR LE DEGRÉ DE SÉCURITÉ DE L'APPAREIL, NE REMPLACER QUE DES PIÈCES RECOMMANDÉES PAR LE FABRICANT

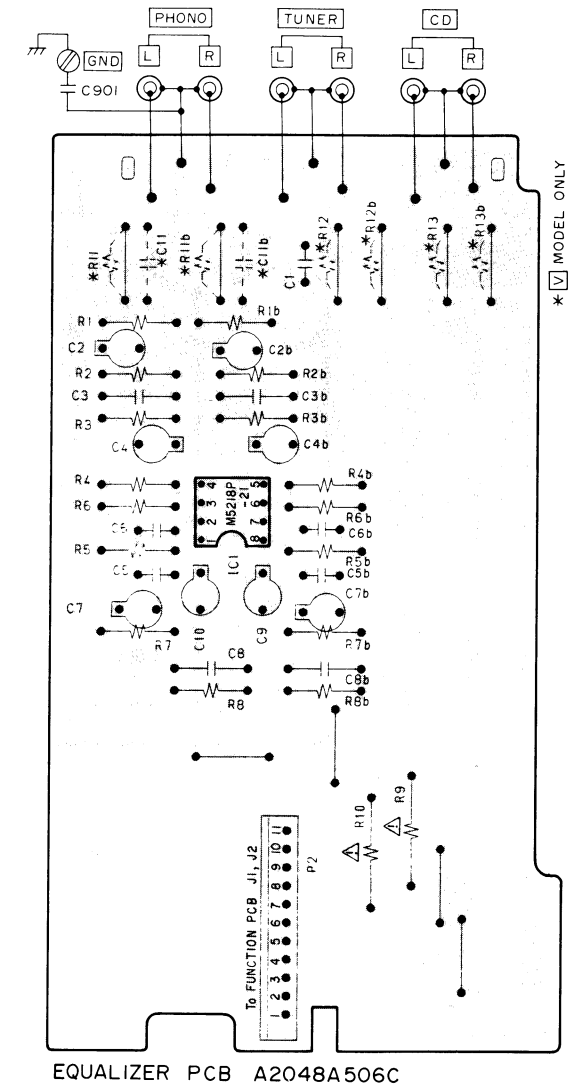
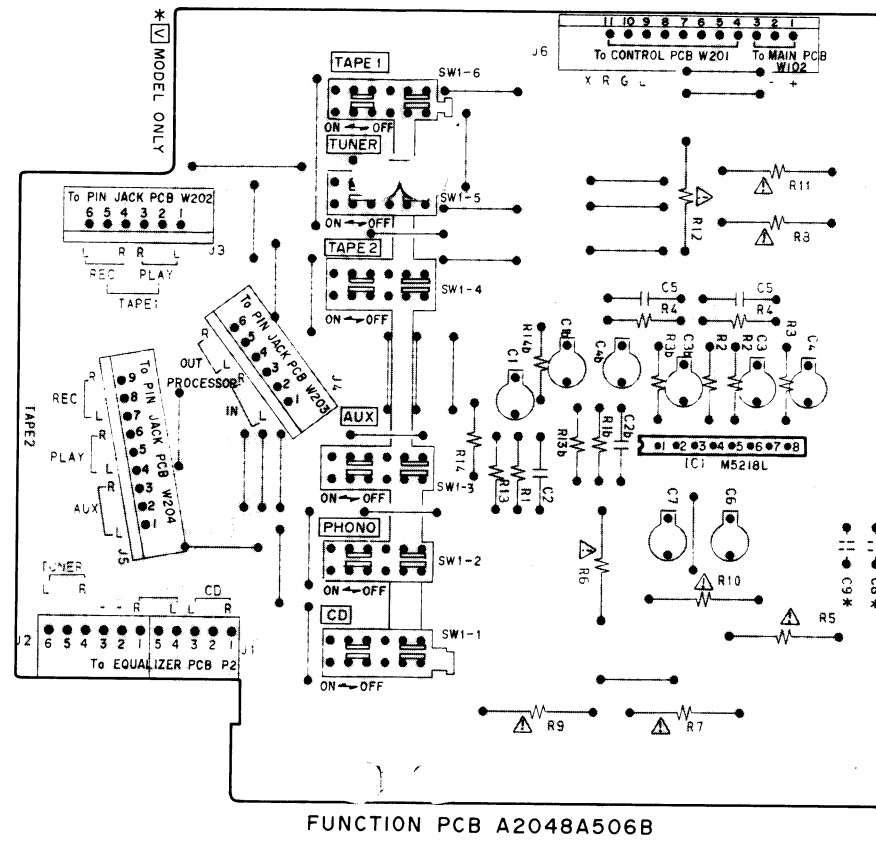
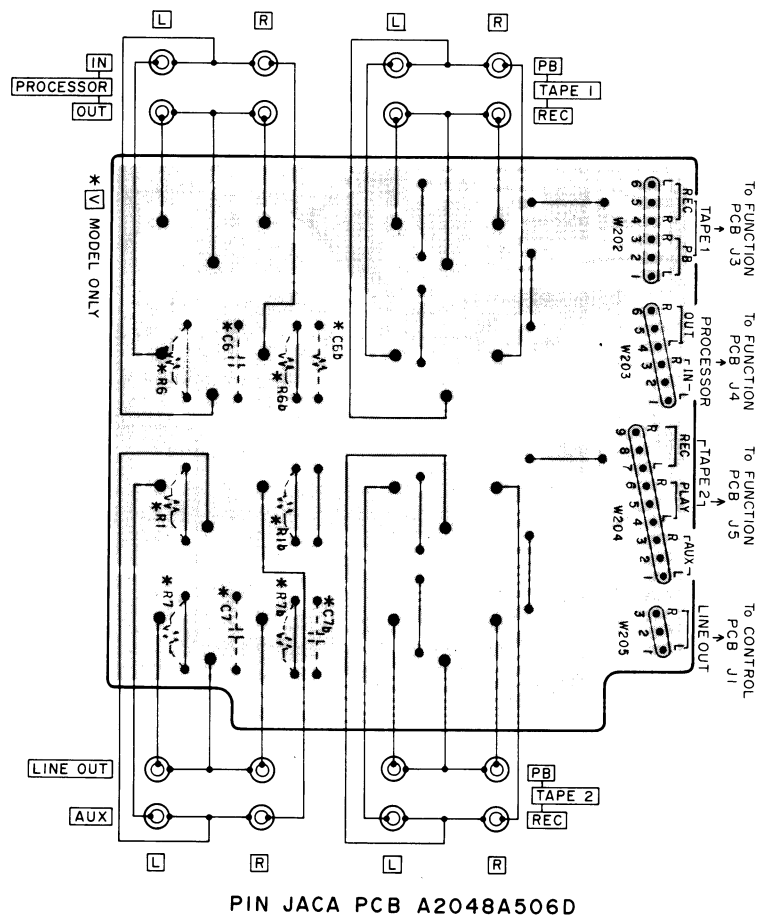


CONTROL PCB A2048A506A

- TR1 ..... 2SC3330
- TR2 ..... 2SA1317
- PNP TRANSISTOR
- NPN TRANSISTOR



2SC3330  
2SA1317

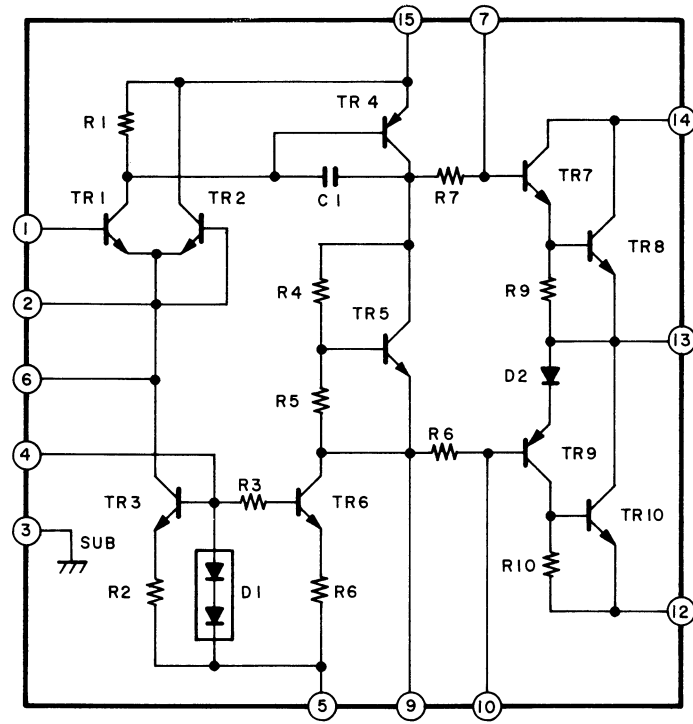


WARNING:  $\Delta$  INDICATES SAFETY CRITICAL COMPONENTS FOR CONTINUED SAFETY, REPLACE SAFETY CRITICAL COMPONENTS ONLY WITH MANUFACTURER'S RECOMMENDED PARTS

AVERTISSEMENT:  $\Delta$  IL INDIQUE LES COMPOSANTS CRITIQUES DE SÉCURITÉ. POUR MAINTENIR LE DEGRÉ DE SÉCURITÉ DE L'APPAREIL, NE REMPLACER QUE DES PIÈCES RECOMMANDÉES PAR LE FABRICANT

MODEL AM-A302  
STK4038-2  
STK4042-2

MODEL AM-A402  
STK4044-2



MODEL AM-A102  
STK4141-2

MODEL AM-A202  
STK4171-2  
STK4152-2

