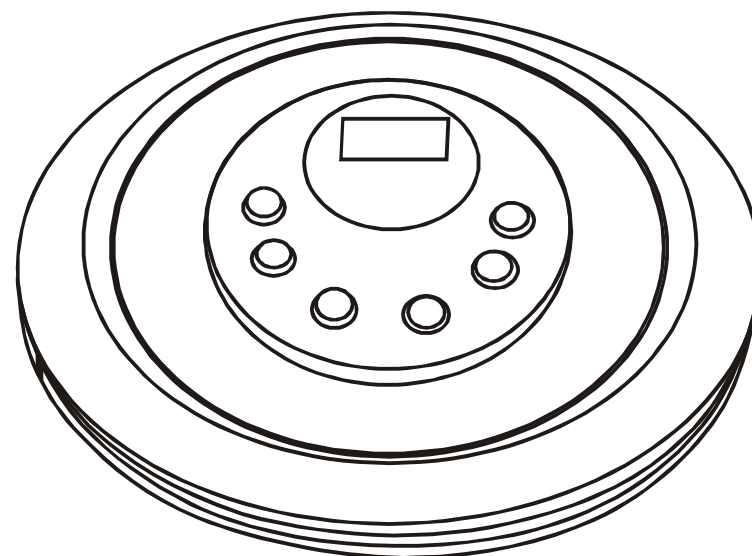


Service Manual

COMPACT DISC COMPACT PLAYER



PD-X4440

CONTENTS

	Page
Specifications & Performance Specifications	1
Electrical Parts List	2
Printed Circuit Boards	5
Wiring Diagram	11
Schematic Diagram	13
Voltage Chart	15
IC Lead Identification & Internal Diagrams	17
Block Diagram	19
Exploded Drawing Parts List	20
Exploded Drawing	21

PRODUCT SAFETY NOTICE


Many electrical and mechanical parts in this chassis have special safety characteristics. These safety characteristics often pass unnoticed and the protection afforded by them cannot necessarily be obtained by using replacement components rated for higher voltage, wattage, etc. Replacement parts that have these special safety characteristics are identified in this manual and its supplements; electrical components having such features are identified by ⚠ in the schematic diagram and the parts list.

Before replacing any of these components, read the parts list in this manual carefully. The use of substitute replacement parts that do not have the same safety characteristics as specified in the parts list may create shock, fire or other hazards.

SPECIFICATIONS

GENERAL

OUTPUT (at 1kHz 0dB level): Headphones / earphones (stereo mini-jack)
15mW + 15mW at 16ohms to 32ohms

POWER REQUIREMENTS: 3V == (2 x AA / LR6 / MN 1500) alkaline batteries,
or DC IN 6V, 350mA power adaptor
Polarity of plug 

DIMENSIONS: Approx. 153 x 30 x 128 mm (W/H/D)

WEIGHT: Approx. 200g (not include batteries)

OPERATING VOLTAGE:

U.S.A. 120V AC±5% 60Hz	Middle East and Australia: 240V AC±5% 50Hz	UK and Germany 230V AC±5% 50Hz
Chile: 230V AC±5% 50Hz	Singapore, Malaysia & Thailand 200-240V AC±5% 50 Hz	Japan 100V AC±5% 50/60Hz

We continually strive to improve our products, specifications may change without notice.

PERFORMANCE SPECIFICATIONS

GENERAL TEST CONDITION	
Power Supply	: AC - DC Adaptor 100V: 6V DC 60Hz Battery: 3V (AA x 2) 120V: 6V DC 60Hz 230V: 6V DC 50Hz 110/220V: 6V
Headphone Output Load	: 16 ohm or 32 ohm
Reference Output	: 5mW
Input Signal Source	: CBS SONY YED7 (PTD-001) SONY PHILIPS SBC 444A (TCD-725, TDC-731, TDC-712) A. Bex
Remarks	: All data should be checked at main unit.

Earphone Output:				
	TEST ITEMS	UNIT	NOMINAL	LIMIT
1	10% THD Output Power (1kHz, 0dB) (16 or 32ohm)	mW	-	12
*2	Signal to Noise Ratio (1kHz)	dB	76	70
*3	Channel Separation (1kHz, 0dB)	dB	55	45
*4	Total Harmonic Distortion 1kHz	%	0.3	1
5	Frequency Response (1kHz, 0dB)	100Hz	±1	±3
		10kHz	±1	±3
		20kHz	±3	±6

*with external A filter

Playability Testing				
	TEST ITEMS	UNIT	LIMIT	
1	Interruption (PHILIPS SBC-444A)	mm	0.6	
2	Black Dot (PHILIPS SBC-444A)	mm	0.6	
3	Finger Print (ESP OFF) (PHILIPS SBC-444A)	-	TNO, 18, 19	
4	Vertical (A.Bex TDC-731R)	mm	0.5	
5	Eccentricity (A. Bex TDC-712R)	µm	140	

ELECTRICAL PARTS LIST

Ref. No.	Description	Mfr's Part No.	Qty.
PCB			
MAIN PCB	PCB CDM29R-01-01 203x132x0.8mm/2 (FR4)	033-CDM29R-100	1
CONTROL PCB	PCB CDM29R-01-02 190x81.5x0.8mm/3 (94HB) SINGLE SIDED	033-CDM29R-101	1
RESISTORS			
R101	*CdF RESISTOR 100 ohm	001-010151-016	1
R104,532	*CdF RESISTOR 1 Kohm	001-010251-016	2
R501,507,509,609	*CdF RESISTOR 10 Kohm	001-010351-016	4
R103,502,505,531,610	*CdF RESISTOR 100 Kohm	001-010451-016	5
R121	RESISTOR 18 Kohm	001-018351-016	1
R611	*CdF RESISTOR 22 Kohm	001-022351-016	1
R102,105	*CdF RESISTOR 4.7 ohm	001-047851-016	2
R511	CHIP RESISTOR 4.7 Kohm +-5% 1/16W (0603/1608)	001-347252-016	1
R401,402	CHIP RESISTOR 10 Kohm +-5% 1/16W (T&W) (0402/1005)	001-310356-016	2
J000	CHIP RESISTOR 0 ohm +-5% 1/8W (1206/3216)	001-300051-018	1
R604	CHIP RESISTOR 10 ohm +-5% 1/16W (0402/1005)	001-310056-016	1
R100,608	CHIP RESISTOR 100 ohm +-5% 1/16W (T&W) (0402/1005)	001-310156-016	2
R314,315,603	CHIP RESISTOR 1 Kohm +-5% 1/16W (0402/1005)	001-310256-016	3
R517	CHIP RESISTOR 10 Kohm +-5% 1/16W (0603/1608)	001-310352-016	1
R506,508	CHIP RESISTOR 10 Kohm +-5% 1/16W (T&W) (0402/1005)	001-310356-016	2
R112	CHIP RESISTOR 100 Kohm +-5% 1/16W (0402/1005)	001-310456-016	1
R120,520	CHIP RESISTOR 1 Mohm +-5% 1/16W (T&W) (0402/1005)	001-310556-016	2
R605,615	CHIP RESISTOR 12 Kohm +-5% 1/16W (0402/1005)	001-312356-016	2
R140,141	CHIP RESISTOR 1.2 Mohm +-5% 1/16W (0402/1005)	001-312556-016	2
R303	CHIP RESISTOR 180 Kohm +-5% 1/16W (0402/1005)	001-318456-016	1
R106,107,108,109	CHIP RESISTOR 20 Kohm +-5% 1/16W (0402/1005)	001-320356-016	4
R304,305	CHIP RESISTOR 2.2 Kohm +-5% 1/16W (0402/1005)	001-322256-016	2
R518	CHIP RESISTOR 22 Kohm +-5% 1/16W (0603/1608)	001-322352-016	1
R110,111,123	CHIP RESISTOR 22 Kohm +-5% 1/16W (0402/1005)	001-322356-016	3
R302	CHIP RESISTOR 2.2 ohm +-5% 1/16W (0402/1005)	001-322856-016	1
R606,617	CHIP RESISTOR 27 Kohm +-5% 1/16W (0402/1005)	001-327356-016	2
R306,307	CHIP RESISTOR 30 Kohm +-5% 1/16W (0402/1005)	001-330356-016	2
R118	CHIP RESISTOR 33 Kohm +-5% 1/16W (0402/1005)	001-333356-016	1
R114	CHIP RESISTOR 470 ohm +-5% 1/16W (0402/1005)	001-347156-016	1
R119	CHIP RESISTOR 4.7 Kohm +-5% 1/16W (0402/1005)	001-347256-016	1
R115,301,616	CHIP RESISTOR 47 Kohm +-5% 1/16W (0402/1005)	001-347356-016	3
R117	CHIP RESISTOR 470 Kohm +-5% 1/16W (0402/1005)	001-347456-016	1
R127	CHIP RESISTOR 4.7 ohm +-5% 1/16W (0402/1005)	001-347856-016	1
R510	CHIP RESISTOR 6.8 Kohm +-5% 1/10W (0805/2012) (MCR10EZHZ-682)	001-368250-010	1
R515	CHIP RESISTOR 6.8 Kohm +-5% 1/16W (0603/1608)	001-368252-016	1
R122,302	CHIP RESISTOR 75 Kohm +-5% 1/16W (0402/1005)	001-375356-016	2
R607	CHIP RESISTOR 8.2 Kohm +-5% 1/16W (0402/1005)	001-382256-016	1
R116,504	CHIP RESISTOR 91 Kohm +-5% 1/16W (0402/1005)	001-391356-016	2
R622,623	CHIP RESISTOR 8.2 ohm +-5% 1/10W (0805/2012)	001-382850-010	2
VR301	VR-C16M&G&010KA&SH&D (ROTARY VOLUME) EVU TV2 B19 A14 20849	030-C10103-209	1
CAPACITORS			
C401	CERAMIC CAP 0.1 uF/50V +80-20% (UP050F104Z-BB) (AXIAL TAPED 52mm)	003-210481-050	1
C119,135,501,503,504, 505,616	CERAMIC CAP 0.1 uF/50V +80-20% (UP050F104Z-BB) (AXIAL TAPED 52mm)	003-210481-050	7
C608	CHIP CAP 0.001 uF/50V +-10% (0402/1005) (GRM36X7R102K50PT)	003-510214-050	1

ELECTRICAL PARTS LIST - CONTINUED

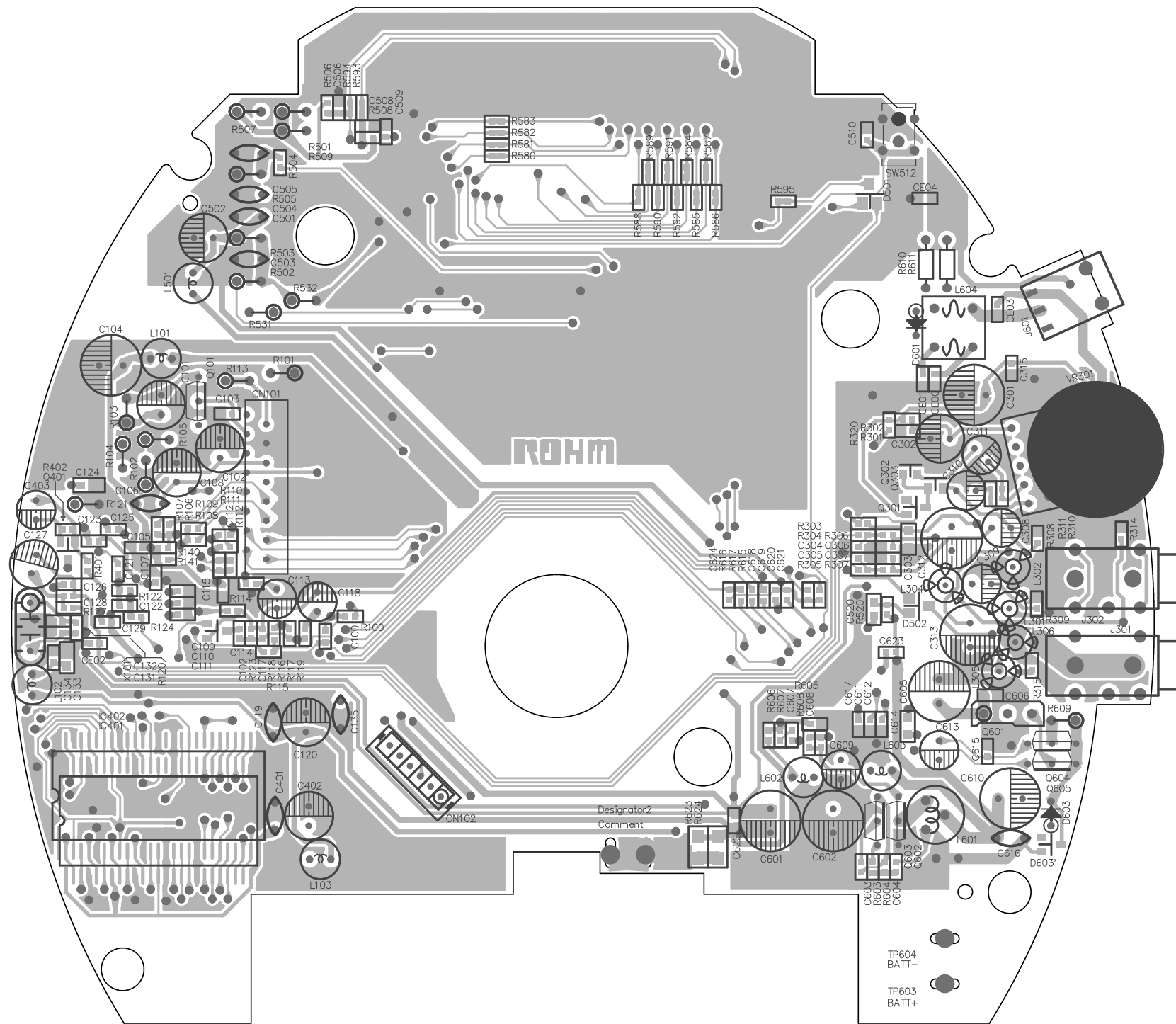
Ref. No.	Description	Mfr's Part No.	Qty.
C124,133,303,614	CHIP CAP 1 uF/10V +80-20% (0603/1608)	003-510582-010	4
C103	CHIP CAP 0.01 uF/16V +-10% (0402/1005) (GRM36X7R103K16PT)	003-510314-016	1
C107,110,111,115,117, 126,128,129,134,315, 506,508,509,510,604, 606,612,615,617,622, 623,624, CE01,02,03,04	CHIP CAP 0.1 uF/16V +80-20% (0402/1005)	003-510484-016	26
C121	CHIP CAP 0.0022 uF/50V +-10% (0402/1005) (GRM36X7R222K50PT)	003-522214-050	1
C607,618,619,620,621	CHIP CAP 0.022 uF/16V +-10% (0402/1005)	003-522314-016	5
C114	CHIP CAP 0.22 uF/10V +80-20% (0402/1005)	003-522484-010	1
C109,611	CHIP CAP 470 pF/50V +-10% (0402/1005)	003-547114-050	2
C304,305,306,307	CHIP CAP 560 pF/50V +-10% (0402/1005)	003-556114-050	4
C125	CHIP CAP 0.0068 uF/25V +-10% (0402/1005)	003-568214-025	1
C112	CHIP CAP 120 pF/50V +-5% NPO (0402/1005)	003-612154-050	1
C100,131,132	CHIP CAP 15 pF/50V +-5% NPO (0402/1005) (GRM36C0G150J50PT)	003-615054-050	3
C122,123	CHIP CAP 150 pF/50V +-5% NPO (0402/1005)	003-615154-050	2
C603	CHIP CAP 47 pF/50V +-5% NPO (0402/1005)	003-647054-050	1
C605,610	ELECT CAP 220 MFD/10V +-20% (SMALL SIZE) (6.3x7)	006-122100-10D	2
C113,403	ELECT CAP 3.3 MFD/25V +-20% (SMALL SIZE) (MAD/4x5)	006-203000-25C	2
C308,309	ELECT CAP 4.7 MFD/16V +-20% (SMALL SIZE) (4x5)	006-204000-16D	2
C609,613	*CdF ELECT CAP 10 MFD/16V +-20% (SMALL SIZE) (MAD/4x5)	006-210000-16C	2
C101,102,108,120,127, 402	*CdF ELECT CAP 100 MFD/4V +-20% (SMALL SIZE) (MAD/5x5)	006-210100-04C	6
C118	*CdF ELECT CAP 22 MFD/16V +-20% (SMALL SIZE) (UMJ1C220/5x5)	006-222000-16C	1
C104,301,312,313,601, 602	ELECT CAP 220 MFD/4V +-20% (SMALL SIZE) (MAD/6.3x5)	006-222100-04D	6
C302,502	*CdF ELECT CAP 47 MFD/4V +-20% (SMALL SIZE) (MAD/4x5)	006-247000-04C	2
TRANSISTORS			
Q401	TR NPNSST-RAD&SC-072 DTC114TUA (ROHM)	008-A00114-Q00	1
Q101	(F008-100933-000) TR PNPSST-RAD&SC-072 2SA933S(R/S) 2SA933ASS/2SA933ASTPR/S	008-109330-000	1
Q601	TRLPNPPWR-RAD&SC-072 2SB1237 (ROHM)	008-201237-000	1
Q602,603	TR NPNGEN-RAD&SC-072 2SC4115SR/Q/S/ STPR/STPQ/STPS	008-304115-000	2
Q604,605	TR NPNSST-SMT&SC-072 2SC1740S-Q/R (ROHM) (TAPING)	008-317400-001	2
Q102	TR PNPGEN-TAP&SC-70& DTA124EUA (ROHM) (SMD)	008-A00124-800	1
INTEGRATED CIRCUITS			
IC501	ICMCU-16K-LCD BU24590-8J 4BIT 1CHIP CPU	010-352459-005	1
IC101	ICCDP-005CDSP BU9534KV CD SERVO WITH BUILT IN DRAM CONTROLLER	010-359534-000	1
IC301	ICAMP-HEAD-ST-0.001W BH4453F	010-404453-000	1
IC601	ICMOTORDRIVER-04CH BH6575FV	010-406575-000	1
IC401	ICRAMS-01x016M W981616BH-7	045-Q01016-205	1
DIODES			
D603	ZENER DIODE BZX84-C6V2 6.2V	011-010062-006	1
D601	RECTIFIER IN-4001B/IN-4001 (DC)	011-024001-000	1

ELECTRICAL PARTS LIST - CONTINUED

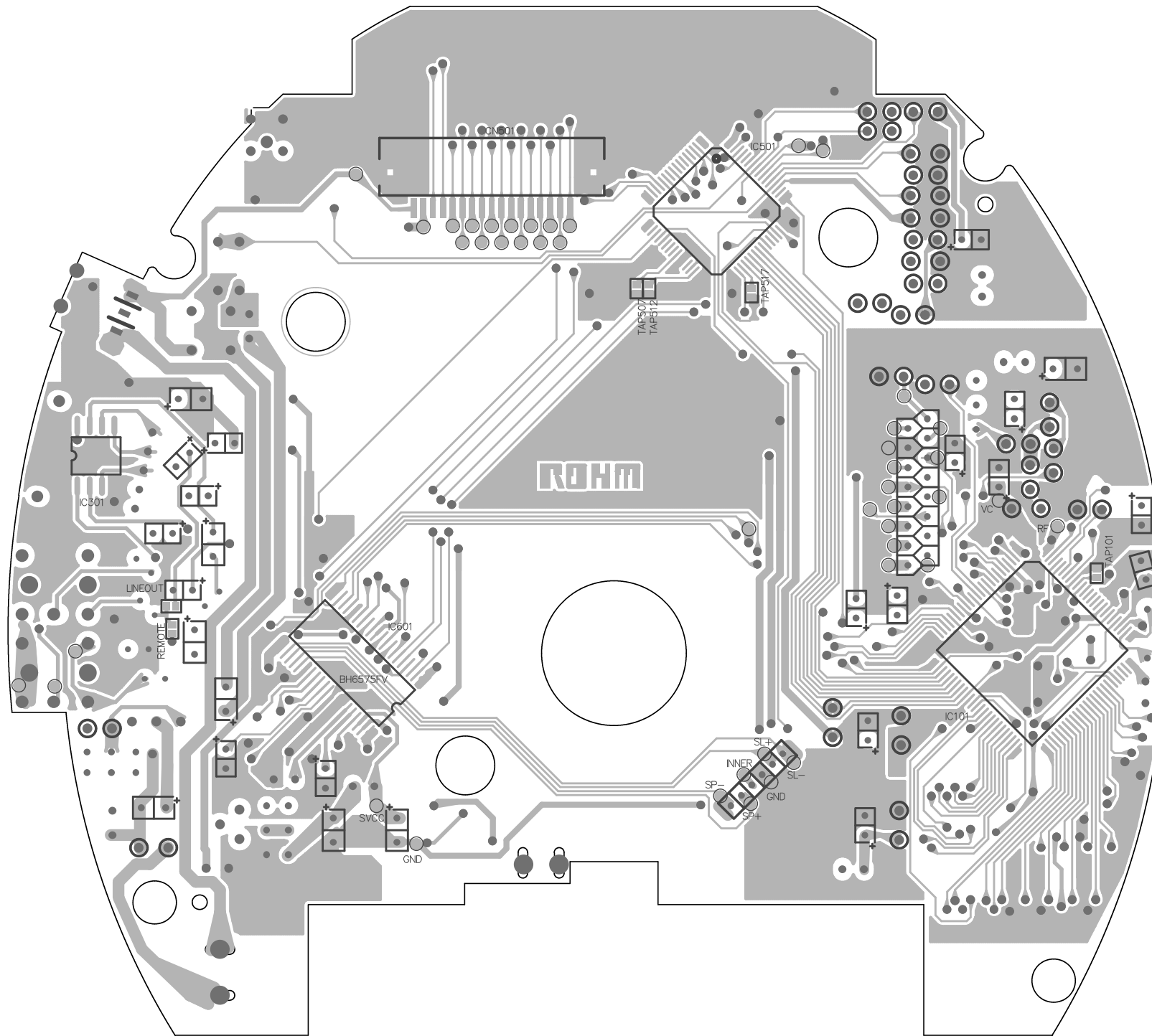
Ref. No.	Description	Mfr's Part No.	Qty.
D501	CHIP DIODE DAN202U	011-040202-003	1
INDUCTORS			
L601	IFT R0002-CY68-950M-825549 10mm	012-825549-010	1
L101	*CdF INDUCTOR 10 uH +-10% LAL03TB100K (TAYIO YUDEN)	018-010015-201	1
L603	CHOKO COIL 330 uH +-10% CW45-331K	018-030335-202	1
L102,103,501	*CdF INDUCTOR 100 uH /1128/CEC-101K +-10% LAL03 TB 101K	018-010014-000	3
L602	CHOKO COIL 10 uH +-10% CW34-100K	018-030015-200	1
RESONATOR			
X101	CERAMIC RESONATOR 16.93 MHz ZTA16.93MX (ZHEJIANG JIAKANG)	020-001693-005	1
SWITCH			
SW512	TACT SW (DETECTRO SWITCH) 1P1T, DTS-03-B/1120-1	021-001111-001	1
MISCELLANEOUS			
(OPTIONAL)	HEADPHONE SET #CBX15RS (COBALT) IN-EAR+VOL.CONTROL (SUPPLIED BY BUYER)	114-000015-001	1
(OPTIONAL)	HEADPHONE SET #AR-103/AR103-LT IN EAR	114-010103-0001	1
(OPTIONAL)	APD-EI35BSI&350MA/SO 230V:6Vdc BSI STD (320B-06351D/GOODMANS/TYP 26A)	133-020635-016	1
(OPTIONAL)	APD-EI35GS&&350MA/SO 230V:6VDC CE STD PLUG*3.5x8 (35V-D0635)	133-020635-017	1
	HEAT SEAL CONN 13 PINS 20mm PITCH:1mm YUTEK/TAIWAN 1310S-20C	059-130020-100	1
L604	TOROIDAL COIL 26 uH TX2405020821-1	037-240502-261	1
L304,305	*CdF BEAD COIL B3534/BA1203033534 100MHZ w/FERRITE CORE (K6/CORE-TECH) (H6A/HUOHYOW)	037-003534-100	2
L303	TOROIDAL COIL BA1203030835 100MHZ	037-120835-100	1
UNIT"PC"	FLEXIBLE PWB 17PINS L=163.2mm(81.6+81.6) P:0.5&1.0mm MATERIAL:POLYESTER S-0187B LCD-P-02D-2616SM000P JT4-02006 VOP:3.0V 26x16x2.8mm REF./POSITIVE SDT-DA065-RP-1	044-170163-005	0.5
J302	HEADPHONE JACK HSJ1715-01-112 (GREEN) TC38-072-02/EJS-3-0935G	112-002006-001	1
J601	DC JACK #TC18-077-01 (TAI CHUNG) (87-A60-122-019)	116-001715-000	1
CN601	HEADER JST 6 PINS W150V-06T PITCH 1.5mm VERTICAL TYPE FFC/FPC CONNECTOR 16 PINS PITCH:1mm #D100-DRA-16 DOUBLE CONTACT (CdF)	120-118077-001	1
CN501	FFC SOCKET 17 PINS PITCH:1mm #FPC1.0C-SMT-17PW CD&-PTB-01-SAMG-N CD MECHANISM CMS-M99DG6 SAMSUNG	135-B06BZR-061	1
FOR CAR KIT ONLY	CAR KIT FOR DM8200 (OPTIONAL) CAR CASS.+CONN+CAR, PLUG+PLASTIC PLATFORM (BY BUYER)	135-D100DR-160	1
		135-FPCSMT-170	1
		153-000996-000	1
		133-038200-000	1KT

PRINTED CIRCUIT BOARDS

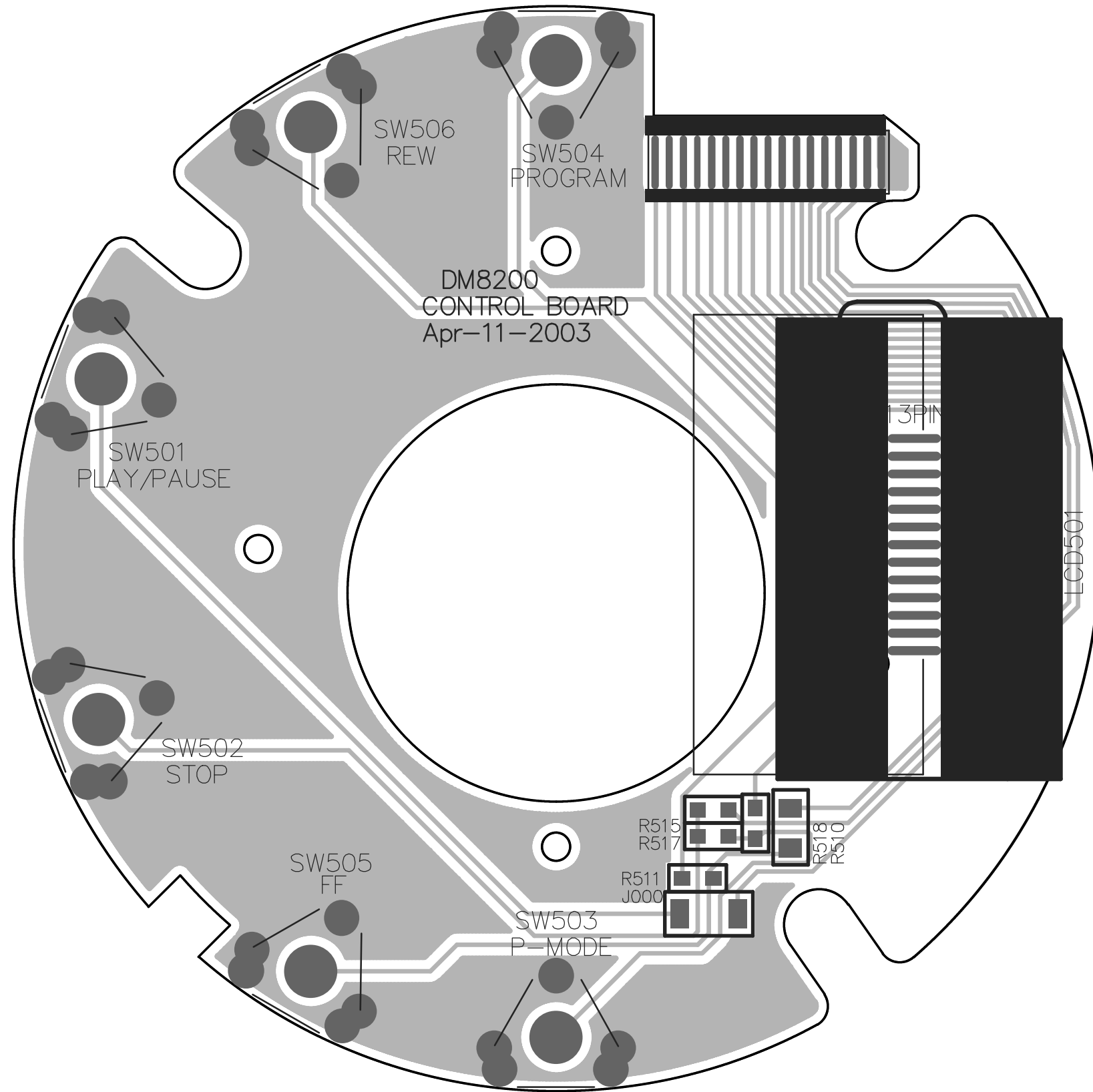
MAIN PCB (TOP VIEW) CDM29R-01-01



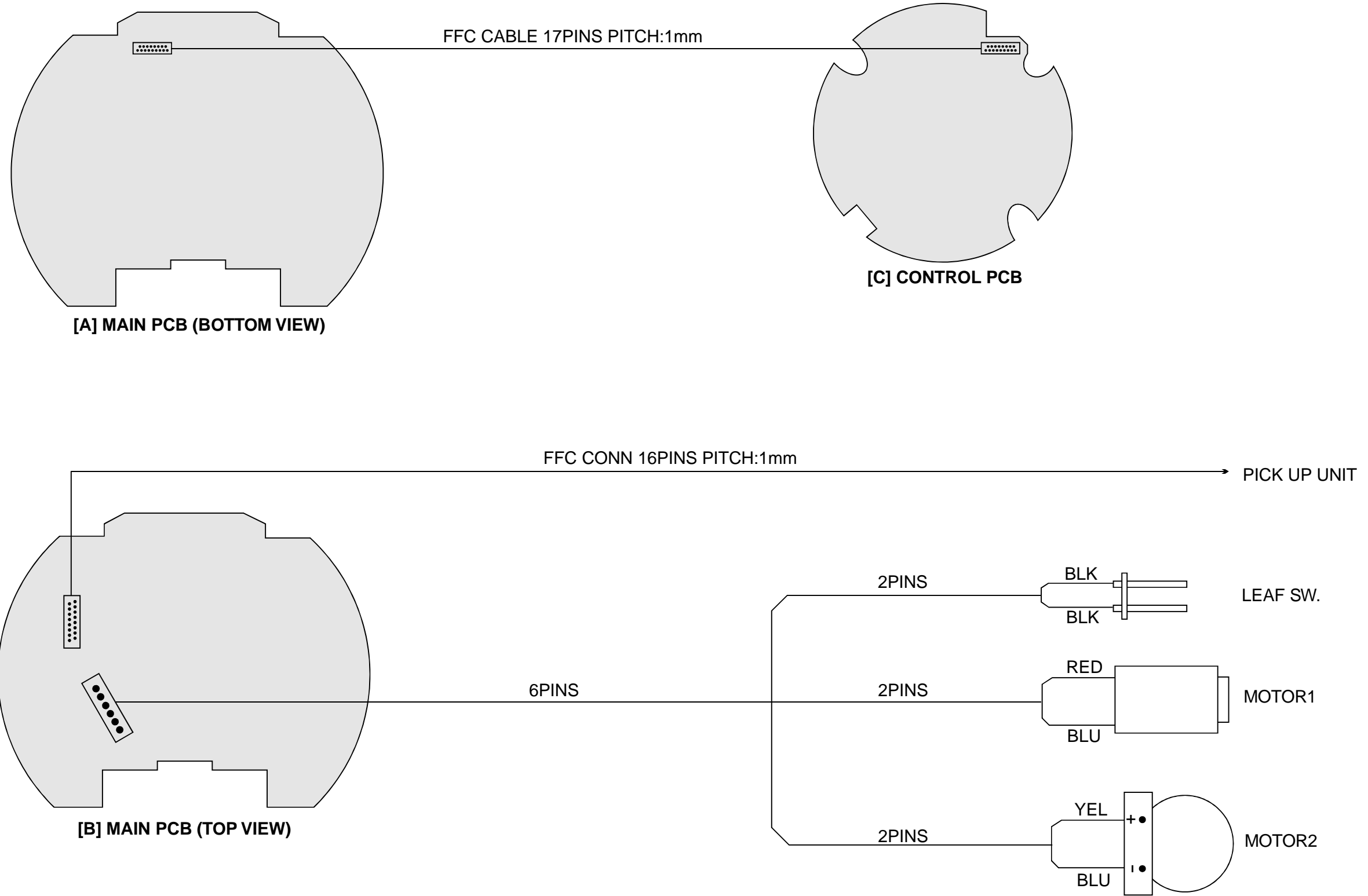
MAIN PCB (BOTTOM VIEW)
CDM29R-01-01



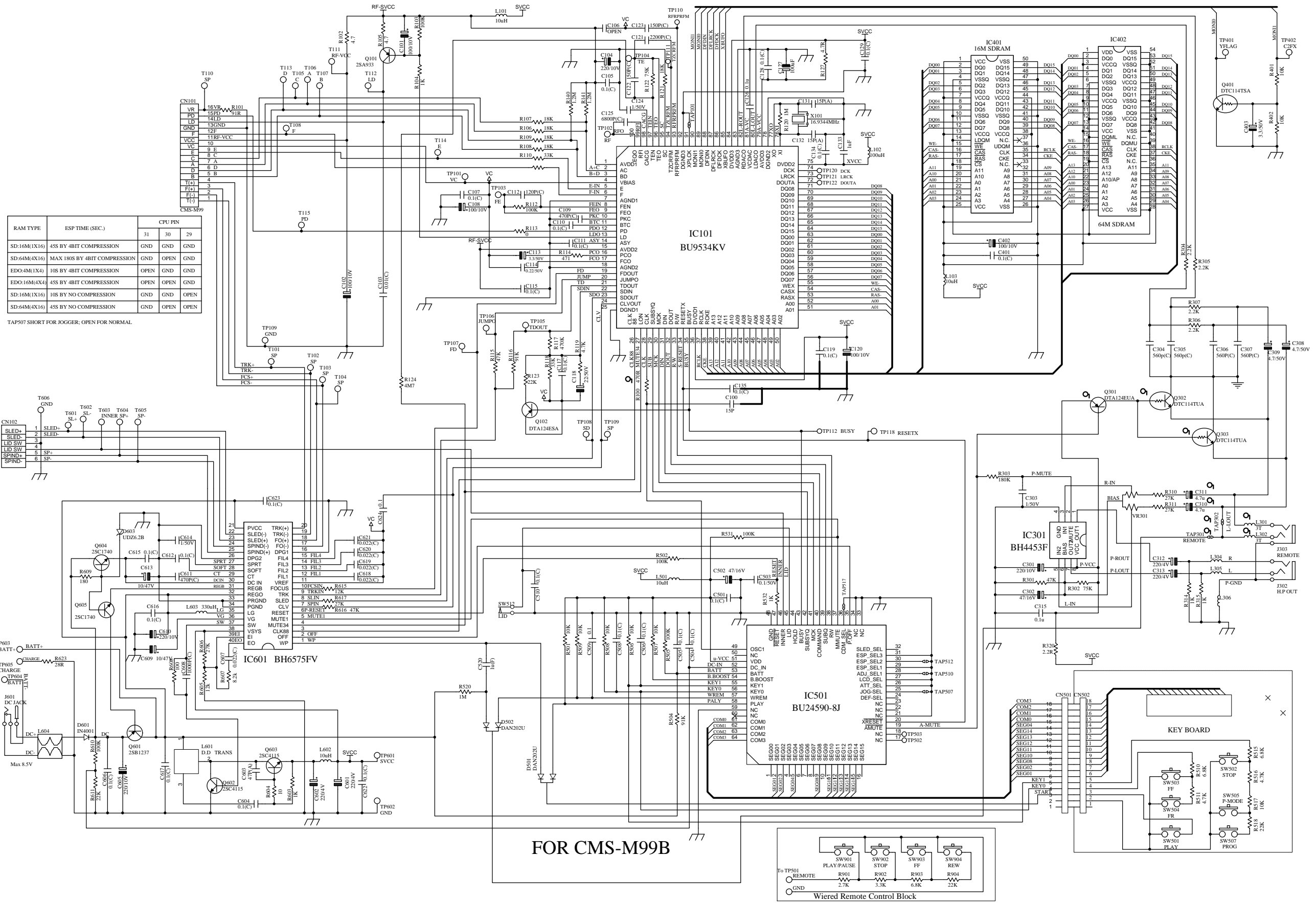
**CONTROL PCB
CDM29R-01-02**



WIRING DIAGRAM



SCHEMATIC DIAGRAM



- NOTES:**
1. All resistance values are indicated in "ohms" (k=1000 ohms. M=1000 Kohms).
 2. All capacitance values are indicated in "uF" (p=10⁻⁶uF).

VOLTAGE CHART

THE MEASURED VALUE IS DC VOLTAGE

UNIT: V

TEST CONDITION: CD PLAY

IC101 (BU9534KV)

PIN'S NUMBER	1	2	3	4	5	6	7	8	9	10
CD PLAY	2.87	1.48	1.47	1.44	1.49	1.49	0	1.44	1.44	1.96
PIN'S NUMBER	11	12	13	14	15	16	17	18	19	20
CD PLAY	0.95	0.19	1.97	1.44	2.87	1.44	1.25	0.02	1.50	1.46
PIN'S NUMBER	21	22	23	24	25	26	27	28	29	30
CD PLAY	1.64	1.63	1.85	1.69	0	1.47	2.93	1.46	0.08	2.91
PIN'S NUMBER	31	32	33	34	35	36	37	38	39	40
CD PLAY	1.90	0.17	2.71	2.92	2.95	2.93	1.46	0.41	0.02	0.02
PIN'S NUMBER	41	42	43	44	45	46	47	48	49	50
CD PLAY	0.02	2.32	0	0	2.32	2.32	2.44	2.40	2.00	2.00
PIN'S NUMBER	51	52	53	54	55	56	57	58	59	60
CD PLAY	1.99	1.70	2.44	2.45	2.79	1.33	1.42	1.37	1.42	1.39
PIN'S NUMBER	61	62	63	64	65	66	67	68	69	70
CD PLAY	1.37	1.39	1.38	1.34	1.33	1.39	1.41	1.39	1.43	1.40
PIN'S NUMBER	71	72	73	74	75	76	77	78	79	80
CD PLAY	2.05	1.48	1.50	1.44	2.95	1.50	1.47	0.04	2.94	1.48
PIN'S NUMBER	81	82	83	84	85	86	87	88	89	90
CD PLAY	1.48	1.49	0.03	2.94	2.93	2.94	2.94	2.94	2.94	0.03
PIN'S NUMBER	91	92	93	94	95	96	97	98	99	100
CD PLAY	2.93	0.03	2.17	1.45	0.39	1.57	1.44	0.87	1.45	1.52

IC501 (BU24590-8J)

PIN'S NUMBER	1	2	3	4	5	6	7	8
CD PLAY	0	1.47	1.47	1.47	0	1.47	1.48	1.50
PIN'S NUMBER	9	10	11	12	13	14	15	16
CD PLAY	1.48	1.48	1.49	1.49	1.49	1.49	1.49	0
PIN'S NUMBER	17	18	19	20	21	22	23	24
CD PLAY	0	0	2.93	2.93	0	0.00	2.92	2.92
PIN'S NUMBER	25	26	27	28	29	30	31	32
CD PLAY	2.92	0	0	2.92	0	0	0	0
PIN'S NUMBER	33	34	35	36	37	38	39	40
CD PLAY	0	0	2.92	0	0	2.73	0.09	1.02
PIN'S NUMBER	41	42	43	44	45	46	47	48
CD PLAY	0	0	2.93	2.92	0.00	2.92	0.22	0.02
PIN'S NUMBER	49	50	51	52	53	54	55	56
CD PLAY	1.46	1.30	2.93	0	1.50	0	2.92	0
PIN'S NUMBER	57	58	59	60	61	62	63	64
CD PLAY	2.92	2.92	0	0.02	1.46	1.46	1.46	1.46

IC601 (BH6575FV)

PIN'S NUMBER	1	2	3	4	5	6	7	8	9	10
CD PLAY	2.83	2.92	1.47	2.93	0.03	2.91	1.44	1.48	2.08	1.44
PIN'S NUMBER	11	12	13	14	15	16	17	18	19	20
CD PLAY	1.44	1.41	1.44	1.44	1.44	0.02	0.12	0.32	0.10	0.05
PIN'S NUMBER	21	22	23	24	25	26	27	28	29	30
CD PLAY	2.94	0	0	0	2.95	0	0.06	1.06	0	0
PIN'S NUMBER	31	32	33	34	35	36	37	38	39	40
CD PLAY	0	0	0	0	2.96	5.94	0.24	2.93	0.92	0.43

VOLTAGE CHART - CONTINUED

IC401 (W981616BH-7)

PIN'S NUMBER	1	2	3	4	5	6	7	8	9	10
CD PLAY	2.91	2.05	2.05	0	2.03	1.92	2.91	2.07	2.08	0
PIN'S NUMBER	11	12	13	14	15	16	17	18	19	20
CD PLAY	2.06	1.93	2.91	0	2.29	2.43	2.43	0	2.44	2.32
PIN'S NUMBER	21	22	23	24	25	26	27	28	29	30
CD PLAY	1.41	1.80	2.00	1.95	2.91	0	0.62	2.80	0.14	0.14
PIN'S NUMBER	31	32	33	34	35	36	37	38	39	40
CD PLAY	1.20	1.14	0	0.31	1.46	0.01	0.39	2.91	1.36	1.77
PIN'S NUMBER	41	42	43	44	45	46	47	48	49	50
CD PLAY	0	1.34	1.34	2.93	1.33	1.78	0.03	1.51	1.21	0.02

IC301 (BH4453F)

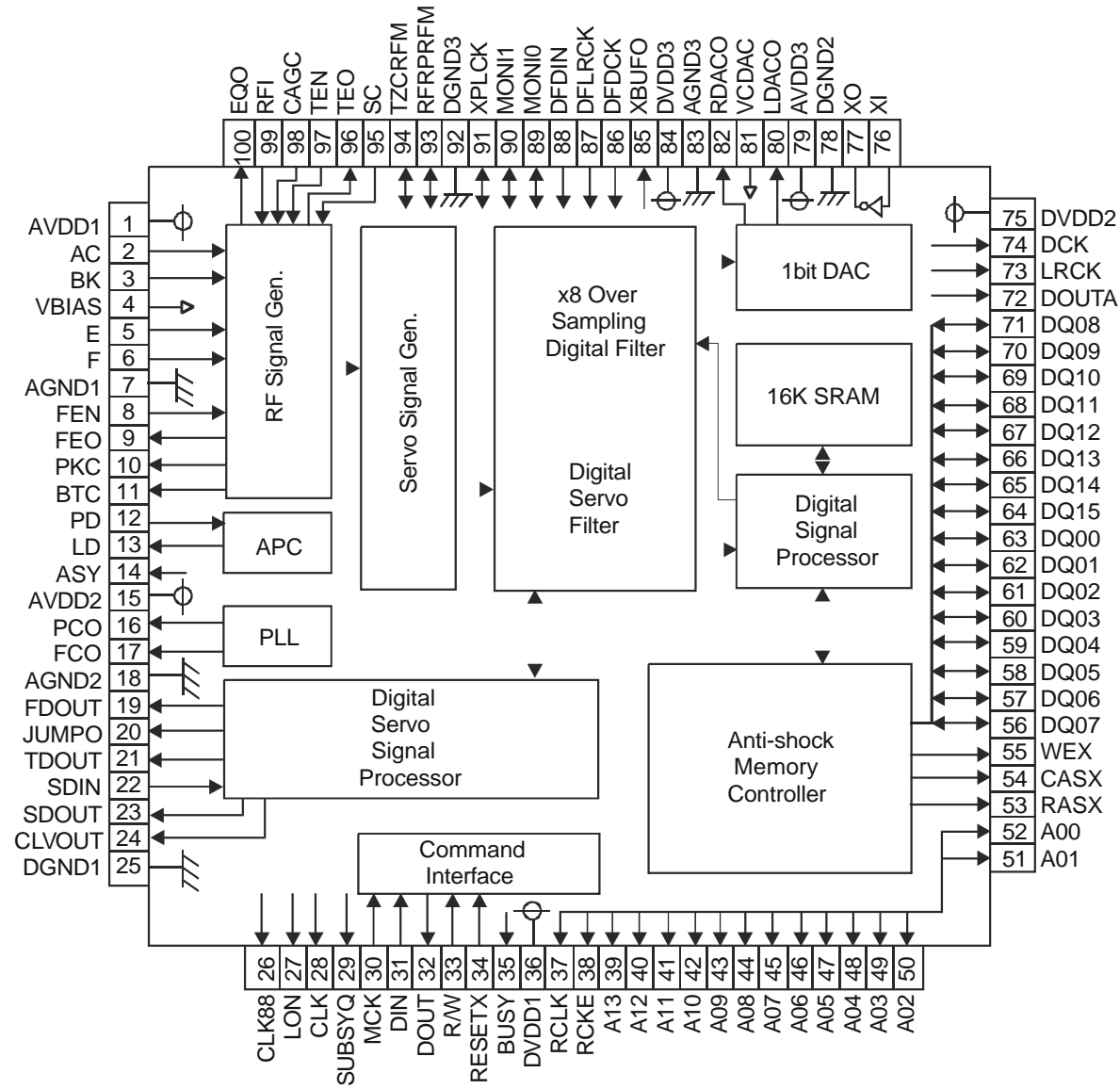
PIN'S NUMBER	1	2	3	4	5	6	7	8
CD PLAY	1.07	1.52	1.09	0	1.09	1.09	1.08	2.92

ALIGNMENT SET-UP PROCEDURES

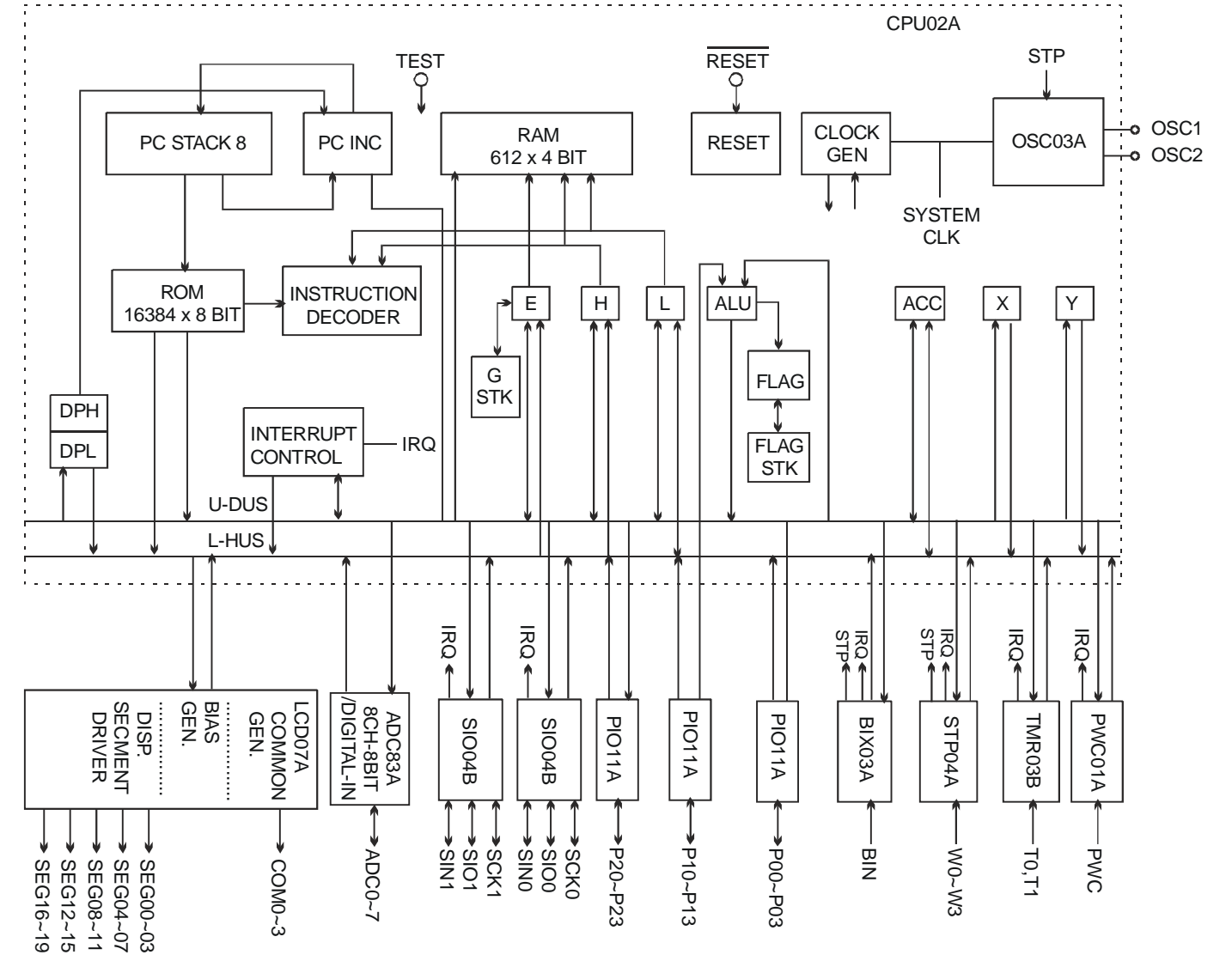
There is no need to adjust the CD servo PWB. Because auto-adjustment function has been set by the CPU.

IC LEAD IDENTIFICATION & INTERNAL DIAGRAMS

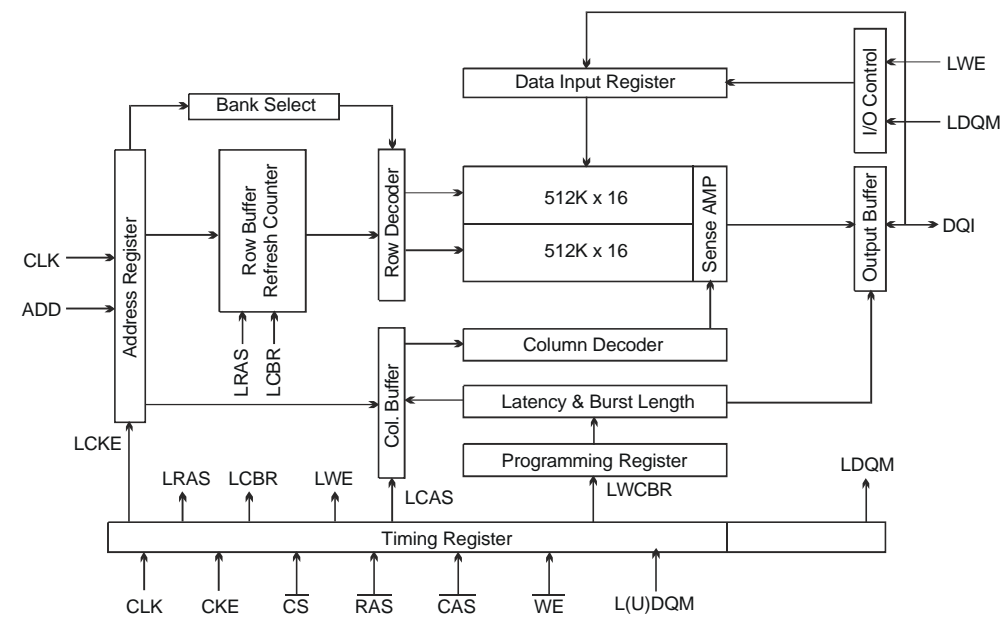
IC101 BU9534KV



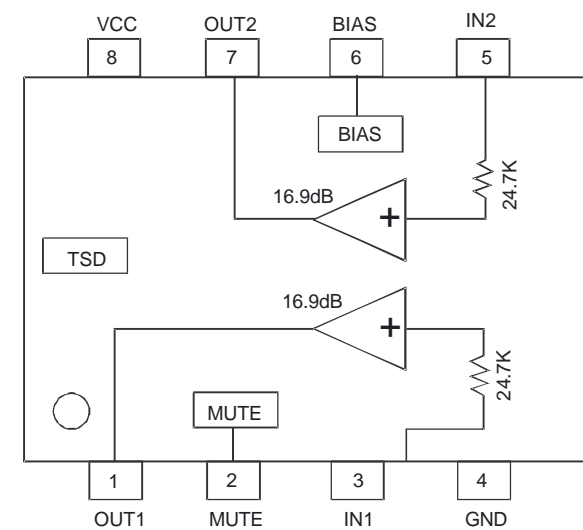
IC501 BU24590-8J



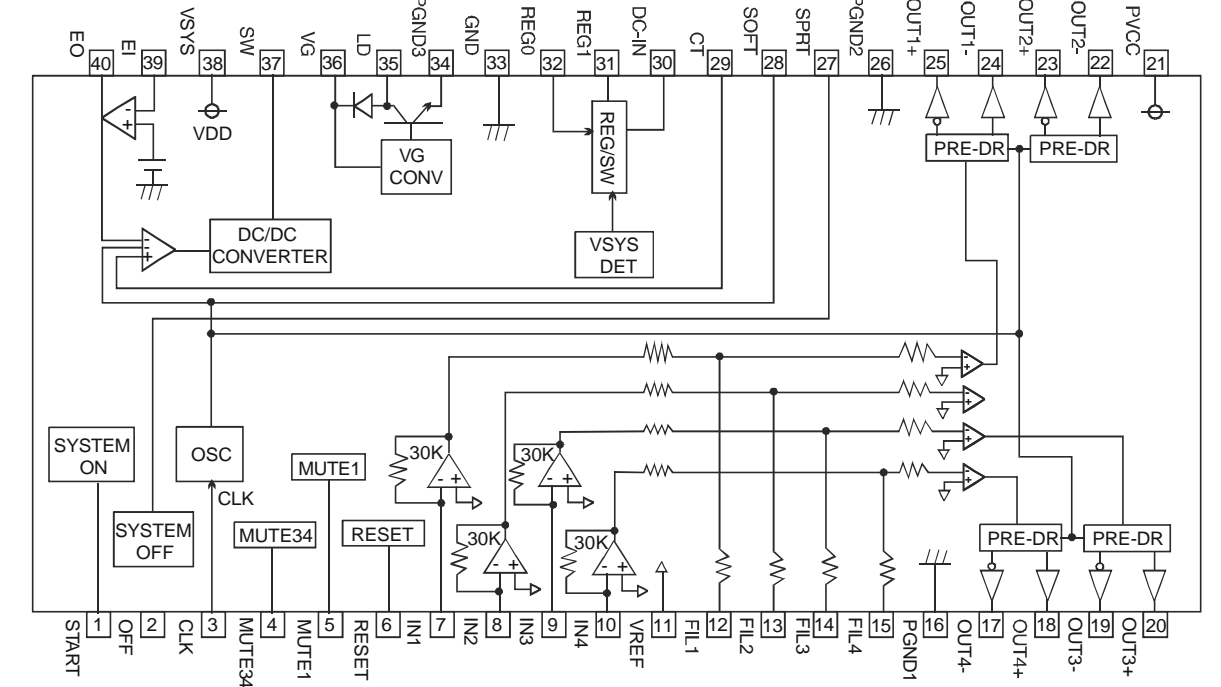
IC401 W981616BH-7



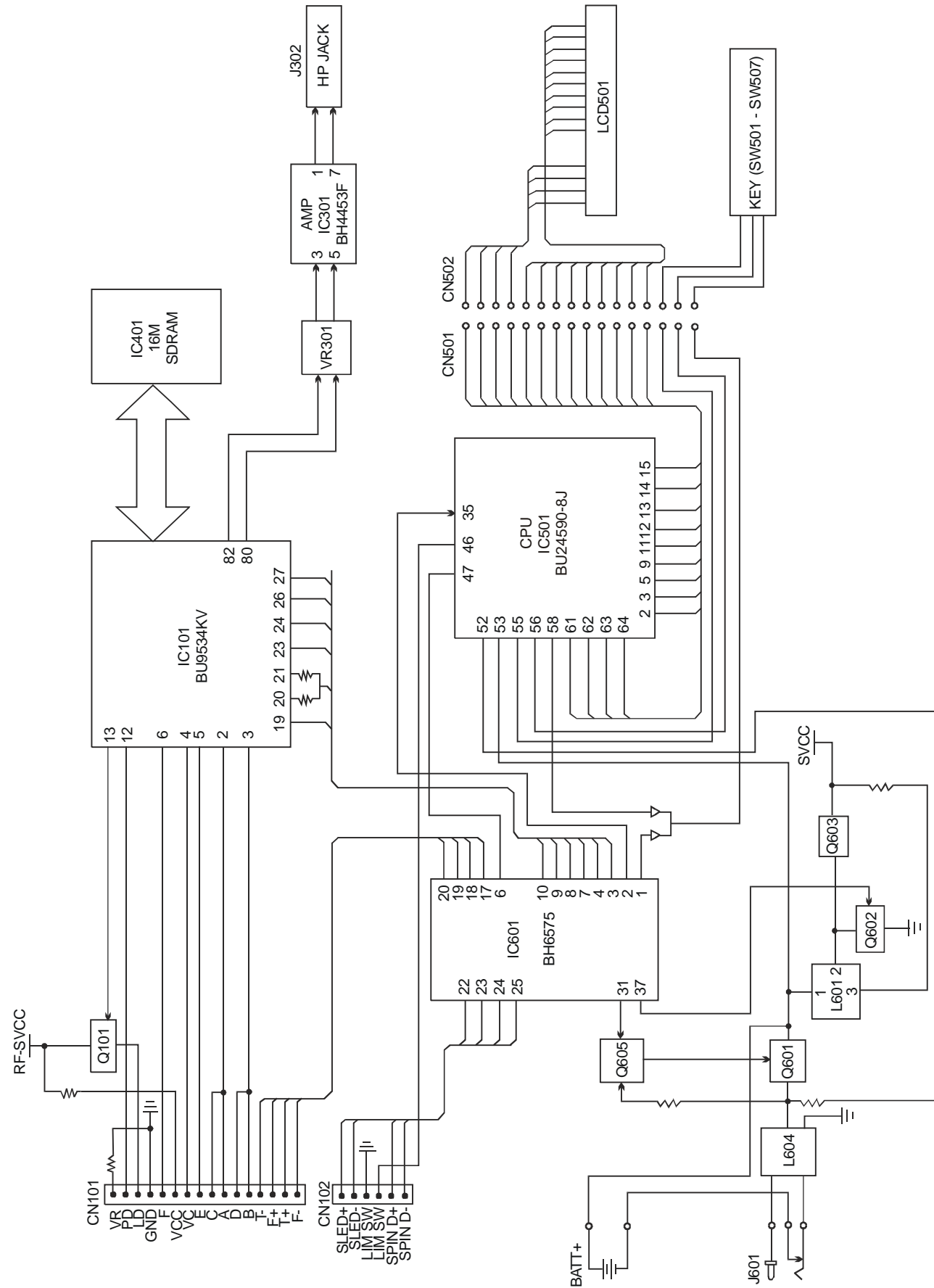
IC301 BH4453F



IC601 BH6575FV



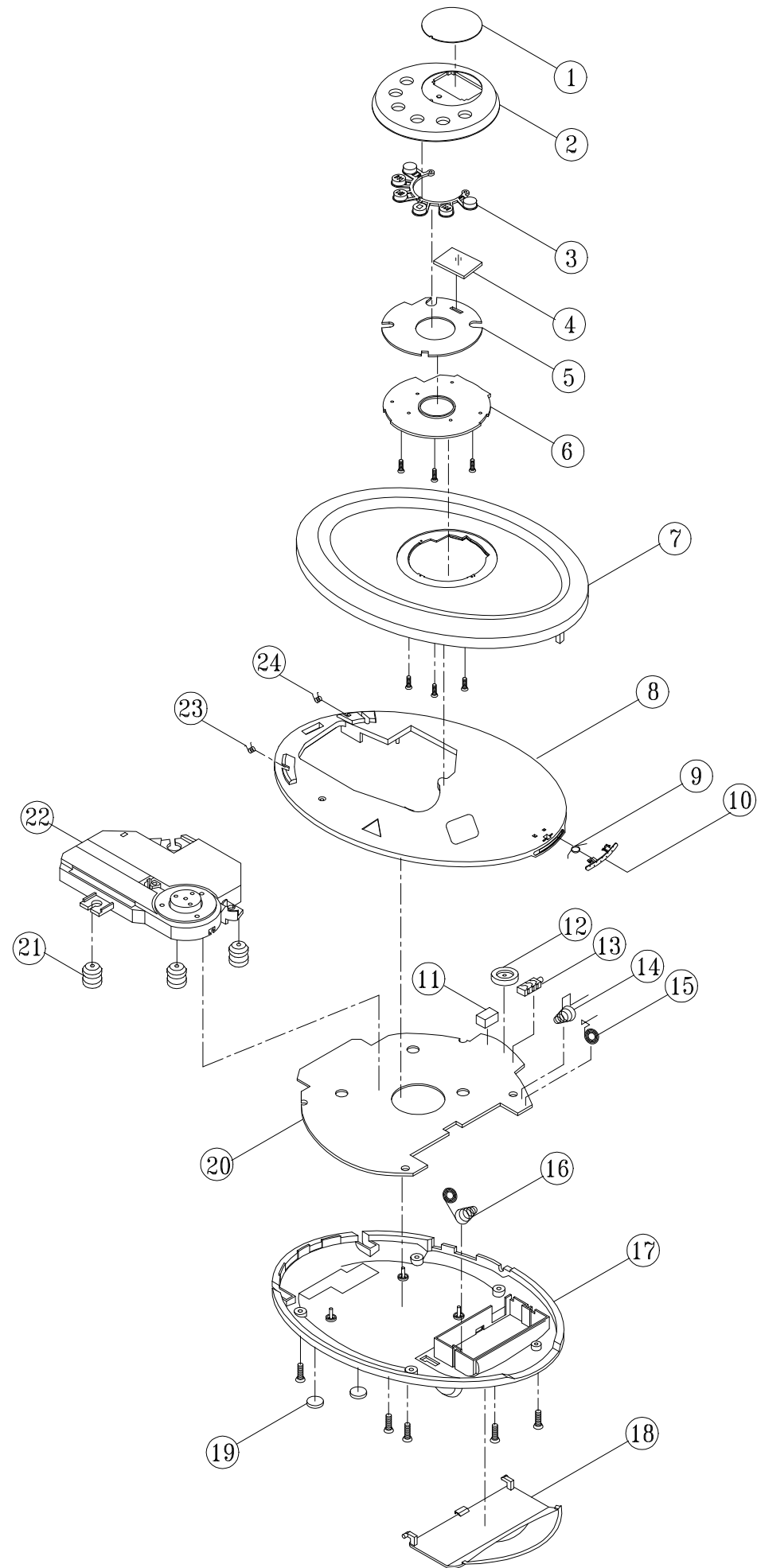
BLOCK DIAGRAM



EXPLODED DRAWING PARTS LIST

Ref. No.	Description	Mfr's Part No.	Qty.
1	DISPLAY LENS, 0.5mm TRANS PVC PNT C.GREY 9C, SIL(877C)	650-820009-020	1
2	CD DOOR COVER, MOLDED COLOR (ABS) CAV:2, w/SPY & PNT	500-820005-xxx	1
3	CD KNOB SETS, MOLD COLOR (ABS) CAV:2, w/SPY	510-820006-xxx	1
4	LCD-P-02D-2616SM000P JT4-02006 VOP:3.0V, 26x16x2.8mm REF./POSITIVE SDT-DA065-RP-1	112-002006-001	1
5	CONTORL PCB CDM29R-01-02	033-CDM29R-101	1
6	PCB COVER, MOLD COLOR, (ABS) CAV:2, w/SPY	500-820007-xxx	1
7	CD DOOR, TRANS.BLUE(A31241) (SAN) CAV:1, w/SPY & PNT	500-820001-xxx	1
8	MIDDLE CABINET, MOLD COLOR, (ABS) CAV:2, w/SPY	500-820002-xxx	1
9	LOCK SPRING, DIA=0.4mm SUS WIRE	561-876115-000	1
10	DOOR OPEN KNOB, MOLD COLOR, (ABS) CAV:4, w/SPY	510-820008-xxx	1
11	DC JACK #TC18-077-01 (TAI CHUNG) (87-A60-122-019)	J601 120-118077-001	1
12	VR-C16M&G&010KA&SH&D (ROTARY VOLUME), EVU TV2 B19 A14 20849	VR301 030-C10103-209	1
13	HEADPHONE JACK HSJ1715-01-112 (GREEN) TC38-072-02/ EJS-3-0935G	J302 116-001715-000	1
14	BATTERY SPRING (-), DIA:0.7mm SPRING WIRE WITH NICKEL	561-820016-000	1
15	BATTERY SPRING (+), DIA:0.7mm SPRING WIRE WITH NICKEL	561-820015-000	1
16	BATTERY SPRING (+/-), DIA:0.7mm SPRING WIRE WITH NICKEL	535-890319-000	1
17	BOTTOM CABINET, MOLD COLOR, (ABS) CAV:2, w/SPY	500-820003-xxx	1
18	BATTERY DOOR, MOLD COLOR, (ABS) CAV:4, W/SPY	500-820004-xxx	1
19	RUBBER FOOT, DIA:8x1.5mm BLACK, w/ADHESIVE TAPE, (PORON RUBBER)	(OPTIONAL) 700-820020-000	2
20	MAIN PCB CDM29R-01-01	033-CDM29R-100	1
21	DECK CUSHION, LB50 RUBBER	700-830020-000	3
22	CD-&PTB-01-SAMG-N CD MECHANISM CMS-M99DG6 SAMSUNG	153-000996-000	1
23	CD DOOR SPRING (L), DIA:0.6mm WITH PLATING NICKEL	561-820011-000	1
24	CD DOOR SPRING (R), DIA:0.6mm WITH PLATING NICKEL	561-820012-000	1
	BATTERY CHRAGE PLATE 0.2mm THK PHOSPHOR BRONZE	(OPTIONAL) 650-870121-000	1
	PROTECTION SHEET, 109.4x100.4mm,	(OPTIONAL) 700-8200A6-000	1
	TRANS CLEAR STATIC ELECTRONIC LBL w/ADH.		
	RIBBON 1/4" BLACK (50YDS/ROLL) - OPTIONAL	UNIT"RL" 700-000006-009	0.0018
	SCREW 1.7x3mm FLAT HEAD (B TYPE) (1.7x3IPBHF)	720-220170-300	6
	SCREW 2x8mm PB T.T.S. w/CHROMATE PLATING (PTTP2x8MC)	722-020200-082	5
	RUBBER FOAM, 28x4x2mm	UNIT"PC" 700-880117-000	0.18

EXPLODED DRAWING



JANUARY, 2004