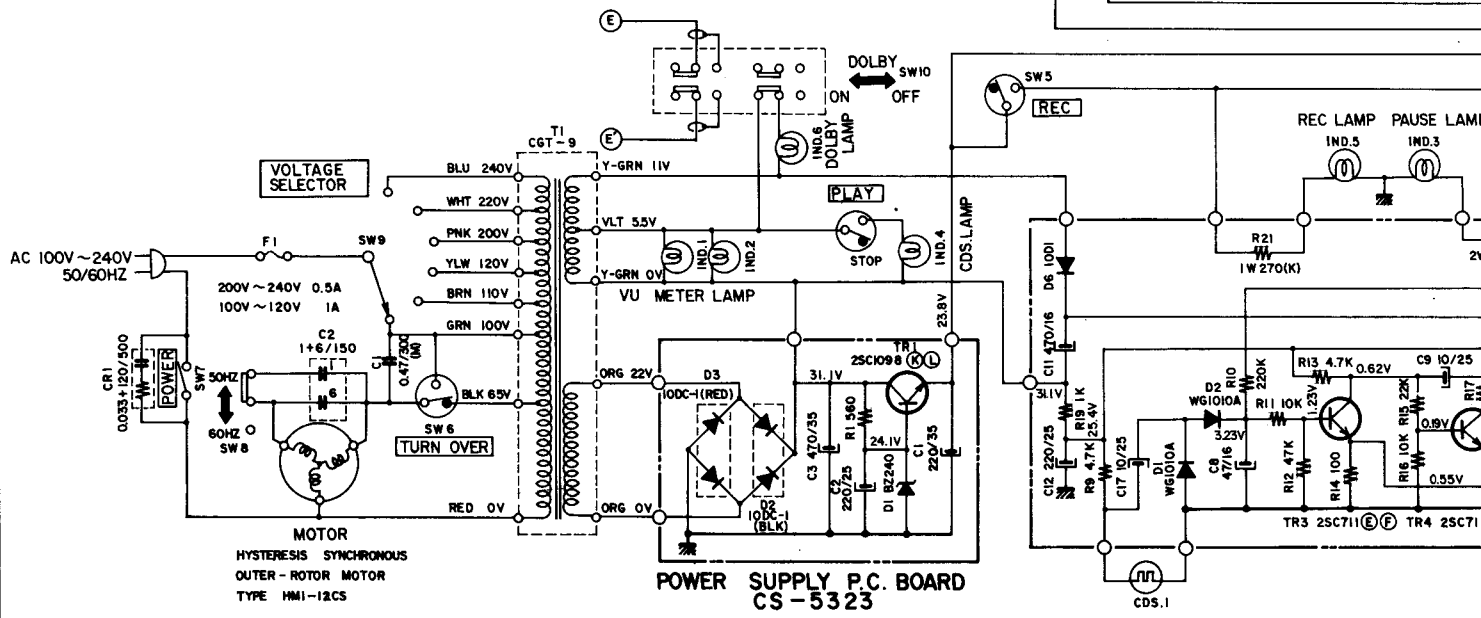
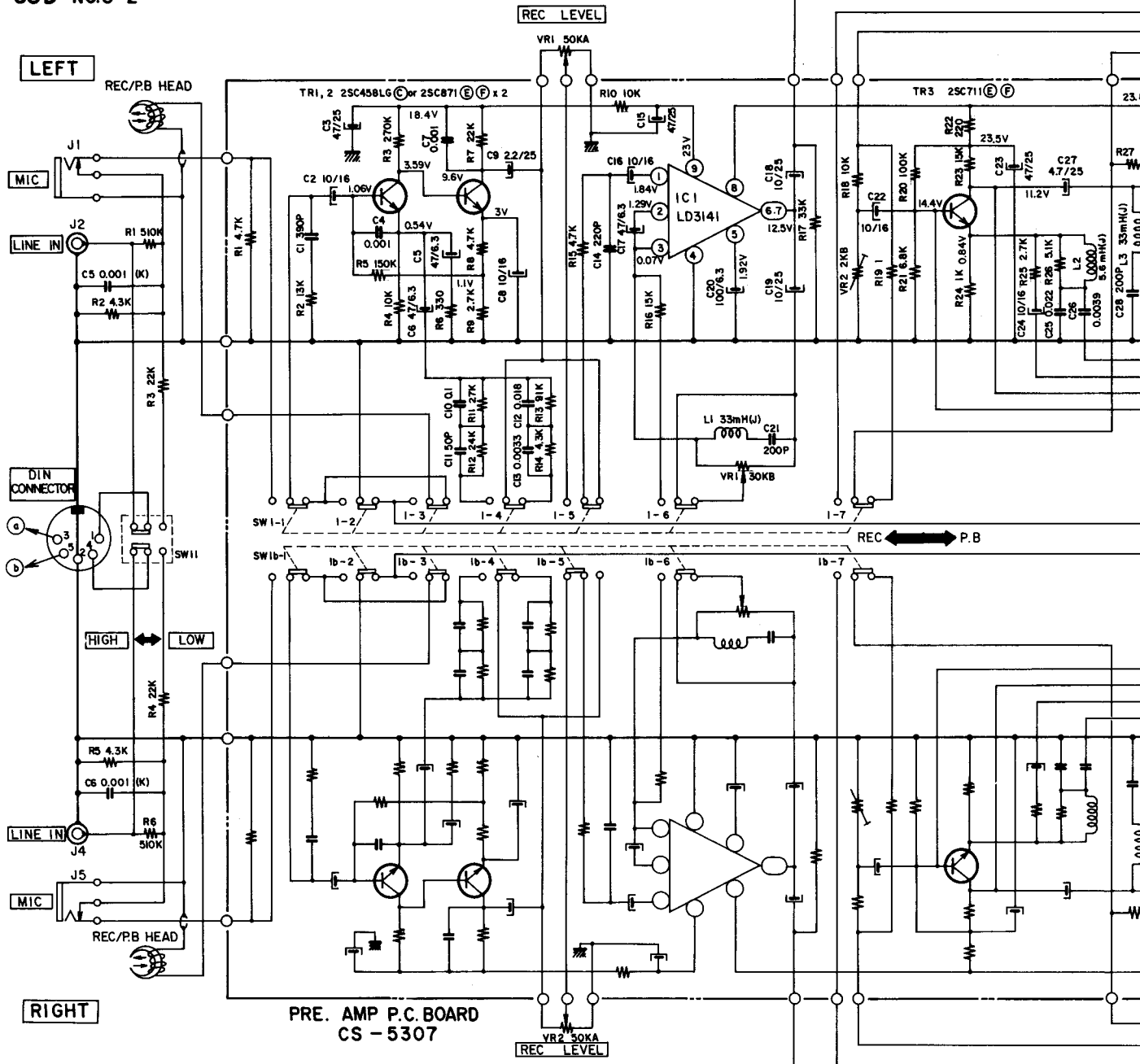
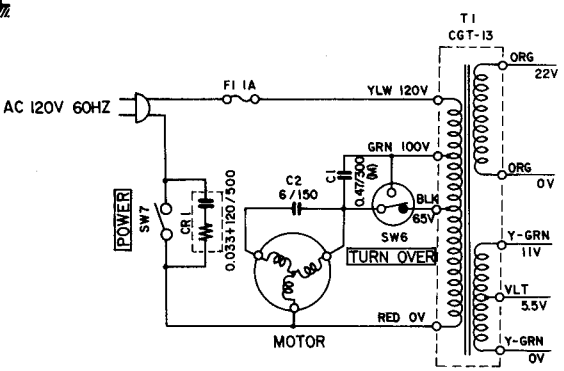
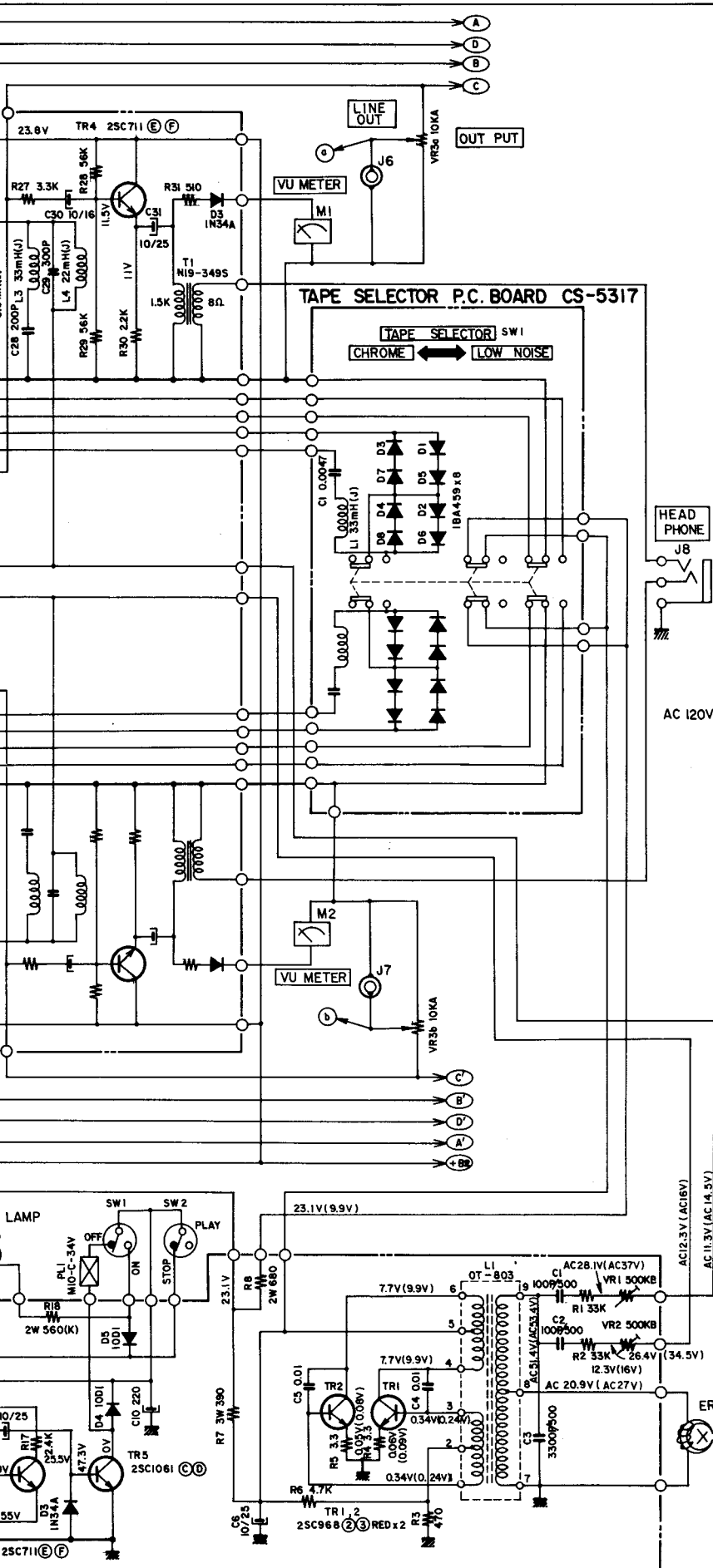


NOTE
 UNLESS OTHERWISE SPECIFIED,
 ALL RESISTORS IN Ω 1/4W(J).
 ALL CAPACITORS IN μF 50WV(J).
 SEE SCHEMA NO. 3-3 (HARNES CONNECTION)
 IF NUMBER ⓐ-ⓑ IS SHOWN.

GXC-65
SCHEMATIC DIAGRAM
 NO.3-1 1442212A

GXC-65D NO.3-2





AAL GXC - 65D

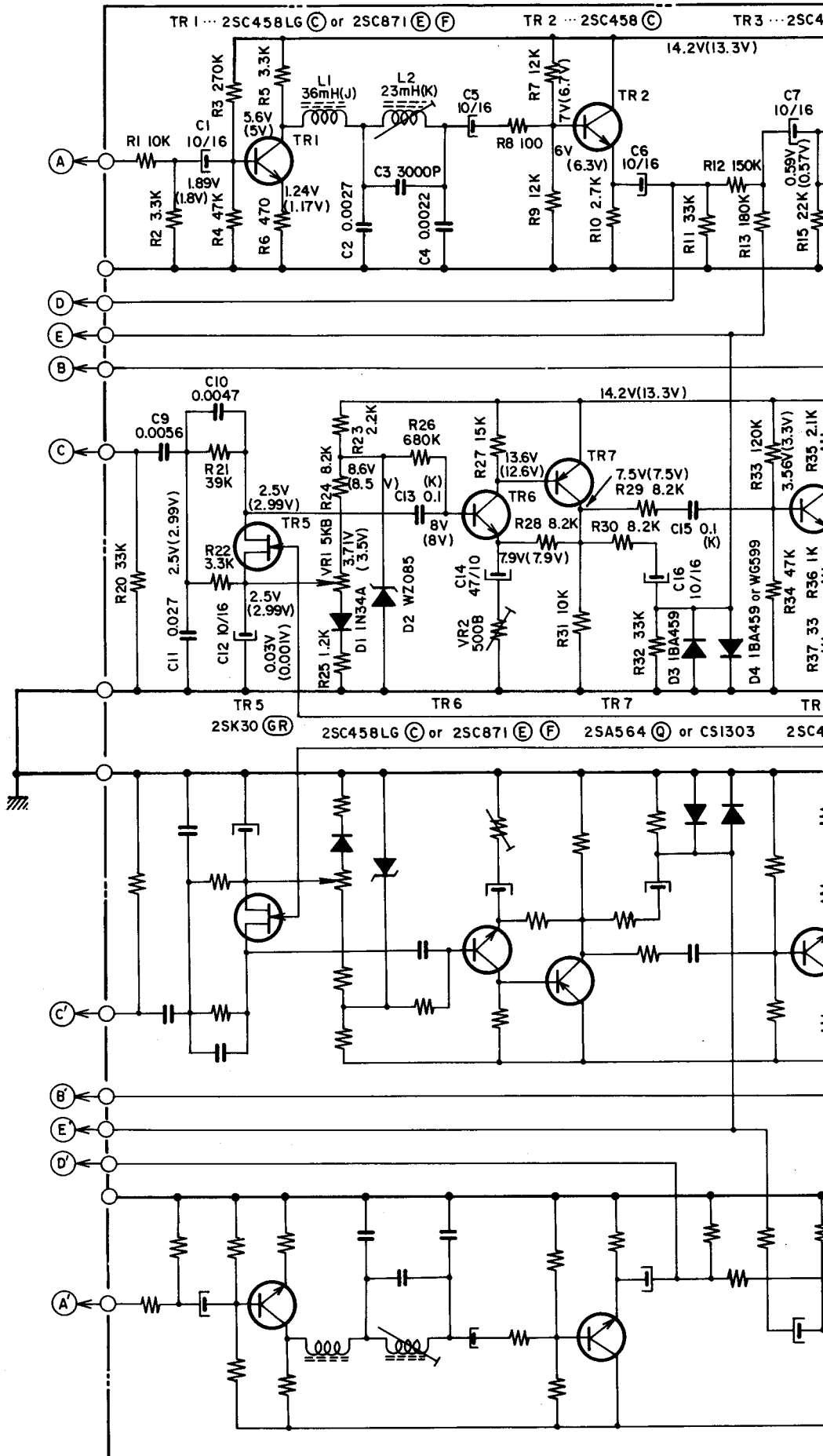
NOTE
 UNLESS OTHERWISE SPECIFIED,
 ALL RESISTORS IN Ω 1/4W(J).
 ALL CAPACITORS IN µF 50WV(J).
 SEE SCHEMA NO.3-3 (HARNES CONNECTION)
 IF NUMBER (A)-(D) IS SHOWN.
 POWER TRANSFORMER IS DIFFERENT
 ACCORDING AREA.

GXC-65D
 SCHEMATIC DIAGRAM
 NO.3-2 1442213A

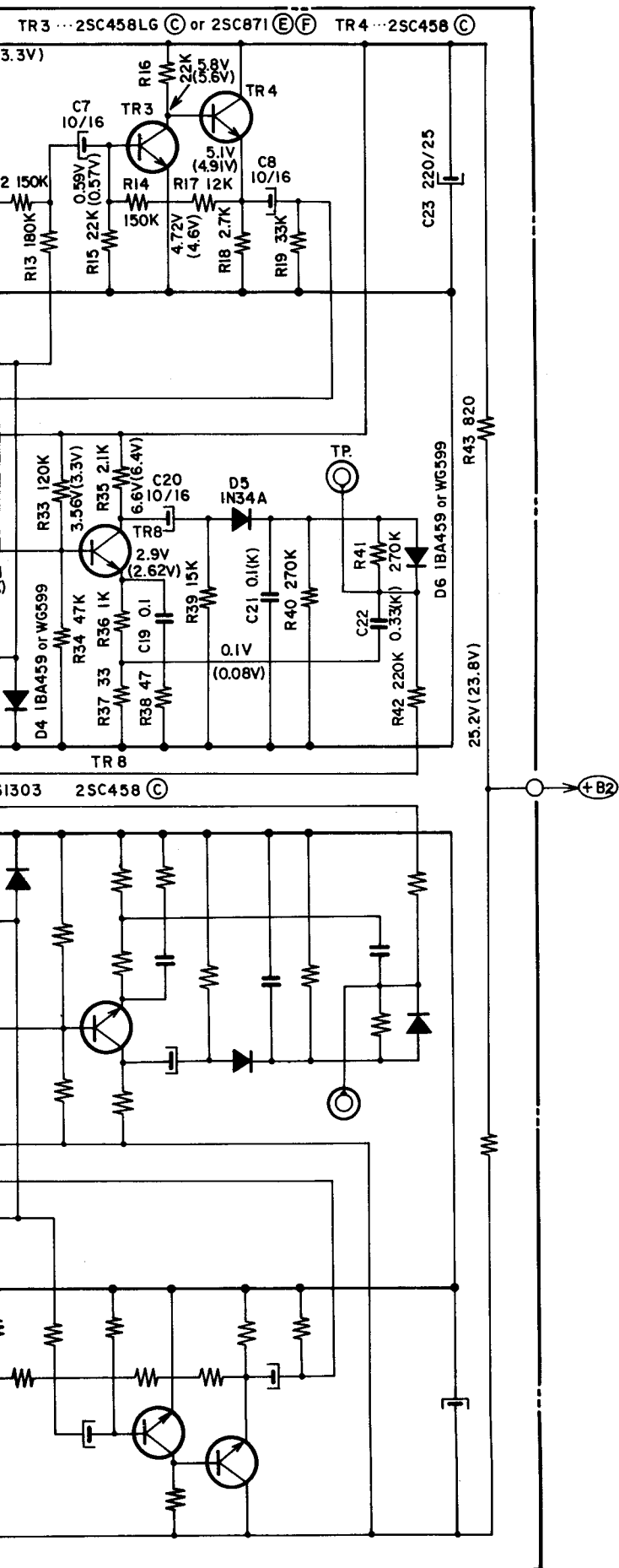
SYS. CON. & OSC. P.C BOARD CS-5321

REC MODE, () CHROME

GXC-65/D NO.3-3



DOLBY AMP P.C. BOARD CS-5326



NOTE

UNLESS OTHERWISE SPECIFIED
 ALL RESISTORS IN Ω 1/4W(J).
 ALL CAPACITORS IN μ F 50WV(J).

GXC-65/D
 DOLBY SYSTEM
 SCHEMATIC DIAGRAM
 NO. 3-3 1442214A