

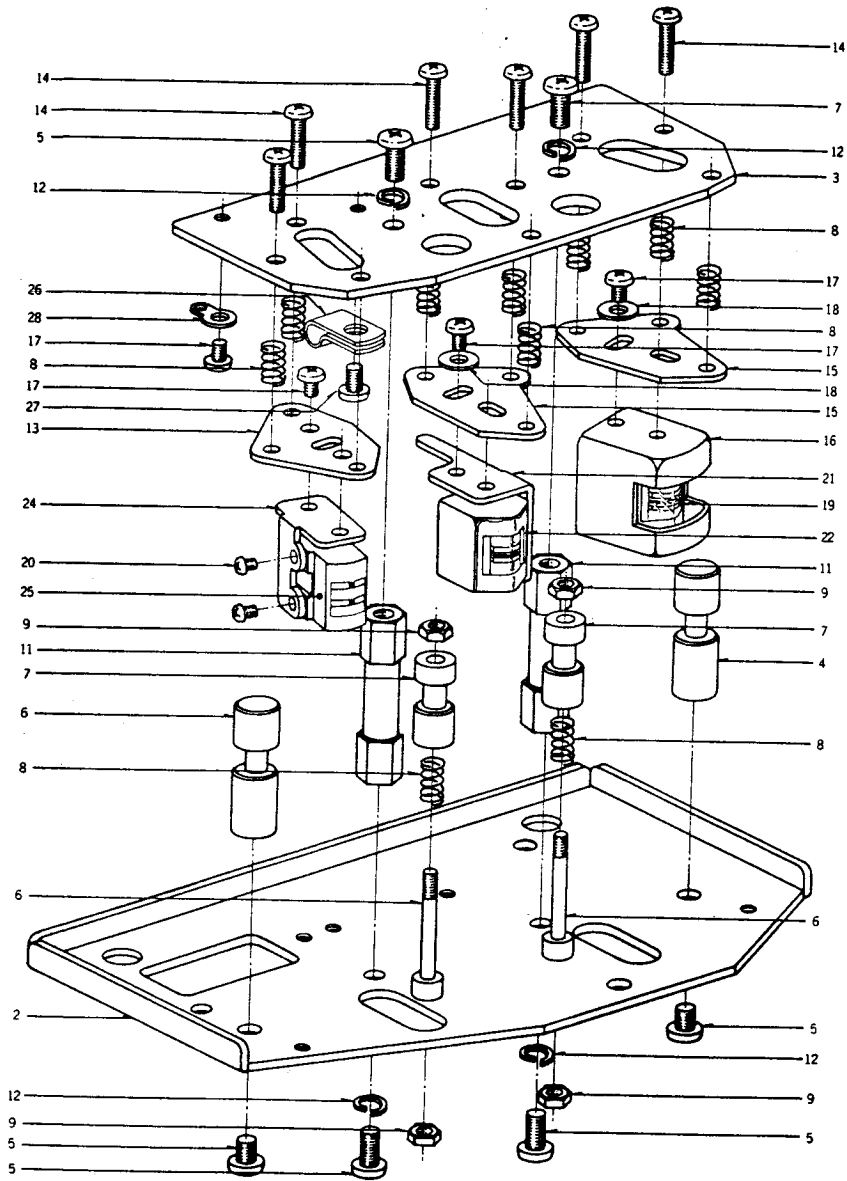
For Service Manuals Contact
MAURITRON TECHNICAL SERVICES
8 Cherry Tree Rd, Chinnor
Oxon OX9 4QY
Tel: 01844-351694 Fax: 01844-352554
Email: enquiries@mauritron.co.uk

THE QUALITY OF
THIS MANUAL IS
THE BEST THAT
IS AVAILABLE

SERVICE MANUAL

AKAI STEREO TAPE DECK
MODEL **GX-630D**
ALSO APPLICABLE TO MODEL GX-8300B

1 ILLUSTRATION OF HEAD BLOCK



1) HEAD BLOCK

Ref. No.	Parts No.	Description	Schematic No.	Q'ty
1-1x	BH638008	Head Block Comp. GX-630D/DB		1
1-2	HZ643544	Head Base	TE-0001	1
1-3	HZ645298	Head Base C	TD-0001	1
1-4	HZ803597	Tape Guide A	RD-3	2
1-5	ZS537006	Screw, binding head 4x8		6
1-6	MH578957	Tape Guide Prop	TD-0003	2
1-7	HZ532710	Tape Guide B	TW-0006	2
1-8	ZG466312	Angle Adjust Spring E	BS-0014	11
1-9	ZW273835	Nut M3		4
1-10x	ZW273745	Spring Washer M3		2
1-11	MH529233	Head Base Prop B	ND-0017	2
1-12	ZW273914	Spring Washer M4		4
1-13	HZ532732	CH Retaining Base	TW-0008	1
1-14	ZS562432	Screw, binding head 3x13		9
1-15	HZ532765	PH Retaining Base	TW-0010	2
1-16	HZ532776	Shield Case	TW-0011	1
1-17	ZS396000	Screw, binding head 3x4		7
1-18	ZW413256	Washer (SPC) D3.4x7.8x0.5t		2
1-19	HP536501	PB. HEAD P4-202		1
1-20	ZS394525	Screw, binding head 2x3		2
1-21	HA533597	RH Angle	TW-0201	1
1-22	HR384513	REC. HEAD R4-200		1
1-23x	ZS460438	Screw, binding head 2x3		2
1-24	HA533608	EH Angle	TW-0202	1
1-25	HE563220	ERASE HEAD E4-260		1
1-26	EJ315101	Nylon Clip HP-4N	2-7-38	1
1-27	ZS355511	Screw, binding head 3x6		1
1-28	ZW273881	Earth Lug M4		1

Handwritten note: *HAH110C A0100*

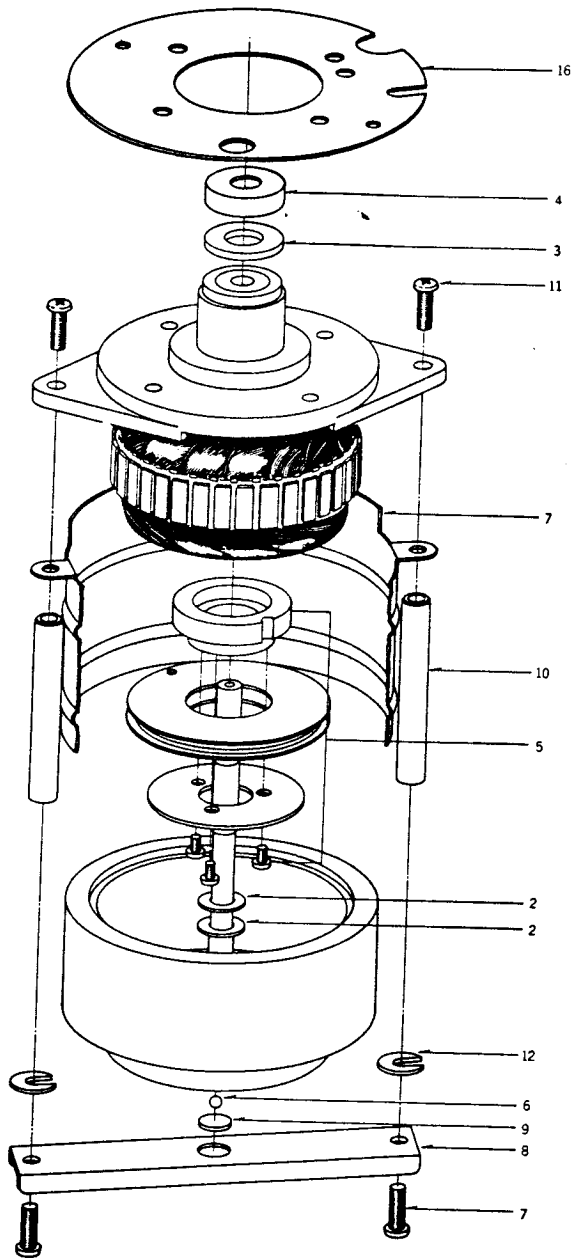
2) MAIN MOTOR BLOCK

Ref. No.	Parts No.	Description	Schematic No.	Q'ty
2-1x	BM637975	Main Motor Block (SCM2-24KJ) Comp.	KJ.MY.NE.TE	1
2-2	ZW597543	Thrust Washer A	KJ-7009	2
2-3	ZW597622	Felt Washer	KJ-7022	1
2-4	SK597633	Cap	KJ-7023	1
2-5	BZ600300	Detector Gear Block Comp.	KJ.MY.NE.TE	1
2-6	MV368886	Steel Ball D3		1
2-7	MZ650046	Motor Shield Plate	TE-7008	1
2-8	MZ597644	Thrust Angle	KJ-7024	1
2-9	MZ597690	Ball Holder	KJ-7029	1
2-10	MS597655	Thrust Holding Prop	KJ-7025	2
2-11	ZS413234	Screw, pan head 4x12		4
2-12	ZW603786	Adjust, Washer (U) D4x13x0.2t		2
2-13x	ZW603797	Adjust, Washer (U) D4x13x0.5t		2
2-14x	ZW603764	Adjust, Washer (U) D4x13x1.2t		2
2-15x	ZW603775	Adjust, Washer (U) D4x13x1.6t		2
2-16	EZ627862	Coil End Shield Plate	MY-7001	1

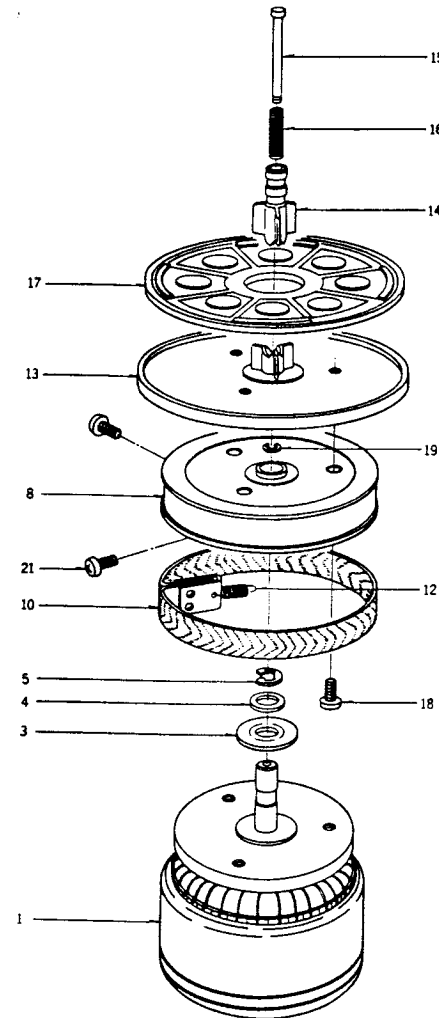
For Service Manuals Contact
MAURITRON TECHNICAL SERVICES
 8 Cherry Tree Rd, Chinnor
 Oxon OX9 4QY
 Tel:- 01844-351694 Fax:- 01844-352554
 Email:- enquiries@mauritron.co.uk

When ordering parts, please describe Parts Number, Serial Number, and Model Number in detail.

2 ILLUSTRATION OF MAIN MOTOR BLOCK



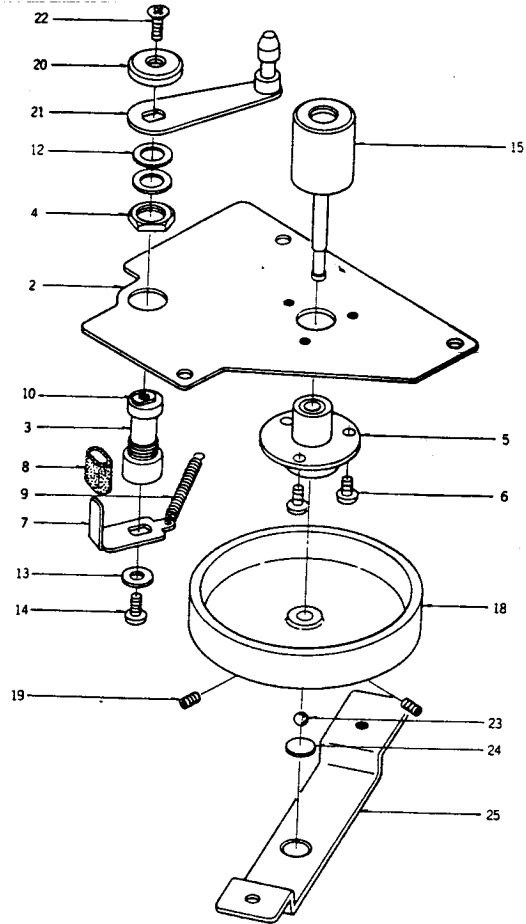
3 ILLUSTRATION OF REEL MOTOR/REEL TABLE BLOCK



3) REEL MOTOR/REEL TABLE BLOCK

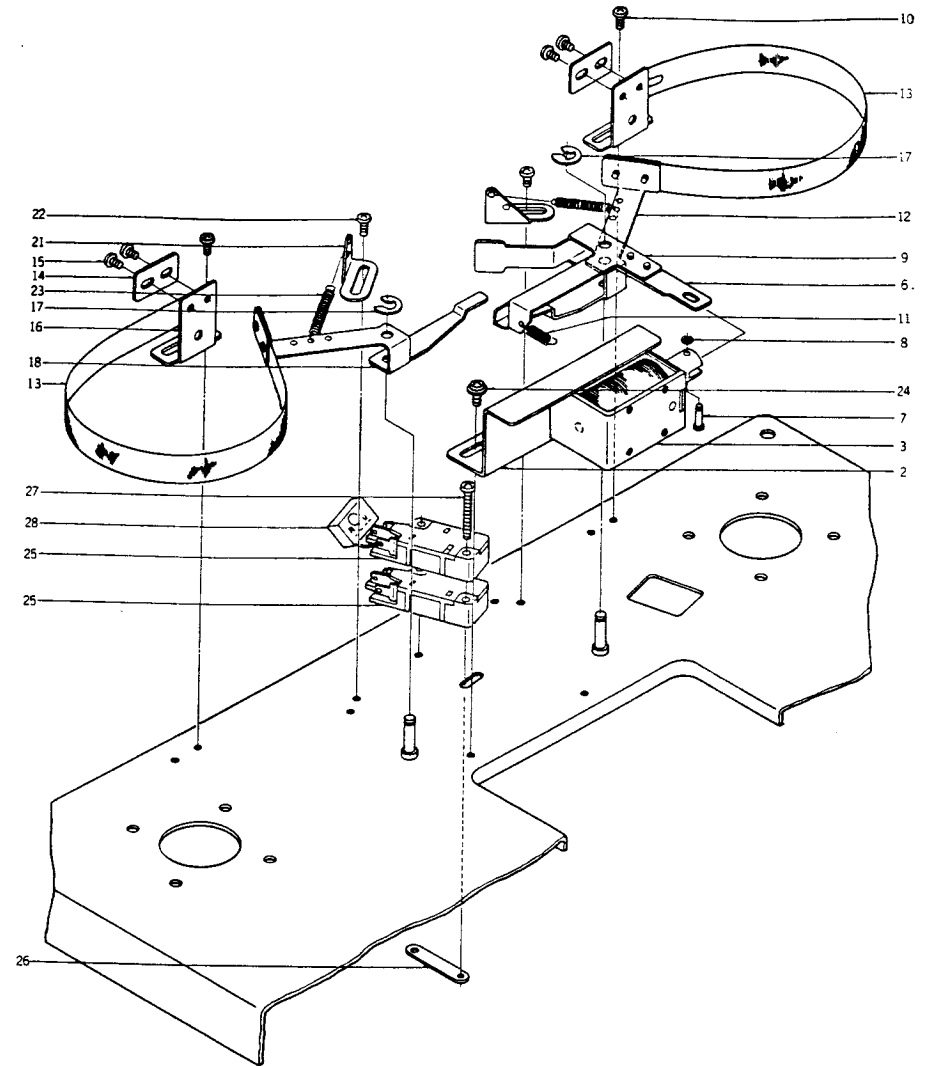
Ref. No.	Parts No.	Description	Schematic No.	Q'ty
REEL MOTOR BLOCK				
3-1	BM587518	Reel Motor Block (24XO-TD)		1
		Comp.	TD,TE,TY	1
3-2x	MV408510	Bearing 608VVMC2ERAV2L		1
3-3	MZ248185	Bearing Retainer	3R-758	1
3-4	ZW260278	Washer (Nylon) D8.1x13x0.5t		1
3-5	ZW270156	'E' Ring 6M	6-1-9	1
REEL TABLE BLOCK				
3-6x	BR587542	Reel Table Block (Left)	TD,TE	1
3-7x	BR587553	Reel Table Block (Right)	TD,TE	1
3-8	MT577473	Brake Drum Left B	MR-216	1
3-9x	MZ576538	Brake Drum Light B	MR-216	1
3-10	MT436860	Brake Cloth Comp.	MR-289	1
3-11x	MT317485	U Metal Fitting	MR-218	1
3-12	ZG317496	Felt Tension Spring	MR-260	1
3-13	MT534666	Reel Table	TW-2031	1
3-14	MT534677	Reel Clamper	TW-2032	1
3-15	MS342000	Reel Shaft	3R-108	1
3-16	ZG540617	Clamp Spring	TW-2096	1
3-17	MT534688	Reel Table Rubber	TW-2033	1
3-18	ZS413785	Screw, binding head 3x12		3
3-19	ZW270088	'E' Ring 1.9M	6-1-9	1
3-20x	ZW562476	Earth Lug M3		1
3-21	ZS435273	Screw, binding Head 4x10		2

4 ILLUSTRATION OF IMPEDANCE ROLLER BLOCK



For Service Manuals Contact
MAURITRON TECHNICAL SERVICES
 8 Cherry Tree Rd, Chinnor
 Oxon OX9 4QY
 Tel:- 01844-351694 Fax:- 01844-352554
 Email:- enquiries@mauritron.co.uk

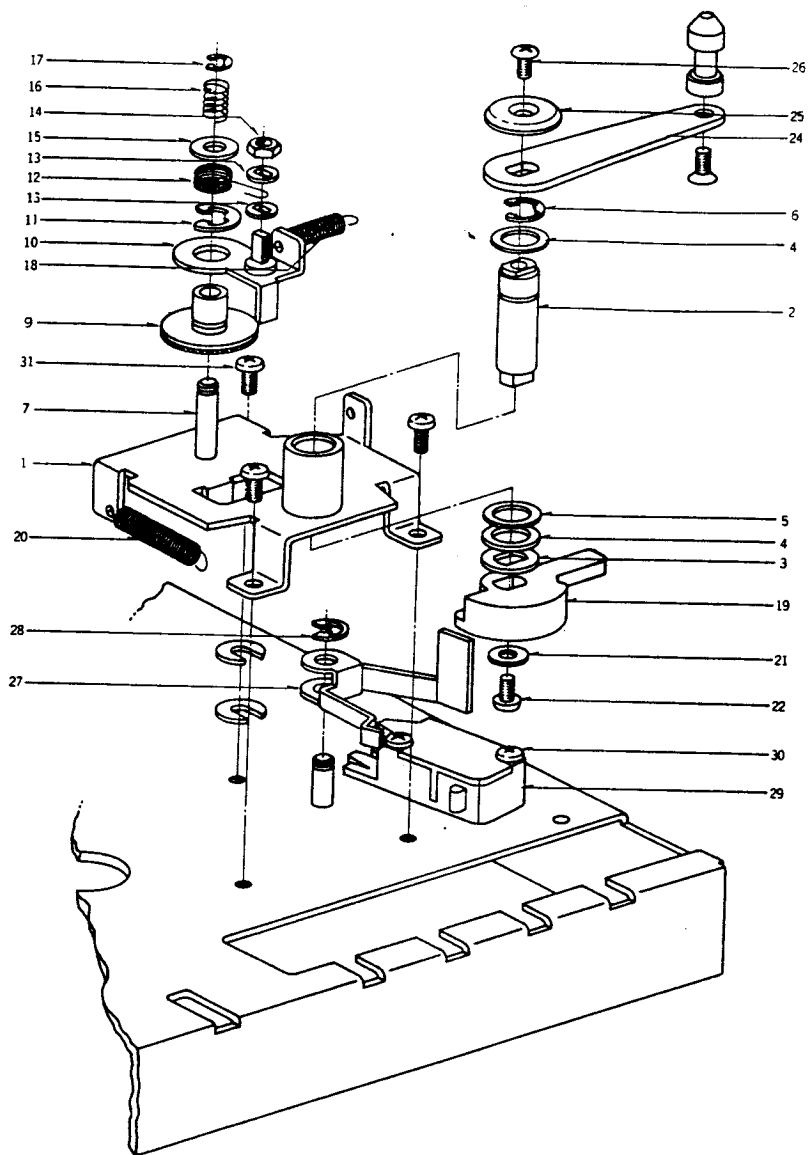
5 ILLUSTRATION OF BRAKE PLUNGER BLOCK



4) IMPEDANCE ROLLER BLOCK

Ref. No.	Parts No.	Description	Schematic No.	Q'ty	Ref. No.	Parts No.	Description	Schematic No.	Q'ty
4-1x	B1637931	Impedance Roller Block	TE	1	4-15	MR597115	Impedance Roller, w/shaft	KJ-2033	1
		Comp.	TE-2004	1	4-16x	MZ597126	Roller Plate	KJ-2035	1
4-2	MZ643375	Impedance Plate	TE-2004	1	4-17x	ZW655953	Washer D4.1x10x1t		1
4-3	MV643386	Shaft Metal	TE-2005	1	4-18	MJ597183	Flywheel	KJ-2041	1
4-4	ZW603990	Metal Nut	6-3-9	1	4-19	ZS593796	Set Screw, hexagon socket 3x6 (Flat/P.)		2
4-5	MZ597093	Metal Case, w/metal	KJ-2029	1					
4-6	ZS499331	Screw, pan head 2.3x5		3					
4-7	MZ643408	Stopper	TE-2007	1	4-20	ZW535094	Decorative Washer	TW-2077	1
4-8	MB665561	TE Stopper Rubber	TE-2030	1	4-21	MZ643858	T Arm, w/Guide	TE-2003	1
4-9	ZG535105	Tension Arm Spring	TW-2078	1	4-22	ZS411660	Screw, oval countersunk head 3x6		2
4-10	MS643397	Shaft	TE-2006	1	4-23	MV269965	Steel Bail D4		1
4-11x	ZS481724	ISO Screw, truss head 3x6		1	4-24	ZW235585	Nylon Plate D8		1
4-12	ZW260010	Washer (PBP) D6.1x10x0.1t		3	4-25	MZ640664	Thrust Supporting Plate	TE-2002	1
4-13	ZW556828	Washer D3.5x10x0.5t		1					
4-14	ZS417216	Screw, pan head 3x4		1					

6 ILLUSTRATION OF TENSION ARM BLOCK



5) BRAKE PLUNGER BLOCK

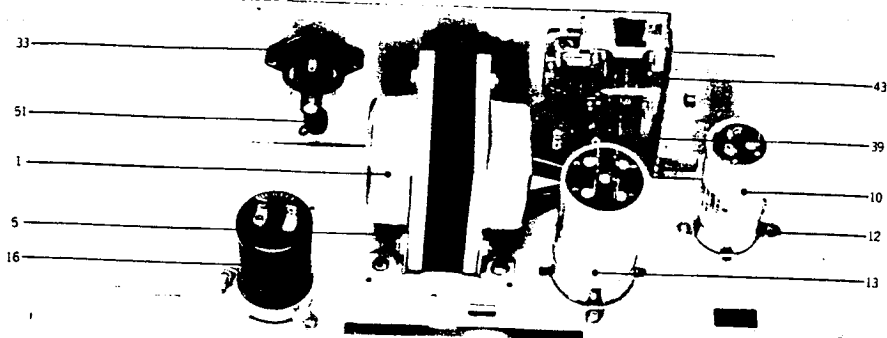
Ref. No.	Parts No.	Description	Schematic No.	Q'ty
5-1x	BZ637986	Brake Plunger Block Comp.	TE	1
5-2	MZ643498	Plunger Retaining Plate	TE-2016	1
5-3	EP638695	Plunger Solenoid 1240PHT3	44-1-90	1
5-4x	ED570273	Silicon Diode LN4004	45-2-59	1
5-5x	ZS422076	Screw, pan head 3x5		2
5-6	ML643476	Brake Plunger Lever	TE-2014	1
5-7	MH257477	Connecting Pin	RD-211	1
5-8	ZW270088	'E' Ring 1.9M	6-1-9	1
5-9	ML643387	Brake Band Lever	TE-2015	1
5-10	ZS323728	Screw, binding head 3x5		6
5-11	ZG586427	Reverse Spring	CP-1192	1
5-12	ML533643	Brake Lever B	TW-1030	1
5-13	MT314987	Brake Band	MR-213	2
5-14	MZ314998	Brake Band Retaining Plate	MR-212	4
5-15	ZS417137	Screw, binding head 3x4		8
5-16	ML582074	Brake Band Support	TD-1023	2
5-17	ZW290283	'U' Ring 2.85M	6-1-1	2
5-18	ML582041	Brake Lever A	TD-1019	1
5-19x	MZ317406	Brake Band Guide	MR-120	2
5-20x	ZS413166	Screw, round head 3x6		4
5-21	MZ314605	Spring Rack, MR	MR-104	2
5-22	ZS379405	ISO Screw, binding head 3x6		4
5-23	ZG540090	Brake Lever Spring	TW-1058	2
5-24	ZS422076	Screw, pan head 3x5		2
5-25	ES573456	Micro SW. K-2	25-1-30	2
5-26	ZW397146	Micro SW. Nut	KD-1057	1
5-27	ZS608354	Screws, pan head 3x30		2
5-28	ER450786	Spark Quencher U/L 0.1µ+120ohm 400WV	41-1-33	1

6) TENSION ARM BLOCK

Ref. No.	Parts No.	Description	Schematic No.	Q'ty
6-1	ML580443	Tension Arm Base, w/metal	TD-2037	1
6-2	MS645502	Tension Shaft	TD-2041	1
6-3	ZW580498	Tension Arm Washer	TD-2042	1
6-4	ZW575763	Washer (SPC) D8.1x13x0.5t		2
6-5	ZW260256	Washer (PBP) D8.1x13x0.1t		2
6-6	MH244710	Flywheel Fixing Pin	900-250	1
6-7	MH580588	Damper Prop	TD-2052	1
6-8x	TC387617	Clutch Felt	CS-2011	1
6-9	MZ580577	Clutch Plate, w/metal A	TD-2051	1
6-10	ML580555	Clutch Lever, w/spring retainer	TD-2048	1
6-11	ZW270156	'E' Ring 6M	6-1-9	1
6-12	ZG580511	Clutch Spring	TD-2044	1
6-13	ZW580678	Spring Retaining Washer	TD-2067	2
6-14	ZW273756	Nut M3		2
6-15	ZW575774	Washer D4.5x9.8x0.7t		1
6-16	ZG580533	Cramp Spring	TD-2046	1
6-17	ZW410051	'E' Ring 2.5	6-1-9	1
6-18	ZG580522	Clutch Lever Spring	TD-2045	1
6-19	MZ580500	Cam. SW.	TD-2043	1
6-20	ZG659608	Tension Spring	TE-2034	1
6-21	ZW550642	Washer (SPC) D3.1x7.9x0.5t		1
6-22	ZS323728	Screw, binding head 3x5		1
6-23x	MZ810191	Cushion Rubber, RD	RD-278	1
6-24	ML580465	Tension Arm, w/guide B	TD-2039	1
6-25	ZW535094	Decorative Washer	TW-2077	1
6-26	ZS200384	Screw, countersunk head 3x6		1
6-27	MZ580680	Actuator	TD-2068	1
6-28	ZW290283	'U' Ring 2.85M	6-1-1	1
6-29	ES573456	Micro SW. K-2	25-1-30	2
6-30	ZS508354	Screw, pan head 3x30		2
6-31	ZS413155	Screw, binding head 3x6		4

For Service Manuals Contact
MAURITRON TECHNICAL SERVICES
 8 Cherry Tree Rd, Chinnor
 Oxon OX9 4QY
 Tel: 01844-351694 Fax: 01844-352554
 Email: enquiries@mauritron.co.uk

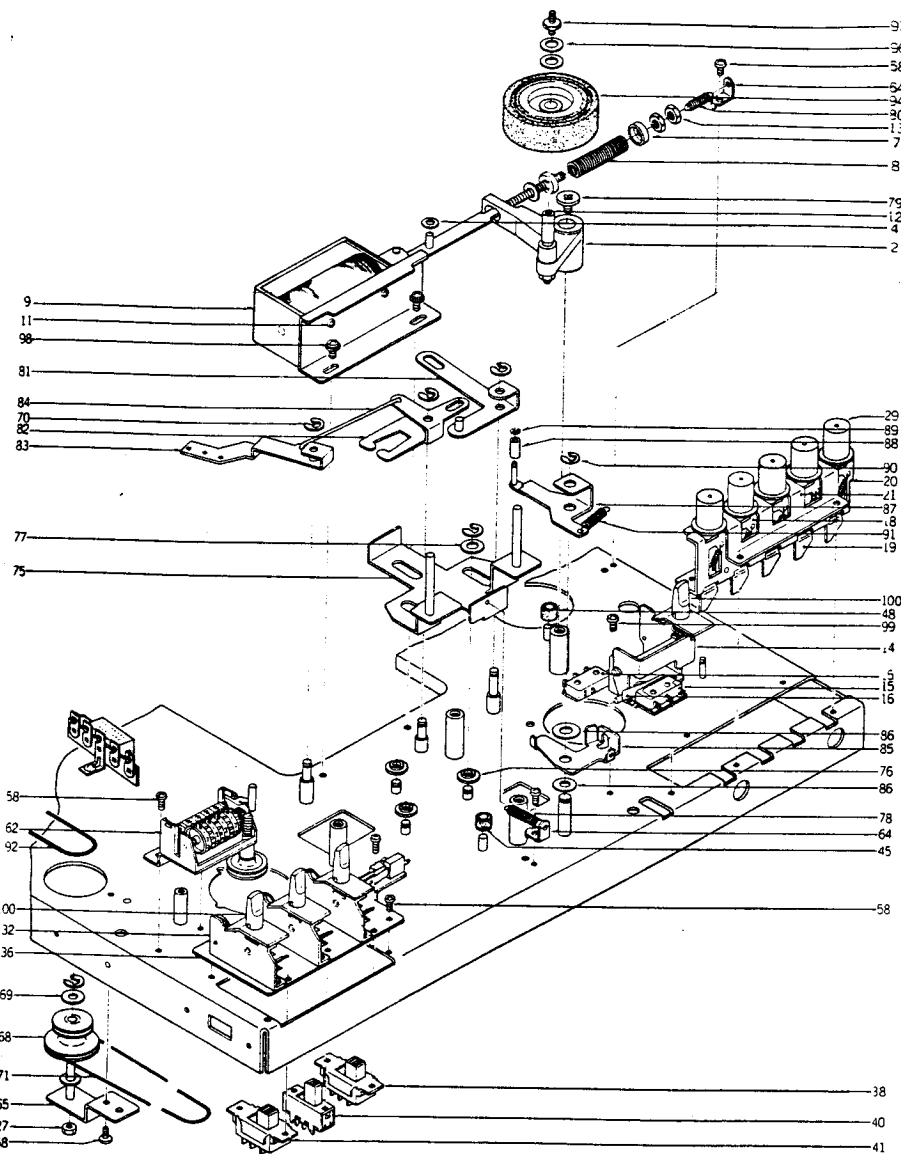
7 PHOTO OF POWER SUPPLY/CONNECTOR PANEL BLOCK



7) POWER SUPPLY/CONNECTOR PANEL BLOCK

Ref. No.	Parts No.	Description	Schematic No.	Q'ty	Ref. No.	Parts No.	Description	Schematic No.	Q'ty
POWER SUPPLY BLOCK									
7-1	BT640517	Power Trans. TET-1	38-4-354	1	7-26x	EJ654221	Lug Plate KPL4L (CEE,CSA,JPN)	33-3-26	1
7-2x	BT661858	Power Trans. TET-5 (CEE)	38-4-389	1	7-27x	ZW273881	Earth Lug M4 (CEE)		1
7-3x	BT661926	Power Trans. TET-4 (CSA)	38-4-388	1	7-28x	ZS417150	Screw, pan head 4x6 (CEE)		1
7-4x	BT661904	Power Trans. TET-3 (JPN)	38-4-387	1	7-29x	ZW413188	Nut M4 (CEE)		1
7-5	ZW510827	Tapping Screw #2 4x6 BR		4	7-30x	ZW273892	Toothed Lock Washer M4 (CEE)		1
7-6x	ZS413201	Screw, pan head 4x8		4	7-31x	MTS53948	Wire Band B	2-35-3	2
7-7x	ZW273892	Toothed Lock Washer M4 (CEE, CSA, JPN)		4	7-32x	EJ510333	Wire Clip 220-JD481610-0104 (Nylon)	2-7-17	1
7-8x	ZW413188	Nut M4 (CEE, CSA, JPN)		4	7-33	EJ233370	Socket (Volt. Selector) S-18010	40-2-3	1
7-9x	ZW273914	Spring Washer M4 (CSA, JPN)		4	7-34x	EZ654208	Fuse Holder TE (CEE,JPN)	40-1-74	1
7-10	EC593763	MP/C. 3.5+1.5µF 150WV AC (LUG Type Uni/D.)	24-9-88	1	7-35x	EZ655198	Fuse Holder SP Base (CSA)	40-1-71	1
7-11x	EC661882	MP/C. 5µF 150WV AC (Lug Type Uni/D.)	(CEE) 24-9-111	1	7-36x	MZ583198	Fuse Angle TD (CEE,CSA,JPN)	TD-1067	2
7-12	ZS325495	Tapping Screw #2 3x6		13	7-37x	ZS379350	ISO Screw, pan head 3x6 (CEE,CSA,JPN)		2
7-13	EC520626	MP/C. (3+1)µF x 2 250WV AC (Lug Type Uni/D.)	24-9-74	1	7-38x	EF623114	Fuse (SEMKO T Type) 200MAT (CI200MAT (CEE)	39-1-53	1
7-14x	EC641136	MP/C. 4+4 µF 250WV AC (Lug Type Uni/D.)	(CEE) 24-9-103	1	CONNECTOR PANEL BLOCK				
7-15x	EC536927	MP/C. 3µF x 2 250WV AC (Lug Type Uni/D.)	(CSA) 24-9-79	1	7-39	EJ222748	Socket, Sub Magnale #311SG	31-1-39	1
7-16	EC557190	Elect./C. 470µF 160WV (Lug Type)	24-10-88	1	7-40x	MZ302400	Remote Control Socket Mt. Plate	RX-515	1
7-17x	EF623103	Fuse IAT (SEMKO T Type) (CEE)	39-1-53	5	7-41x	ZS355522	Screw, pan head 3x6		5
7-18x	EF487427	Fuse ULMF61M 250V 0.2A (CSA)	39-1-45	1	7-42x	ML580612	F SW. Table A	TD-2059	1
7-19x	EF511637	Fuse ULMF61M 250V 1A (CSA)	39-1-45	4	7-43	ES479485	Slide SW. S-1	25-3-66	3
7-20x	EF588420	Fuse 1A 125V (JPN)	39-1-52	5	7-44x	ZS422076	Screw, pan head 3x5		4
7-21x	EF654210	Fuse 0.25A 125V (JPN)	39-1-52	1	7-45x	ZS327835	ISO Screw, countersunk head 3x5		2
7-22x	EA642701	Repeater P.C Board (CEE)	33-2-52	1	7-46x	MZ580601	F SW. Table C	TD-2058	1
7-23x	EZ614586	Fuse Table MY (CEE)	MY-2043	1	7-47x	EA597251	Transistor P.C Board	KJ-2049	1
7-24x	ZS379350	ISO Screw, pan head 3x6 (CEE)		2	7-48x	ET621786	Transistor T1P-48	45-1-197	1
7-25x	EC650968	Thermister (SINE) PTH62AR 100M (CEE,CSA,JPN)	45-14-3	2	7-49x	ZS421806	Screw, pan head 3x8		1
					7-50x	ZW516611	Nut M3		1
					7-51	EJ631945	Strain Relief SR-4N-4	2-7-49	1
					7-52x	EZ246936	Strain Relief SR-6W-1 (CEE)	2-7-8	1

8 ILLUSTRATION OF MECH ASSEMBLY BLOCK



12) SRT P.C BOARD (TD-5201) BLOCK

Symbol No.	Parts No.	Description	Q'ty
12-1	BA647796	SRT P.C Board Comp. (TD-5201)	1
12-2	BA647763	SRT P.C Board Comp. (TD-5201)(DB)	1
12-SW1	ES550001	Push SW. 1FS-6U-49	1
12-L1	EO369178	Ferri Inductor FL7H 1.5 MH(J)	2
12-VR1,2	EV520806	Semi-fixed/Vol. V8K4-1 10 kB (DB)	4
Capacitor, Vertical Type			
12-C1	EC329861	Mylar 0.027µF(J) 50WV	2
12-C2	EC379214	Mylar 0.047µF(J) 50WV	2
12-C3	EC368335	Mylar 0.022µF(J) 50WV	2
12-C4	EC379214	Mylar 0.047µF(J) 50WV	2
12-C5	EC379192	Mylar 0.039µF(J) 50WV	2

Carbon Resistor Omitted

13) SYS. CON P.C BOARD (TE-2001) BLOCK

Symbol No.	Parts No.	Description	Q'ty
13-1	BA637964	Sys. Con. P.C Board Comp. (TE-2001)	1
13-TR1	ET639437	Transistor 2SC945L(Q)(P)	1
13-TR2,3	ET511920	Transistor 2SC1247A(B)(V)	2
13-TR4to6	ET639437	Transistor 2SC945L(Q)(P)	3
13-TR7	ET399881	Transistor 2SC711(F)	1
13-TR8to11	ET639437	Transistor 2SC945L(Q)(P)	4
13-D1to3	ED560913	Silicon Diode 1S2473 VE	3
13-D4	ED494583	Silicon Diode 10D05	1
13-D5to10	ED560913	Silicon Diode 1S2473 VE	6
13-D11	ED498150	Zener Diode WZ-192	1
13-D12,13	ED560913	Silicon Diode 1S2473 VE	2
13-D14to29	ED624903	Silicon Diode 1S2473	16
Capacitor, Vertical Type			
13-C1	EC459405	Mylar 0.039µF(K) 50WV	1
13-C2	EC350684	Elect. 22µF 25WV	1
13-C3	EC362158	Mylar 0.0047µF(K) 50WV	1
13-C4	EC350684	Elect. 22µF 25WV	1
13-C5	EC220612	Elect. 33µF 25WV	1
13-C6	EC350684	Elect. 22µF 25WV	1
13-C7	EC251087	Mylar 0.022µF(K) 50WV	1
13-C8	EC368256	Elect. 0.47µF 25WV	1

Carbon Resistor Omitted

14) SERVO P.C BOARD (MY-2036) BLOCK

Symbol No.	Parts No.	Description	Q'ty
14-1	BA657167	Servo P.C Board Comp. (MY-2036)	1
14-TR1,2	ET639437	Transistor 2SC945(P)(Q)	2
14-TR3,4	ET399846	Transistor 2SC945(Q)	2
14-TR5	ET538154	Transistor 2SA564(Q)(R)	1
14-TR6	ET399846	Transistor 2SC945(Q)	1
14-TR7	ET623867	Transistor 2SD361(D1)(D2)	1
14-TR8	ET639437	Transistor 2SC945(P)(Q)	1
14-D1	ED557447	Silicon Diode 1S1588	1
14-D2to5	ED224548	Silicon Diode 10D2	4
14-TH1	ED593357	Thermister 34D21	1
14-VR1	EV621955	Semi-fixed/Vol. V10K8-1-5 B10K	1
14-VR2	EV621966	Semi-fixed/Vol. V10K8-1-5 B30K	1
14-2	ZS421806	Screw, pan head 3x8	1
14-3	ZW273756	Nut M3	1
14-4	EZ615047	Heat-sink Plate A	1
14-5	ZS422076	Screw, pan head 3x5	6

Carbon Resistor Omitted

Symbol No.	Parts No.	Description	Q'ty
14-6	EZ615060	P.C Board Holder B	1
14-7	EZ615071	P.C Board Holder C	1
14-R20	ER593346	Cement/R. 2W 330 ohm(K) (Wire-wound Type)	1
Capacitor, Vertical Type			
14-C1	EC251291	Mylar 0.1µF(K) 50WV	1
14-C2	EC251122	Mylar 0.027µF(K) 50WV	1
14-C3	EC250582	Mylar 0.0033µF(K) 50WV	1
14-C4	EC331828	Elect. 3.3µF 25WV	1
14-C5	EC251122	Mylar 0.027µF(K) 50WV	1
14-C6	EC250582	Mylar 0.0033µF(K) 50WV	1
14-C7	EC311793	Mylar 0.012µF(J) 50WV	1
14-C8	EC557166	Solid Aluminum 3.3µF 25WV	1
14-C9	EC450055	Elect. 1µF 25WV	1
14-C10	EC320051	Elect. 10µF 16WV	1
14-C11	EC220151	Elect. 100µF 25WV	1
14-C12	EC250885	Mylar 0.01µF(K) 50WV	1
14-C13	EC346735	Elect. 47µF 50WV	1

Carbon Resistor Omitted

15) RELAY P.C BOARD (TE-2002) BLOCK

Symbol No.	Parts No.	Description	Q'ty
15-1	BA638021	Relay P.C Board Comp. (TE-2002)	1
15-TR1	ET537300	Transistor 2SD361(D)(E)	1
15-TR2	ET511920	Transistor 2SC1247A(B)(V)	1
15-TR3	ET639437	Transistor 2SC945L(Q)(P)	1
15-TR4	ET517353	Transistor 2SC711(E)(G)	1
15-D1to5	ED570273	Silicon Diode 1N4004	5
15-D6to9	ED511097	Silicon Diode 1N4001	4
15-D10	ED357794	Zener Diode RD-5A(M)	1
15-D11,12	ED560913	Silicon Diode 1S2473 VE	2
15-D13to16	ED624903	Silicon Diode 1S2473	4
15-D17,18	ED560913	Silicon Diode 1S2473 VE	2
15-CR1to10	ER450786	Spark Quencher U/L 0.1µ-120 ohm 400WV	10
15-VR1	EV498071	Semi-fixed/Vol. V10K8-1-5 1 kB	1
15-RL1	EP616500	Relay LC1-CJT DC24V	1
15-RL2	EP638763	Relay MY4-0-US DC24V	1
15-RL3	EP616500	Relay LC1-CJT DC24V	1
15-RL4	EP638763	Relay MY4-0-US DC24V	1
15-2	EZ640462	Relay P.C Board Retaining Part B	1
15-3	ZS325495	Tapping Screw #2 3x6	6
15-4	EZ640642	Relay P.C Board Retaining Part B	1
15-5	ZS421806	Screw, pan head 3x8	1
15-6	ZW516993	Nut M3	1
15-R1	ER535948	Cement/R. 5W 10 ohm(K) (Wire-wound Type)	1
15-R3	ER563354	Cement/R. 15W 430 ohm(K) (Metal OX. Film Type)	1
15-R4	ER641261	Cement/R. 20W 43 ohm(K) (Wire-wound Type)	1
15-R5	ER573524	Cement/R. 10W 150 ohm(K) (Wire-wound Type)	1
15-R20	ER372082	Cement/R. 2W 100 ohm(K) (Wire-wound Type)	1
Capacitor, Vertical Type			
15-C1,2	EC350987	MP/C. 0.47µF(M) 250V DC (Tub. Type)	2
15-C3	EC565345	Elect. 1000µF 50WV	1
15-C4	EC372148	Elect. 220µF 35WV	1
15-C5	EC250918	Mylar 0.01µF(M) 50WV	1
15-C6	EC313121	Elect. 220µF 25WV	1
15-C7	EC331705	Elect. 22µF 16WV	1
15-C8,9	EC220678	Elect. 47µF 25WV	2
15-C10	EC646031	Elect. 4.7µF 160WV (Tub. Type)	1

Carbon Resistor Omitted

16) REC MODE P.C BOARD (TE-5003) BLOCK

Symbol No.	Parts No.	Description	Q'ty
16-1	BZ647831	Rec. Mode P.C Board Comp. (TE-5003)	1
16-D1	ED624903	Silicon Diode 1S2473	1
16-SW3	ES640541	Push SW. 2FT-0014FF1320	1
16-RL1	EP383321	Relay TECK-36 DC22V 1000 ohm I	1
16L1,2	EO390622	Ferri Inductor FL9H 220µH(K)	2
16-2	ED640451	SW. Shield	1
16-3	ZS379350	ISO Screw, pan head 3x6	1
16-4	ZW516611	Nut M3	1
16-5	ZW273802	Toothed Lock Washer M3	1

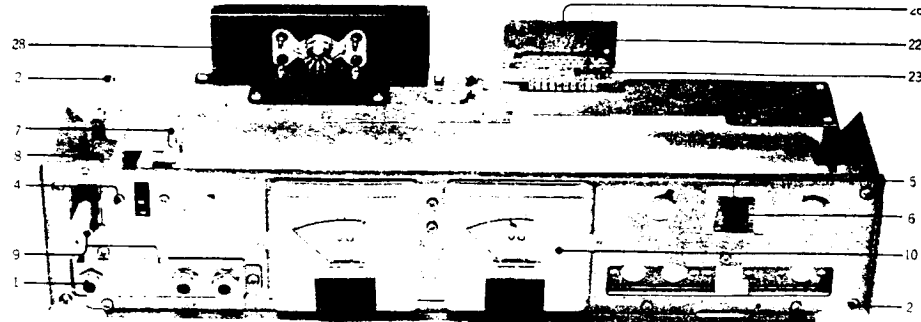
17) SPEED SWITCH P.C BOARD (TE-5001) BLOCK

Symbol No.	Parts No.	Description	Q'ty
17-1	BA647717	Speed Switch P.C Board Comp. (TE-5001)	1
17-SW2	ES640552	Slide SW. SSA06207	1
17-L1	EO379923	Ferri Inductor FL7H 8.2 MH(J)	2
17-2	MZ640618	Equalizer Bracket	1
17-3	ZS432843	Screw, pan head 2.6x4	2
17-C1	EC250841	Mylar/C. 0.01µF(J) 50WV (Vert. Type)	2

Carbon Resistor Omitted

For Service Manuals Contact
MAURITRON TECHNICAL SERVICES
 8 Cherry Tree Rd, Chinnor
 Oxon OX9 4QY
 Tel: 01844-351694 Fax: 01844-352554
 Email: enquiries@mauritron.co.uk

18 PHOTO OF AMP ASSEMBLY BLOCK

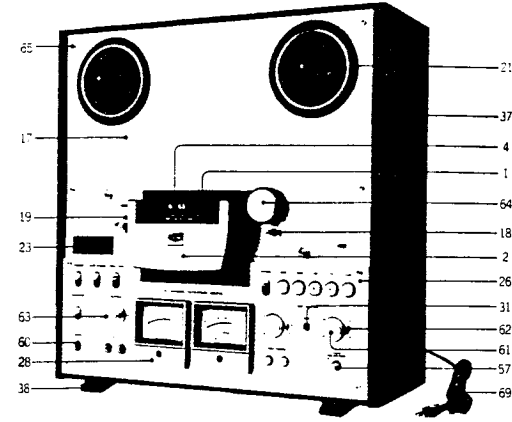


For Service Manuals Contact
MAURITRON TECHNICAL SERVICES
 8 Cherry Tree Rd, Chinnor
 Oxon OX9 4QY
 Tel: 01844-351694 Fax: 01844-352554
 Email: enquiries@mauritron.co.uk

18) AMP ASSEMBLY BLOCK

Ref. No.	Parts No.	Description	Schematic No.	Q'ty
FRONT CHASSIS BLOCK				
18-1	EJ655830	3-throw Jack C	31-2-69	1
18-2	ZS325495	Tapping Screw #2 3x6		12
18-3x	MZ640405	SW. Retaining Plate	TE-5007	1
18-4	ZS422076	Screw, pan head 3x5		2
18-5	EZ586326	Lamp Holder	LF-5324	1
18-6	EL639472	Lamp 24V 35MA(190M/Mx2) (Read Type) 28-2-24		1
18-7	MZ640945	Connecting Plate B	TE-5009	1
18-8	ES641283	Lever SW. S-J6399	25-12-21	1
18-9	ZS379350	ISO Screw, pan head 3x6		4
18-10	EM573748	VU Meter KL-280B-28 (Yellow)	46-1-86	2
18-11x	MZ659632	Meter Mask	TE-5027	2
18-12x	ZG290878	VU Meter Spring	DX-504	4
18-13x	ZWS16611	Nut M3		4
18-14x	EZ640620	P.C Board Holder	TE-5011	1
18-15x	ES573671	Push SW. 1FST-6U-122-3 (DB)	25-5-119	1
18-16x	ZS422076	Screw, pan head 3x5 (DB)		2
18-17x	EA640438	Dolby Lamp P.C Board (DB)	TE-5004	1
18-18x	EL619064	Lamp 24V 35MA (DB)	28-2-40	1
18-19x	ZS325495	Tapping Screws #2 3x6		1
REAR CHASSIS BLOCK				
18-20x	MZ640574	Amp. Side Plate A	TE-5012	1
18-21x	MZ640585	Amp. Side Plate B	TE-5012	1
18-22	EJ292961	Multi-jack 10P 500-010-005	31-4-4	1
18-23	EZ530021	Jack Nut Plate	ND-5052	1
18-24x	ZS462947	Screw, pan head 2.3x12		2
18-25x	ZW273881	Earth Lug M4		1
18-26	EZ655942	MJJack Shield	TE-5017	1
JACK PLATE BLOCK				
18-27x	BJ647728	Jack Plate Block Comp.		1
18-28	EJ624104	Jack Plate J-2	31-5-121	1
18-29x	EA628222	P.C Board for Jack	LE-5622	1
18-30x	ER440921	Carbon/R. RD1/4 27k(J) (Insu. Type)	35-9-5	2

19 PHOTO OF FINAL ASSEMBLY BLOCK

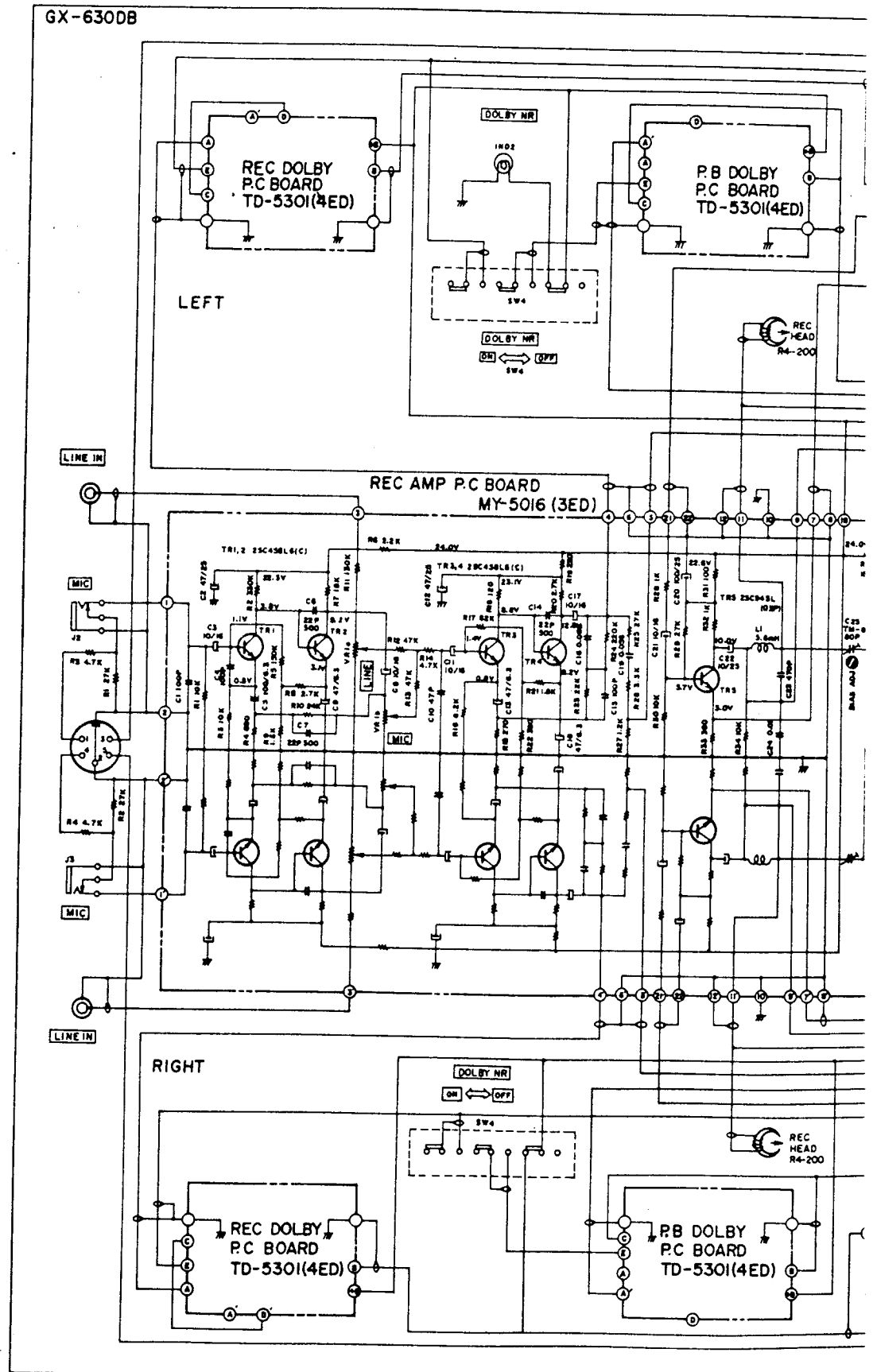


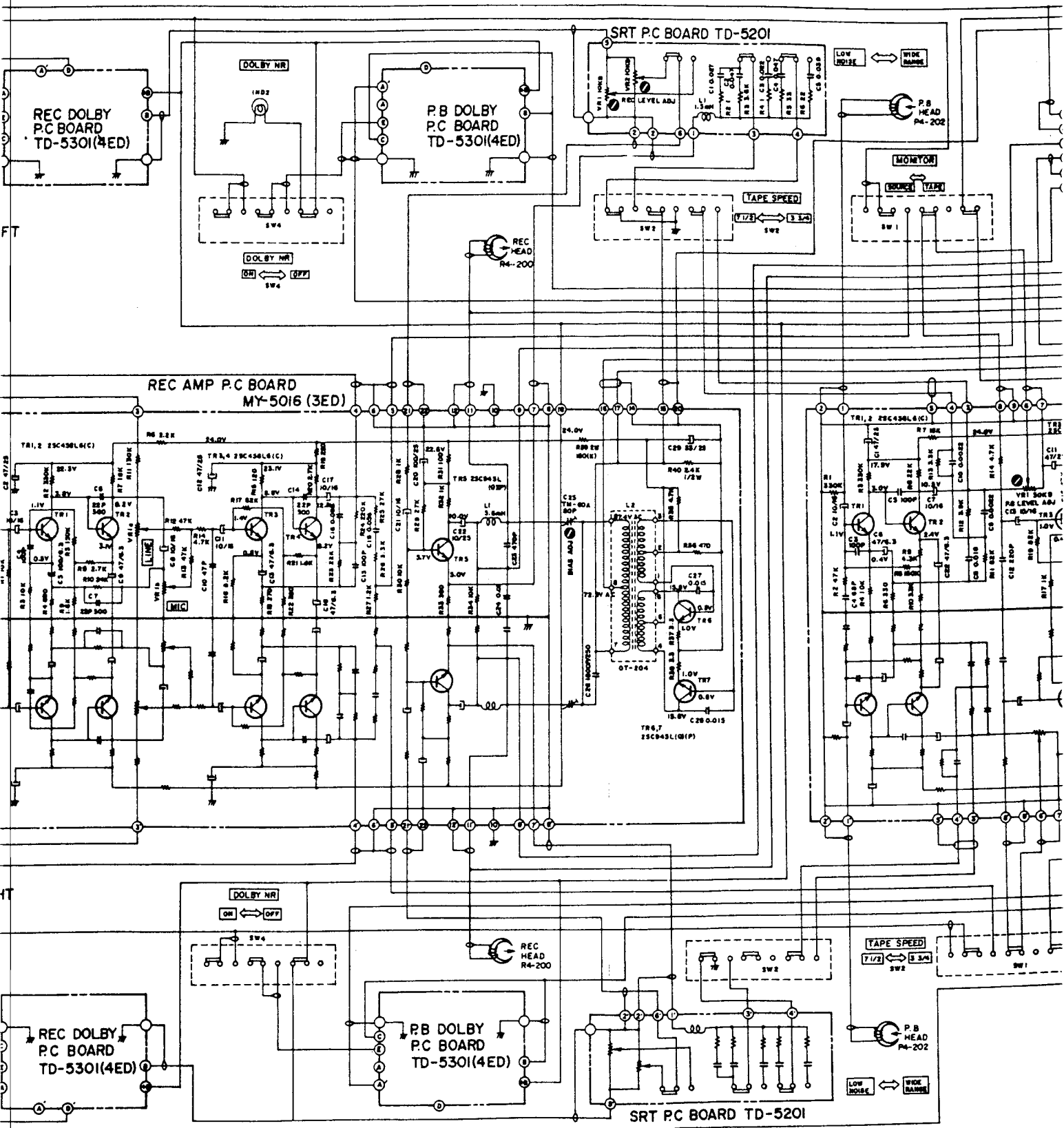
19) FINAL ASSEMBLY BLOCK

Ref. No.	Parts No.	Description	Schematic No.	Q'ty	Ref. No.	Parts No.	Description	Schematic No.	Q'ty
HEAD COVER TABLE BLOCK					CASE BLOCK				
19-1	SC640991	Head Cover Base	TE-6007	1	19-36x	BC647673	Case Block Comp.	TE	1
19-2	SC643724	Head Cover	TY-6004	1	19-37	BC640978	Wood Case	TE-6021	1
19-3x	SZ534543	Cushion Rubber C	TW-6039	2	19-38	SA640934	Square Foot, w/rubber	TE-6020	2
19-4	SM640956	Model Name Plate GX-630D	TE-6005	1	19-39x	ZS200610	Tapping Screw #1 4x12 (Truss)		4
19-5x	SM640967	Model Name Plate GX-630DB (DB)	TE-6005	1	19-40x	SZ480712	Dust Cover Pin	LE-6024	2
19-6x	MZ640800	Hinge Bracket	TE-6006	1	FINAL ASSEMBLY BLOCK				
19-7x	MZ598263	Hinge Angel	KJ-6017	1	19-41x	SP641024	Lower Side Plate A	TE-6013	1
19-8x	MV269965	Steel Ball D4		1	19-42x	SP641035	Lower Side Plate B	TE-6013	1
19-9x	ZG249107	Ball Retaining Spring	RD-432	1	19-43x	ZS325495	Tapping Screw #2 3x6		30
19-10x	ZW499593	Set Screw, hexagon socket 5x4 (Flat Point)		1	19-44x	SP641046	Upper Side Plate A	TE-6014	1
19-11x	MS597431	Hinge Shaft	KJ-6015	1	19-45x	SP641057	Upper Side Plate B	TE-6014	1
19-12x	SZ597420	Collar	KJ-6014	1	19-46x	MZ640877	Supporting Plate	TE-6016	2
19-13x	ZW420682	Washer (Nylon) D4.2x9x0.5t		1	19-47x	ZS417150	Screw, pan head 4x6		8
19-14x	ZW270101	'E' Ring 3M	6-1-9	2	19-48x	SZ529920	Reinforcement Angle A	ND-6003	1
19-15x	ZS323728	Screw, binding head 3x5		4	19-49x	ZS432674	Screw, pan head 3x3		1
MECH. PANEL BLOCK					19-50x	SA428714	LM Rubber Foot, w/screw	LM-404	4
19-16x	BZ647662	Mech. Panel Block Comp.	TE	1	19-51x	ZW324281	Screw, pan head 4x25		4
19-17	SP641237	Mech. Panel	TE-6001	1	19-52x	ZW419646	Washer (SPC) D4.5x9.8x0.5t		4
19-18	SE640754	Motor Escutcheon A	TE-6002	1	19-53x	ZS665550	Screw, pan head 4x15, w/washer		2
19-19	MZ640787	Impedance Roller Collar	TE-6003	1	19-54x	ZS664345	Screw, pan head 4x30 w/washer		4
19-20x	MZ640798	Arm Collar	TE-6004	2	19-55x	EZ640980	Amp. Shield	TE-6018	1
19-21	SE581602	Reel Table Escutcheon 2	TD-6021	2	19-56	SK638976	Knob I-C	CP-5018	4
19-22x	ZW575730	Speed Nut (P Type) 3	6-3-6	8	19-57	SK634410	Push Button Knob J	91-5051	3
19-23	SE626951	Counter Escutcheon	MY-6006	1	19-58x	EF563681	Fuse 1A250V	39-1-50	1
AMP. PANEL BLOCK					19-59x	ZS411660	Screw, oval countersunk head 3x6		2
19-24x	BZ647730	Amp. Panel Block Comp.	TE	1	19-60	EZ436217	Collar For Jack	MC-5006	3
19-25x	BZ647741	Amp. Panel Block Comp. (DB)	TE	1	19-61	SK640912	Double Knob (Upper)	TE-6011	2
19-26	SP641002	Amp. Panel	TE-6008	1	19-62	SK640923	Double Knob (Lower)	TE-6012	2
19-27x	SP641013	Amp. Panel (DB)	TE-6008	1	19-63	SK640901	Single Knob	TE-6010	1
19-28	SE631102	VU Escutcheon	MY-6205	2	19-64	SK645300	Pinch Roller Cap	TD-6013	1
19-29x	ZS575392	Screw, pan head 2.6x8		8	19-65	SE613901	Panel Screw	CW-6031	8
19-30x	ZW318014	Washer (BSP) D2.6x4.5x0.4t		8	19-66x	ZS312221	Screw, truss head 3x15 (Black)		4
19-31	SE612055	Lamp Lens A (Red)	CH-6314	1	19-67x	SE627120	Ventilator	MY-6014	1
19-32x	SE639696	Lamp Lens B-2 (DB)	NE-6005	1	19-68x	ZS392141	Tapping Screw #1 3x8 (Truss)		2
19-33x	SE613888	Button Escutcheon A (DB)	CW-6021	4	19-69	EW374894	AC Cord 3M	26-3-19	1
19-34x	SE613866	Button Escutcheon C	CW-6016	5	19-70x	EW516600	AC Cord VM-0065 (CEE)	26-3-28	1
19-35x	TC494267	Lamp Cover(DB)	CG-2206	1	19-71x	EW524845	AC Cord 2.5M (JPN)	26-3-31	1

For Service Manuals Contact
MAURITRON TECHNICAL SERVICES
 8 Cherry Tree Rd, Chinnor
 Oxon OX9 4QY
 Tel: 01844-351694 Fax: 01844-352554
 Email: enquiries@mauritron.co.uk

GX-630DB





REC DOLBY
P.C BOARD
TD-530I(4ED)

DOLBY NR

P.B DOLBY
P.C BOARD
TD-530I(4ED)

SRT P.C BOARD TD-520I

LOW NOISE

WIDE RANGE

P.B HEAD
P4-202

MONITOR

SW1

TAPE SPEED

7 1/2

3 3/4

SW2

REC HEAD
R4-200

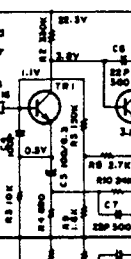
DOLBY NR

ON

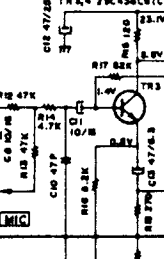
OFF

REC AMP P.C BOARD
MY-5016 (3ED)

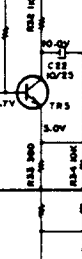
TR1,2 2SC458L6(C)



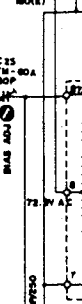
TR3,4 2SC458L6(C)



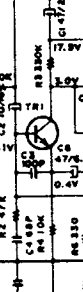
TR5 2SC943L (OP)



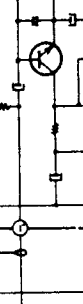
TR6,7 2SC943L(QI(P)



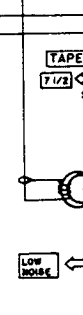
TR1,2 2SC458L6(C)



TR3 2SC458L6(C)



TR4 2SC458L6(C)



REC DOLBY
P.C BOARD
TD-530I(4ED)

P.B DOLBY
P.C BOARD
TD-530I(4ED)

SRT P.C BOARD TD-520I

P.B HEAD
P4-202

LOW NOISE

WIDE RANGE

TAPE SPEED

7 1/2

3 3/4

SW2

SW1

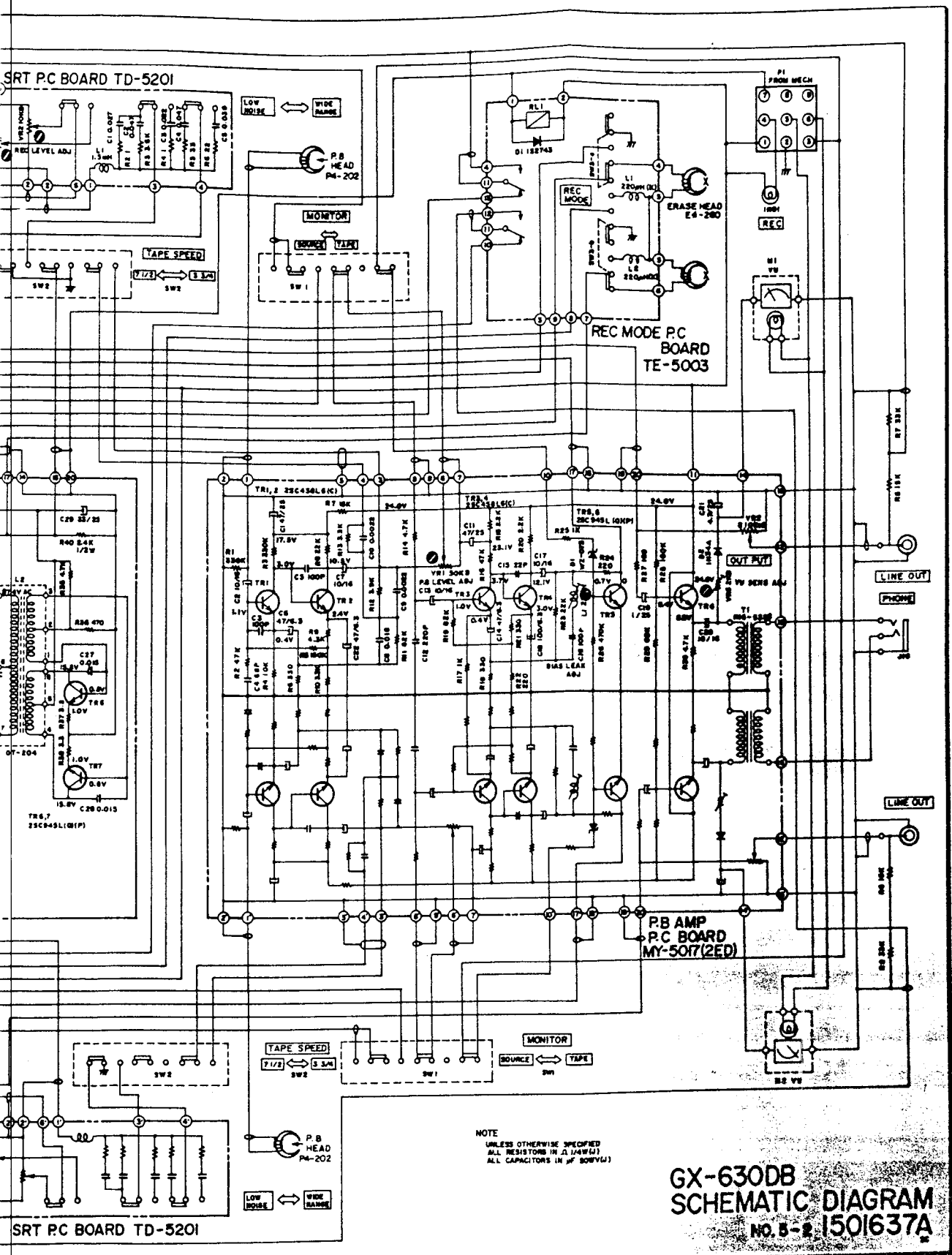
REC HEAD
R4-200

DOLBY NR

ON

OFF

For Service Manuals Contact
MAURITRON TECHNICAL SERVICES
 8 Cherry Tree Rd, Chinnor
 Oxon OX9 4QY
 Tel: 01844-351694 Fax: 01844-352554
 Email: enquiries@mauritron.co.uk

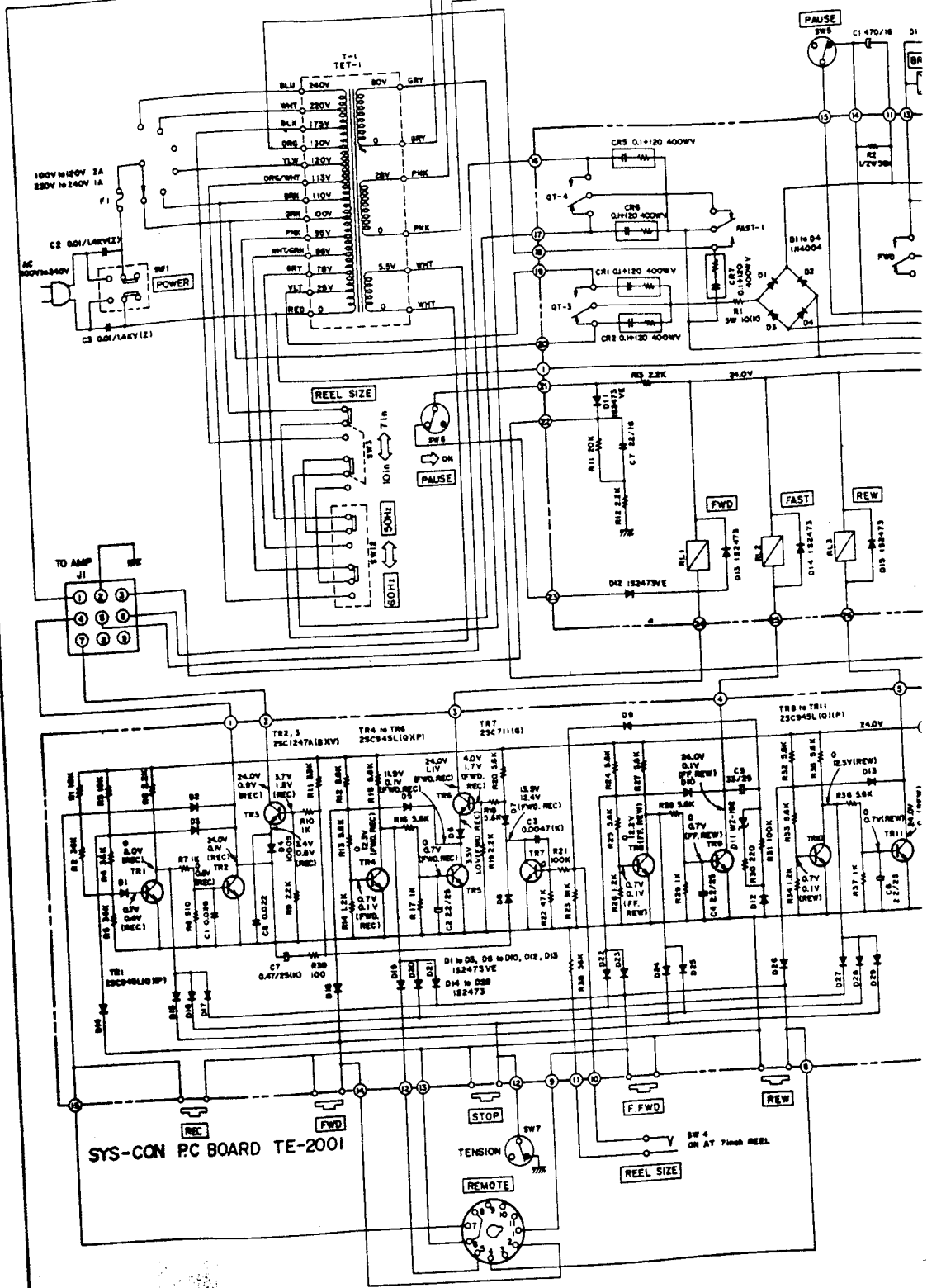


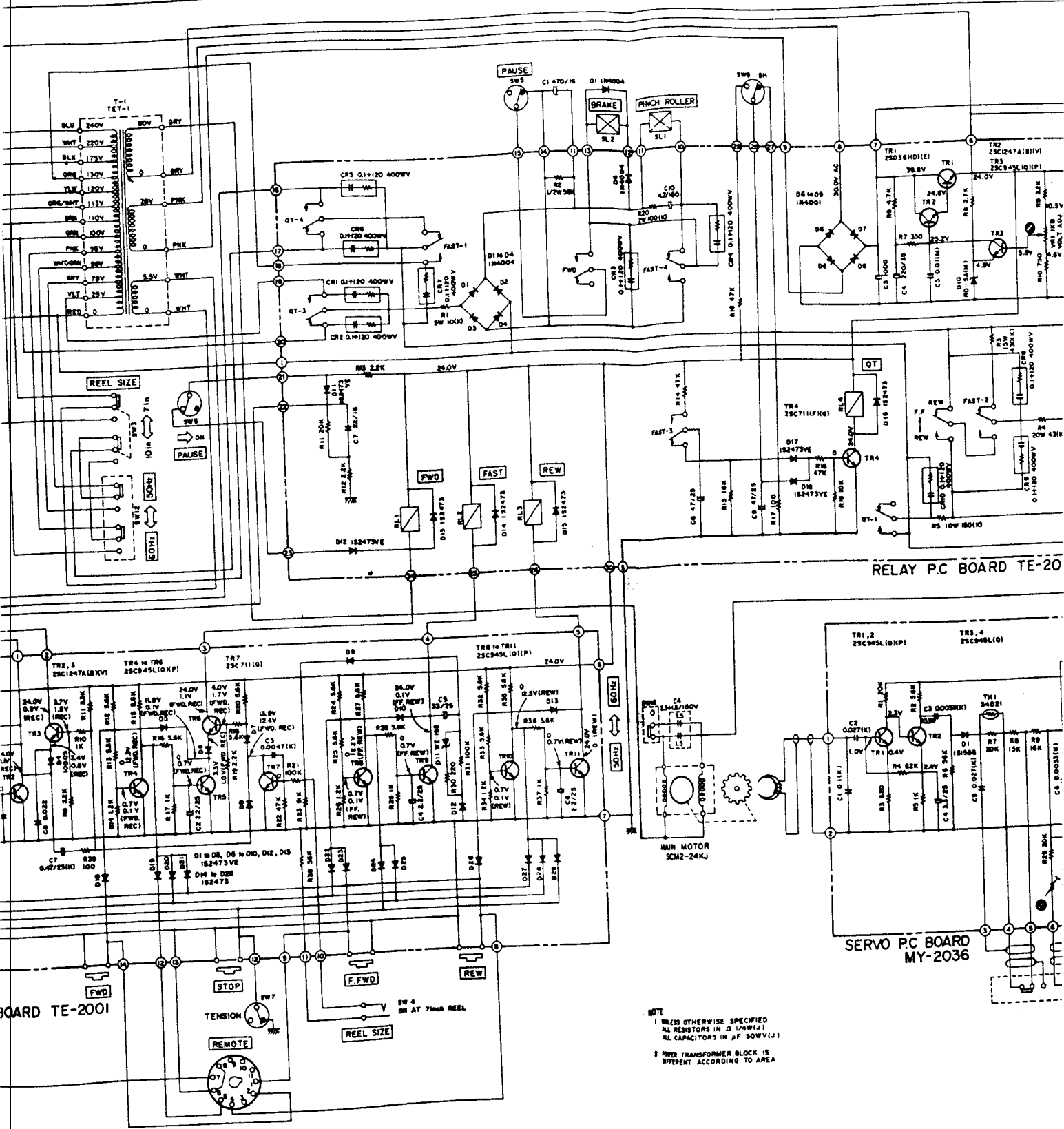
NOTE
 UNLESS OTHERWISE SPECIFIED
 ALL RESISTORS IN Ω 1/4W (1)
 ALL CAPACITORS IN μ F 50V (1)

GX-630DB
SCHEMATIC DIAGRAM
 NO. 5-2-1501637A

For Service Manuals Contact
MAURITRON TECHNICAL SERVICES
 8 Cherry Tree Rd, Chinnor
 Oxon OX9 4QY
 Tel:- 01844-351694 Fax:- 01844-352554
 Email:- enquiries@mauritron.co.uk

GX-630D/DB

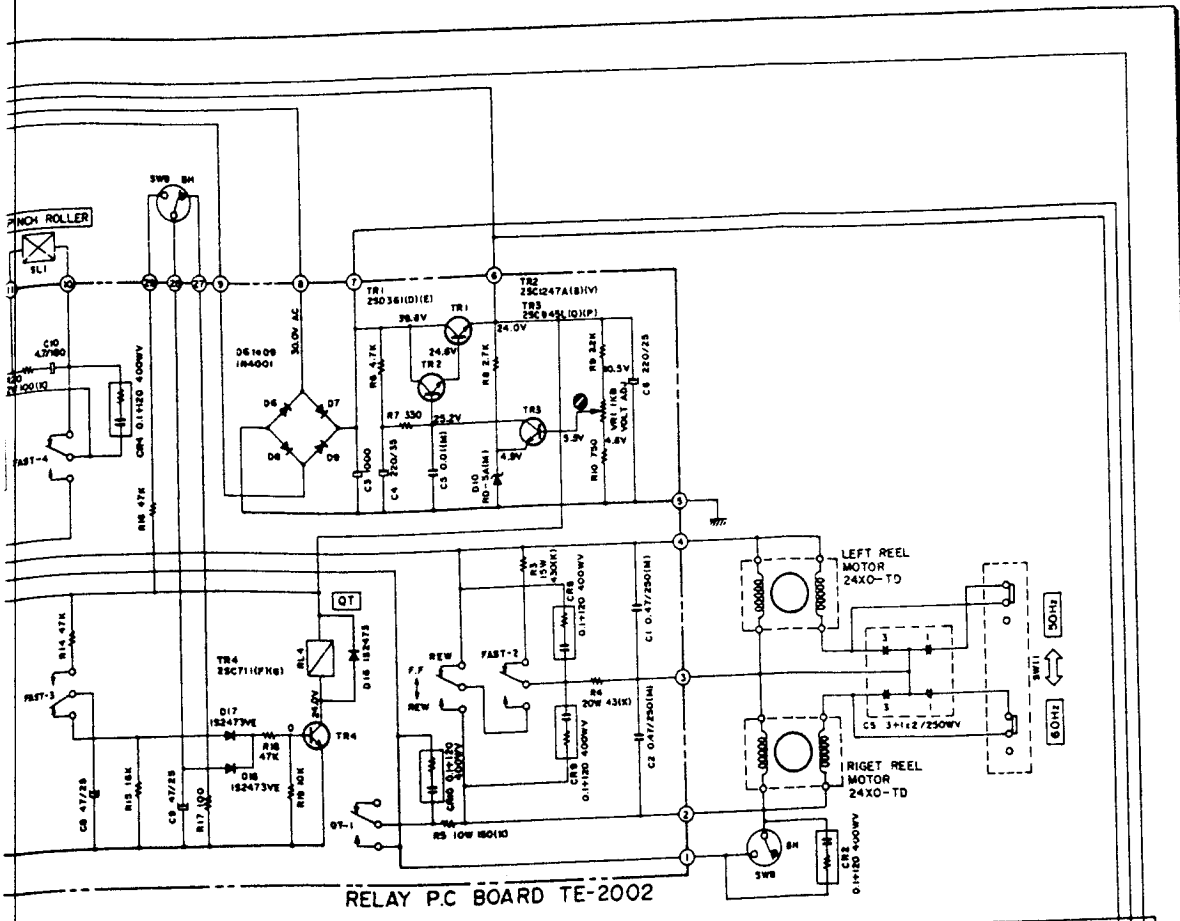




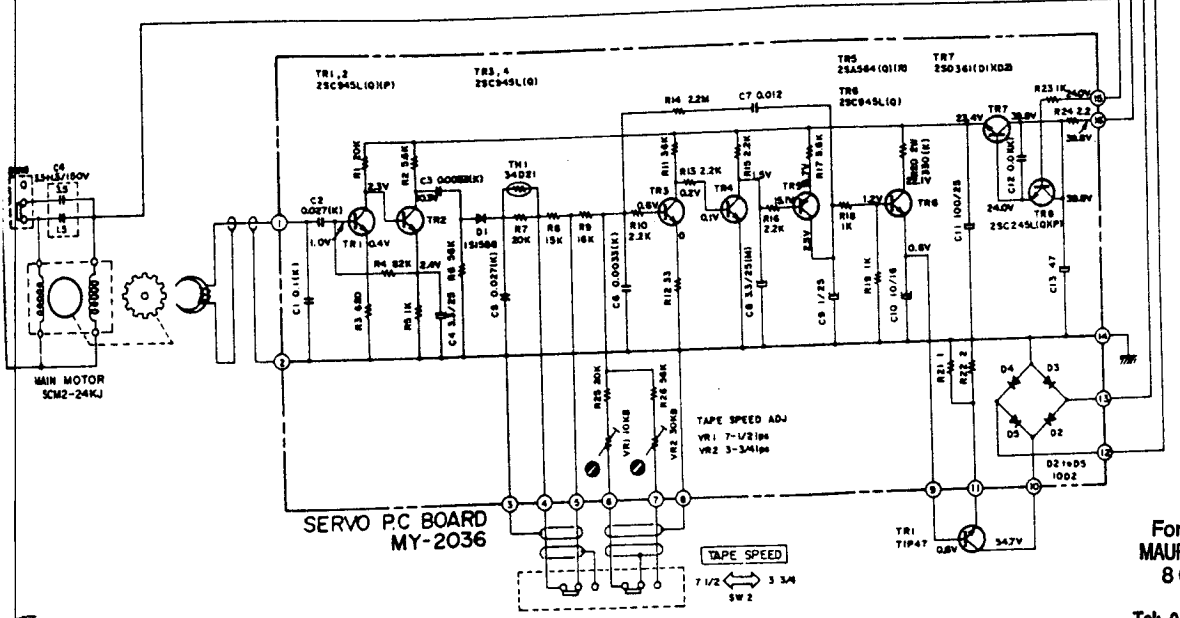
RELAY P.C. BOARD TE-20

SERVO P.C. BOARD MY-2036

NOTE
 1 UNLESS OTHERWISE SPECIFIED
 ALL RESISTORS IN Δ (PAW/J)
 ALL CAPACITORS IN \square (SOW/V/J)
 2 POWER TRANSFORMER IS
 DIFFERENT ACCORDING TO AREA



RELAY P.C BOARD TE-2002



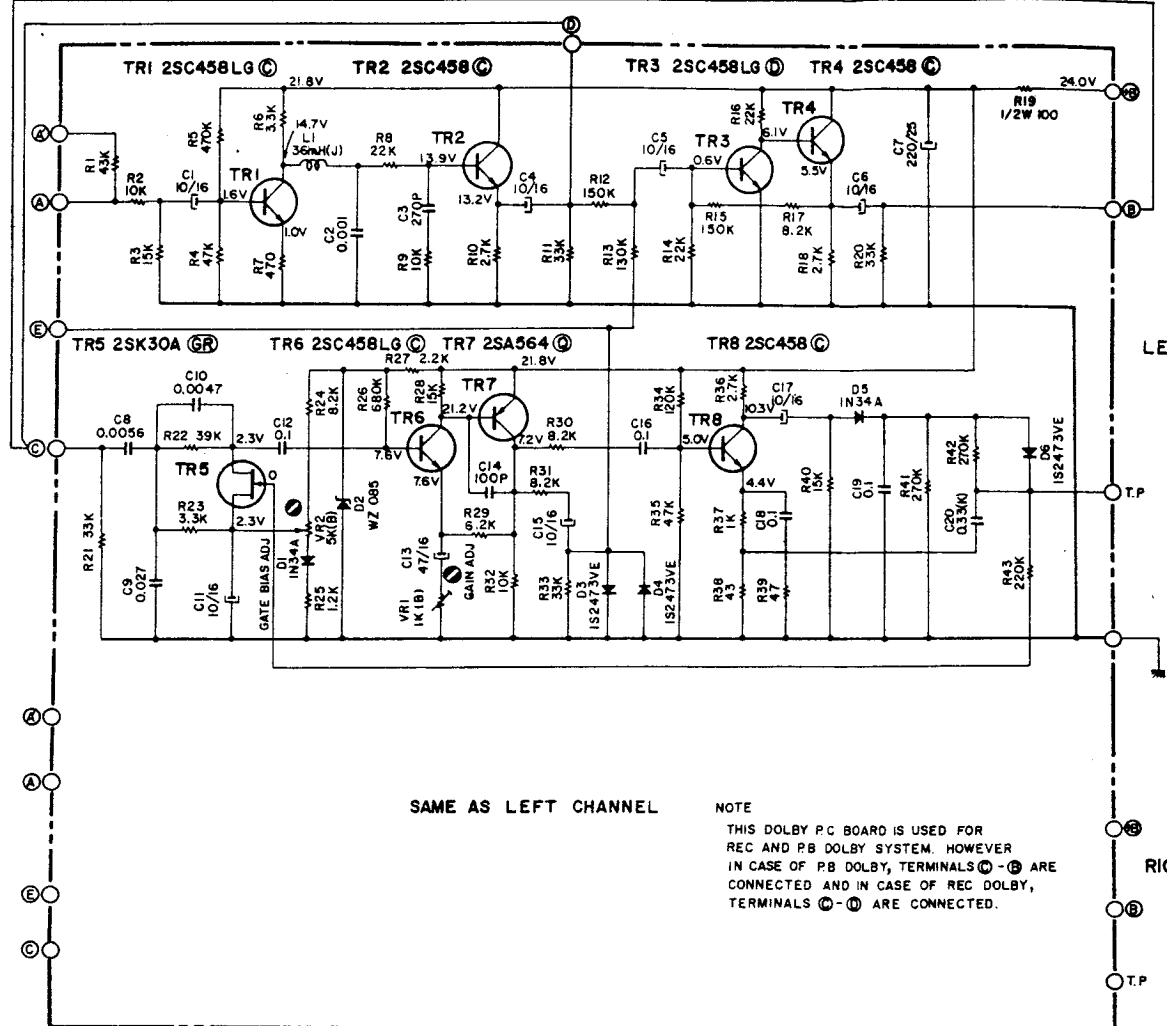
SERVO P.C BOARD MY-2036

NOTE
 1. UNLESS OTHERWISE SPECIFIED
 ALL RESISTORS IN Ω / $\text{k}\Omega$ / $\text{M}\Omega$
 ALL CAPACITORS IN μF / 50WV / μF
 2. POWER TRANSFORMER BLOCK IS
 DIFFERENT ACCORDING TO AREA

For Service Manuals Contact
MAURITRON TECHNICAL SERVICES
 8 Cherry Tree Rd, Chinnor
 Oxon OX9 4QY
 Tel: 01844-351694 Fax: 01844-352554
 Email: enquiries@mauritron.co.uk

GX-630D/DB
SCHEMATIC DIAGRAM
 No. 5-3 1501638A
 PC

GX-6300B



SAME AS LEFT CHANNEL

NOTE
THIS DOLBY P.C BOARD IS USED FOR
REC AND PB DOLBY SYSTEM. HOWEVER
IN CASE OF PB DOLBY, TERMINALS ①-② ARE
CONNECTED AND IN CASE OF REC DOLBY,
TERMINALS ③-④ ARE CONNECTED.

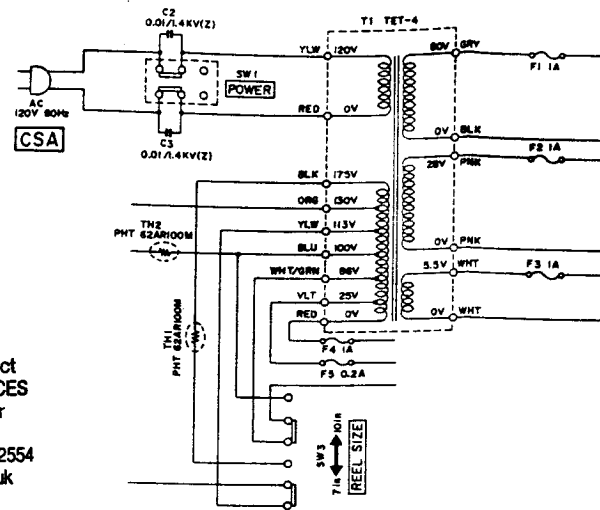
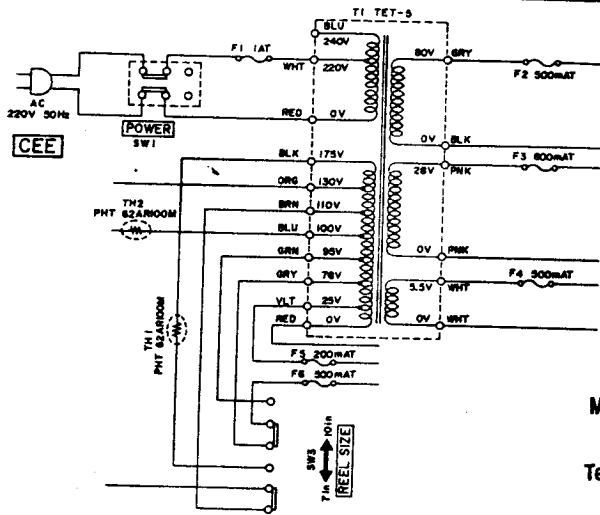
DOLBY P.C BOARD TD-5301 4ED

For Service Manuals Contact
MAURITRON TECHNICAL SERVICES
8 Cherry Tree Rd, Chinnor
Oxon OX9 4QY
Tel:- 01844-351694 Fax:- 01844-352554
Email:- enquiries@mauritron.co.uk

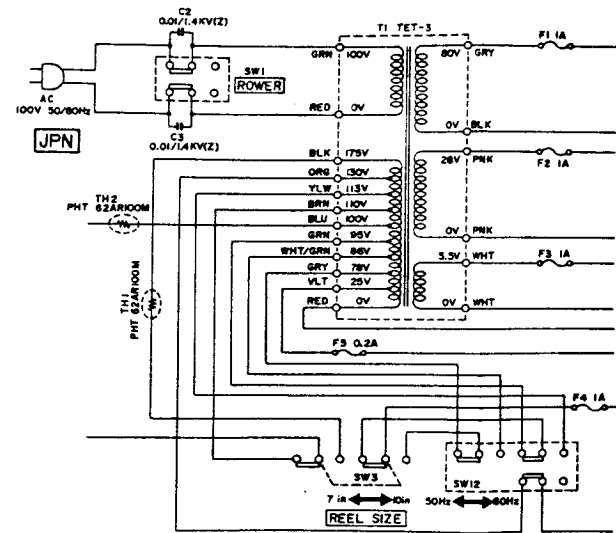
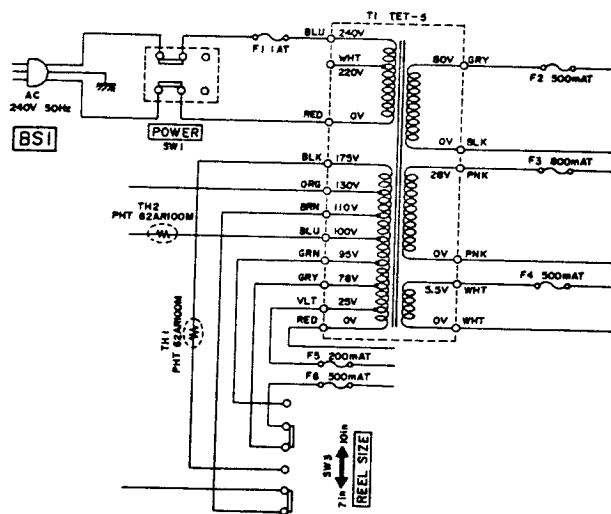
NOTE
UNLESS OTHERWISE SPECIFIED
ALL RESISTORS IN Ω 1/4W (J)
ALL CAPACITORS IN μ F 50WV (J)

GX-6300B
SCHEMATIC DIAGRAM
No.5-4 1501639A

GX-630D/DB



For Service Manuals Contact
MAURITRON TECHNICAL SERVICES
 8 Cherry Tree Rd, Chinnor
 Oxon OX9 4QY
 Tel: 01844-351694 Fax: 01844-352554
 Email: enquiries@mauritron.co.uk



GX-630D/DB SCHEMATIC DIAGRAM
 No. 5-5 1501640A