



AKAI

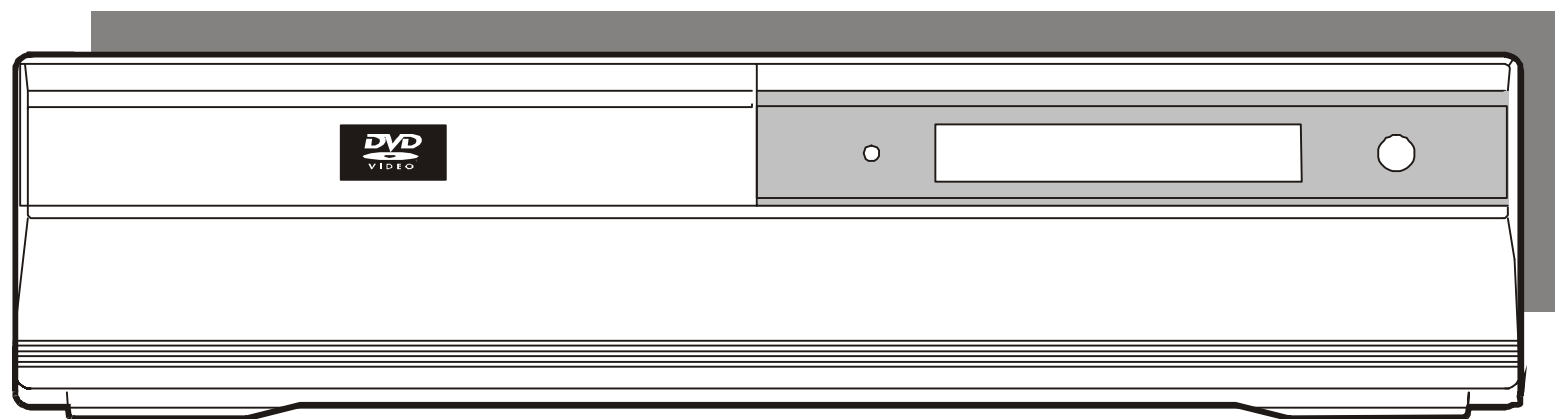
DVD HOME THEATRE SYSTEM

Model:
DV-R4000SS / DV-R4000VSS

SERVICE MANUAL

Service Manual

DVD HOME THEATRE SYSTEM




DV-R4000SS / DV-R4000VSS

CONTENTS

	Page
Performance Specifications	1
Electrical Parts List	8
Printed Circuit Boards	22
Wiring Diagram	31
Schematic Diagrams	33
Alignment Set-up Procedures	55
Equipment Connection Diagram	55
Voltage Chart	56
IC Block Diagrams & IC Pins Description	62
Block Diagrams	69
Exploded Drawing Parts List	75
Exploded Drawings	79

PRODUCT SAFETY NOTICE

Many electrical and mechanical parts in this chassis have special safety characteristics. These safety characteristics often pass unnoticed and the protection afforded by them cannot necessarily be obtained by using replacement components rated for higher voltage, wattage, etc. Replacement parts that have these special safety characteristics are identified in this manual and its supplements; electrical components having such features are identified by  in the schematic diagram and the parts list. Before replacing any of these components, read the parts list in this manual carefully. The use of substitute replacement parts that do not have the same safety characteristics as specified in the parts list may create shock, fire or other hazards.

PERFORMANCE SPECIFICATIONS

GENERAL TEST CONDITION	
Power Supply	: AC 230V/240V 50Hz
Output Load	: 8ohm non-reactive x 5; Subwoofer 6ohm x 1
Reference Output	: 500mW
Input Signal Source	: External AM Loop Antenna 75 ohm Dummy Antenna for FM
Modulation	: 30% 400Hz for AM 60% for Power 40kHz Deviation 1000Hz for FM 7.5kHz Pilot Tone 47.5kHz L+R 1000Hz

(AM) SECTION, AMPLITUDE, MODULATION				
	TEST ITEMS	UNIT	NOMINAL	LIMIT
1.	Tuning Range	kHz	531-1602	-
2.	I. F.	kHz	450	±3
3.	S/N 10mV/m	999kHz dB	36	30
4.	Sens. (at S/N 20dB)	603kHz dB	60	64
		dB	60	64
		1404kHz dB	60	64
5.	I. F. Rej.	603kHz dB	50	46
6.	Image Rej.	1404kHz dB	30	22
7.	Spurious Rejection	dB	35	25
8.	Bandwidth, -6 dB, at (Max. Sens. +6 dB)	999kHz kHz	6	4 - 9
9.	ACA (±9kHz) Input	999kHz dB	20	15
10.	AGC Figure Merit	100mV/m dB	45	40
11.	Distortion, 5mV/m, 30%	%	1	3
		80%	%	3
12.	a. 10% THD Power AC	DEV 80% W	15	13
	b. Woofer 10%	DEV 80% W	22	18
13.	a. Tweet (2nd 910kHz & 3rd 1350kHz) at 75 dB I/P	dB	15	10
14.	Audio Fidelity, Centre ±(6) dB	Hz	60/2200	120/2000
15.	Low Voltage AC	%	80	85
16.	a. Mod. Hum 10mV/M	dB	36	30
	b. Hum at Min. Vol.	mV	1	3
17.	Auto Stop Sens.	dB	64	70
18.	Step Frequency	kHz	-	9
REMARKS:				
NOTE: All measurement should be done in bypass mode without EQ effects.				

PERFORMANCE SPECIFICATIONS - CONTINUED

(FM) SECTION, FREQUENCY, MODULATION				
	TEST ITEMS	UNIT	NOMINAL	LIMIT
1.	Tuning Range	MHz	87.5-108	-
2.	I. F.	MHz	10.7	±0.3
3.	30dB S/N	90MHz dB	20	25
		98MHz dB	20	25
		106MHz dB	20	25
4.	-3dB Limit Sens.	dB	16	30
5.	I. F. Rej.	98MHz dB	60	50
6.	Image Rej.	106MHz dB	30	23
7.	Spurious Rejection (F + 0.535 MHz) (Max. Sens. + 6dB)	dB	40	35
8.	AM Suppression (60dB I/P)	dB	45	30
9.	Mod. Hum (60dB I/P)	dB	48	42
10.	Distortion at 1mV/m (Mono)	22.5kHz %	1	2
		100mV/m 75kHz %	3	5
11.	Audio Fidelity, (-3dB) (Pre-emphass) Subwoofer	(50µS) (FR.FL) Hz	60/9000	120/6000
		1K=0 100 Hz	36	30
12.	Power Out, 10% THD (55K Dev.) 1K=1mV Subwoofer Power Out, 10% THD (55K Dev.) 100Hz=1mV	W	15	13
13.	Low Voltage AC	%	80	85
14.	S/N Ratio at 1mV	98MHz dB	52	46
15.	Alternate Channel Selective ±400kHz	dB	25	18
16.	Stereo Separation	dB	26	22
17.	19kHz Leak Carrier	dB	32	27
18.	Stereo LED Indication	dB	26	30
19.	Step Frequency	kHz	-	50
20.	Auto Stop Sens.	dB	26	32
21.	Minimum Vol. Hum	mV	1.0	3.0
REMARKS:				
NOTE: All measurement should be done in bypass mode without EQ effects.				

PERFORMANCE SPECIFICATIONS - CONTINUED

VIDEO SECTION - 1			
		TEST CONDITIONS	SPEC.
1.	Video Level	Equipment: Waveform Monitor (Except VM700) Test Signal: LT2-1,1-1, SMPTE Color Bar Test Point: Complex or S(Y) Output Method: 1. Connect TP to Waveform Monitor 2. Play Test Disc and Test Output Level from Pdestal of H display to 100IRE (S Terminal without Load When Test complex Output)	714-71/+107 mV
2.	SYNC Level	Equipment: Waveform Monitor (Except VM700) Test Signal: LT2-1,1-1, SMPTE Color Bar Test Point: Complex or S(Y) Output Method: 1. Connect TP to Waveform Monitor 2. Play Test Disc and Test SYNC Signal (S Terminal without Load When Test Complex Output)	286-29/+43 mV
3.	Chroma Burst Level C-BURST	Equipment: Waveform Monitor (Except VM700) Test Signal: LT2-1,1-1, SMPTE Color Bar Test Point: Complex or S(Y) Output Method: 1. Connect TP to Waveform Monitor 2. Play Test Disc and Test Chroma Burst Level (S Terminal without Load When Test Complex Output)	286-29/+43 mV
4.	Chromatism Signal Output Level	Equipment: Waveform Monitor (VM700) Test Signal: LT2-1,1-1, SMPTE Color Bar Test Point: Chromatism Output (Y/CB/CR) Method: 1. Connect TP to Waveform Monitor 2. Play Test Disc and Test Output Level and PP Value of CB,CR	Y=714-71/+107mV SYNC=286-29/+43mV CB,CR= 525-53/+79mV B-Y=286-29/+43mV R-Y=286-29/+43mV
5.	Frequency Response	Equipment: Waveform Monitor (VM700) Test Signal: LT2-1,1-1, Multi Burst Test Point: Complex or S(Y) Output Method: 1. Connect TP to waveform monitor 2. Play Test Disc and Test Various Frequencies Output level 3. Set Level of 0.5MHz to be 0dB. Compare Output Level of others with 0dB.	0.5MHz=0dB 2MHz=0±1.0dB 4MHz=0±1.5dB 5.75MHz=0=4/-5dB
6.	Luminance S/N	Equipment: Waveform Monitor (Expect VM700) Video Noise Meter Test Signal: LT2-1,1-3, 50% Whirt (50IRE) Test Point: Complex or S(Y) and Component(Y) Output Method: 1. Connect TP to Video Noise Meter 2. Play Test Disc Signal Portion (50% IRE) and Test Noise Level. (Test L131 when Using VM700) Test Equipment Condition: (4.2MHz LPF, SC Trap, 100kHz HFP. ON)	Play 50% IRE: Noise level ≤ -60dB
7.	Chroma Signal AM, PM S/N	Equipment: Video Noise Meter (Expect VM700) Test Signal: LT2-1,1-3 Test Point: Complex or S(C) Output Method: 1. Connect TP to Video Noise Meter 2. Play Test Disc Signal Portion and Test Noise Level of Chroma Signal. (Test L131 When Using VM700) Test Equipment Condition: (100Hz~1MHz BPF, SC Trap,. ON) (VM700: 100kHz HPF,1MHz LPF, Single Line)	Chroma Signal Noise Level ≤ - 50dB

PERFORMANCE SPECIFICATIONS - CONTINUED

VIDEO SECTION - 2			
		TEST CONDITIONS	SPEC.
8.	Color Phase	Equipment: Video Analyser (Expect VM700) Test Signal: LT2-1,1-1, SMPTE Color Bar Test Point: Complex or S(C) Output Method: 1. Connect TP to Video Analyser 2. Test Phase of Various Colors in Color Bar.	YEL.=167.6° CYAN=283.5° GRN.=240.6° MAG.=60.6° RED=103.5° BLU.=347.6° within+9°/-1°
9.	RGB Output (only for w/RGB Model)	Equipment: Waveform Monitor Test Signal: LT2-1,1-1, SMPTE Color Bar Test Point: RGB Output Method: 1. Connect TP to Waveform Monitor 2. Convert to RGB Output Mode 3. Play Test Disc Signal Portion and Test 100IRE (100% Whirt) Output Level.	700-70/+105mV
10.	Sub Carrier Frequency	Equipment: Video Analyser (Expect VM700) or Spectral Analyser Test Signal: LT2-1,1-1, SMPTE Color Bar Test Point: Complex or S(C) Output Method: 1. Connect TP to Video Analyser 2. Play Test Disc Signal Portion and Test Sub Carrier Frequency. NOTE: Test Data After Power ON 25~35 Seconds.	NTSC= 3579545±160Hz PAL= 4433619±200Hz
REMARK: 1. The initial picture of TV shape is 4:3 Normal. 2. Black level is Enhanced. 3. Audio output select is Analog 2CH.			

PERFORMANCE SPECIFICATIONS - CONTINUED

AMPLIFIER SECTION					
	TEST ITEMS	UNIT	NOMINAL	LIMIT	
1.	10% THD Power AC (FL, FR)	W	15	13	
2.	Frequency Responce (CT) 1K=0dB	100Hz	dB	-3	±3
		10kHz	dB	0	±3
		20kHz	dB	0	±6
3.	Frequency Responce (RR, RL) 1K=0dB	100Hz	dB	-3	±3
		10kHz	dB	0	±3
		20kHz	dB	0	±5
4.	Frequency Response (FL, FR) 1K=0dB	20Hz	dB	-3	±3
		100Hz	dB	0	±3
		10kHz	dB	0	±3
		10kHz	dB	0	±3
		20kHz	dB	0	±3
5.	Frequency Response (Subwoofer) 1K=0dB	20Hz	dB	40	35
		100Hz	dB	40	35
6.	10% THD Power AC (Subwoofer)	W	22	18	
7.	Subwoofer THD (100Hz Ref O/P)	%	0.5	1.0	
8.	THD (1kHz, Ref O/P) FR, FL	%	0.5	0.8	
9.	Channel Unbalance (L&R)	1kHz	dB	±1	±3
10.	Minimum Vol Hum (UNWGTD/WGTD)	mV	1	3	
11.	Maximium Vol Hum (UNWGTD/WGTD)	mV	3	10	
12.	S/N (UNWGTD/CCIR-ARM2K) (L&R)	1kHz	dB	60	55
13.	Bass Effect FL, FR		dB	±10	±4
14.	Treble Effect FL, FR		dB	±10	±4
15.	Separation (FL & FR)		dB	-	45
16.	Cross Talk for Input (AUX/CD-REF) w/BPF		dB	-	45
REMARKS:					
Level Matching					
AM: 55% 5mV/m ±3					
FM: 40kHz 1mV ±3					
CD -6dB REF ±3					
AUX IN: 750mV ±3					
NOTE: All measurement should be done at bypass mode without EQ effects.					
Audio others :6ch					
More audio prologic :on					
ITEM 1.2.3.4 Set up subwoofer for off speaker for large.					

PERFORMANCE SPECIFICATIONS - CONTINUED

DVD AUDIO SECTION (LINE OUTPUT)					
	TEST ITEMS	UNIT	NOMINAL	LIMIT	
1.	THD+N (LT2-1, 3-1 20kHz LPF ON)	%		0.05	
2.	Output Level (LT2-1, 3-1)	V	2.0	±0.3	
3.	S/N (LT2-1, 3-20 JIS-A Filter ON)	dB	80	70	
4.	Crosstalk (LT2-1, 3-21.22 1kHz, BPF ON)	dB		70	
5.	Frequency Range (48kHz / 24BIT) (LT2-1. 3-1~19) (FL, FR)	31Hz	dB	0	±1.0
		499Hz	dB	0	±1.0
		1kHz	dB	0	±1.0
		10kHz	dB	0	±1.0
		22kHz	dB	0	±1.0
6.	Frequency Range (96kHz / 24BIT LT2-1, 6-1~12) (FL, FR)	20Hz	dB	0	±3.0
		400Hz	dB	0	±3.0
		1kHz	dB	0	±3.0
		12.8kHz	dB	0	±3.0
		20kHz	dB	0	±3.0
7.	Digital Output Level	mV	500	±100	
8.	Dynamic Range (20kHz LPF is ON)	dB		85	
9.	Black Band (TDV 545)	dB	-	600	
10.	Finger Print	dB	-	No.10	
11.	Eccentric (MDVD142 TEAC)	dB	-	200	
12.	Vertical	mm	-	0.6	
CD SECTION					
1.	Interruption (PHILIPS SBC444A)	dB	-	600	
2.	Black Dot	dB	-	600	
3.	Finger Print	dB	-	No.18	
4.	Eccentric (TCO-712 ABEX)	dB	-	140	
5.	Vertical (TCO-731R ABEX)	mm	-	0.8	
CD - R SECTION					
1.	Black Band (TCD-R025W)	dB	800	600	
2.	Finger Printers (TCD-R025W)	dB	-	65	
3.	Scratch (TCD-R021W)	mm	1.8	1.6	
4.	Eccentric (TCD-R012W)	dB	-	140	
5.	Deviation (TCD-R032W)	dB	-	810	
CD - RW SECTION					
1.	Black Band (TCD-W025W)	dB	600	500	
2.	Finger Printers (TCD-W025W)	dB	-	65	
3.	Scratch (TCD-W021W)	mm	-	1.0	
4.	Eccentric (TCD-W012W)	dB	-	140	
5.	Deviation (TCD-W032W)	dB	-	810	

PERFORMANCE SPECIFICATIONS - CONTINUED

**AV IN 750mV INPUT 100Hz (with 20kHz B.P.F) 100Hz=0dB 1kHz=0dB
(Speaker for Small)**

BY PASS R=L= -2dB

	R	L	C	SR	SL	SW	Unit
R	0	≤ -50	≤ -50	≤ -50	≤ -50	5±3	dB
L	≤ -50	±3	≤ -50	≤ -50	≤ -50	5±3	dB
Phase	±3	±3	≤ -50	≤ -50	≤ -50	8±3	dB
Antiphase	±3	±3	≤ -50	≤ -50	≤ -50	-	dB
10% THD Power 100Hz 1V Input	15±2	15±2				18±2	W
FREQUENCY RESPONSE 1K=0dB							dB
L/R	100Hz	-3±3	20kHz	±3			dB

Prologic

	R	L	C	SR	SL	SW	Unit
R	-2±3	≤ -55	≤ -35	≤ -35	≤ -35	±3	dB
L	≤ -55	-2±3	≤ -35	≤ -35	≤ -35	±3	dB
Phase	≤ -35	≤ -35	±3	≤ -35	≤ -35	±6	dB
Antiphase	≤ -35	≤ -30	- 40	-3±3	-3±3	≤ -32	dB
FREQUENCY RESPONSE 1K=0dB							dB
L/R	100Hz	-3±3	20kHz	±3			dB
C (Phase)	100Hz	-3±3	20kHz	-20/±3			dB
SR/SL (Antiphase)	100Hz	-3±3	8K	-6/±3			dB

Movie

	R	L	C	SR	SL	SW	Unit
R	-3±3	≤ -55	≤ -35	≤ -35	≤ -35	±3	dB
L	≤ -55	-3±3	≤ -35	≤ -35	≤ -35	±3	dB
Phase	≤ -35	≤ -35	±3	≤ -35	≤ -35	±6	dB
Antiphase	≤ -35	≤ -35	≤ -35	-3±3	-3±3	≤ -32	dB
FREQUENCY RESPONSE 1K=0dB							dB
C (Phase)	100Hz	-3±3	8kHz	-3±3			dB
SR/SL (Antiphase)	100Hz	-3±3	8kHz	-3±3			dB
L/R	100Hz	-3±3	20kHz	-3±3			dB

Music

	R	L	C	SR	SL	SW	Unit
R	-9±3	≤ -55	≤ -55	-10±3	≤ -35	-5±3	dB
L	≤ -55	-9±3	≤ -55	≤ -35	-10±3	-5±3	dB
Phase	≤ -35	≤ -35	-6±3	≤ -35	- 35	±6	dB
Antiphase	≤ -35	≤ -35	≤ -35	-3±3	-3±3	≤ -35	dB
FREQUENCY RESPONSE 1K=0dB							dB
L/R	100Hz	-3±3	20kHz	-3±3			dB
C (Phase)	100Hz	-3±3	8kHz	-3±3			dB
SR/SL (Antiphase)	100Hz	-3±3	8K	-3±3			dB

MATRIX

	R	L	C	SR	SL	SW	Unit
R	-6±3	≤ -55	-10±3	-6±3	-20±2	±3	dB
L	≤ -55	-6±3	-10±3	-20±2	-6±3	±3	dB
Phase	-10±3	-10±3	-6±3	-10±3	-10±3	±6	dB
Antiphase	-10±3	-10±3	≤ -35	-6±3	-6±3	-	dB
FREQUENCY RESPONSE 1K=0dB							dB
L/R	100Hz	-3±3	20kHz	-3±3			dB
C (Phase)	100Hz	-3±3	8kHz	-3±3			dB
SR/SL (Antiphase)	100Hz	-3±3	8K	-3±3			dB

ELECTRICAL PARTS LIST

Ref. No.	Description	Mfr's Part No.	Qty.
PCB			
MAIN PCB	PCB STS71AAST-01-01(94V0)	033-ST571A-300	1
KEY PCB	PCB STS71AAST-01-02 (94V0)	033-ST571A-300	1
LED PCB	PCB STS71AAST-01-03 (94V0)	033-ST571A-300	1
FAN CONTROL PCB	PCB STS31AAST-01-06 136x91.2x1.6mm/6 (94V0)	033-ST531A-100	1
REGULATOR PCB	PCB STS71AAST-01-04 120x112x1.6mm/7 (94HB)	033-ST571A-101	1
MPEG + SERVO PCB	PCB STS71AAST-01-05 153x184.5x1.6mm/2	033-ST571A-100	1
SCART PCB	FR4 DOUBLE SIDED, w/PATH THROUGH HOLE PCB STS21AAST-01-05 140x95x1.6mm/4 (94V0)	033-ST521A-104	1
BLANK PCB	PCB STS71AAST-01-06 167x39x1.6mm/7 (94V0)	033-ST571A-102	1
LOAD MOTOR PCB	PCB STS21AAST-01-09 171x88.5x1.6mm/12 (94V0)	033-ST521A-108	1
TUNER PCB	PCB STS21AAST-01-04 141x130x1.6mm/3 (94V0)	033-ST521A-103	1
REMOTE CONTROL SECTION			
	REMOTE CONTROL HANDSET, w/CAM-0122 SPY, (FOR AKAI/STS2x/7x)	043-R15448-120	1
ACCESSORY SECTION			
WIRE			
	JP WIRE AWG26#UL1007 1500mm BLK CRIMPED w/TERMINAL SHS #STV8-TE AND TUBE (75ohm)	054-010A50-090	1
MISCELLANEOUS			
	SCART CABLE 2000mm w/3 PIN RCA HS02038-20-20	122-00A020-200	1
	BATTERY #GP15G 1.5V 'AA' SIZE (GP)	130-615004-001	1
	MERCURY & CADMIUM FREE (2PCS/PACKAGE) AM LOOP ANT.388-88 & 388-89 MOLD BK (ABS) 5264-2 2.54mm w/5750mm BK AWG26#UL1007	132-020388-882	1
AUDIO SECTION			
RESISTORS [All are +5% 1/16W (1/8W) tape & wheel resistors unless otherwise specified]			
R603,611,612,613,675	*CdF RESISTOR 1 Kohm	001-010251-016	5
R609	*CdF RESISTOR 10 Kohm	001-010351-016	1
R656,664,666,668,670,672, 674	*CdF RESISTOR 100 Kohm	001-010451-016	7
R660	*CdF RESISTOR 150 ohm	001-015151-016	1
R608	*CdF RESISTOR 15 Kohm	001-015351-016	1
R614,615,626,627,636,637	RESISTOR 18 Kohm	001-018351-016	6
R649	*CdF RESISTOR 220 ohm	001-022151-016	1
R602,616,617,618,619,624, 625,628,629,634,635,638, 639,650,651,677,678,679, 680	*CdF RESISTOR 2.2 Kohm	001-022251-016	19
R606,607,652	*CdF RESISTOR 22 Kohm	001-022351-016	3
R620,621,630,631,640,641	RESISTOR 2.2 ohm	001-022851-016	6
R622,623,632,633,642,643	RESISTOR 2.7 Kohm	001-027251-016	6
R687,688	RESISTOR 27 Kohm	001-027351-016	2
R558,559	RESISTOR 3.9K	001-039251-016	2
R501,502,503,504,505,506, 570,571,605,654,661,662	*CdF RESISTOR 4.7 Kohm	001-047251-016	12
R601	*CdF RESISTOR 47 Kohm	001-047351-016	1
R507,508,509,510,511,512	RESISTOR 5.6 Kohm	001-056251-016	6
CAPACITORS			
C612,613,625,636,637	CERAMIC CAP 470 pF/50V +-10% TAPING (B TYPE/4mm)	003-047110-051	5
C618,619,630,631,642,643, 660,661,662,663	#MYLAR CAP 0.1 uF/50V +-10%	004-010410-050	10

ELECTRICAL PARTS LIST - CONTINUED

Ref. No.	Description	Mfr's Part No.	Qty.
C646	(F004-015310-050) #MYLAR CAP 0.015 uF/ 100V +-10%	004-015310-100	1
C678,679	#MYLAR CAP 0.0047 uF/100V +-10%	004-047210-100	2
C624,648	#MYLAR CAP 0.068 uF/100V +-10%	004-068310-100	2
C614,615,627,638,639,666, 669,672,674,675,684,690	ELECT CAP 1 MFD/50V +-20% (5x11)	006-001000-50D	12
C626,644,665,670,671,673, 676,683,685	ELECT CAP 2.2 MFD/50V +-20% (5x11)	006-002000-50D	9
C658,680	ELECT CAP 100 MFD/10V +-20% (5x11)	006-010100-10D	2
C610,611,622,623,634,635, 650	ELECT CAP 100 MFD/16V +-20% (5x11)	006-010100-16D	7
C616,617,629,640,641	ELECT CAP 1000 MFD/25V +-20% (12.5x20)	006-010200-25D	5
C651	ELECT CAP 220 MFD/16V +-20% (8x11.5)	006-022100-16D	1
C628	ELECT CAP 2200 MFD/25V +-20% (16x25)	006-022200-25D	1
C601	ELECT CAP 2200 MFD/50V +-20% (16x31.5)	006-022200-50D	1
C605,606,607,608,609,620, 621,632,633	*CdF ELECT CAP 47 MFD/16V +-20% (5x11)	006-047000-16D	9
C604	ELECT CAP 470 MFD/10V +-20% (8x11.5)	006-047100-10D	1
TRANSISTORS			
Q522,523,602,606,607,608, 609,610,611,613	TRLNPNST-TAP&TO-092 3DG1815	008-618150-000	10
Q603	TR PNPGEN-TAP&SC-072 DTA123ESA (ROHM) (88-WA2-662-08)	008-800123-003	1
Q601	TR NPNSST-RAD&SC-072 DTC114ES (ROHM)	008-801141-000	1
Q571,615	TR NPNSST-RAD&SC-072 DTA114TS/A (ROHM) KRA-111M (KEC)	008-801142-000	2
INTEGRATED CIRCUITS			
IC605	ICAUDIOLEVELSENSOR BD3814FV (SSOP-B40) (ROHM)	010-263814-000	1
IC502	ICAMP-OP-02CH-DUALV LS4558N	010-404558-003	1
IC601,602,603	ICAMP-POWR-&&&&&W TA8258H (TOSHIBA)	010-838258-000	3
DIODES			
D601,602,603,604,605,606, 607,608	DIODE IN-4148 ROHM/TELEFUNKEN TAP**50 KEL(NS)(TAP:52mm)/NS(FAIRCHILD)/SEMTECH	011-004148-000	8
DZ602,603	ZENER BZX55C7V5 7.5V 1/2W	011-010075-121	2
DZ808	ZENER DIODE 10V #MTZJ10D 1/2W (ROHM)	011-010100-122	1
INDUCTORS			
FB501,502,503,504	FERRITE BEAD INDUCTOR #PI0243NL R6H 5x3.6	032-100243-000	4
WIRES			
	FFC CABLE 24 PINS L=88mm PITCH:1mm 0.035x0.7 UL2896	040-240088-100	1
JM2 TO JM3	JP WIRE AWG22#1007 5x5mm 90mm BLACK	051-275090-009	1
G3	*CdF JP WIRE AWG26#1007 5x5mm 100mm RED	051-675100-006	1
G2	*CdF JP WIRE AWG26#1007 5x5mm 100mm BLACK	051-675100-009	1
MISCELLANEOUS			
SPK601	12P PUSH TER.BD PST-1206V-231/MSP-3612V-24LF R,BL,BR,Y,GN,W,BKx6 =118-003612-000	118-001206-000	1
JK502	PIN JACK HTJ-032-08B0 ORANGE (KUNMING) MTJ-032-12B-05(MSC)/RCA-115V-051	118-020032-009	1
JK501	RCA JACK MSP-226V24-23 NI ALE/ RCA-616AV-211 GREEN,YEL,BLUE,REDx2,WHT	118-020226-000	1
JK503	DIN JACK HDC-056 (KUNMING) DS-28 (LINKTECH)	119-000056-000	1
RTM801	⚠ THERMISTOR T5D410K45JBPDA-0/100KD-5K/ JTR5T104K52PU5	124-205410-001	1

ELECTRICAL PARTS LIST - CONTINUED

Ref. No.	Description	Mfr's Part No.	Qty.
WH501	FFC CONNECTOR 24 PINS PITCH:1mm 9615S-24A-PP-A/D100-SSA-24/S10024V VERT.	135-009615-240	1
AUX-IN (2.1CH) SECTION			
RESISTORS [All are +-5% 1/16W (1/8W) tape & wheel resistors unless otherwise specified]			
R515,516	RESISTOR 27 Kohm	001-027351-016	2
R513,514	RESISTOR 8.2 Kohm	001-082251-016	2
CAPACITORS			
C501,502	CERAMIC CAP 100 pF/50V +-10%	003-010110-050	2
	CERAMIC CAP 0.02 uF/50V +80%-20%	003-020380-050	3
C503,504	ELECT CAP 4.7 MFD/50V +-20% (5x11)	006-004000-50D	2
MISCELLANEOUS			
JK506	PIN JACK HSP-253V-14 (KUNMING)	118-020253-000	1
	RCA-314V-104 YEL,RED,WHT/BODY WHT		
RL504	⚠ RELAY 12V 200mW ME-1-12BS 1P2T SOLDERING LUG	128-120112-001	1
		137-300000-000	3
CPU SECTION			
RESISTORS [All are +-5% 1/16W (1/8W) tape & wheel resistors unless otherwise specified]			
R902,904	*CdF RESISTOR 100 ohm	001-010151-016	2
R901,903	*CdF RESISTOR 1 Kohm	001-010251-016	2
R301,302,303,304,306,307, 308,309,310,311,312,316, 318,319,321,322,323,325, 329,330,331,333,334,337, 338,339,343,344,345,350, 361,364,378,379,380,381, 382	*CdF RESISTOR 10 Kohm	001-010351-016	37
R348	*CdF RESISTOR 15 Kohm	001-015351-016	1
R340	RESISTOR 20 Kohm	001-020351-016	1
R305,905	*CdF RESISTOR 2.2 Kohm	001-022251-016	2
R341	*CdF RESISTOR 22 Kohm	001-022351-016	1
R911	RESISTOR 27 ohm +-5% 1/2W	001-027050-012	1
R332	*CdF RESISTOR 33 ohm	001-033051-016	1
R326,328,375,390,391	*CdF RESISTOR 4.7 Kohm	001-047251-016	5
R346,347	*CdF RESISTOR 47 Kohm	001-047351-016	2
R327,342	RESISTOR 5.6 Kohm	001-056251-016	2
R324	RESISTOR 8.2 Kohm	001-082251-016	1
CAPACITORS			
C302	CERAMIC CAP 0.02 uF/50V +80%-20%	003-020380-050	1
C318,319	CERAMIC CAP 470 pF/50V +-10% TAPING (B TYPE/4mm)	003-047110-051	2
C307,308	CERAMIC CAP 68 pF/50V +-10%	003-068010-050	2
C305,306	CERAMIC CAP 30 pF/50V +-5% (NPO) (CC45-CH1H300J/RBU04CH300J-L)	003-430050-050	2
C309	ELECT CAP 10 MFD/50V +-20%(5x11)	006-010000-50D	1
C315	ELECT CAP 22 MFD/25V +-20%(5x11)	006-022000-25D	1
C301	ELECT CAP 47000 MFD/5.5V DC +80-20% (STAR CAP) (SC-DA5R5 473 H)	006-747300-05C	1
TRANSISTORS			
Q301	TR NPNSST-&&&&&&&&& 3DG1417	008-601417-000	1
Q306,307	TRLNPNST-TAP&TO-092 3DG1815	008-618150-000	2
Q903,904	TRLNPNPWR-TAP&TO-092 3DA8050	008-680500-000	2
Q901,902	TRLNPNPWR-TAP&TO-092 3CA8550	008-685500-000	2
Q305	TR PNPGEN-TAP&SC-072 DTA123ESA (ROHM) (88-WA2-662-08)	008-800123-003	1

ELECTRICAL PARTS LIST - CONTINUED

Ref. No.	Description	Mfr's Part No.	Qty.
Q302	TR NPNSST-RAD&SC-072 DTC114ES (ROHM)	008-801141-000	1
INTEGRATED CIRCUITS			
IC301	ICMCU-48K-LCD TMP87EP26F-3D72 (ALDIAUS-DVD32) FLASH MCU	010-918726-000	1
DIODES			
D301,302,303,304	DIODE IN-4148 ROHM/TELEFUNKEN TAP**50 KEL(NS)(TAP:52mm)/NS(FAIRCHILD)/SEMTECH	011-004148-000	4
RESONATOR			
CX301	CERAMIC RESONATOR 8 MHz ZTA08.00MT (CQ)	020-000800-003	1
WIRES			
	FFC CABLE L=240mm P=1mm SEPH02-02121 24P-4+232+4-P1-CF/90 UL2896 0.035x0.7	040-240240-100	1
WH303	HSG (2.5mm) MOLEX 5264-06 TO JST 6P-SAN w/160mm R,BK,YEL,O,GR,BL AWG28#UL1007	136-JZ0616-000	1
MISCELLANEOUS			
WH302	HEADER CTL 4 PINS PHS-04 PITCH 2mm STRAIGHT TYPE WHT COLOR (MARKING:HR)	135-PHS040-040	1
WH803	HEADER CTL 5 PINS PHS-05 PITCH 2mm STRAIGHT TYPE WHT COLOR (MARKING:HR)	135-PHS050-050	1
WH301	*CdF HEADER CTL 6 PINS PHS-06 PITCH 2mm STRAIGHT TYPE WHT COLOR (MARKING:HR)	135-PHS060-060	1
WH304	HEADER CTL 10 PINS PHS-10 PITCH 2mm STRAIGHT TYPE WHT COLOR (MARKING:HR)	135-PHS100-100	1
FAN SECTION			
RESISTORS [All are +-5% 1/16W (1/8W) tape & wheel resistors unless otherwise specified]			
R854	*CdF RESISTOR 10 ohm	001-010051-016	1
R852,857,855,863,864,865	*CdF RESISTOR 100 Kohm	001-010451-016	6
R859,860,861	*CdF RESISTOR 3.3 Kohm	001-033251-016	3
R853,856	*CdF RESISTOR 4.7 Kohm	001-047251-016	2
R851	RESISTOR 68 ohm	001-068051-016	1
CAPACITORS			
C856	ELECT CAP 2.2 MFD/50V +-20% (5x11)	006-002000-50D	1
C851,852,853,854,855,857, 858	ELECT CAP 10 MFD/50V +-20% (5x11)	006-010000-50D	7
C859	ELECT CAP 100 MFD/16V +-20% (5x11)	006-010100-16D	1
TRANSISTORS			
Q852	TRLNPNSST-TAP&TO-092 3DG1815	008-618150-000	1
Q851	TRLPNPPWR-TAP&TO-092 3CA8550	008-685500-000	1
DIODES			
D851,852,853,854,855,856	DIODE IN-4148 ROHM/TELEFUNKEN TAP**50 KEL(NS)(TAP:52mm)/NS(FAIRCHILD)/SEMTECH	011-004148-000	6
INDUCTOR			
L101	INDUCTOR 47 uH CEC-470K/708032 +-10% LAL03TB470K/AL0305-470K	018-010476-000	1
WIRES			
WH851	*CdF HSG CD170-2A JST PHR 2mm w/110mm BLK,RED JP WIRE AWG28#1095 SLDG.5mm	136-020170-200	1
WH853	HSG (2mm) JST PHR-03 w/90mm RED,BLK,WHT AWG28#UL1571 SLDG.5mm	136-F00309-000	1
MISCELLANEOUS			
WH853	COOLING FAN DC9V 0.14A DC BRUSHLESS #5010H12S NF1 50x50x10mm HEADER 3 PINS PEC #2001-WS-3 PITCH 2mm VERTICAL REPLACE:135-PHS030-030	100-090009-000 135-2001WS-030	1 1

ELECTRICAL PARTS LIST - CONTINUED

Ref. No.	Description	Mfr's Part No.	Qty.
FRONT PANEL SECTION			
RESISTORS [All are +-5% 1/16W (1/8W) tape & wheel resistors unless otherwise specified]			
R376	*CdF RESISTOR 1 Kohm	001-010251-016	1
R370,372,374,377	RESISTOR 1.2 Kohm	001-012251-016	4
R354	*CdF RESISTOR 1.5K	001-015251-016	1
R373	*CdF RESISTOR 220 ohm	001-022151-016	1
R353	*CdF RESISTOR 22 Kohm	001-022351-016	1
R355,356	*CdF RESISTOR 3.3 Kohm	001-033251-016	2
R358	RESISTOR 43 Kohm	001-043351-016	1
R352	*CdF RESISTOR 4.7 Kohm	001-047251-016	1
R351	*CdF RESISTOR 47 Kohm	001-047351-016	1
R357	RESISTOR 5.6 Kohm	001-056251-016	1
R822,824	*CdF RESISTOR 10 ohm	001-010051-016	2
R811,828,906	*CdF RESISTOR 1 Kohm	001-010251-016	3
R805,807,808,812,814,817, 818,830,843,847,848,849	*CdF RESISTOR 10 Kohm	001-010351-016	12
R820	*CdF RESISTOR 100 Kohm	001-010451-016	1
R802,815,845	*CdF RESISTOR 220 ohm	001-022151-016	3
R803,813,831	*CdF RESISTOR 22 Kohm	001-022351-016	3
R836,837	RESISTOR 2.7 Kohm +-5% 1/4W	001-027250-014	2
R806,821,823	*CdF RESISTOR 33 ohm	001-033051-016	3
R829	*CdF RESISTOR 3.3 Kohm	001-033251-016	1
R804,816	*CdF RESISTOR 470 ohm	001-047151-016	2
R801,819,846,850,851	*CdF RESISTOR 4.7 Kohm	001-047251-016	5
R809	RESISTOR 5.6 Kohm	001-056251-016	1
R810	RESISTOR 680 ohm	001-068151-016	1
CAPACITORS			
LED302,304,306,307	(F003-010380-025) CERAMIC CAP 0.01 uF/ 50V +80%-20%	003-010380-050	4
C310	ELECT CAP 47 MFD/10V +-20% (SMALL SIZE) (5x7)	006-147000-10D	1
SWITCHES			
SW301,302,303,304,305, 306,307	*CdF TACT SWITCH 4P 4.3mm 100G #1102-4 (=021-008300-000)	021-110200-001	7
C805,806,807,808,818,821, 829,831,833,835,837,845	CERAMIC CAP 0.02 uF/50V +80%-20%	003-020380-050	12
C827,840,843,844,848,850, 860	ELECT CAP 10 MFD/50V +-20% (5x11)	006-010000-50D	7
C817,836	ELECT CAP 100 MFD/16V +-20% (5x11)	006-010100-16D	2
C813,865	ELECT CAP 100 MFD/35V +-20% (8x11.5)	006-010100-35D	2
C855	ELECT CAP 1000 MFD/10V +-20% (10x16)	006-010200-10D	1
C820,832,839	ELECT CAP 220 MFD/16V +-20% (8x11.5)	006-022100-16D	3
C834	ELECT CAP 220 MFD/25V +-20% (8x11.5)	006-022100-25D	1
C830	ELECT CAP 2200 MFD/10V +-20% (VX/12.5x20)	006-022200-10C	1
C809,825	ELECT CAP 2200 MFD/16V +-20% (12.5x25)	006-022200-16D	2
C811	ELECT CAP 3300 MFD/25V +-20% (16x31.5)	006-033200-25D	1
C841	ELECT CAP 3300 MFD/50V +-20% (20x40)	006-033200-50D	1
C819,847	*CdF ELECT CAP 47 MFD/16V +-20% (5x11)	006-047000-16D	2
C828,838,846,849	ELECT CAP 470 MFD/10V +-20% (8x11.5)	006-047100-10D	4
TRANSISTORS			
Q806,814	TRANSISTOR B1566E (LIGHTNING)	008-201566-100	2
Q807,815	TRLNPNSST-TAP&TO-092 3CG1015	008-610150-000	2
Q801,805,813	TRLNPNSST-TAP&TO-092 3DG1815	008-618150-000	3
Q808	TRLNPNPWR-TAP&TO-092 3DA8050	008-680500-000	1
Q809	TRLPNPPWR-TAP&TO-092 3CA8550	008-685500-000	1

ELECTRICAL PARTS LIST - CONTINUED

Ref. No.	Description	Mfr's Part No.	Qty.
Q804,810	TR PNPGEN-TAP&SC-072 DTA123ESA (ROHM) (88-WA2-662-08)	008-800123-003	2
Q802,803,811	TR NPNSST-RAD&SC-072 DTC114ES (ROHM)	008-801141-000	3
INTEGRATED CIRCUITS			
IC801	(F010-207805-001) TR &&&VOL-REG&TO-092 LM78L05ACZ 5V VOLTAGE REGULATOR	008-V07805-000	1
IC802,803	ICREGULA-P-005V001A BA05ST (ROHM)	010-400005-002	2
DIODES			
D810,811,815,816,817,818, 821,822,823,831	DIODE IN-4148 ROHM/TELEFUNKEN TAP**50 KEL(NS)(TAP:52mm)/NS(FAIRCHILD)/SEMTECH	011-004148-000	10
DZ807	ZENER DIODE 6.2V #MTZJ6.2C	011-010062-005	1
DZ803,804,806	ZENER DIODE 10V #MTZJ10D 1/2W (ROHM)	011-010100-122	3
D801	BRIDGE RECTIFIER RS201 SINGLE PHASE 2.0 AMP/RS201(DC)	011-020201-000	1
D825	BRIDGE RECTIFIER RS602(GOODWORK)/ RS602(DC)	011-020602-001	1
D809,819,820,824,832	RECTIFIER IN-4001B/IN-4001(DC)	011-024001-000	5
D805,806,807,808	RECTIFIER IN5822/IN5822(DC)	011-025822-000	4
INDUCTORS			
L801,802,803,804	INDUCTOR 3.3 uH WIRE:D=0.6mm +-20% (R0002-CW68-3R3M-852243)/+-10%(RL6080-3R3K)	018-010337-300	4
L805	INDUCTOR 47 uH CEC-470K/708032 +-10% LAL03TB470K/AL0305-470K	018-010476-000	1
WIRES			
WH810	HSG CD868-4A(C) PEC 2001H-4 w/70mm RED,BLK,WHT,YEL AWG26#UL1007 SLDG.5mm	136-040868-B00	1
WH301	HSG CD189-55-6B(C)PEC 2001H-6 w/180mm R,BK,BL,W,O,Y AWG30#UL1571 SL.3mm (CdF)	136-060189-B01	1
WH859	HSG 2CD9-5A (REV) JST-PHR 5PIN TO 5PIN JST-SAN w/80mm W,BKx4 JP WIRE AWG30#1571	136-057238-201	1
WH807	HSG (2.5mm) PEC 2507H-08 TO PEC 2501H-08 w/260mm BLUE,GREYx7 AWG26#UL1007	136-J10826-000	1
WH801	HSG (2.5mm) PEC 2507H-09 TO 2501H-09 w/220mm RED,GREYx8 AWG24#UL1007	136-J10922-000	1
MISCELLANEOUS			
LED308	LED-B-3MM&-S-&&&-&&& W03317BSW-W13mm BLUE SUPER BRIGHT (MILKY)	110-033172-003	1
LED302,304,306,307	LED-B-2x5&-S-&&&-&&& W25319BSC-BKL 2x5mm SUPER BRIGHT BLUE (WAITRONY)	110-253192-205	4
SR301	REMOTE CONTROL PHOTO RECEIVER RPM7138 (ROHM)	111-007138-001	1
	LCD-P-08D-8716SM040P 87x16x2.7mm JT4-03061/SDT-DA275-TP-1 TRANS./POSITIVE	112-003061-000	1
	⚠ PT1.5WEI28/12&F&WVDE 230V:12.8V w/FUSE 115°C (P2812-A15E)	123-053531-100	1
	⚠ PT090WEI66/62&G&WVDE 230V:29V/8V/13V/ 23V w/FUSE 130°C (L6662-P04E)	123-E53521-400	1
FS801	⚠ MICRO FUSE #251.630 630mA/125V WFF-215.630	124-006310-000	1
FS802,803	⚠ *CdF FUSE #218002 2A/250V 5x20mm TIME LAG (CUL/VDE/SEMKO/BSI/CCC/JIS/KOR)	124-020020-001	2
FS804	⚠ FUSE #21806.3 6.3A/250V 5x20mm TIME LAG (CUL/SEMKO/VDE/BSI/CCC/JIS/KOR)	124-063020-001	1
	⚠ PLA-ULN-7'05"-VDE-MG VDE APP. CORD 2250mm w/CUSHION MIGRATION (HARVEST)	134-B11331-006	1

ELECTRICAL PARTS LIST - CONTINUED

Ref. No.	Description	Mfr's Part No.	Qty.
RL801	⚠ RELAY 9V SDT-S-109LMR	128-090109-000	1
CN803	HEADER 2 PINS #TJ6-2A PITCH:3.96mm VERTICAL 1.14mm AQUIRE PIN	135-000TJ6-020	1
CN802	PIN HEADER 2 PINS TJ6-02P3 PITCH:7.92mm VERTICAL 1.14mm SQUARE PIN	135-00TJC6-020	1
WH802	HEADER 6 PINS PEC #2507-WS-6 PITCH 2.5mm VERTICAL REPLACE:135-005267-060	135-2507WS-060	1
WH805	HEADER 8 PINS PEC #2507-WS-8 PITCH 2.5mm VERTICAL REPLACE:135-005267-080	135-2507WS-080	1
WH809	HEADER CTL 2 PINS PHS-02 P:2mm STRAIGHT TYPE WHT COLOR (MARKING:HR) (CdF)	135-PHS020-020	1
WH808	HEADER CTL 5 PINS PHS-05 PITCH 2mm STRAIGHT TYPE WHT COLOR (MARKING:HR)	135-PHS050-050	1
MPEG+SERVO SECTION			
RESISTORS			
R2,3,26,27,36,44,67,176, 178,187, RT204,209,210, 212,213,214,215, FB21,23, 25,26	CHIP RESISTOR 0 ohm +-5% 1/16W (0603/1608)	001-300052-016	21
R166,167	CHIP RESISTOR 10 ohm +-5% 1/10W (0805/2012) (MCR10EZJH-100)	001-310050-010	2
R78,149,155	CHIP RESISTOR 10 ohm +-5% 1/16W (0603/1608)	001-310052-016	3
R10,47,48,151,154,197	CHIP RESISTOR 1 Kohm +-5% 1/16W (0603/1608)	001-310252-016	6
R150,153,168	CHIP RESISTOR 10 Kohm +-1% 1/16W (0603/1608)	001-310312-016	3
R16,49,131,174,192,195	CHIP RESISTOR 10 Kohm +-5% 1/16W (0603/1608)	001-310352-016	6
R116,128,130,198	CHIP RESISTOR 100 Kohm +-5% 1/16W (0603/1608)	001-310452-016	4
R28,179,189	CHIP RESISTOR 1 Mohm +-5% 1/16W (0603/1608)	001-310552-016	3
R6,7,8,9	CHIP RESISTOR 1 ohm +-5% 1/16W (0603/1608)	001-310852-016	4
R29,30,69,157	CHIP RESISTOR 11 Kohm +-5% 1/16W (0603/1608)	001-311352-016	4
R135	CHIP RESISTOR 12 Kohm +-1% 1/16W (0603/1608)	001-312312-016	1
R72,84,95,106,117	CHIP RESISTOR 12 Kohm +-5% 1/16W (0603/1608)	001-312352-016	5
R140,141,142	CHIP RESISTOR 1.3 Kohm +-5% 1/16W (0603/1608)	001-313252-016	3
R139,143	CHIP RESISTOR 13 Kohm +-1% 1/16W	001-313312-016	2
R191,194	CHIP RESISTOR 1.5 Kohm +-5% 1/16W (0603/1608)	001-315252-016	2
R56,59	CHIP RESISTOR 180 ohm +-5% 1/16W (0603/1608)	001-318152-016	2
R146	CHIP RESISTOR 1.8 Mohm +-5% 1/16W (0603/1608)	001-318552-016	1
R74,86,98,108,119,133,170	CHIP RESISTOR 2 Kohm +-5% 1/16W (0603/1608)	001-320252-016	7
R57,58	CHIP RESISTOR 20 Kohm +-5% 1/16W (0603/1608)	001-320352-016	2
R62,63,71,83,94,102,111, 125	CHIP RESISTOR 220 ohm +-5% 1/16W (0603/1608)	001-322152-016	8
R68	CHIP RESISTOR 2.2 Kohm +-5% 1/16W (0603/1608)	001-322252-016	1
R61,190,193	CHIP RESISTOR 22 Kohm +-5% 1/16W (0603/1608)	001-322352-016	3
R199	CHIP RESISTOR 2.4 Kohm +-5% 1/16W (0603/1608)	001-324252-016	1
R147	CHIP RESISTOR 27 Kohm +-1% 1/16W (0603/1608)	001-327312-016	1
R52,54	CHIP RESISTOR 27 Kohm +-5% 1/16W (0603/1608)	001-327352-016	2
R70,82,88,101,110	CHIP RESISTOR 30 Kohm +-5% 1/16W (0603/1608)	001-330352-016	5
R33,34,35,55,180,181,182, 183,184,185,188	CHIP RESISTOR 33 ohm +-5% 1/16W (0603/1608)	001-333052-016	11
R64,134	CHIP RESISTOR 330 ohm +-5% 1/16W (0603/1608)	001-333152-016	2
R73,85,96,107,118,132	CHIP RESISTOR 3.3 Kohm +-5% 1/16W (0603/1608)	001-333252-016	6
R123	CHIP RESISTOR 33 Kohm +-5% 1/16W (0603/1608)	001-333352-016	1
R15	CHIP RESISTOR 392 ohm +-1% 1/16W (0603/1608)	001-339112-016	1
R144,148	CHIP RESISTOR 470 ohm +-1% 1/16W (0603/1608)	001-347112-016	2
R1,65	CHIP RESISTOR 470 ohm +-5% 1/16W (0603/1608)	001-347152-016	2

ELECTRICAL PARTS LIST - CONTINUED

Ref. No.	Description	Mfr's Part No.	Qty.
R21,24,38,39,40,43,45,46,136,137,138,145,152,156,160,161,162,163,165,169,177,178	CHIP RESISTOR 4.7 Kohm +-5% 1/16W (0603/1608)	001-347252-016	22
R51	CHIP RESISTOR 470 Kohm +-5% 1/16W (0603/1608)	001-347452-016	1
R23,60	CHIP RESISTOR 51 Kohm +-5% 1/16W (0603/1608)	001-351352-016	2
R158,159,164,171,173,175	CHIP RESISTOR 5.6 Kohm +-5% 1/16W (0603/1608)	001-356252-016	6
R50	CHIP RESISTOR 68 ohm +-5% 1/16W (0603/1608) (TSB#G5101100Y101)	001-368052-016	1
R31,32	CHIP RESISTOR 6.8 Kohm +-5% 1/16W (0603/1608)	001-368252-016	2
R17,18,19,20	CHIP RESISTOR 75 ohm +-1% 1/16W (0603/1608) (TSB#G5101104G105)	001-375012-016	4
R66	CHIP RESISTOR 91 ohm +-5% 1/16W (0603/1608)	001-391052-016	1
CAPACITORS			
C20,21,41,42,43,55,56,154	CHIP CAP 0.001 uF/25V +-10% (0603/1608) (GRM39B102K50) (MURATA)	003-510212-025	8
C18,19,35,36,37,38,40,53,60,61,107,110,111	CHIP CAP 0.01 uF/25V +-10% (0603/1608) (MCH185C103KK/GRM39X7R103K25PT)	003-510312-025	13
C1,4,5,6,7,9,10,14,15,16,17,16,17,22,23,24,25,26,27,28,29,30,31,34,39,46,47,48,49,50,51,52,57,58,59,62,64,65,66,67,68,70,74,75,76,77,78,79,83,81,85,87,93,94,95,96,97,98,99,100,104,105,108,112,116,118,125,130,163,164,172,173,175,177,189,190,191,192,193,194,196,197,198	CHIP CAP 0.1 uF/16V +-10% (0603/1608) (87-A10-260-08G) (C1608JB1C104K) (TDK)	003-510412-016	81
C91,103,109,115,122,129,157,158,159,161	CHIP CAP 0.0022 uF/50V +-10% (0603/1608) (UMK107B222KZ-TM)	003-522212-050	10
C44,45	CHIP CAP 0.027 uF/25V +-10% (0603/1608)	003-527312-025	2
C127,146,170	CHIP CAP 0.033 uF/25V +-10% (0603/1608)	003-533312-025	3
C2	CHIP CAP 0.33 uF/10V +-10% (0603/1608)	003-533412-010	1
C145,147,148,150,151,152,153	CHIP CAP 0.0047 uF/50V +-10% (0603/1608)	003-547212-050	7
C165,166,167	CHIP CAP 0.0056 uF/50V +-10% (0603/1608)	003-556212-050	3
C169	CHIP CAP 0.0068 uF/50V +-10% (0603/1608)	003-568212-050	1
C63,86	(F003-610112-050) CHIP CAP 100 pF/50V +-5% NPO (0603/1608)	003-610152-050	2
C131,132,133,134	CHIP CAP 11 pF/50V +-5% NPO (0603/1608) (MCH185A110JK)	003-611052-050	4
C88,101,106,113,119,135,137,139,141	CHIP CAP 150 pF/50V +-5% NPO (0603/1608) (GRM39COG151J50PT/MCH185A151JK)	003-615152-050	9
C136,138,140,142	CHIP CAP 160 pF/50V +-5% NPO (0603/1608) (MCH185A161JK)	003-616152-050	4
C13,171,180,187	CHIP CAP 220 pF/50V +-5% NPO (0603/1608) (UMK107CH221JZ-T)	003-622152-050	4
C11,12	CHIP CAP 24 pF/50V +-5% NPO (0603/1608)	003-624052-050	2
C162	CHIP CAP 33 pF/50V +-5% NPO (0603/1608) (GRM39COG330J50PT/MCH185A330JK)	003-633052-050	1
C160	CHIP CAP 470 pF/50V +-5% NPO (0603/1608)	003-647152-050	1
C168	CHIP CAP 560 pF/50V +-5% NPO (0603/1608)	003-656152-050	1
CE23,25	ELECT CAP 0.47 MFD/50V +-20% (5x11)	006-000400-50D	2

ELECTRICAL PARTS LIST - CONTINUED

Ref. No.	Description	Mfr's Part No.	Qty.
CE9,22,24,26,27,28,29,30,31,32,33,34,35,36,37	ELECT CAP 10 MFD/50V +-20% (5x11)	006-010000-50D	15
CE7,8,19,42,43,45,46,56,58	ELECT CAP 100 MFD/16V +-20% (5x11)	006-010100-16D	9
CE3,4,6,44,47,52,53,54,55,60,64,65	ELECT CAP 22 MFD/25V +-20% (5x11)	006-022000-25D	12
CE20	ELECT CAP 220 MFD/16V +-20% (6.3x11) (SA16V221M)	006-022101-16D	1
CE10,11,12,13,14,21,48,50,51,57,59,61,62,63,66	*CdF ELECT CAP 47 MFD/16V +-20% (5x11)	006-047000-16D	15
CE1,2	ELECT CAP 470 MFD/10V +-20% (8x11.5)	006-047100-10D	2
CE18	ELECT CAP 100 MFD/6.3V +-20% (SMALL SIZE) (5x7)	006-210100-06D	1
TRANSISTORS			
Q17	TR PNP&&-TAP&8Q-ST8 TSMT6 QST8 LOW FREQ AMP	008-A00006-000	1
Q1,2,3,5,6,7,11,12,16	(F008-039040-000) CHIP TRANSISTOR MMBT3904	008-A03904-000	9
Q8,15	(F008-039060-000) CHIP TRANSISTOR MMBT3906	008-A03906-000	2
CRYSTAL			
Y1	CRYSTAL 27MHZ +-30ppm ALCCBJB/HC-49/U	009-627000-007	1
INTEGRATED CIRCUITS			
U10	ICSPECIAL WM8772EDS (28 PIN SSOP)	010-038772-000	1
U15	ICMOTORDRIVER-04CH BA5983FM (ROHM)	010-405983-000	1
U19	ICREGULA-P-&&&&&A LD1117S/LM117MPX-ADJ RT9164CG(SOT-223)(ST/NATIONAL/RICHTEK)	010-721117-000	1
U17,18	ICREGULA-P-3.3V LD1117S33C/LM117MPX-3.3/MP-3.3/RT9164-33CG (ST/NATIONAL/RICHTEK)	010-721117-001	2
U11,12,13	ICAMP-OP-02CH-DUALV LS4580F (SOP-8)	010-734580-000	3
U1	ICAMP-OP-&&CH-SINGV TL3472CD/R	010-823472-000	1
U9	ICLOGIC TC74HCU04AF-EL HEX INVERTER (TSB#G51451014108)	010-847404-001	1
U14	ICSPECIAL ZR36707TQC	010-893670-003	1
U2	ICMPEG ZR36768PQC	010-893676-000	1
DIODES			
D1,2,3,4	RECTIFIER IN-4001B/IN-4001(DC)	011-024001-000	4
D7,8,11,12,13,14,15,16,17,18	CHIP DIODE (SMT) DL4148(DC)/LS4148(KT)	011-044148-002	10
INDUCTORS			
L2,3,4,5	CHIP COIL 1.1 uH +-10% SDFL1608Q1R1KT/ZHFCI1608B1R1KT (0603/1608) (TAPE & REEL)	018-040117-200	4
L1	C.COIL 2.7 uH +-10% TAPE&REEL LK2125 2R7K-T/CI201209-2R7K/SDFL2012Q2R7KT	018-040277-001	1
FB30,33	CHIP FERRITE BEAD #SZ1005K750T @100MHZ (1005) (SUNLORD)	032-101005-000	2
FB1,2,3,4,5,6,7,8,9,10,11,12,13,14,16,17	CHIP FERRITE BEAD GZ1608Y102T (0603/1608) (SUNLORD)	032-101608-015	16
FB15,18,19,22,27,28,29,31,32,36,38,39,40,41,42,44,45,46,47	CHIP FERRITE BEAD PZ2012U601-1R5T (0805/2012) (SUNLORD)	032-102012-002	19
INTEGRATED CIRCUITS			
U5	ICRAMF-01X008M 8M BIT(512Kx16) FLASH RAM SST39VF800A-70-4C-EK (0.25u)	045-F01008-202	1
U3,4	ICRAMS-01x016M W981616BH-7	045-Q01016-205	2
MISCELLANEOUS			
J3	*CdF HEADER MOLEX 6 PINS 5267-06A PITCH 2.5mm STRAIGHT TYPE	135-005267-060	1

ELECTRICAL PARTS LIST - CONTINUED

Ref. No.	Description	Mfr's Part No.	Qty.
J5	FFC CONNECTOR 24 PINS PITCH:1mm 9615S-24A-PP-A/D100-SSA-24/S10024V VERT.	135-009615-240	1
J1	FFC CONNECTOR 24 PINS PITCH:1mm LG BRAND GF106-24S-LS/9615S-24C-PP HORIZONTAL	135-0GF106-240	1
J9	HEADER 9 PINS PEC #2507-WS-9 PITCH 2.5mm VERTICAL REPLACE:135-005267-090	135-2507WS-090	1
J4	*CdF HEADER CTL 6 PINS PHS-06 PITCH 2mm STRAIGHT TYPE WHT COLOR (MARKING:HR)	135-PHS060-060	1
RDS SECTION			
RESISTORS			
R458	CHIP RESISTOR 1 Kohm +-5% 1/16W (0603/1608)	001-310252-016	1
R472	CHIP RESISTOR 18 Kohm +-5% 1/16W (0603/1608)	001-318352-016	1
R454,456	CHIP RESISTOR 2.2 Kohm +-5% 1/16W (0603/1608)	001-322252-016	2
R457	CHIP RESISTOR 330 Kohm +-5% 1/16W (0603/1608)	001-333452-016	1
R455	CHIP RESISTOR 470 Kohm +-5% 1/16W (0603/1608)	001-347452-016	1
R453	CHIP RESISTOR 560 ohm +-5% 1/16W (0603/1608)	001-356152-016	1
CAPACITORS			
C459	CHIP CAP 0.1 uF/16V +-10% (0603/1608) (87-A10-260-08G) (C1608JB1C104K) (TDK)	003-510412-016	1
C454	CHIP CAP 0.0022 uF/50V +-10% (0603/1608) (UMK107B222KZ-TM)	003-522212-050	1
C452,453	CHIP CAP 0.022 uF/25V +-10% (0603/1608) (MCH182C223KK/GRM39X7R223K25PT)	003-522312-025	2
C456	CHIP CAP 0.047 uF/25V +-10% (0603/1608)	003-547312-025	1
C460	CHIP CAP 560 pF/50V +-10% (0603/1608)	003-556112-050	1
C457,458	CHIP CAP 33 pF/50V +-5% NPO (0603/1608) (GRM39COG330J50PT/MCH185A330JK)	003-633052-050	2
C461	ELECT CAP 2.2 MFD/50V +-20% (5x11)	006-002000-50D	1
C451	ELECT CAP 100 MFD/10V +-20% (5x11)	006-010100-10D	1
TRANSISTORS			
Q412,413	TR NPNSST-RAD&SC-059 2SC2712GR (CHIP) (89-327-125-08)	008-A02712-000	2
CRYSTAL			
CX402	CRYSTAL 4.332 MHz CSA309 CL=16pF CITIZEN (87-A70-091-01G)	009-604332-000	1
INTEGRATED CIRCUITS			
IC403	ICRDS DECODER BU1924F (ROHM)	010-351924-000	1
DIODE			
DZ402	ZENER IN-5231B, HZ5C1, 5.1V, 1/2W	011-010051-120	1
INDUCTOR			
L402	*CdF INDUCTOR 100 uH /1128/CEC-101K +-10% LAL03 TB 101K	018-010014-000	1
SCART SECTION			
RESISTORS [All are +-5% 1/16W (1/8W) tape & wheel resistors unless otherwise specified]			
R715	*CdF RESISTOR 100 ohm	001-010151-016	1
R717,718,720	*CdF RESISTOR 10 Kohm	001-010351-016	3
R702,703	*CdF RESISTOR 12 Kohm	001-012351-016	2
R701,706,722	RESISTOR 2.7 Kohm	001-027251-016	3
R721	*CdF RESISTOR 3.3 Kohm	001-033251-016	1
R708,709	*CdF RESISTOR 33 Kohm	001-033351-016	2
R710,711,712,707,719	*CdF RESISTOR 4.7 Kohm	001-047251-016	5
CAPACITORS			
C701,702	ELECT CAP 0.22 MFD/50V +-20% (VX/5x11)	006-000200-50C	2
C703,704	ELECT CAP 10 MFD/50V +-20% (5x11)	006-010000-50D	2

ELECTRICAL PARTS LIST - CONTINUED

Ref. No.	Description	Mfr's Part No.	Qty.
C711,712	ELECT CAP 100 MFD/16V +-20% (5x11)	006-010100-16D	2
TRANSISTORS			
Q701,702,708,709	TR NPNGEN-BUL&TO-092 3DG9014 (9014)	008-609014-000	4
INDUCTORS			
FB701,702,703,704,705, 706,707	FERRITE BEAD INDUCTOR #PI0243NL R6H 5x3.6	032-100243-000	7
WIRE			
	FFC CABLE 22 PINS L=158mm 4+150+4 P:1mm UL2896 0.035x0.7	040-220158-100	1
MISCELLANEOUS			
WH702, J11	FFC CONN 6232 22 PINS w/o LOCK PITCH:1mm 00 6232 022 006 800 VERTICAL TYPE	135-006232-220	2
JK701	RGB CONNECTOR SOCKET 21 PINS HRC-021V-07(KUNMING)/MRC-021V-04(HONDA)	135-HRC021-210	1
DVD MECHANISM - (STSD-010SMT)			
SWITCH			
	LEAF SWITCH LS-121-0A (LUP FUNG)	022-001210-001	1
WIRES			
	HSG (2mm) JST PHR-05 TO PHR-05 w/258mm BR, RED,ORN,YEL,GN AWG28#UL1095	136-F00525-800	1
	HSG (2mm) JST PHR-06 TO PHR-06 w/188mm BR, RED,ORN,YEL,GN,BL AWG28#UL1095	136-F00618-800	1
	CONN PIN 3 PINS (3.5+58+3.5) PITCH 2mm UL AWG26#2651	050-030065-200	1
MISCELLANEOUS			
CN1	DVD-FLC-01-SAMG-N DVD MECHANISM FOR CD-R CMS-S21MG6 (SAMSUNG) (F135-2001WR-051) HEADER 5 PINS #A2001WR2-05/2001-WR-5 P:2mm HORIZONTAL MOTOR-DC-006V-NORMAL 6V #RF-500TB-12560 (MABUCHI) 10gm (VA TYPE MOTOR)	163-000216-000 135-2001WR-050 151-061256-002	1 1 1
TUNER SECTION			
RESISTORS [All are +-5% 1/16W (1/8W) tape & wheel resistors unless otherwise specified]			
R531,532,610	*CdF RESISTOR 1 Kohm	001-010251-016	3
R523,524,533,534,541,690, 695	*CdF RESISTOR 10 Kohm	001-010351-016	7
R646,647	*CdF RESISTOR 150 ohm	001-015151-016	2
R539	*CdF RESISTOR 15 Kohm	001-015351-016	1
R535,536	RESISTOR 2 Kohm	001-020251-016	2
R517,518	*CdF RESISTOR 2.2 Kohm	001-022251-016	2
R519,520,658,659	*CdF RESISTOR 22 Kohm	001-022351-016	4
R525,526	RESISTOR 220 Kohm	001-022451-016	2
R527,528	*CdF RESISTOR 3.3 Kohm	001-033251-016	2
R907,908	*CdF RESISTOR 33 Kohm	001-033351-016	2
R529,530	*CdF RESISTOR 4.7 Kohm	001-047251-016	2
R538,560,563	*CdF RESISTOR 47 Kohm	001-047351-016	3
R537,540	RESISTOR 68K	001-068351-016	2
JP403,404,405,406,407, 408,409,421,423,425	CHIP RESISTOR 0 ohm +-5% 1/16W (0603/1608)	001-300052-016	10
R415,430,431	CHIP RESISTOR 100 ohm +-5% 1/16W (0603/1608)	001-310152-016	3
R401,410,443,444,445,459, 465	CHIP RESISTOR 1 Kohm +-5% 1/16W (0603/1608)	001-310252-016	7
R451,461,409	CHIP RESISTOR 10 Kohm +-5% 1/16W (0603/1608)	001-310352-016	3
R402,403,435,448	CHIP RESISTOR 100 Kohm +-5% 1/16W (0603/1608)	001-310452-016	4

ELECTRICAL PARTS LIST - CONTINUED

Ref. No.	Description	Mfr's Part No.	Qty.
R420	CHIP RESISTOR 12 Kohm +-5% 1/16W (0603/1608)	001-312352-016	1
R467	CHIP RESISTOR 15 ohm +-5% 1/16W (0603/1608)	001-315052-016	1
R426,427	CHIP RESISTOR 1.5 Kohm +-5% 1/16W	001-315252-016	2
R421,442	CHIP RESISTOR 18 Kohm +-5% 1/16W (0603/1608)	001-318352-016	2
R406,416	CHIP RESISTOR 220 ohm +-5% 1/16W (0603/1608)	001-322152-016	2
R405,422,438	CHIP RESISTOR 2.2 Kohm +-5% 1/16W (0603/1608)	001-322252-016	3
R413,417,423	CHIP RESISTOR 22 Kohm +-5% 1/16W (0603/1608)	001-322352-016	3
R418	CHIP RESISTOR 2.7 Kohm +-5% 1/16W (0603/1608)	001-327252-016	1
R411,419,424,425,452	CHIP RESISTOR 3.3 Kohm +-5% 1/16W (0603/1608)	001-333252-016	5
R404,407	CHIP RESISTOR 47 ohm +-5% 1/16W (0603/1608)	001-347052-016	2
R408	CHIP RESISTOR 470 ohm +-5% 1/16W (0603/1608)	001-347152-016	1
R436,447	CHIP RESISTOR 4.7 Kohm +-5% 1/16W (0603/1608)	001-347252-016	2
R446	CHIP RESISTOR 47 Kohm +-5% 1/16W (0603/1608) (MCR03EZHZ-473)	001-347352-016	1
R414	CHIP RESISTOR 56 ohm +-5% 1/16W (0603/1608)	001-356052-016	1
R437	CHIP RESISTOR 560 ohm +-5% 1/16W (0603/1608)	001-356152-016	1
R428,429,460	CHIP RESISTOR 5.6 Kohm +-5% 1/16W (0603/1608)	001-356252-016	3
R412	CHIP RESISTOR 680 ohm +-5% 1/16W (0603/1608)	001-368152-016	1
R466	CHIP RESISTOR 8.2 Kohm +-5% 1/16W (0603/1608)	001-382252-016	1
CAPACITORS			
C511,512	CERAMIC CAP 100 pF/50V +-10%	003-010110-050	2
C421	CHIP CAP 0.001 uF/50V +-10% (0603/1608) (MCH185C102KK/GRM39X7R102K50PT)	003-510212-050	1
C403,404,409,410,415	CHIP CAP 0.01 uF/50V +-10% (0603/1608) (GRM39B103K50PT)	003-510312-050	5
C418,427,436	CHIP CAP 0.1 uF/16V +-10% (0603/1608) (87-A10-260-08G) (C1608JB1C104K) (TDK)	003-510412-016	3
C422,428,429,432,433	CHIP CAP 0.015 pF/50V +-10% (0603/1608)	003-515312-050	5
C438	CHIP CAP 0.0022 uF/50V +-10% (0603/1608) (UMK107B222KZ-TM)	003-522212-050	1
C402,405,411,414,439,441,444,466	CHIP CAP 0.022 uF/50V +-10% (0603/1608)	003-522312-050	8
C473,476	CHIP CAP 0.0047 uF/50V +-10% (0603/1608)	003-547212-050	2
C406	CHIP CAP 0.047 uF/25V +-10% (0603/1608)	003-547312-025	1
C423	CHIP CAP 0.47 uF/10V +-10% (0603/1608) (LMK107BL474KA-T)	003-547412-010	1
C424	(F003-556382-016) CHIP CAP 0.056 uF/16V +-10 (0603/1608)	003-556312-016	1
C420,448,449	(F003-610112-050) CHIP CAP 100 pF/50V +-5% NPO (0603/1608)	003-610152-050	3
C413	CHIP CAP 15 pF/50V +-5% NPO (0603/1608) (UMK107CH150JZ-TM)	003-615052-050	1
C446,447	CHIP CAP 24 pF/50V +-5% NPO (0603/1608)	003-624052-050	2
C475	(F003-527012-050) CHIP CAP 27 pF/50V +-5% NPO (0603/1608) (UMK107CH270JZ-TM)	003-627052-050	1
C523,524	#MYLAR CAP 0.033 uF/100V +-5%	004-033350-100	2
C412	POLY CAP 350 pF/100V +-5% (RADIAL TYPE) (1A351J/MILOSONIC) (PSR351J/HONJU)	005-035100-100	1
C425	*CdF ELECT CAP 0.47 MFD/50V +-20% (VX/5x11)	006-000400-50C	1
C426	*CdF ELECT CAP 1 MFD/50V +-20% (VX/5x11)	006-001000-50C	1
C467,468,505,506,521,522	ELECT CAP 0.47 MFD/50V +-20% (5x11)	006-000400-50D	6
C417,430,431,517,518,867,868,869,870,871,872,873,874	ELECT CAP 1 MFD/50V +-20% (5x11)	006-001000-50D	13

ELECTRICAL PARTS LIST - CONTINUED

Ref. No.	Description	Mfr's Part No.	Qty.
C875,876	ELECT CAP 2.2 MFD/50V +-20% (5x11)	006-002000-50D	2
C513,514,515,516,525	ELECT CAP 4.7 MFD/50V +-20% (5x11)	006-004000-50D	5
C435,645	ELECT CAP 10 MFD/50V +-20% (5x11)	006-010000-50D	2
C437,465,654,655	ELECT CAP 100 MFD/16V +-20% (5x11)	006-010100-16D	4
C419	ELECT CAP 22 MFD/25V +-20% (5x11)	006-022000-25D	1
C416,442,470	ELECT CAP 220 MFD/10V +-20% (6.3x11)	006-022100-10D	3
C471	ELECT CAP 330 MFD/25V +-20% (10x12)	006-033100-25D	1
C408,649	*CdF ELECT CAP 47 MFD/16V +-20% (5x11)	006-047000-16D	2
TC401	TRIMMER CAP CVN610 3-10pF WHITE (6x6x5mm) (JIN MYOUNG) (CdF)	007-200610-000	1
TRANSISTORS			
Q501,502	TRLNPNSSST-TAP&TO-092 3DG1815	008-618150-000	2
Q604	TRLPNPPWR-TAP&TO-092 3CA8550	008-685500-000	1
Q605	TR NPNSST-RAD&SC-072 DTC114ES (ROHM)	008-801141-000	1
Q402	CHIP NJFET SST201/SST201B-T1 (SILICONIX) TAPE & WHEEL 2SK208Y TOSHIBA	008-A00201-010	1
Q409,410	TR PNPPWR-RAD&SC-059 2SA1036K (CHIP)	008-A01036-000	2
Q403,404,405,411	TR NPNSST-RAD&SC-059 2SC2712GR (CHIP) (89-327-125-08)	008-A02712-000	4
CRYSTAL			
CX401	CRYSTAL 7.2 MHz HC-49/U/ALCCCAK	009-607200-000	1
INTEGRATED CIRCUITS			
IC606	ICANALOGSWT-4P2T BU4551BF QUAD 2 CHANNEL ANALOG MULTIPLEXER/DEMUTIPLEXERS	010-354551-000	1
IC506	ICAMP-OP-02CH-DUALV LS4558N	010-404558-003	1
IC401	ICRDS TA2099N (TOSHIBA) (87-A21-173-01)	010-832099-000	1
IC402	ICPLL TC9257F	010-849257-000	1
DIODES			
VD401,402	VARI CAP DIODE 2CC149	011-000149-001	2
D401,402,403,404	DIODE IN-4148 ROHM/TELEFUNKEN TAP**50 KEL(NS)(TAP:52mm)/NS(FAIRCHILD)/SEMTECH	011-004148-000	4
INDUCTORS			
T408,409	IFT 7PF038C 7.8mm BLACK =012-000022-078	012-000038-078	2
T405	IFT 7M4A1772R 7.5mm YELLOW =012-001720-075	012-001772-075	1
T403	IFT 7M1A1959R 7.5mm RED =012-001905-075	012-001959-075	1
T401	IFT 7M1A1961R 7.5mm BLACK =012-001950-075	012-001961-075	1
L401,403	*CdF INDUCTOR 100 uH /1128/CEC-101K +-10% LAL03 TB 101K	018-010014-000	2
FILTERS			
CF401,402	CERAMIC FILTER SFE10.7MS3-A	019-000107-006	2
CF404	CERAMIC FILTER CDA10.7MG82-A	019-000107-028	1
CF403	(F019-000450-002) CERAMIC FILTER LTU450G2	019-000450-012	1
MISCELLANEOUS			
	TUNER-FM&&00STATION FM FRONT END TUNER PET-3010F/H (EU) (TAE BONG)	042-103010-000	1
	JACK COAXIAL JACK HTR-401V	118-030401-000	1
JK401	HEADER MOLEX 2 PINS 5268-02A PITCH 2.5mm HORIZONTAL TYPE	135-005268-020	1
	PIN HEADER 13 PINS S40R20 PITCH:2mm SINGLE ROW RIGHT ANGLE	135-S40R20-130	1
CENTER SPEAKER SECTION - (SSQCE1)			
WIRE			
	SPK WIRE UL/CSA 2468 2x22AWG (17/0.16mm) TRANS. w/BK LINE 4M w/TUBE 1xYEL,BLK	122-002120-407	1

ELECTRICAL PARTS LIST - CONTINUED

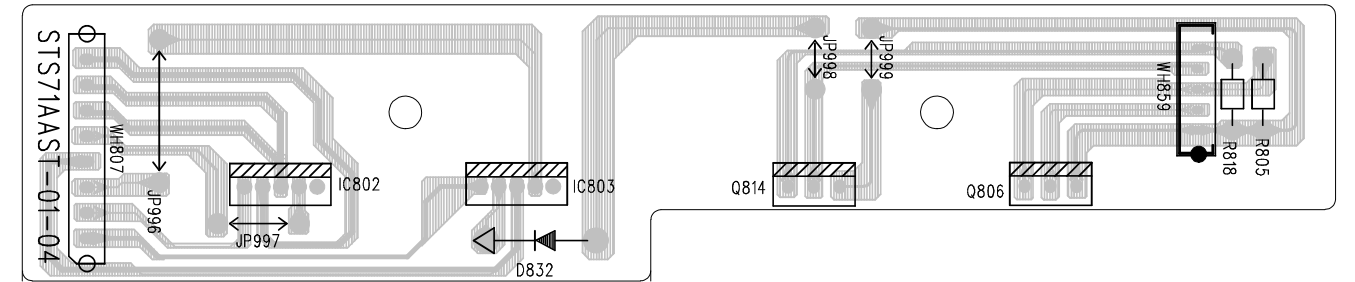
Ref. No.	Description	Mfr's Part No.	Qty.
MISCELLANEOUS			
	SPK00003*008OHM0030W w/BLACK DOME CAP (#LF77SZ4409G40 C8K14PDB)	131-308030-017	1
SUB-WOOFER SECTION - (SWS1)			
WIRE			
FOR SW	SPK WIRE UL/CSA 2468 2x22 AWG 17/0.16mm TRANS. w/BK LINE 4M w/TUBE 1xBRN,BLK	122-002120-406	1
MISCELLANEOUS			
	SPK006.5*006OHM0060W w/BK DOME PAPER CAP #LW165KZ5804G70F6A26PDB K0626	131-656060-011	1
2-SPEAKER SECTION - (MTS6801)			
WIRES			
FOR FL	SPK WIRE UL/CSA 2468 2x22 AWG 17/0.16mm TRANS. w/BK LINE 4M w/TUBE 1xWHT,BLK	122-002120-404	1
FOR FR	SPK WIRE UL/CSA 2468 2x22 AWG 17/0.16mm TRANS. w/BK LINE 4M w/TUBE 1xRED,BLK	122-002120-405	1
MISCELLANEOUS			
	SPK00004*008OHM0030W w/BK DOME MYLAR CAP (#LF100SZ9201G45 C8K14MDB)	131-408030-011	2
2-SPEAKER SECTION - (SSQE1)			
WIRES			
FOR SR	SPK WIRE UL/CSA 2468 2x22 AWG 17/0.16mm TRANS. w/BK LINE 10M w/TUBE 1xGREEN,BLK	122-002121-006	1
FOR SL	SPK WIRE UL/CSA 2468 2x22 AWG 17/0.16mm TRANS. w/BK LINE 10M w/TUBE 1xBLUE,BLK	122-002121-007	1
MISCELLANEOUS			
SL, SR	SPK00003*008OHM0030W w/BLACK DOME CAP (#LF77SZ4401G40 C8K14PDB) w/o SHIELDING	131-308030-018	2

NOTES:

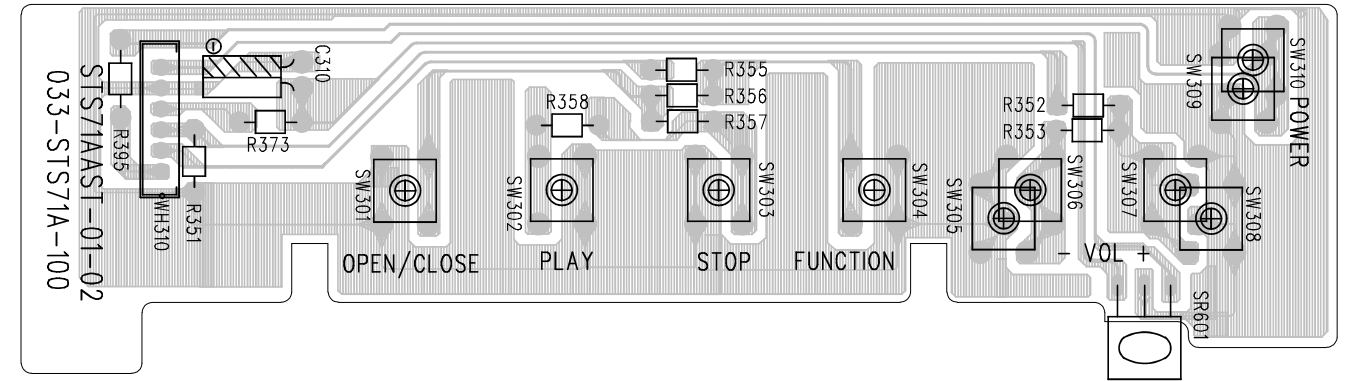
1. " # " Mylar is a registered trademark of E.I. Du Pont de Nemours and Company.
2. ⚠ Symbol in parts list represent safety parts.

PRINTED CIRCUIT BOARDS

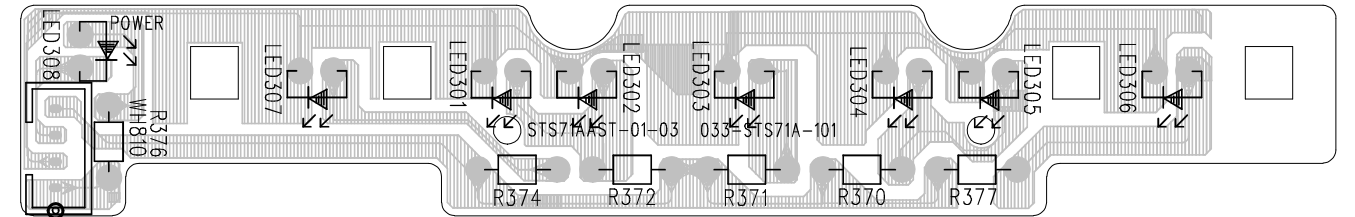
**REGULATOR PCB
STS71AAST-01-04**



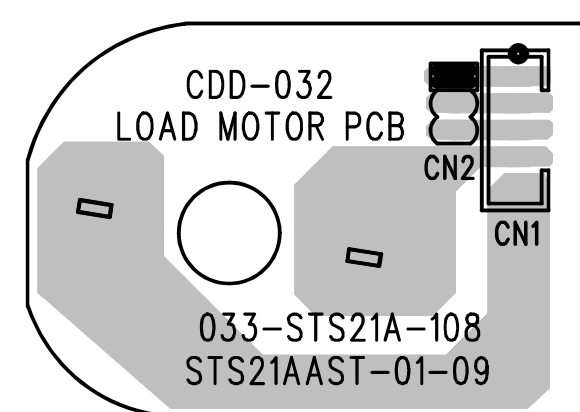
**KEY PCB
STS71AAST-01-02**



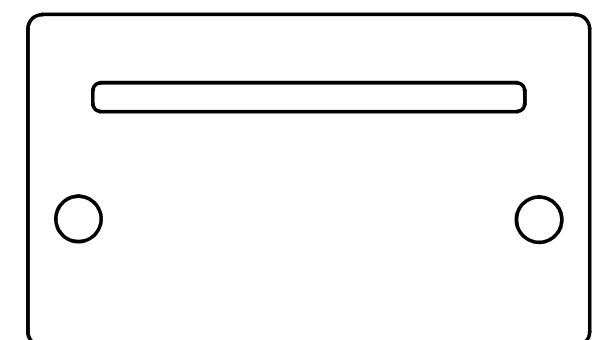
**LED PCB
STS71AAST-01-03**



**LOAD MOTOR PCB
STS21AAST-01-09**



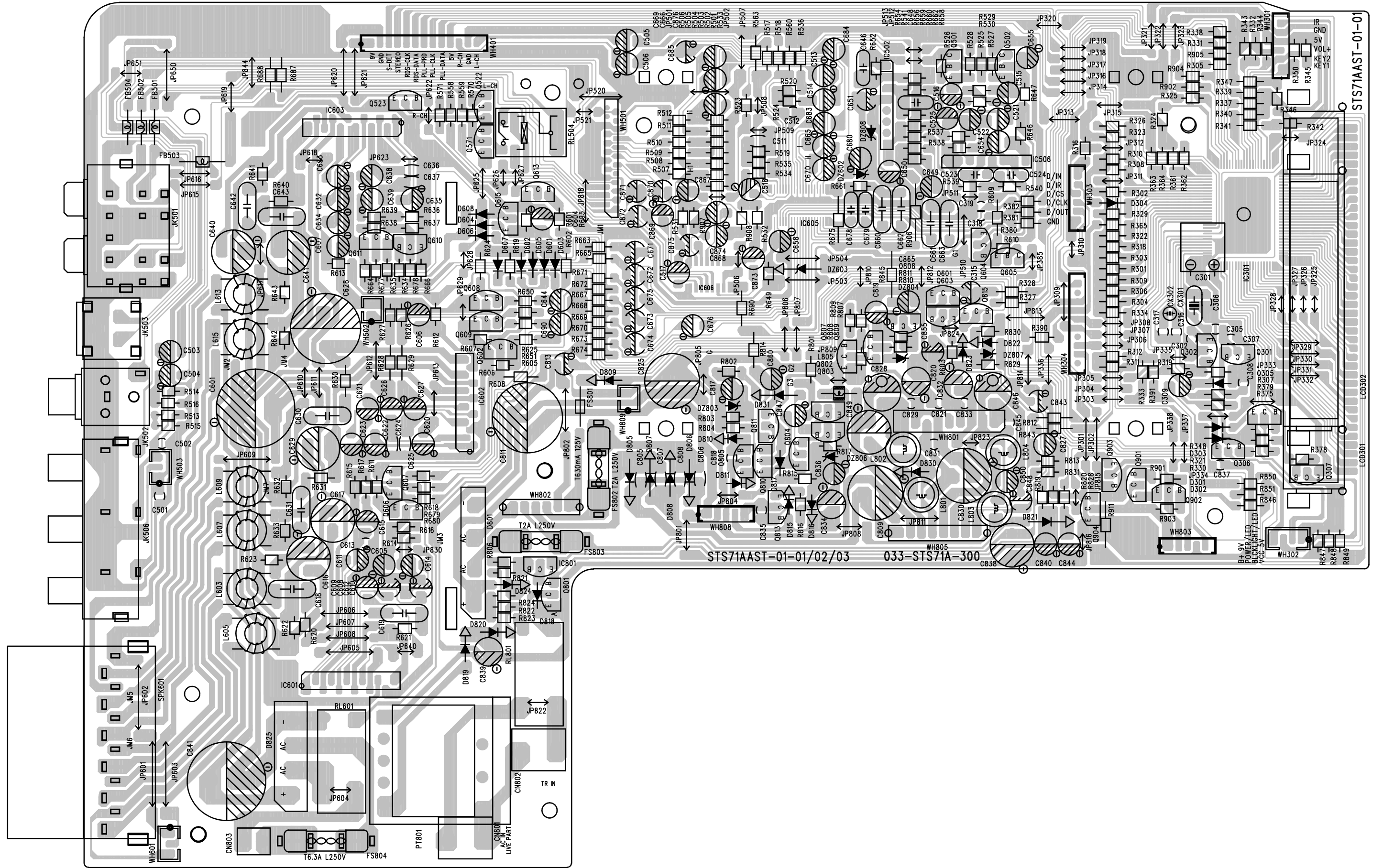
**BLANK PCB
STS71AAST-01-06**



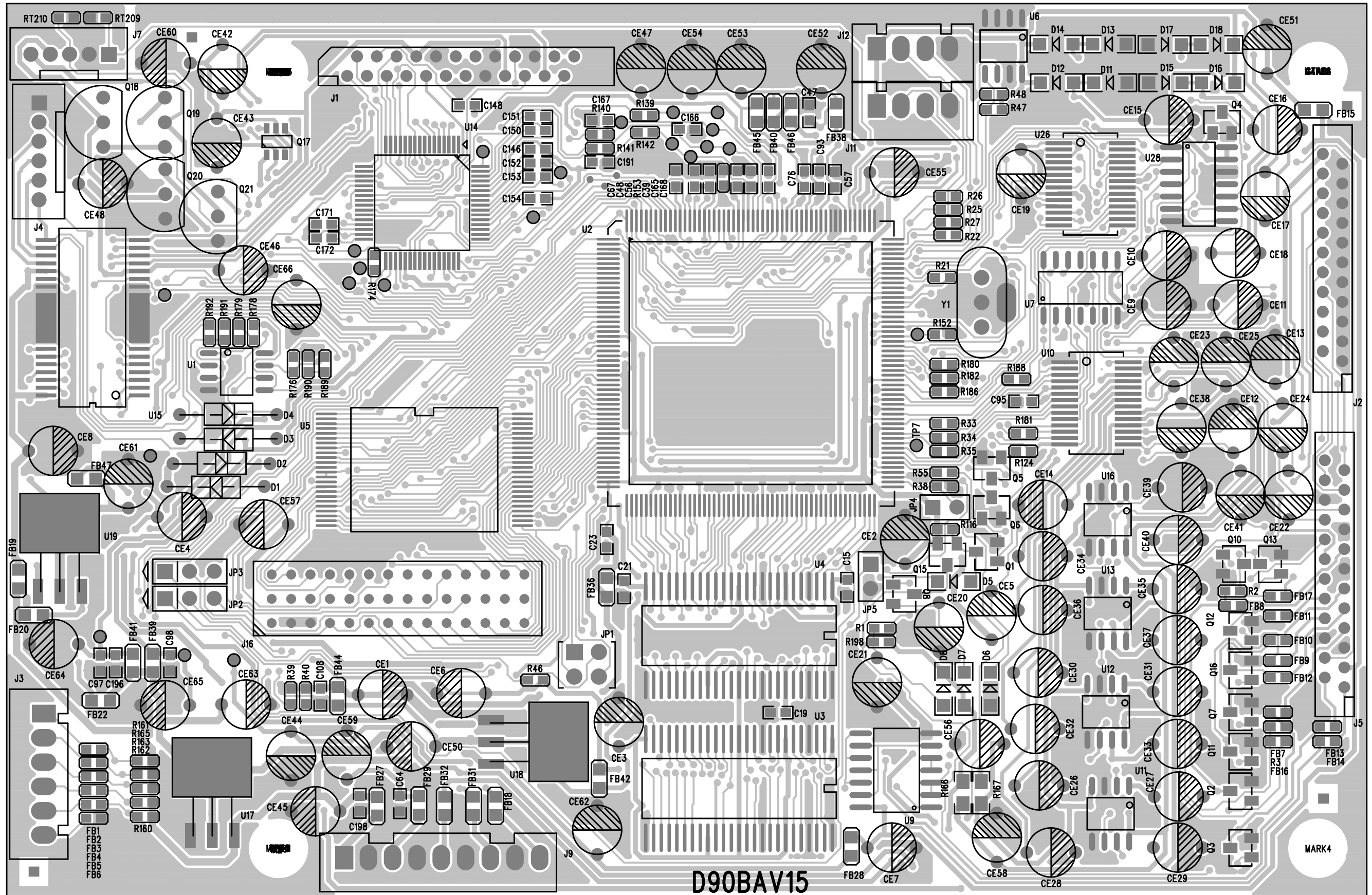
NOTES:

- PCB Part No.: 033-ST21A-300 of this model are assembled and aligned in FULL SET and are supplied in FULL SET for serving.

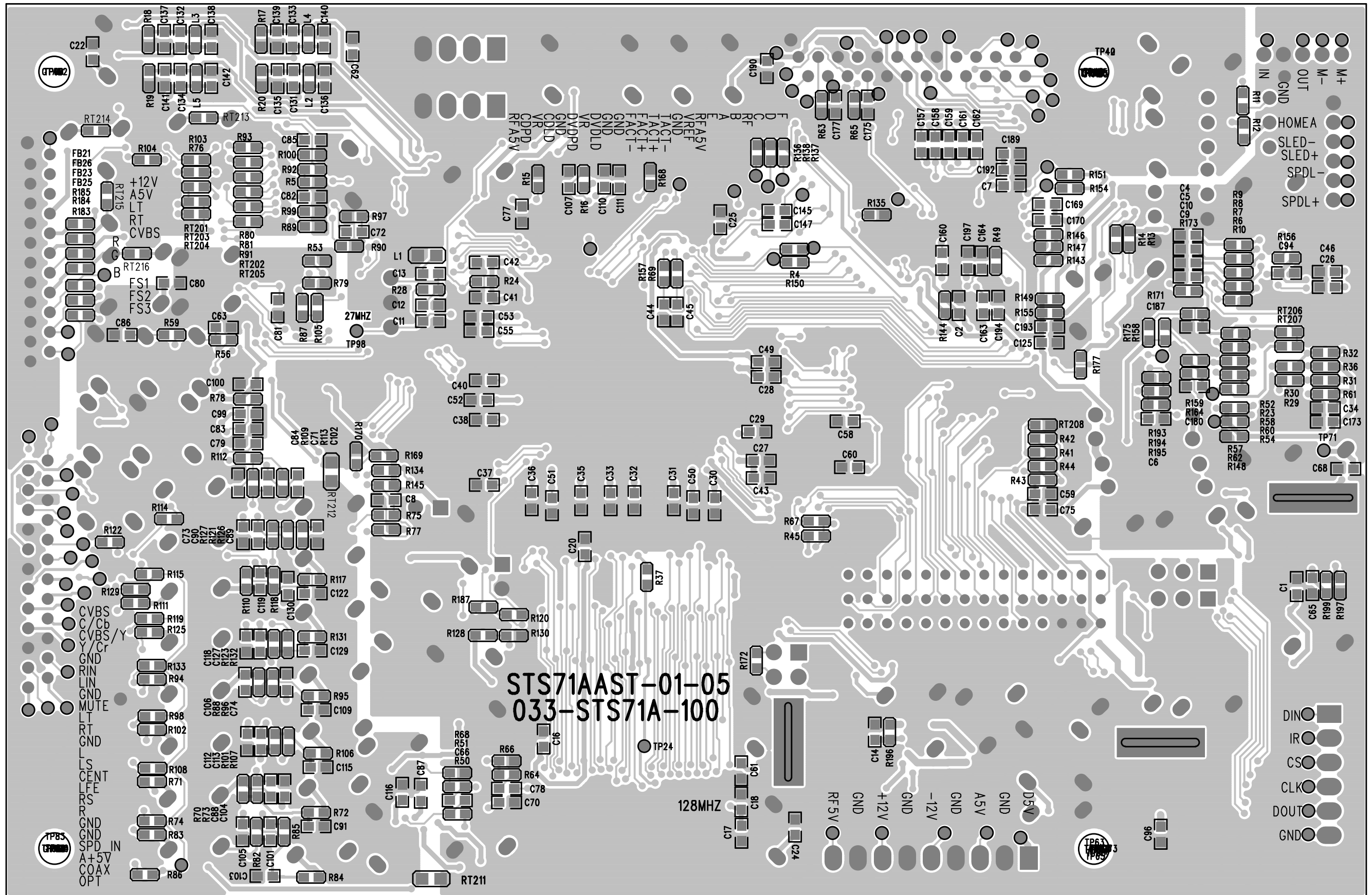
MAIN PCB
STS71AAS-01-01



MPEG+SERVO SECTION (TOP VIEW)
STS71AAS-01-05

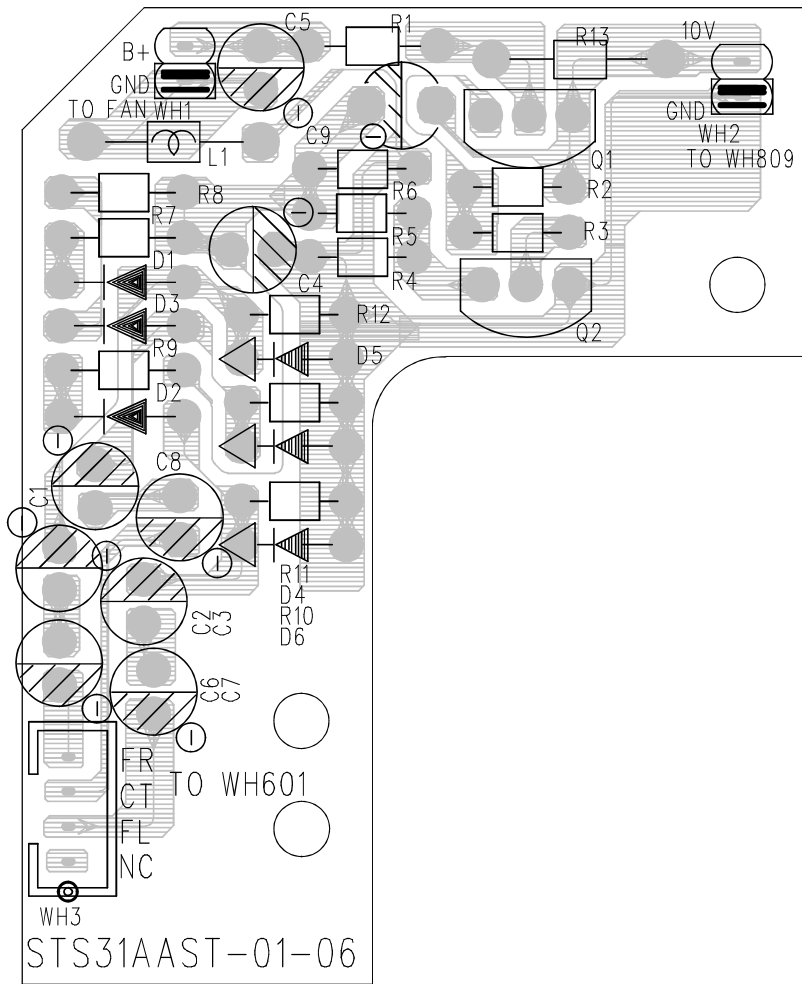


MPEG+SERVO SECTION (BOTTOM VIEW)
STS71AAST-01-05

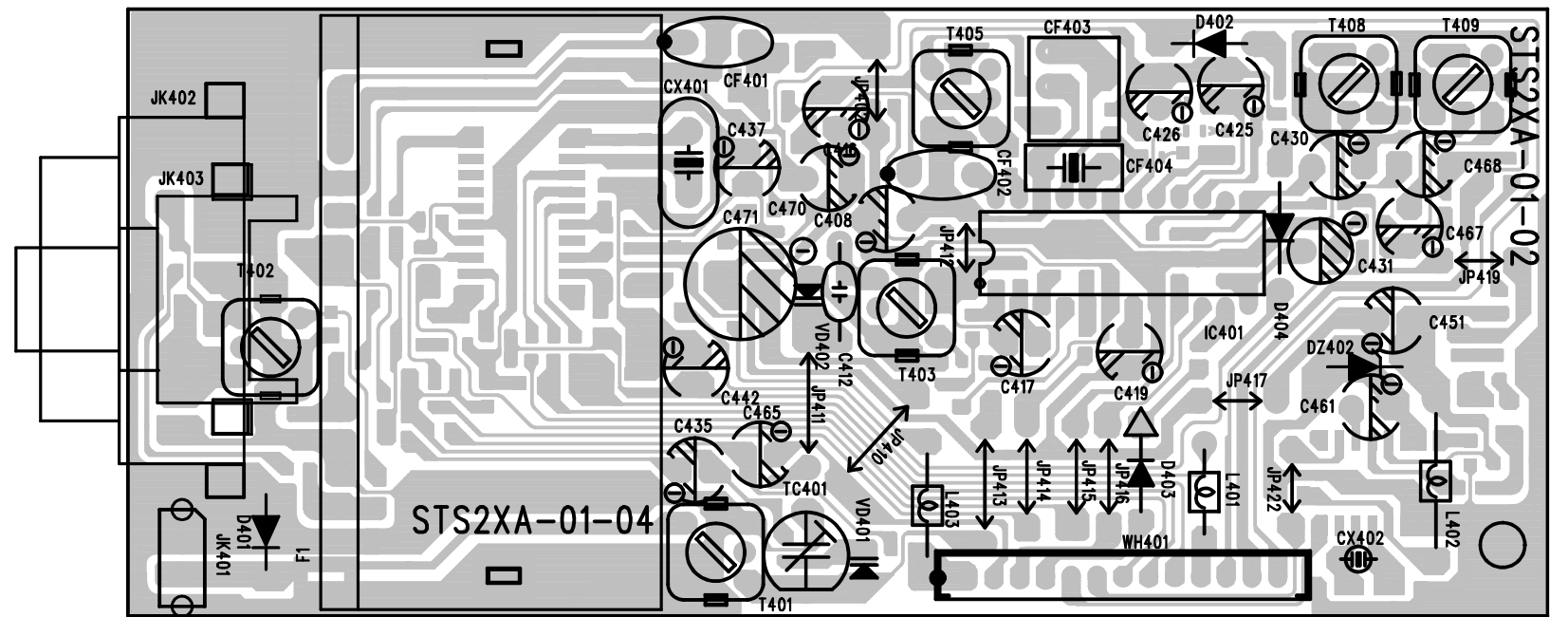


STS71AAST-01-05
033-ST571A-100

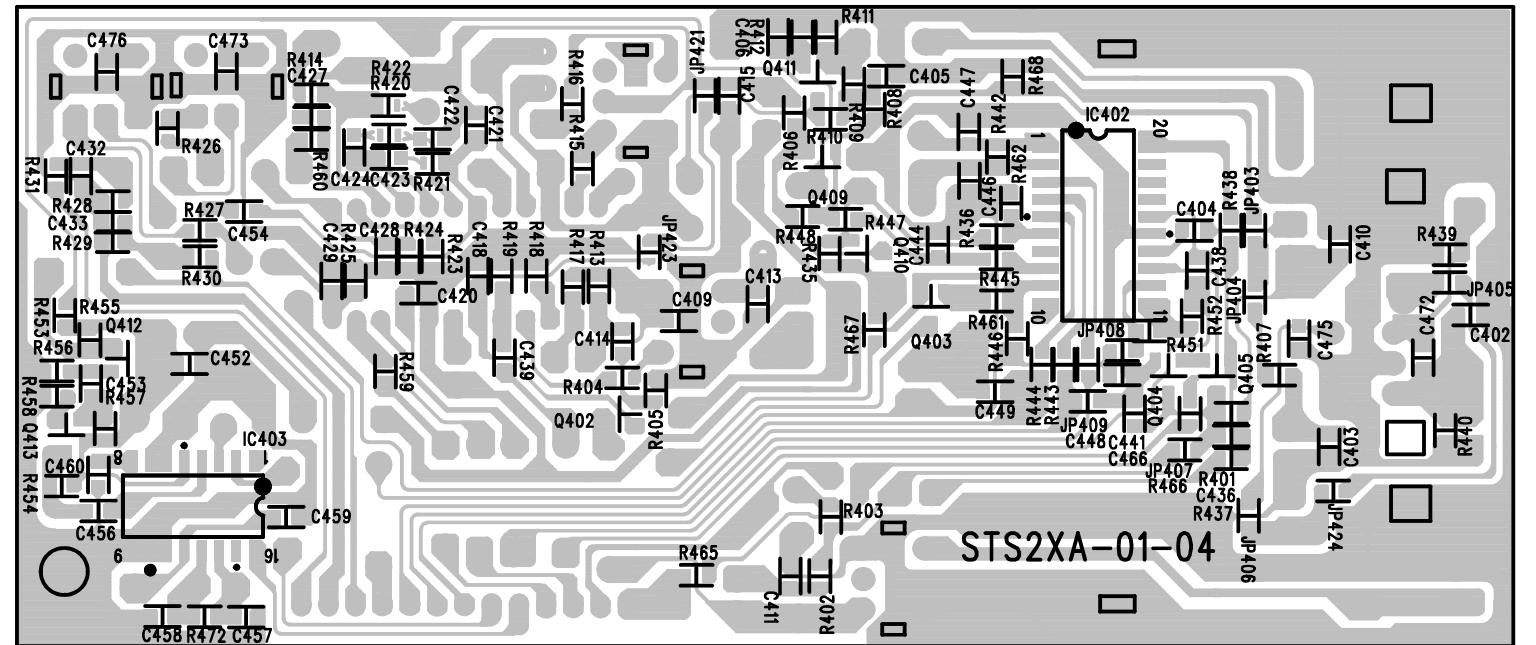
**FAN CONTROL PCB
STS31AAST-01-06**



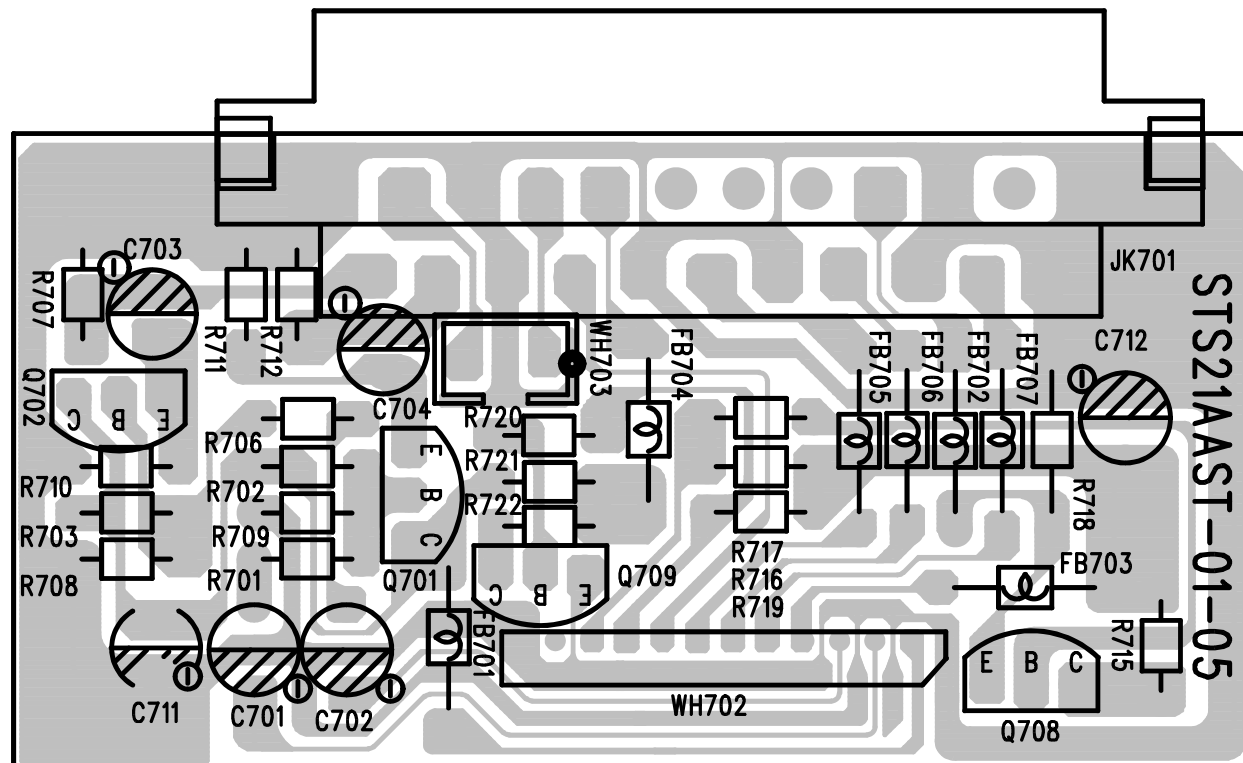
**TUNER PCB (TOP VIEW)
STS21AAST-01-04**



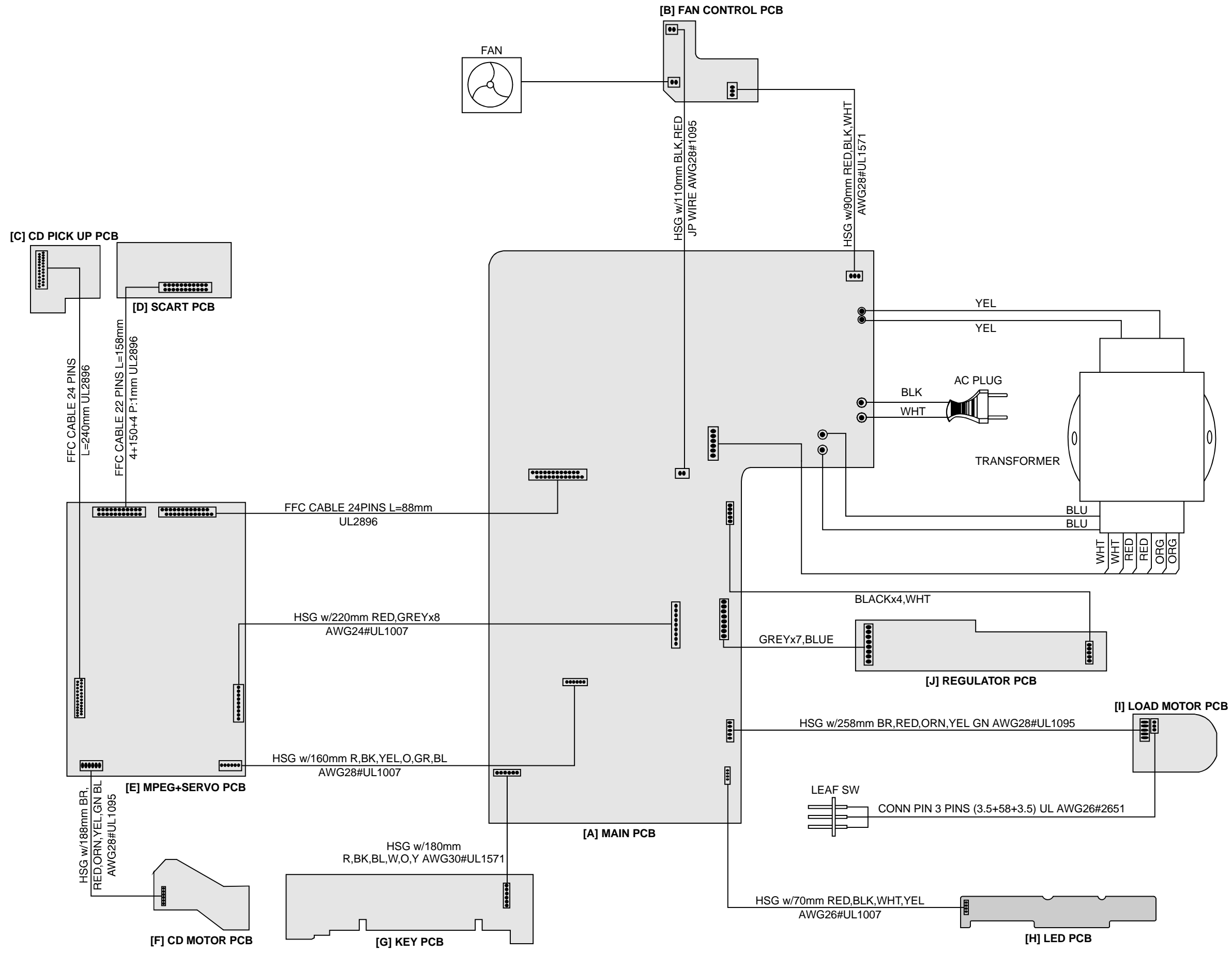
**TUNER PCB (BOTTOM VIEW)
STS21AAST-01-04**



**SCART PCB
STS21AAST-01-05**

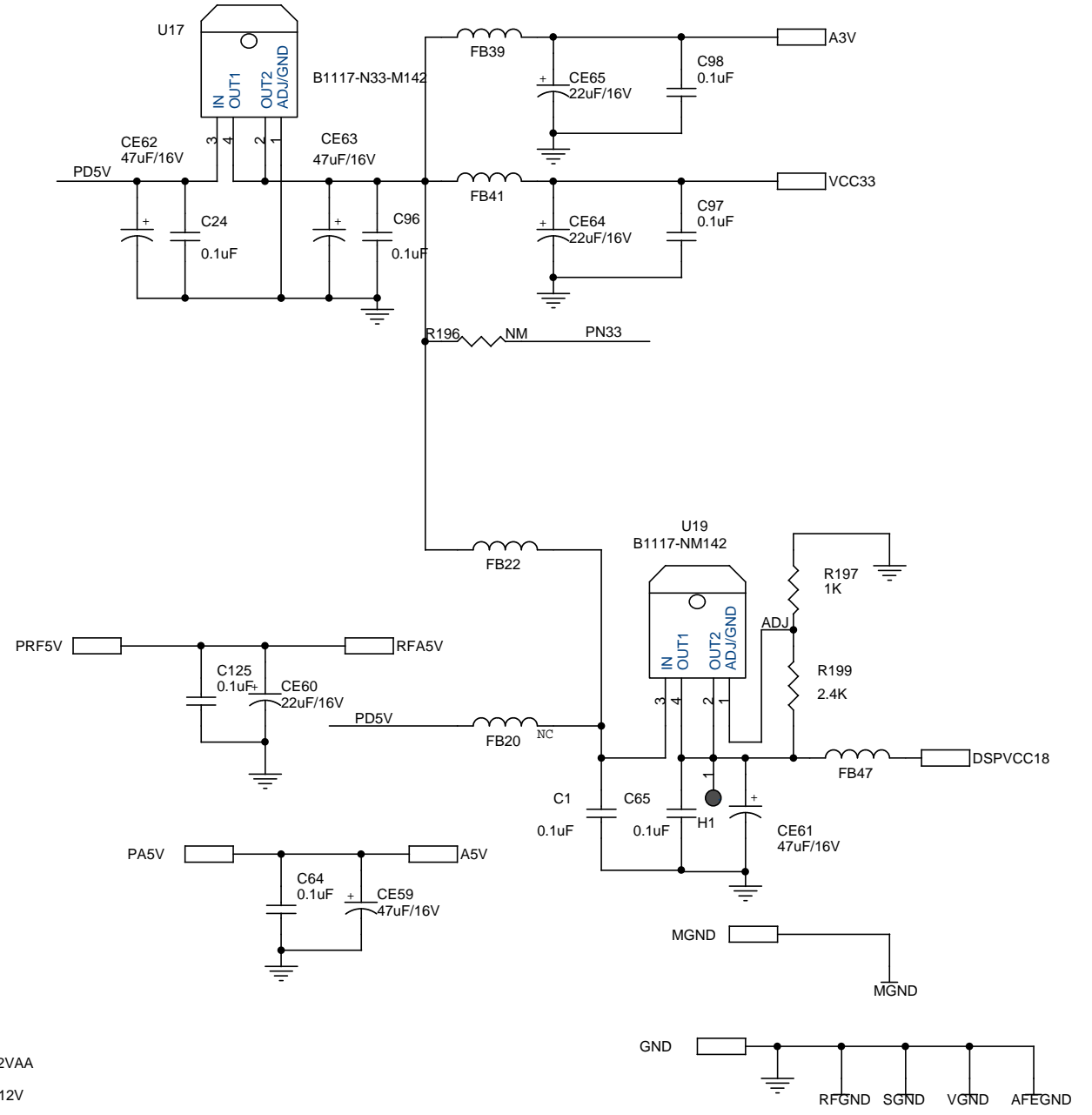
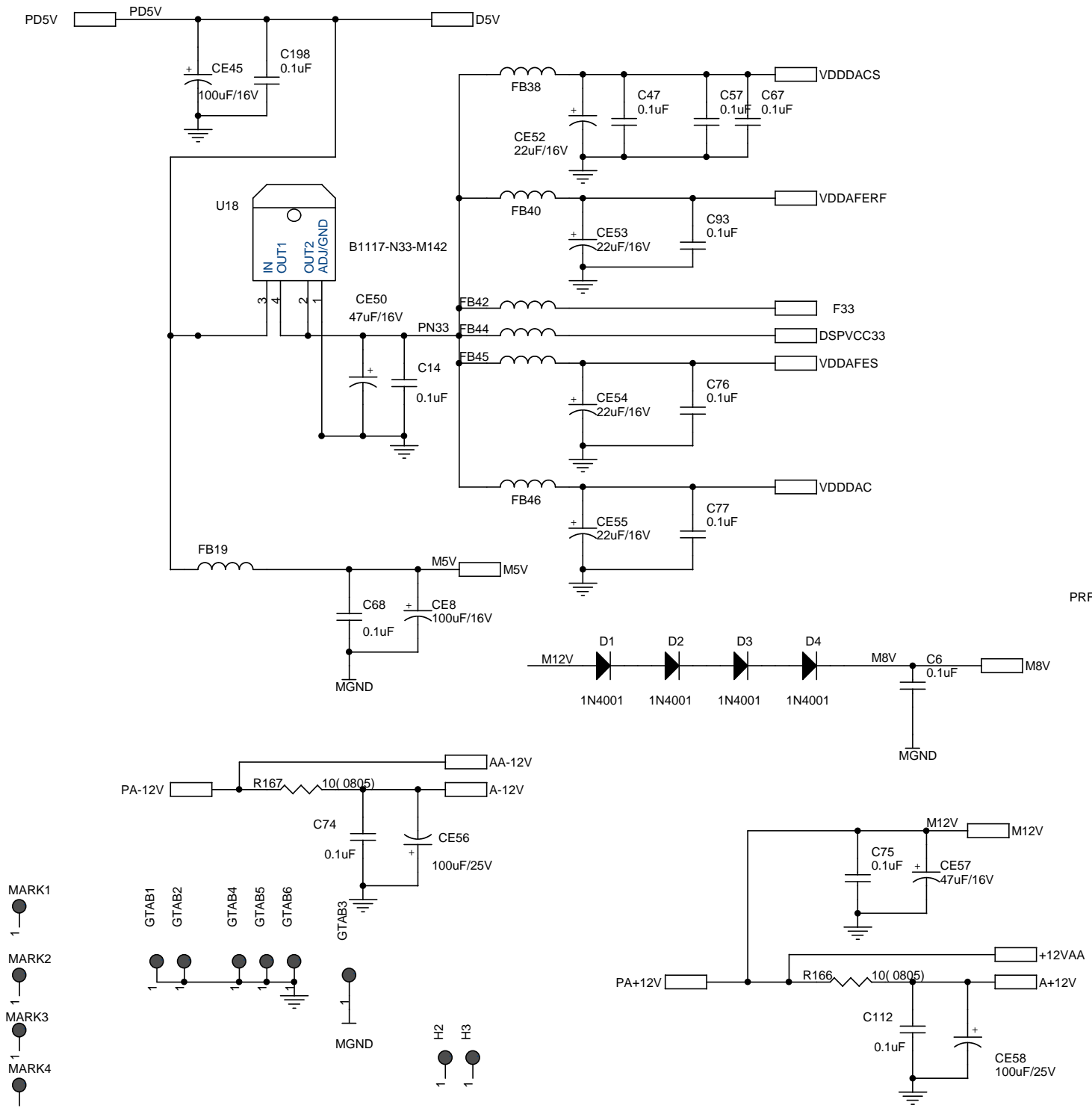


WIRING DIAGRAM



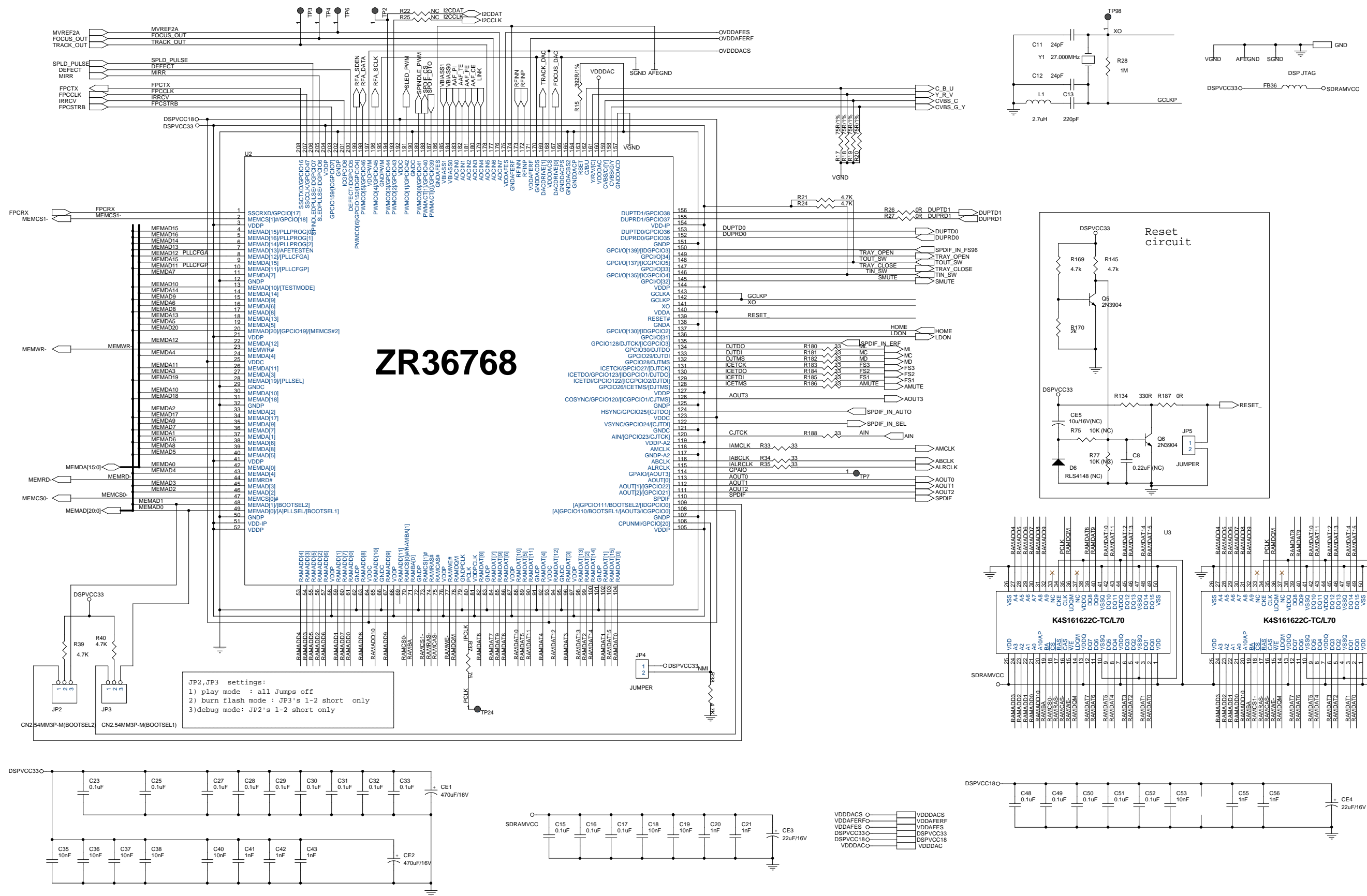
SCHEMATIC DIAGRAMS

MPEG & SERVO POWER SUPPLY SECTION



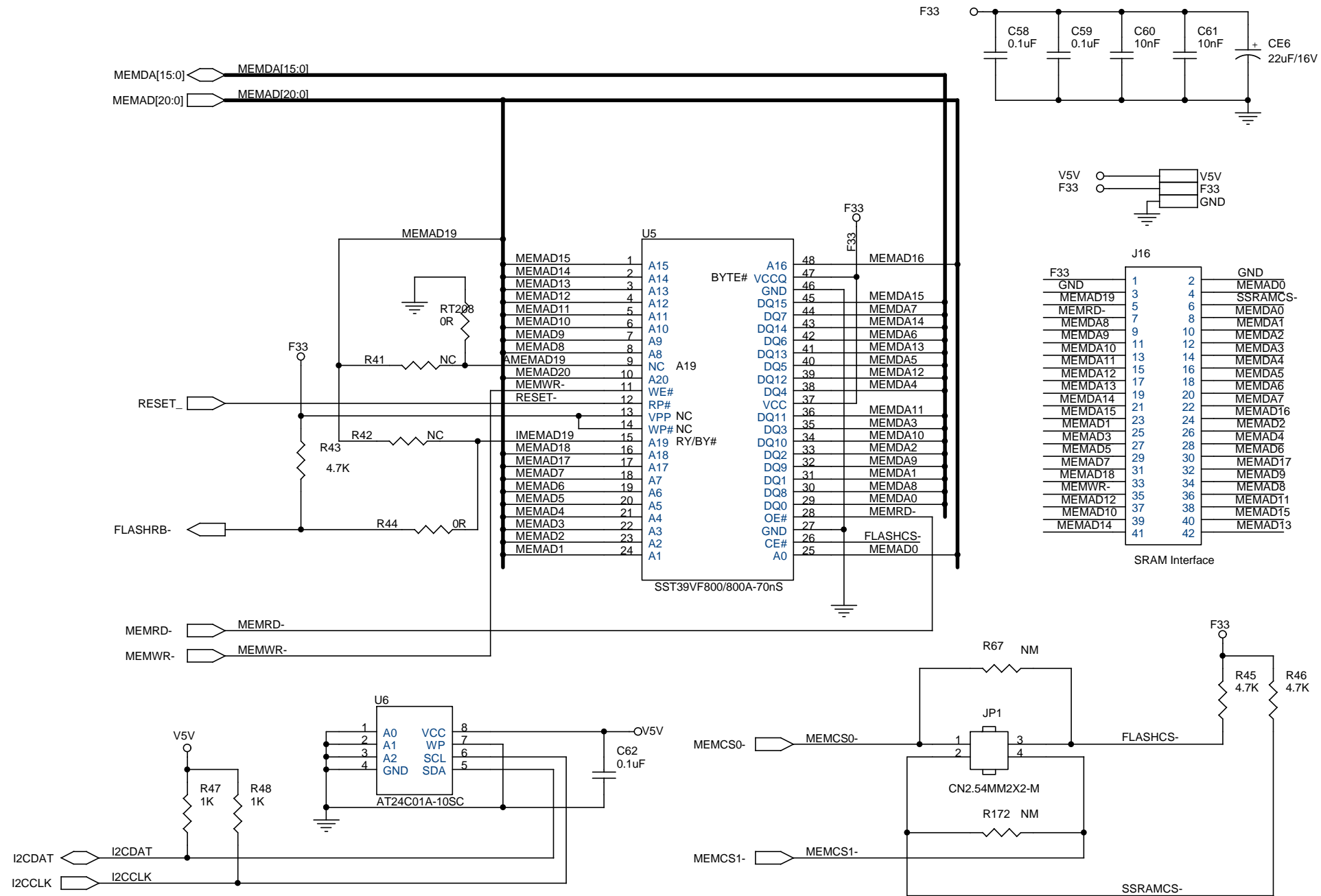
NOTES: 1. All resistance values are indicated in "ohms"(k=1000 ohms. M=1000 Kohms).
 2. All capacitance values are indicated in "µF" (p=10⁻⁶µF).

DECODE SECTION



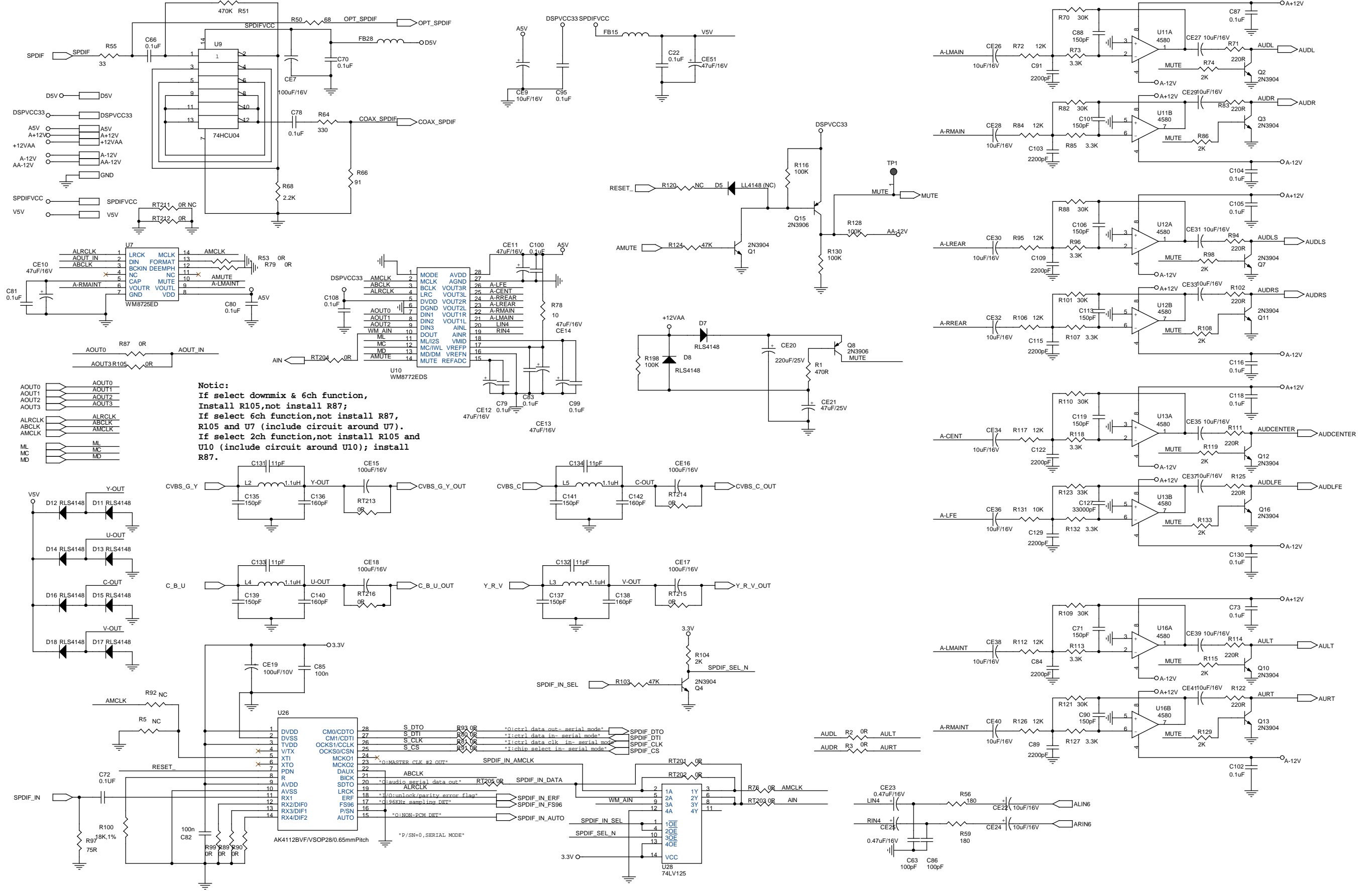
NOTES: 1. All resistance values are indicated in "ohms" (k=1000 ohms, M=1000 Kohms).
2. All capacitance values are indicated in "µF" (p=10⁻⁶ µF).

FLASH ROM SECTION



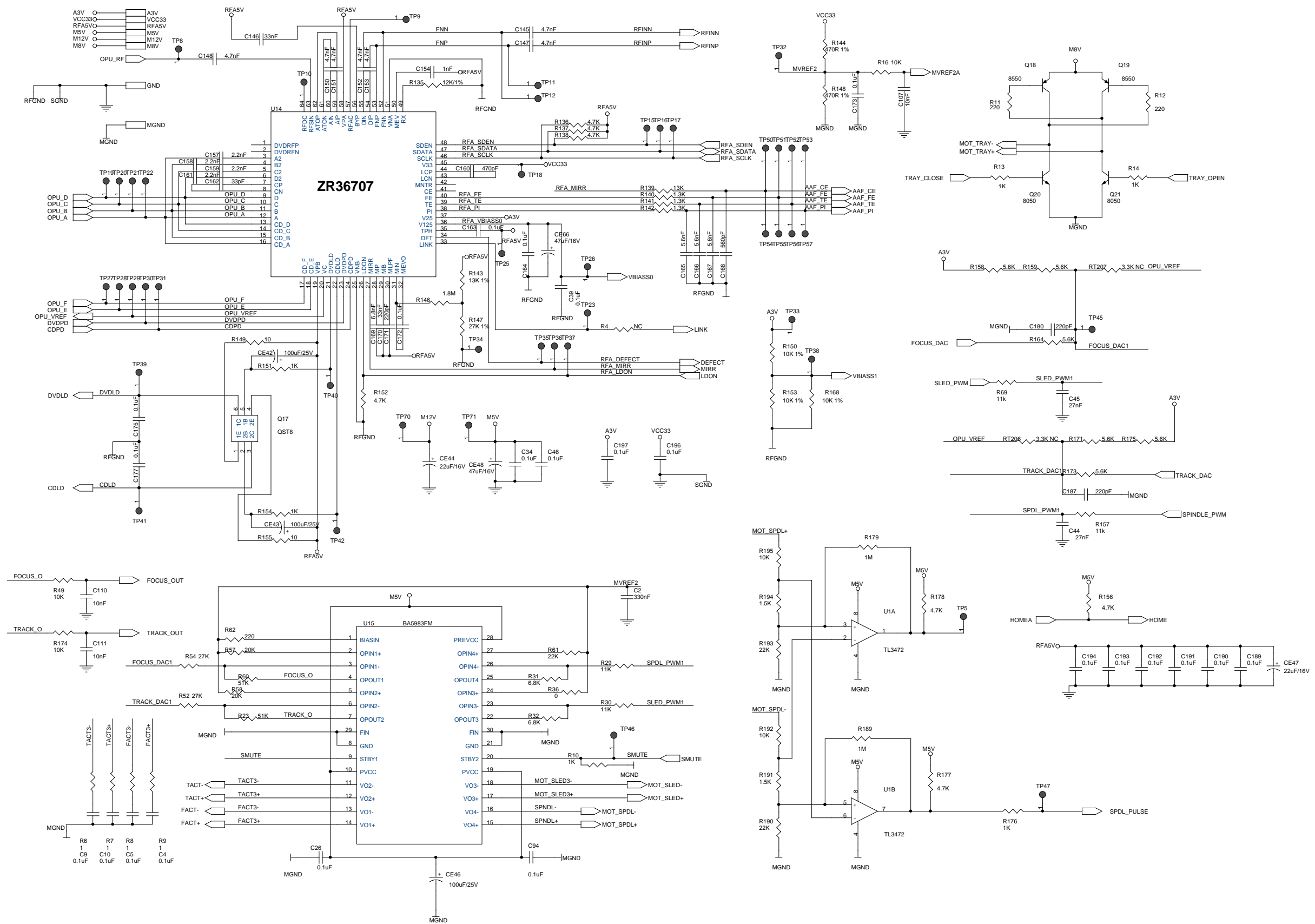
NOTES: 1. All resistance values are indicated in "ohms"(k=1000 ohms. M=1000 Kohms).
 2. All capacitance values are indicated in "µF" (p=10⁻⁶µF).

AUDIO & VIDEO OUT SECTION



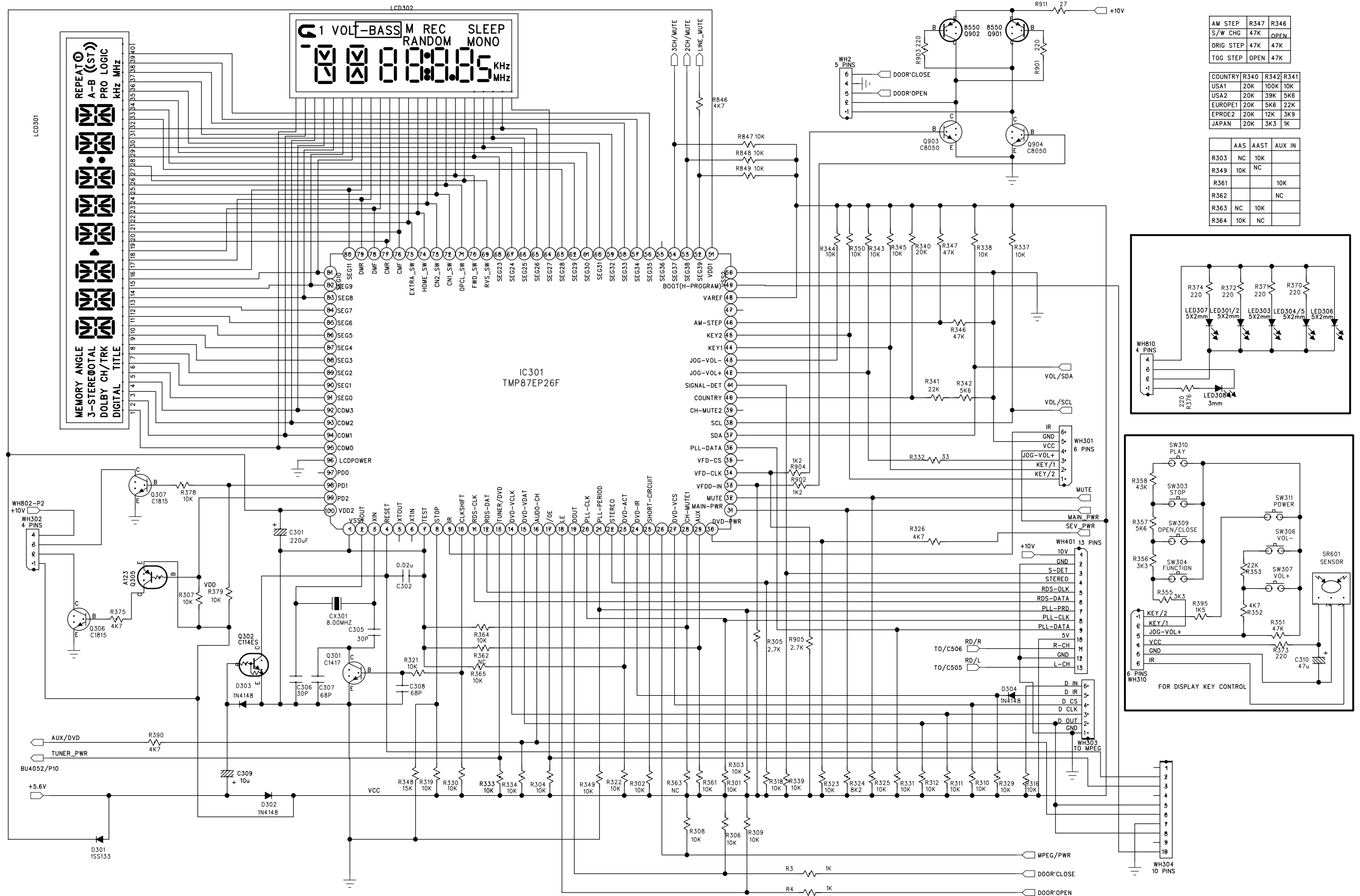
NOTES: 1. All resistance values are indicated in "ohms" (k=1000 ohms, M=1000 Kohms).
 2. All capacitance values are indicated in "µF" (p=10⁻⁶ µF).

RF, SERVO CONTROL SECTION



NOTES: 1. All resistance values are indicated in "ohms" (k=1000 ohms, M=1000 Kohms).
 2. All capacitance values are indicated in "µF" (p=10⁻⁶ µF).

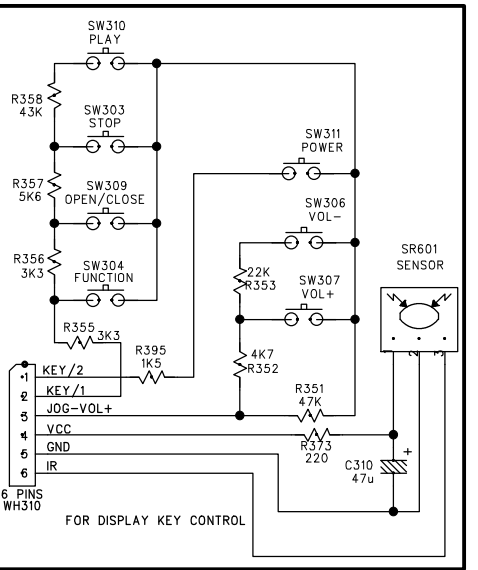
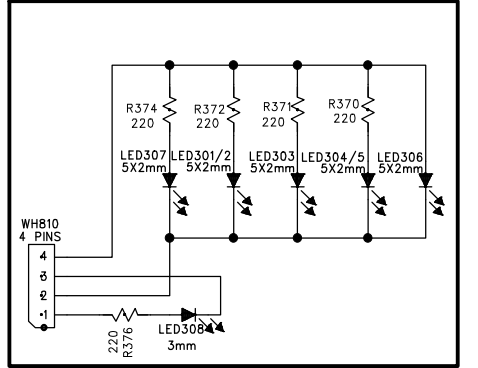
CPU SECTION



AM STEP	R347	R346
S/W CHG	47K	OPEN
ORIG STEP	47K	47K
TOG STEP	OPEN	47K

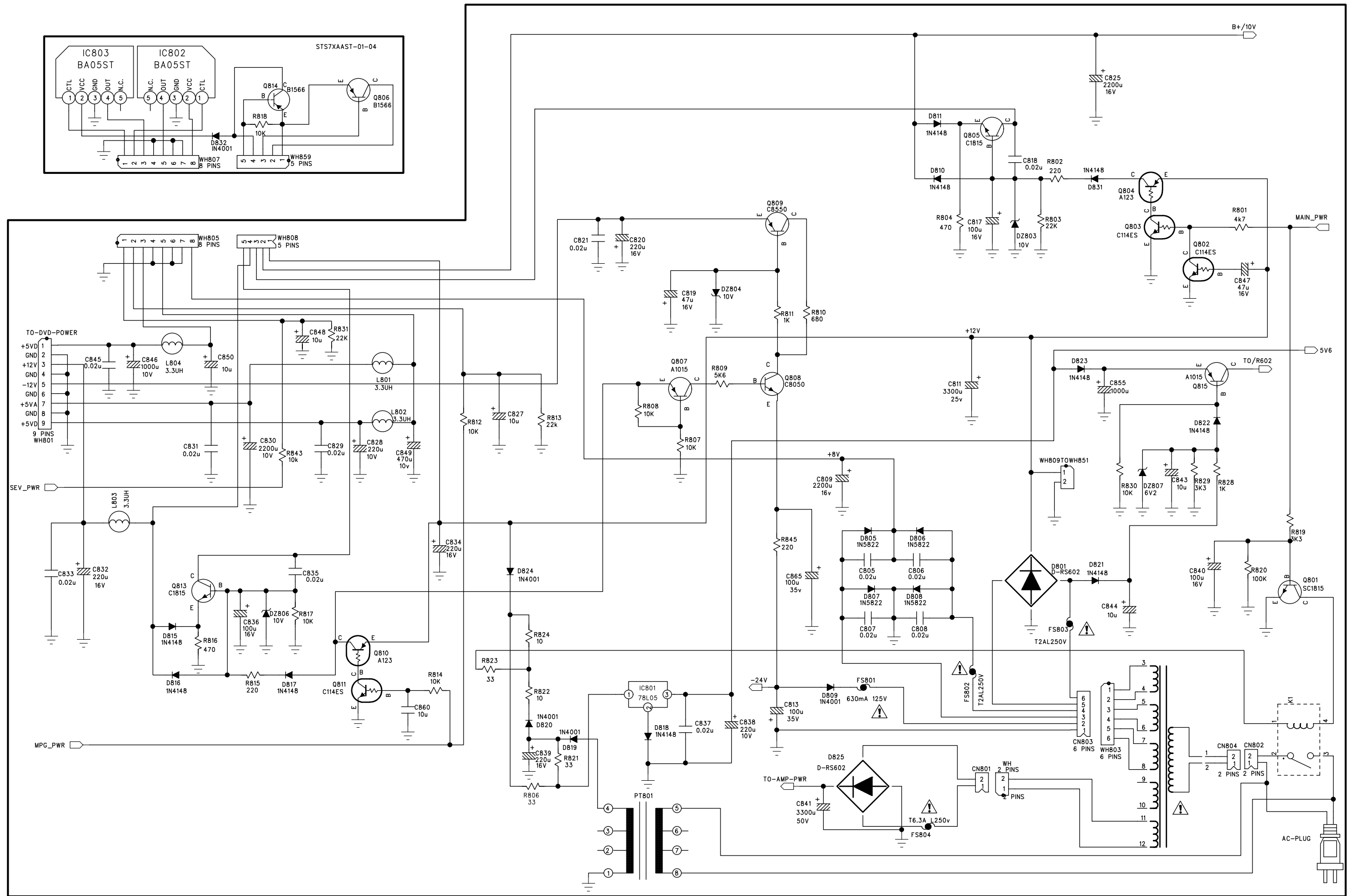
COUNTRY	R340	R342	R341
USA1	20K	100K	10K
USA2	20K	39K	5K6
EUROPE1	20K	5K6	22K
EPROE2	20K	12K	3K9
JAPAN	20K	3K3	1K

	AAS	AAS	AUX IN
R303	NC	10K	
R349	10K	NC	
R361		10K	
R362		NC	
R363	NC	10K	
R364	10K	NC	



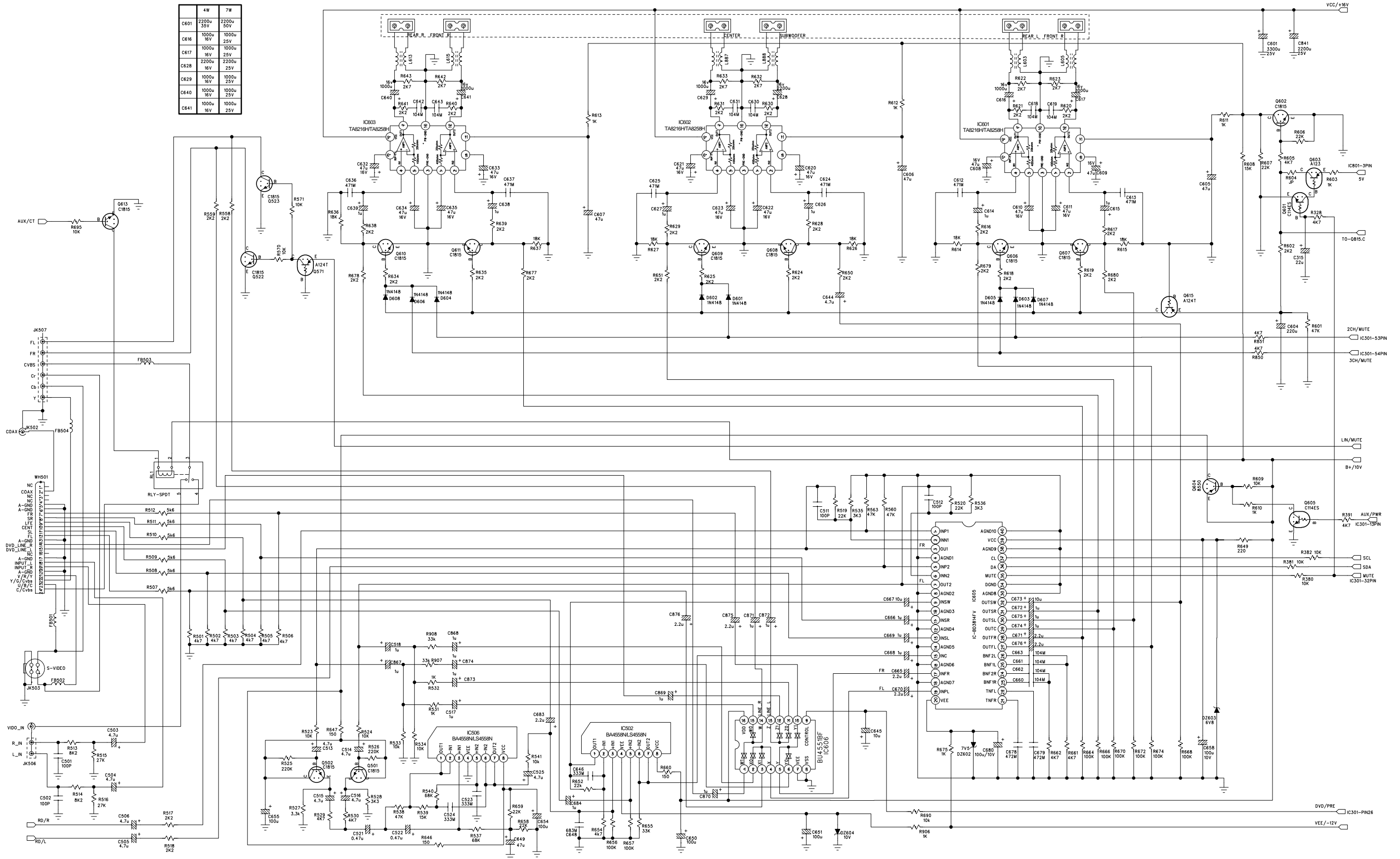
NOTES: 1. All resistance values are indicated in "ohms"(k=1000 ohms. M=1000 Kohms).
 2. All capacitance values are indicated in "µF" (p=10⁻⁶ µF).

POWER SUPPLY SECTION



NOTES: 1. All resistance values are indicated in "ohms"(k=1000 ohms. M=1000 Kohms).
 2. All capacitance values are indicated in "µF" (p=10⁻⁶ µF).

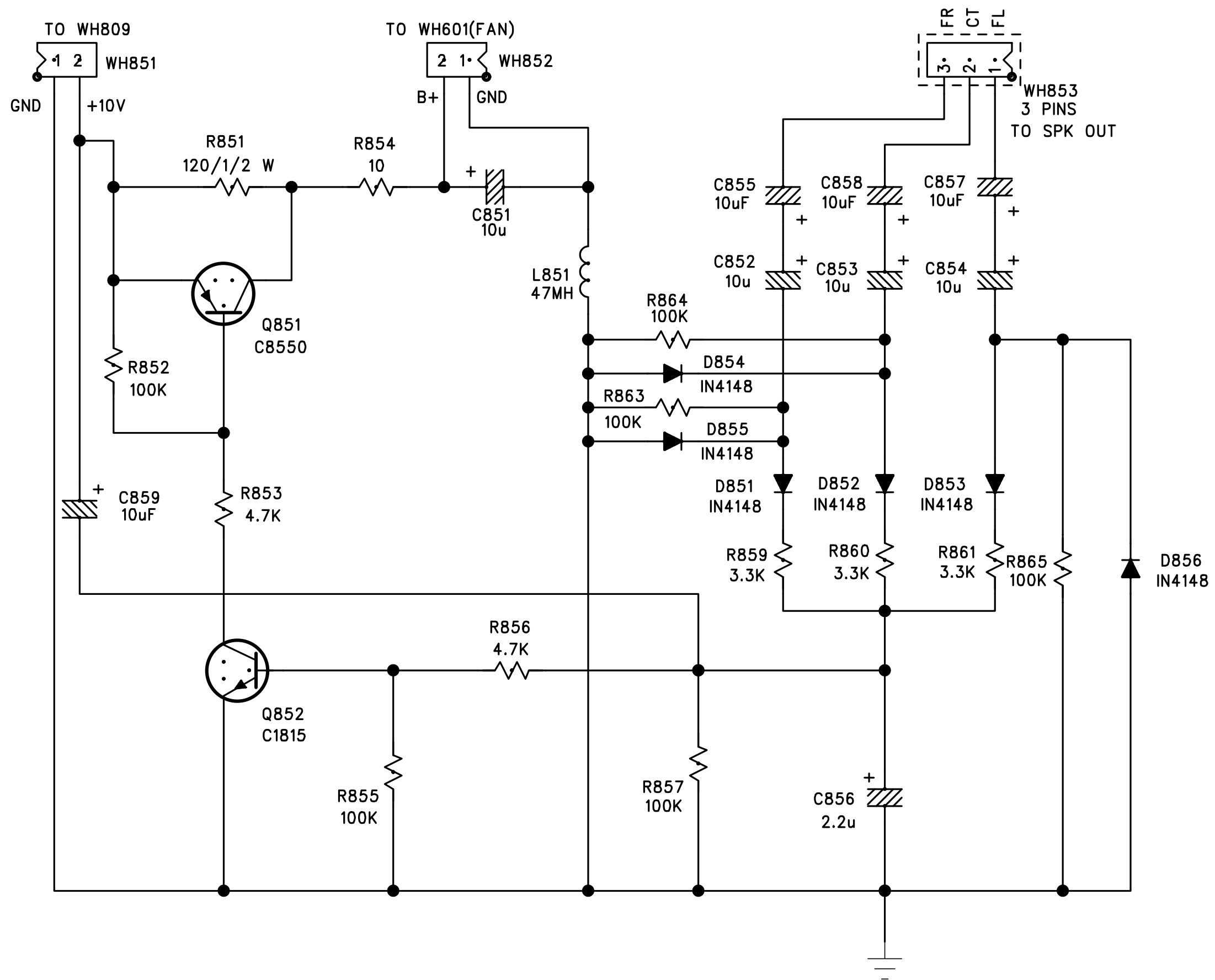
POWER AMPLIFIER SECTION



	4W	7W
C601	2200u 35V	2200u 50V
C616	1000u 16V	1000u 25V
C617	1000u 16V	1000u 25V
C628	2200u 16V	2200u 25V
C629	1000u 16V	1000u 25V
C640	1000u 16V	1000u 25V
C641	1000u 16V	1000u 25V

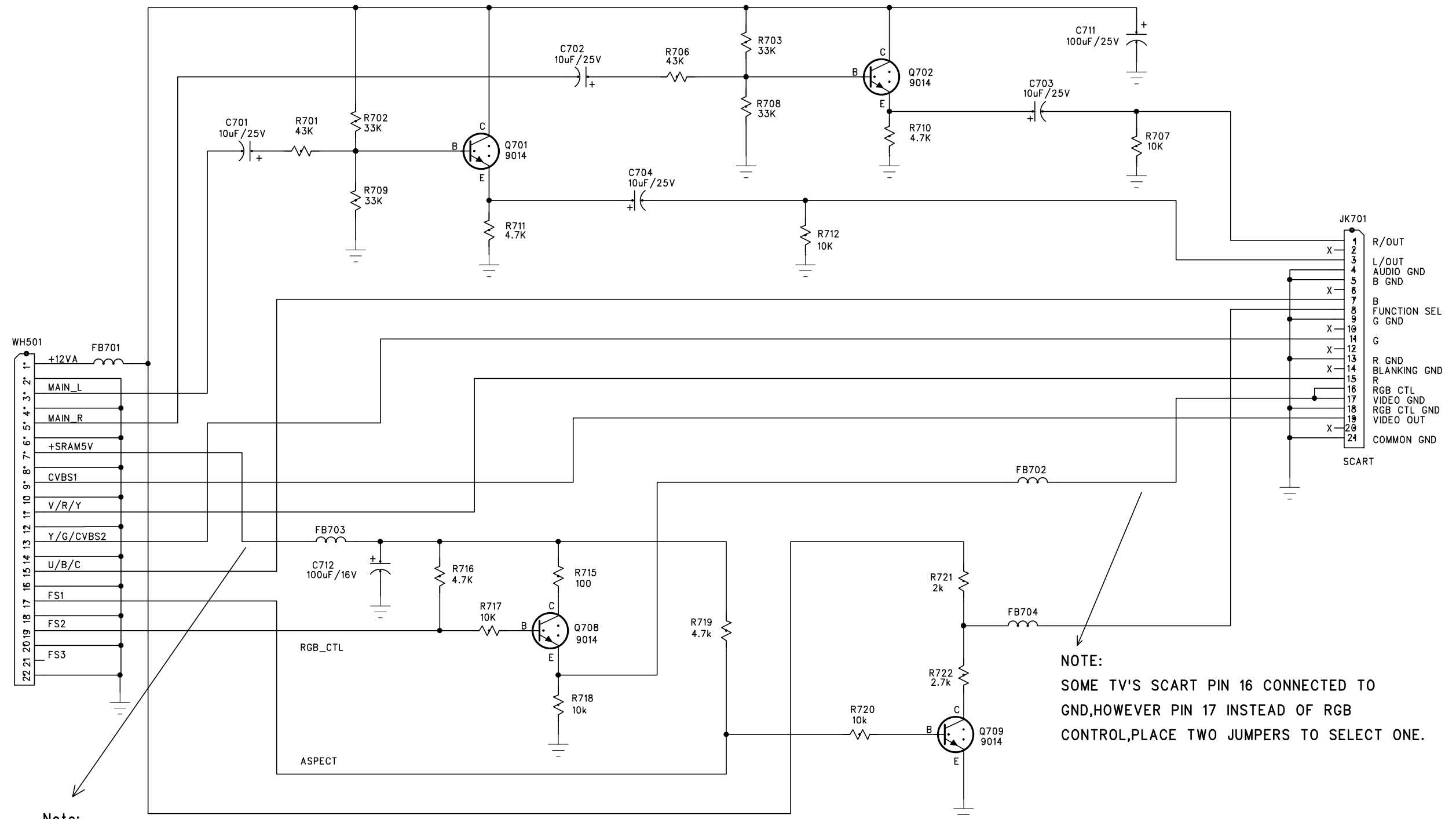
NOTES: 1. All resistance values are indicated in "ohms" (k=1000 ohms. M=1000 Kohms).
 2. All capacitance values are indicated in "µF" (p=10⁻⁶ µF).

FAN CONTROL SECTION



NOTES: 1. All resistance values are indicated in "ohms"(k=1000 ohms. M=1000 Kohms).
 2. All capacitance values are indicated in "µF" (p=10⁻⁶µF).

SCART SECTION



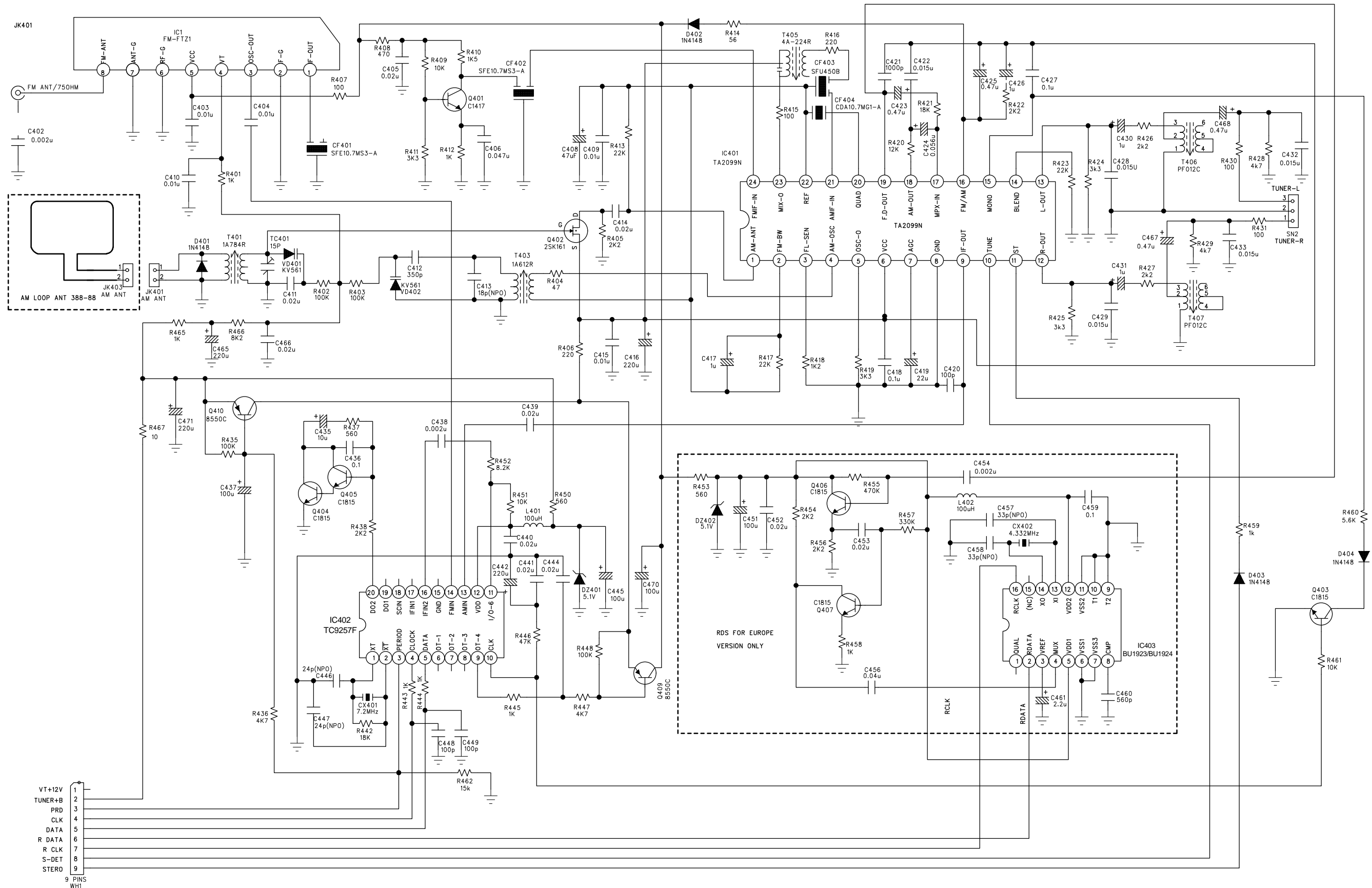
Note:

+5v power comes from different source maybe affect audio/video quality,select +SRAM5V or +5VV or +5v to achieve good performance.

NOTE:
SOME TV'S SCART PIN 16 CONNECTED TO GND,HOWEVER PIN 17 INSTEAD OF RGB CONTROL,PLACE TWO JUMPERS TO SELECT ONE.

NOTES: 1. All resistance values are indicated in "ohms"(k=1000 ohms. M=1000 Kohms).
2. All capacitance values are indicated in "µF" (p=10⁻⁶µF).

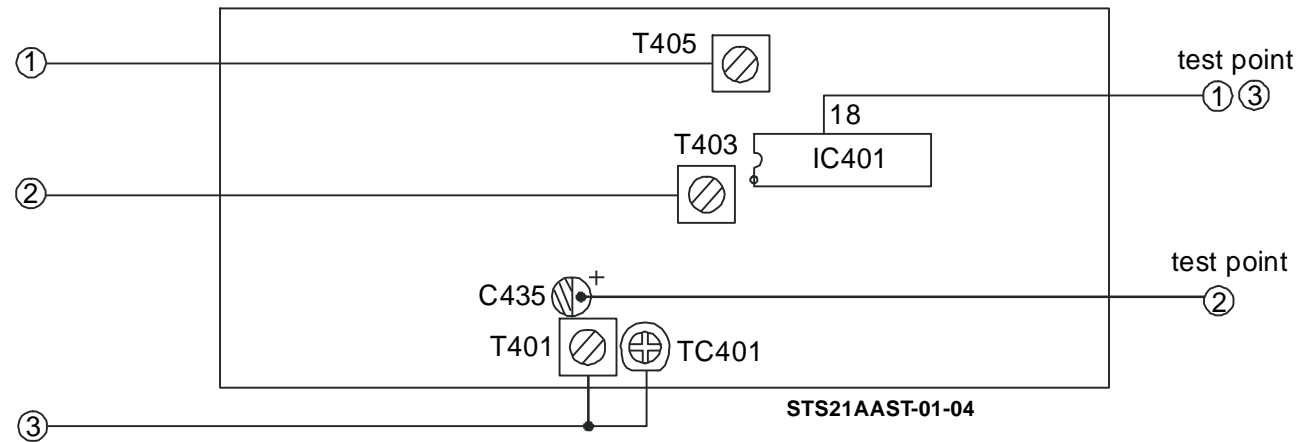
TUNER SECTION



NOTES: 1. All resistance values are indicated in "ohms"(k=1000 ohms. M=1000 Kohms).
 2. All capacitance values are indicated in "µF" (p=10⁻⁶ µF).

ALIGNMENT SET-UP PROCEDURES

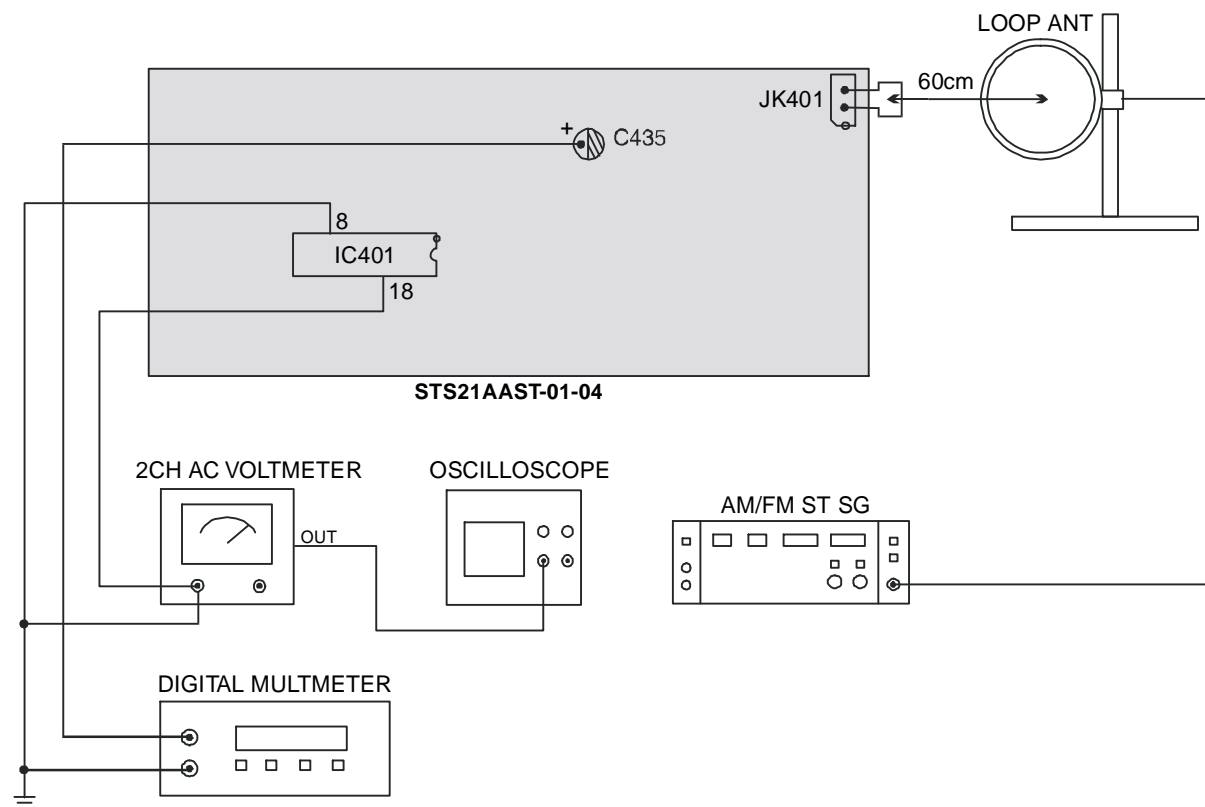
TUNER SECTION



1. AM IF Adjustment
Test point: IC401 (TA2099N) 18Pin
Adjustment location: T405
T405 ----- 450±3kHz
2. MW Frequency Range Adjustment
Test point: C435 (+)
Adjustment location: T403
Set the tuner frequency to be 530kHz.
Adjust T403 so that test point voltage is 1.7±0.05V.
3. MW Tracking Adjustment
Test point: IC401 (TA2099N) 18Pin
Adjustment location: T401, TC401
T401 ----- 600kHz waveform max.
TC401 ----- 1400kHz waveform max.

EQUIPMENT CONNECTION DIAGRAM

MW SECTION



VOLTAGE CHART

CPU SECTION

TEST CONDITION: DVD PLAY

IC301 (TMP87EP26F)

PIN'S NUMBER	1	2	3	4	5	6	7	8	9	10
DVD PLAY	0	2.43	2.15	4.75	0	0.24	0	4.01	4.61	0
PIN'S NUMBER	11	12	13	14	15	16	17	18	19	20
DVD PLAY	0.06	0.06	0.03	3.30	0.03	4.88	0.04	4.92	4.88	4.92
PIN'S NUMBER	21	22	23	24	25	26	27	28	29	30
DVD PLAY	4.92	4.88	0	4.92	4.88	0	3.30	4.92	0.04	4.89
PIN'S NUMBER	31	32	33	34	35	36	37	38	39	40
DVD PLAY	4.88	0.04	0.03	4.88	4.84	0.04	4.88	4.88	0	2.81
PIN'S NUMBER	41	42	43	44	45	46	47	48	49	50
DVD PLAY	4.88	4.02	4.88	4.88	0	2.44	0.16	4.87	0	0
PIN'S NUMBER	51	52	53	54	55	56	57	58	59	60
DVD PLAY	4.92	/	/	/	/	/	/	/	/	/
PIN'S NUMBER	61	62	63	64	65	66	67	68	69	70
DVD PLAY	/	/	/	/	/	/	/	/	/	/
PIN'S NUMBER	71	72	73	74	75	76	77	78	79	80
DVD PLAY	/	/	/	/	/	/	/	/	/	/
PIN'S NUMBER	81	82	83	84	85	86	87	88	89	90
DVD PLAY	/	/	/	/	/	/	/	/	/	/
PIN'S NUMBER	91	92	93	94	95	96	97	98	99	100
DVD PLAY	/	/	/	/	/	/	/	/	/	4.92

TRANSISTOR	Q301(3DG1417)			Q302(DTC114ES)		
	E	C	B	E	C	B
DVD PLAY	0	0.24	0	0	4.21	0

POWER AMPLIFIER SECTION

TEST CONDITION: DVD PLAY

IC606 (BU4551BF)

PIN'S NUMBER	1	2	3	4	5	6	7	8
DVD PLAY	1.18	1.59	3.05	2.08	1.75	1.72	0	0
PIN'S NUMBER	9	10	11	12	13	14	15	16
DVD PLAY	0.16	1.25	0.98	2.47	0.98	0	0	5.95

IC605 (BD3814FV)

PIN'S NUMBER	1	2	3	4	5	6	7	8	9	10
DVD PLAY	0.06	0.13	-6.95	0	0	0.08	6.50	0	0	0
PIN'S NUMBER	11	12	13	14	15	16	17	18	19	20
DVD PLAY	0	0	0	0	0	0	0	0	0	-7.85
PIN'S NUMBER	21	22	23	24	25	26	27	28	29	30
DVD PLAY	0	0	0	0	0	0	0	0	0	0
PIN'S NUMBER	31	32	33	34	35	36	37	38	39	40
DVD PLAY	0	0	0	0	-0.031	0.56	1.23	0	7.32	0

IC601 (TA8216H/TA8258H)

PIN'S NUMBER	1	2	3	4	5	6
DVD PLAY	1.88	2.17	0	2.19	1.89	11.45
PIN'S NUMBER	7	8	9	10	11	12
DVD PLAY	18.1	5.09	34.25	0	7.34	17.85

VOLTAGE CHART - CONTINUED

IC602 (TA8216H/TA8258H)

PIN'S NUMBER	1	2	3	4	5	6
DVD PLAY	2.23	2.53	0	2.51	2.23	11.57
PIN'S NUMBER	7	8	9	10	11	12
DVD PLAY	17.69	5.16	34.6	0	7.39	17.54

IC603 (TA8216H/TA8258H)

PIN'S NUMBER	1	2	3	4	5	6
DVD PLAY	2.34	2.62	0	2.62	2.34	11.53
PIN'S NUMBER	7	8	9	10	11	12
DVD PLAY	17.27	5.08	34.57	0	7.38	17.87

IC506 (LS4558N/BA4558N)

PIN'S NUMBER	1	2	3	4	5	6	7	8
DVD PLAY	5.20	5.20	5.16	0	5.16	5.20	5.20	10.28

IC502 (LS4558N/BA4558N)

PIN'S NUMBER	1	2	3	4	5	6	7	8
DVD PLAY	0	0	0	10.40	0.90	0.91	9.84	10.33

IC803 (BA05ST)

PIN'S NUMBER	1	2	3	4	5
DVD PLAY	4.20	7.86	0	5.00	0

IC802 (BA05ST)

PIN'S NUMBER	1	2	3	4	5
DVD PLAY	2.79	7.80	0	5.00	0

IC801 (LM78L05ACZ)

PIN'S NUMBER	1	2	3
DVD PLAY	5.68	0.60	11.48

TRANSISTOR	Q802(C1145ES)			Q803(C114ES)			Q804(A123E)		
	E	C	B	E	C	B	E	C	B
DVD PLAY	0	2.08	0.13	0	0	2.08	14.18	13.80	0
TRANSISTOR	Q805(3DG1815)			Q806(B1566)			Q807(3CG1015)		
	E	C	B	E	C	B	E	C	B
DVD PLAY	9.95	13.41	10.47	14.11	10.65	13.56	14.09	13.65	13.08
TRANSISTOR	Q808(C8050)			Q809(3CA8550)			Q815(A1015)		
	E	C	B	E	C	B	E	C	B
DVD PLAY	18.90	18.80	18.23	11.35	11.37	12.03	5.61	0	5.65
TRANSISTOR	Q812(A123)			Q813(3DG1815)			Q814(B1566)		
	E	C	B	E	C	B	E	C	B
DVD PLAY	14.02	14.04	0	11.50	13.55	12.05	14.16	12.21	13.43

MPEG+SERVO SECTION

TEST CONDITION: DVD PLAY

U9 (TC74HCU04AF)

PIN'S NUMBER	1	2	3	4	5	6	7
DVD PLAY	2.28	2.37	2.37	2.42	2.42	2.42	0
PIN'S NUMBER	8	9	10	11	12	13	14
DVD PLAY	2.41	2.42	2.42	2.42	2.42	2.42	4.85

VOLTAGE CHART - CONTINUED

U10 (WM8772EDS)

PIN'S NUMBER	1	2	3	4	5	6	7	8	9	10
DVD PLAY	0	1.55	1.63	1.64	3.29	0	1.07	1.09	0.92	1.08
PIN'S NUMBER	11	12	13	14	15	16	17	18	19	20
DVD PLAY	0	3.29	0	0	2.16	0	4.34	2.16	2.15	2.15
PIN'S NUMBER	21	22	23	24	25	26	27	28		
DVD PLAY	2.16	2.16	2.16	2.16	2.16	2.17	0	4.34		

U11 (NJM4580E/LS4580F)

PIN'S NUMBER	1	2	3	4	5	6	7	8
DVD PLAY	0	0	0	-9.88	0	0	0	10.72

U12 (NJM4580E/LS4580F)

PIN'S NUMBER	1	2	3	4	5	6	7	8
DVD PLAY	0	0	0	-9.86	0	0	0	10.73

U13 (NJM4580E/LS4580F)

PIN'S NUMBER	1	2	3	4	5	6	7	8
DVD PLAY	0	0	0	-9.88	0	0	0	10.73

U14 (ZR36707TQC)

PIN'S NUMBER	1	2	3	4	5	6	7	8
DVD PLAY	0.98	0.99	2.50	2.50	2.50	2.50	3.56	3.58
PIN'S NUMBER	9	10	11	12	13	14	15	16
DVD PLAY	2.56	2.57	2.57	2.56	2.57	2.57	2.58	2.57
PIN'S NUMBER	17	18	19	20	21	22	23	24
DVD PLAY	2.64	2.64	4.97	2.50	4.95	3.69	0	0.18
PIN'S NUMBER	25	26	27	28	29	30	31	32
DVD PLAY	0	3.26	0	2.49	2.06	2.09	2.84	0.25
PIN'S NUMBER	33	34	35	36	37	38	39	40
DVD PLAY	0	0	3.36	1.69	3.31	1.71	1.69	1.72
PIN'S NUMBER	41	42	43	44	45	46	47	48
DVD PLAY	1.79	0.53	3.99	4.02	3.31	3.26	0	0
PIN'S NUMBER	49	50	51	52	53	54	55	56
DVD PLAY	1.47	0.15	0	2.31	2.36	3.38	3.37	2.54
PIN'S NUMBER	57	58	59	60	61	62	63	64
DVD PLAY	2.20	4.96	4.19	4.19	2.94	2.94	3.41	1.39

U15 (BA5983FM)

PIN'S NUMBER	1	2	3	4	5	6	7	8	9	10
DVD PLAY	1.64	1.64	1.65	1.79	1.64	1.65	1.64	0	3.14	4.80
PIN'S NUMBER	11	12	13	14	15	16	17	18	19	20
DVD PLAY	2.43	2.42	2.12	2.68	3.08	1.14	2.17	2.01	4.80	3.14
PIN'S NUMBER	21	22	23	24	25	26	27	28		
DVD PLAY	0	1.64	1.65	1.65	1.89	1.65	1.64	4.81		

U17 (LD1117S33C)

PIN'S NUMBER	1	2	3	4
DVD PLAY	0	3.31	4.85	3.31

U18 (LD1117S33C)

PIN'S NUMBER	1	2	3	4
DVD PLAY	0	3.31	4.84	3.31

VOLTAGE CHART - CONTINUED

U19 (LD1117S)

PIN'S NUMBER	1	2	3	4
DVD PLAY	0.57	1.82	3.26	1.82

U2 (ZR36768PQC)

PIN'S NUMBER	1	2	3	4	5	6	7	8	9	10
DVD PLAY	4.68	3.29	0	1.67	1.99	2.54	1.65	1.98	1.17	1.38
PIN'S NUMBER	11	12	13	14	15	16	17	18	19	20
DVD PLAY	1.48	0	2.39	1.42	1.69	1.16	1.38	0.97	1.23	0
PIN'S NUMBER	21	22	23	24	25	26	27	28	29	30
DVD PLAY	3.29	1.09	3.29	1.28	1.70	1.57	1.51	0	0	1.05
PIN'S NUMBER	31	32	33	34	35	36	37	38	39	40
DVD PLAY	0	0	0.32	1.91	1.34	1.64	1.18	1.46	2.36	3.29
PIN'S NUMBER	41	42	43	44	45	46	47	48	49	50
DVD PLAY	1.30	2.15	3.15	2.37	2.14	3.15	3.29	3.14	0	3.29
PIN'S NUMBER	51	52	53	54	55	56	57	58	59	60
DVD PLAY	0	3.29	0.10	0.10	0.10	0.09	0.11	3.29	0.10	0.09
PIN'S NUMBER	61	62	63	64	65	66	67	68	69	70
DVD PLAY	0.11	0	0.11	1.71	2.51	0	0.09	3.29	0	3.26
PIN'S NUMBER	71	72	73	74	75	76	77	78	79	80
DVD PLAY	0.11	0	3.26	3.26	3.28	3.29	3.27	0	0	1.58
PIN'S NUMBER	81	82	83	84	85	86	87	88	89	90
DVD PLAY	3.29	1.50	0	0.75	1.59	0.92	3.29	1.14	1.17	0.94
PIN'S NUMBER	91	92	93	94	95	96	97	98	99	100
DVD PLAY	0	1.96	1.70	1.50	0	1.15	3.29	0.72	1.28	0
PIN'S NUMBER	101	102	103	104	105	106	107	108	109	110
DVD PLAY	0	1.55	1.10	1.43	3.29	0	0	0	3.29	0
PIN'S NUMBER	111	112	113	114	115	116	117	118	119	120
DVD PLAY	1.06	1.08	1.08	0	0	1.64	0	1.51	3.29	0
PIN'S NUMBER	121	122	123	124	125	126	127	128	129	130
DVD PLAY	0	0	0	0	0	0	3.29	3.29	0	3.41
PIN'S NUMBER	131	132	133	134	135	136	137	138	139	140
DVD PLAY	3.22	0	3.29	0	3.26	4.66	3.26	3.29	1.70	1.82
PIN'S NUMBER	141	142	143	144	145	146	147	148	149	150
DVD PLAY	1.48	1.49	3.29	0	0	0	0	0	3.29	0
PIN'S NUMBER	151	152	153	154	155	156	157	158	159	160
DVD PLAY	0	3.29	3.01	0	3.29	0	0.81	0.81	3.22	0.81
PIN'S NUMBER	161	162	163	164	165	166	167	168	169	170
DVD PLAY	1.28	1.25	0	0	0	0	0.71	3.24	0.82	0
PIN'S NUMBER	171	172	173	174	175	176	177	178	179	180
DVD PLAY	3.02	1.19	1.19	0	3.24	1.65	1.78	1.61	1.15	0.15
PIN'S NUMBER	181	182	183	184	185	186	187	188	189	190
DVD PLAY	1.74	1.10	1.72	1.69	1.10	0	0	0	0	0
PIN'S NUMBER	191	192	193	194	195	196	197	198	199	200
DVD PLAY	0	1.70	0	0	0	3.26	3.24	0.03	0.03	0.03
PIN'S NUMBER	201	202	203	204	205	206	207	208		
DVD PLAY	4.65	0	3.31	3.29	0	0.18	3.24	0.20		

U1 (TL3472CD/TK3472)

PIN'S NUMBER	1	2	3	4	5	6	7	8
DVD PLAY	4.78	0.88	2.00	0	0.82	2.10	0.18	4.81

VOLTAGE CHART - CONTINUED

U5 (SST39VF800A)

PIN'S NUMBER	1	2	3	4	5	6	7	8	9	10
DVD PLAY	2.92	2.33	2.71	1.88	2.55	2.56	2.35	2.36	0	0
PIN'S NUMBER	11	12	13	14	15	16	17	18	19	20
DVD PLAY	3.29	3.29	3.31	3.31	0	0.33	1.30	2.38	1.40	1.36
PIN'S NUMBER	21	22	23	24	25	26	27	28	29	30
DVD PLAY	1.53	2.28	1.08	2.99	3.01	3.04	0	3.03	1.27	1.58
PIN'S NUMBER	31	32	33	34	35	36	37	38	39	40
DVD PLAY	1.42	2.03	0.69	1.17	1.84	1.36	3.31	1.23	1.66	1.49
PIN'S NUMBER	41	42	43	44	45	46	47	48		
DVD PLAY	0.98	1.20	1.44	1.70	1.29	0	3.31	1.96		

U3 (W981616BH/K4S161622D)

PIN'S NUMBER	1	2	3	4	5	6	7	8	9	10
DVD PLAY	3.28	1.60	1.58	0	1.55	1.29	3.28	2.03	1.18	0
PIN'S NUMBER	11	12	13	14	15	16	17	18	19	20
DVD PLAY	0.90	0.58	3.28	0	3.27	3.27	3.25	3.24	0.13	2.52
PIN'S NUMBER	21	22	23	24	25	26	27	28	29	30
DVD PLAY	0.12	0.12	0.12	0.12	3.28	0	0.12	0.12	0.12	0.14
PIN'S NUMBER	31	32	33	34	35	36	37	38	39	40
DVD PLAY	0.10	0	0	3.28	1.61	0	0	3.28	1.52	1.48
PIN'S NUMBER	41	42	43	44	45	46	47	48	49	50
DVD PLAY	0	1.37	1.17	3.28	1.79	0.89	0	0.51	0.87	0

U4 (W981616BH/K4S161622D)

PIN'S NUMBER	1	2	3	4	5	6	7	8	9	10
DVD PLAY	3.28	1.60	1.58	0	1.55	1.29	3.28	2.03	1.18	0
PIN'S NUMBER	11	12	13	14	15	16	17	18	19	20
DVD PLAY	0.90	0.58	3.28	0	3.27	3.27	3.25	3.24	0.13	2.52
PIN'S NUMBER	21	22	23	24	25	26	27	28	29	30
DVD PLAY	0.12	0.12	0.12	0.12	3.28	0	0.12	0.12	0.12	0.14
PIN'S NUMBER	31	32	33	34	35	36	37	38	39	40
DVD PLAY	0.10	0	0	3.28	1.61	0	0	3.28	1.52	1.48
PIN'S NUMBER	41	42	43	44	45	46	47	48	49	50
DVD PLAY	0	1.37	1.17	3.28	1.79	0.89	0	0.51	0.87	0

TUNER SECTION

TEST CONDITION: SET AM/FM ON ONE FREQUENCY

IC401 (TA2099N)

PIN'S NUMBER	1	2	3	4	5	6	7	8
AM	1.97	2.72	0.11	1.97	1.34	6.37	0.48	0
FM	1.95	2	0	2	0.97	7.43	1.29	0
PIN'S NUMBER	9	10	11	12	13	14	15	16
AM	4.96	0.04	5.68	0.76	0.77	0.11	4.89	4.92
FM	4.98	4	4.13	0.77	0.77	0	0.52	0.65
PIN'S NUMBER	17	18	19	20	21	22	23	24
AM	1.19	0.48	2.05	1.81	1.97	1.97	6.43	1.97
FM	1.19	1.32	1.99	2.44	1.97	1.97	7.40	1.97

IC403 (BU1923F/BU1924F)

PIN'S NUMBER	1	2	3	4	5	6	7	8
FM	2.13	2.41	2.30	2.27	4.30	0	0	2.29
PIN'S NUMBER	9	10	11	12	13	14	15	16
FM	0	0	0	4.30	0	2.06	0	2.05

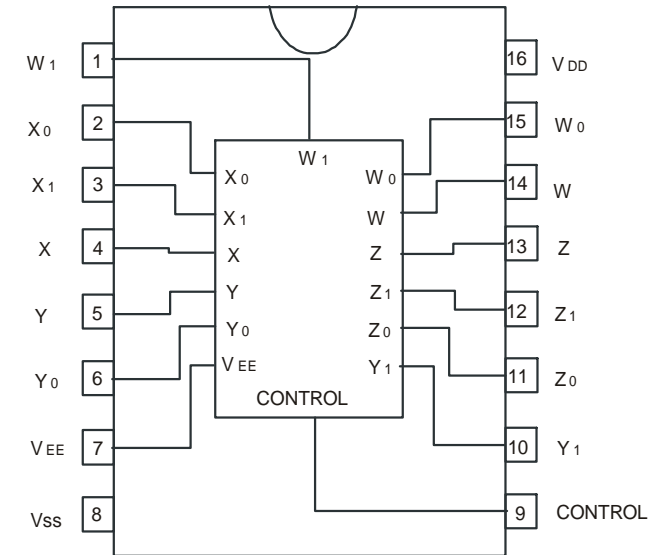
VOLTAGE CHART - CONTINUED

IC402 (TC9257F)

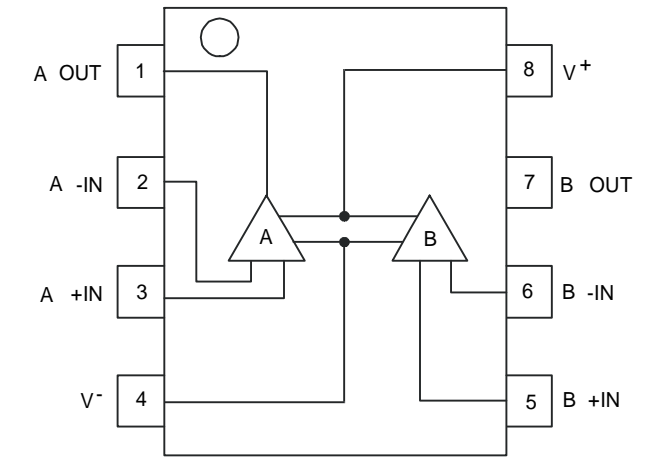
PIN'S NUMBER	1	2	3	4	5	6	7	8	9	10
AM	2.45	2.47	4.29	4.29	0.01	0.14	0.02	0.11	0.02	0.02
FM	2.38	2.41	4.97	4.97	0	0.14	0	0.11	0	0
PIN'S NUMBER	11	12	13	14	15	16	17	18	19	20
AM	4.97	4.97	0	2.43	0	2.44	1.44	1.37	1.15	1.14
FM	0	0	0	2.36	0	2.36	0.17	0.17	0.76	1.08

IC BLOCK DIAGRAMS & IC PINS DESCRIPTION

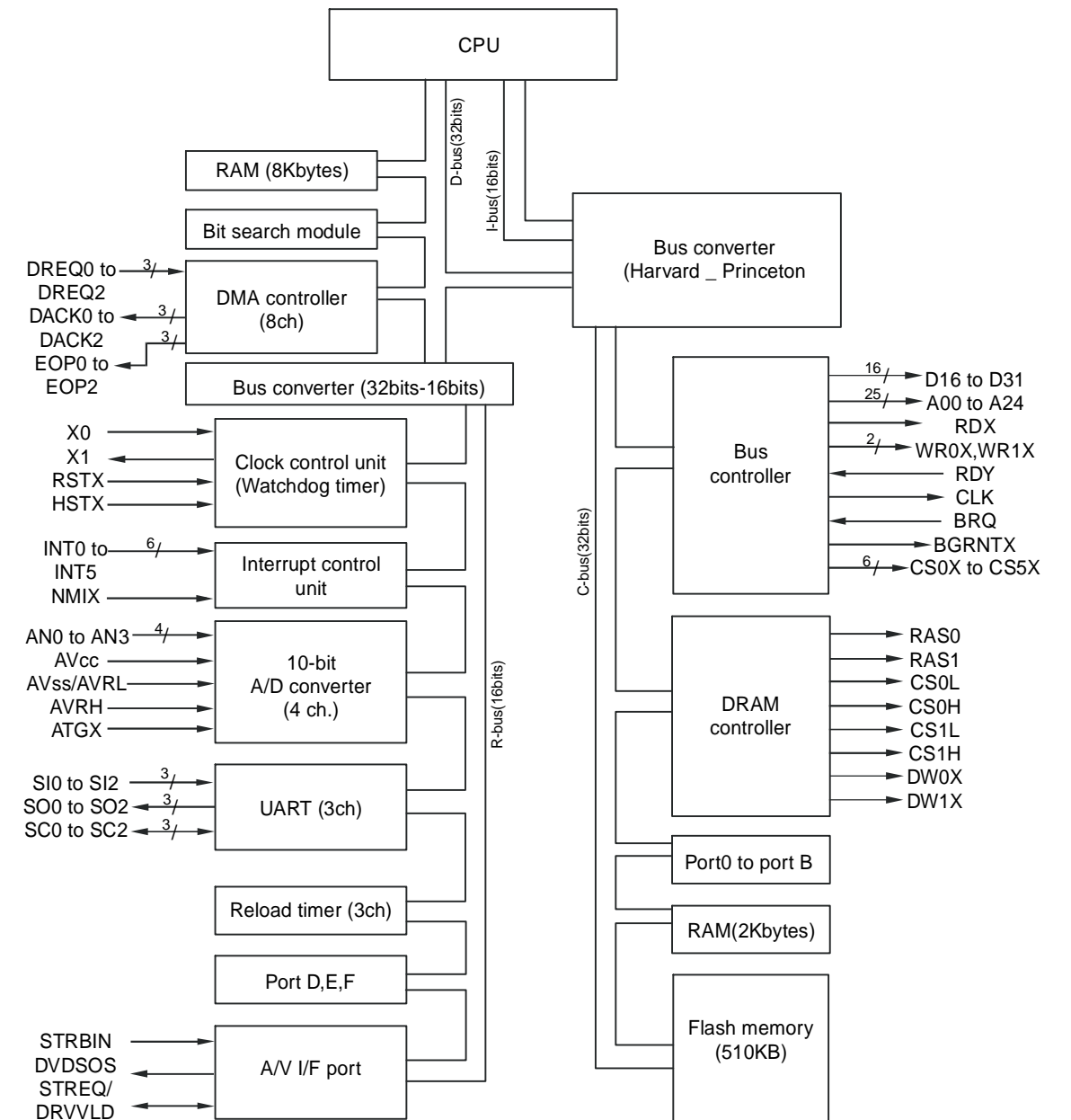
IC606 BU4551BF



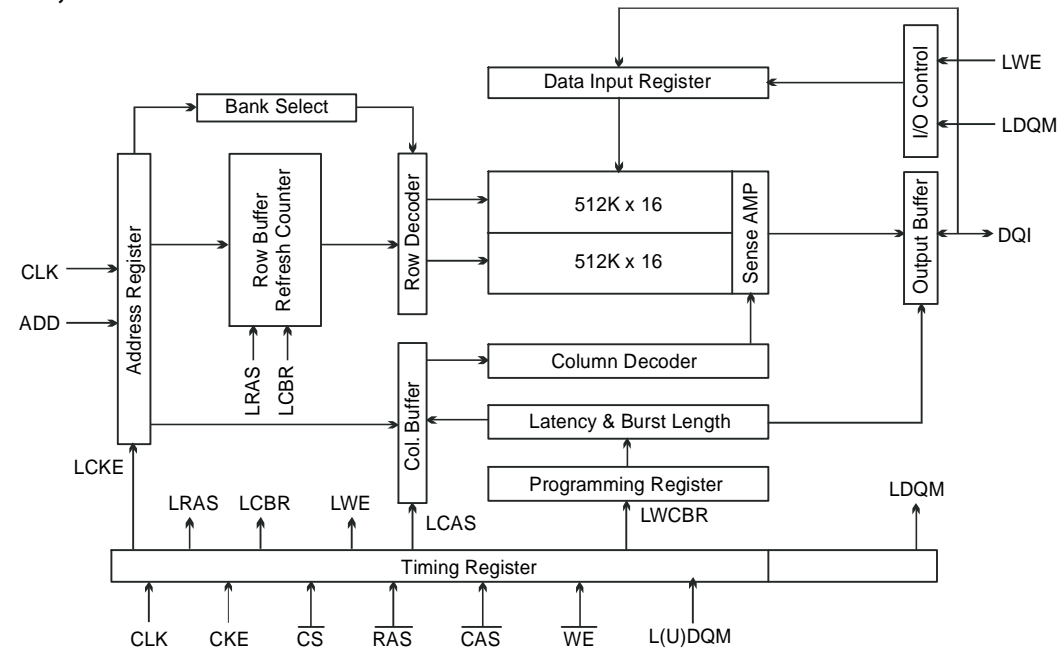
U11, U12, U13 LS4580F



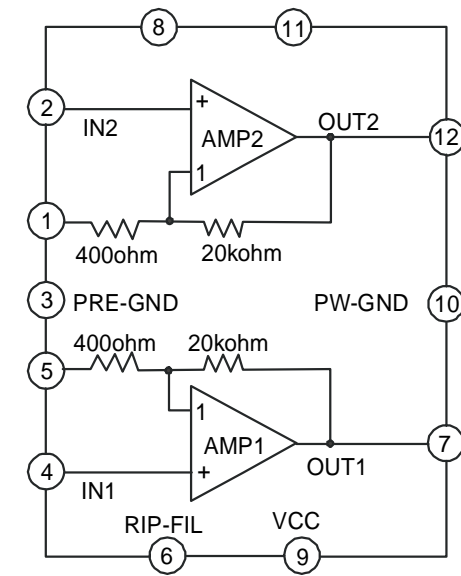
U14 ZR36707TQC



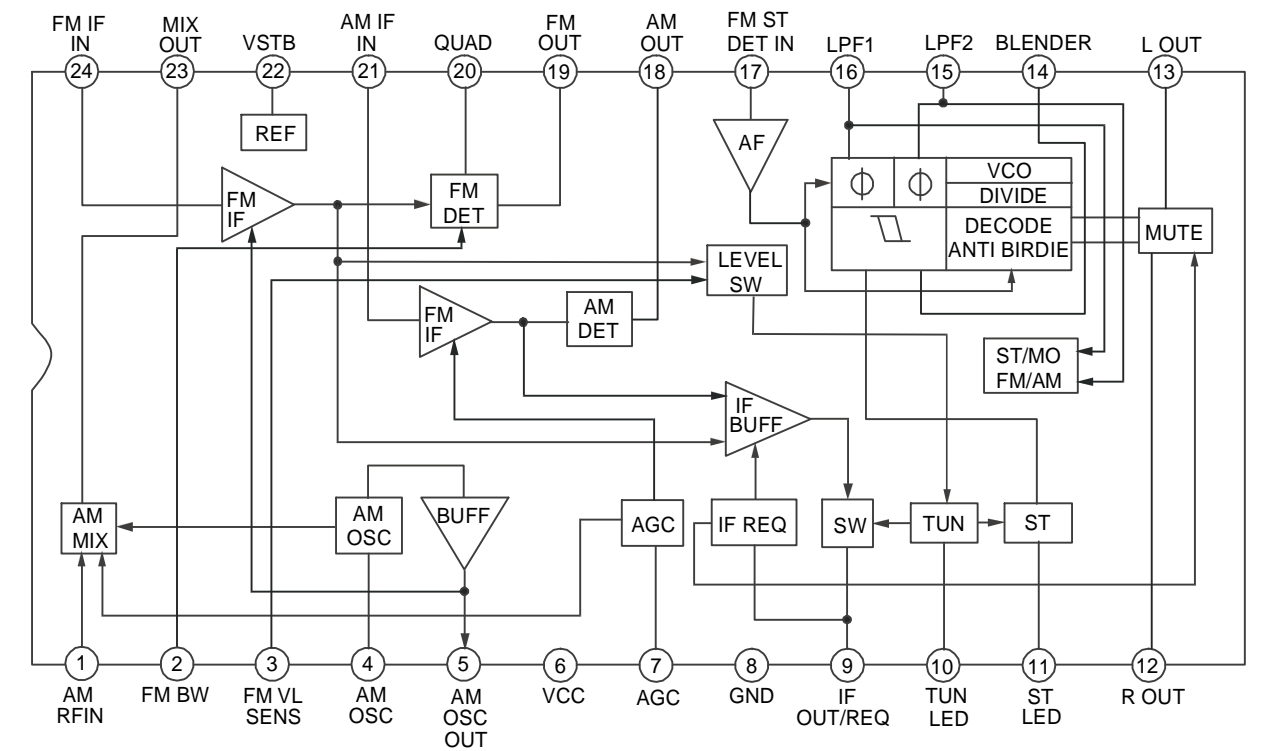
U3, U4 W981616BH/K4S161622D



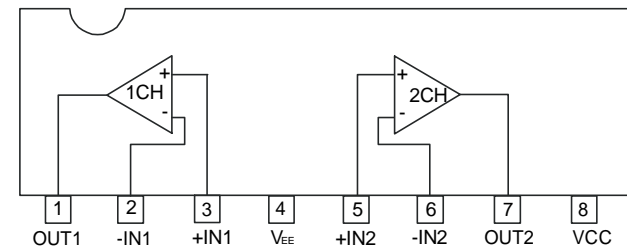
IC601, IC602, IC603 TA8216H/TA8258H



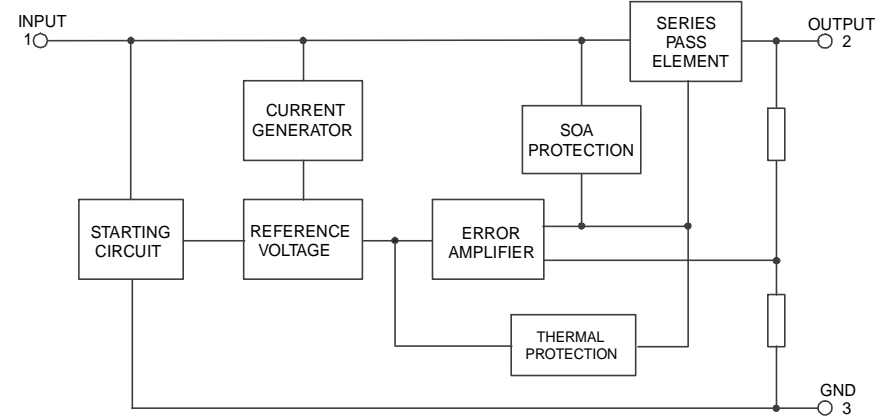
IC401 TA2099N



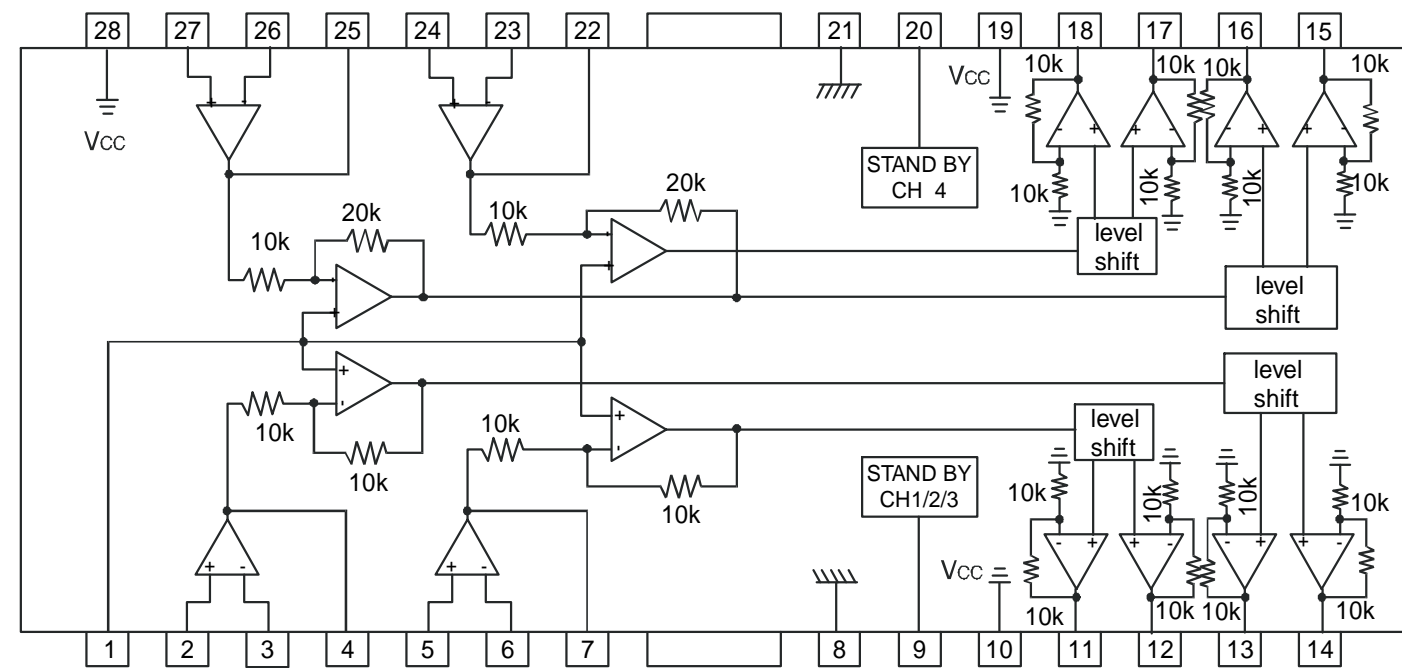
IC502, IC506 BA4558N/LS4558N



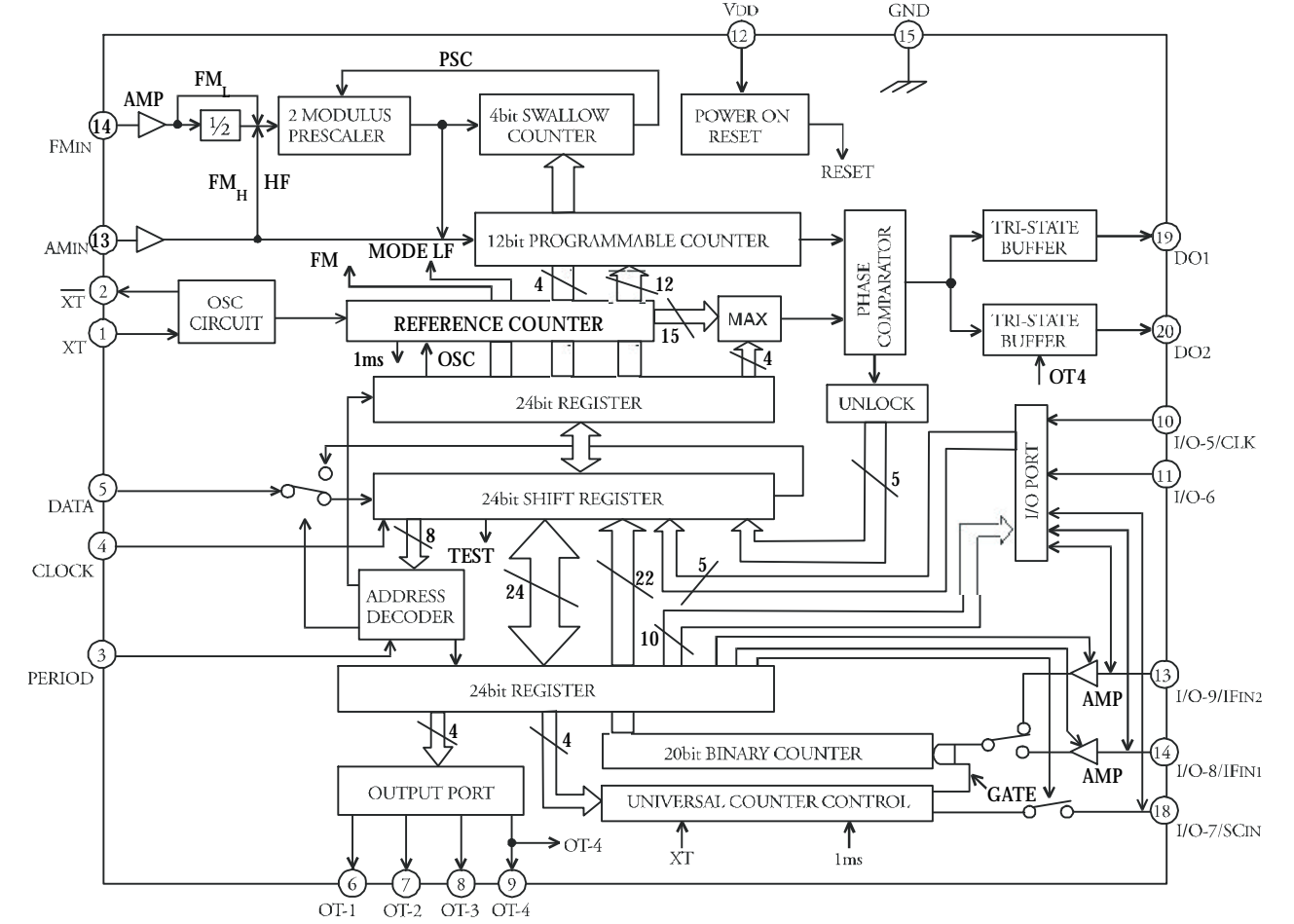
IC801 LM78L05ACZ



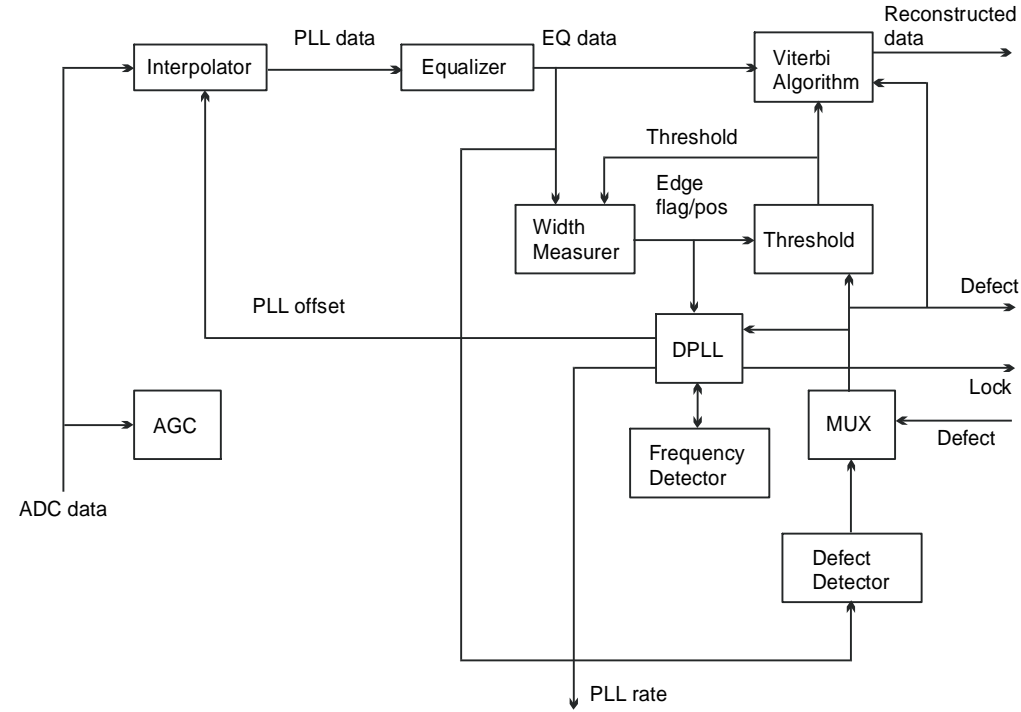
U15 BA5983FM



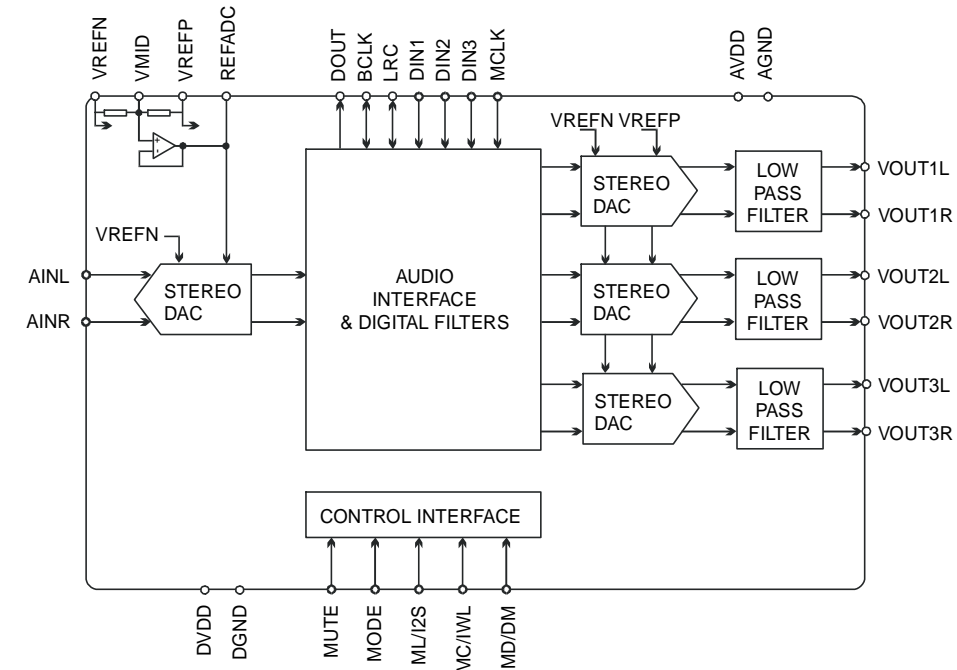
IC402 TC9257F



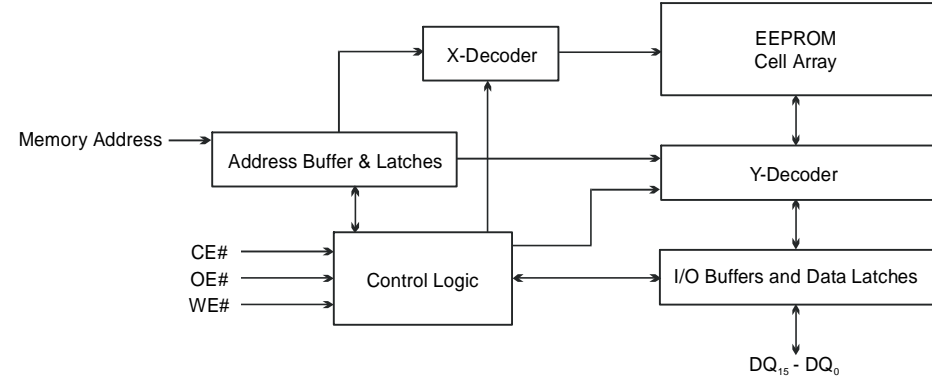
U2 ZR36708PQC



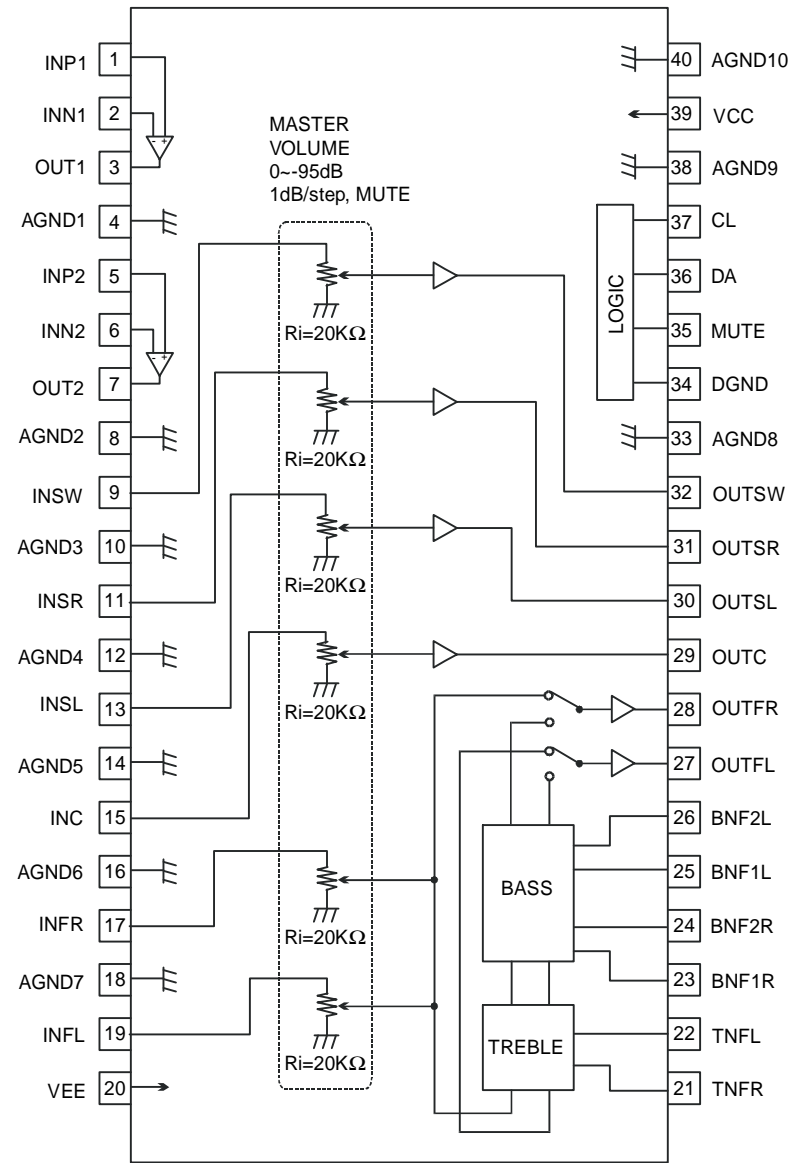
U10 WM8772EDS



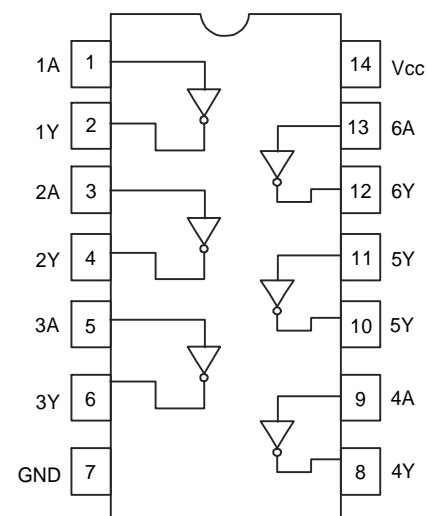
U5 SST39VF800A



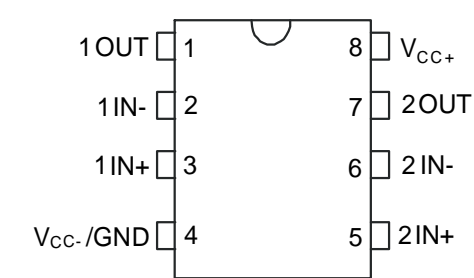
IC605 BD3814FV



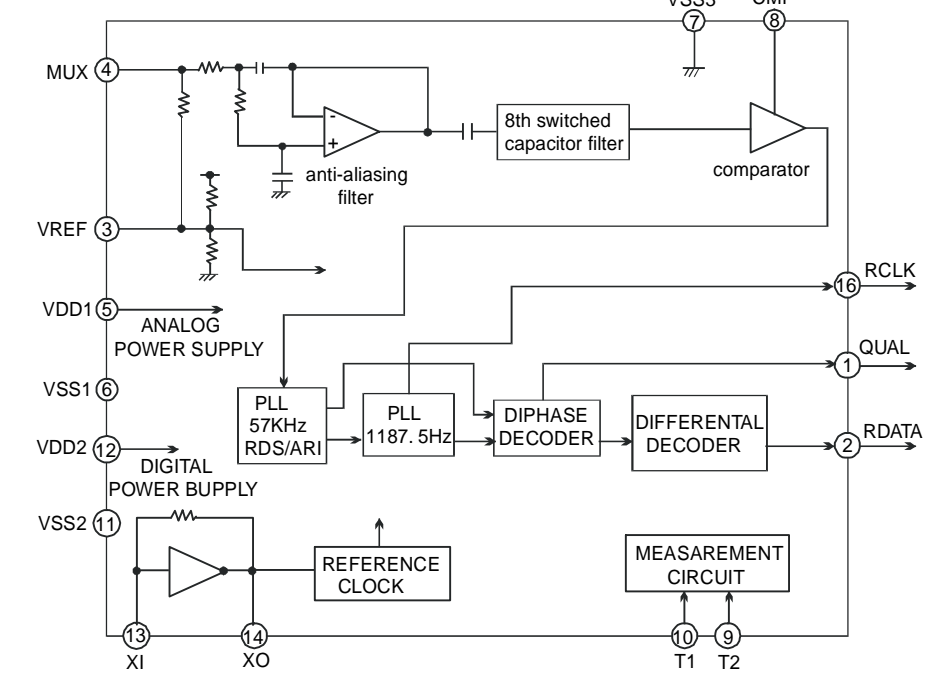
U9 TC74HC04AF



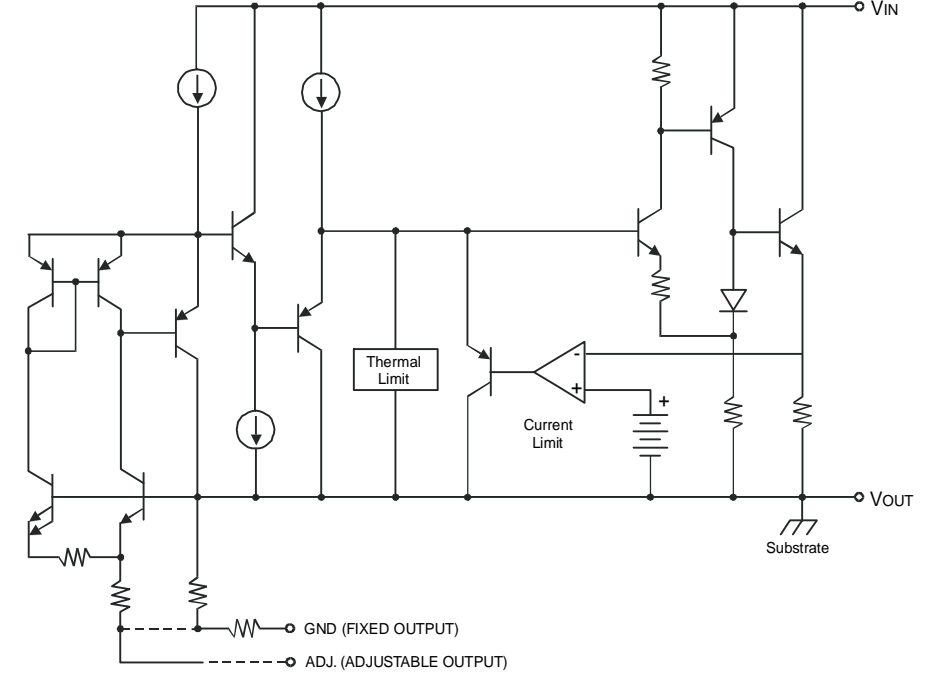
U1 TL3472CD/TK3742



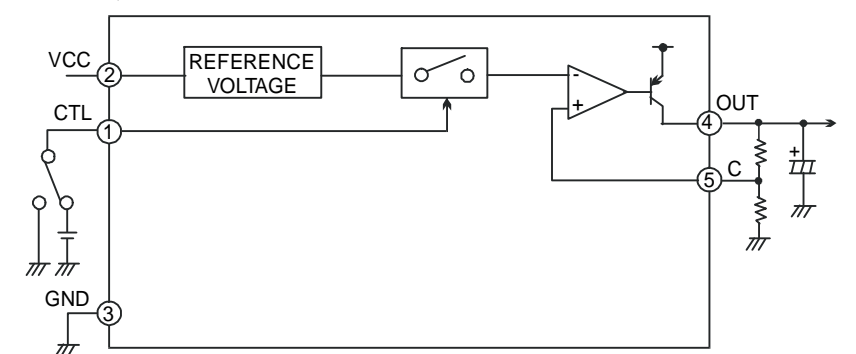
IC403 BU1923F/BU1924F



**U17, U18 LD1117S33C
U19 LD1117S**



IC802, IC803 BA05ST



IC301 TMP87EP26F PINS DESCRIPTION

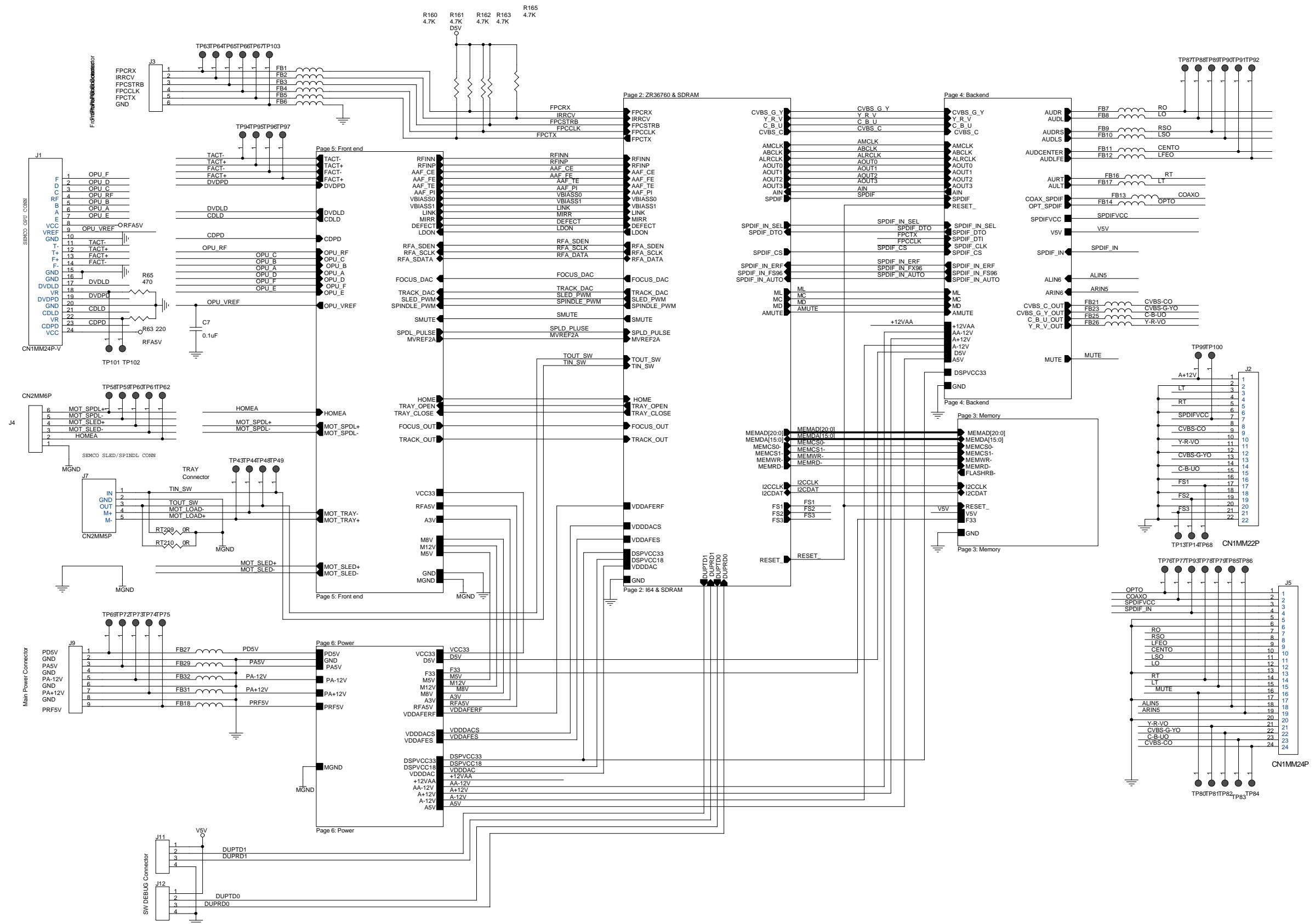
Pin	Port Name	Pin Name	Description
1	VSS	VSS	Ground
2	XOUT	XOUT	8MHz
3	XIN	XIN	8MHz
4	/RESET	RESET	
5	P2.2 (XTOUT)	CS	CS to Display driver
6	P2.1 (XTIN)	CLK	Clock to Display driver
7	TEST	TEST	
8	P2.0 (INT5/STOP)	STOP*	Power Down detector
9	P4.0 (INT3/TC3)	IR*	Remote controller
10	P4.1 (PWM/PDO)	CLKSHIFT	Clock shift on tuner
11	P4.2 (/SCK1)	RDSCLK*	RDS Clock input pin
12	P4.3 (SI1)	REDSDAT*	RDS Data input pin
13	P4.4 (SO1)	Tuner-/DVD	Selection of Tuner or DVD
14	P4.5 (/SCK2)	DVD-VCLK*	DVD VFD Clock pin
15	P4.6 (SI2)	DVD-VDAT*	DVD VFD Data pin
16	P4.7 (SO2)		
17	P0.0	/OE	373 OE pin
18	P0.1	LE	373 LE pin
19	P0.2	DOUT	Data input from Display Driver
20	P0.3	PLL-CLK	Tuner Clock pin
21	P0.4	PLL-PERIOD	Tuner Period pin
22	P0.5	STEREO	Tuner STEREO input pin
23	P0.6	DVD-ACT	(Not used)
24	P0.7	DVD-IR	IR signal to DVD
25	P1.0 (/INT0)	SHORT-CIRCUIT	Speaker Short circuit detect
26	P1.1 (INT1)		
27	P1.2 (INT2/TC1)	DVD-VCS	DVD CS to Display driver
28	P1.3 (DVO)	CH-MUTE	
29	P1.4 (PPG)	AUX	Channel Mute pin
30	P1.5 (TC2)	DVD-PWR	AUX Channel Selection
31	P1.6	MAIN-PWR	DVD Power control pin
32	P1.7	SYSMUTE	Main Power control pin
33	P3.0	VRDDIN	System Mute
34	P3.1	VFDCS	Data output to Display driver
35	P3.2	VFDCLK	Clock to Display driver
36	P3.3	PLL-DATA	Tuner Data pin
37	P3.4	SCL	I2C Clock pin for Volume IC
38	P3.5	SDA	I2C Data pin for Volume IC
39	P3.6	CH-MUTE	Channel mute pin
40	P5.0 (AIN0)	COUNTRY	Tuner Country selection
41	P5.1 (AIN1)	SIGNAL-DET	Tuner Signal Strength detection
42	P5.2 (AIN2)	JOG-VOL+	Jogger Volume +
43	P5.3 (AIN3)	JOG-VOL-	Jogger Volume -
44	P5.4 (AIN4)	KEY0	Keyboard
45	P5.5 (AIN5)		
46	P5.6 (AIN6)	AM-STEP	Tuner AM Step selection
47	P5.7 (AIN7)		
48	VAREF	VAREF	Analog VCC
49	BOOT	BOOT (H-Program)	Program Data to EEPROM
50	VSS	VSS	Ground
51	VDD	VDD	+5V
52	P8.0 (SEG39)		
53	P8.1 (SEG38)		

IC301 TMP87EP26F PINS DESCRIPTION - CONTINUED

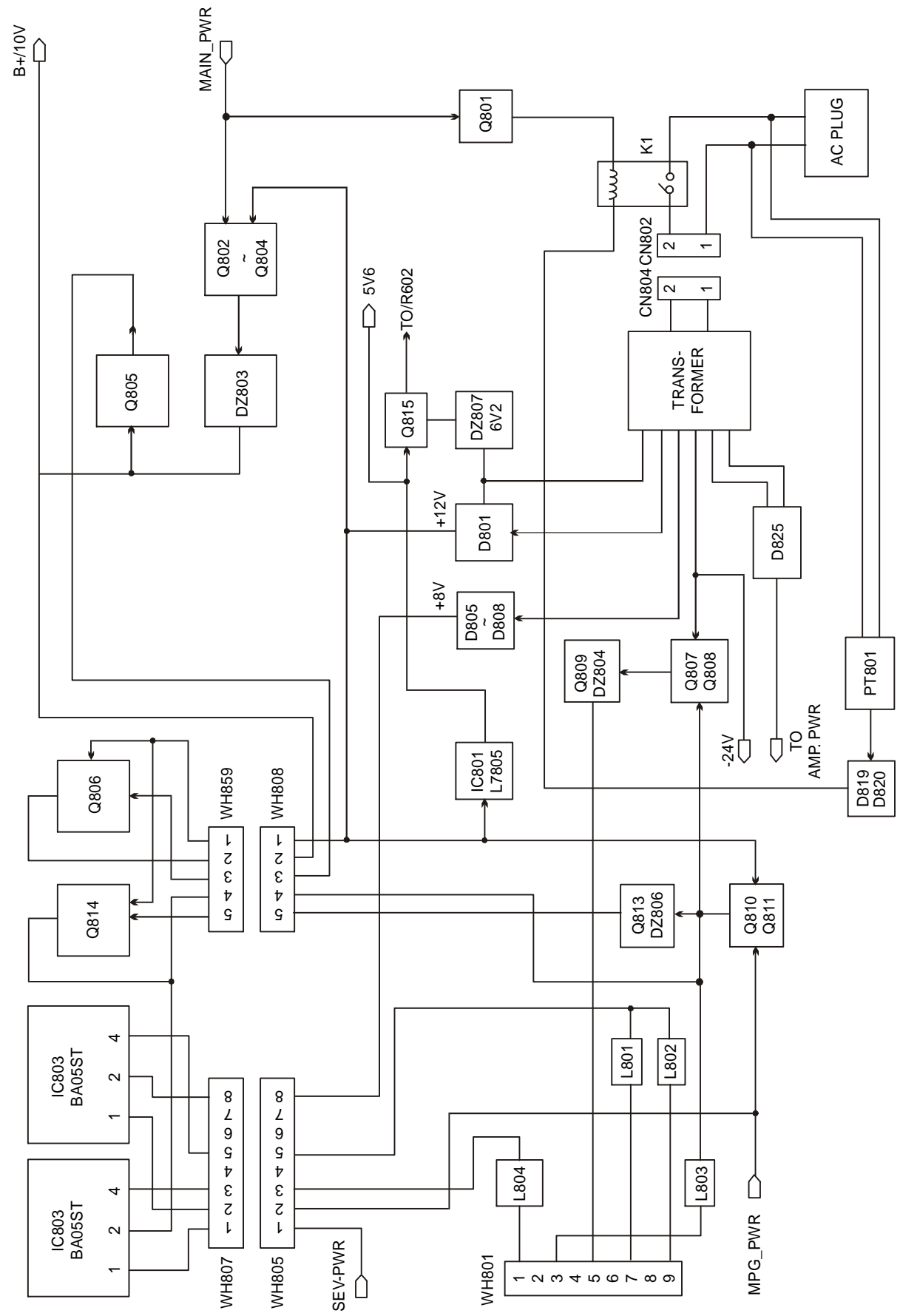
Pin	Port Name	Pin Name	Description
54	P8.2 (SEG37)		
55	P8.3 (SEG36)		
56	P8.4 (SEG35)		
57	P8.5 (SEG34)		
58	P8.6 (SEG33)		
59	P8.7 (SEG32)		
60	P7.0 (SEG31)		
61	P7.1 (SEG30)		
62	P7.2 (SEG29)		
63	P7.3 (SEG28)		
64	P7.4 (SEG27)		
65	P7.5 (SEG26)		
66	P7.6 (SEG25)		
67	P7.7 (SEG24)		
68	P6.0 (SEG23)		
69	P6.1 (SEG22)	RVS_SW	3-CD Tokyo Pigeon Changer
70	P6.2 (SEG21)	FWD_SW	3-CD Tokyo Pigeon Changer
71	P6.3 (SEG20)	OPCL_SW	3-CD Tokyo Pigeon Changer
72	P6.4 (SEG19)	CN1_SW	3-CD Tokyo Pigeon Changer
73	P6.5 (SEG18)	CN2_SW	3-CD Tokyo Pigeon Changer
74	P6.6 (SEG17)	HOME_SW	3-CD Tokyo Pigeon Changer
75	P6.7 (SEG16)	EXTRA_SW	3-CD Tokyo Pigeon Changer
76	P9.0 (SEG15)	CMF	3-CD Tokyo Pigeon Changer
77	P9.1 (SEG14)	DMR	3-CD Tokyo Pigeon Changer
78	P9.2 (SEG13)	DMF	3-CD Tokyo Pigeon Changer
79	P9.3 (SEG12)	DMR	3-CD Tokyo Pigeon Changer
80	SEG11		
81	SEG10		
82	SEG9		
83	SEG8		
84	SEG7		
85	SEG6		
86	SEG5		
87	SEG4		
88	SEG3		
89	SEG2		
90	SEG1		
91	SEG0		
92	COM3		
93	COM2		
94	COM1		
95	COM0		
96	VLC	LCD Power	
97	PD0		
98	PD1		
99	PD2		
100	VDD	VDD	

BLOCK DIAGRAMS

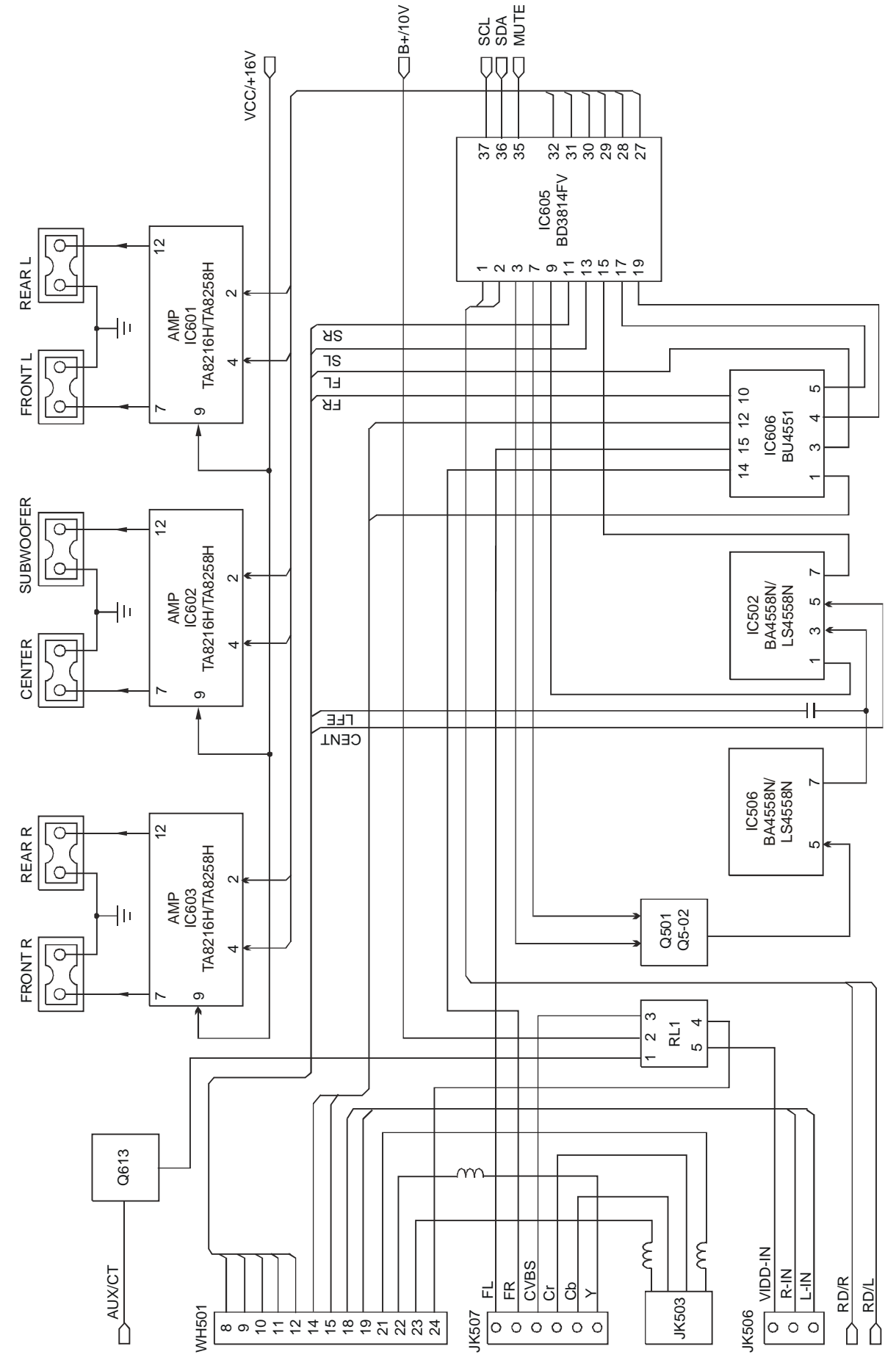
MPEG+SREVO SECTION



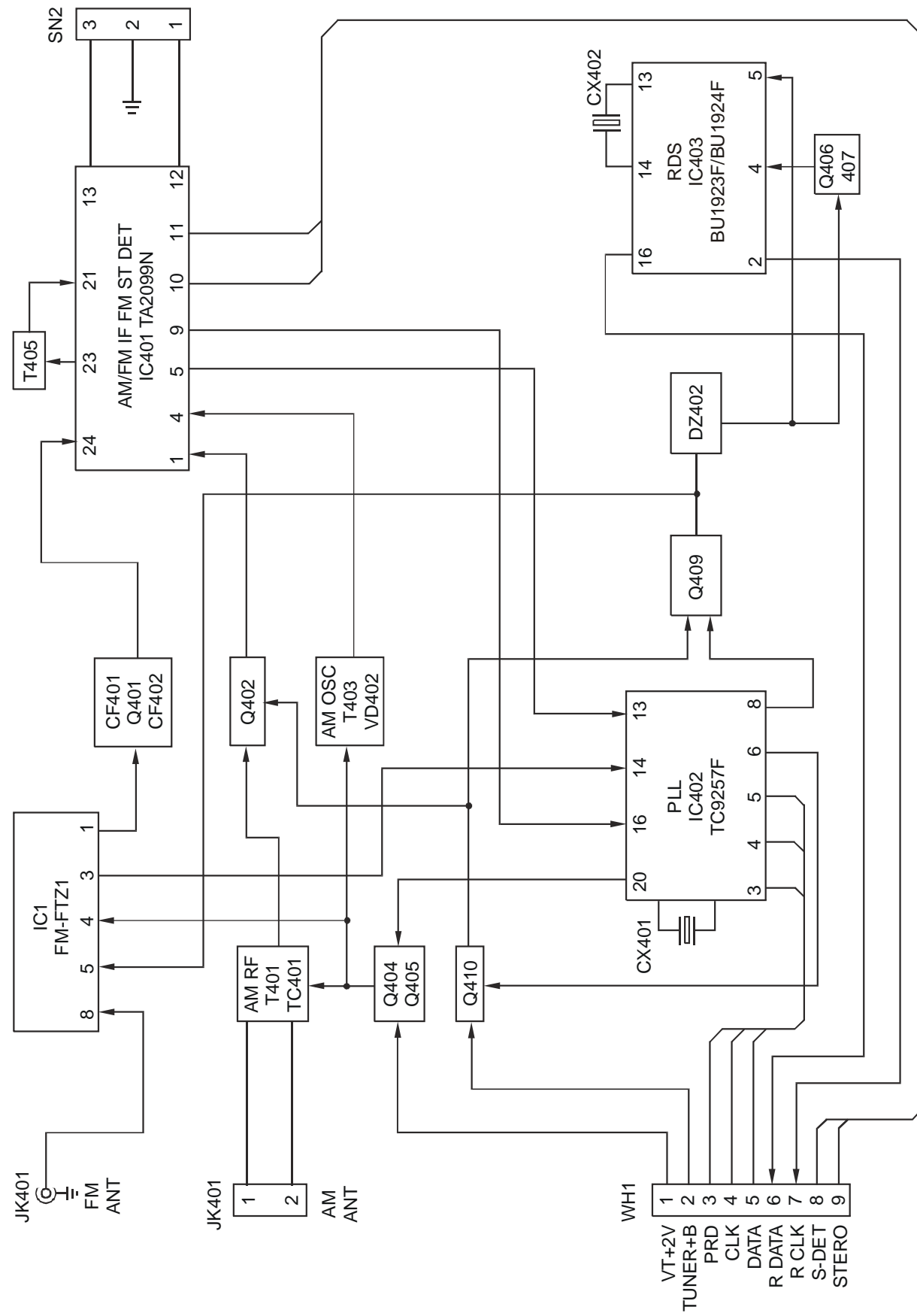
POWER SUPPLY SECTION



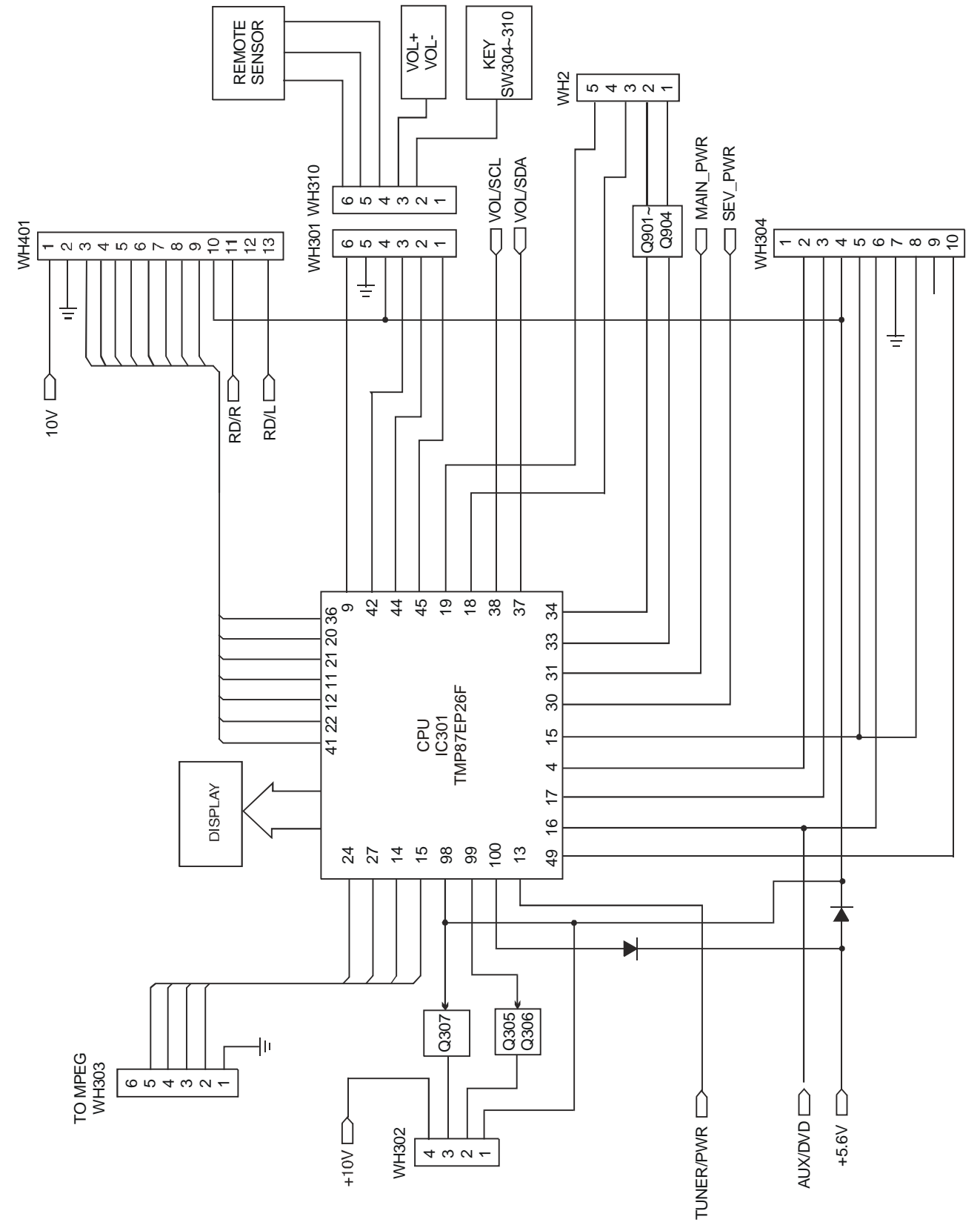
POWER AMPLIFIER SECTION



TUNER SECTION



CPU SECTION



EXPLODED DRAWING PARTS LIST

Ref. No.	Description	Mfr's Part No.	Qty.
MAIN UNIT			
1	DVD DOOR, CNS-0360 (ABS) CAV:2, w/SPY & PNT	500-ST7702-xxx	1
2	FRONT LENS (8 DIGIT) 3mm PSEUDO MIRROR, w/PNT, w/DOU. TAPE	512-ST7735-xxx	1
3	RUBBER FOOT, 10x10x2.0mm BLACK (NC RUBBER), w/SELF-ADHESIVE	700-630141-000	2
4	FRONT PANEL (8 DIGIT), MOLD CNS-0360 (HIPS), CAV.1, w/SPY & PNT	500-ST7712-xxx	1
5	CONTROL KNOB SET, MOLD CNS-0360 (ABS) CAV:2, w/SPY (7 PCS/KIT)	510-ST7704-xxx	1
6	PANEL SUPPORT BRACKET (ABS)	505-ST7709-000	1
7	BOTTOM CABINET, T=0.8mm (EG STEEL) (FAN HOLE)	600-ST7718-000	1
8	MAIN PCB POST, MOLDED BLACK, CAV.6 (ABS)	503-ST7710-000	6
9	MAIN PCB STS71AAST-01-01	033-ST71A-300	1
10	MPEG PCB POST, CAV.4 (ABS)	503-ST7711-000	4
11	(F550-266422-000) MOUNTING BRACKET, MOLDED NATURAL, CAV.8 (ABS)	505-266422-000	1
12	TUNER PCB STS21AAST-01-04	033-ST21A-103	1
13	LCD-P-08D-8716SM040P 87x16x2.7mm, JT4-03061/SDT-DA275-TP-1 TRANS./POSITIVE	112-003061-000	1
14	DIFFUSED PLATE (8 DIGIT LCD), T=0.1mm (D207)	650-ST7725-000	1
15	LCD BRACKET (8 DIG.) (ABS) MOLD WHITE COLOR	505-ST7706-000	1
16	LED PCB STS71AAST-01-03	033-ST71A-101	1
17	CONTROL PCB HOLDER (ABS)	505-ST7707-000	1
18	KEY PCB STS71AAST-01-02	033-ST71A-300	1
19	HEATSINK, 0.5mm TIN PLATE	613-DV3231-000	3
20	MPEG+SERVO PCB STS71AAST-01-05	033-ST71A-100	1
21	TOP PANEL, T=0.6mm E.G.C. STEEL, w/SPY	600-ST7716-xxx	1
22	THERMAL RES. PRESS PLATE, T=0.3mm PHOSPHOUS BRONZE	650-ST7733-000	1
23	BLANK PCB STS71AAST-01-06	033-ST71A-102	1
24	FAN CONTROL PCB STS31AAST-01-06	033-ST31A-100	1
25	EXTRUDED HEATSINK ST77-28 47.5x15.6x19mm	613-ST7728-000	2
26	MAIN PCB HEATSINK, 2mm (AL)	613-ST7726-000	1
27	POWER TRANSFORMER w/FUSE 115°C	123-xxxxxx-xxx	1
28	SCART PCB STS21AAST-01-05	033-ST21A-104	1
29	RGB CONNECTOR SOCKET 21 PINS, HRC021V-07, (KUNMING)/MRC-021V-04(HONDA)	JK701 135-HRC021-210	1
30	BACK PLATE, T=0.3mm BLK PVC, w/PNT	650-ST7722-xxx	1
31	POWER TRANSFORMER w/FUSE 130°C	123-xxxxxx-xxx	1
32	REGULATOR PCB STS71AAST-01-04	033-ST71A-300	1
33	POWER HEATSINK (EXTRUDE AL) 94x20mm	613-ST7717-000	1
34	FAN COVER, CAV.4 (ABS)	500-ST2108-000	1
35	COOLING FAN DC9V 0.14A DC BRUSHLESS #5010H12S, NF1 50x50x10mm	100-090009-000	1
36	MOUNTING BRACKET, T=1.2mm E.G. STEEL	605-ST7734-000	1
37	DVD MECHANISM w/SG #CMS-S21MG6 AND FCC BRACKET	STSD-010SMT	1
	SCREW 3x6mm BB T.T.S. (S TYPE) NI PLATED (TSB#9878107200)	722-080308-060	10
	HEATSINK INSULATOR, 0.25mm, 25x10mm	700-DV3243-000	1
	FOAM CUSHION, 1.5mm EVA	700-ST2113-000	1
	SCREW 3x8mm, PM BRASS BASED	721-010300-080	3
	SCREW ST3x8mm BB T.T.S. (B TYPE),	722-080307-082	7
	CBTS(P)-Z CHROMATE PLATING CBTB 3x8 MC)		
	(F722-080308-182) SCREW 3x18mm BB T.T.S. (S TYPE)	722-080308-180	4

EXPLODED DRAWING PARTS LIST - CONTINUED

Ref. No.	Description	Mfr's Part No.	Qty.
	NUT M3x0.5 PITCH Ni (TSB#9270221800)	3/TOSHIBA IC 725-000030-500	3
	SPONGE, SIZE:15mmx15mmx10mm	700-0228A3-000	3
	4" CABLE/PLASTIC TIE (SKB-1M/CV-100)(CdF)	727-000100-000	2
	250mm CABLE/PLATIC TIE (WIDTH 3.6mm)	727-000100-006	1
	PVC TUBE AWG1 INNER DIA. 7.35mm DC-3, (DAE CHANG) (UL/CSA APP.) TRANSPARENT	UNIT"M" 728-000073-000	0.38
	PVC HEAT SHRINKABLE TUBE DIA. 3mm (UNITUBE), (UL/CSA APP) (CdF)	UNIT"M" 728-015030-001	0.156
	*CdF PVC HEAT SHRINKABLE TUBE DIA.3.5mm, (UNITUBE) (UL/CSA APP)	UNIT"M" 728-015035-000	0.105
	SCREW ST3x8mm, PB BRASS BASED	2/BTM TO JACK 720-050300-080	5
		2/SCART	
		1/TUNER PCB BKT	
	SCREW ST3x8mm, BB HEAD V5.9-6.3, BB BRASS BASED	1/TUNER PCB BKT 720-110300-080	1
	SCREW 3x6mm BB T.T.S (B TYPE) (BBZ30P060FNI)	2/PCB TO HEAT SINK 722-080307-060	2
	SPRING WASHER 4mm BLACK	4/TF 532-404000-000	4
	REMOTE SHIELDING, T=0.3mm E.G. STEEL	609-ST6142-000	1
	*CdF (F650-723867-002) SHIELDING PLATE, CHIYODA COPPER TAPE (75mm(W)x100M/ROL)	UNIT"RL" 650-723867-003	0.0006
	PVC PLATE, T=0.3mm PVC SHEET (FOR MPEG IC HEATSINK)	650-ST7739-000	1
	RUBBER PAD, 10x10x4.0mm THK RUBBER, w/N500 BLACK	1/FAN CONTROL PCB 700-M20143-000	1
	FELT B, 50x15x0.3mm HIMERON	700-SDC019-001	2
	w/SONY T-3500 2-SIDED TAPE (T#9871858900)		
	SEPARATOR, T=0.3mm PVC PLATE	1/BTM CAB. 700-ST2124-000	1
	w/DOUBLE-SIDE ADHESIVE		
	SCREW ST3x8mm, PB BRASS BASED	6/BTM TO JACK 720-050300-080	6
	SCREW ST3x10mm, PB BRASS BASED	4/DVD PCB TO MPEG PCB POST 720-050300-100	4
	SCREW ST2.6x10mm, BB BRASS BASED (P TYPE)	2/LCD BRACKET 720-110260-100	2
	SCREW ST3x8mm, BB HEAD V5.9-6.3, BB BRASS BASED	4/MPEG PCB POST PCB 720-110300-080	4
	SCREW 3x8mm, PM BRASS BASED	3/AMP IC 721-010300-080	3
	SCREW 4x8mm, PM	4/TF 721-010400-080	4
	SCREW ST3x8mm BB T.T.S. (B TYPE), CBTS(P)-Z CHROMATE PLATING CBTB 3x8 MC)	2/PCB TO HEATSINK 722-080307-082	10
	SCREW 3x6mm BB T.T.S. (S TYPE) NI PLATED, (TSB#9878107200)	8/POWER HEATSINK 722-080308-060	1
	SCREW 3x16mm PM T.T.S. (S TYPE) w/YELLOW ZINC	6/MAIN PCB 722-110308-162	6
	SCREW 3x19mm PM T.T.S. (S TYPE) w/YELLOW ZINC	4/DVD MECHANISM 722-110308-192	4
	NUT M3x0.5 PITCH Ni(TSB#9270221800)	3/AMP IC 725-000030-500	3
	NUT M4	4/TRANS. 725-000040-000	4
	RUBBER FOOT, 10x10x2.0mm BLACK (NC RUBBER), w/SELF-ADHESIVE	700-630141-000	2
	SCREW ST2x8mm, BB (4 HEAD)	4/CD KNOB 720-110200-080	4
	SCREW ST3x10mm BB HEAD V5.9-6.3 BRASS BASED	1/PANEL BKT F. PANEL 720-110300-100	1
	FUSE HOLDER #FH-V-03078 5x20mm, P.B CU/SN-PLATED	550-790000-002	6
	SHIELDING PLATE B, 0.1mm COPPER PLATE, (SELF ADHESIVE)	1/RGB CONNECTOR SOCKET 650-ST2126-000	1
DVD MECHANISM - STSD-010SMT			
1	DRIVE GEAR, MOLDED BLACK, CAV.2, POM M90 94HB	509-CD3205-000	1
2	LM BELT, MOLD BLACK, DIA:28x1.85x1.85, LOY-BELT-CR MOTOR BELT (RUBBER)	700-0CDD40-002	1
3	PULLEY GEAR, MOLDED BLACK, CAV.4, POM M90 94HB	509-CD3206-000	1

EXPLODED DRAWING PARTS LIST - CONTINUED

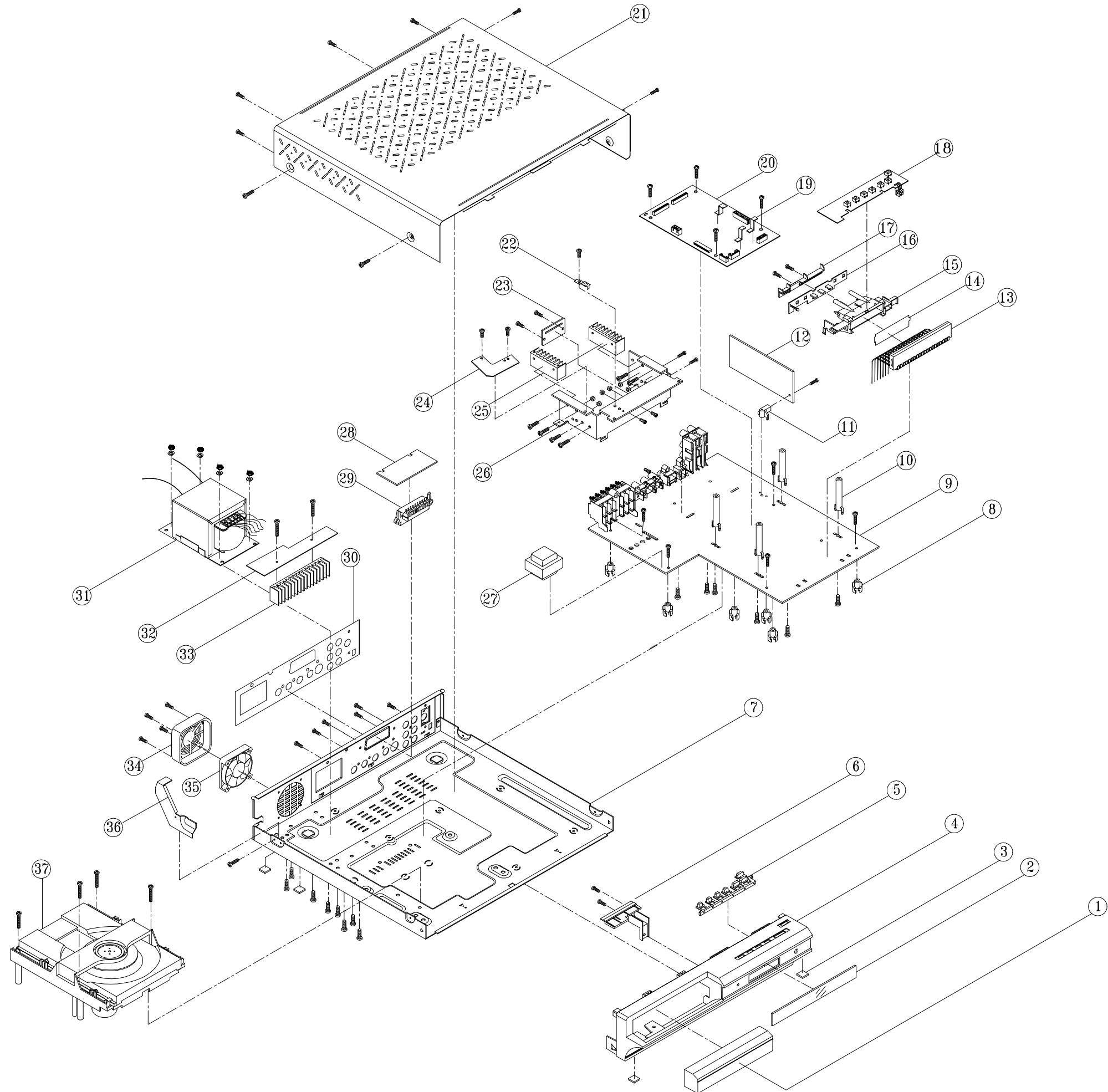
Ref. No.	Description	Mfr's Part No.	Qty.
4	CHUCK YOKE, MOLDED BLACK, CAV.2 (ABS)	509-DVD302-000	1
5	SLIDER, MOLDED BLACK, CAV.2 (ABS)	509-CD3204-000	1
6	CHASSIS, MOLDED BLACK, CAV.1 (HIPS)	509-CD3202-000	1
7	LEAF SWITCH LS-121-0A (LUP FUNG)	022-001210-001	1
8	TRAY, MOLDED BLACK, CAV.1 (ABS)	509-CD3201-000	1
9	(F700-0CDD18-000) MOTOR PULLEY, MOLDED BLACK, POM M90 94HB, CAV:6 (POM)	509-0CDD18-000	1
10	MOTOR-DC-006V-NORMAL 6V #RF-500TB-12560, (MABUCHI) 10gm (VA TYPE MOTOR)	151-061256-002	1
11	LOAD MOTOR PCB STS21AAST-01-09	033-ST21A-108	1
12	SPRING PLATE, 0.2T S.S.	650-CDD307-000	1
13	CHUCK PLATE, DIA:19.9/DIA:3.5x0.8 ELECTROLYTIC ST.PLATE	650-DVD303-000	1
14	CD MECHANISM HOLDER, MOLDED NATURAL, CAV.2 (ABS)	505-CD3203-000	1
15	CHUCK PULLEY, MOLDED BLACK, CAV.2 (ABS)	509-DVD301-000	1
16	FFC CABLE HOLDER, MOLDED BLACK, CAV.4 (ABS)	505-CD3210-000	1
17	DVD-FLC-01-SAMG-N DVD MECHANISM, FOR CD-R CMS-S21MG6 (SAMSUNG)	163-000216-000	1
18	DVD CUSHION, CR HARDNESS 50+-2 DURO BLACK	700-DVD304-000	4
19	METAL BRACKET, 1.0 THK E.G. STEEL	605-CD3211-000	1
	SHIELD CORE (MABUCHI 53-192AB)	700-0CDD50-000	1
	HEATSINK SPACER, 50x6x2mm INOAC RUBBER SPONGE, C-4305 (BLK) w/TAPE	UNIT"PC" 700-D15669-000	1.4
	SCREW ST2.6x10mm, BB BRASS BASED (P TYPE)	720-110260-100	2
	METAL WASHER DIA:2.8/DIA:9.5x0.5mm	532-202809-550	1
	PLANE WASHER DIA:2.8xDIA:7x0.5mm	2/MOTOR-CHASSIS 532-202807-050	2
	METAL WASHER DIA:2.8/DIA:9.5x0.5mm	4/DVD-CHASSIS 532-202809-550	4
	PVC WASHER Ø10xØ6.05x0.1mm, K890-43	1/SET 532-510006-010	1
	CHUCK PVC PLATE, 17x3.5x0.2	1PC/SET 650-ST1339-000	1
	FOAM RUBBER, 6x5x4.5mm (HARDNESS 60 PAD CORD)	700-0CDD48-001	1
	SCREW ST2x5mm PB BRASS BASED (M2.3 HEAD)	1/LEAF SW 720-050200-050	2
		1/SPRING PLATE	
	SCREW 2.6x5mm PM w/CHROMATE-PLATING	2/MOTOR-CHASSIS 721-010260-052	2
	SCREW 2.6x10mm BB T.T.S. (P TYPE) CHROMATE PLATING, (BTTB2.6x10MC)	722-080260-102	6
	4" CABLE/PLASTIC TIE (SKB-1M/CV-100) (CdF)	727-000100-000	1
CENTER SPEAKER SECTION - (SSQCE1)			
1	SPEAKER CORD BUSHING, MOLDED BLACK, CAV.8 (P.P)	509-650155-000	1
2	SPK CABINET, MOLD GREY(CNS-0360) (HIPS) w/SPY, ENGRAVE	500-SSQCE11-xxx	1
3	HOLE COVER, MOLD CNS-0360 (HIPS) CAV:8	500-SSQ104-000	2
4	SPK00003"008OHM0030W w/BLACK DOME CAP, #LF77SZ4409G40 C8K14PDB	131-308030-017	1
5	SPEAKER PANEL, MOLD CNS-0360 (HIPS) w/SPY, ENGRAVE	500-SQC101-xxx	1
6	SPEAKER CLOTH MESH SQC1-03 CAV.2 (HIPS)	509-SQC103-000	1
7	SPEAKER CLOTH #FP-D201-131 GREY, WIDTH:93"/95"	UNIT"YD" 662-FPD201-000	0.018
	SPK. BOX FELT 80x8x0.3mm, BLACK (TBS#PM0005432010) (CdF)	700-993856-000	2
	SCREW ST3x25mm, PAB BRASS BASED	720-010300-250	4
	SCREW ST3x10mm BB HEAD V5.9-6.3 BRASS BASED	720-110300-100	4
SUB-WOOFER SECTION - (SWS1)			
1	SPEAKER CLOTH #FP-D201-131 GREY, WIDTH:93"/95"	UNIT"YD" 662-FPD201-000	0.05
2	SPEAKER MESH, MOLDED BLACK, CAV.2 (HIPS) REV.1	509-299973-001	1
3	SPK006.5"006OHM0060W w/BK DOME PAPER CAP, #LW165KZ5804G70F6A26PDB K0626	131-656060-011	1
4	SPK BOX, 12mm PART. B, 219.6x259.6x220mm, SIL(ME2907) PVC, SPY BK(BACK) (6ohm/E1)	660-SWS103-005	1

EXPLODED DRAWING PARTS LIST - CONTINUED

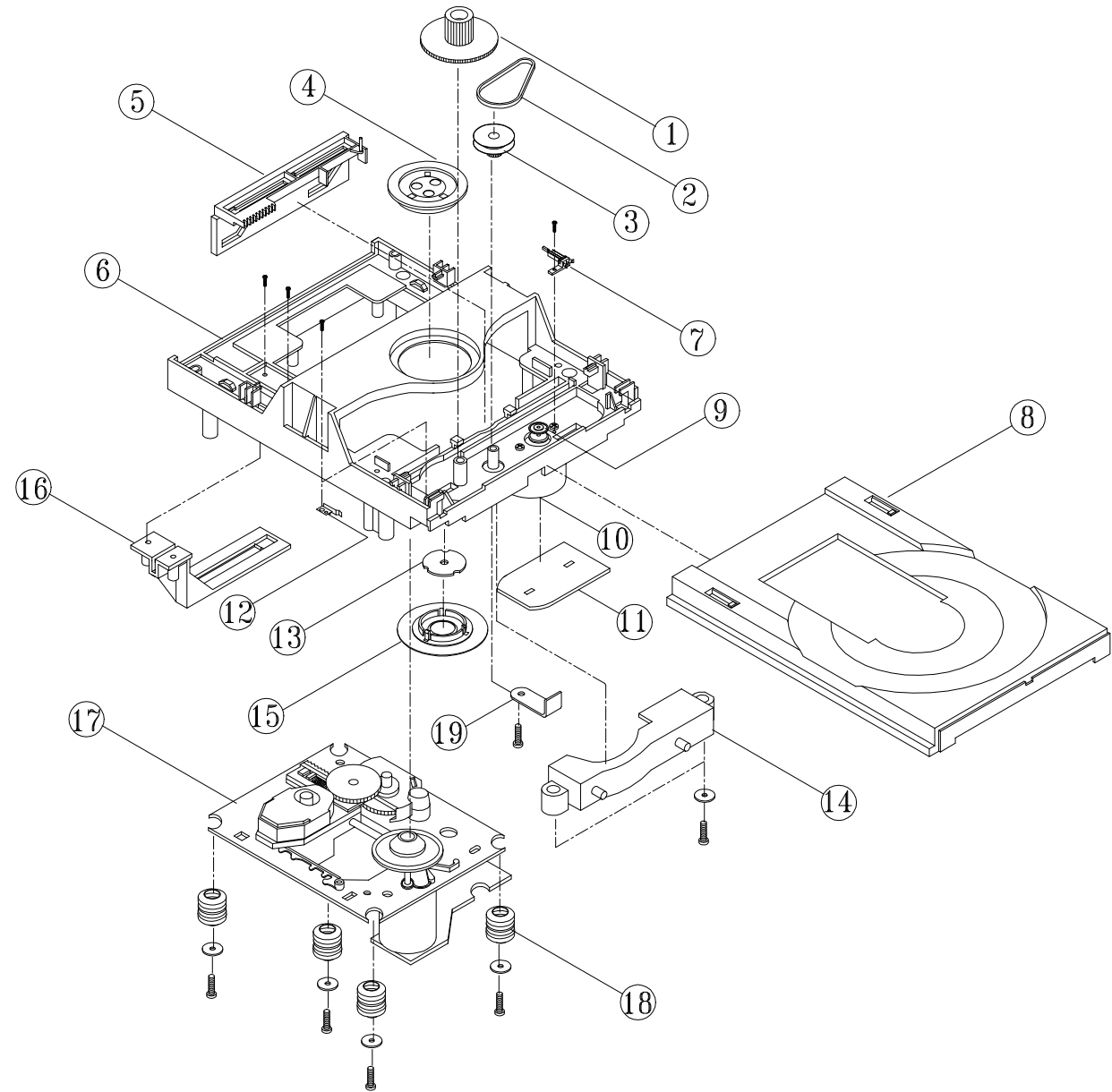
Ref. No.	Description	Mfr's Part No.	Qty.
5	SUB-WOOFER TUBE, MOLD CNS-0360 (HIPS)	509-SWT102-001	1
6	SUB-WOOFER PANEL, MOLD CNS-0360 (HIPS) CAV:1, w/SPY	500-SWS101-xxx	1
7	SUB-WOOFER TRIM, MOLD CNS-0360 (ABS) CAV:4, w/SPY	509-SWS102-xxx	1
	RUBBER FOOT, 10x10x2.0mm BLACK (NC RUBBER), w/SELF-ADHESIVE	700-630141-000	4
	TUBE CUSHION, 5mm THK RUBBER FOAM, 1/SUB-WOOFER PANEL	700-299633-000	1
	w/DOUBLE SIDE TAPE		
	SCREW ST3x12mm, PWAB BRASS BASED 4/SUB-WOOFER TUBE	720-030300-120	4
	SCREW ST2.6x8mm PB BRASS BASED 3/SUB-WOOFER TRIM-PANEL	720-050260-080	3
	SCREW ST3x14mm BA 4/SPK	720-120300-140	4
2-SPEAKER - (MTS6801)			
1	SPEAKER CLOTH #FP-D201-131 GREY, WIDTH:93"/95" UNI"YD"	662-FPD201-000	0.0656
2	SPEAKER PANEL MESH, MOLDED BLACK, CAV.2 (ABS)	509-650154-000	2
3	PANEL COVER, MOLD CNS-0360 (HIPS) CAV:2, w/SPY	500-650152-xxx	2
4	SPEAKER PANEL, MOLD CNS-0360 (HIPS) CAV:1, w/SPY	500-650150-xxx	2
5	SPK00004"008OHM0030W w/BK DOME MYLAR CAP, #LF100SZ9201G45 C8K14MDB	131-408030-011	2
6	SPEAKER POST ADAPTOR, MOLDED NATURAL, CAV.8 (ABS)	503-650127-000	8
7	WOODEN BOX, 9mm PARTICLE BOARD, SIL (ME2907 PVC), 212.5x154.5x120mm BACK SPY BK	660-680120-001	2
8	(F700-027362-000) SPEAKER TUBE, MOLDED BLACK, ABS DEPTH=60	509-027362-000	2
	SCREW ST3x12mm, PAB BRASS BASED 8/SP. POST ADAPTOR	720-010300-120	8
	SCREW ST3x12mm, PWAB BRASS BASED 8/SPK	720-030300-120	8
	SCREW ST2.6x8mm PB BRASS BASED 12/SP. PANEL COVER	720-050260-080	12
2-SPEAKER SECTION - (SSQE1)			
1	SPEAKER CLOTH #FP-D201-131 GREY, WIDTH:93"/95" UNI"YD"	662-FPD201-000	0.0313
2	SPEAKER CLOTH MESH, CAV.4 (HIPS)	509-SSQ103-000	2
3	SPEAKER PANEL, MOLD CNS-0360 (HIPS) w/SPY, ENGRAVE	500-SSQ101-xxx	2
4	SPK00003"008OHM0030W w/BLACK DOME CAP, #LF77SZ4401G40 C8K14PDB w/o SHIELDING	SL, SR 131-308030-018	2
5	HOLE COVER, MOLD CNS-0360 (HIPS) CAV:8	500-SSQ104-000	2
6	SPK CABINET, MOLD GREY(CNS-0360) (HIPS) w/SPY, ENGRAVE	500-SSQE11-xxx	2
7	SPEAKER CORD BUSHING, MOLDED BLACK, CAV.8 (P.P)	509-650155-000	2
	FELT B, 50x15x0.3mm HIMERON, w/SONY T-3500, 2-SIDED TAPE(T#9871858900)	700-SDC019-001	2
	SCREW ST3x35mm, PAB (M3.5 HEAD) BRASS BASED	720-010300-350	8
	SCREW ST3x10mm BB HEAD V5.9-6.3 BRASS BASED	720-110300-100	8

(MAIN UNIT)

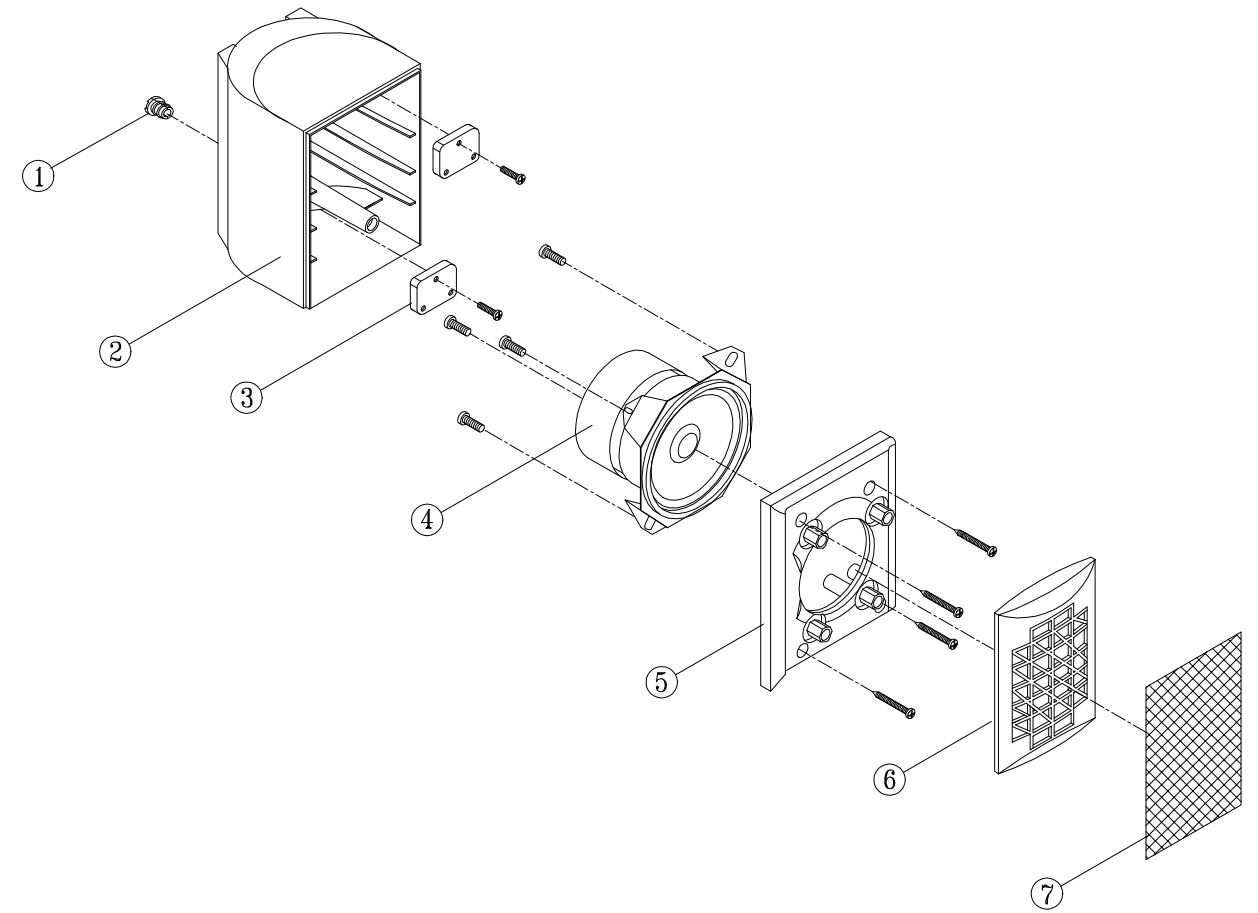
EXPLODED DRAWINGS



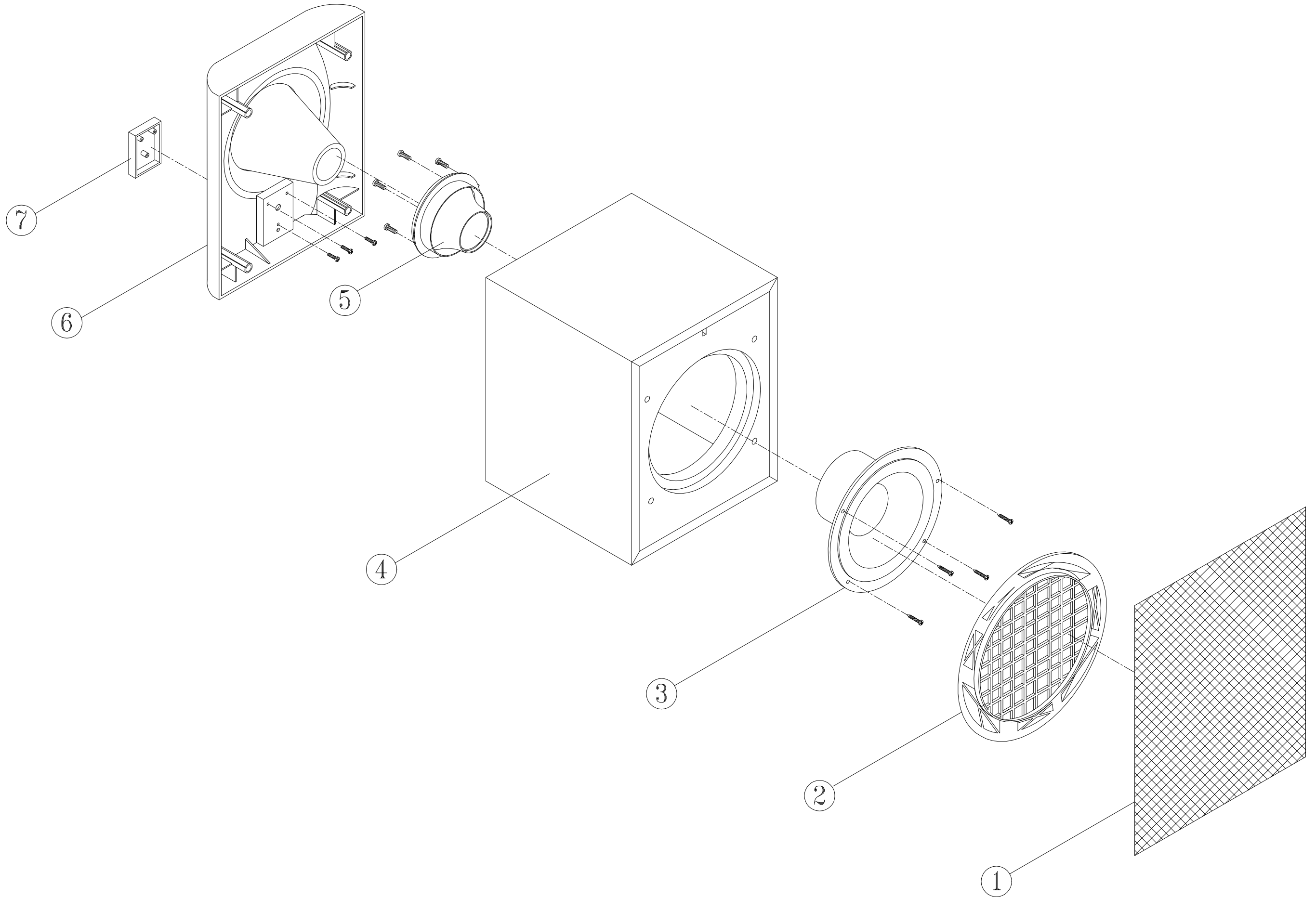
(DVD MECHANISM - STSD-010SMT)



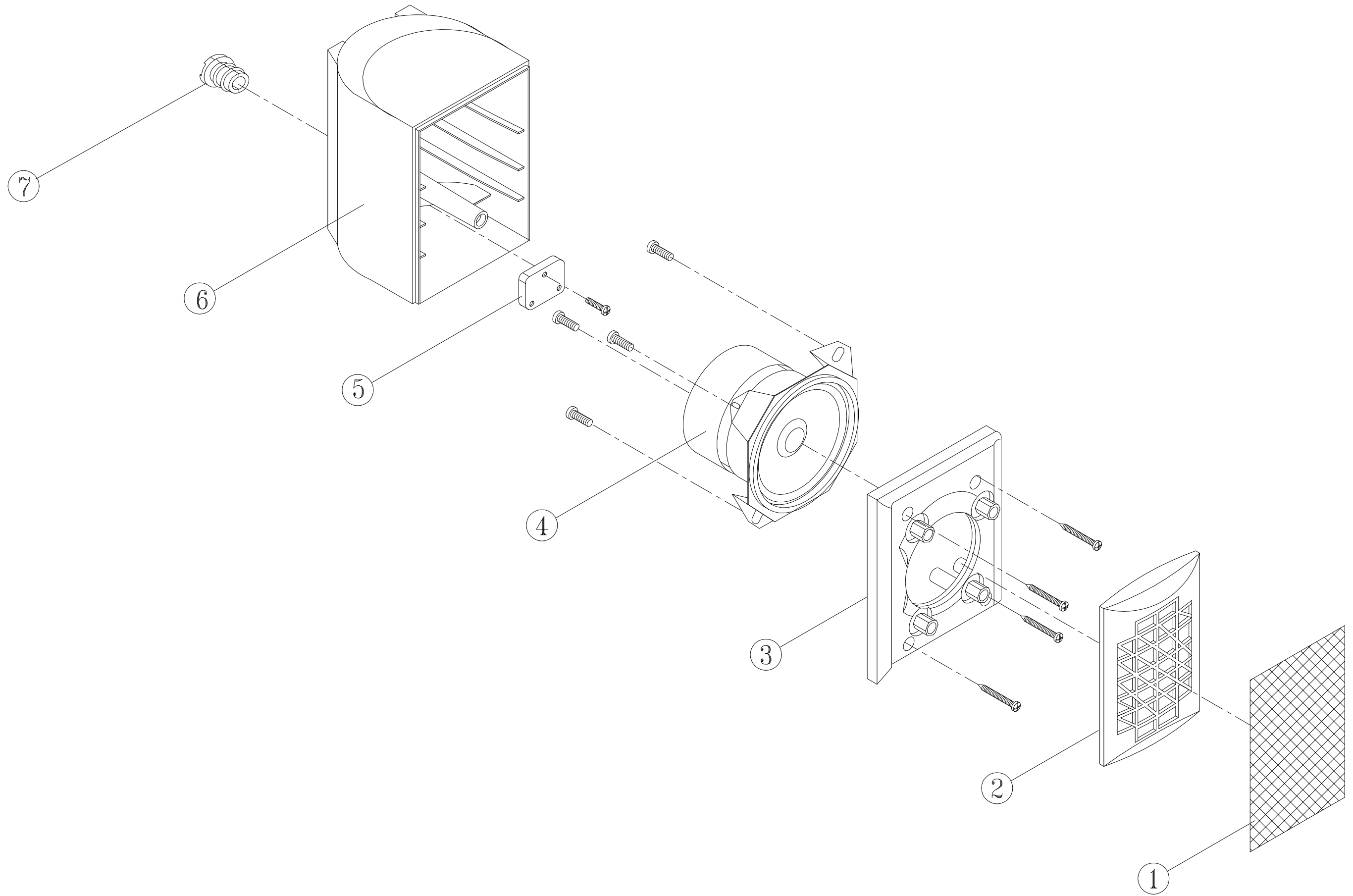
(CENTER SPEAKER - SSQCE1)



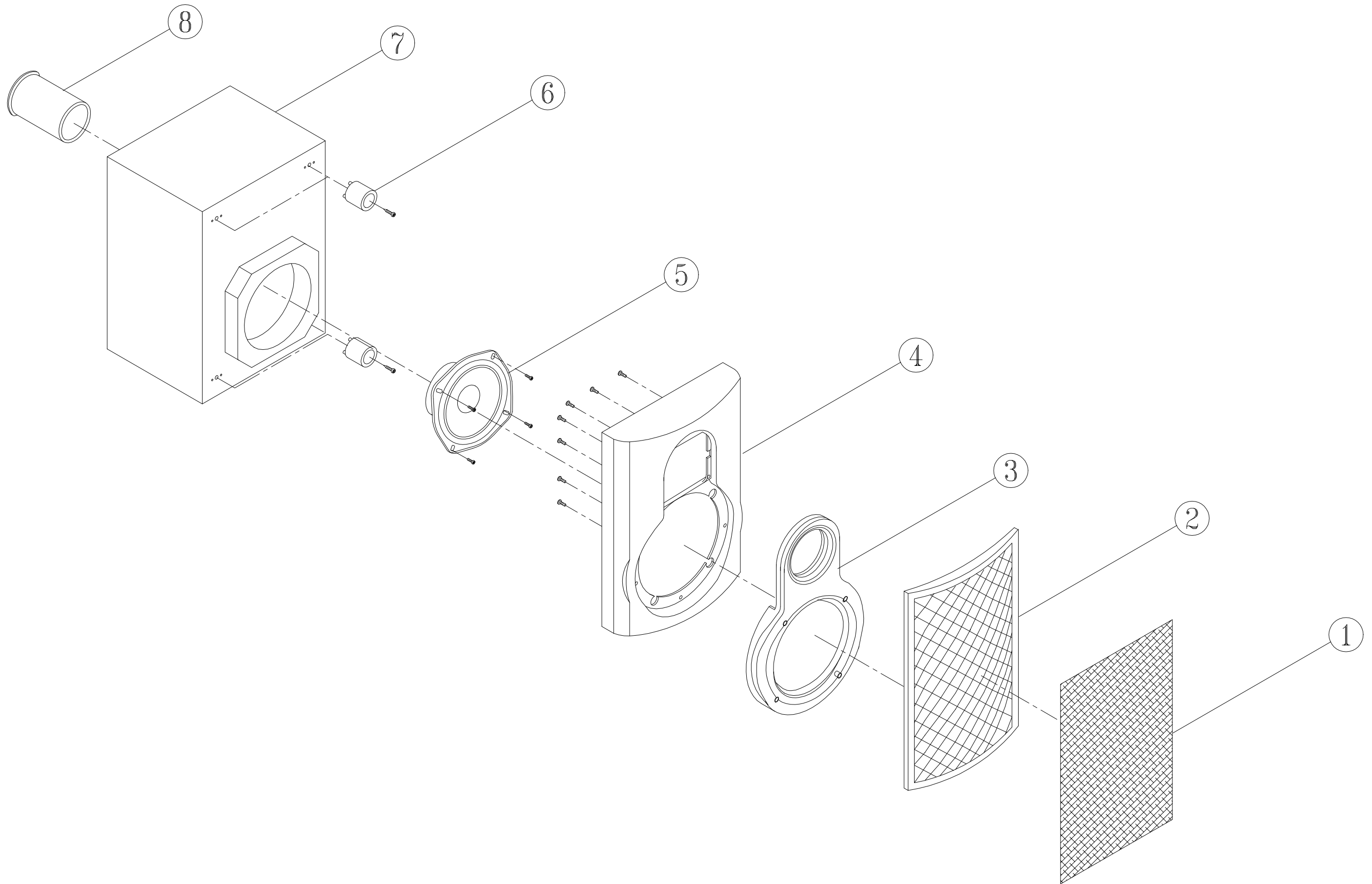
(SUB-WOOFER - SWS1)



(2-SPEAKER - SSQE1)



(2-SPEAKER - MTS6801)



NOTES:

NOVEMBER, 2003