



**AKAI**

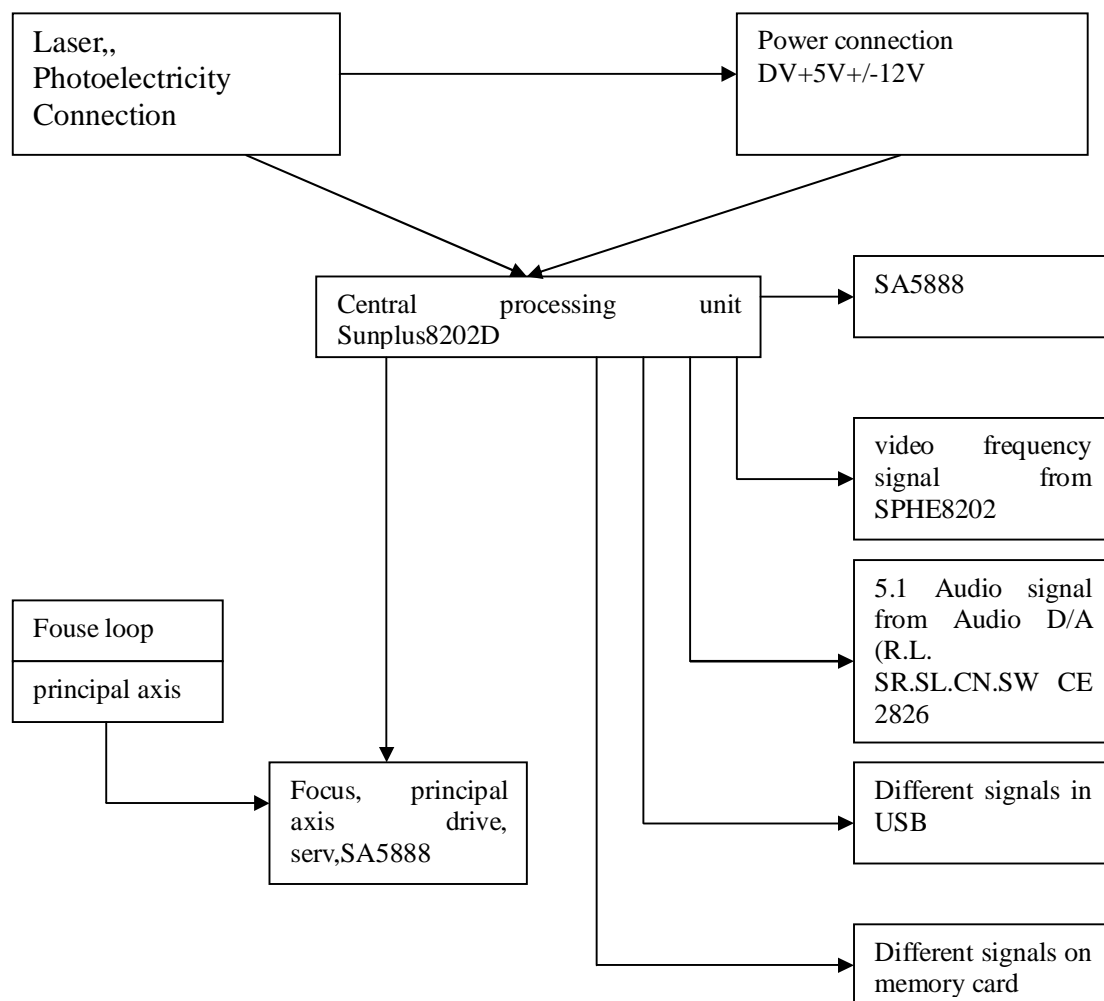
**DVD PLAYER**

Model:  
DV-P4930KDSM

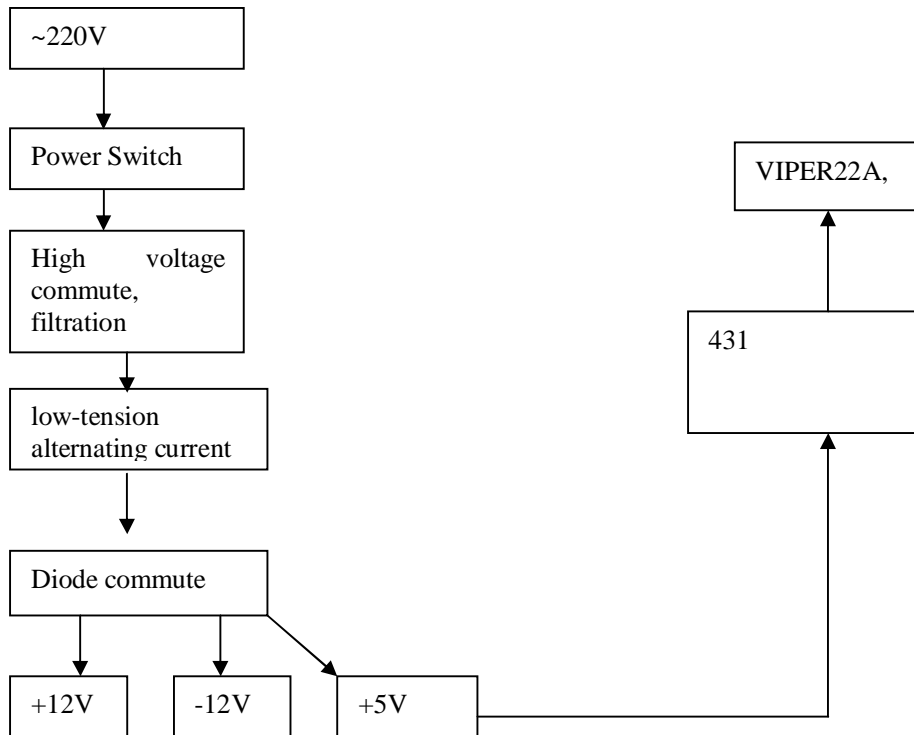
**SERVICE MANUAL**

# AKAI DV-P4930KDSM

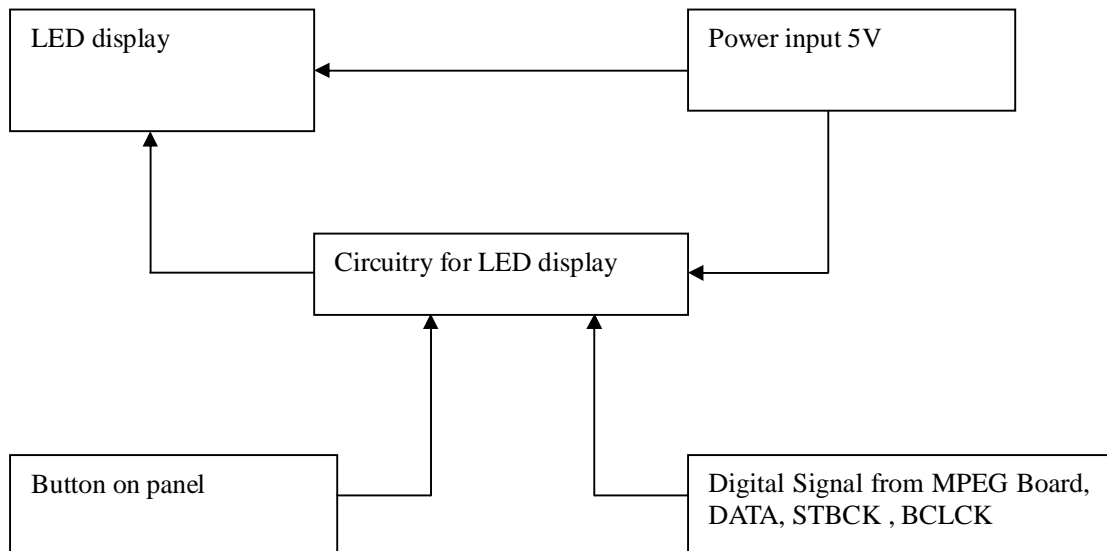
## MPEG BOARD



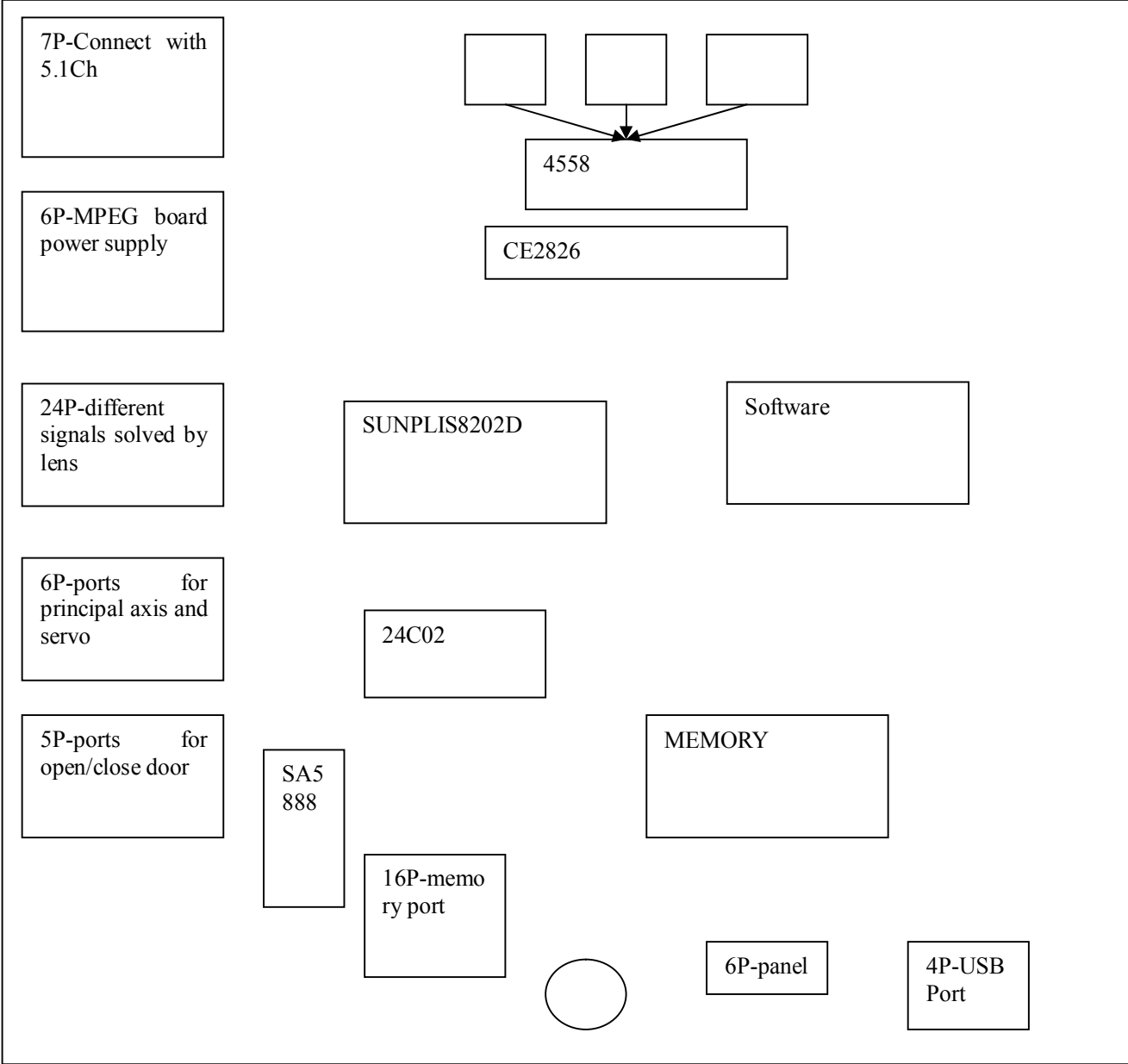
## REGION FOR POWER SUPPLY



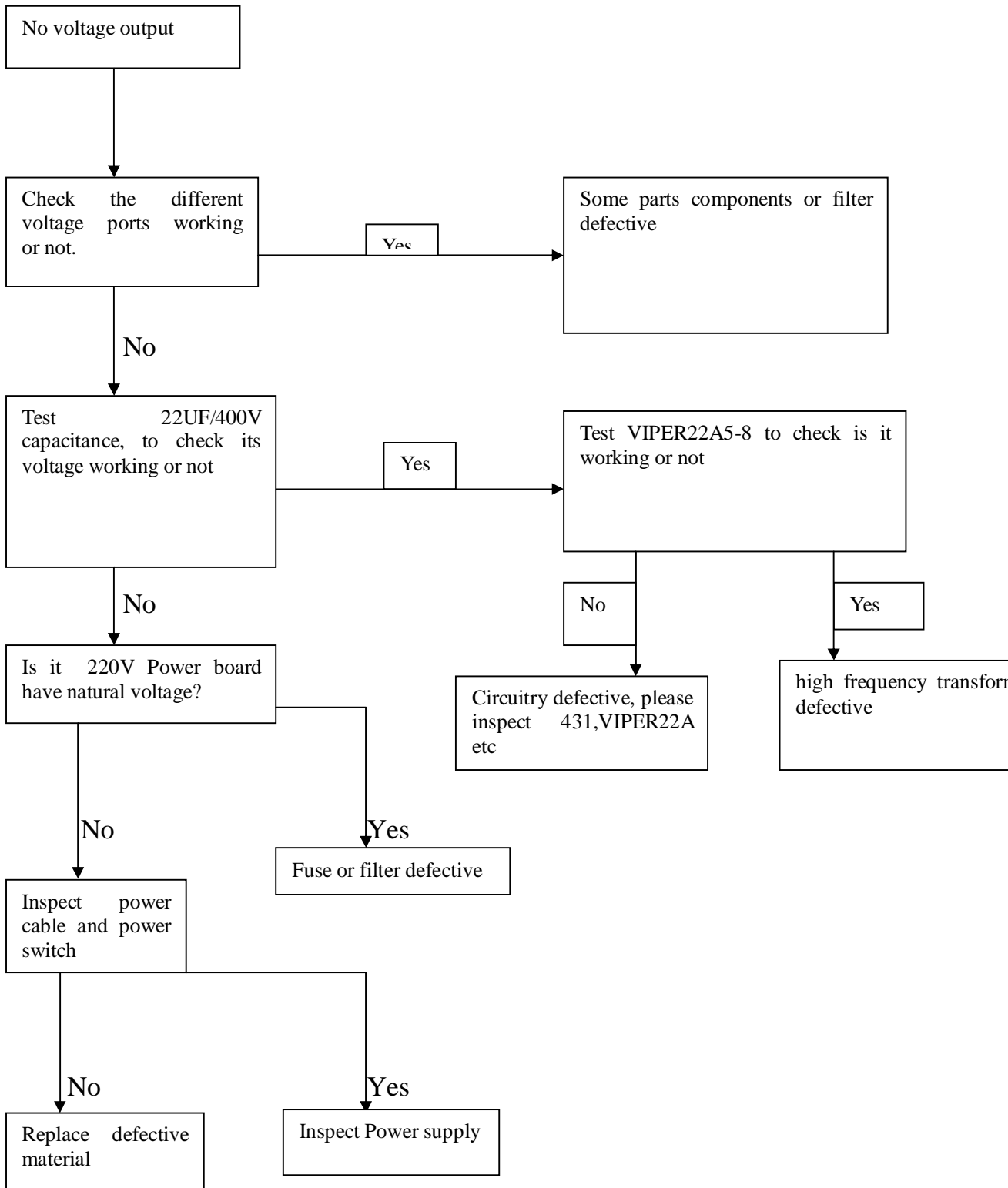
## PANEL



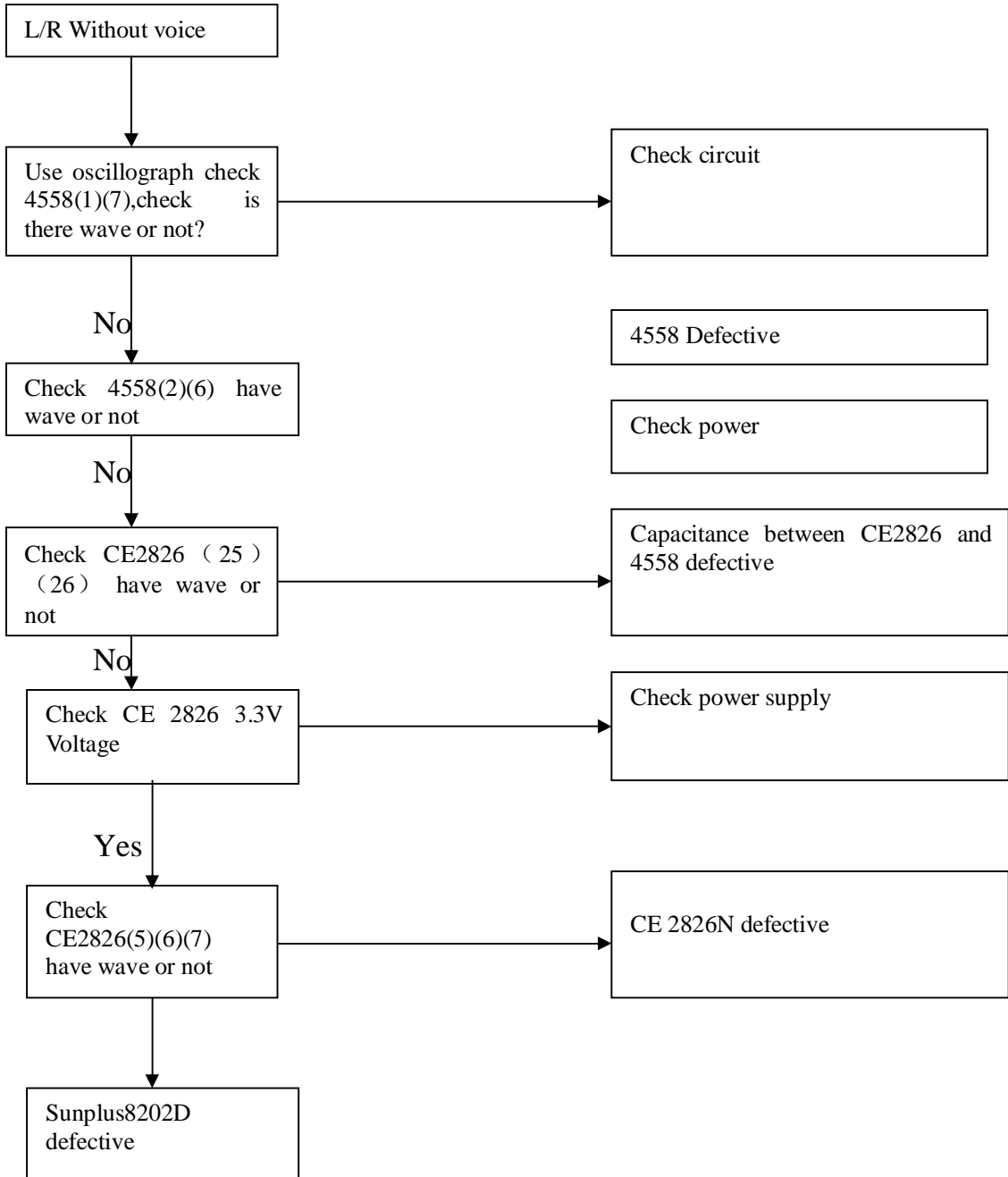
# PORTS AND FUNCTIONS ON MPEG BOARD



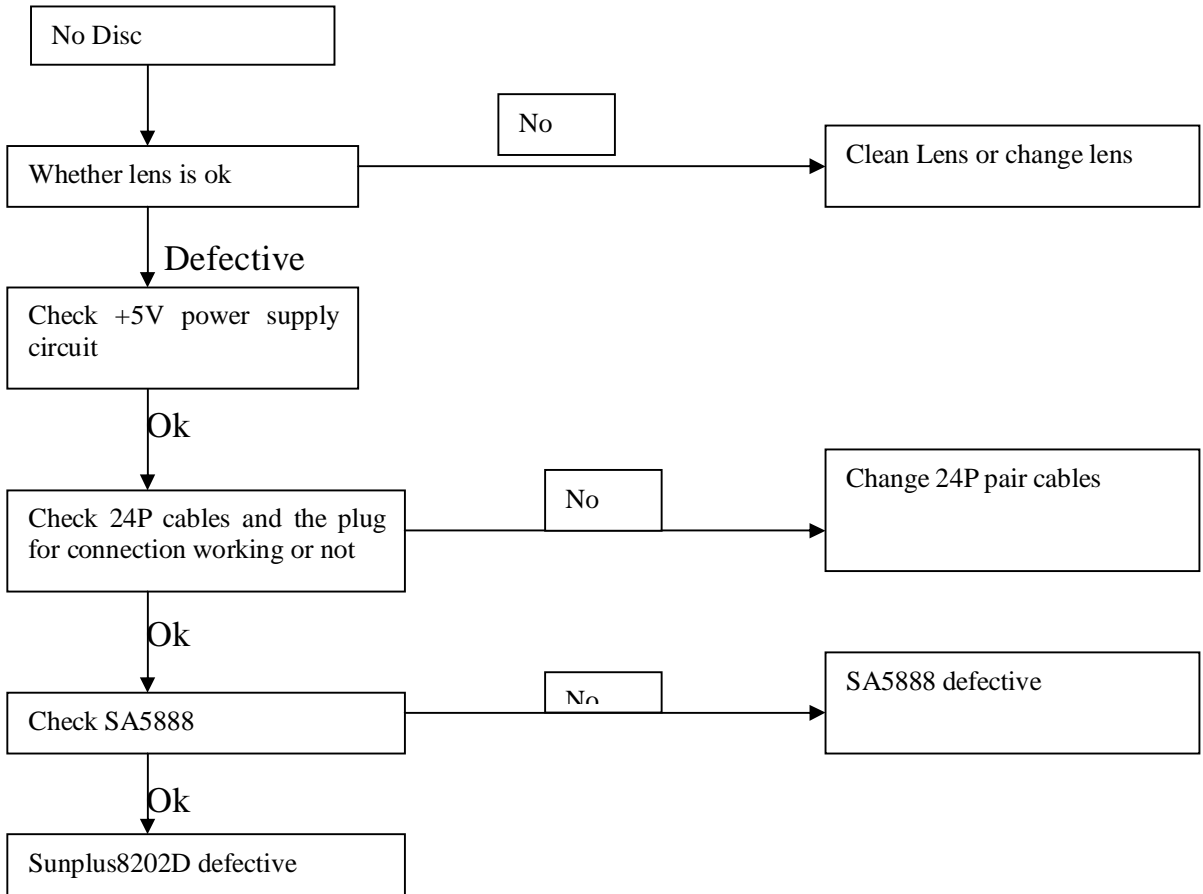
# POWER BOARD



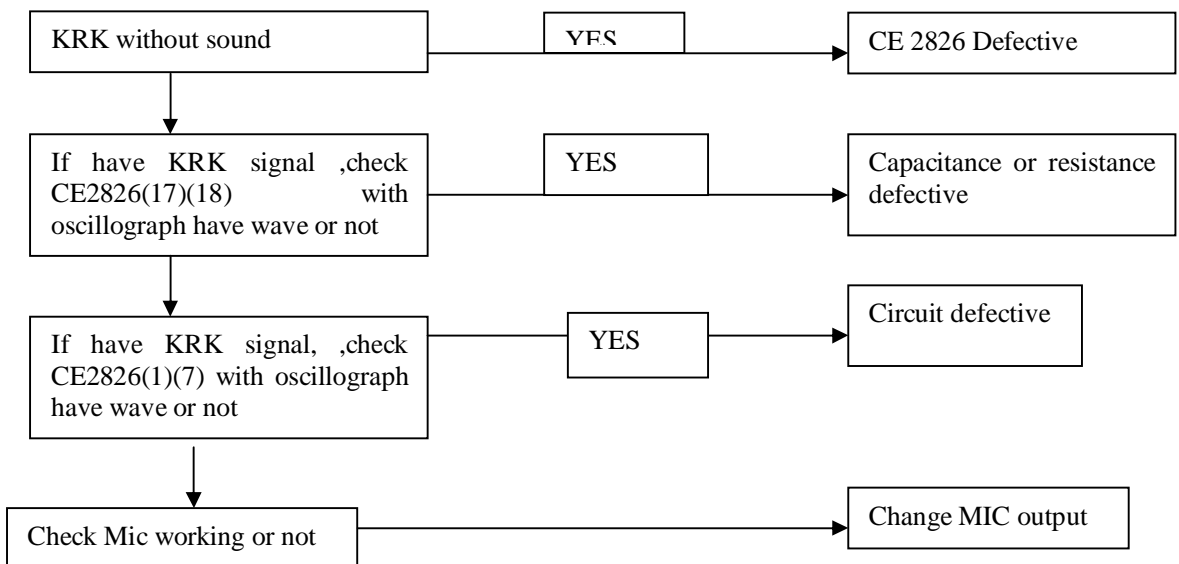
# AUDIO OUTPUT



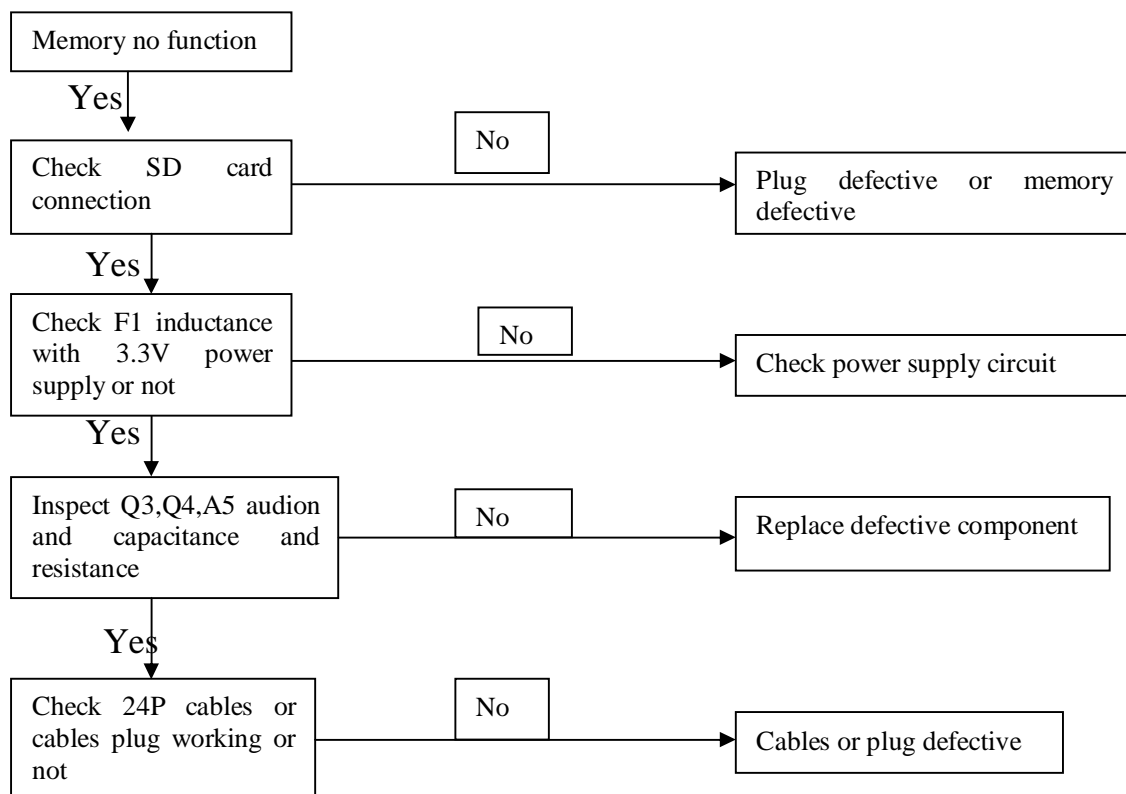
## MPEG BOARD



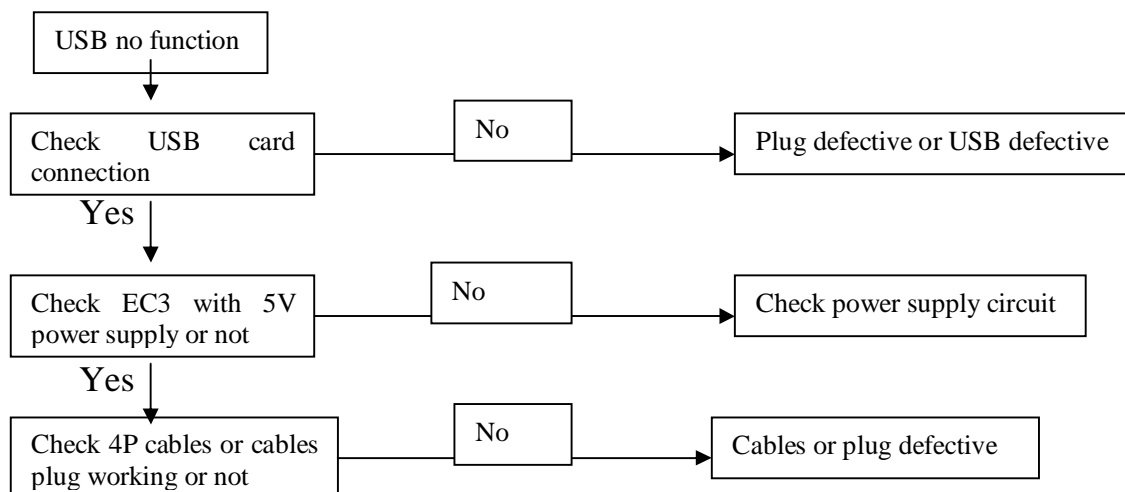
## KARAOKE



## SD CARD

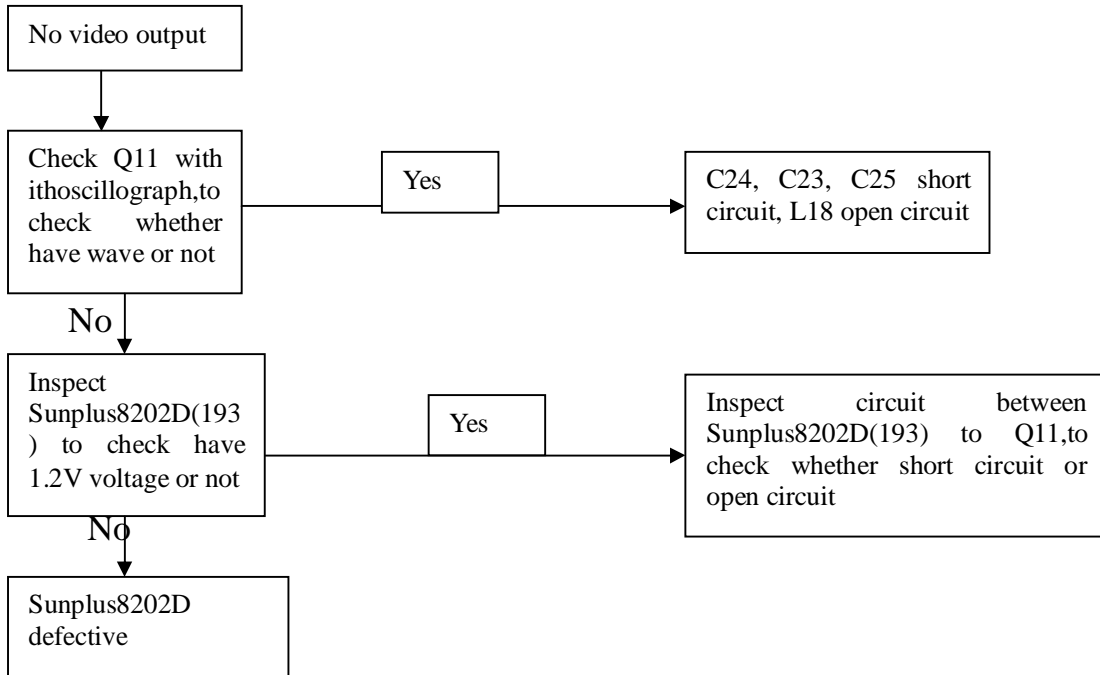


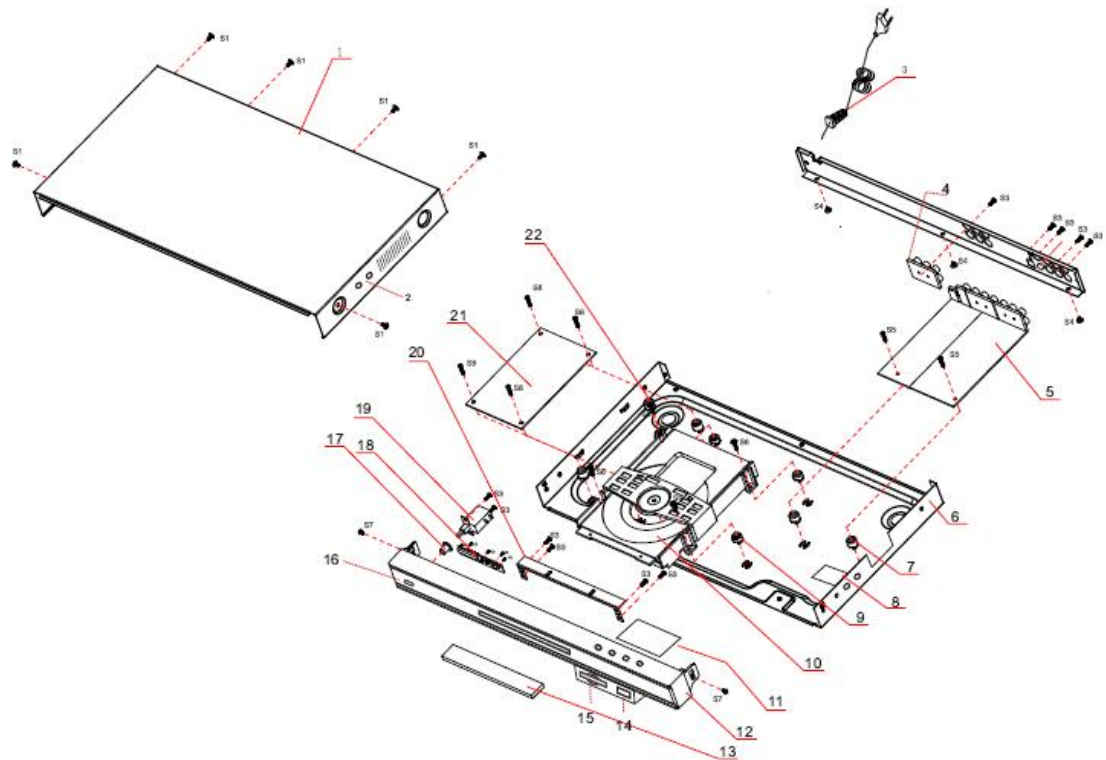
## USB FUNCTION





# VIDEO





1	Top cabinet
2	Mic input
3	Power cable
4	Decoder board
5	Decoder board
6	Bottom board
7	Rubber column
8	MIC Board accessory
9	Rubber column
10	Sanyo Lens
11	USB board
12	Front panel
13	CD tray
14	USB port
15	SD port
16	Power button
17	Power button
18	LED display
19	Power switch
20	Bracket of front panel
21	Power board

## Troubleshooting

### No power

Insert AC power plug into the power output

### No picture

Make sure the equipment is connected power

Make sure that the input model for TV is Video (AV).

### No sound

Make sure the equipment is connected power

### Distorted sound

Make sure that the input model for TV and stereo system are correct.

### No fast

Forward or fast reverse some discs may have sections that prohibit fast forward or fast reverse

### No operations

Can be performed with

The remote controller

Point the remote control unit at the remote control sensor and operate.

Check the batteries are installed with the correct polarities.

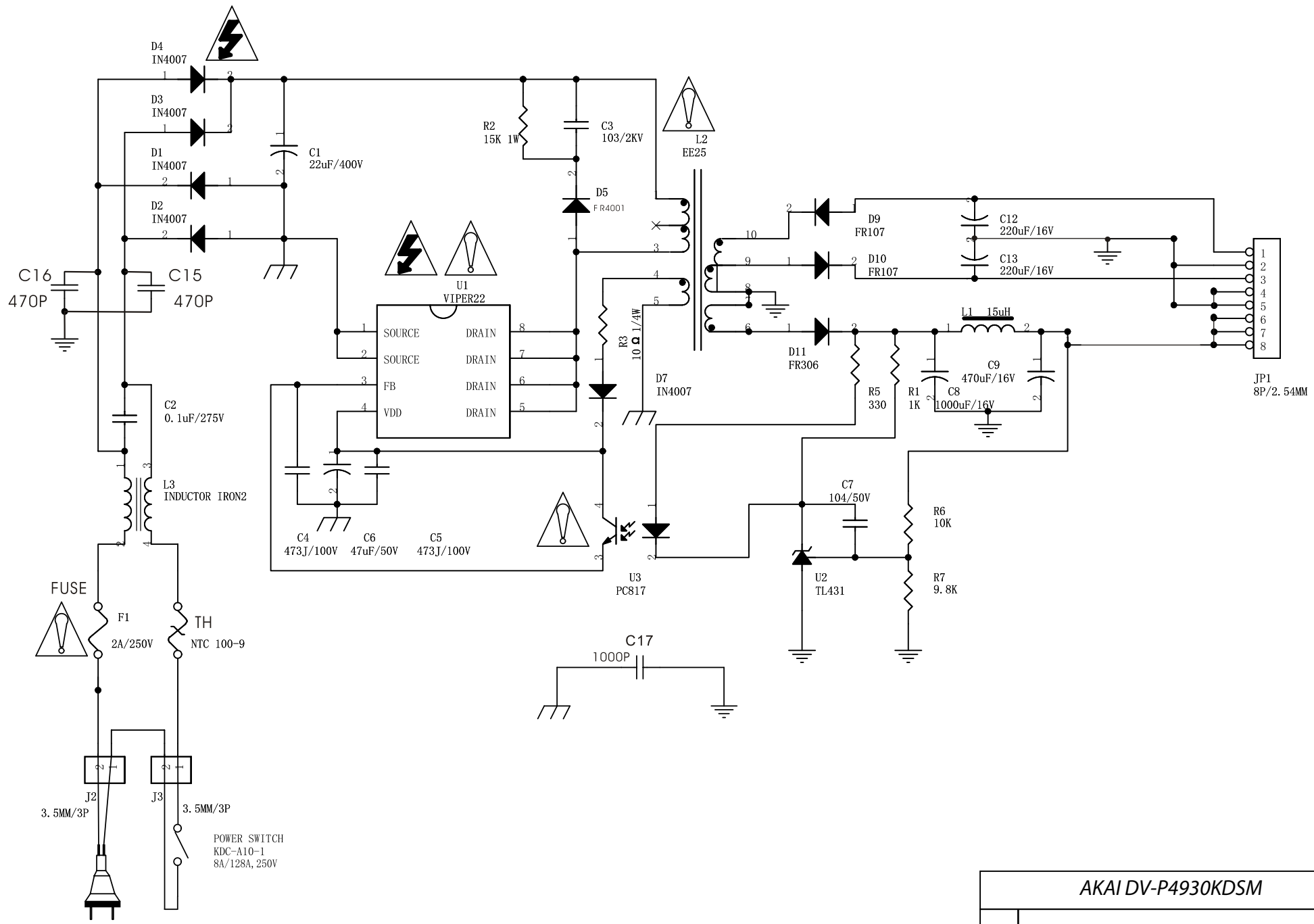
### No button operation

Set the POWER button to OFF and then back to ON.

Alternatively, turn off the power, disconnect power plug and then reconnect it.

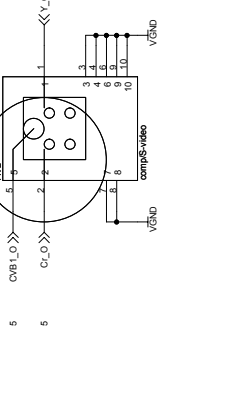
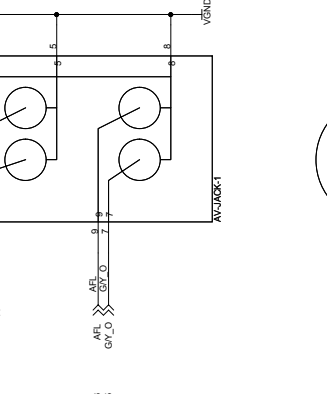
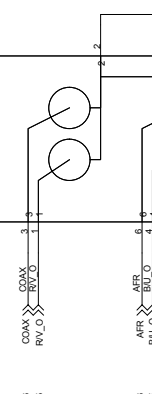
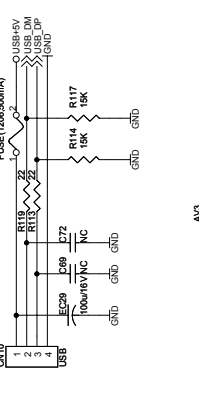
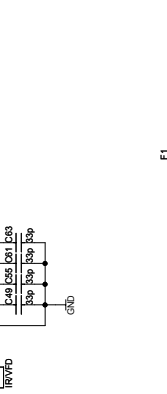
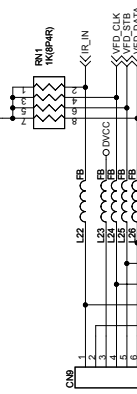
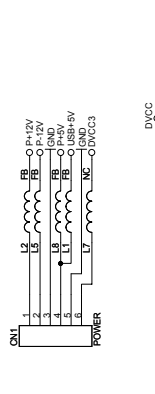
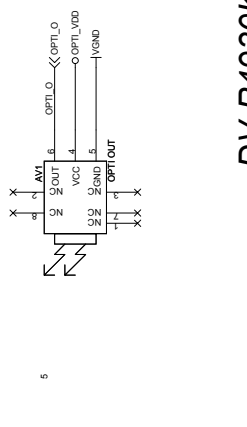
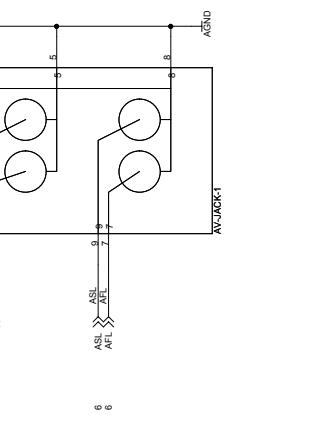
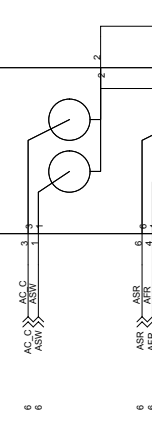
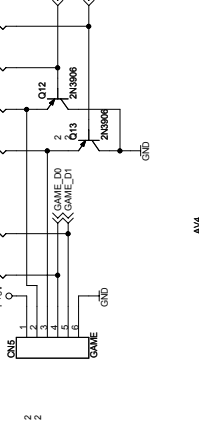
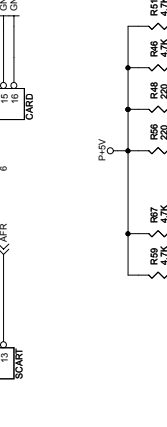
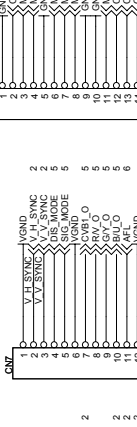
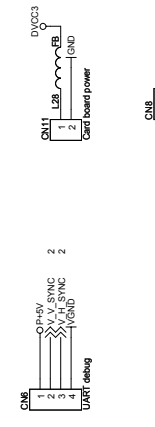
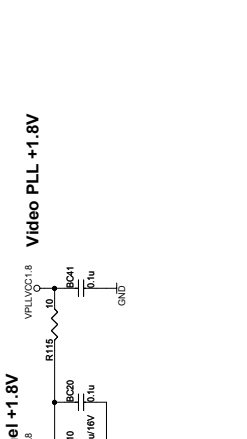
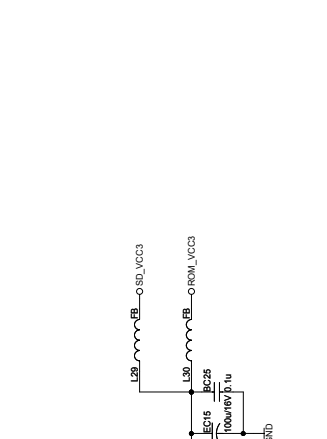
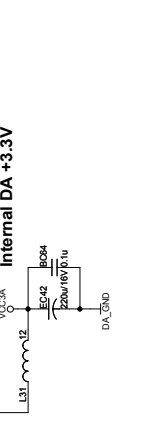
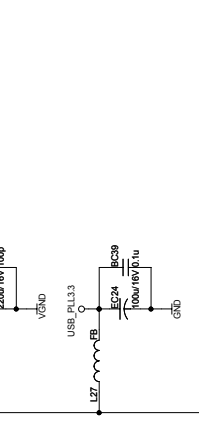
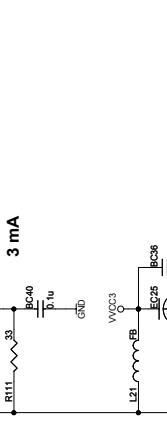
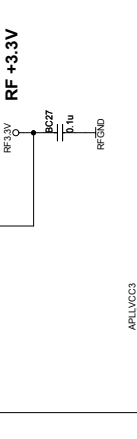
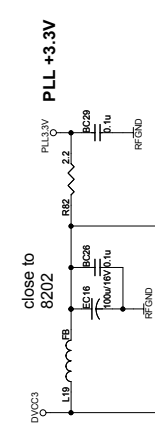
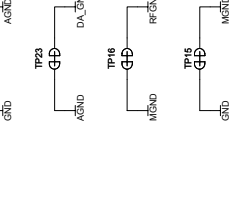
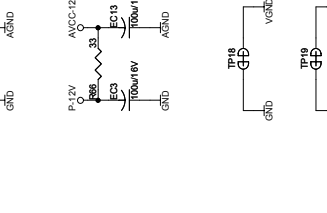
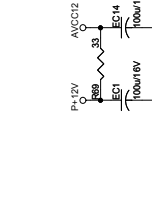
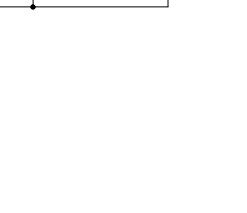
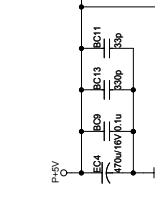
### No Angle change

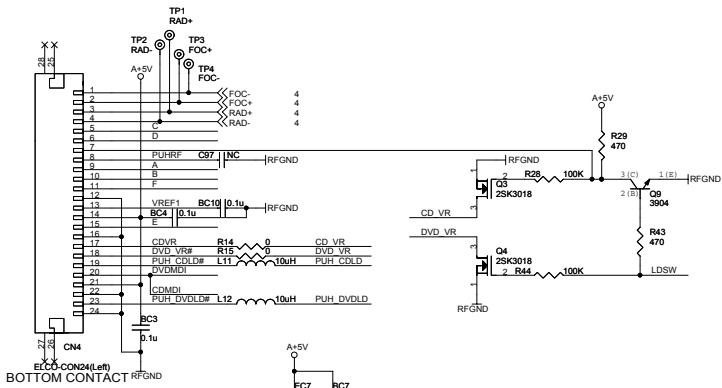
This function is dependent on software availability. Even if a disc has a number of angles recorded, the angles may be recorded for specific scenes only



~90-250V  
50/60Hz

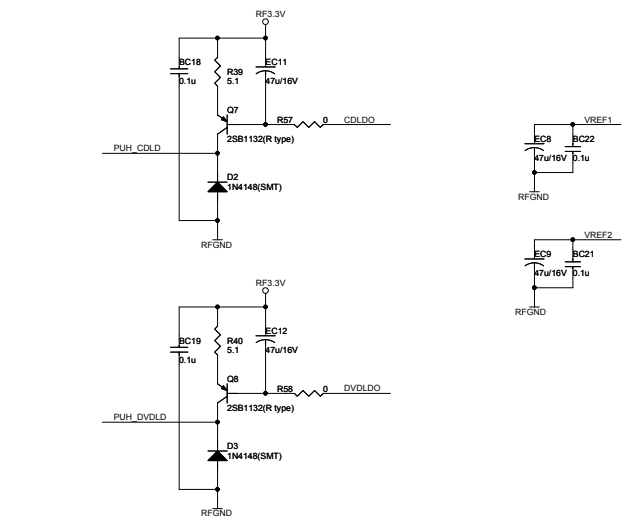
POWER SWITCH  
KDC-A10-1  
8A/128A, 250V



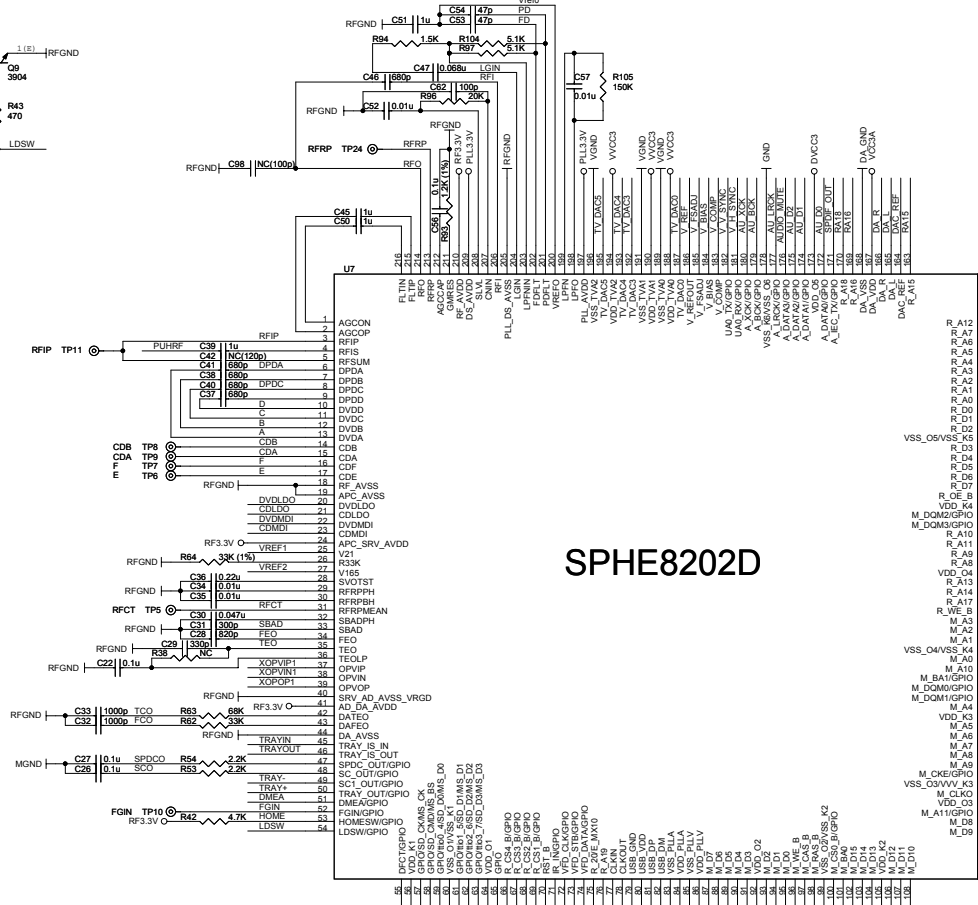
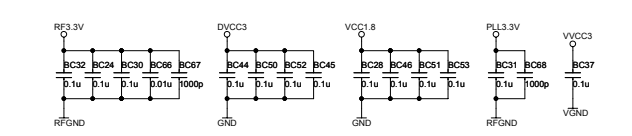


EXPOSED CONTACT BOTTOM CONTACT

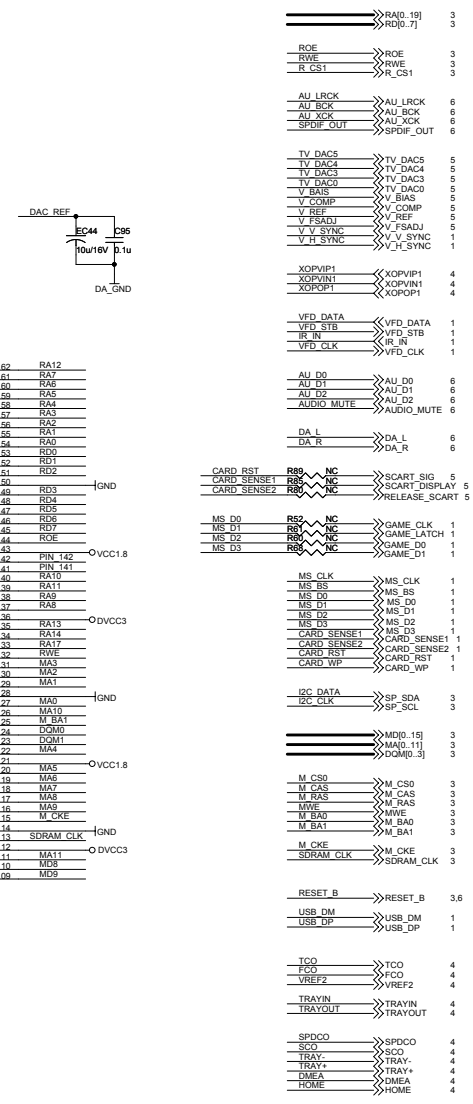
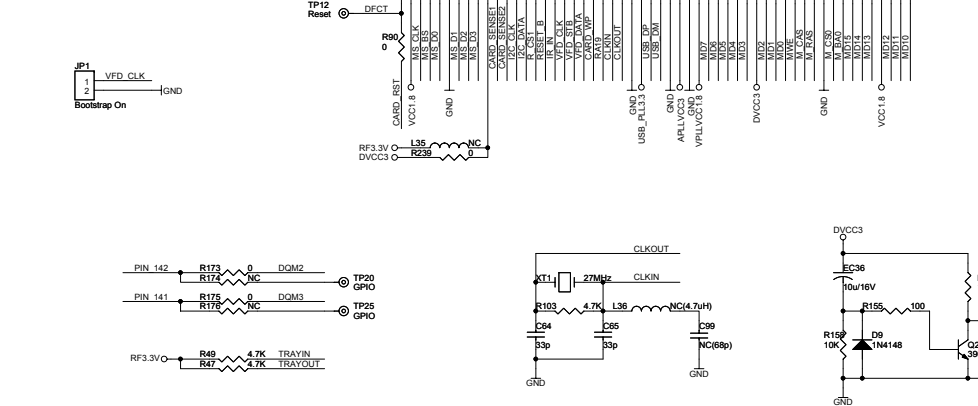
close to connector



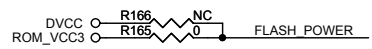
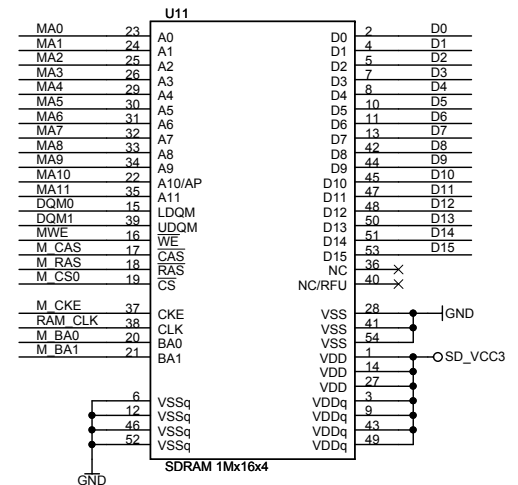
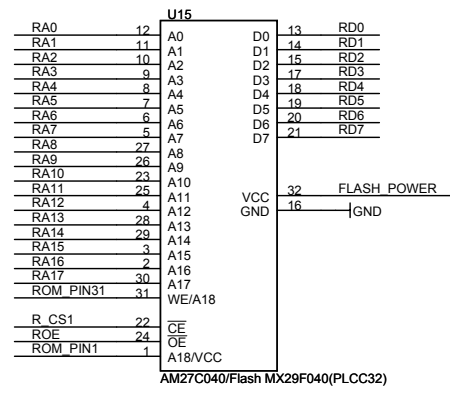
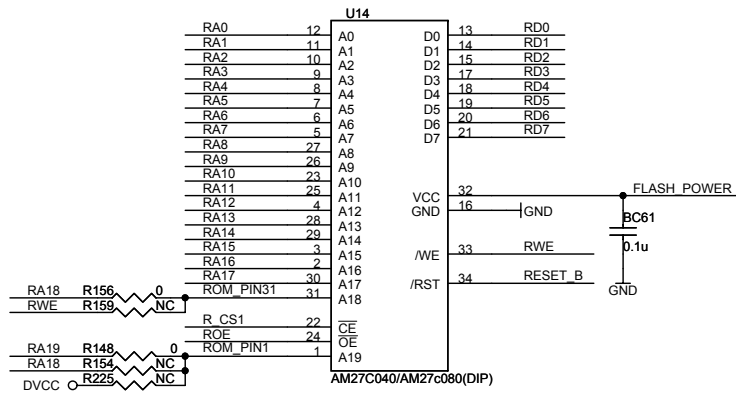
			R53	R62	C32	R63	C33		C32	R63	C33
Sanyo(HD62/HD6)	4.7	0	0	24K	1000P	68K	1000P		1500P		1000P
Sanyo(HD65)	5.1	0	0	2.2K	33K	1000P	68K	1000P	20K	1000P	39K
Samsung	5.1	5.1	0	0	2.2K	20K	1000P	91K	680P	12K	1500P
Mitsumi	5.1	5.1	0	0	2.2K	12K	1500P	68K	1000P	3.3K	2700P
Kenwood	5.1	5.1	0	0	4.7K	NOT SUPPORT	NOV	8.2K	1500P	91K	1000P
Thomson	5.1	5.1	240	0	2.2K	NOT SUPPORT	NOV	3.3K	2700P	12K	1500P



SPHE820D

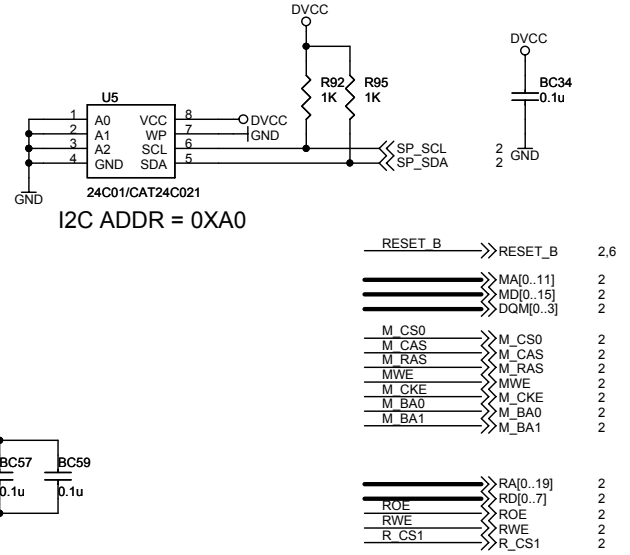
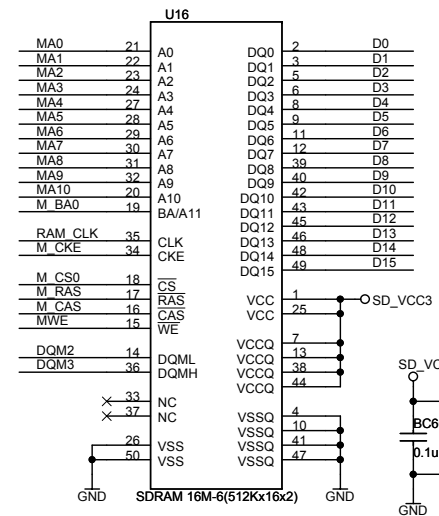
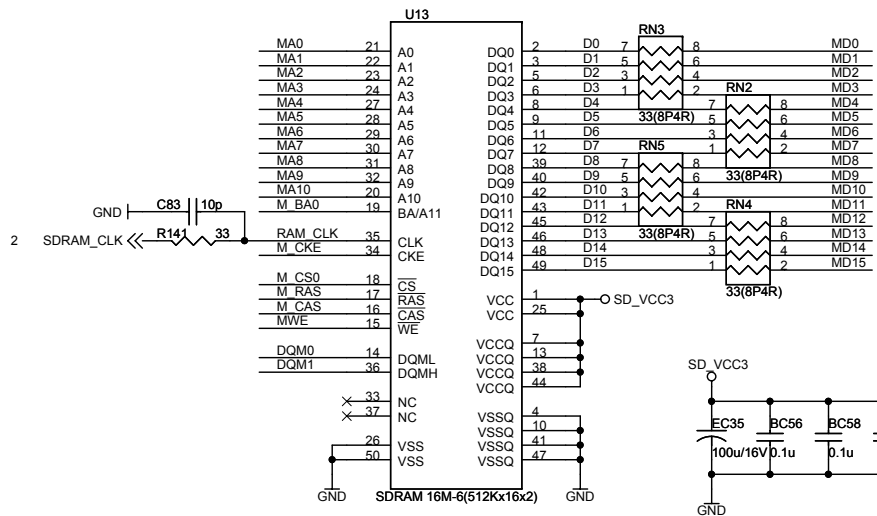


DV-P4930KDSM

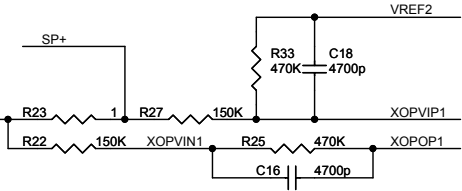
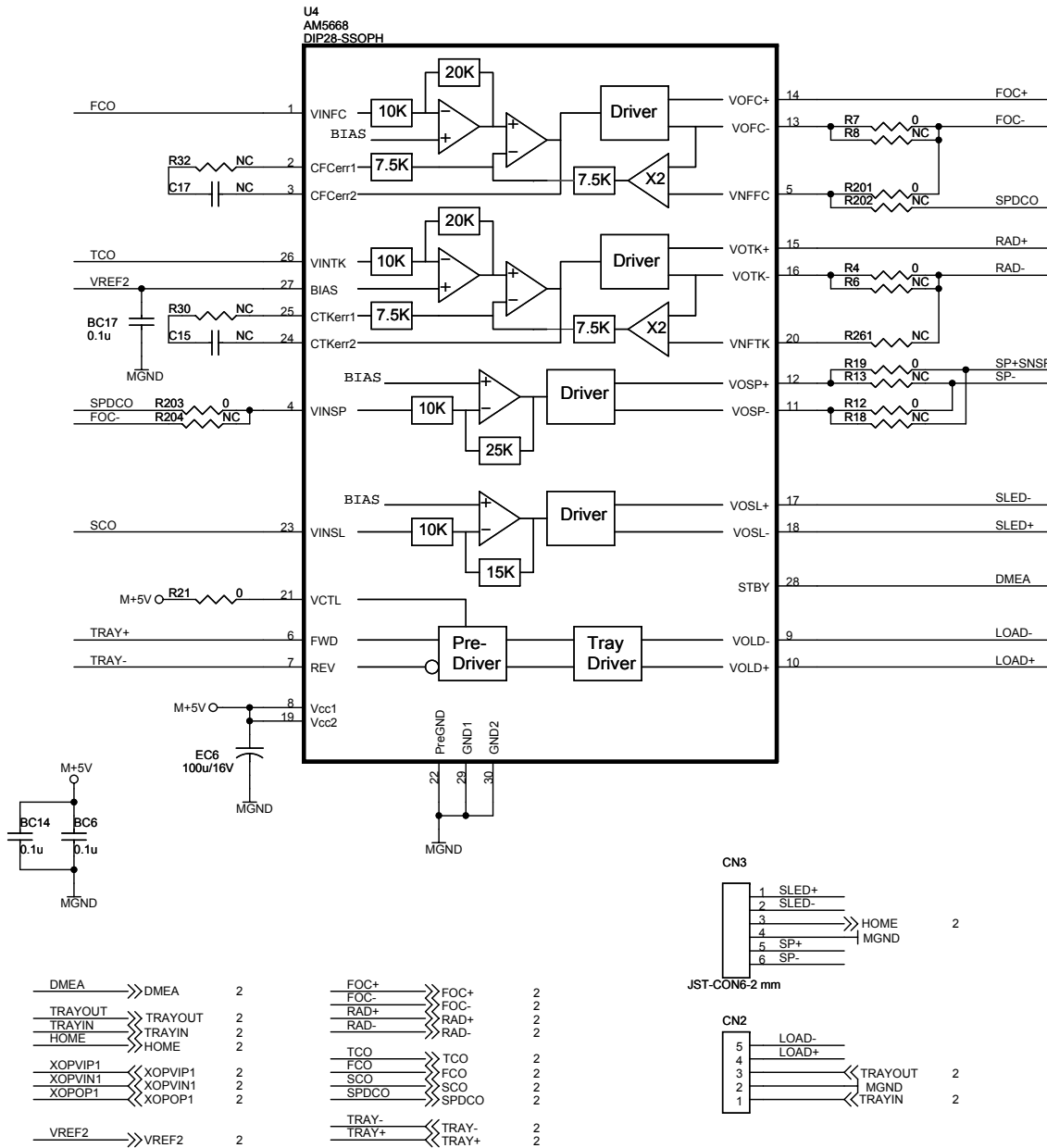


	R165	R166	R156	R159	R148	R154	R225
040 OTP	NC	0	0	NC	NC	NC	0
080 ROM	NC	0	0	NC	0	NC	NC
FLASH	0	NC	NC	0	0	NC	NC

EliteMT M12L64164A-5T  
 54-Pin TSOPII(400mil x 875mil)



DV-P4930KDSM



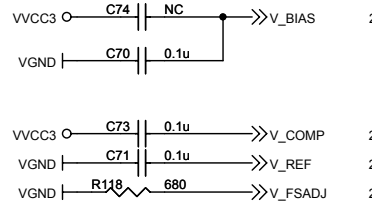
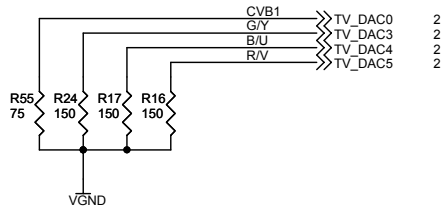
**Motor Driver Parameter**

	R13	R19	R12	R18	R7	R8	R4	R6	R30	R32	C15	C17	R261
AT5660 & AT5665	0	NC	NC	0	1	1	1	1	22K	22K	330p	330p	
AM5668	NC	0	0	NC	0	NC	0	NC	NC	NC	NC	NC	NC

	R201	R202	R203	R204
AT5660 & AM5668	0	NC	0	NC
AT5665	NC	0	NC	0

DV-P4930KDSM

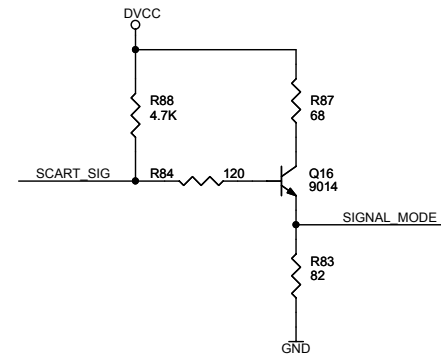
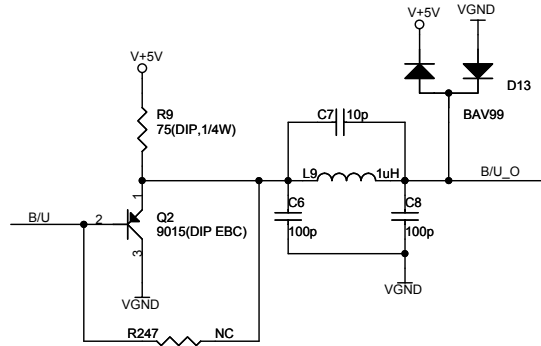
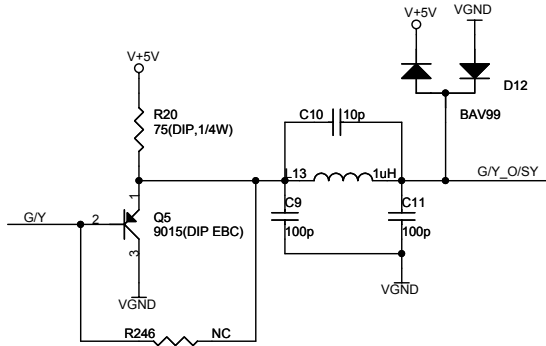
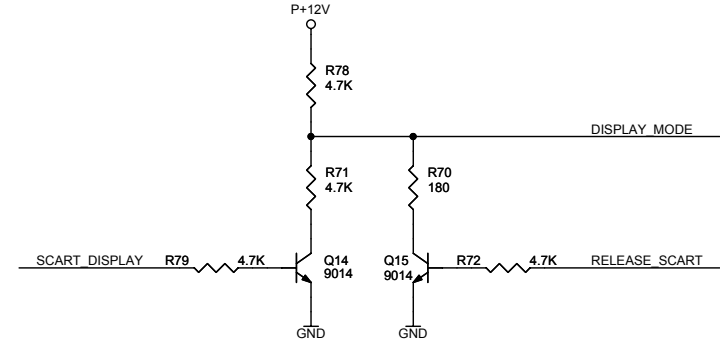
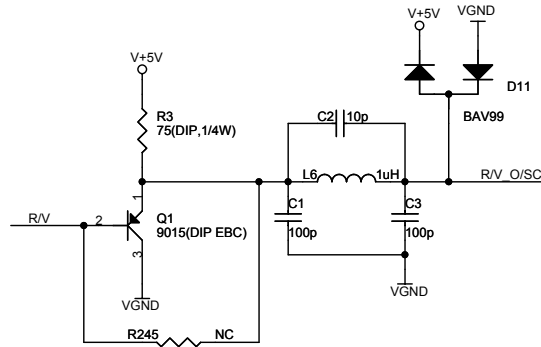
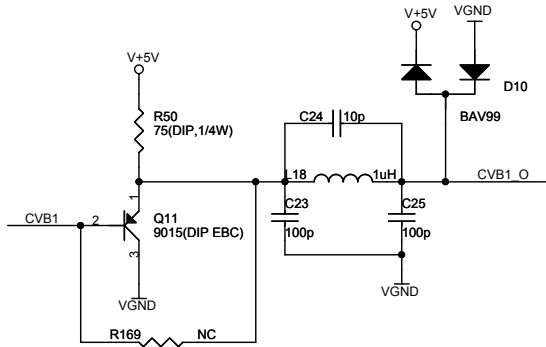




1/2 current config

TV0	TV3	TV4	TV5
CVB	Y	Cb	Cr
CVB	Y(S-Video)	CVB	C(S-Video)
CVB	G	B	R

VIDEO DAC	R118	R169	R245	R246	R247	R16	R17	R24
Full Current	390	0	0	0	0	75	75	75
Half Current	680	NC	NC	NC	NC	150	150	150



RELEASE_SCART	DISPLAY_MODE
1	

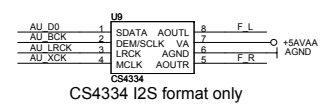
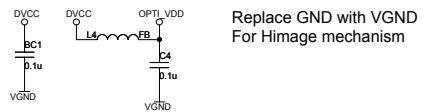
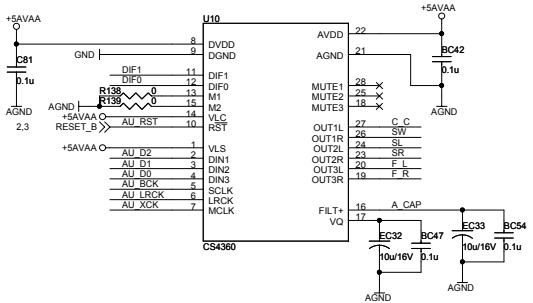
SCART_DISPLAY	DISPLAY_MODE
0	12V(9.5V--12V 4:3)
1	6V(5V--8V 16:9)

1	

SCART\_SIG << SCART\_SIG 2  
 SCART\_DISPLAY << SCART\_DISPLAY 2  
 RELEASE\_SCART << RELEASE\_SCART 2

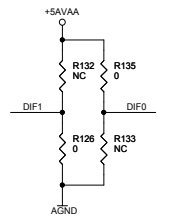
SIGNAL\_MODE << SIG\_MODE 1  
 DISPLAY\_MODE << DIS\_MODE 1

CVB1\_O >> CVB1\_O 1  
 G/Y\_O/SY >> G/Y\_O 1  
 >> Y\_O 1  
 R/V\_O/SC >> R/V\_O 1  
 >> Cr\_O 1  
 B/U\_O >> B/U\_O 1



**CS4360 Format**

DIF1	DIF0	AUDIO INTERFACE
0	0	LJ 24 bits
0	1	I2S
1	0	RJ 16bits
1	1	RJ 24 bits



**Internal DAC / External DAC setting (Default: Internal DAC)**

	R127	R128	R129	C78	C79	R142	R143	R144	C84	C85	R187	R188	R189	R190
Internal DAC	18K	47K	4.7K	1500P	120P	18K	47K	4.7K	1500P	120P	0	NC	0	NC
External DAC	20K	39K	10K	820P	100P	20K	39K	10K	820P	100P	NC	0	NC	0

