

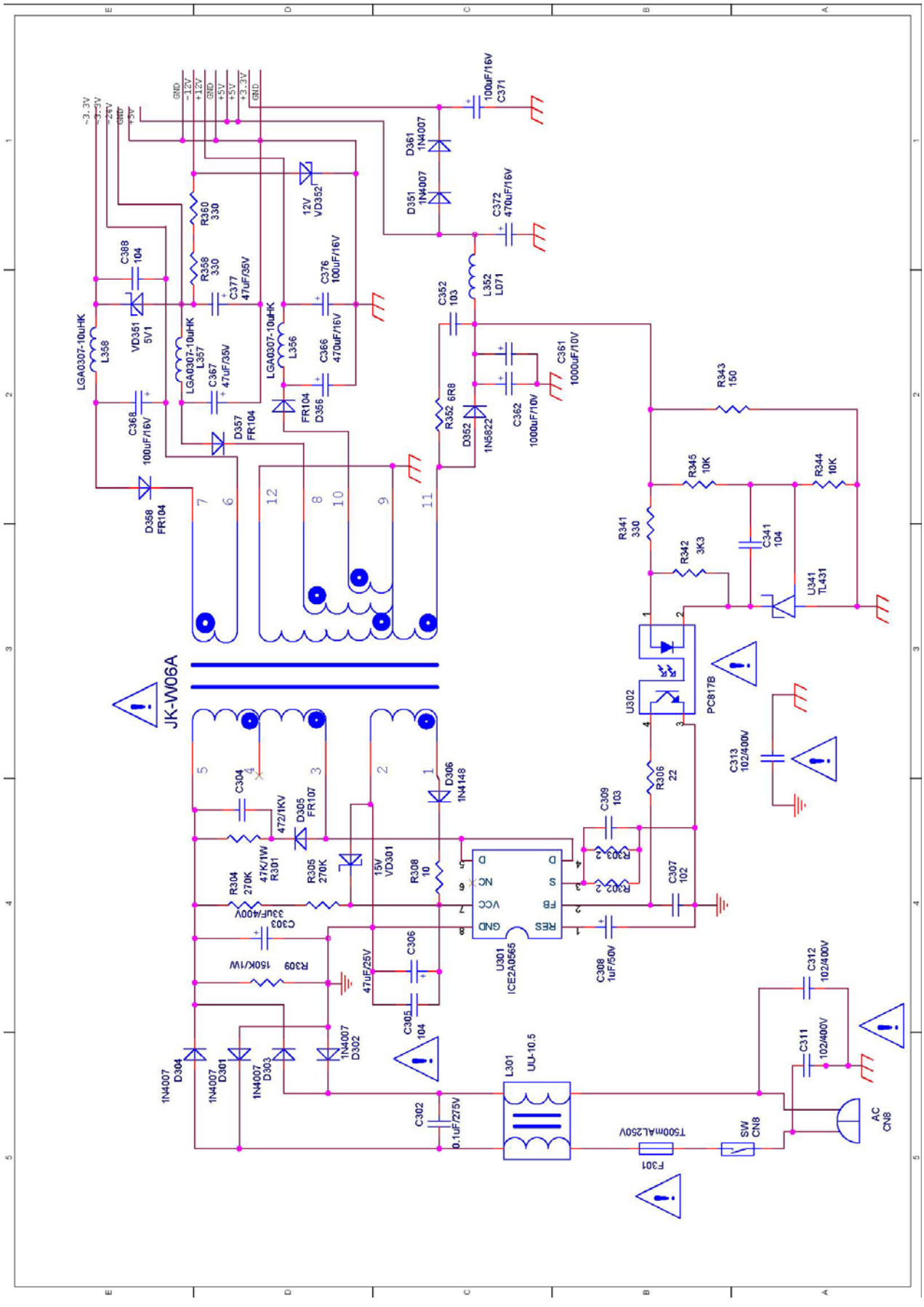


AKAI

DVD PLAYER

Model:
DV-P4780KDSM

SERVICE MANUAL



5 4 3 2 1

E D C B A

5

4

3

2

1

E

D

C

B

A

5

4

3

2

1

E

D

C

B

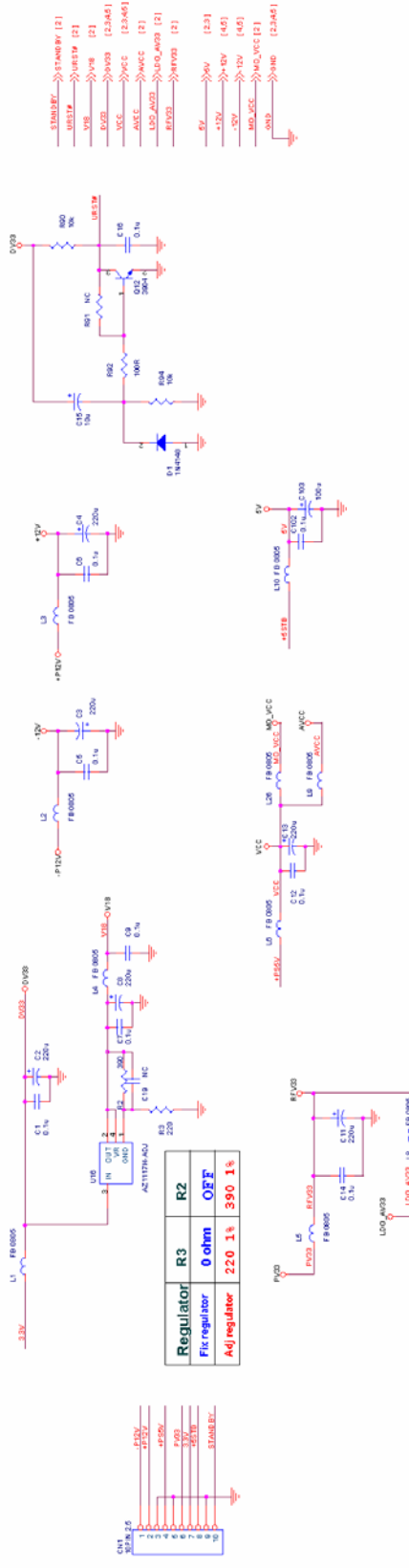
A

QS89EM6-11.4

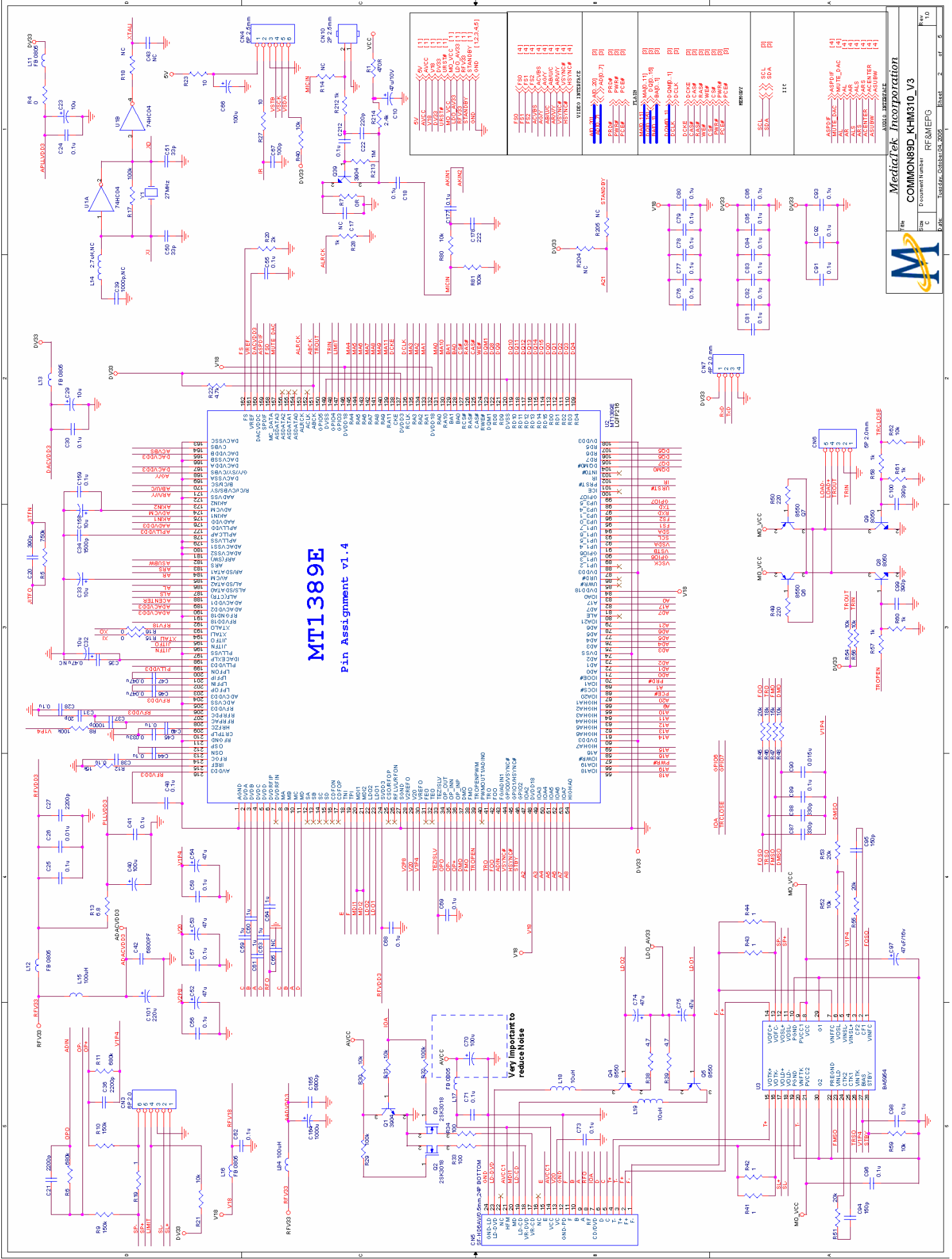
MT1389E DVD Demo Board for SANYO HD62 PUH

- 1 INDEX & POWER, RESET
- 2 SERVO / MPEG - MT1389E
- 3 MEMORY - SDRAM, FLASH/EEPROM
- 4 AUDIO / VIDEO FILTER

NAME	TYPE	DEVICE
VCC	Digital 5V	SUPPLY
DV33	Digital 3.3V	MT1389E
RV23	Servo 3.3V	MT1389E
LDC_AV33	Laser Diode 3.3V	PICKUP HEADER
AVCC	RF 5V	MT1389E
V18	Digital 1.8V	MT1389E
SD33	Digital 3.3V	SDRAM
+12V	Audio +12V	OP AMP.
-12V	Audio -12V	OP AMP.
AVDD	Audio 5V	Audio DAC
DVDD	Audio 5V	Audio DAC



Regulator	R3	R2
Fix regulator	0 ohm	OFF
Adj regulator	220 1%	390 1%



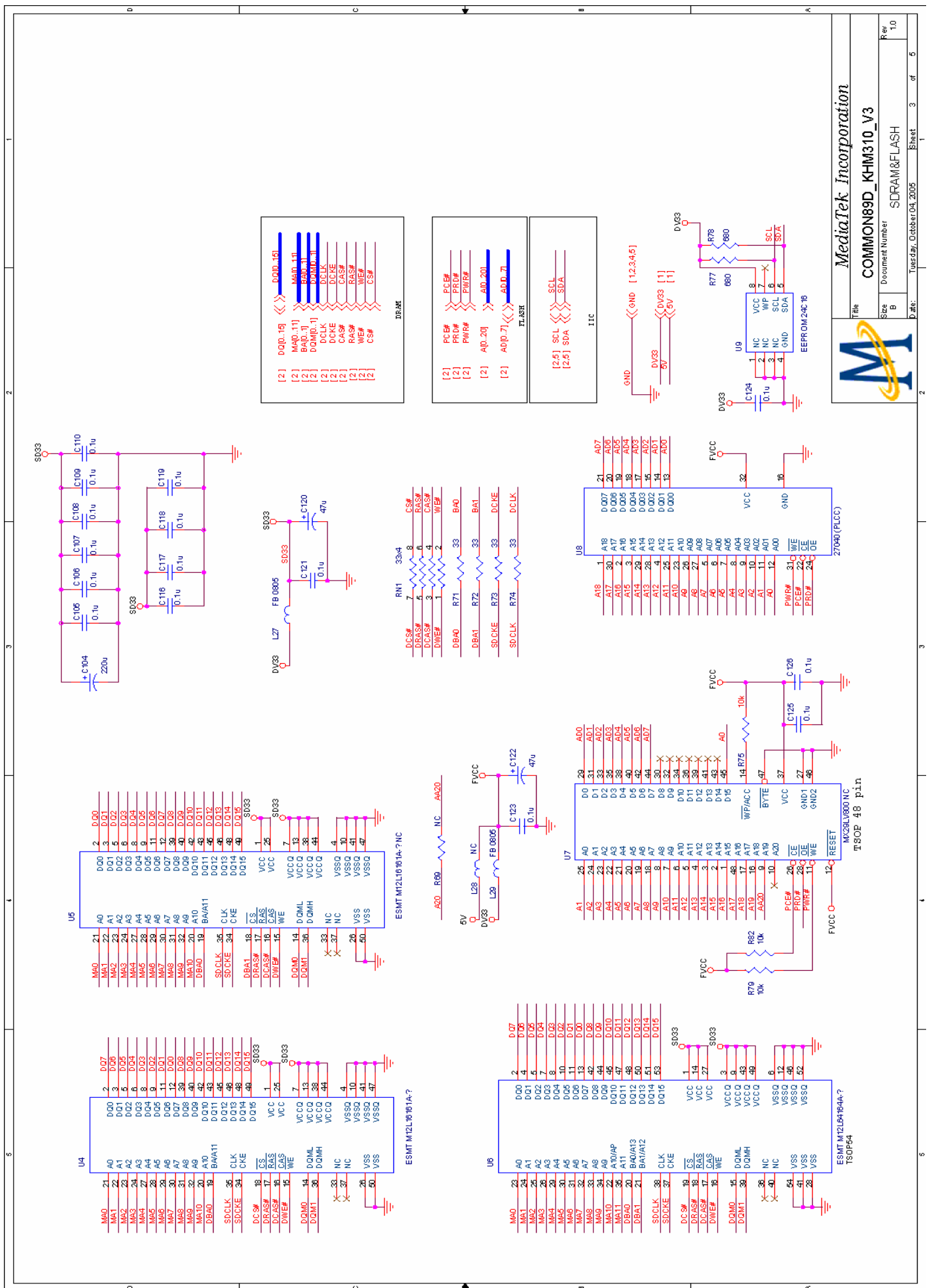
MT1389E

Pin Assignment v1.4

Pin	Signal	IO	Notes
1	AVCC	I	Supply Voltage
2	MD_VCC	I	Memory Supply Voltage
3	MD_VCC	I	Memory Supply Voltage
4	MD_VCC	I	Memory Supply Voltage
5	MD_VCC	I	Memory Supply Voltage
6	MD_VCC	I	Memory Supply Voltage
7	MD_VCC	I	Memory Supply Voltage
8	MD_VCC	I	Memory Supply Voltage
9	MD_VCC	I	Memory Supply Voltage
10	MD_VCC	I	Memory Supply Voltage
11	MD_VCC	I	Memory Supply Voltage
12	MD_VCC	I	Memory Supply Voltage
13	MD_VCC	I	Memory Supply Voltage
14	MD_VCC	I	Memory Supply Voltage
15	MD_VCC	I	Memory Supply Voltage
16	MD_VCC	I	Memory Supply Voltage



Mediatek Incorporation
COMMON89D_KHM310_V3
Document Number: RF5M1EFG
Date: 2008.08.20



DRAM

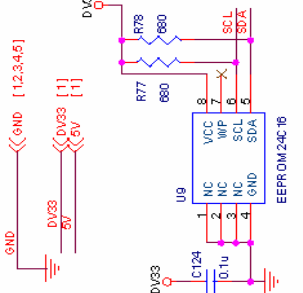
(2)	DQ00..15	<<<>>>>	DQ00..15
(2)	MA0..11	<<<>>>>	MA0..11
(2)	BA0..11	<<<>>>>	BA0..11
(2)	DOM0..11	<<<>>>>	DOM0..11
(2)	DCLK	<<<>>>>	DCLK
(2)	CAS#	<<<>>>>	CAS#
(2)	RAS#	<<<>>>>	RAS#
(2)	WE#	<<<>>>>	WE#
(2)	CS#	<<<>>>>	CS#

FLASH

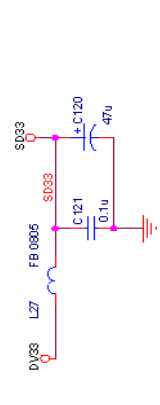
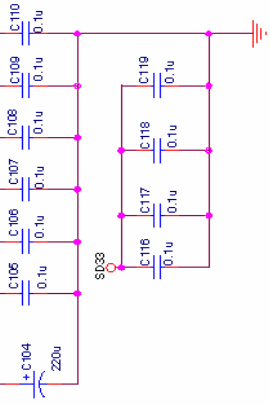
(2)	PCB#	<<<>>>>	PCB#
(2)	PRD#	<<<>>>>	PRD#
(2)	PWR#	<<<>>>>	PWR#
(2)	A0..20	<<<>>>>	A0..20
(2)	A00..71	<<<>>>>	A00..71

IIC

[2.5]	SCL	<<<>>>>	SCL
[2.5]	SDA	<<<>>>>	SDA

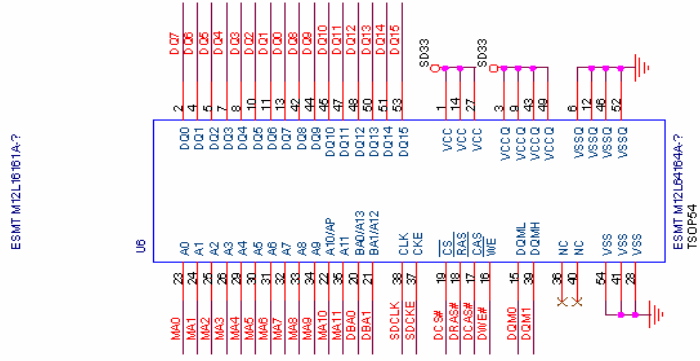
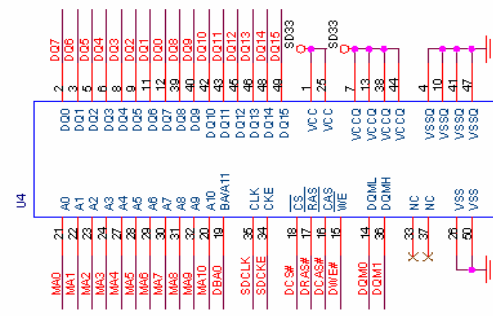
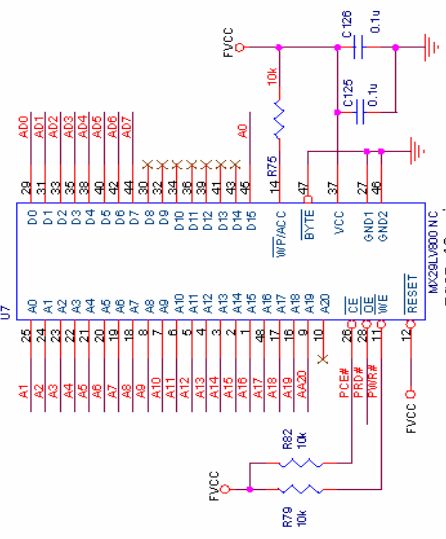
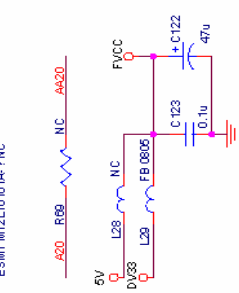
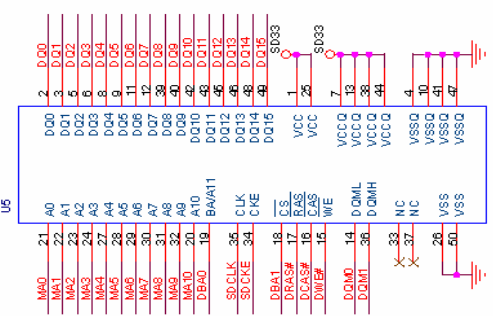
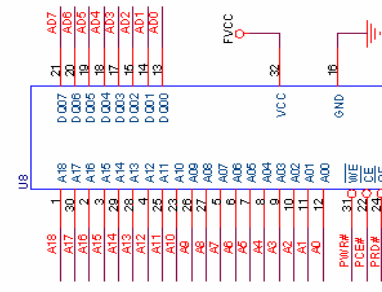


MediaTek Incorporation
COMMON89D_K1M310_V3
 Document Number
 SDRAM&FLASH
 Rev 1.0
 Tuesday, October 04, 2005
 Sheet 3 of 6



RESISTORS

RN1	32A-4
DCAS#	7
DRAS#	8
DCAS#	4
DWE#	2
DBA0	R71
DBA1	R72
SDCKE	R73
SDCLK	R74



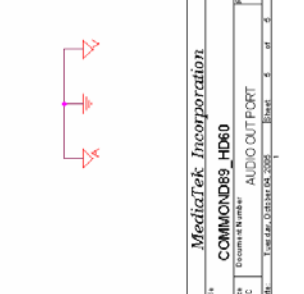
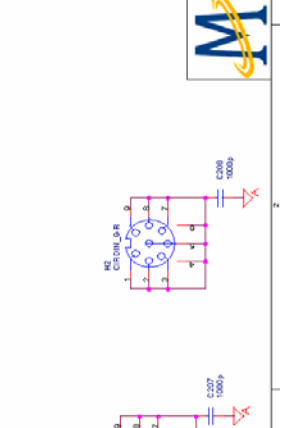
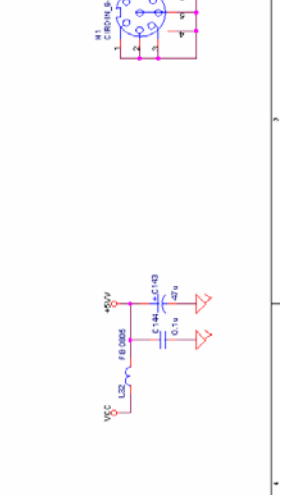
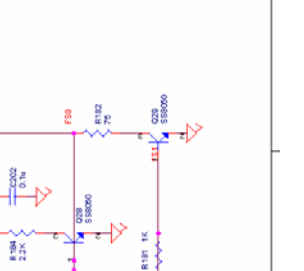
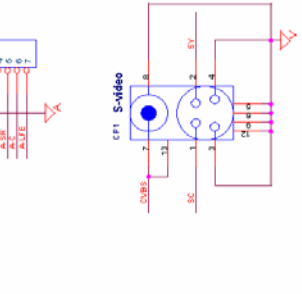
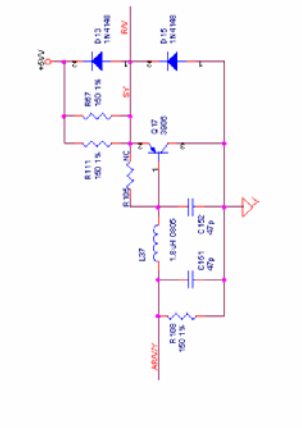
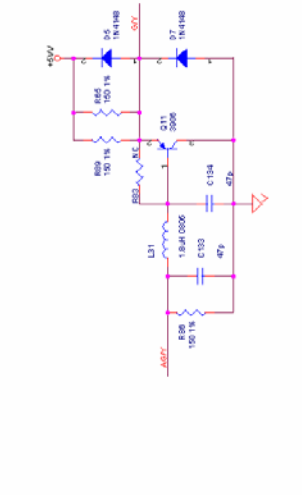
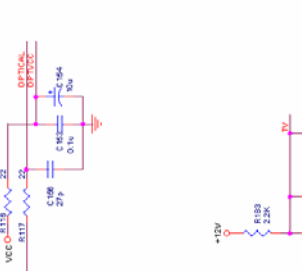
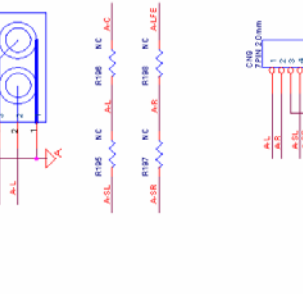
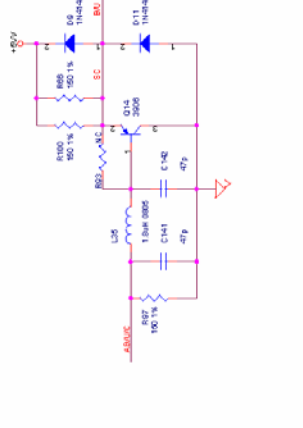
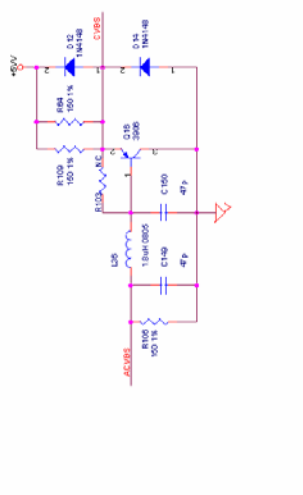
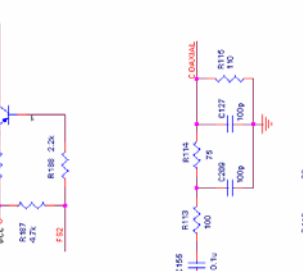
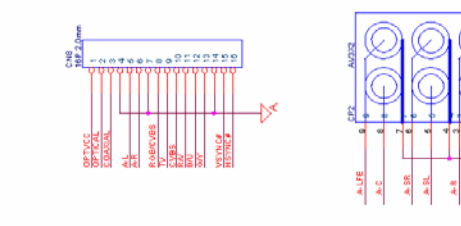
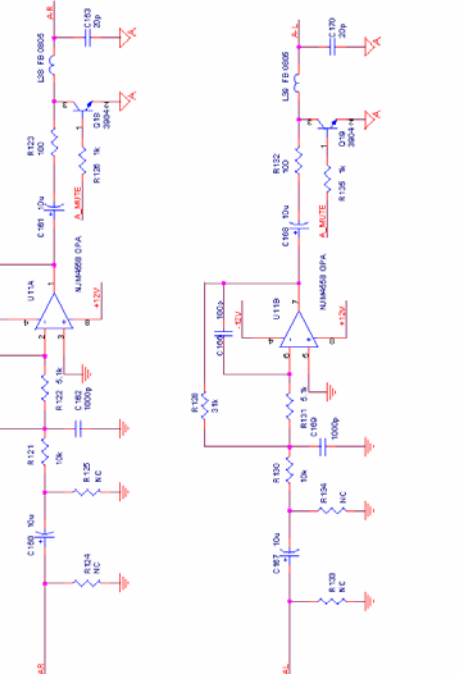
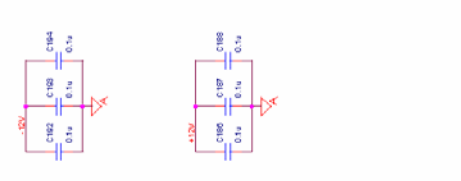
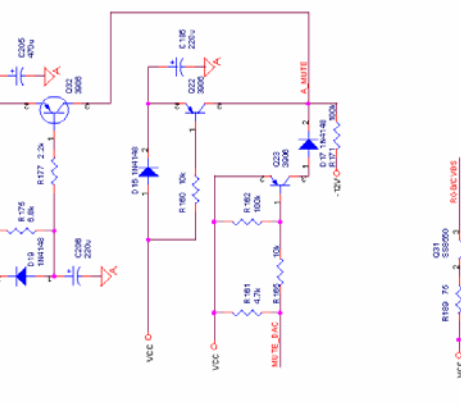
U6: ESMT M12L16161A-7

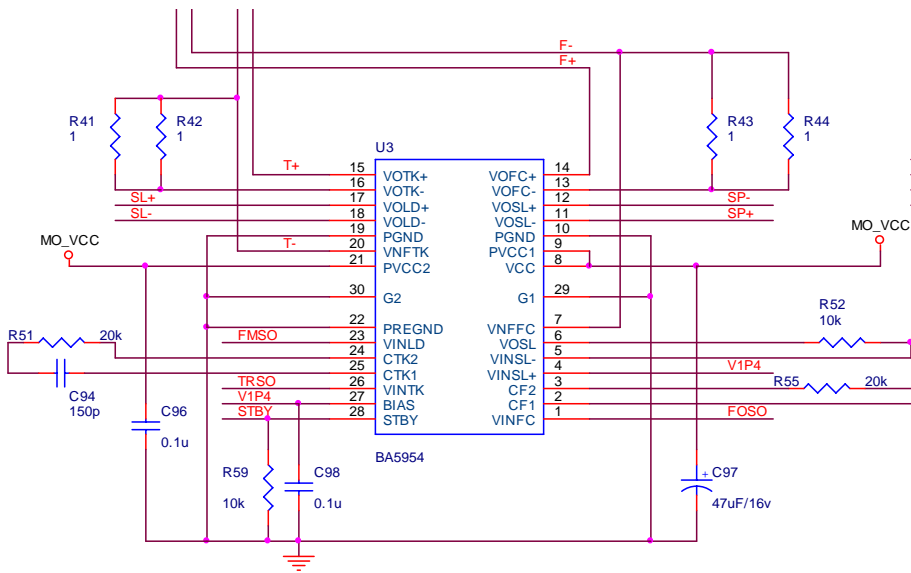
D00	2	D07
D01	4	D06
D02	5	D05
D03	7	D04
D04	8	D03
D05	10	D02
D06	11	D01
D07	13	D00
D08	14	D09
D09	44	D08
D10	45	D100
D11	47	D11
D12	48	D12
D13	40	D13
D14	18	BAT/A12
D15	53	D16
VCC	1	SD33
VCC	14	SD33
VCC	27	SD33
VCC	3	SD33
VCC0	8	VCC0
VCC1	43	VCC1
VCC2	46	VCC2
VSSQ	4	VSSQ
VSSQ	46	VSSQ
VSSQ	52	VSSQ

U5: TSOP64

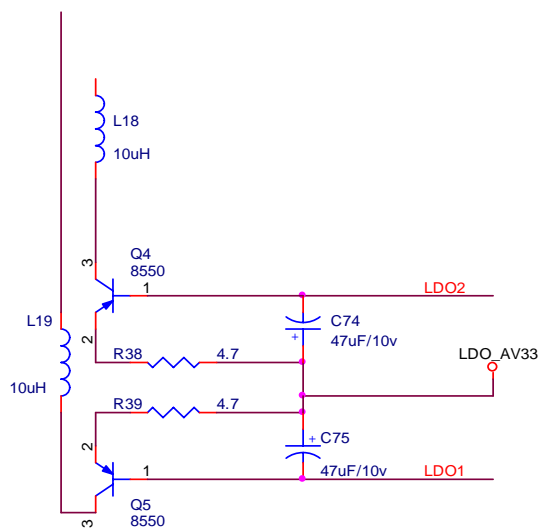
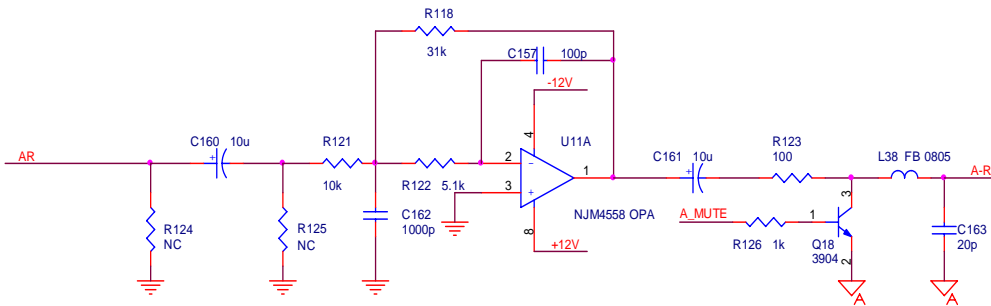
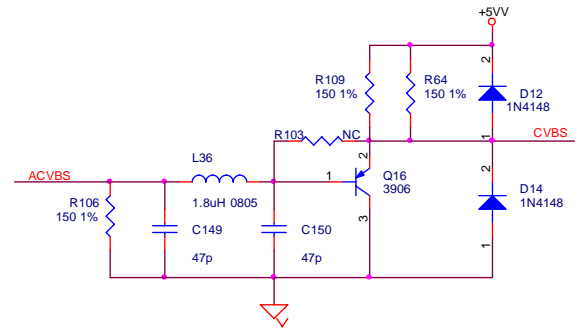
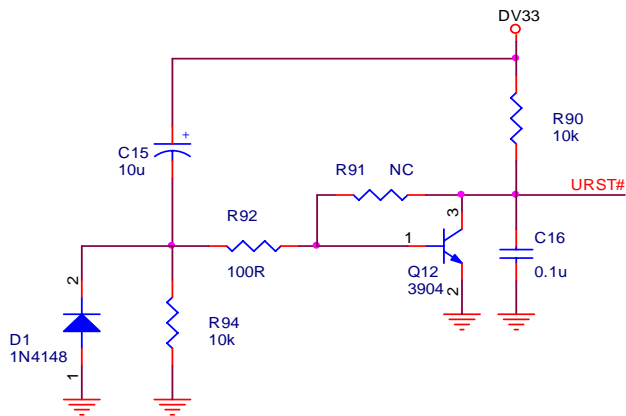
NC	28	NC
VSS	54	VSS
VSS	41	VSS
VSS	28	VSS

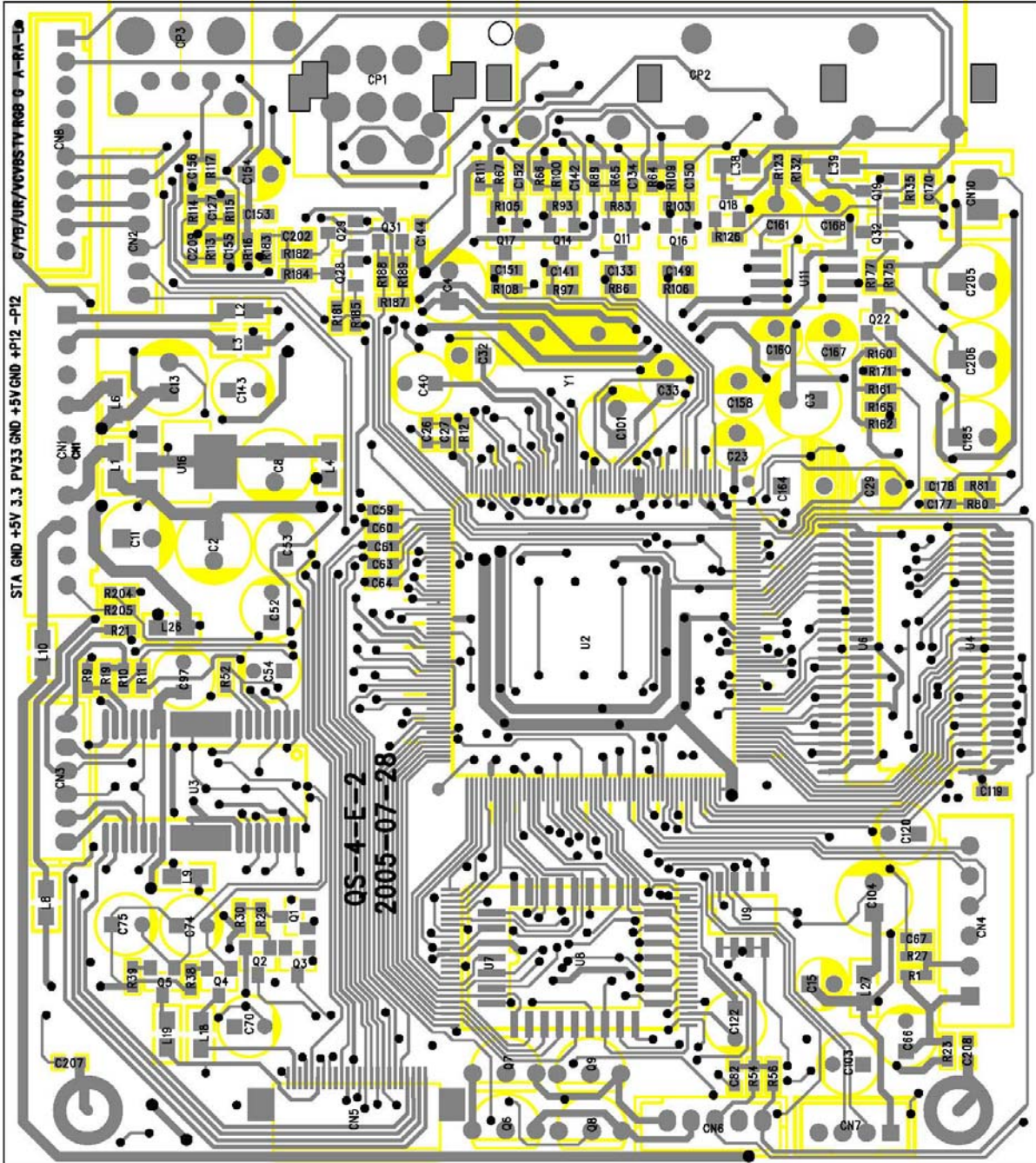
- [1] -12V
- [1] +12V
- [1] VCC
- [13,24] GND
- [2] MUTE_DAC
- [2] ASPPT
- [2] AL
- [2] AR
- [2] ALS
- [2] ARS
- [2] ACENTER
- [2] ASUBW
- [2] ACRES
- [2] ADV
- [2] ARUC
- [2] ARVC
- [2] VSTRIP
- [2] STRIP
- [2] FS
- [2] FS2





U2	MT1389DE/E
U3	FAN8024CD
U7	A29L800UV-70
U9	24C02
U4	HY57V161610 TC-7
U11	F4558
U1	ET6202
U301	ICE2A0565





STA GND +5V 3.3 PV33 GND +5V GND +P12 -P12 67/79/UR/VCV85TVR8B G A-RA-D

QS-4-E-2
2005-07-28

