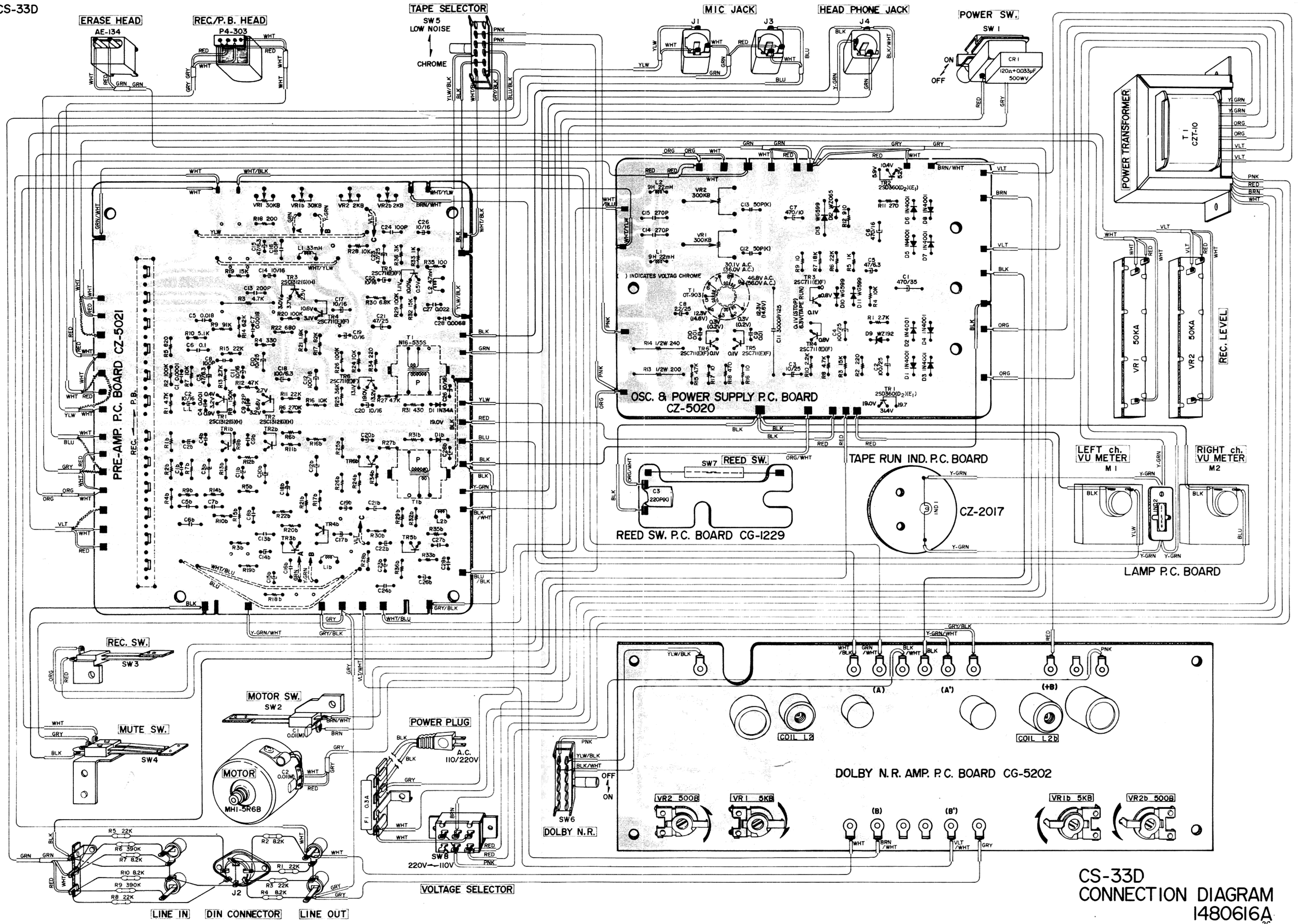


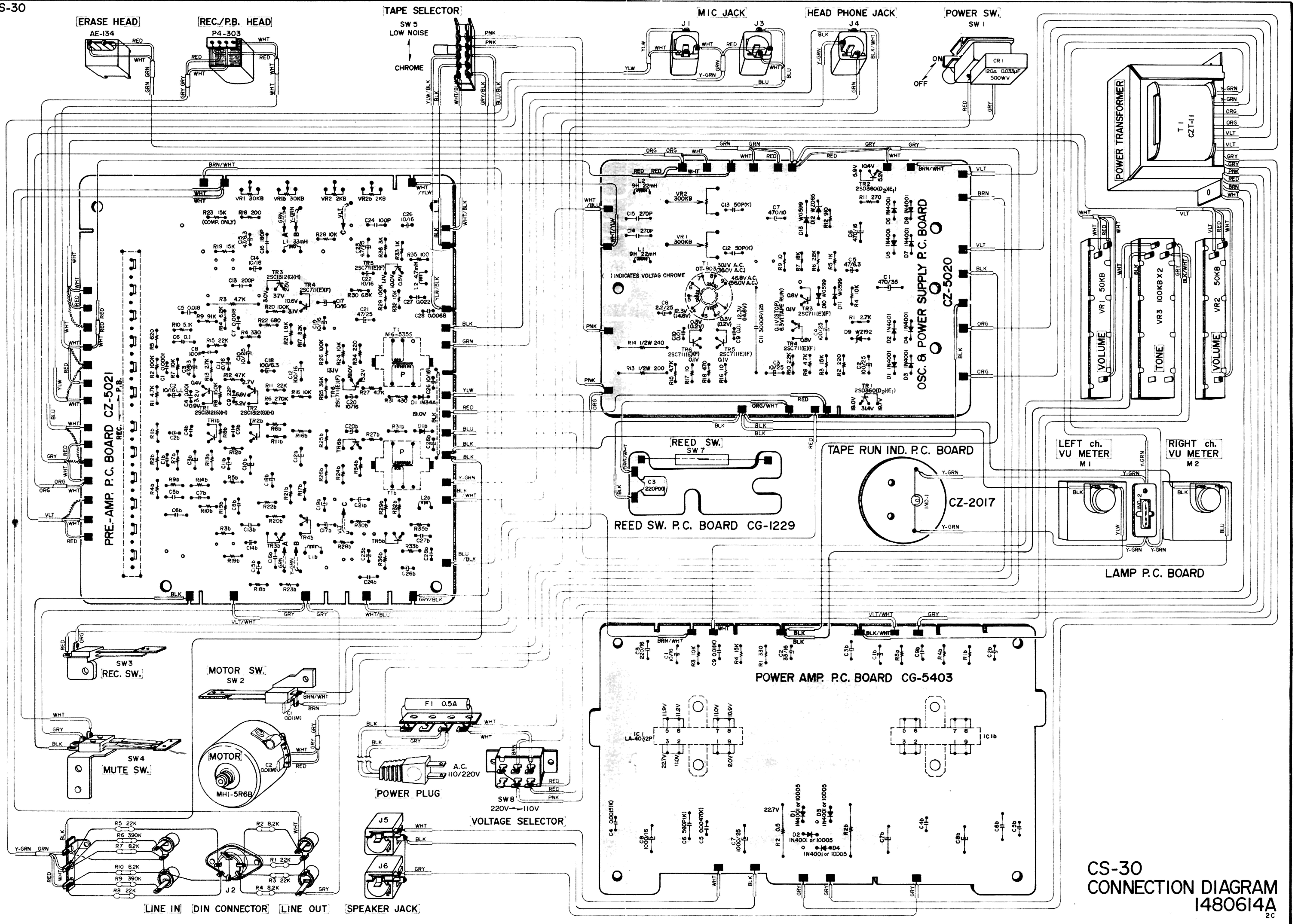
SECTION 3

CONNECTION DIAGRAM

1. CS-33D CONNECTION DIAGRAM 1480616A
2. CS-30 CONNECTION DIAGRAM 1480614A
3. CS-30D CONNECTION DIAGRAM 1480612A

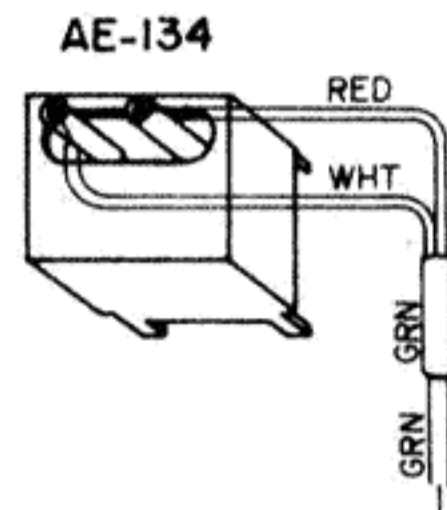


CS-33D
 CONNECTION DIAGRAM
 1480616A

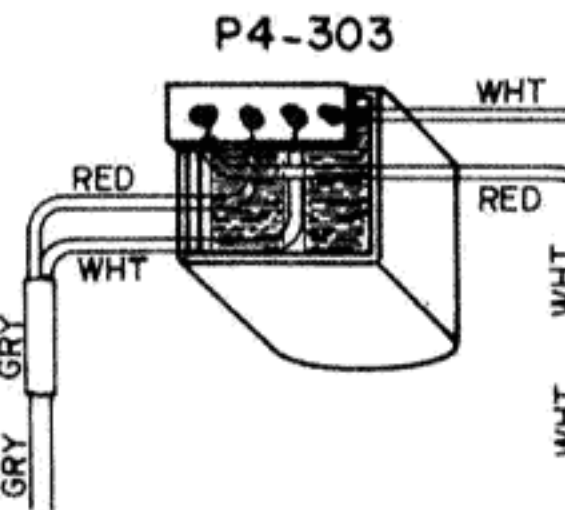


CS-30
 CONNECTION DIAGRAM
 1480614A
 2C

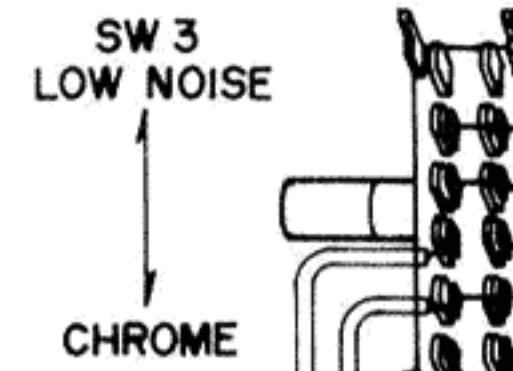
ERASE HEAD



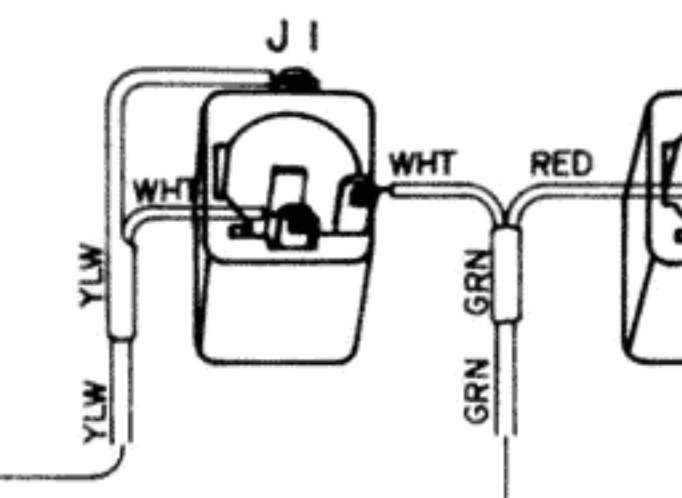
REC./P.B. HEAD



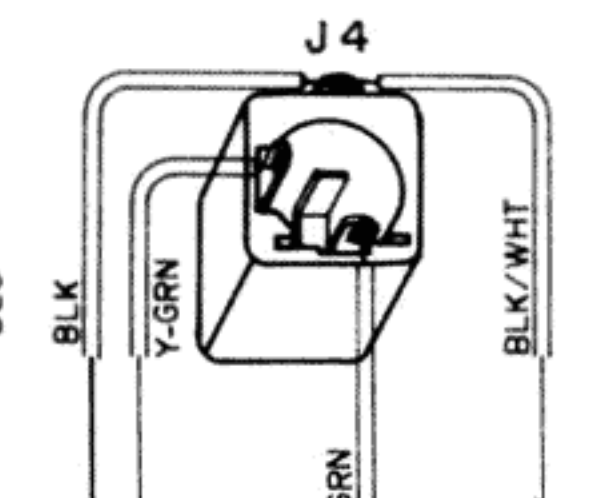
TAPE SELECTOR



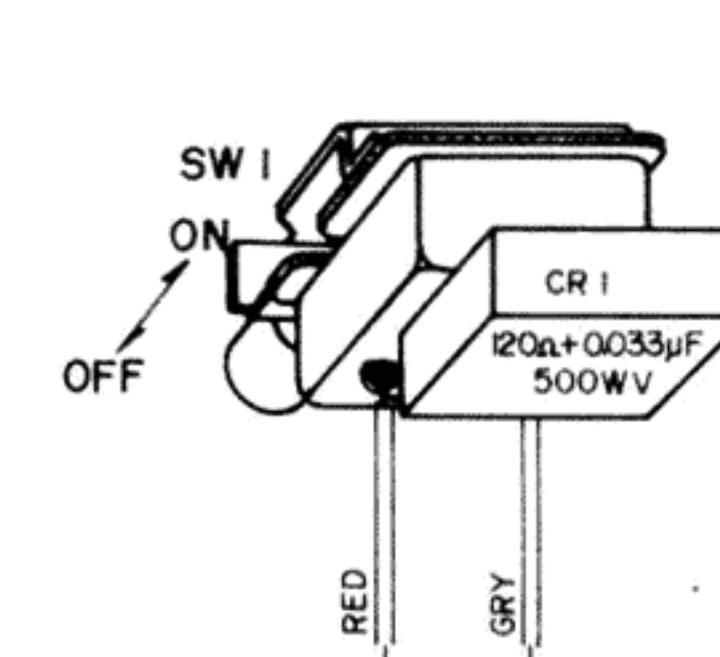
MIC JACK



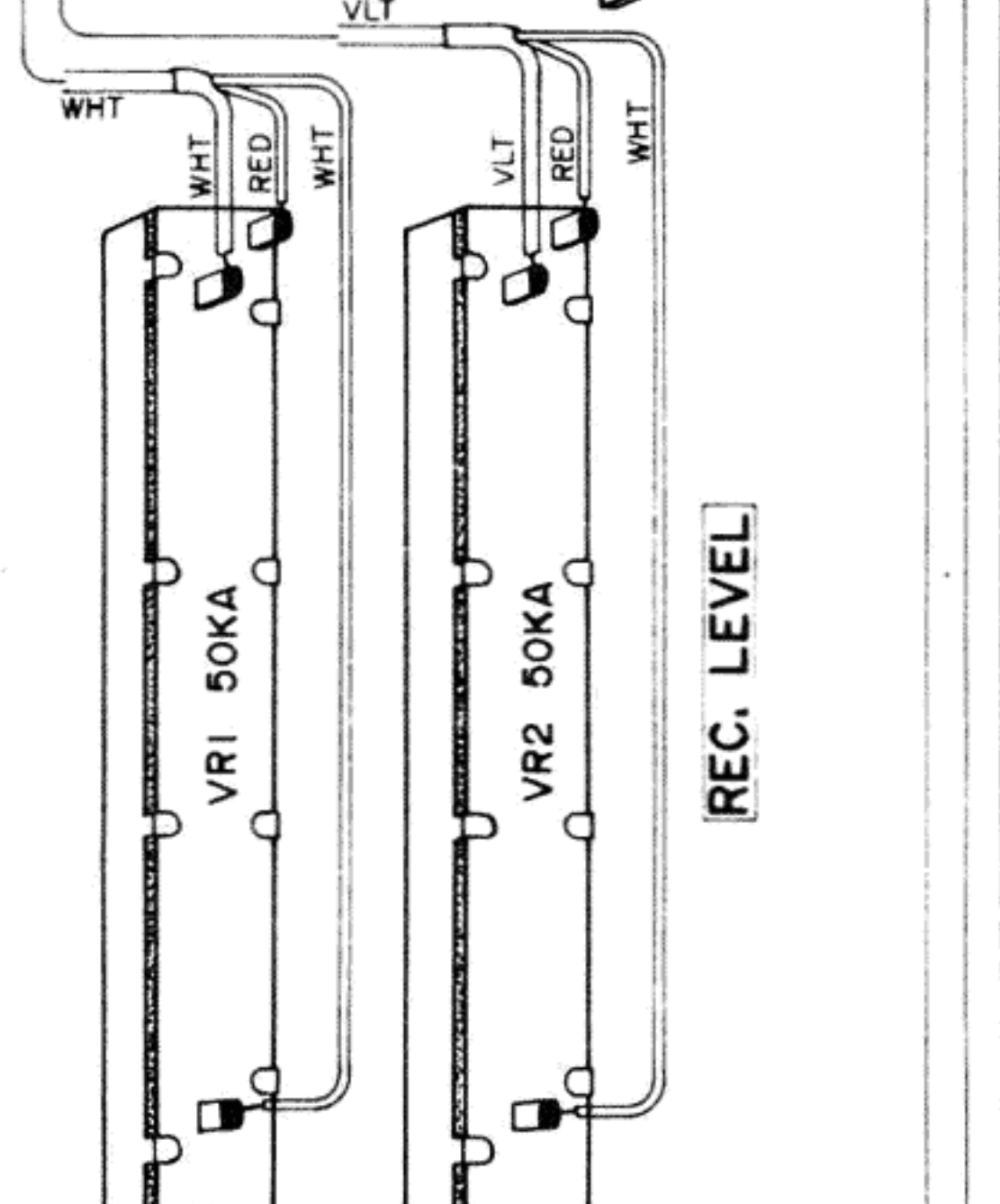
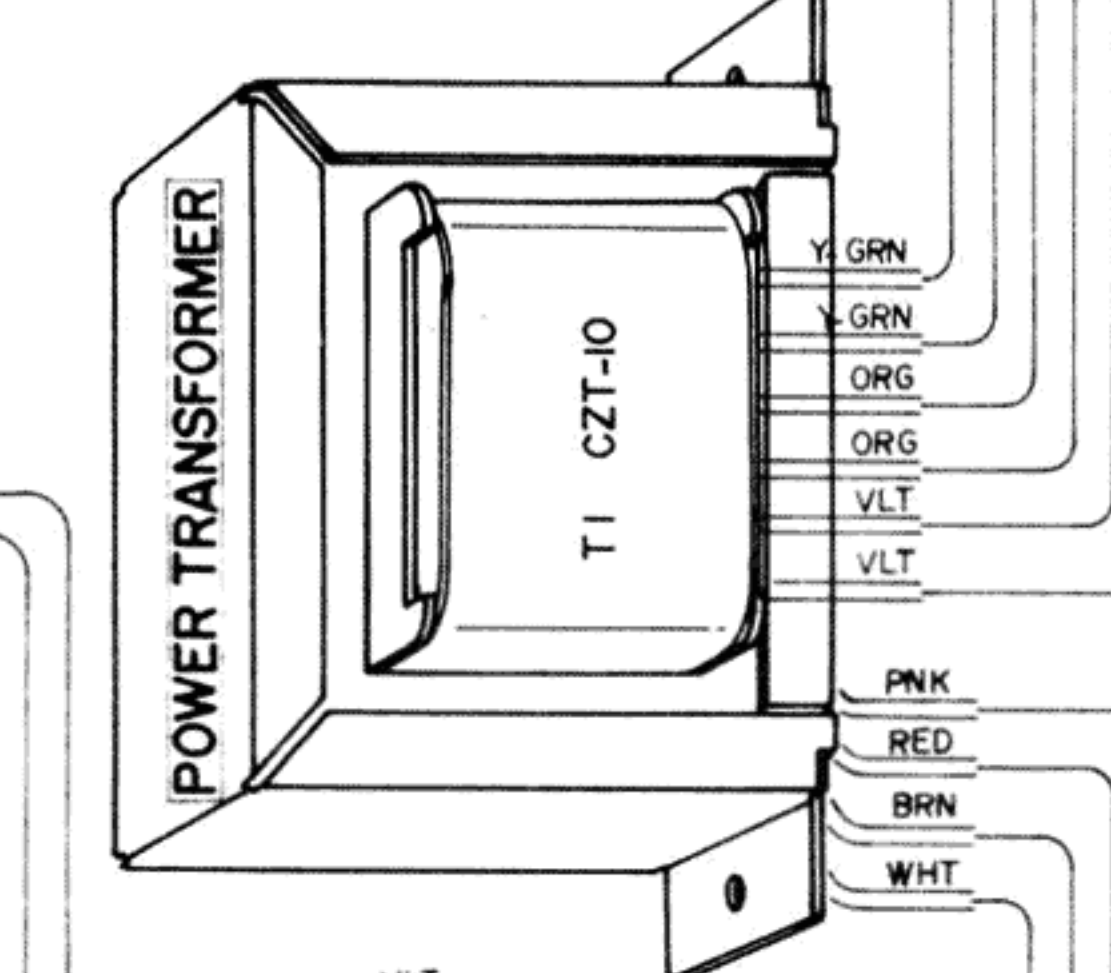
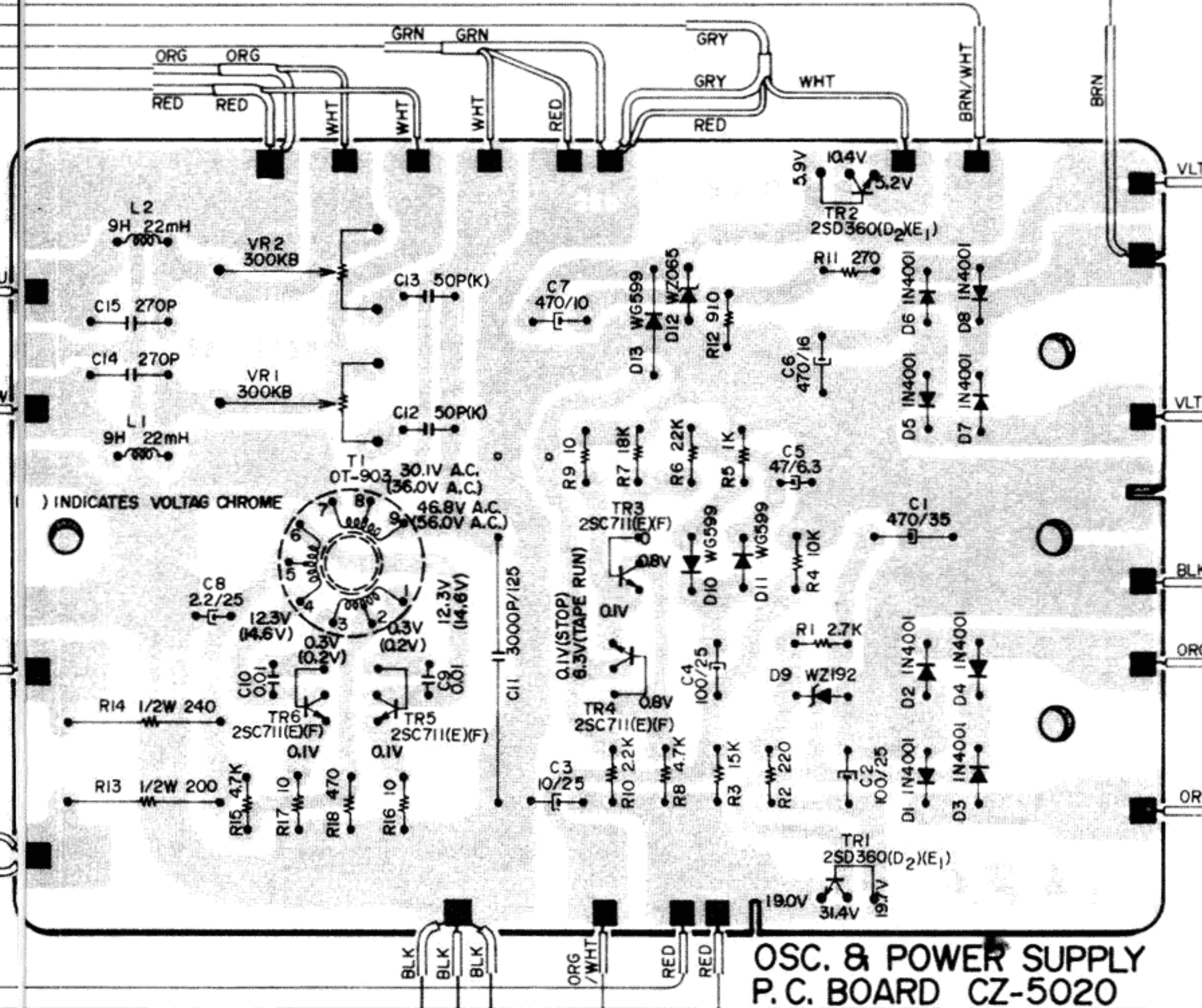
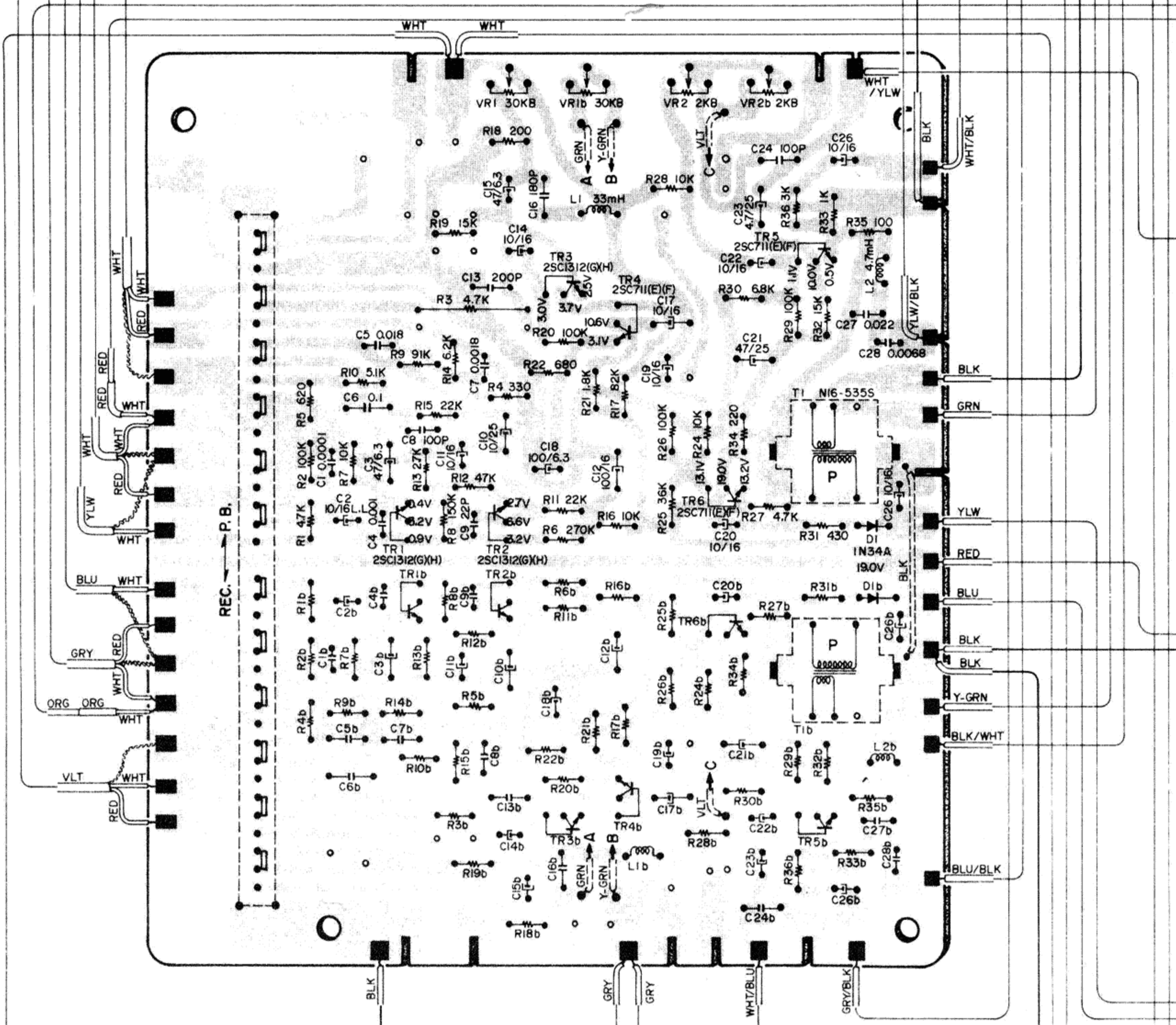
HEAD PHONE JACK



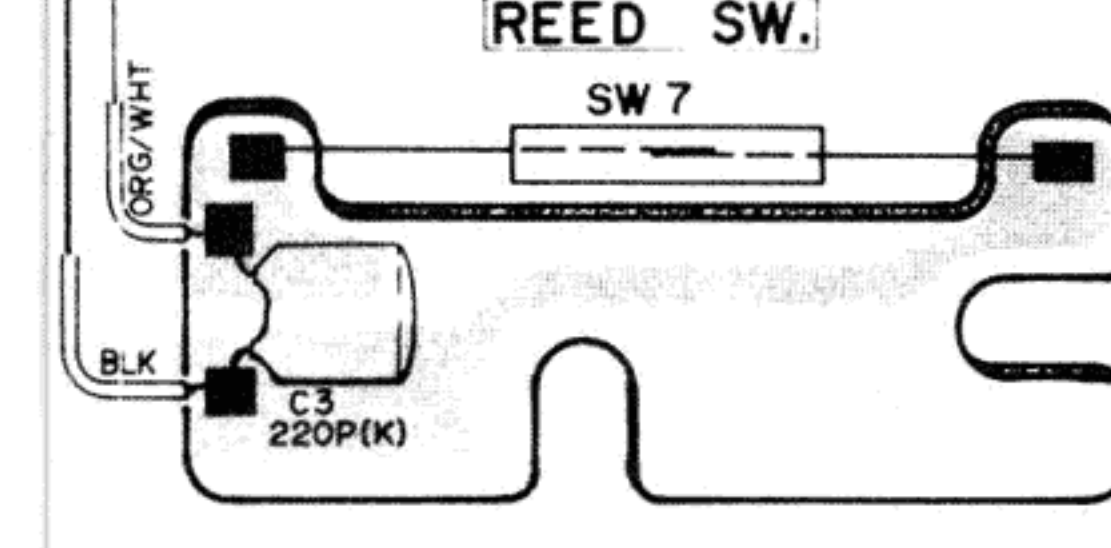
POWER SW.



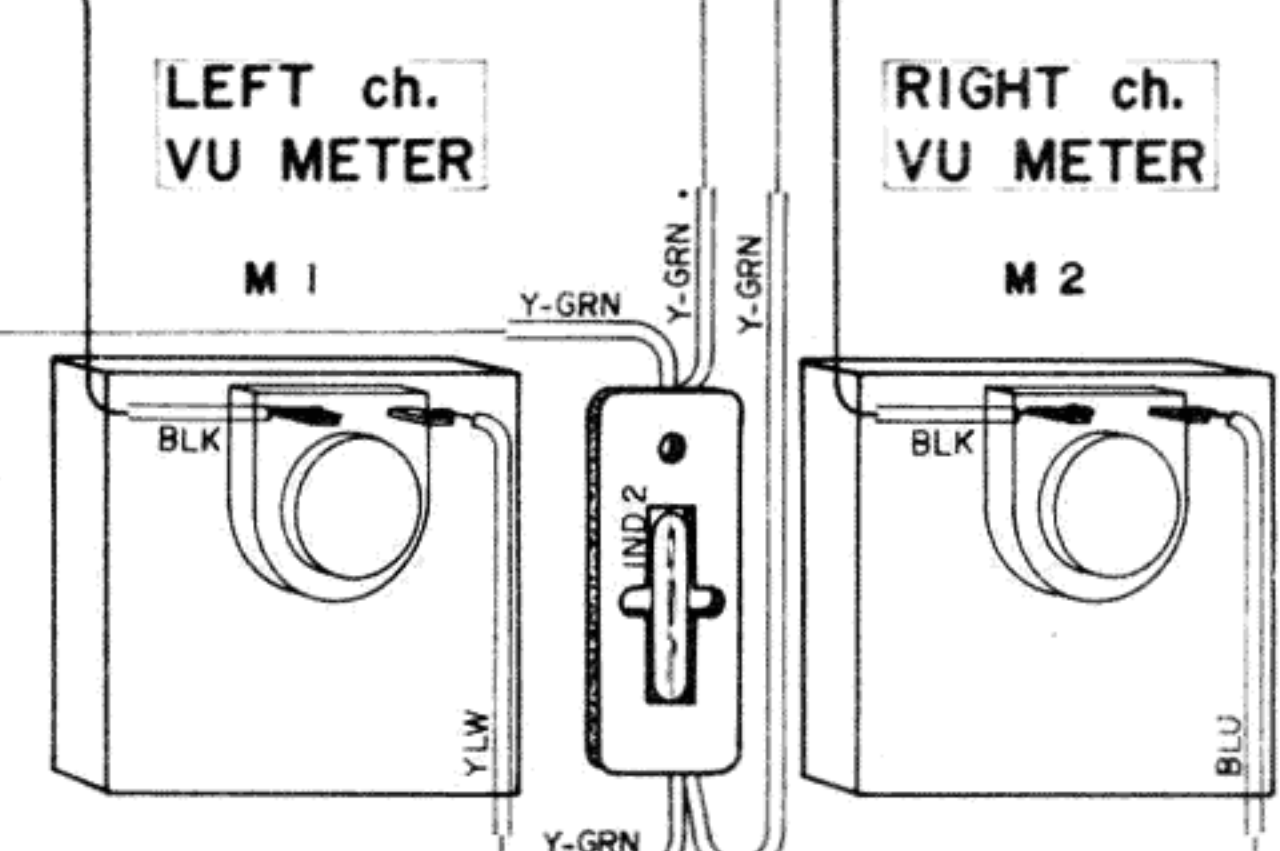
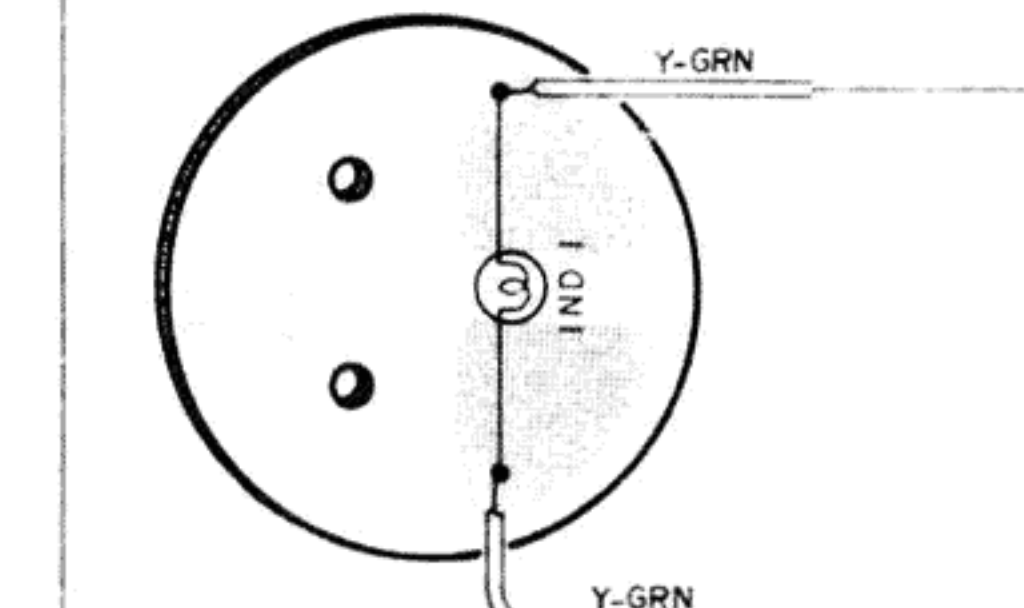
PRE. AMP. P.C. BOARD CZ-5021



REED P.C. BOARD CG-1229



TAPE RUN IND. P.C. BOARD CZ-2017



LAMP P.C. BOARD

