

## SECTION 2

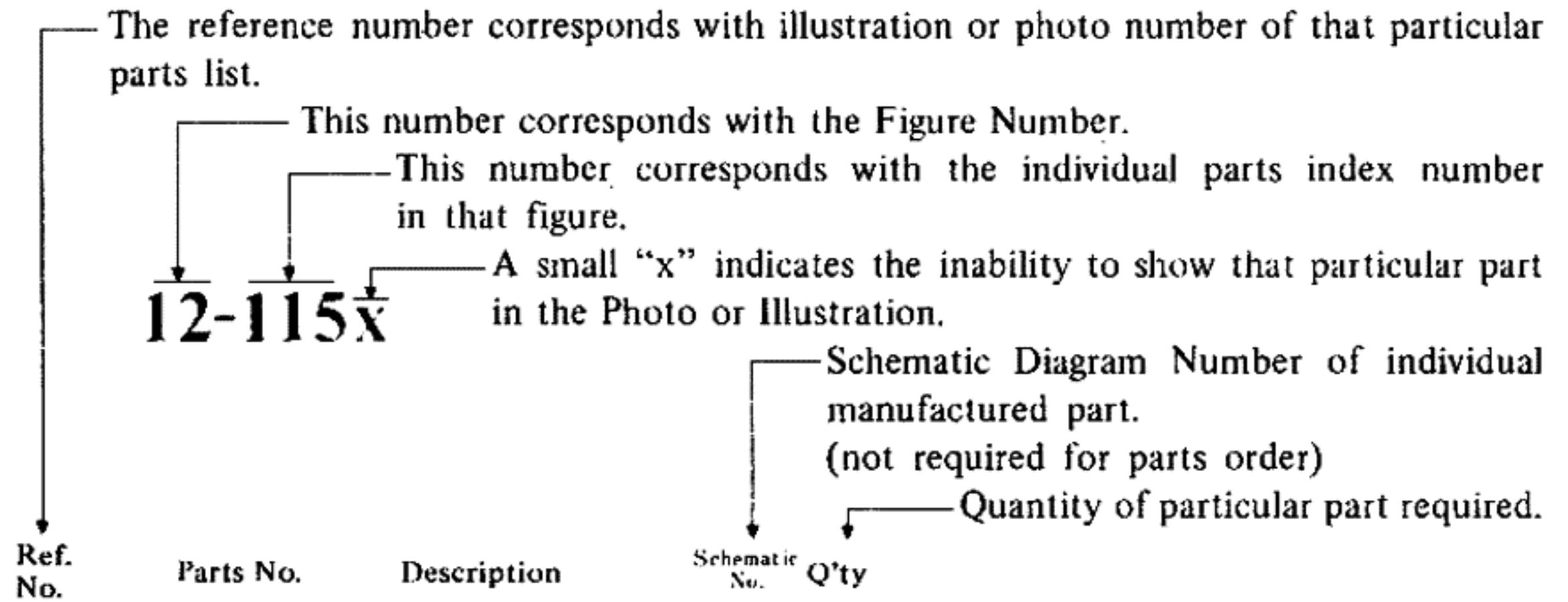
# PARTS LIST

### TABLE OF CONTENTS

FIG. 1	CZ MECH. BLOCK .....	18
FIG. 2	MECH. FRAME ASSEMBLY BLOCK .....	20
FIG. 3	PRE-AMP. P.C. BOARD (CZ-5021) BLOCK .....	22
FIG. 4	OSC., POWER SUPPLY P.C. BOARD (CZ-5020) BLOCK .....	24
FIG. 5	DOLBY P.C. BOARD (CG-5202) BLOCK .....	25
FIG. 6	MAIN AMP. P.C. BOARD (CG-5403) BLOCK .....	26
FIG. 7	AMP. ASSEMBLY BLOCK .....	27
FIG. 8	FINAL ASSEMBLY BLOCK .....	29

## HOW TO USE THIS PARTS LIST

1. This parts list is compiled by various individual blocks based on assembly process.
2. When ordering parts, please describe parts number, serial number, and model number in detail.
3. How to read List



**FLYWHEEL BLOCK #13**

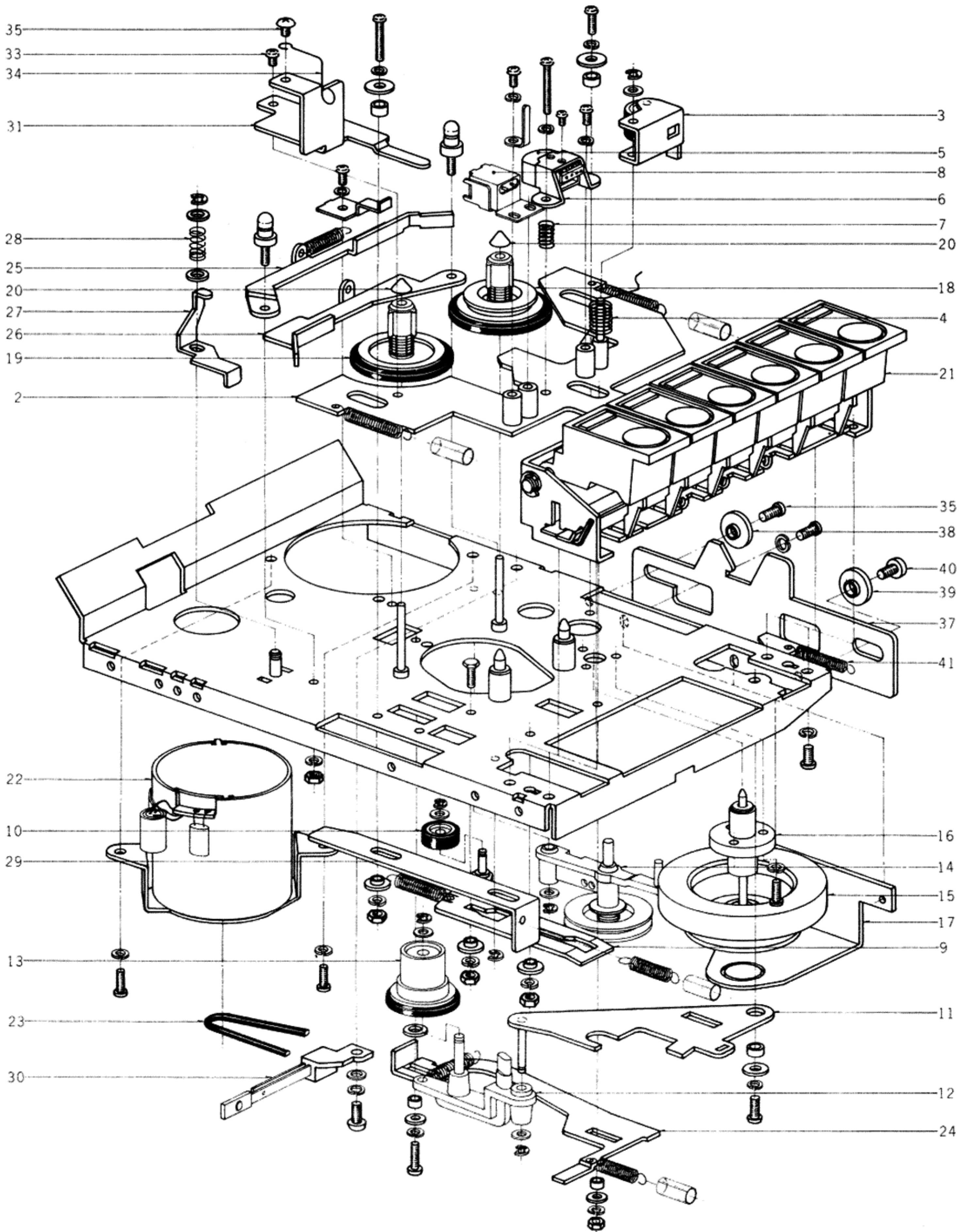
12-115x	800425	Flywheel Block Assy. Comp.	RID-13	1
12-116	244506	Flywheel Only	RID-233	1
12-117x	244754	Felt, Flywheel	RID-275	1
12-118	251324	Main Metal Case	RID-236	1
12-119	253080	Main Metal	RID-237	1

4. The symbol numbers shown on the P.C. Board list can be matched with the Composite Views of Components of the Schematic Diagram or Service Manual.
5. The indications of Resistors and Capacitors in the photos of P.C. Board are being eliminated.
6. The shape of the parts and parts name, etc. can be confirmed by comparing them with the parts shown on the Electrical Parts Table of P.C. Board.
7. Both the kind of part and installation position can be determined by the Parts Number. To determine where a parts number is listed, utilize Parts Index at end of Parts List.  
It is necessary first of all to find the Parts Number. This can be accomplished by using the Reference Number listed at right of parts number in the Parts Index. (meaning of ref. no. outlined in Item 3 above).
8. Utilize separate "Price List for Parts" to determine unit price. The most simple method of finding parts Price is to utilize the reference number.

# ELECTRICAL PARTS TABLE

<p>Because the indication of resistors and capacitors in the P.C. Board photos are being eliminated, please confirm parts name and shape by comparing them with the parts shown in this table.</p>	<p style="text-align: center;">1</p>  <p style="text-align: center;">Solid Resistor</p>	<p style="text-align: center;">2</p>  <p style="text-align: center;">Insulator Type Carbon Resistor</p>	<p style="text-align: center;">3</p>  <p style="text-align: center;">Metal Oxide Film Resistor</p>
<p style="text-align: center;">4</p>  <p style="text-align: center;">Cement Resistor</p>	<p style="text-align: center;">5</p>  <p style="text-align: center;">Wire-Wound Resistor</p>	<p style="text-align: center;">6</p>  <p style="text-align: center;">Thermister</p>	<p style="text-align: center;">7</p>  <p style="text-align: center;">Enamel Resistor</p>
<p style="text-align: center;">1</p>  <p style="text-align: center;">MP Capacitor (Tubular Type)</p>	<p style="text-align: center;">2</p>  <p style="text-align: center;">Plastic Capacitor</p>	<p style="text-align: center;">3</p>  <p style="text-align: center;">Mylar Capacitor</p>	<p style="text-align: center;">4</p>  <p style="text-align: center;">VFM (Hi-Q) Capacitor</p>
<p style="text-align: center;">5</p>  <p style="text-align: center;">Mylar Capacitor</p>	<p style="text-align: center;">6</p>  <p style="text-align: center;">Tantalum Capacitor</p>	<p style="text-align: center;">7</p>  <p style="text-align: center;">Oil Capacitor (Tubular Type)</p>	<p style="text-align: center;">8</p>  <p style="text-align: center;">Vertical Type Tubular Type Styrol Capacitor</p>
<p style="text-align: center;">9</p>  <p style="text-align: center;">Electrolytic Capacitor (Tubular Type)</p>	<p style="text-align: center;">10</p>  <p style="text-align: center;">Vertical Type Tubular Type Electrolytic Capacitor</p>	<p style="text-align: center;">11</p>  <p style="text-align: center;">Ceramic Capacitor</p>	<p style="text-align: center;">12</p>  <p style="text-align: center;">Metalized Mylar (Paper) Capacitor</p>
<p style="text-align: center;">13</p>  <p style="text-align: center;">Trimmer Condenser</p>		<p style="text-align: center;">VR</p>  <p style="text-align: center;">Semi-Fixed Volume</p>	
<p style="text-align: center;">L</p>  <p style="text-align: center;">Ferri Inductor</p>	<p style="text-align: center;">TR</p>  <p style="text-align: center;">Transistor</p>		
<p style="text-align: center;">CR</p>  <p style="text-align: center;">Spark Quencher</p>	<p style="text-align: center;">D</p>  <p style="text-align: center;">Diode (Silicon, Zener, Germanium)</p>		

FIG. 1 ILLUSTRATION OF CZ MECH. BLOCK

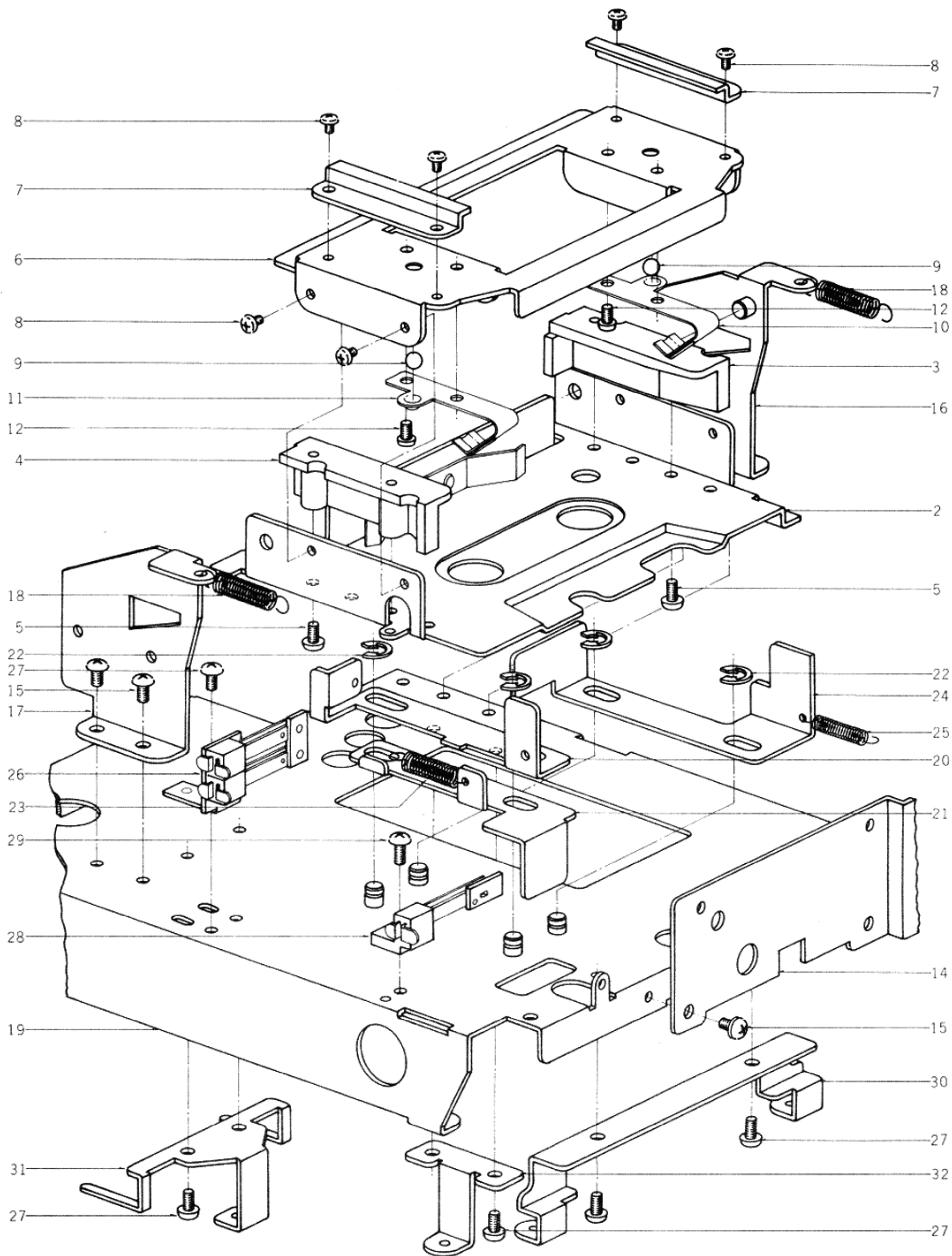




## CZ MECH. BLOCK

Ref. No.	Parts No.	Description	Schematic No.	Q'ty
1-1x	CZ555704	Mechanism Assy. Comp.		
		B-46-A	22000177	1
1-2	CZ717153	Head Retaining Plate Comp.	20002128	1
1-3	CZ717164	Pinch Roller Comp.	20000016	1
1-4	CZ717175	Pinch Roller Spring (C)	12610098	1
1-5	CZ589781	REC/P.B. HEAD P4-303	P4-303	1
1-6	CZ541462	Head Holder	CZ-0001	1
1-7	CZ549696	Compression Spring C		
		(CZ-0002)	12610018	1
1-8	CZ717197	ERASE HEAD AE-134	11630034	1
1-9	CZ717208	RWD. Slide Plate Comp.	20000013	1
1-10	CZ717210	RWD. Roller Comp.	20000003	1
1-11	CZ717221	F.FWD. Lever A Comp.	20000010	1
1-12	CZ717232	F.FWD. Lever B Comp.	20000023	1
1-13	CZ717243	F.FWD. Roller Comp.	20000102	1
1-14	CZ717254	Friction Lever Comp.	20001694	1
1-15	CZ717265	Flywheel, (w/shaft)	12410011	1
1-16	CZ717276	Flywheel Bearing	12410002	1
1-17	CZ717287	Flywheel Support Comp.	20000450	1
1-18	CZ717298	Reel Support Comp. (R)	20001613	1
1-19	CZ717300	Reel Support Comp. (L)	20000012	1
1-20	CZ717311	Reel Cap B	12310007	2
1-21	CZ717322	Keyboard Comp.	20002149	1
1-22	CZ717333	Motor Comp.	20001616	1
1-23	CZ717344	Drive Belt	12510039	1
1-24	CZ717355	Brake Slide Plate	12110013	1
1-25	CZ717366	Right Brake Lever	12110729	1
1-26	CZ717377	Left Brake Lever	12110730	1
1-27	CZ717388	Safety Lever	12110162	1
1-28	CZ717390	Safety Lever Spring	12610035	1
1-29	CZ542362	Rec. Lever (A) (CZ-1024)	12110976	1
1-30	CZ717412	Leaf SW, Comp.	20001191	1
1-31	UM541473	Safety Plate	CZ-1002	1
1-32x	ZW273723	Spring Washer M2		1
1-33	ZS464703	Screw, binding head 2x4		1
1-34	UM566021	Head Lead Wire Retainer	CZ-5040	1
1-35	ZS589454	Screw, truss head 2.6x6		2
1-36x	EC250918	Mylar/C. (Vert. Type)		
		0.01 $\mu$ F(M)50WV	C2	2
1-37	UM542136	Cassette Holder Hook Lever	CZ-1003	1
1-38	ZW542147	Graduated Washer A	CZ-1004	1
1-39	ZW542158	Graduated Washer B	CZ-1005	1
1-40	ZS555737	ISO Screw, binding head 3x6, w/washer		1
1-41	ZG542204	Spring A	CZ-1010	1

FIG. 2 ILLUSTRATION OF MECH. FRAME ASSEMBLY BLOCK

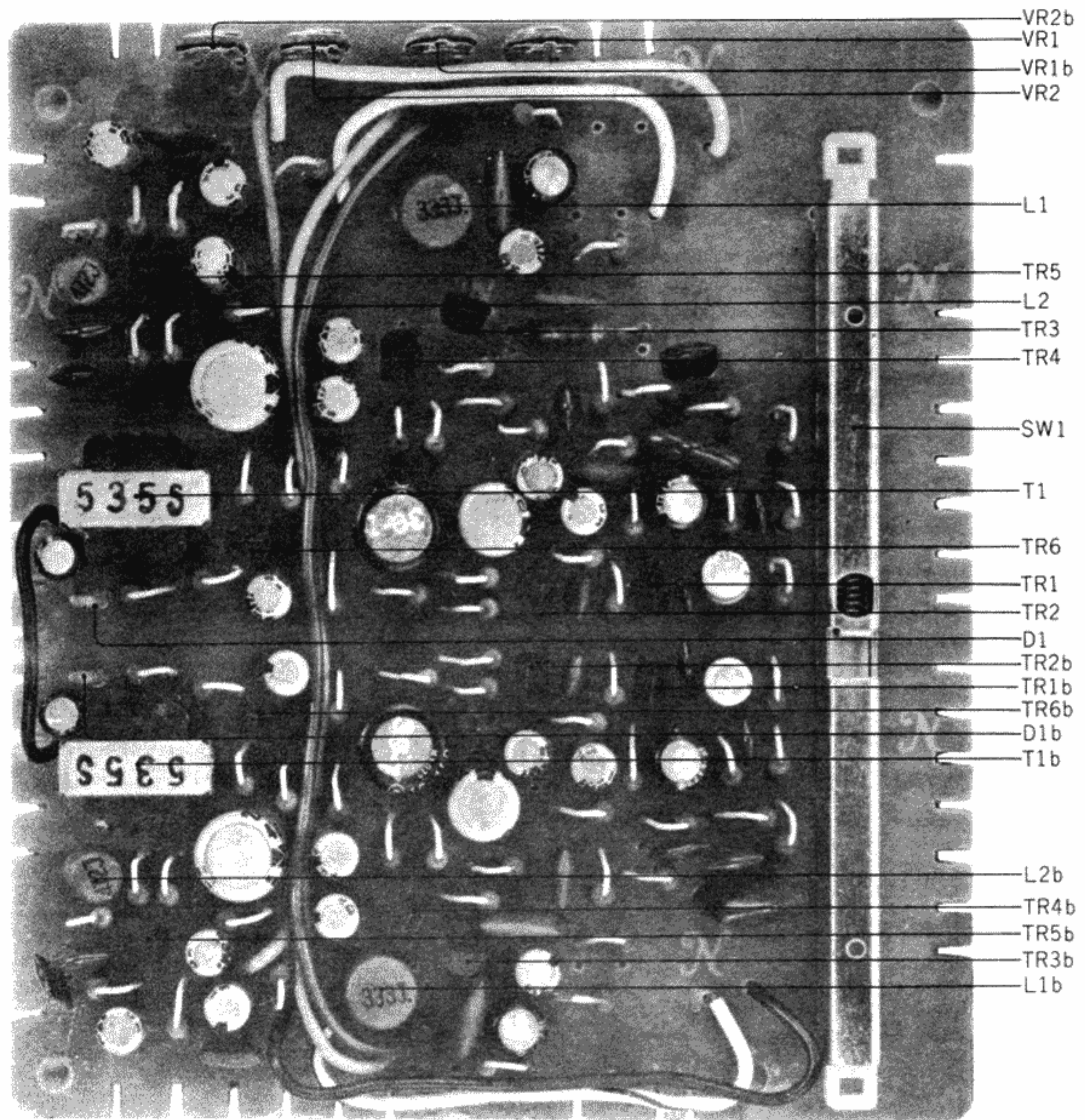


## MECH. FRAME ASSEMBLY BLOCK

Ref. No.	Parts No.	Description	Schematic No.	Q'ty
<b>CASSETTE HOLDER BLOCK</b>				
2-1x	BZ559743	Cassette Holder Block Comp.	CZ-1.2	1
2-2	UM542417	Cassette Base, w/spring A	CZ-2001.4	1
2-3	UM542373	Cassette Holder (Right)	CZ-2002	1
2-4	UM542384	Cassette Holder (Left)	CZ-2003	1
2-5	ZW555761	Tapping Screw #3 3x8 (pan)		4
2-6	UM542406	Cassette Base Cover	CZ-2005	1
2-7	UM541798	Lid Cover Guide	CZ-2008	2
2-8	ZS417251	Screw, binding head 2.3x3		8
2-9	MV269965	Steel Ball D4		2
2-10	UM541776	Cassette Retainer Spring		
		(Right)	CZ-2006	1
2-11	UM541787	Cassette Retainer Spring(Left)	CZ-2007	1
2-12	ZW564401	Screw, binding head 2.6x4, w/washer		4
2-13x	UM477358	Cassette Insert Name Plate	CG-1098	1
<b>MECH. FRAME BLOCK</b>				
2-14	UM542160	Connecting Plate	CZ-1006	1
2-15	ZW559113	Screw, binding head 2.6x6, w/washer		6
2-16	UM542171	Cassette Base Holder (Right), w/pin	CZ-1007	1
2-17	UM542182	Cassette Base Holder (Left), w/pin	CZ-1008	1
2-18	ZG542215	Spring B	CZ-1011	2
2-19	UM542428	Sub Chassis, w/pin	CZ-1001	1
2-20	UM542226	Rec. Lever A	CZ-1012	1
2-21	UM542237	Rec. Lever B	CZ-1013	1
2-22	ZW290283	'U' Ring 2.85M	6-1-1	4
2-23	ZG542250	Spring C	CZ-1015	1
2-24	UM542248	Mute Lever	CZ-1014	1
2-25	ZG546377	Spring D	CZ-1025	1
2-26	ES491962	Leaf SW. 2SB-2B-14	25-10-13	1
2-27	ZS447772	Tapping Screw #2 3x6 (BR)		17
2-28	ES555750	Leaf SW. BSW-1F	25-10-16	1
2-29	ZS447840	Tapping Screw #2 3x8 (BR)		1
2-30	UM542261	P.C. Board Angle E	CZ-1016	1
2-31	UM542272	P.C. Board Angle F	CZ-1017	1
2-32	UM542351	P.C. Board Angle G	CZ-1023	1
2-33x	ZW273802	Toothed Lock Washer M3		1



FIG. 3 PHOTO OF PRE-AMP. P.C. BOARD (CZ-5021) BLOCK

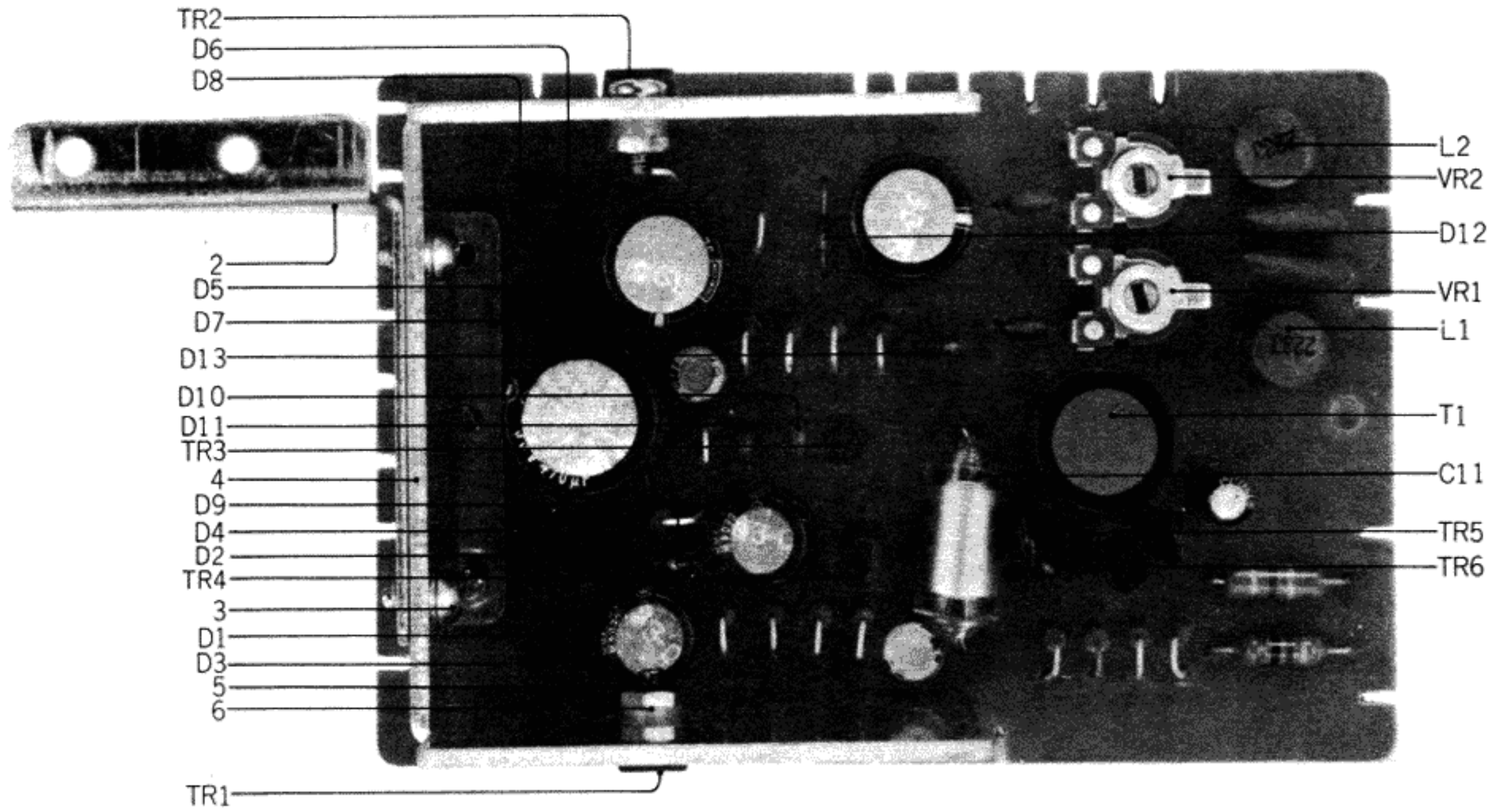




## PRE-AMP. P.C. BOARD (CZ-5021) BLOCK

Symbol No.	Parts No.	Description	Q'ty	Symbol No.	Parts No.	Description	Q'ty
3-1x	BA559967	Pre-amp. P.C. Board Comp. (CZ-5021)	1	3-R30	ER306360	Carbon RD1/4 6.8k(J)	2
3-2x	BA559956	Pre-amp. P.C. Board Comp. (CZ-5021) (30)	1	3-R31	ER350065	Carbon RD1/4 430(J)	2
3-SW1	ES555873	Slide Switch CL-112B	1	3-R32	ER306887	Carbon RD1/4 15k(J)	2
3-TR1,2,3	ET517263	Transistor 2SC1312(G) (H)	6	3-R33	ER211465	Carbon RD1/4 1k(J)	2
3-TR4,5,6	ET453486	Transistor 2SC711(E) (F)	6	3-R34	ER357412	Carbon RD1/4 220(J)	2
3-D1	ED219464	Germanium Diode IN34A	2	3-R35	ER211667	Carbon RD1/4 100(J)	2
3-L1	EO368403	Ferri Inductor FL9H 33MH(J)	2	3-R36	ER346544	Carbon RD1/4 3k(J)	2
3-L2	EO420344	Ferri Inductor FL7H 4.7MH(J)	2				
3-VR1	EV555884	Semi-fixed/Vol. V8K1-1 30 kB	2				
3-VR2	EV464253	Semi-fixed/Vol. V8K1-1 2 kB	2				
3-T1	BT517274	Headphone Trans. N16-535S	2				
		<b>Capacitor, Vertical Type</b>					
3-C1	EC250604	Mylar 0.001 $\mu$ F(K) 50WV	2				
3-C2	EC432810	Elect. 10 $\mu$ F 16WV NL	2				
3-C3	EC329771	Elect. 47 $\mu$ F 6.3WV	2				
3-C4	EC250604	Mylar 0.001 $\mu$ F(K) 50WV	2				
3-C5	EC302297	Mylar 0.018 $\mu$ F(K) 50WV	2				
3-C6	EC251291	Mylar 0.1 $\mu$ F(K) 50WV	2				
3-C7	EC362068	Mylar 0.0018 $\mu$ F(K) 50WV	2				
3-C8	EC290531	VFM 100PF(K) 50WV	2				
3-C9	EC456322	VFM 22PF(K) 50WV	2				
3-C10	EC220432	Elect. 2.2 $\mu$ F 25WV	2				
3-C11	EC320051	Elect. 10 $\mu$ F 16WV	2				
3-C12	EC220127	Elect. 100 $\mu$ F 16WV	2				
3-C13	EC539842	VFM 200PF(K) 50WV	2				
3-C14	EC320051	Elect. 10 $\mu$ F 16WV	2				
3-C15	EC329771	Elect. 47 $\mu$ F 6.3WV	2				
3-C16	EC350638	VFM 180PF(J) 50WV	2				
3-C17	EC320051	Elect. 10 $\mu$ F 16WV	2				
3-C18	EC336104	Elect. 100 $\mu$ F 6.3WV	2				
3-C19, 20	EC320051	Elect. 10 $\mu$ F 16WV	4				
3-C21	EC336126	Elect. 47 $\mu$ F 25WV	2				
3-C22	EC320051	Elect. 10 $\mu$ F 16WV	2				
3-C23	EC450527	Elect. 4.7 $\mu$ F 25WV	2				
3-C24	EC290531	VFM 100PF(K) 50WV	2				
3-C25	EC450055	Elect. 1 $\mu$ F 25WV	2				
3-C26	EC320051	Elect. 10 $\mu$ F 16WV	2				
3-C27	EC368335	Mylar 0.022 $\mu$ F(J) 50WV	2				
3-C28	EC380621	Mylar 0.0068 $\mu$ F(J) 50WV	2				
		<b>Resistor, Stopper Type</b>					
3-R1	ER212883	Carbon RD1/4 4.7k(J)	2				
3-R2	ER211757	Carbon RD1/4 100k(J)	2				
3-R3	ER212883	Carbon RD1/4 4.7k(J) (Right)	1				
3-R3	ER214290	Carbon RD1/4 4.7k(J) (Insu. type) (Left)	1				
3-R4	ER212681	Carbon RD1/4 330(J)	2				
3-R5	ER361980	Carbon RD1/4 620(J)	2				
3-R6	ER465276	Carbon RD1/4 270k(J)NL	2				
3-R7	ER336442	Carbon RD1/4 10k(J)	2				
3-R8	ER357570	Carbon RD1/4 150k(J)	2				
3-R9	ER391961	Carbon RD1/4 91k(J)	2				
3-R10	ER324224	Carbon RD1/4 5.1k(J)	2				
3-R11	ER212264	Carbon RD1/4 22k(J)	2				
3-R12	ER212883	Carbon RD1/4 4.7k(J)	2				
3-R13	ER343078	Carbon RD1/4 2.7k(J)	2				
3-R14	ER380755	Carbon RD1/4 6.2k(J)	2				
3-R15	ER212264	Carbon RD1/4 22k(J)	2				
3-R16	ER336442	Carbon RD1/4 10k(J)	2				
3-R17	ER357491	Carbon RD1/4 82k(J)	2				
3-R18	ER347073	Carbon RD1/4 200(J)	2				
3-R19	ER306887	Carbon RD1/4 15k(J)	2				
3-R20	ER211757	Carbon RD1/4 100k(J)	2				
3-R21	ER362441	Carbon RD1/4 1.8k(J)	2				
3-R22	ER213300	Carbon RD1/4 680(J)	2				
3-R23	ER306887	Carbon RD1/4 15k(J)	2				
3-R24	ER211667	Carbon RD1/4 100(J)	2				
3-R25	ER420322	Carbon RD1/4 36k(J)	2				
3-R26	ER211757	Carbon RD1/4 100k(J)	2				
3-R27	ER212883	Carbon RD1/4 4.7k(J)	2				
3-R28	ER336442	Carbon RD1/4 10k(J)	2				
3-R29	ER211757	Carbon RD1/4 100k(J)	2				

FIG. 4 PHOTO OF OSC., POWER SUPPLY P.C. BOARD (CZ-5020) BLOCK



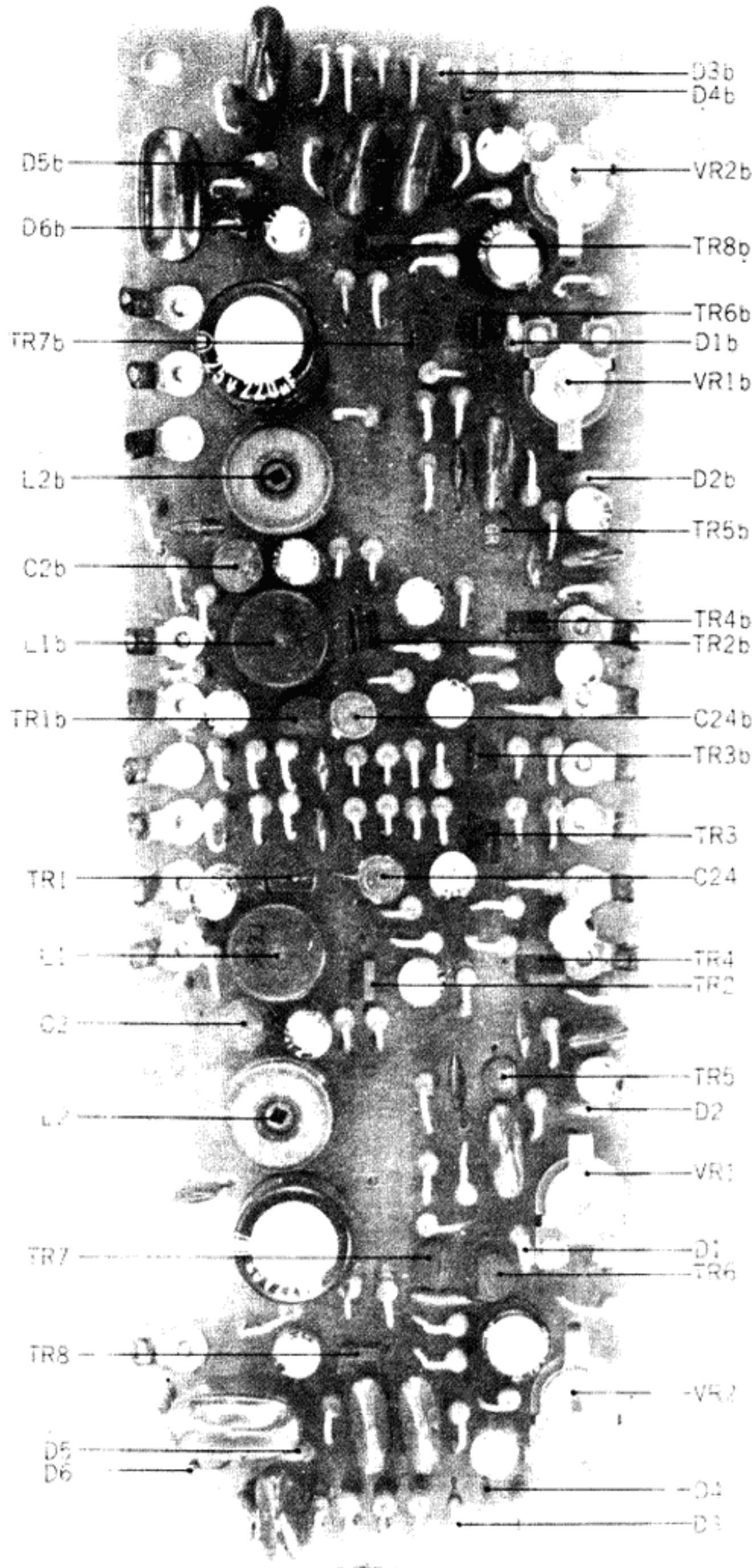
**OSC., POWER SUPPLY P.C. BOARD  
(CZ-5020) BLOCK**

Symbol No.	Parts No.	Description	Q'ty	Symbol No.	Parts No.	Description	Q'ty
4-1x	BA559978	OSC., Power Supply P.C. Board Comp. (CZ-5020)	1	<b>Capacitor, Vertical Type</b>			
4-TR1, 2	ET517375	Transistor 2SD360(D) (E)	2	4-C1	EC444082	Elect. 470 $\mu$ F 35WV	1
4-TR3 to 6	ET453486	Transistor 2SC711(E) (F)	4	4-C2	EC220151	Elect. 100 $\mu$ F 25WV	1
4-D1 to 8	ED511097	Silicon Diode IN4001	8	4-C3	EC220994	Elect. 10 $\mu$ F 25WV	1
4-D9	ED498150	Zener Diode WZ-192	1	4-C4	EC220151	Elect. 100 $\mu$ F 25WV	1
4-D10, 11	ED514721	Silicon Diode WG-599	2	4-C5	EC329771	Elect. 47 $\mu$ F 6.3WV	1
4-D12	ED555895	Zener Diode WZ-065	1	4-C6	EC339096	Elect. 470 $\mu$ F 16WV	1
4-D13	ED514721	Silicon Diode WG-599	1	4-C7	EC220768	Elect. 470 $\mu$ F 10WV	1
4-L1, 2	EO244012	Ferri Inductor FL9H 22MH(J)	2	4-C8	EC220432	Elect. 2.2 $\mu$ F 25WV	1
4-T1	EO496844	OSC. Coil OT-903	1	4-C9, 10	EC250841	Mylar 0.01 $\mu$ F(J) 50WV	2
4-VR1, 2	EV499882	Semi-fixed/Vol. V10K8-4-2 300k $\Omega$	2	4-C11	EC552892	Styrol 3000PF(J) 125WV (Tub. type)	1
4-2	UM542046	Heat-sink Angle	1	4-C12, 13	EC357827	VFM 50PF(K) 50WV	2
4-3	ZS447772	Tapping Screw #2 3x6 (BR)	4	4-C14, 15	EC336194	VFM 270PF(J) 50WV	2
4-4	EZ542024	Heat-sink A	1	<b>Resistor, Stopper Type</b>			
4-5	ZS413741	Screw, binding head 3x8	2	4-R1	ER343078	Carbon RD1/2 2.7k(J)	1
4-6	ZW273756	Nut M3	2	4-R2	ER357412	Carbon RD1/4 220(J)	1
4-7x	ZW273802	Toothed Lock Washer M3	1	4-R3	ER306887	Carbon RD1/4 15k(J)	1
				4-R4	ER336442	Carbon RD1/4 10k(J)	1
				4-R5	ER211465	Carbon RD1/4 1k(J)	1
				4-R6	ER212264	Carbon RD1/4 22k(J)	1
				4-R7	ER346994	Carbon RD1/4 18k(J)	1
				4-R8	ER212883	Carbon RD1/4 4.7k(J)	1
				4-R9	ER304290	Carbon RD1/4 10(J)	1
				4-R10	ER357456	Carbon RD1/4 2.2k(J)	1
				4-R11	ER347038	Carbon RD1/4 270(J)	1
				4-R12	ER430108	Carbon RD1/4 910(J)	1
				4-R13	ER552936	Carbon RD1/2 200(J) (Insu. type)	1
				4-R14	ER552925	Carbon RD1/2 240(J) (Insu. type)	1
				4-R15	ER212883	Carbon RD1/4 4.7k(J)	1
				4-R16, 17	ER304290	Carbon RD1/4 10(J)	2
				4-R18	ER304402	Carbon RD1/4 470(J)	1

When ordering parts, please describe Parts Number, Serial Number, and Model Number in detail.



FIG. 5 PHOTO OF DOLBY P.C. BOARD (CG-5202) BLOCK



Symbol No.	Parts No.	Description	Q'ty
5-VR1	EV499364	Semi-fixed/Vol. V10k8-4-2 5 kB	2
5-VR2	EV499375	Semi-fixed/Vol. V10k8-4-2 500B	2
5-L1	EO496350	Inductor 146LY 36MH(J)	2
5-L2	EO496361	Inductor 6070GE 23MH(J)	2
5-TP1, 4	EJ350447	Test Terminal	2

**Capacitor, Vertical Type**

5-C1	EC320051	Elect. 10μF 16WV	2
5-C2	EC495865	Styrol 3000PF(J) 50WV	2
5-C3	EC379787	Mylar 0.0039μF(J) 50WV	2
5-C4	EC320051	Elect. 10μF 16WV	2
5-C5	EC250683	Mylar 0.0022μF(J) 50WV	2
5-C6,7,8	EC320051	Elect. 10μF 16WV	6
5-C9, 10	EC313121	Elect. 220μF 25WV	4
5-C11	EC329883	Mylar 0.0056μF(J) 50WV	2
5-C12	EC337500	Mylar 0.0047μF(J) 50WV	2
5-C13	EC329861	Mylar 0.027μF(J) 50WV	2
5-C14	EC320051	Elect. 10μF 16WV	2
5-C15	EC251291	Mylar 0.1μF(K) 50WV	2
5-C16	EC320040	Elect. 47μF 16WV	2
5-C17	EC320051	Elect. 10μF 16WV	2
5-C18	EC251291	Mylar 0.1μF(K) 50WV	2
5-C19	EC320051	Elect. 10μF 16WV	2
5-C20	EC379170	Mylar 0.1μF(J) 50WV	2
5-C21	EC251291	Mylar 0.1μF(K) 50WV	2
5-C22	EC395504	Mylar 0.33μF(K) 50WV	2
5-C23	EC290520	VFM 100PF(J) 50WV	2
5-C24	EC434070	Styrol 680PF(J) 50WV	2

**Resistor, Stopper Type**

5-R1	ER336442	Carbon RD1/4 10k(J)	2
5-R2	ER212477	Carbon RD1/4 3.3k(J)	2
5-R3	ER426857	Carbon RD1/4 270k(J)	2
5-R4	ER346601	Carbon RD1/4 47k(J)	2
5-R5	ER212477	Carbon RD1/4 3.3k(J)	2
5-R6	ER304402	Carbon RD1/4 470(J)	2
5-R7	ER211858	Carbon RD1/4 12k(J)	2
5-R8	ER211667	Carbon RD1/4 100(J)	2
5-R9	ER211858	Carbon RD1/4 12k(J)	2
5-R10	ER343078	Carbon RD1/4 2.7k(J)	2
5-R11	ER349907	Carbon RD1/4 33k(J)	2
5-R12	ER357570	Carbon RD1/4 150k(J)	2
5-R13	ER212174	Carbon RD1/4 180k(J)	2
5-R14, 15	ER212264	Carbon RD1/4 22k(J)	4
5-R16	ER357570	Carbon RD1/4 150k(J)	2
5-R17	ER349942	Carbon RD1/4 8.2k(J)	2
5-R18	ER343078	Carbon RD1/4 2.7k(J)	2
5-R19	ER349907	Carbon RD1/4 33k(J)	2
5-R20, 21	ER213467	Carbon RD1/4 820(J)	4
5-R22	ER349907	Carbon RD1/4 33k(J)	2
5-R23	ER357535	Carbon RD1/4 39k(J)	2
5-R24	ER212477	Carbon RD1/4 3.3k(J)	2
5-R25	ER357456	Carbon RD1/4 2.2k(J)	2
5-R26	ER349942	Carbon RD1/4 8.2k(J)	2
5-R27	ER306843	Carbon RD1/4 1.2k(J)	2
5-R28	ER430097	Carbon RD1/4 680k(J)	2
5-R29	ER306887	Carbon RD1/4 15k(J)	2
5-R30	ER349942	Carbon RD1/4 8.2k(J)	2
5-R31	ER336442	Carbon RD1/4 10k(J)	2
5-R32, 33	ER349942	Carbon RD1/4 8.2k(J)	4
5-R34	ER349907	Carbon RD1/4 33k(J)	2
5-R35	ER450011	Carbon RD1/4 120k(J)	2
5-R36	ER346601	Carbon RD1/4 47k(J)	2
5-R37	ER343078	Carbon RD1/4 2.7k(J)	2
5-R38	ER211465	Carbon RD1/4 1k(J)	2
5-R39	ER380913	Carbon RD1/4 33(J)	2
5-R40	ER361642	Carbon RD1/4 47(J)	2
5-R41	ER306887	Carbon RD1/4 15k(J)	2
5-R42, 43	ER426857	Carbon RD1/4 270k(J)	4
5-R44	ER380711	Carbon RD1/4 220k(J)	2
5-R45	ER212883	Carbon RD1/4 4.7k(J)	2

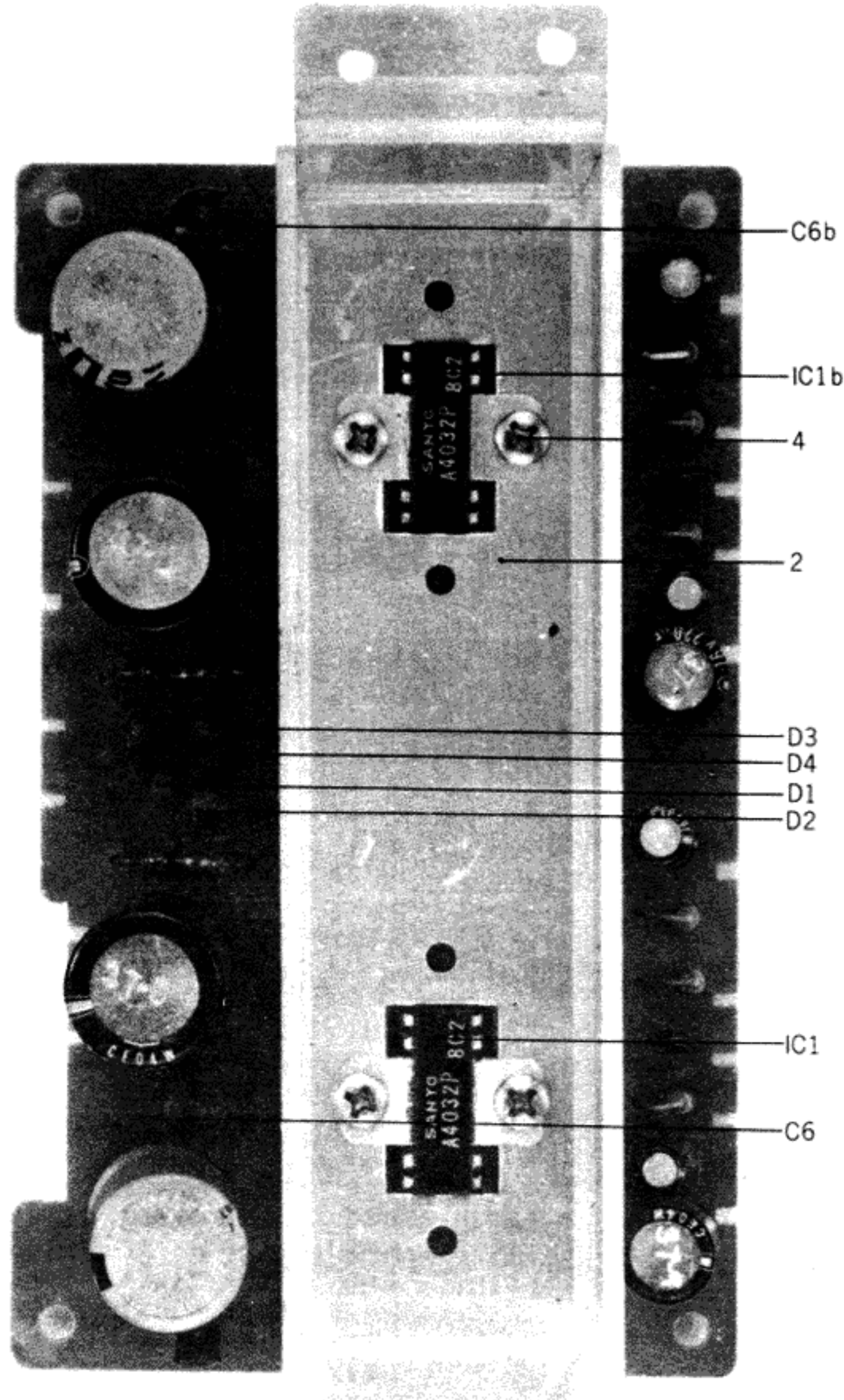
**DOLBY P.C. BOARD (CG-5202) BLOCK**

Symbol No.	Parts No.	Description	Q'ty
5-1x	BA498767	Dolby P.C. Board Comp. (CG-5202)	1
5-TR1	ET234854	Transistor 2SC458LG(C)	2
5-TR2	ET329218	Transistor 2SC458(C)	2
5-TR3	ET352146	Transistor 2SC458LG(D)	2
5-TR4	ET329218	Transistor 2SC458(C)	2
5-TR5	ET491051	FET 2SK30A(GR)	2
5-TR6	ET234854	Transistor 2SC458LG(C)	2
5-TR7	ET350335	Transistor 2SA564(Q)	2
5-TR8	ET329218	Transistor 2SC458(C)	2
5-D1	ED219464	Germanium Diode 1N34A	2
5-D2	ED491130	Zener Diode WZ-085	2
5-D3, 4	ED514721	Silicon Diode WG-599	4
5-D5	ED219464	Germanium Diode 1N34A	2
5-D6	ED514721	Silicon Diode WG-599	2

When ordering parts, please describe Parts Number, Serial Number, and Model Number in detail.



FIG. 6 PHOTO OF MAIN AMP. P.C. BOARD (CG-5403) BLOCK

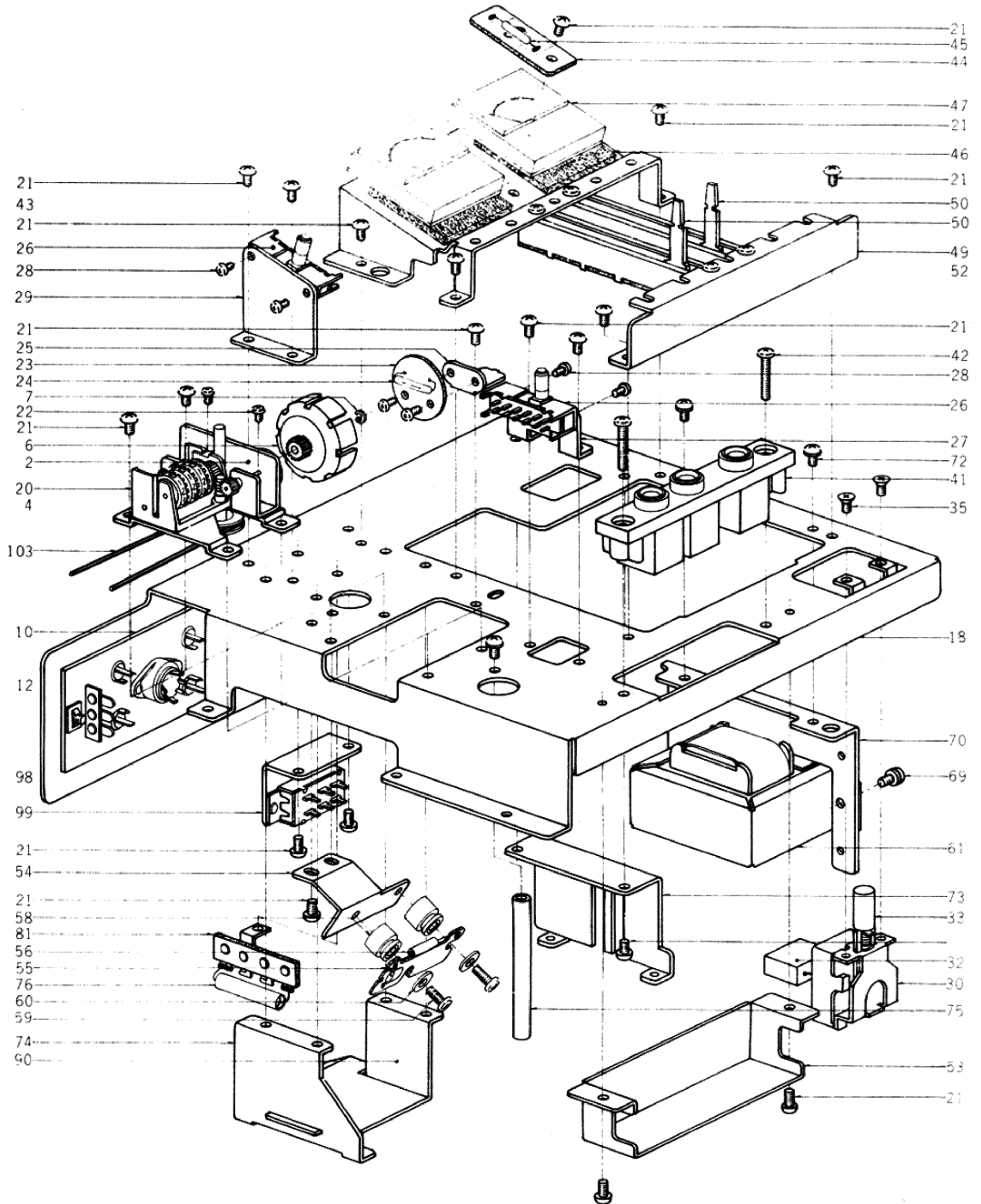


MAIN AMP. P.C. BOARD (CG-5403) BLOCK

Symbol No.	Parts No.	Description	Q'ty	Symbol No.	Parts No.	Description	Q'ty
6-1x	BA559980	Main Amp. P.C. Board Comp. (CG-5403)	1	<b>Capacitor, Vertical Type</b>			
6-IC1	EI517342	I.C. Power Amp. LA-4032P	2	6-C1	EC320051	Elect. 10 $\mu$ F 16WV	2
6-D1 to 4	ED511097	Silicon Diode IN4001	4	6-C2	EC450066	Elect. 33 $\mu$ F 16WV	2
6-2	EZ542035	Heat-sink B	1	6-C3	EC321208	Elect. 220 $\mu$ F 16WV	2
6-3x	UM518668	I.C. Retaining Metal	1	6-C4	EC250661	Mylar 0.0015 $\mu$ F(K) 50WV	2
6-4	ZS417194	Screw, binding head 3x10	4	6-C5	EC362158	Mylar 0.0047 $\mu$ F(K) 50WV	2
6-5x	ZW273756	Nut M3	4	6-C6	EC515834	Styrol 560PF(K) 50WV	2
				6-C7	EC450270	Elect. 1000 $\mu$ F 25WV	2
				6-C8	EC336148	Elect. 1000 $\mu$ F 16WV	2
				6-C9	EC250885	Mylar 0.01 $\mu$ F(K) 50WV	2
				<b>Resistor, Stopper Type</b>			
				6-R1	ER212681	Carbon RD1/4 330(J) (Insu. type)	2
				6-R2	ER517320	Carbon RD1/4 0.5(J) (Insu. type)	2
				6-R3	ER336442	Carbon RD1/4 10k(J)	2
				6-R4	ER306887	Carbon RD1/4 15k(J)	2

When ordering parts, please describe Parts Number, Serial Number, and Model Number in detail.

FIG. 7 ILLUSTRATION OF AMP. ASSEMBLY BLOCK





# AMP. ASSEMBLY BLOCK

Ref. No.	Parts No.	Description	Schematic No.	Qty	Ref. No.	Parts No.	Description	Schematic No.	Qty
<b>TAPE RUN BLOCK</b>					7-62x	BT559225	Power Trans. CZT-12 (UL)	38-4-241	1
7-1x	BZ559923	Tape Run Block Comp.	CZ-1.2	1	7-63x	BT559236	Power Trans. CZT-13 (CSA, JPN)	38-4-238	1
7-2	UM541811	Pinion Base	CZ-2010	1	7-64x	BT559247	Power Trans. CZT-14 (EC)	38-4-239	1
7-3x	UM541855	Pinion Shaft	CZ-2014	1	7-65x	BT559271	Power Trans. CZT-16 (240V)	38-4-244	1
7-4	UM541833	Pinion A	CZ-2012	1	7-66x	BT559157	Power Trans. CZT-11 (30)	38-4-243	1
7-5x	UM541844	Pinion B	CZ-2013	1	7-67x	BT559214	Power Trans. CZT-15 (30-UL)	38-4-240	1
7-6	UM541866	Tape Run Drum	CZ-2015	1	7-68x	BT559282	Power Trans. CZT-17 (30-240V)	38-4-245	1
7-7	ZW270088	'E' Ring 1.9M	6-1-9	1	7-69	ZS413223	Screw, binding head 3x5, w/washer		2
<b>JACK PLATE BLOCK</b>					7-70	UM547165	Trans. Base B	CZ-5038	1
7-8x	BZ559945	Jack Plate Block Comp.		1	7-71x	UM547176	Trans. Base A (EC, 30)	CZ-5037	1
7-9x	BZ559934	Jack Plate Block Comp. (30)		1	7-72	ZS417025	Screw, binding head 3x8, w/washer		4
7-10	EJ555851	Jack Plate A	31-5-80	1	7-73	EZ541956	P.C. Board Angle A	CZ-5008	1
7-11x	EJ555862	Jack Plate B (30)	31-5-81	1	7-74	EZ541967	P.C. Board Angle B	CZ-5009	1
7-12	EJ558246	Din Jack 5P	31-1-99	1	7-75	UM541978	P.C. Board Prop	CZ-5012	1
7-13x	EJ420074	Mic. Jack 2PMJ1P	31-2-27	2	7-76	EF559168	Fuse 0.3A 250V, w/lead	39-1-49	1
7-14x	ZW554624	E Jack Nut	7-1-56	2	7-77x	EF495718	Fuse 0.5A 125V (CSA, JPN)	39-1-44	2
7-15x	ER345712	Carbon/R. RD1/4 22k(J) (Insu. type)	35-9-5	4	7-78x	EF238634	Fuse 400MAT (T type) (EC)		3
7-16x	ER430233	Carbon/R. RD1/4 390k(J). (Insu. type)	35-9-5	2	7-79x	EF562498	Fuse 0.5A 250V (30)	39-1-49	1
7-17x	ER315213	Carbon/R. RD1/4 8.2k(J) (Insu. type)	35-9-5	4	7-80x	EF516881	Fuse ST-4 0.3A (30-UL)	39-1-28	1
<b>AMP. CHASSIS BLOCK</b>					7-81	EJ255003	Lug Plate KP1L2	33-3-5	1
7-18	EZ542081	Amp. Chassis	CZ-5001	1	7-82x	EJ255036	Lug Plate KP2L2 (UL)	33-3-6	1
7-19x	EZ578992	Amp. Chassis B (EC)	CZ-5001	1	7-83x	EZ480925	Fuse Terminal Plate 3 (CSA, JPN)	101061	1
7-20	MC555772	Counter Comp. MP-390-98S	9-1-30	1	7-84x	EJ561227	Terminal No.500/2 (EC)	52-1-18	1
7-21	ZS447772	Tapping Screw #2 3x6 (BR)		35	7-85x	MZ546625	Connector Insulator Paper	ND-1081	1
7-22	ZS417251	Screw, binding head 2.3x3		4	7-86x	ZS565953	Tapping Screw #2 3x15		1
7-23	EA541888	Lamp P.C. Board Comp.	CZ-2017	1	7-87x	EZ545444	EC Fuse Holder A	A0392	1
7-24	EL295312	Lamp (No.2) 8V 0.2A	28-2-8	1	7-88x	EA515204	Fuse P.C. Board KD (30-UL)	KD-A2020	1
7-25	UM541877	Lamp Angle	CZ-2016	1	7-89x	EJ514822	Fuse Holder, P.C. Board S-N5051 (30-UL)	10-1-28	2
7-26	ES555783	Slide SW. KS-S-F-04-15	25-3-95	2	7-90	EZ546546	Shield Plate	CZ-5037	1
7-27	EZ541923	SW. Angle A	CZ-5005	1	7-91x	ZW273756	Nut M3		2
7-28	ZS481645	Screw, binding head 2.6x3		4	7-92x	EZ382263	Strain Relief SR-4K-4	2-7-12	1
7-29	UM541934	SW. Angle B	CZ-5006	1	7-93x	EZ246936	Strain Relief SR-6W-1(3 core)	1-7-7	1
7-30	ES469541	Push SW. TV-3 JB52	25-5-60	1	7-94x	EW540112	AC Cord (CUL) 2.5M	2-1-19	1
7-31x	ES561767	Push SW. NP-285-2 (EC)	25-5-111	1	7-95x	EW559260	Power Cord type-412 (EC)	26-1-12	1
7-32	ER376413	Spark Quencher U/L 0.033μ+120Ω 500WV	41-1-37	1	7-96x	EW524845	AC Cord 2.5M (JPN)	2-1-11	1
7-33	SK495202	Power Supply Knob	CG-6308	1	7-97x	EW315448	Australia Cord (3 core)	2-1-11	1
7-34x	SB545411	Power Supply Knob (EC)	CZ-5023	1	7-98	UM546063	Switch Angle C	CZ-5034	1
7-35	ZS327835	ISO Screw, countersunk head 3x5		2	7-99	ES317531	Slide SW. FSD-271DU	2-1-21	1
7-36x	ZS450832	ISO Screw, binding head 3x12		2	7-100x	EA549448	Fuse P.C. Board (30-UL)	3-1-12	1
7-37x	UM578834	SW. Cover Sleeve (EC)	CZ-5043	2	7-101x	AA544768	Fuse Angle (30-UL)	3-1-12	1
7-38x	UM578812	Power SW. Base (EC)	CZ-5041	1	7-102x	EF277424	Fuse ST-4 0.8A (30-UL)	39-1-28	2
7-39x	UM578823	Power SW. Cover (EC)	CZ-5042	1	7-103	MB542283	Counter Belt	CZ-501	1
7-40x	ZS200676	Tapping Screw #2 3x6 (countersunk)		2					
7-41	EJ555794	3-throw Jack SG-0911	31-2-43	1					
7-42	ZS559135	Tapping Screw #2 4x18 (pan)		2					
7-43	UM542057	Meter Base	CZ-5003	1					
7-44	EZ255317	Lamp Holder	LD-533	1					
7-45	EL295312	Lamp (No.2) 8V 0.2A	28-2-8	1					
7-46	UM541912	Meter Cushion	CZ-5004	2					
7-47	EM517307	VU Meter KL-218L-23(Blue)	46-1-65	2					
7-48x	EM558505	VU Meter KL-218L-42(Black)	46-1-78	2					
7-49	EZ541901	Volume Angle	CZ-5002	1					
7-50	EV555805	Slide Vol. LD14A 50 kA	36-16-7	2					
7-51x	EV555816	Slide Vol. MD14A 100 kBx2 (30)	36-27-3	1					
7-52	ZS371856	ISO Screw, binding head 3x5		4					
7-53	UM541991	Shield Cover	CZ-5014	1					
7-54	EZ541980	Lead SW. Angle	CZ-5013	1					
7-55	EA516047	Lead SW. P.C. Board	CG-1229	1					
7-56	ES516036	Lead SW. ORD-225	25-11-1	1					
7-57x	EC290564	VFM/C. 220PF(K) 50WV	24-6-2	1					
7-58	UM515518	SW. Table Cushion, w/sleeve	CG-1228	2					
7-59	ZS462881	Screw, binding head 2.3x12		2					
7-60	ZW493582	Washer (SPC) D2.3x9x0.3t		2					
7-61	BT559146	Power Trans. CZT-10	38-4-242	1					

When ordering parts, please describe Parts Number, Serial Number, and Model Number in detail.



FIG. 8 PHOTO OF FINAL ASSEMBLY BLOCK



### FINAL ASSEMBLY BLOCK

Ref. No.	Parts No.	Description	Schematic No.	Q'ty
8-1	BC559708	Upper Case Block Comp.		1
8-2x	BC559697	Upper Case Block Comp. (30D)		1
8-3x	BC559686	Upper Case Block Comp. (30)		1
8-4x	BC561385	Bottom Plate Block Comp.		1
8-5x	BC560002	Bottom Plate Block Comp. (CSA)		1
8-6x	BC559710	Bottom Plate Block Comp. (30/30D)		1
8-7x	SA522854	Rubber Foot LSR-15D	PX-3008	4
8-8x	ZS417148	Screw, binding head 3x15		4
8-9x	ZW559102	Speed Nut, F type M3	6-3-5	4
8-10x	UM542305	Mask C (switch)	CZ-1020	2
8-11x	ZS417025	Screw, binding head 3x8, w/washer		4
8-12x	ZS414033	Screw, countersunk head 3x8		2
8-13	SK566008	Vol. Knob B	CG-6515	3
8-14	UM546300	Case Lid Comp. CZ	CZ-6033	1
8-15	BC542575	Wood Frame	CZ-6015	1
8-16x	ZS462194	Tapping Screw #2 3x8 (PAN), w/washer		5



# INDEX

Parts No.	Ref. No. & Symbol No.	Parts No.	Ref. No. & Symbol No.	Parts No.	Ref. No. & Symbol No.	Parts No.	Ref. No. & Symbol No.	Parts No.	Ref. No. & Symbol No.
AA544768	7-101x	EC290531	3-C8	EJ561227	7-84x	ER349942	5-R17	MC555772	7-20
BA498767	5-1x	EC290531	3-C24	EL295312	7-24	ER349942	5-R26	MV269965	2-9
BA559956	3-2x	EC290564	7-57x	EL295312	7-45	ER349942	5-R30	MZ546625	7-85x
BA559967	3-1x	EC302297	3-C5	EM517307	7-47	ER349942	5-R32, 33	SA522854	8-7x
BA559978	4-1x	EC313121	5-C9, 10	EM558505	7-48x	ER350065	3-R31	SB545411	7-34x
BA559980	6-1x	EC320040	5-C16	EO368403	3-L1	ER357412	3-R34	SK495202	7-33
BC542575	8-15	EC320051	3-C11	EO420344	3-L2	ER357412	4-R2	SK566008	8-13
BC559686	8-3x	EC320051	3-C14	EO496350	5-L1	ER357456	4-R10	UM477358	2-13x
BC559697	8-2x	EC320051	3-C17	EO496361	5-L2	ER357456	5-R25	UM515518	7-58
BC559708	8-1	EC320051	3-C19, 20	EO496844	4-T1	ER357491	3-R17	UM518668	6-3x
BC559710	8-6x	EC320051	3-C22	ER211465	3-R33	ER357535	5-R23	UM541473	1-31
BC560002	8-5x	EC320051	3-C26	ER211465	4-R5	ER357570	3-R8	UM541776	2-10
BC561385	8-4x	EC320051	5-C1	ER211465	5-R38	ER357570	5-R12	UM541787	2-11
BT517274	3-T1	EC320051	5-C4	ER211667	3-R24	ER357570	5-R16	UM541798	2-7
BT559157	7-66x	EC320051	5-C6, 7, 8	ER211667	3-R35	ER361642	5-R40	UM541811	7-2
BT559214	7-61	EC320051	5-C14	ER211667	5-R8	ER361980	3-R5	UM541833	7-4
BT559214	7-67x	EC320051	5-C17	ER211757	3-R2	ER362441	3-R21	UM541844	7-5x
BT559225	7-62x	EC320051	5-C19	ER211757	3-R20	ER376413	7-32	UM541855	7-3x
BT559236	7-63x	EC320051	6-C1	ER211757	3-R26	ER380711	5-R44	UM541866	7-6
BT559247	7-64x	EC321208	6-C3	ER211757	3-R29	ER380755	3-R14	UM541877	7-25
BT559271	7-65x	EC329771	3-C3	ER211858	5-R7	ER380913	5-R39	UM541912	7-46
BT559282	7-68x	EC329771	3-C15	ER211858	5-R9	ER391961	3-R9	UM541934	7-29
BZ559743	2-1x	EC329771	4-C5	ER212174	5-R13	ER420322	3-R25	UM541978	7-75
BZ559923	7-1x	EC329861	5-C13	ER212264	3-R11	ER426857	5-R3	UM541991	7-53
BZ559934	7-9x	EC329883	5-C11	ER212264	3-R15	ER426857	5-R42, 43	UM542046	4-2
BZ559945	7-8x	EC336104	3-C18	ER212264	4-R6	ER430097	5-R18	UM542057	7-43
CZ541462	1-6	EC336126	3-C21	ER212264	5-R14, 15	ER430108	4-R12	UM542136	1-37
CZ542362	1-29	EC336148	6-C8	ER212477	5-R2	ER430233	7-16x	UM542160	2-14
CZ549696	1-7	EC336194	4-C14, 15	ER212477	5-R5	ER450011	5-R35	UM542171	2-16
CZ555704	1-1x	EC337500	5-C12	ER212477	5-R24	ER465276	3-R6	UM542182	2-17
CZ589781	1-5	EC339096	4-C6	ER212681	3-R4	ER517320	6-R2	UM542226	2-20
CZ717153	1-2	EC350638	3-C16	ER212681	6-R1	ER552925	4-R14	UM542237	2-21
CZ717164	1-3	EC357827	4-C12, 13	ER212883	3-R1	ER552936	4-R13	UM542248	2-24
CZ717175	1-4	EC362068	3-C7	ER212883	3-R3	ES317531	7-99	UM542261	2-30
CZ717197	1-8	EC362158	6-C5	ER212883	3-R12	ES469541	7-30	UM542272	2-31
CZ717208	1-9	EC368335	3-C27	ER212883	3-R27	ES491962	2-26	UM542305	8-10x
CZ717210	1-10	EC379170	5-C20	ER212883	4-R8	ES516036	7-56	UM542351	2-32
CZ717221	1-11	EC379787	5-C3	ER212883	4-R15	ES555750	2-28	UM542373	2-3
CZ717232	1-12	EC380621	3-C28	ER212883	5-R45	ES555783	7-26	UM542384	2-4
CZ717243	1-13	EC395504	5-C22	ER213300	3-R22	ES555873	3-SW1	UM542406	2-6
CZ717254	1-14	EC432810	3-C2	ER213467	5-R20, 21	ES561767	7-31x	UM542417	2-2
CZ717265	1-15	EC434070	5-C24	ER214290	3-R3	ET234854	5-TR1	UM542428	2-19
CZ717276	1-16	EC444082	4-C1	ER304290	4-R9	ET234854	5-TR6	UM546063	7-98
CZ717287	1-17	EC450055	3-C25	ER304290	4-R16, 17	ET329218	5-TR2	UM546300	8-14
CZ717298	1-18	EC450066	6-C2	ER304402	4-R18	ET329218	5-TR4	UM547165	7-70
CZ717300	1-19	EC450270	6-C7	ER304402	5-R6	ET329218	5-TR8	UM547176	7-71x
CZ717311	1-20	EC450527	3-C23	ER306360	3-R30	ET350335	5-TR7	UM566021	1-34
CZ717322	1-21	EC456322	3-C9	ER306843	5-R27	ET352146	5-TR3	UM578812	7-38x
CZ717333	1-22	EC495865	5-C2	ER306887	3-R19	ET453486	3-TR4, 5, 6	UM578823	7-39x
CZ717344	1-23	EC515834	6-C6	ER306887	3-R23	ET453486	4-TR3 to 6	UM578834	7-37x
CZ717355	1-24	EC539842	3-C13	ER306887	3-R32	ET491051	5-TR5	ZG542204	1-41
CZ717366	1-25	EC552892	4-C11	ER306887	3-R3	ET517263	3-TR1, 2, 3	ZG542215	2-18
CZ717377	1-26	ED219464	3-D1	ER306887	5-R29	ET517375	4-TR1, 2	ZG542250	2-23
CZ717388	1-27	ED219464	5-D1	ER306887	5-R41	EV464253	3-VR2	ZG546377	2-25
CZ717390	1-28	ED219464	5-D5	ER306887	6-R4	EV499364	5-VR1	ZS200676	7-40x
CZ717412	1-30	ED491130	5-D2	ER315213	7-17x	EV499375	5-VR2	ZS327835	7-35
EA515204	7-88x	ED498150	4-D9	ER324224	3-R10	EV499882	4-VR1, 2	ZS371856	7-52
EA516047	7-55	ED511097	4-D1 to 8	ER336442	3-R7	EV555805	7-50	ZS413223	7-69
EA541888	7-23	ED511097	6-D1 to 4	ER336442	3-R16	EV555816	7-51x	ZS413741	4-5
EA549448	7-100x	ED514721	4-D10, 11	ER336442	3-R28	EV555884	3-VR1	ZS414033	8-12x
EC220127	3-C12	ED514721	4-D13	ER336442	4-R4	EW315448	7-97x	ZS417025	7-72
EC220151	4-C2	ED514721	5-D3, 4	ER336442	5-R1	EW524845	7-96x	ZS417025	8-11x
EC220151	4-C4	ED514721	5-D6	ER336442	5-R31	EW540112	7-94x	ZS417148	8-8x
EC220432	3-C10	ED555895	4-D12	ER336442	6-R3	EW559260	7-95x	ZS417194	6-4
EC220432	4-C8	EF238634	7-78x	ER343078	3-R13	EZ246936	7-93x	ZS417251	2-8
EC220768	4-C7	EF277424	7-102x	ER343078	4-R1	EZ255317	7-44	ZS417251	7-22
EC220994	4-C3	EF495718	7-77x	ER343078	5-R10	EZ382263	7-92x	ZS447772	2-27
EC244012	4-L1, 2	EF516881	7-80x	ER343078	5-R18	EZ480925	7-83x	ZS447772	4-3
EC250604	3-C1	EF559168	7-76	ER343078	5-R37	EZ541901	7-49	ZS447772	7-21
EC250604	3-C4	EF562498	7-79x	ER345712	7-15x	EZ541923	7-27	ZS447840	2-29
EC250661	6-C4	EI517342	6-IC1	ER346544	3-R36	EZ541956	7-73	ZS450832	7-36x
EC250683	5-C5	EJ255003	7-81	ER346601	5-R4	EZ541967	7-74	ZS462194	8-16x
EC250841	4-C9, 10	EJ255036	7-82x	ER346601	5-R36	EZ541980	7-54	ZS462881	7-59
EC250885	6-C9	EJ350447	5-TP1, 4	ER346994	4-R7	EZ542024	4-4	ZS464703	1-33
EC250918	1-36x	EJ420074	7-13x	ER347038	4-R11	EZ542035	6-2	ZS481645	7-28
EC251291	3-C6	EJ514822	7-89x	ER347073	3-R18	EZ542081	7-18	ZS555737	1-40
EC251291	5-C15	EJ555794	7-41	ER349907	5-R11	EZ545444	7-87x	ZS559135	7-42
EC251291	5-C18	EJ555851	7-10	ER349907	5-R19	EZ546546	7-90	ZS565953	7-86x
EC251291	5-C21	EJ555862	7-11x	ER349907	5-R22	EZ578992	7-19x	ZS589454	1-35
EC290520	5-C23	EJ558246	7-12	ER349907	5-R34	MB542283	7-103	ZW270088	7-7

