



AKAI

**AUTO REVERSE CAR STEREO
RADIO CASSETTE
PLAYER WITH PLL
SYNTHESIZED TUNING
FULL DETACHABLE PANEL**

Model:
ASR-95

SERVICE MANUAL

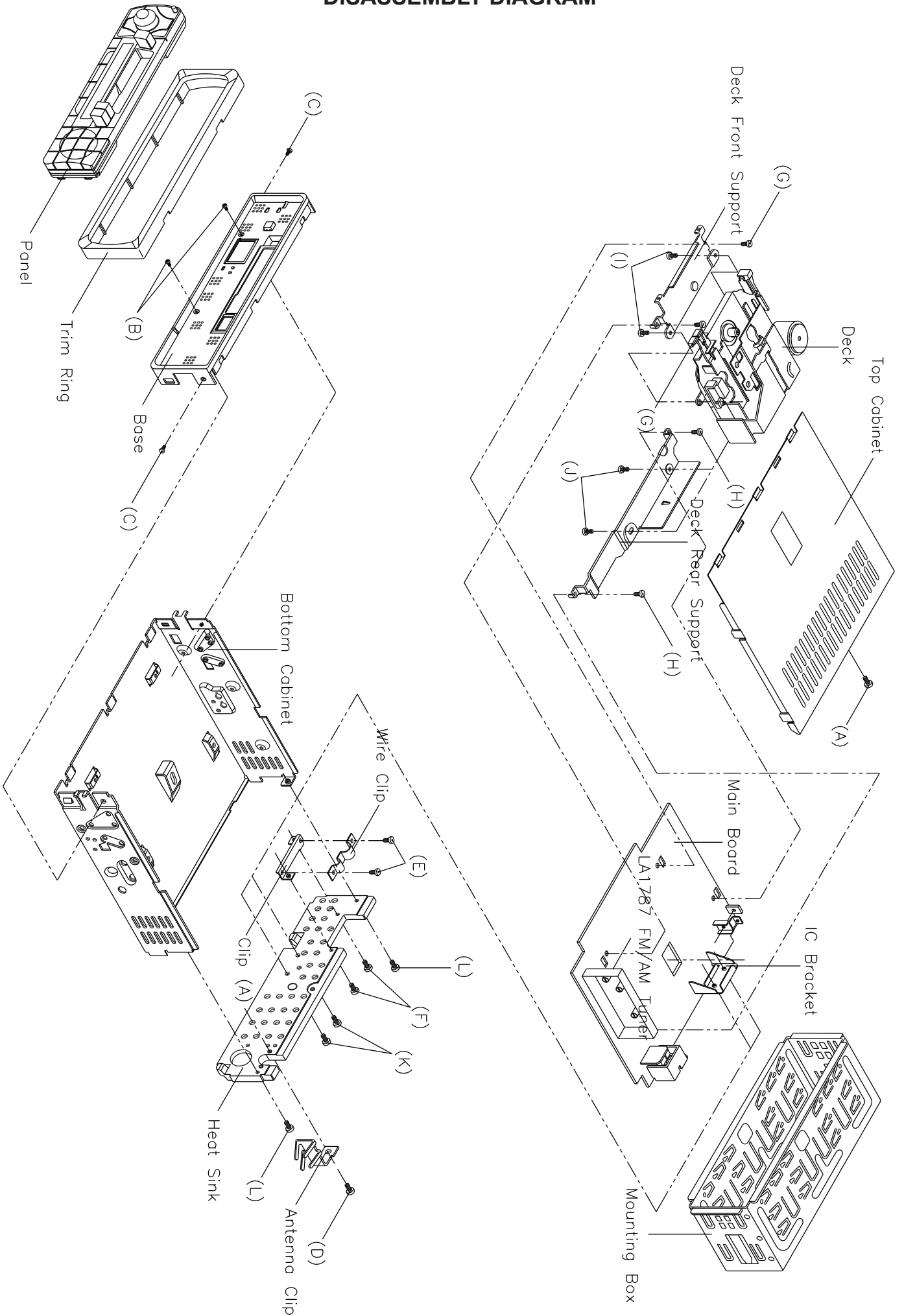
CONTENTS

| | Page |
|--|-------------|
| Disassembly Instructions | 3 |
| Disassembly Diagram | 4 |
| Operation Check | 5 |
| Block Diagram | 6 |
| Alignment Locations | 7 |
| Alignment Procedures | 8 |
| Printed Circuit Boards | 9 |
| Wiring Diagram | 12 |
| Exploded View (Panel) | 13 |
| Exploded View Parts List (Panel) | 14 |
| Exploded View (Cabinet) | 15 |
| Exploded View Parts List (Cabinet) | 16 |
| Schematic Diagram | 17 |
| Electrical Parts List | 18 |
| Specifications | 21 |

DISASSEMBLY INSTRUCTIONS

1. Using the unlock key that came with the unit or a similar tool, unlock the Mounting Box and remove toward the rear of the unit.
2. Remove the screw (A) located on the back of the top cabinet then remove the Top Cabinet.
3. Open the panel and remove the Trim Ring then remove two screws (B) from the Base.
4. Remove two screws (C) each side of the base then remove the Base.
5. Remove the screw (D) and remove the Antenna Clip.
6. Remove two screws (E) and remove the Wire Clip.
Remove two screws (F) from the Heat Sink then remove the Clip (A).
7. Remove two screws (G) from the deck front bracket and remove two screws (H) from the deck rear bracket cabinet.
8. Remove two screws (I) from under the bottom cabinet and remove the Deck Front Bracket.
Remove two screws (J) from under the bottom cabinet then remove the Deck and the Deck Rear Bracket.
9. Remove two screws (K) from the heat sink then remove the Main Board.
10. Remove two screws (L) from the heat sink then remove the Heat Sink and the Bottom Cabinet.

DISASSEMBLY DIAGRAM



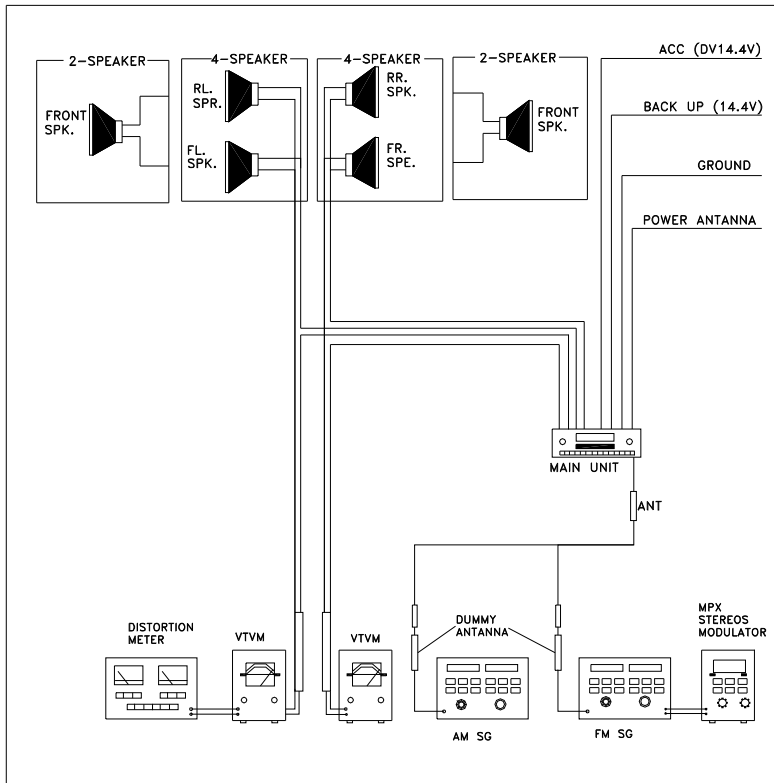
OPERATION CHECK

GENERAL SPECIFICATIONS OF SIGNAL

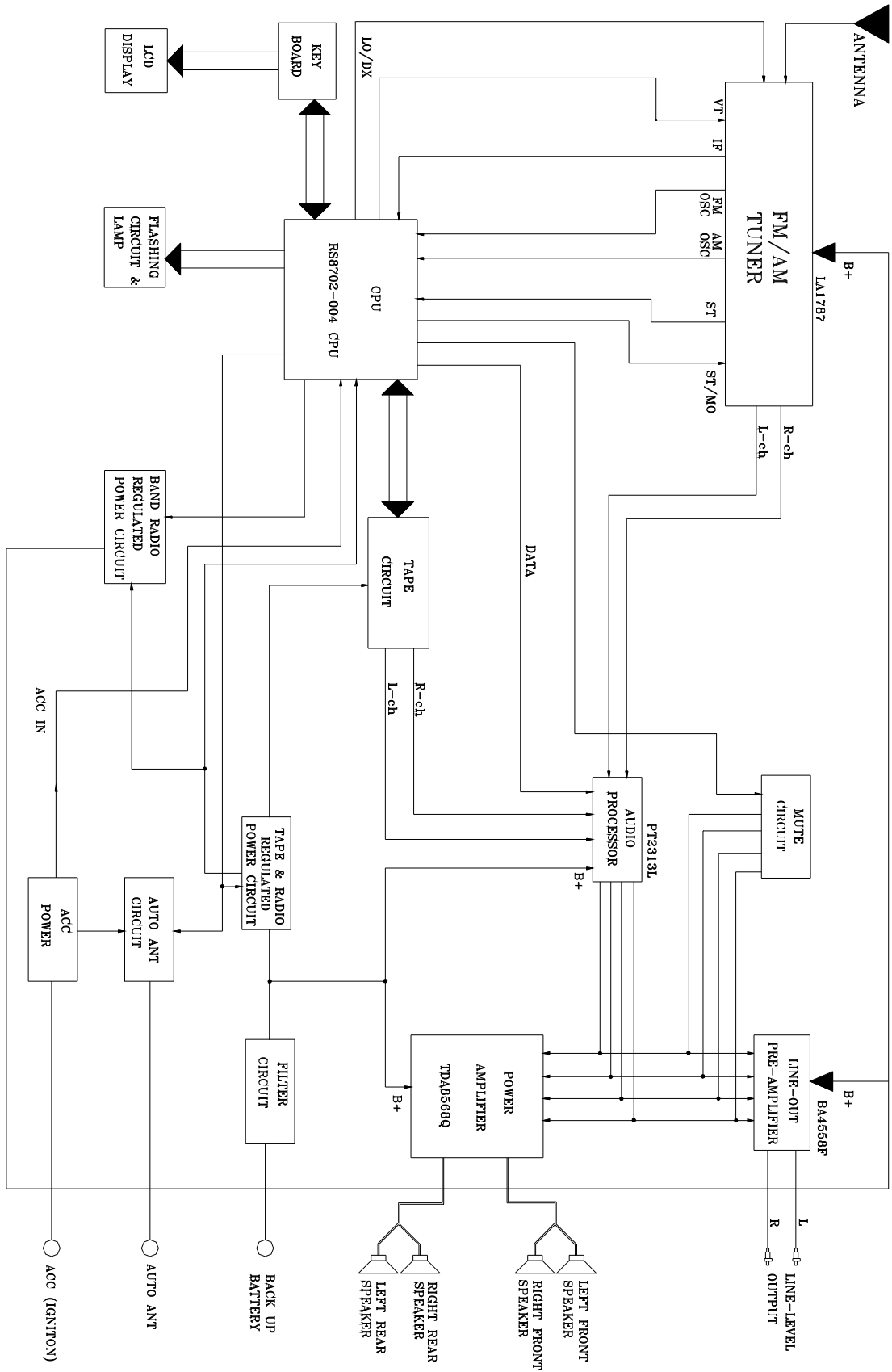
| | | | |
|----------------------|--------------------------|--------------------------------------|-----------------|
| Standard frequency | FM | 98.1 MHz | (87.5, 108 MHz) |
| | MW | 1000 kHz | (522, 1620 kHz) |
| | LW | 200 kHz | (144, 288kHz) |
| Signal output | FM | 1mV | |
| | MW | 5 mV | |
| | LW | 5 mV | |
| Modulation | MW | 400 Hz | 30% MOD. |
| | FM Stereo | 1 kHz | 75 kHz DEV. |
| | | | |
| AF output level | FM/MW/LW | | |
| Power source voltage | DC 14.0V | (Backup voltage is the same as this) | |
| AF load impedance | 4 ohm pure resistance | | |
| Balance | Center position of level | | |
| Tone | Center position | | |

The signal strength read in this section is voltage on the antenna.

Test Diagram

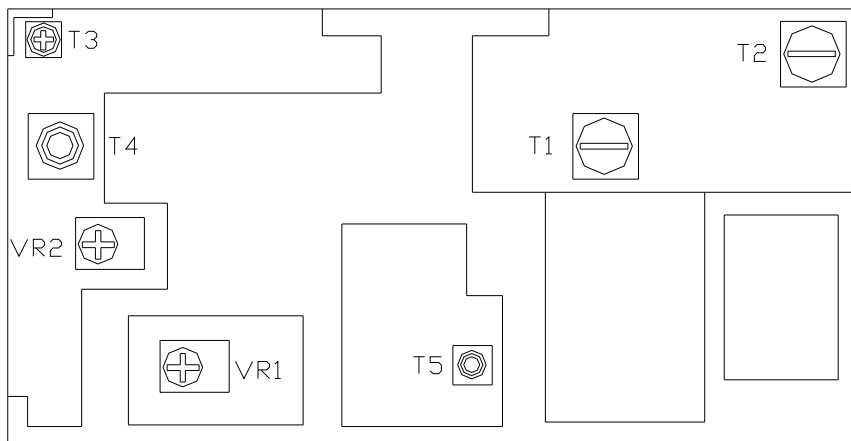


BLOCK DIAGRAM



ALIGNMENT LOCATIONS

FM/AM TUNER



ALIGNMENT PROCEDURES

FM ADJUSTMENT

Equipment Required

- I AM IF/RF signal generator
- I Solid-state voltmeter (SSVM)
- I Regulated DC power supply
- I 2-CH voltmeter
- I Distortion meter

FM Alignment Using FM Signal Generator

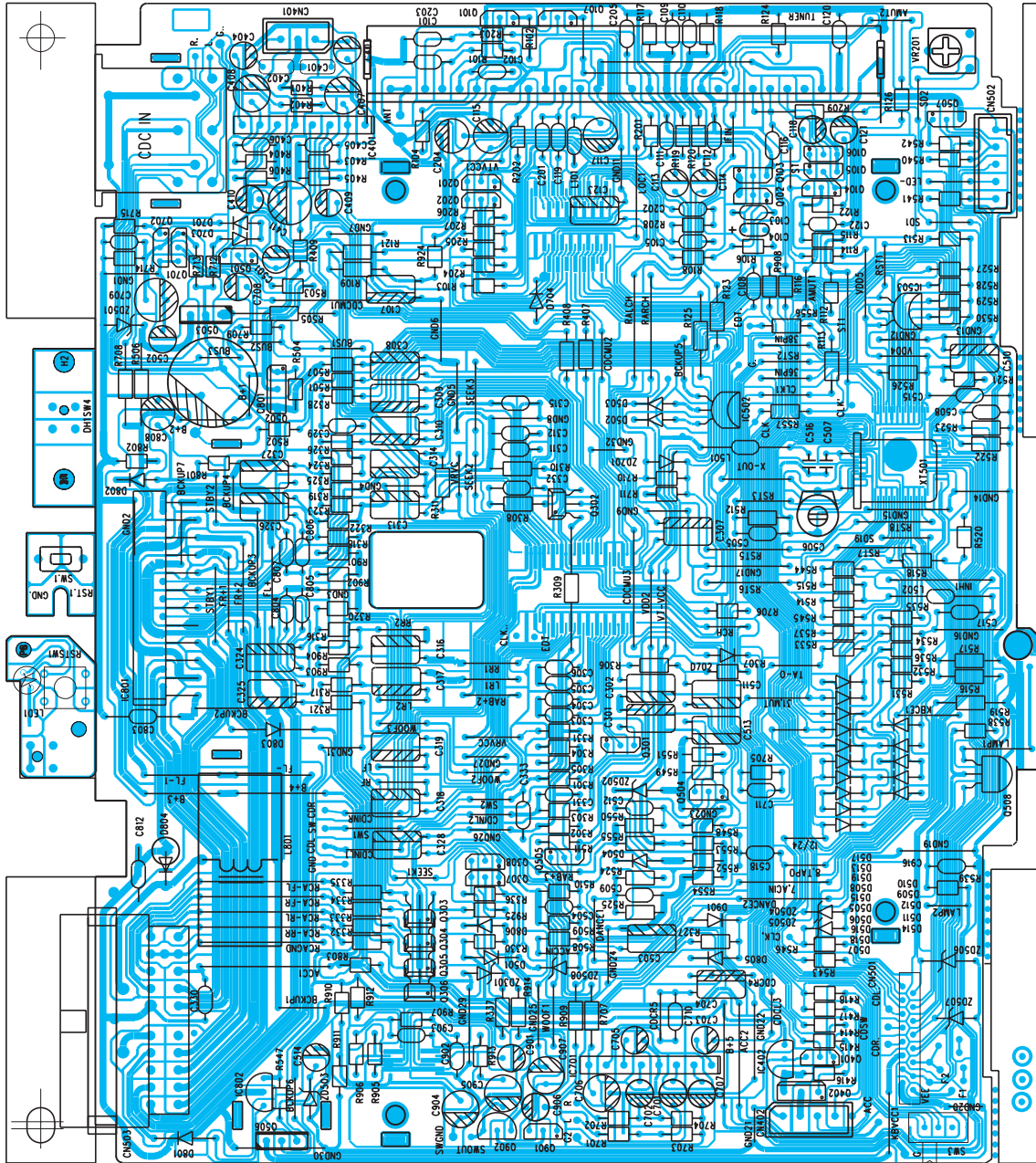
Note: Press the radio power switch to on the radio. Signal generator output must be kept as low as possible to avoid overload and clipping.

| Step | Generator Coupling | Generator | Display Setting | Adjustment | Remarks |
|--------------------------|--|---|-----------------|------------|--|
| Stereo Separation | Signal generator to antenna receptacle | 98.1 MHz Int. 1 kHz Dev. 75 kHz L+R = 90 % pilot = 10 % | 98.1 MHz | VR1 | Adjust AF output power at maximum separating more than 30 dB |
| FM SNC Adjustment | 98.1 MHz Dev. 75 kHz L+R=90 % Int. 1 kHz 60dB V output | 98.1 MHz @ 40 dB μ | 98.1 MHz | VR2 | Stereo Separation 25 dB (! 5 dB) |
| STOP SENS. | Signal Generator To antenna receptacle | 98.1 MHz mod. 1kHz dev 75kHz | 98.1 MHz | VR3 | Adjust AF to stop station. |

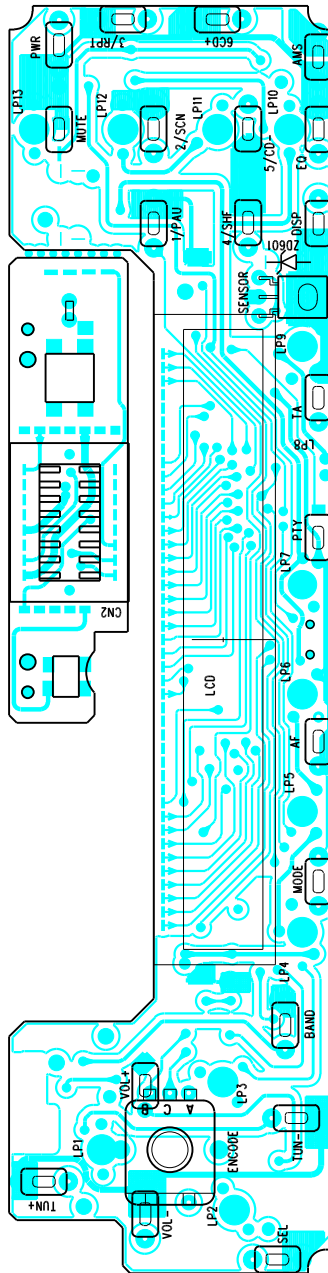
Note: The tuner module is well-adjust and adjustment is not recommended.

PRINTED CIRCUIT BOARDS

MAIN BOARD

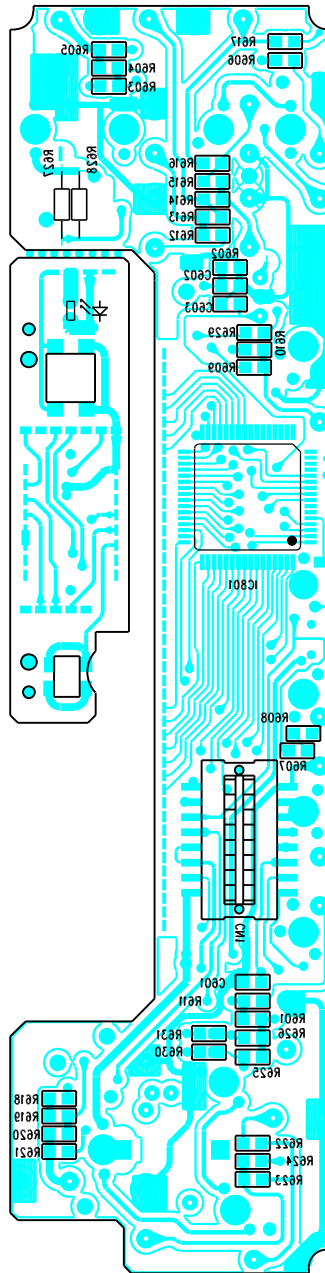
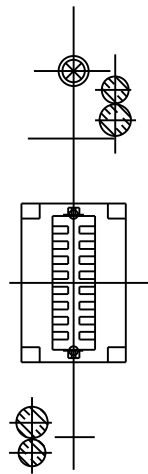


KEY BOARD



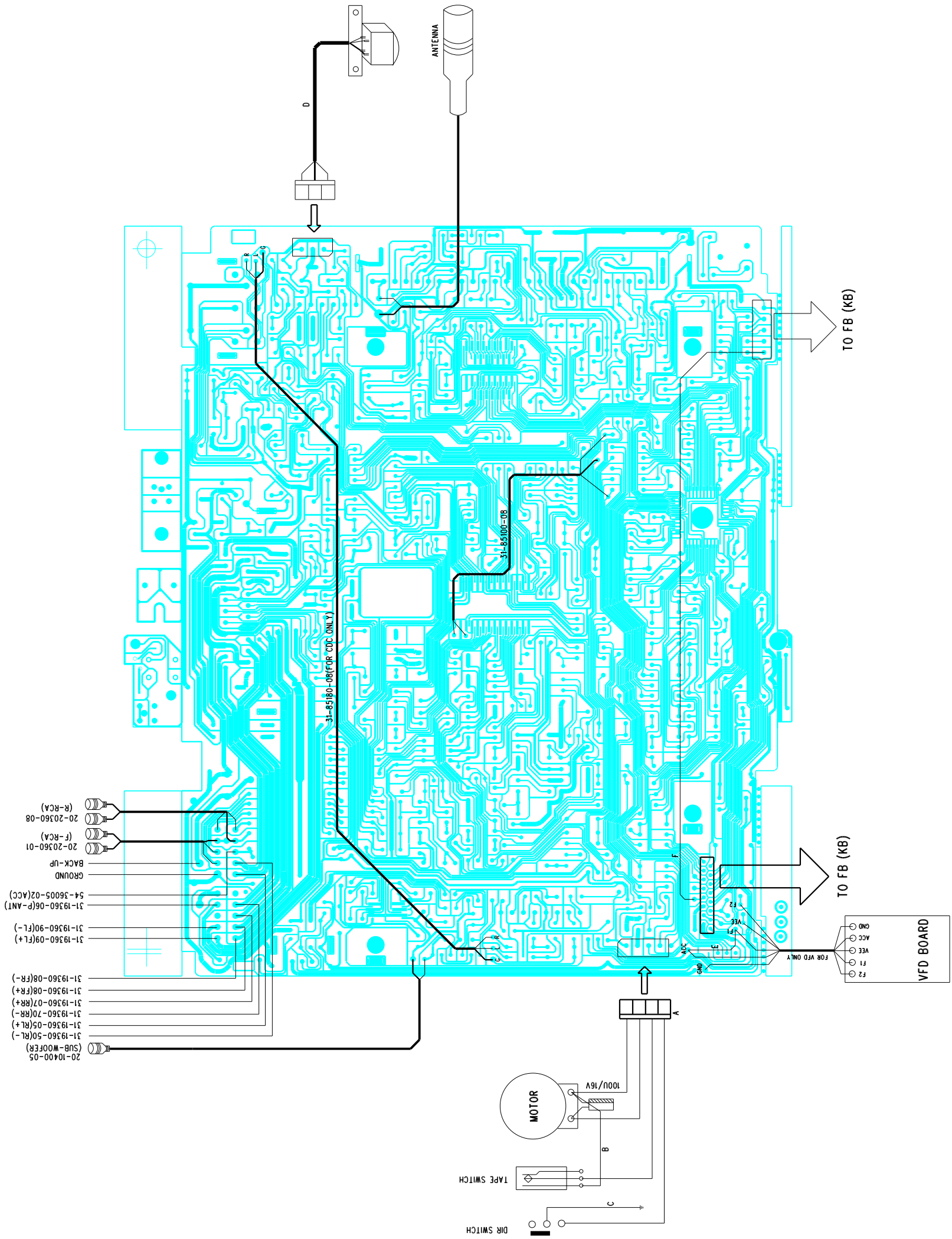
TOP VIEW

KEY BOARD



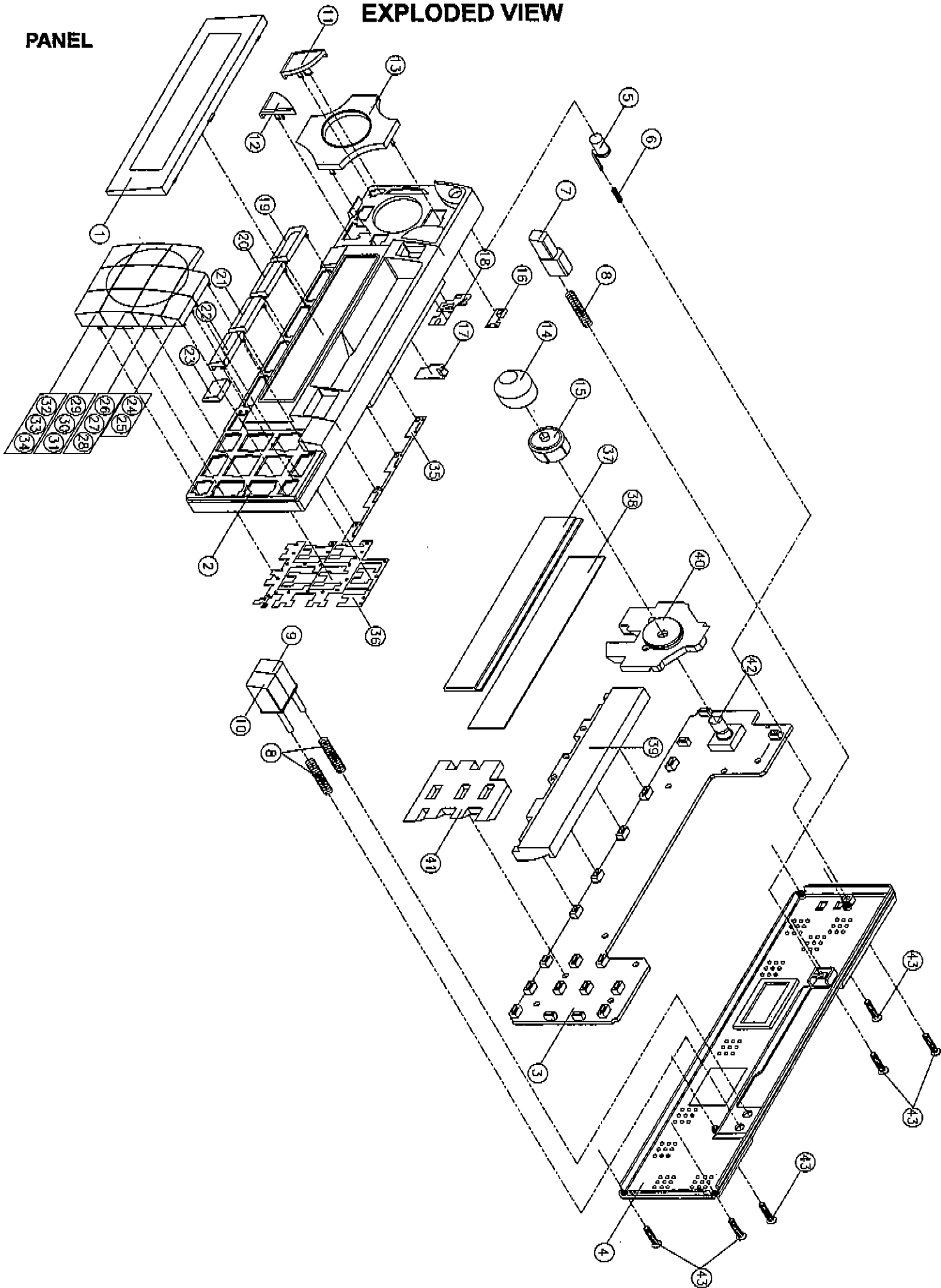
BOTTOM VIEW

WIRING DIAGRAM



PANEL

EXPLODED VIEW



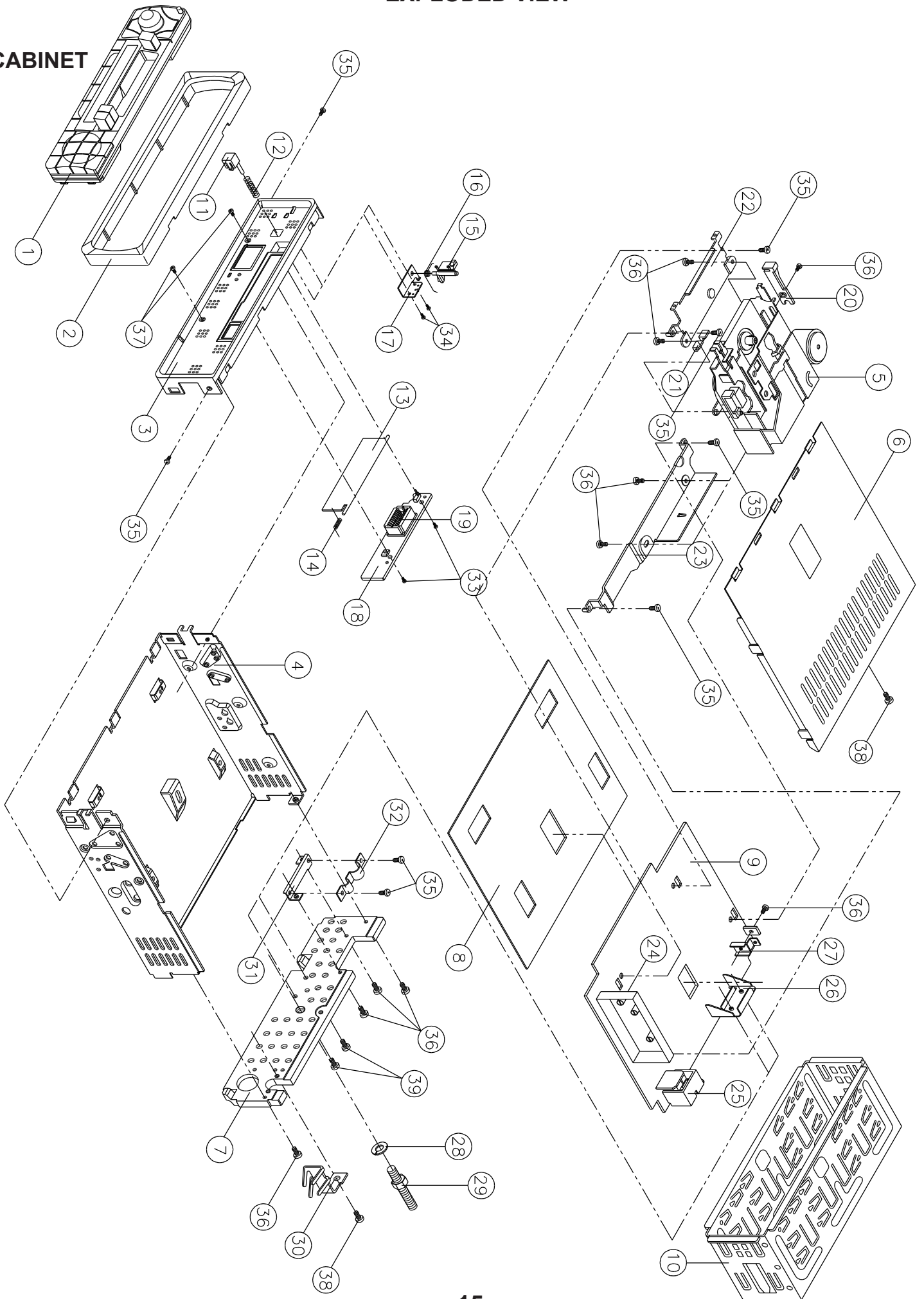
EXPLODED VIEW PARTS LIST

PANEL

| Ref. No. | Description | RS Part No. | Mfr s Part No. |
|----------|-------------------------------------|-------------|----------------|
| 1 | Lens (S. OPC0201) | | 53-A4366-81 |
| 2 | Top Panel (S. 0201) W/O CDC 143681D | | 51-A4321-82 |
| 3 | Key Board | | 12-14310-305 |
| 4 | Bottom Panel /PC | | 51-A4324-00 |
| 5 | Open Knob (S.OPC0201) | | 52-A4332-80 |
| 6 | PROG Spring | | 36-34254-00 |
| 7 | EJ Knob (A/R) (S.OPC0201) | | 52-A4329-80 |
| 8 | EJ Knob Spring | | 36-34501-00 |
| 9 | REW Knob | | 52-A4327-80 |
| 10 | FF Knob | | 52-A4328-80 |
| 11 | SEL Knob (L-Up) (S.OPC0201) | | 52-A4340-81 |
| 12 | BND/LOUD Knob (L-Up) (S.OPC0201) | | 52-A4341-81B |
| 13 | TUNE Knob (L-Up) (S.OPC0201) ENCOD | | 52-A4342-82 |
| 14 | VOL Knob For Encode (S.OPC0201) | | 52-A4354-81B |
| 15 | Volume Back Light For SW. Encode | | 52-A4363-00 |
| 16 | Left Adaptor (A) | | 43-A4303-00 |
| 17 | Left Adaptor (B) | | 43-A4304-00 |
| 18 | TUNE Knob Adaptor | | 43-A4305-00 |
| 19 | MODE Knob (S.OPC0201) | | 52-A4361-81 |
| 20 | SCAN Knob (L-Up) (S.OPC0201) | | 52-A4337-81 |
| 21 | MONO Knob (L-Up) (S.OPC0201) | | 52-A4338-81 |
| 22 | LOC Knob (L-Up) (S.OPC0201) | | 52-A4339-81 |
| 23 | Hole Cover S. OPC0201 | | 52-A4365-80 |
| 24 | MUTE Knob (L-Up) (S.OPC0201) | | 52-A4343-81 |
| 25 | Power Knob (L-Up) (S.OPC0201) | | 52-A4344-81 |
| 26 | 1 Knob (L-Up) (S.OPC0201) | | 52-A4345-82 |
| 27 | 2 Knob (L-Up) (S.OPC0201) | | 52-A4346-82 |
| 28 | 3 Knob (L-Up) (S.OPC0201) | | 52-A4347-82 |
| 29 | 4 Knob (L-Up) (S.OPC0201) | | 52-A4348-82 |
| 30 | 5 Knob (L-Up) (S.OPC0201) | | 52-A4349-82 |
| 31 | 6 Knob (L-Up) (S.OPC0201) | | 52-A4350-82 |
| 32 | DISP Knob (L-Up) (S. OPC0201) | | 52-A4351-81 |
| 33 | EQ Knob (L-Up) (S. OPC0201) | | 52-A4352-81 |
| 34 | AMS Knob (L-Up) (S. OPC0201) | | 52-A5353-81 |
| 35 | Middle Adaptor Spring White | | 43-A4301-00 |
| 36 | Right Adaptor | | 43-A4302-00 |
| 37 | LCD POS Dull TRAM. TI9012 | | 27-00178-03T |
| 38 | White TRANSFLECTOR | | 44-78101-00 |
| 39 | LCD Back Light | | 52-A4358-01 |
| 40 | Left Back Light | | 52-A4360-00 |
| 41 | Right Back Light | | 52-A4359-01 |
| 42 | CD115 Rotary Encoder VOL | | 18-00115-00 |
| 43 | Screw Ø2X8 BA/ST Black | | 40-12008-21 |

EXPLODED VIEW

CABINET

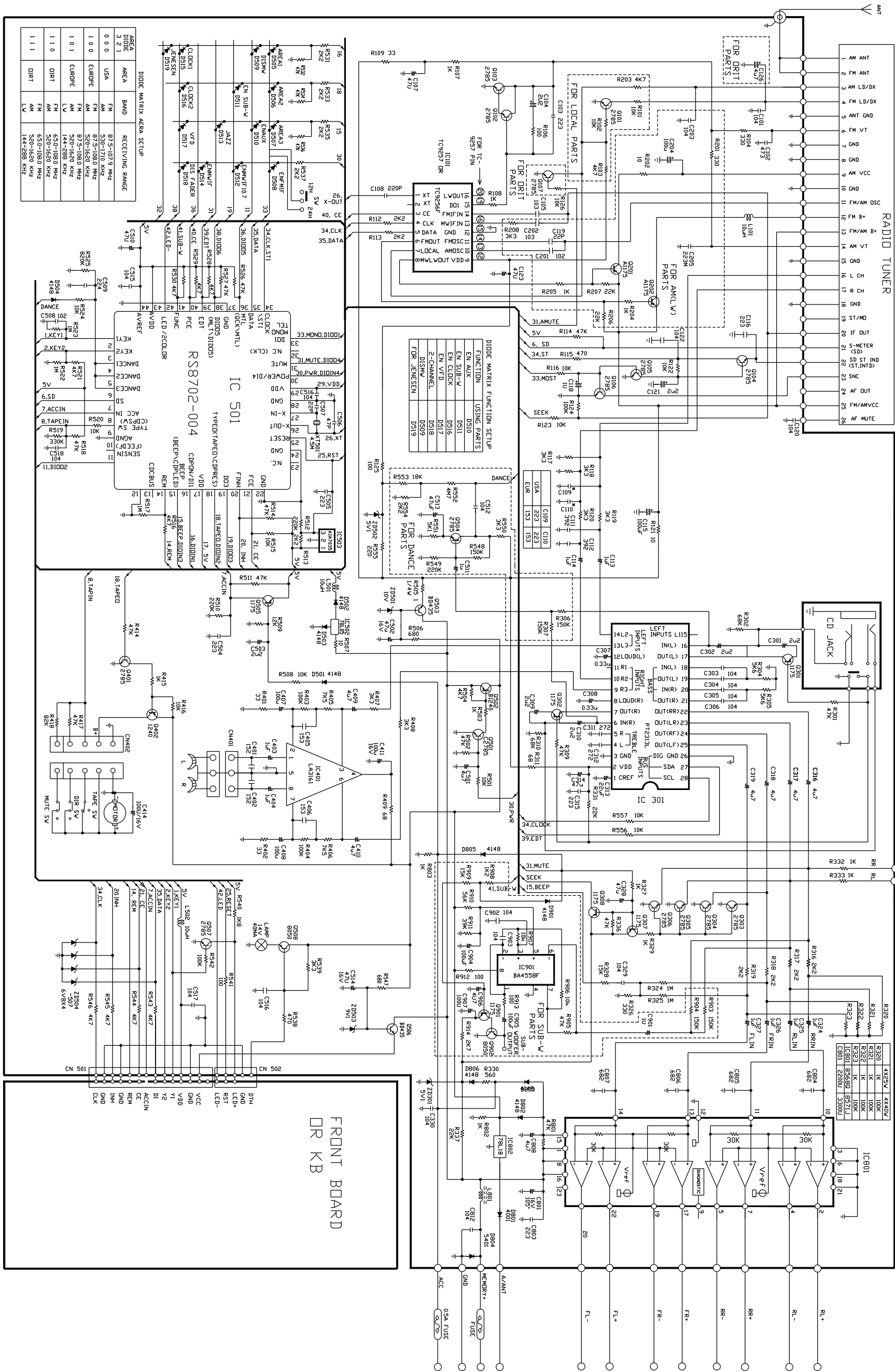


EXPLODED VIEW PARTS LIST

CABINET

| Ref. No. | Description | RS Part No. | Mfr s Part No. |
|----------|---------------------------------|-------------|----------------|
| 1 | Panel | | |
| 2 | Trim Ring +Spray Silver | | 51-64824-81B |
| 3 | Base /ABS | | 51-A4320-00 |
| 4 | Cabinet Bottom | | 61-A4302-00 |
| 5 | SM909-DL (MCI5ULCKSNZ/AP-4226) | | 94-00909-01W |
| 6 | Cabinet Top A/R | | 61-A4301-00 |
| 7 | Heat Sink W/O Socket; W/O CDC | | 61-A4306-00 |
| 8 | Main Fiber | | 35-A4301-00 |
| 9 | Main Board | | 12-14301-085 |
| 10 | Mounting Box | | 61-02905-00 |
| 11 | Spring Knob | | 52-A4323-00 |
| 12 | RE Knob Spring | | 36-11852-00 |
| 13 | Cass Door OP2320-56 | | 66-32056-00 |
| 14 | Tape Door Spring | | 36-33004-00 |
| 15 | Slide Block | | 52-A4324-00 |
| 16 | Hook Spring | | 36-A4302-00 |
| 17 | Hook Support | | 39-A4305-00 |
| 18 | Socket Board | | 12-14310-305 |
| 19 | 16PIN Socket | | 25-M6368-02 |
| 20 | Eject Lever (A/R) | | 52-A4321-00 |
| 21 | REW/FF Knob Adaptor | | 52-A4320-00 |
| 22 | Deck Front Support | | 39-A4301-00 |
| 23 | Deck Rear Support | | 39-A4302-00 |
| 24 | LA1787 FM/AM Tuner (CET-7000AF) | | 29-17870-00 |
| 25 | Touch Sheet | | 39-A1529-00 |
| 26 | IC Bracket (8568) | | 39-A4310-00 |
| 27 | BD435 Bracket | | 39-A4308-00 |
| 28 | Spring Washer M5 | | 35-50001-00 |
| 29 | Back Mounting Screw | | 34-68701-00 |
| 30 | Antenna Clip | | 39-A4309-00 |
| 31 | Wire Clip | | 39-A4306-00 |
| 32 | Clip (A) | | 39-A1520-00 |
| 33 | Screw Ø2 X 4 PH/ST | | 40-02004-05 |
| 34 | Screw Ø2 X 6 PA/ST | | 40-02006-10 |
| 35 | Screw Ø2.6 X 4 BH/MS | | 40-02604-01 |
| 36 | Screw Ø2.6 X 6 BH/MS | | 40-02606-01 |
| 37 | Screw Ø2.6 X 12 BH/MS Black | | 40-12612-11 |
| 38 | Screw Ø3 X6 PH/MS | | 40-03006-00 |
| 39 | Screw Ø3 X 18 PH/MS | | 40-03018-00 |

SCHEMATIC DIAGRAM



ELECTRICAL PARTS LIST

| Ref. No. | Parts No. | Description | Q ty |
|--------------------------------------|--------------|---|------|
| PC BOARD ASSY, MAIN BOARD | | | |
| Q503/6 | 01-00435-00S | TRANSISTOR BD435 | 2 |
| Q307/8,505 | 01-01175-00 | TRANSISTOR 2SA1175-FF | 3 |
| Q502,402 | 01-01240-00 | TRANSISTOR B1240 | 2 |
| Q303~6,401,501,101~6 | 01-02785-00 | TRANSISTOR 2SC2785-FF | 12 |
| IC502 | 01-02785-00 | IC-REGULATOR 78L05 | 1 |
| D801 | 02-04001-00A | DIODE IN4001 AT. (TAPPING) | 1 |
| D802/3/5,502/1/3,507/8/12/16,806,509 | 02-04148-00A | DIODE 1N-4148 AT. (TAPPING) | 12 |
| D804 | 02-05401-00A | DIODE IN5401 | 1 |
| ZD502,301 | 02-50051-00A | ZENER DIODE 5.1V 0.5W AT. | 2 |
| ZD504~7 | 02-50068-00A | ZENER DIODE 6.8V 0.5W AT. | 4 |
| ZD503 | 02-50091-00A | ZENER DIODE 9.1V 0.5W AT.. | 1 |
| ZD501 | 02-50100-00A | ZENER DIODE 10V 0.5W | 1 |
| IC301 | 03-02313-00 | I.C. PT2313L | 1 |
| IC401 | 03-03161-00 | I.C. LA-3161 | 1 |
| IC503 | 03-07035-00 | IC KIA7035P | 1 |
| IC802 | 03-07818-00 | REGULATOR LC-78L18 | 1 |
| IC801 | 03-05868-00 | IC TDA 8568Q/N3 (PWR) | 1 |
| IC501 | 03-08702-004 | RS8702-004 CPU (CD/MP3 NON RDS) | 1 |
| IC101 | 03-09257-00 | IC TC9257F | 1 |
| XT501 | 04-00045-00 | CRYSTAL 4.5MHz HC-18U | 1 |
| C507 | 05-00220-06 | CER CAP 22P NPO $\pm 5\%$ | 1 |
| C506 | 05-00470-06 | CER CAP 47P NPO 5% | 1 |
| C508 | 05-05102-00A | AXIAL CER CAP 1000PF $\pm 20\%$ TP. | 1 |
| C105 | 05-05103-00A | AXIAL CER CAP 0.01 μ F+80/-20% TP. | 1 |
| C329/30,515/7/8,101/20,122,812 | 05-05104-00A | AXIAL CER CAP 0.1 μ F+80/-20% TP. | 9 |
| C516 | 05-05104-82 | AXIAL TYPE UP050F104Z-NALXXX | 1 |
| C405/6,109/10 | 05-05153-00A | AXIAL CER CAP 0.015! F +80/-20% TP. | 4 |
| C119 | 05-05220-00A | AXIAL CER CAP 22PF $\pm 5\%$ TP. | 1 |
| C108 | 05-05221-00A | AXIAL CER CAP 220PF $\pm 10\%$ TP. | 1 |
| C504/5,315,803,103/16 | 05-05223-00A | AXIAL CER CAP 0.022! F +80/-20% TP. | 6 |
| C311/2 | 05-05272-00A | AXIAL CER CAP 2700PF $\pm 20\%$ TP. | 2 |
| C111/2 | 05-05392-00A | AXIAL CER CAP 3900PF $\pm 20\%$ TP. | 2 |
| C102 | 05-05473-00A | AXIAL CER CAP 0.047! F +80/-20% TP. | 1 |
| C804~7 | 05-05682-00A | AXIAL CER CAP 6800PF $\pm 20\%$ TP. | 4 |
| C303~6 | 05-06104-82 | AXIAL CER CAP 0.1 μ F X7R $\pm 10\%$ TAPE | 4 |
| C104 | 05-16225-00 | TAN CAP 2.2! F 16V | 1 |
| C407/8,115 | 06-10107-01A | E. CAP 100 μ F 10V (\varnothing 6.3X7 MINI) | 3 |
| C314,510,107,123,328 | 06-10476-01 | E. CAP 47 μ F 10V (\varnothing 4X7 MINI) | 5 |
| C324~7,403/4,113/4/8 | 06-16105-01 | E. CAP 1 μ F 16V (\varnothing 4X7 MM) | 9 |
| C411/4 | 06-16107-01 | E. CAP 100 μ F 16V (\varnothing 6.3X7 MM) | 2 |
| C302,310,503,121 | 06-16225-01 | E. CAP 2.2 μ F 16V (\varnothing 4X7) | 4 |
| C313 | 06-16226-01 | E. CAP 22 μ F 16V (\varnothing 4X7 MM) | 1 |
| C801 | 06-16228-00S | E. CAP 2200 μ F 16V (\varnothing 12.5X17 MM) | 1 |

ELECTRICAL PARTS LIST " CONTINUED

| Ref. No. | Parts No. | Description | Q ty |
|--|--------------|---|------|
| C514,502 | 06-16476-01 | E. CAP 47 μ F 16V (\varnothing 5X7MM) | 2 |
| C307/8 | 06-50334-01 | E. CAP 0.33 μ F 50V (\varnothing 4X7MM) | 2 |
| C409/10,501,316~9,808 | 06-50475-01 | E. CAP 4.7 μ F 50 (\varnothing 4X7 MINI) | 8 |
| R505 | 07-05010-00 | RES. 1 Ω 1/4W | 1 |
| R507,121 | 07-05100-16A | RES. 10 Ω 1/16W (TAPPING) | 2 |
| R541,125 | 07-05101-16A | RES. 100 Ω 1/16W (TAPPING) | 2 |
| R415,503,327/9,802/3,107/8 | 07-05102-16A | RES. 1K Ω 1/16W (TAPPING) | 9 |
| R508,416,556/7,501,101/2/12/15,520 ,116 | 07-05103-16A | RES. 10K Ω 1/16W (TAPPING) | 11 |
| R124,322/3,403/4 | 07-05104-16A | RES. 100K Ω 1/16W (TAPPING) | 5 |
| R517/22/23,324/5 | 07-05105-16A | RES. 1M" 1/16W (TAPPING) | 5 |
| R509 | 07-05123-16A | RES. 12K Ω 1/16W (TAPPING) | 1 |
| R320~3 | 07-05152-16A | RES. 1.5K Ω 1/16W (TAPPING) | 4 |
| R328 | 07-05153-16A | RES. 15K Ω 1/16W (TAPPING) | 1 |
| R540 | 07-05182-16A | RES. 1.8K Ω 1/16W (TAPPING) | 1 |
| R555,106 | 07-05221-16A | RES. 220 Ω 1/16W (TAPPING) | 2 |
| R513/31/33/35/37,112/3,316~9 | 07-05222-16A | RES. 2.2K Ω 1/16W (TAPPING) | 11 |
| R337 | 07-05223-16A | RES. 22K Ω 1/16W (TAPPING) | 1 |
| R510/2 | 07-05224-16A | RES. 220K Ω 1/16W (TAPPING) | 2 |
| R401/2,109 | 07-05330-16A | RES. 33 Ω 1/16W (TAPPING) | 3 |
| R104,326 | 07-05331-16A | RES. 330 Ω 1/16W (TAPPING) | 2 |
| R407/8,119/20 | 07-05332-16A | RES. 3.3K Ω 1/16W (TAPPING) | 4 |
| R519 | 07-05334-16A | RES. 330K Ω 1/16W (TAPPING) | 1 |
| R115 | 07-05471-16A | RES. 470 Ω 1/16W (TAPPING) | 1 |
| R521/28~30,543~6,504,103 | 07-05472-16A | RES. 4.7K Ω 1/16W (TAPPING) | 10 |
| R502,801,511/4/8,526/7,532/4/6,414 ,114,336 | 07-05473-16A | RES. 47K" 1/16W (TAPPING) | 13 |
| R330 | 07-05561-16A | RES. 560 Ω 1/16W (TAPPING) | 1 |
| R304/5 | 07-05562-16A | RES. 5.6K Ω 1/16W (TAPPING) | 2 |
| R311,409 | 07-05680-16A | RES. 68 Ω 1/16W (TAPPING) | 2 |
| R547,506 | 07-05681-16A | RES. 680 Ω 1/16W (TAPPING) | 2 |
| R405/6 | 07-05752-16A | RES. 7.5K Ω 1/16W (TAPPING) | 2 |
| L501/2,101 | 09-70100-01 | MICRO INDUCTOR 10UH AXIAL TYPE | 3 |
| | 12-14301-085 | PCB C14368X3.6 YMB 1.6X168X147 | 1 |
| L801 | 15-27014-01 | RING COIL # 27X14MM V-TYPE | 1 |
| PC BOARD ASSY, FM TUNER BOARD | | | |
| FM TUNER | 29-17870-00 | LA17878 FM/AM TUNER (CET-7000AF) | 1 |
| PC BOARD ASSY, AM TUNER BOARD | | | |
| Q201/2 | 01-01175-00 | TRANSISTOR 2SA1175-FF | 2 |
| C201 | 05-05102-00A | AXIAL CER CAP 1000PF 20% TP | 1 |
| C202 | 05-05103-00A | AXIAL CER CAP 0.01! F +80/-20% TP. | 1 |
| C203 | 05-05104-00A | AXIAL CER CAP 0.1! F +80/-20% TP. | 1 |
| C205 | 05-05223-00A | AXIAL CER CAP 0.022! F +80/-20% TP. | 1 |
| C204 | 06-10107-01 | E. CAP 100! F 10V (# 5X7MM MINI) | 1 |

ELECTRICAL PARTS LIST " CONTINUED

| Ref. NO | Part No. | Description | Q ty |
|--------------------------------------|--------------|---------------------------------|------|
| R202 | 07-05100-16A | RES. 10Ω 1/16W (TAPPING) | 1 |
| R204/5 | 07-05102-16A | RES. 1KΩ 1/16W (TAPPING) | 2 |
| R123 | 07-05103-16A | RES. 10KΩ 1/16W (TAPPING) | 1 |
| R206/7 | 07-05223-16A | RES. 22KΩ 1/16W (TAPPING) | 2 |
| R201 | 07-05331-16A | RES. 330Ω 1/16W (TAPPING) | 1 |
| R208 | 07-05332-16A | RES. 3.3KΩ 1/16W (TAPPING) | 1 |
| PC BOARD ASSY, KEY BOARD | | | |
| LED | 02-30000-02D | LED # 3MM RED | 1 |
| IC601 | 03-75823-00 | IC LC75823ED | 1 |
| C601 | 05-03223-10 | CHIP CAP CM21X7R223K25AT | 1 |
| C602 | 05-03681-00 | CHIP CER 680P 50V X7R TA | 1 |
| R608 | 07-05122-54 | CHIP RES 1.2KΩ 1/10W | 1 |
| R620 | 07-05152-54 | CHIP RES 1.5KΩ 1/10W | 1 |
| R610 | 07-05153-54 | CHIP RES 15KΩ 1/10W | 1 |
| R627/8 | 07-05181-00 | RES 180Ω 1/4W | 2 |
| R603,612 | 07-05181-54 | CHIP RES 180Ω 1/10W | 2 |
| R604/13 | 07-05221-54 | CHIP RES 220Ω 1/10W | 2 |
| R621/18 | 07-05222-54 | CHIP RES 2.2KΩ 1/10W | 2 |
| R611 | 07-63331-00 | CHIP RES 2.7KΩ 1/10W | 1 |
| R605/14 | 07-05331-54 | CHIP RES 330" 1/10W | 2 |
| R622 | 07-05332-54 | CHIP RES 3.3KΩ 1/10W | 1 |
| R617 | 07-05393-54 | CHIP RES 39KΩ 1/10W | 1 |
| R606/15 | 07-05471-54 | CHIP RES 470" 1/10W | 2 |
| R601 | 07-05472-54 | CHIP RES 4.7KΩ 0805 1/10W 5% | 1 |
| R602 | 07-05513-54 | CHIP RES 51KΩ 1/10W | 1 |
| R607/16/19 | 07-05681-54 | CHIP RES 680Ω 1/10W | 3 |
| R609 | 07-05682-54 | CHIP RES 6.8KΩ 1/10W | 1 |
| | 12-14310-305 | RDS143681 KB D/S 1.2X167.6X42.3 | 1 |
| SW | 16-01107-00K | TACT SW. DCT/1101 4.3MM 2 PIN | 18 |
| AMS | 16-01140-04 | TACT SW. KPS-1107SW H=2.5 KIE | 1 |
| RST | 16-05001-00 | TACT SW. TS-065001-150 H=5MM | 1 |
| PCBOARDASSY, SERVO BOARD | | | |
| C401/2 | 05-02152-10 | MYLAR CAP 0.0015! F 10% | 2 |
| R417 | 07-05473-16A | RES. 47K" 1/16W (TAPPING) | 1 |
| PC BOARD ASSY, LINE OUT BOARD | | | |
| R332/3 | 07-05102-16A | RES. 1kΩ 1/16W (TAPPING) | 2 |
| RCA OUT | 20-20200-08 | DOUBLE RCA CABLE 200MM Grey | 1 |
| PC BOARD ASSY, FRONT BOARD | | | |
| LED | 02-30000-02D | LED # 3MM RED | 1 |
| RST | 16-05001-00 | TACT SW TS-065001-150 H=5MM | 1 |

SPECIFICATIONS

| | |
|----------------------------------|----------------------------------|
| T. H. D | Less than 0.35% |
| Signal to Noise Ratio | More than 60 dB |
| Channel Separation..... | More than 60 dB |
| Frequency Response | 50Hz - 8,000Hz |
| Stereo separating (FM) | 30 dB (at 1kHz) |
| Signal to noise ratio (FM) | Better than 45 dB |
| Output power | 4 X 25W |
| Speaker output impedance | 4 To 8 ohm |
| Power source..... | DC 12V (11~16V) Negative ground. |
| Frequency range | FM 87.5 - 108.0 MHz |
| | MW 522-1620 kHz |
| | LW 144 - 288 kHz |
| Sensitivity | FM 3 μ V (S/N=30 dB) |
| | MW 32 dB (S/N=20 dB) |
| | LW 35 dB (S/N=20 dB) |

Specifications are subject to change without notice.