

AP-D2

DIRECT DRIVE TURNTABLE



WARNING

To prevent fire or shock hazard, do not expose this appliance to rain or moisture.

MISE EN GARDE

Pour éviter les risques d'incendie ou de décharge électrique, ne pas exposer cet appareil aux intempéries ou à l'humidité.

Operator's Manual	Page 1-14
Manuel de l'utilisateur	Page 1-14
Gebruiksaanwijzing	Blz. 15-28
Bruksanvisning	Sid. 15-28
Bedienungsanleitung	Seite 29-42
Manual del usuario	Página 29-42

AKAI

Warning

Power requirements

Power requirements for electrical equipment differ from area to area. Please ensure that your machine meets the power requirements in your area. If in doubt, consult a qualified electrician.

120V, 60 Hz for USA and Canada
220V, 50 Hz for Europe except UK
240V, 50 Hz for UK and Australia
110V — 120V/220V — 240V, 50/60 Hz switchable for other countries.

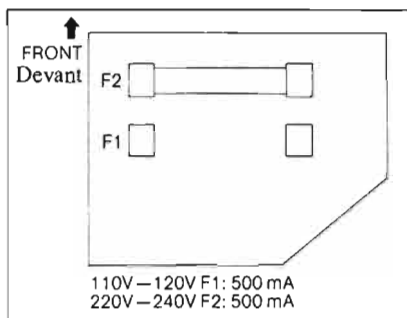
Voltage conversion

Do not attempt this conversion yourself.

Models for Canada, USA, Europe, UK and Australia are not equipped with this facility. Each machine is preset at the factory according to destination, but some machines can be set to 110V — 120V or 220V — 240V as required. If your machine's voltage can be converted:

1. Disconnect the power cord.
2. Remove the bottom cover.
3. Remove the existing Line Voltage Fuse and insert the required Line Voltage Fuse in the proper fuse holder according to the printed instructions.

This equipment conforms to No. 76/889/EEC standard.



Mise en garde

Alimentation

La tension des appareils électriques varie selon les régions.

S'assurer que l'appareil est conforme à la tension d'alimentation dans la région où vous habitez.

Consulter un électricien qualifié en cas de doute.

120V, 60 Hz pour les Etats-Unis et le Canada
220V, 50 Hz pour l'Europe sauf le Royaume-Uni
240V, 50 Hz pour le Royaume-Uni et l'Australie

110V — 120V/220V — 240V, 50/60 Hz commutable pour les autres pays.

Conversion de la tension


N'essayez pas d'effectuer vous-même cette conversion.

Les modèles destinés au Canada, aux Etats-Unis, à l'Europe, au Royaume-Uni et à l'Australie ne sont pas équipés de ce dispositif. Chaque appareil est pré-réglé en usine selon sa destination, mais certains appareils peuvent être réglés sur 110V — 120V ou 220V — 240V si nécessaire. Si la tension de l'appareil peut être changée.

1. Déconnecter le cordon secteur.
2. Déplacez le sélecteur de tension (VOLTAGE SELECTOR) situé sur le coffret, sous le plateau, avec un tournevis de sorte que le repère soit sous la tension correspondant à votre région.

Cet appareil est conforme aux normes No. 76/889 de la CEE.

Precautions



CAUTION
RISK OF ELECTRIC SHOCK
DO NOT OPEN



**CAUTION: TO REDUCE THE RISK OF ELECTRIC SHOCK, DO NOT REMOVE COVER (OR BACK).
NO USER-SERVICEABLE PARTS INSIDE.
REFER SERVICING TO QUALIFIED SERVICE PERSONNEL.**



The lightning flash with arrowhead symbol superimposed across a graphical representation of a person, within an equilateral triangle, is intended to alert the user to the presence of uninsulated "dangerous voltage" within the product's enclosure; that may be of sufficient magnitude to constitute a risk of electric shock to persons.



The exclamation point within an equilateral triangle is intended to alert the user to the presence of important operating and maintenance (servicing) instructions in the literature accompanying the appliance.

What you should know to protect yourself and the Akai Direct Drive Turntable AP-D2

Watch out! You might get an electric shock.

- Never touch the plug with wet hands.
- Always pull out by the plug and never the cord.
- Only let a qualified professional repair or reassemble the Akai AP-D2. An unauthorized person might touch the internal parts and receive a serious electric shock.
- Never allow a child to put anything, especially metal, into the Akai AP-D2.

Let's protect the Akai AP-D2 too.

- Use only household AC power source. Never use DC power source.
- Make sure that power consumption of each component does not exceed the wattage specified on the rear panel.
- If water is spilled on the Akai AP-D2, disconnect and call your dealer.
- Make sure that the Akai AP-D2 is well ventilated and away from direct sunlight.
- To avoid damages to the internal circuits and the external surface, keep away from heat (stoves, etc.).
- Avoid using spray type insecticide near the Akai AP-D2. It can damage the finish and might ignite suddenly.
- To avoid damaging the finish, never use alcohol, paint thinner or other similar chemicals to clean the Akai AP-D2.
- Place the Akai AP-D2 on a flat and solid surface.

Let's be careful when you move the Akai AP-D2.

- Unplug the output cord and the power cord.
- Lock the tone arm to the tone rest.
- To protect the insulator, lift the Akai AP-D2 and then move it.
- When transporting the Akai AP-D2 over a long distance, place Akai AP-D2 in its original box wrapped in its protective wrappers.

To enjoy the Akai AP-D2 for a long time, please read this operator's manual thoroughly.

This turntable is not equipped with a power switch. Even though the function switch is set to off, the power supply to the turntable is not completely turned off.

Précautions à prendre

Ce que vous devez savoir pour vous protéger et protéger la table de lecture à entraînement direct AP-D2 Akai

Faites attention! Vous pourriez recevoir un décharge électrique.

- Ne touchez jamais la prise avec des mains mouillées.
- Débrancher en tirant toujours la prise et non le cordon.
- Ne faites réparer ou réassembler la AP-D2 que par un spécialiste. Une personne non qualifiée pourrait toucher des pièces internes et recevoir une sérieuse décharge électrique.
- Ne laissez jamais un enfant mettre quelque chose, en particulier en métal, dans la AP-D2 Akai.

Protégez la AP-D2 Akai

- N'utilisez qu'une source d'alimentation secteur. N'utilisez jamais de source CC.
- Assurez-vous que la consommation de chaque élément n'excède pas le wattage spécifié sur le panneau arrière.
- Au cas où de l'eau est renversée sur la AP-D2 Akai, débranchez-la et appelez votre concessionnaire.
- Assurez-vous que la AP-D2 Akai est bien aérée et éloignée des rayons directs du soleil.
- Afin d'éviter tout dommage aux circuits internes et à la surface extérieure, maintenez-la éloignée de la chaleur (fours, etc.).
- Evitez d'utiliser des insecticides de type aérosol près de la AP-D2 Akai. Ils peuvent endommager la finition et s'enflammer soudainement.
- Afin d'éviter d'endommager la finition, n'utilisez jamais d'alcool, de diluant ou d'autres produits chimiques similaires pour nettoyer la AP-D2 Akai.
- Placez la AP-D2 Akai sur une surface plane et solide.

Faites attention lorsque vous déplacez la AP-D2 Akai.

- Débranchez le cordon de sortie et le cordon secteur.
- Bloquez le bras acoustique sur son support.
- Pour protéger l'isolateur, soulevez la AP-D2 Akai, puis déplacez-la.
- Pour transporter la AP-D2 sur une longue distance, placez la AP-D2 dans sa boîte d'origine, enveloppée dans ses emballages de protection.

Prière de lire ce manuel dans son intégrité afin pouvoir apprécier la AP-D2 pendant de nombreuses années.

Cette table de lecture n'est pas équipée d'un commutateur d'alimentation. Réglez le commutateur de fonction sur arrêt (OFF), mais l'alimentation à cette table de lecture n'est cependant pas complètement coupée.

FOR CUSTOMERS IN THE U.K.

IMPORTANT FOR YOUR SAFETY

The flex supplied with your machine will have either two wires or three as shown in the illustrations.

THREE CORE FLEX WARNING THIS APPARATUS MUST BE EARTHED IMPORTANT

The wires in this mains lead are coloured in accordance with the following code:

Green-and-yellow: Earth

Blue: Neutral

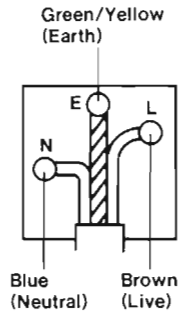
Brown: Live

As the colours of the wires in the mains lead of this apparatus may not correspond with the coloured markings identifying the terminals in your plug, proceed as follows:

The wire which is coloured green-and-yellow must be connected to the terminal in the plug which is marked by the letter E or by the safety earth symbol or coloured green or coloured green-and-yellow.

The wire which is coloured blue must be connected to the terminal which is marked with the letter N or coloured black.

The wire which is coloured brown must be connected to the terminal which is marked with the letter L or coloured red.



TWO CORE FLEX IMPORTANT

The wires in this mains lead are coloured in accordance with the following code:

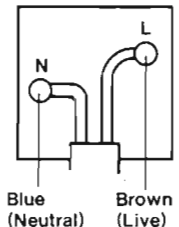
Blue: Neutral

Brown: Live

As the colours of the wires in the mains lead of this apparatus may not correspond with the coloured markings identifying the terminals in your plug, proceed as follows:

The wire which is coloured blue must be connected to the terminal which is marked with the letter N or coloured black.

The wire which is coloured brown must be connected to the terminal which is marked with the letter L or coloured red.



Do not connect any wire to the larger pin marked E or ⏏ when wiring a plug. Ensure that all terminals are securely tightened and that no loose strands of wire exist.

FOR CUSTOMERS IN AUSTRALIA

If your machine comes with a three core power cord, FOR YOUR SAFETY,

1. Insert this plug only into an effectively earthed three-pin plug socket outlet.
2. If any doubt exists regarding the earthing, consult a qualified electrician.
3. Extension cords, if used, must be three core correctly wired.

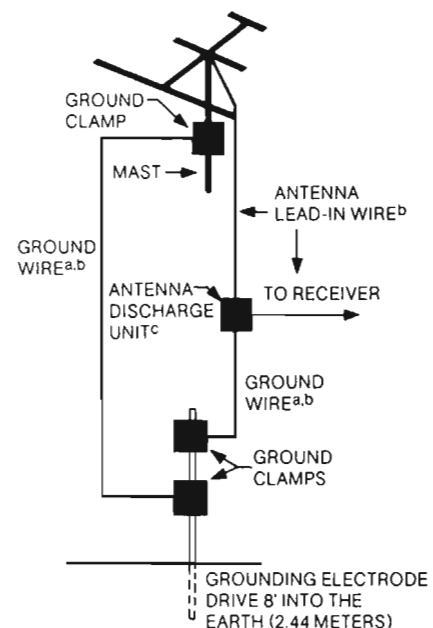
FOR CUSTOMERS IN THE U.S.A.

SAFETY INSTRUCTIONS

1. **Read Instructions** — All the safety and operating instructions should be read before the equipment is operated.
2. **Retain Instructions** — The safety and operating instructions should be retained for future reference.
3. **Heed Warnings** — All warnings on the equipment and in the operating instructions should be adhered to.
4. **Follow Instructions** — All instructions for operating and use should be followed.
5. **Water and Moisture** — The equipment should not be used near water — for example, near a bathtub, washbowl, kitchen sink, laundry tub, in a wet basement, or near a swimming pool, etc.
6. **Carts and Stands** — The equipment should be used only with a cart or stand that is recommended by Akai.
7. **Wall or Ceiling Mounting** — Akai does not recommend mounting the equipment on a wall or a ceiling.
8. **Ventilation** — The equipment should be situated so that its location or position does not interfere with its proper ventilation. For example, the equipment should not be situated on a bed, sofa, rug, or similar surface that may block the ventilation openings; or, placed in a built-in installation, such as a bookcase or cabinet that may impede the flow of air through the ventilation openings.
9. **Heat** — The equipment should be situated away from heat sources such as radiators, heat registers, stoves, or other equipments (including amplifiers) that produce heat.

10. **Power Sources** — The equipment should be connected to a power supply only of the type described in the operating instructions or as marked on the equipment.
11. **Grounding or Polarization** — The precautions should be taken so that the grounding or polarization means of an equipment is not defeated.
12. **Power-Cord Protection** — Power-supply cords should be routed so that they are not likely to be walked on or pinched by items placed upon or against them, paying particular attention to cords at plugs, convenience receptacles, and the point where they exit from the equipment.
13. **Cleaning** — The equipment should be cleaned only as recommended by the manufacturer.
14. **Power Lines** — An outdoor antenna should be located away from power lines.
15. **Outdoor Antenna Grounding** — If an outside antenna is connected to the receiver, be sure the antenna system is grounded so as to provide some protection against voltage surges and built up static charges. Section 810 of the National Electrical Code, ANSI/NFPA No. 70—1981, provides information with respect to proper grounding of the mast and supporting structure, grounding of the lead-in wire to an antenna discharge unit, size of grounding conductors, location of antenna-discharge unit, connection to grounding conductors, location of antenna-discharge unit, connection to grounding electrodes, and requirements for the grounding electrode. See Figure 1.
16. **Nonuse Periods** — The power cord of the equipment should be unplugged from the outlet when left unused for a long period of time.
17. **Object and Liquid Entry** — Care should be taken so that objects do not fall and liquids are not spilled into the enclosure through openings.
18. **Damage Requiring Service** — The equipment should be serviced by qualified service personnel when:
 - A. The power-supply cord or the plug has been damaged; or
 - B. Objects have fallen, or liquid has been spilled into the equipment; or
 - C. The equipment has been exposed to rain; or
 - D. The equipment does not appear to operate normally or exhibits a marked change in performance; or
 - E. The equipment has been dropped, or the enclosure damaged.
19. **Servicing** — The user should not attempt to service the equipment beyond that described in the operating instructions. All other servicing should be referred to qualified service personnel.

FIGURE 1
EXAMPLE OF ANTENNA GROUNDING AS
PER NATIONAL ELECTRICAL CODE INSTRUCTIONS



- a Use No. 10 AWG (5.3 mm²) copper, No. 8 AWG (8.4 mm²) aluminum, No. 17 AWG (1.0 mm²) copper-clad steel or bronze wire, or larger, as ground wire.
- b Secure antenna lead-in and ground wires to house with stand-off insulators spaced from 4 feet (1.22 m) to 6 feet (1.83 m) apart.
- c Mount antenna discharge unit as close as possible to where lead-in enters house.

Features

The Akai AP-D2 is a Direct Drive Turntable which uses FG servo direct drive motor for stable record playback.

Use the Akai AP-D2 in combination with the other components in the Pro Series and you will have an excellent hi-fi system.

1. Auto return turntable system.
2. Highly sensitive straight tone arm.
3. Uses low resonant cabinet which is effective against howling.
4. Front panel operations.

Table of contents

Warning.....	1
Precautions.....	1-2
Features.....	3
Controls.....	4
Turntable set-up.....	5
Connections.....	6
Let's adjust the Akai Direct Drive Turntable AP-D2 for good playback.....	7-8
Let's listen to a record.....	9-10
Changing the cartridge.....	11-12
Useful facts.....	12
Let's check first.....	13
Specifications.....	14

Caractéristiques

La AP-D2 Akai est une table de lecture entraînement direct utilisant un servo-moteur à entraînement direct à générateur de fréquence.

Utilisez la AP-D2 Akai de dimensions moyennes avec les autres éléments de la série Pro et vous aurez une excellente chaîne haute fidélité.

1. Système de retour automatique.
2. Bras acoustique hautement sensible.
3. Incorpore un coffret à faible résonance qui est très efficace pour réduire le ronflement.
4. Opération par panneau frontal.

Table des matières

Mise en garde.....	1
Précautions à prendre.....	1
Caractéristiques.....	3
Commandes.....	4
Assemblage de la table de lecture.....	5
Connexions.....	6
Réglez la table de lecture à entraînement direct AP-D2 Akai pour obtenir une bonne reproduction.....	7-8
Ecoute d'un disque.....	9-10
Remplacement de la cellule.....	11-12
Connaissances utiles.....	12
Vérifiez tout d'abord.....	13
Caractéristiques.....	14



Controls Commandes

- * The Akai AP-D2's head shell cannot be removed.
- * La coquille de tête de l'AP-D2 ne peut pas être enlevée.

Rubber mat

Place a record here.

Tapis en caoutchouc

Y placer un disque.

Dust cover

To keep out dust.

Couvercle pare-poussière

Pour protéger de la poussière.

45 rpm adaptor holder

Support d'adaptateur pour disques

45 tpm

SPEED selector

Use to select the record speed.

Sélecteur de vitesse (SPEED)

A utiliser pour sélectionner la vitesse du disque.

SERVO LOCK indicator

To indicate platter is rotating at correct speed.

Indicateur de servo-verrouillage (SERVO LOCK)

Indique que le plateau tourne-disques tourne à la vitesse correcte.

CUT/RETURN button

Use to automatically lift tone arm and return to tone arm rest.

Touche d'arrêt/retour (CUT/RETURN)

A utiliser pour soulever le bras acoustique et le ramener automatiquement sur son support.

Tone arm rest with clamp

Holds the tone arm

Support du bras acoustique avec collier

Maintient le bras acoustique.

Main weight

Contrepoids principal

Stylus Pressure Scale Ring

Bague graduée de réglage de force d'appui

ANTI SKATING adjustor

Dispositif de réglage de compensation de poussée latérale (ANTI SKATING)

Tone arm

Cartridge/head shell

Picks up musical information from the record and then converts it to electrical signals.

Bras acoustique

Cellule/coquille de tête

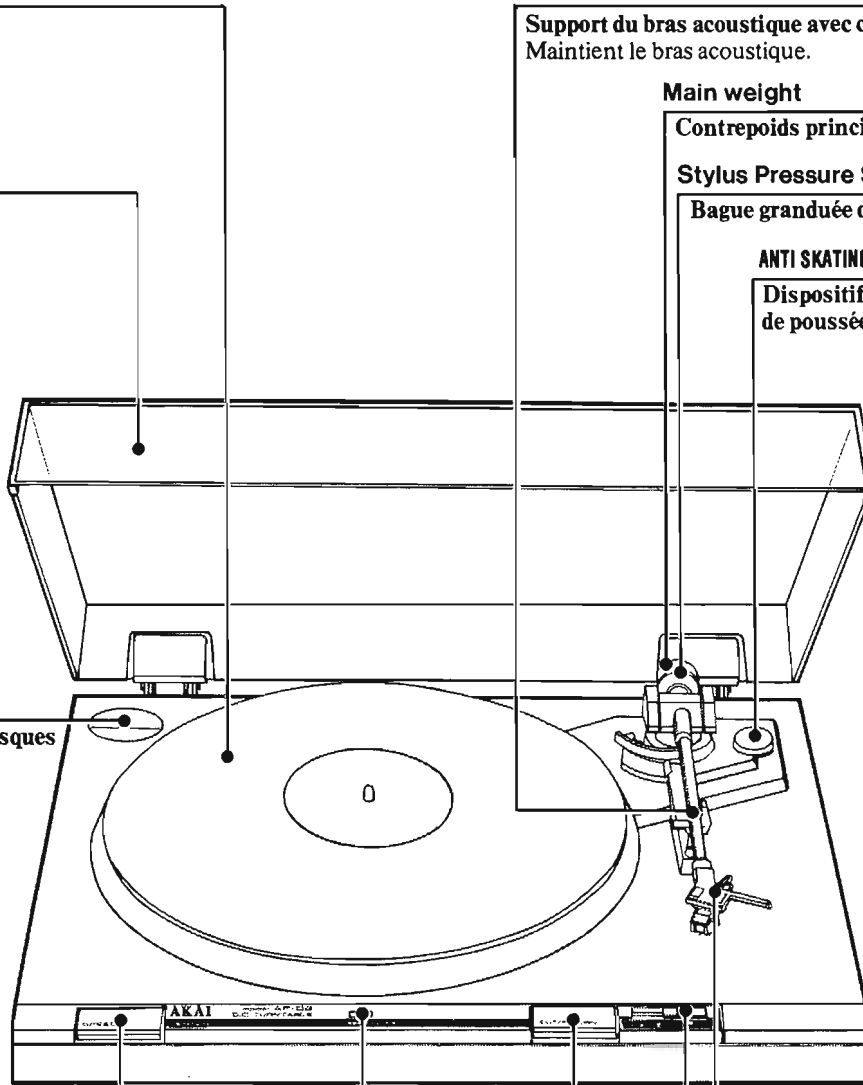
Capte les informations musicales du disque et les convertit en signaux électriques.

CUE lever

Use to raise or lower the tone arm.

Levier de repérage (CUE)

A utiliser pour soulever ou descendre le bras acoustique



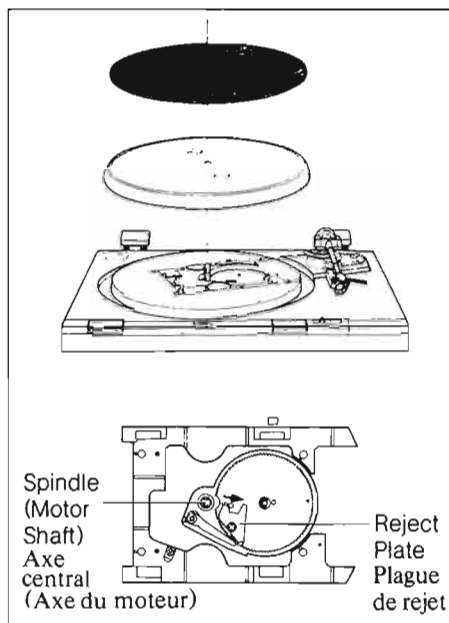


Turntable set-up

Assemblage de la table de lecture

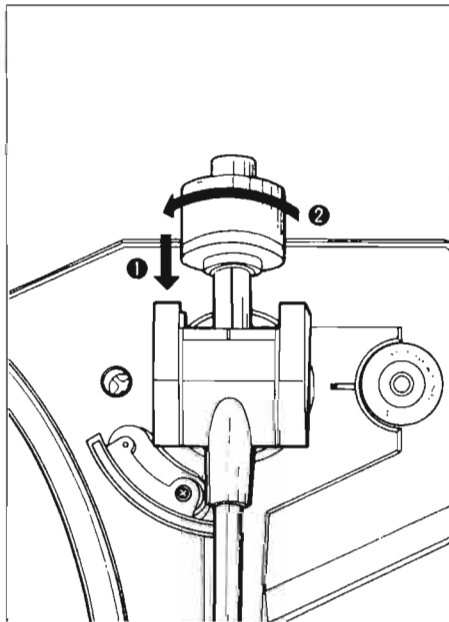
Platter

1. Remove the two shipping screws.
2. After confirming that the Reject Plate is as shown in the illustration, align the center of the Platter with the Spindle and carefully lower into place.
3. Place the rubber mat on the platter, the side with AKAI mark upwards.



Tone arm

With the Stylus Pressure Scale Ring to the front, fit the Main Weight to the rear end of the Tone Arm and turn counterclockwise as viewed from the front.



Plateau

1. Enlevez les trois vis d'expédition.
2. Faites passer la courroie d'entraînement, avec les doigts, par l'un des trous de la table de lecture, enroulez-la sur le cabestan et dans le guide de courroie.
3. Placez le tapis en caoutchouc sur le plateau, la face portant le nom AKAI étant vers le haut.

Bras de lecture

La bague graduée de réglage de force d'appui étant placée en avant, installer le contrepois principal par l'embout arrière du bras de lecture en le tournant dans le sens inverse des aiguilles d'une montre, vu depuis l'avant.



Connections Connexions

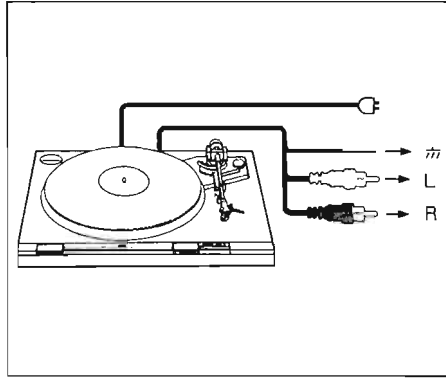
Before connecting

Leave the power cord disconnected.

Avant la connexion

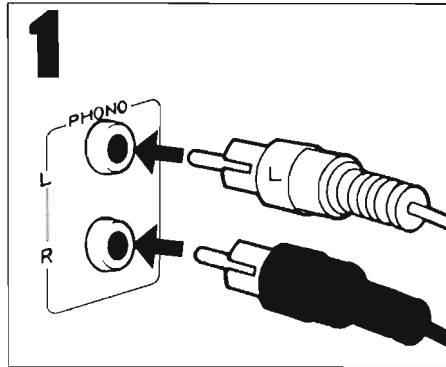
Laissez le cordon secteur déconnecté.

Make sure that you connect the red PIN-plug to the right (R-red) jack and the white PIN-plug to the left (L-white) jack.



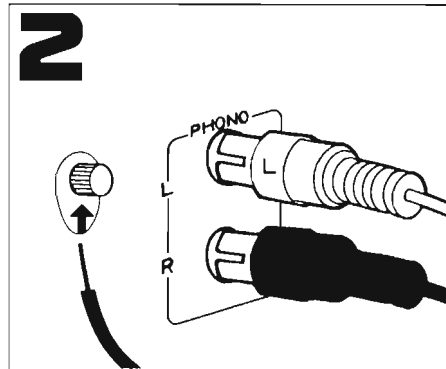
Assurez-vous de bien connecter la prise PIN rouge au jack droit (R-rouge) et la prise PIN blanche au jack gauche (L-blanc).

Connect the Akai AP-D2's output cord to the amplifier's **PHONO** jacks.



Connectez le cordon de sortie de la AP-D2 Akai aux jacks **PHONO** de l'amplificateur.

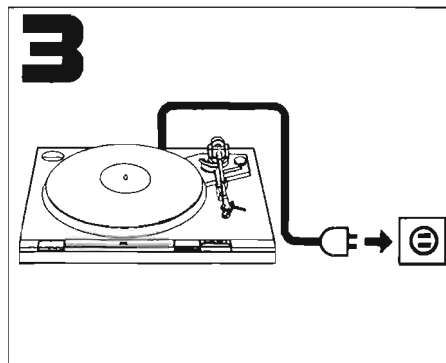
Connect the Akai AP-D2's ground wire to the amplifier's ground (⚡) terminal.



Connectez le fil de terre de la AP-D2 à la borne de terre (⚡) de l'amplificateur.

After you have connected everything else

Connect the power cord to a household or amplifier's AC outlet.



Après avoir tout connecté

Connectez le cordon secteur à une sortie secteur ou à la sortie CA de l'amplificateur.

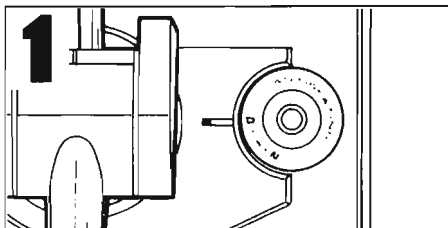


Let's adjust the Akai Direct Drive Turntable AP-D2 for good Réglez la table de lecture à entraînement direct AP-D2 Akai

In order for the stylus to track the record grooves properly, the stylus pressure must be set correctly. Incorrect stylus pressure can lead to damages to the record as well as distorted sound.

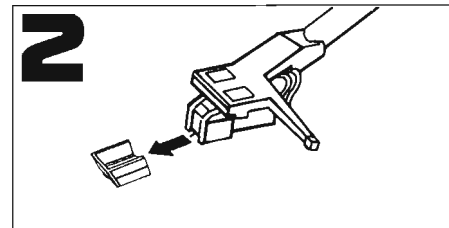
Afin que la pointe de lecture lise correctement les sillons du disque, la pression de la pointe de lecture doit être correctement réglée. Une pression incorrecte de la pointe de lecture peut endommager les disques et provoquer une distorsion du son.

Set the **ANTI SKATING** adjuster to "0".



Réglez l'ajusteur d'**ANTI SKATING** sur "0".

Remove the stylus guard.



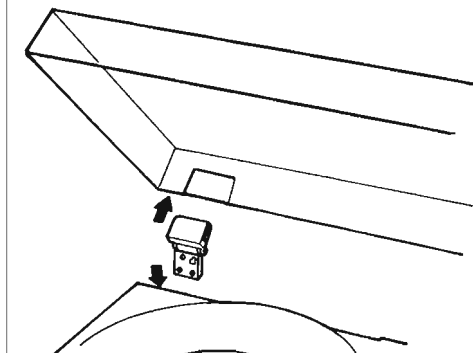
Enlevez la protection de la pointe de lecture.

Dust cover

Attach the dust cover after setting the stylus pressure.

Couvercle pare-poussière

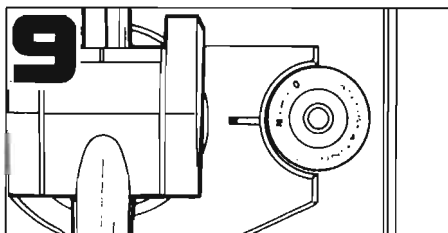
Fixez le couvercle pare-poussière après avoir réglé la pression de la pointe de lecture.



You have now completed the procedure for setting the stylus pressure. When you replace the attached cartridge with a new one, you must perform the same procedure.

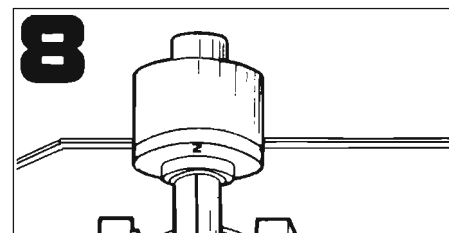
Vous avez maintenant terminé le réglage de la pression de la pointe de lecture. Vous devez effectuer les mêmes opérations pour remplacer la cellule.

Set the **ANTI SKATING** Adjuster to "2".



Réglez l'ajusteur d'**ANTI SKATING** sur "2".

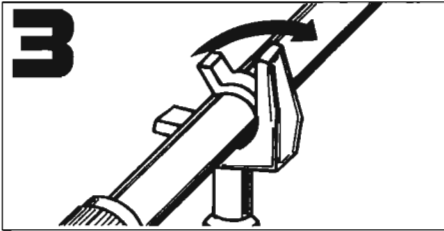
Lock the tone arm and rotate the main weight counterclockwise, as viewed from the front (the Stylus Pressure Scale Ring will move with it), until the Stylus Pressure Scale indication "2" is in line with the mark on the shaft.



Bloquez le bras acoustique et faites tourner le contrepoids principal dans le sens inverse à celui du mouvement des aiguilles d'une montre, vu depuis l'avant (la bague de calibrage de pression de la pointe de lecture se déplacera en même temps), jusqu'à ce que l'indication "2" de la bague alignée avec le repère sur l'axe.

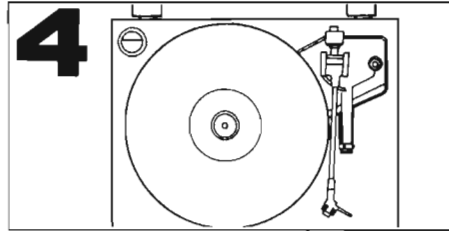
playback pour obtenir une bonne reproduction

Unlock the tone arm.



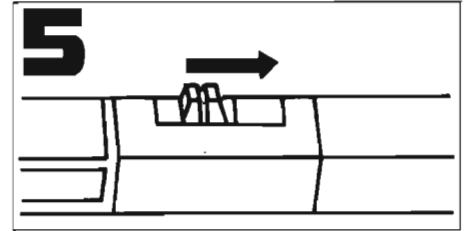
Débloquez le bras acoustique.

Move the tone arm until it is midway between the tone arm rest and the rim of the platter.



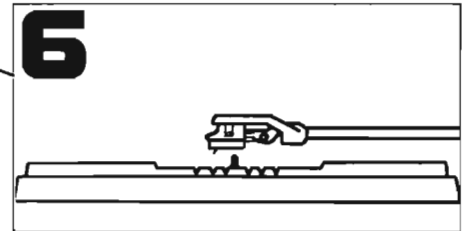
Déplacez le bras de lecture jusqu'à ce qu'il soit à mi-chemin entre son support et le bord du plateau.

To protect the stylus, hold the cartridge by the handle and set the **CUE** lever to **▼** to lower the tone arm.



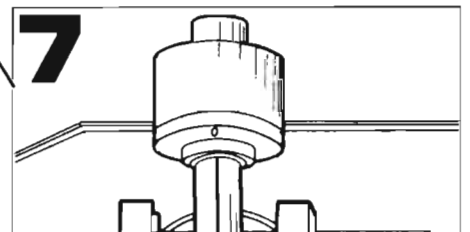
Pour protéger la pointe de lecture, tenez la cellule par l'onglet, et réglez le levier de soulèvement du bras acoustique sur **▼**. Le bras acoustique descendra.

Rotate the main weight until the tone arm is in perfect horizontal balance.



Déplacez le contrepois principal jusqu'à ce que le bras acoustique soit en équilibre horizontal parfait.

Without moving the main weight, rotate the Stylus Pressure Scale Ring only to match the "0" mark with the mark on the weight shaft.



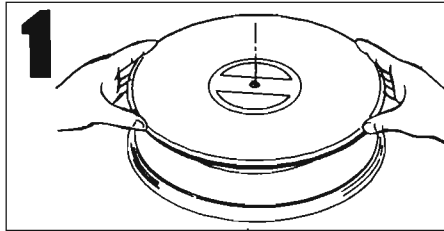
Sans modifier la position du contrepois principal, tournez la bague graduée de réglage de force d'appui pour faire correspondre le "0" gravé avec le repère porté sur l'arbre du contrepois.



Let's listen to a record

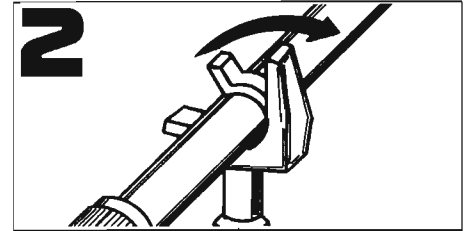
Ecoute d'un disque

Place a record on the platter.



Placez le disque sur la plateau.

Unlock the tone arm.



Débloquez le bras acoustique.

To change the stylus

The replacement stylus for the Akai AP-D2 is RS-85.
For good playback, change the stylus after approximately 400 hours of use.

Attention

1. Do not touch the tone arm or the platter and do not turn off the power under the following conditions:
 - During record playback.
 - When the platter is turning.
 - When the tone arm is moving automatically.
2. Set the amplifier's volume control to zero when lifting or lowering the tone arm during playback.
3. The auto-return system is set to return the tone arm at a specified point on the record. There should be no problem with regular sized records, but with some types of record which contain music grooves beyond this point, playback will be interrupted.

Pour changer la pointe de lecture

Pour remplacer la pointe de lecture de la AP-D2 Akai, utilisez la RS-85.

Pour obtenir une bonne reproduction, changez la pointe de lecture après approximativement 400 heures d'utilisation.

Attention

1. Ne touchez pas le bras acoustique ou le plateau et ne coupez pas l'alimentation dans les conditions suivantes:
 - Pendant une reproduction de disque.
 - Lorsque le plateau tourne.
 - Lorsque le bras acoustique se déplace automatiquement.
2. Réglez à zéro la commande de volume de l'amplificateur pour soulever ou descendre le bras acoustique pendant une reproduction.
3. Le système de retour automatique est réglé pour que le bras acoustique retourne sur son support à un point spécifié du disque. Il ne devrait y avoir aucun problème avec les disques de dimensions standard, mais avec certains types de disques dont les sillons musicaux vont au-delà de ce point, la reproduction sera interrompue.

To stop playback before the end of the record
Depress the **CUT/RETURN** button.

Pour arrêter une reproduction avant la fin du disque
Appuyez sur la touche d'arrêt/retour (**CUT/RETURN**).

To temporarily stop playback

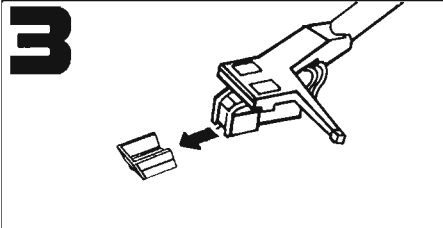
Set the **CUE** lever to **▼**. The tone arm will rise. To lower the tone arm, set the **CUE** lever to **▲**.

Pour arrêter temporairement la reproduction

Régler le levier de soulèvement du bras acoustique sur **▼**. Le bras acoustique se soulèvera.

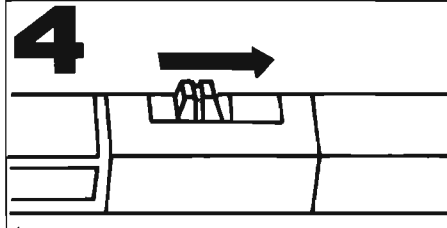
Pour descendre le bras acoustique, régler le levier de soulèvement du bras acoustique sur **▲**.

Remove the stylus guard.



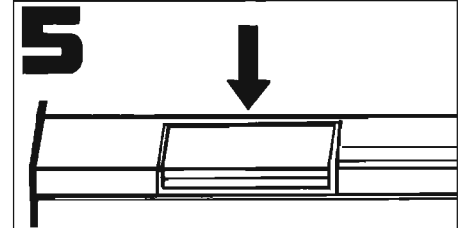
Enlevez la protection de la pointe de lecture.

Set the **CUE** lever to ∇ .



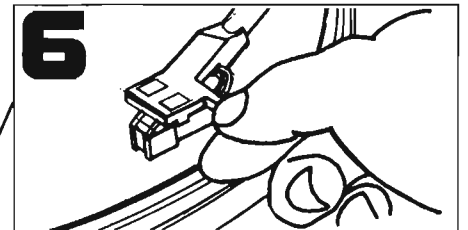
Réglez le levier de soulèvement du bras acoustique sur ∇ .

Select the record speed with the **SPEED** selector.



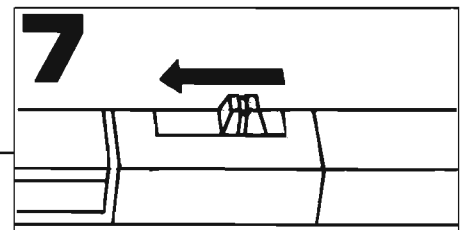
Sélectionnez la vitesse du disque avec le sélecteur de vitesse (**SPEED**).

Take hold of the head shell by the handle and manually bring the stylus over to the point where playback is to start.

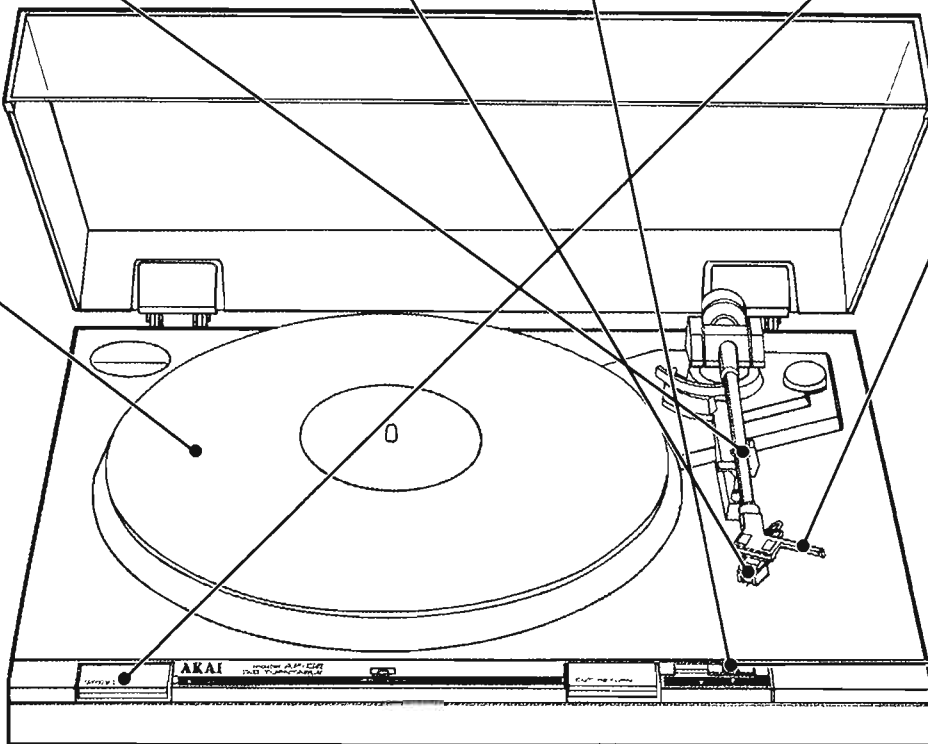


Prenez la coquille de tête par l'onglet et amenez manuellement la pointe de lecture sur le point auquel la reproduction doit commencer.

Set the **CUE** lever to ∇ and playback will start. At the end of the record, the tone arm will return to the tone arm rest and the platter will stop rotating.



Réglez le levier de soulèvement du bras acoustique sur ∇ et la reproduction commencera. A la fin du disque, le bras acoustique retournera sur son support et le plateau s'arrêtera de tourner.





Changing the cartridge

Remplacement de la cellule

Notes

Turn of all the components before changing.

• How to attach

1. Undo the screws and disconnect the lead wires.
2. Connect the lead wires to the new cartridge.
 - a Blue: Left ground (-)
 - b White: Left output (+)
 - c Green: Right ground (-)
 - d Red: Right output (+)
3. Attach the cartridge parallel to the mounting holes.
 - * In order to carry out the overhang adjustment, do not screw on the cartridge too tightly.

When you change the cartridge with a new one, you must readjust the Akai AP-D2 to suit the new cartridge in order to obtain good playback.

• Overhang adjustment

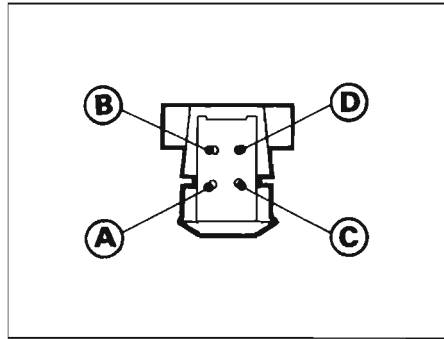
The distance between the spindle and the stylus when the tone arm is centered over the platter is known as overhang.

1. Disconnect the power cord.
 2. Place the 45 rpm adaptor (standard accessory) on the platter.
 3. Center the tone arm over the Platter
 4. Adjust the cartridge so that the Stylus position is even with the Groove for Overgang Adjustment (45 rpm adaptor's ring).
- The cartridge position can be adjusted by resetting the Cartridge Re-setting Screws in the Head Shell.

• Tone arm height adjustment

With the tone arm in the up-position, the stylus should be from 3 to 6 mm above the surface of the record. Turn the adjustment screw to change the height.

- clock wise: down
- counterclockwise: up



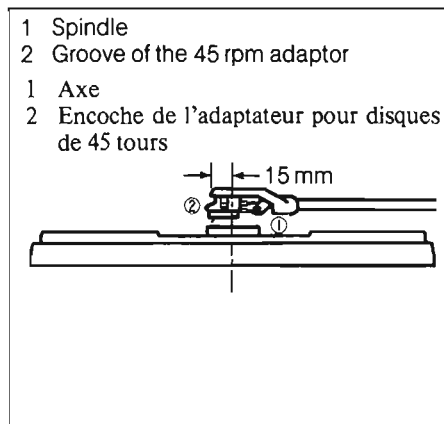
Remarques

Mettez hors circuit tous les éléments avant d'effectuer le remplacement.

• Installation

1. Dévissez les vis et déconnectez les fils d'amenée.
2. Connectez les fins d'amenée à la nouvelle cellule.
 - a Bleu: Masse sortie voie gauche (-)
 - b Blanc: Sortie voie gauche (+)
 - c Vert: Masse sortie voie droite (-)
 - d Rouge: Sortie voie droite (+)
3. Fixez la cellule parallèlement aux trous de montage.
 - * Afin de pouvoir effectuer le réglage du porte-à-faux, ne vissez pas la cellule trop fermement.

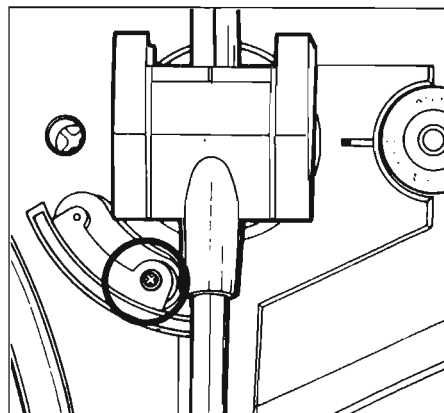
Lorsque vous remplacez la cellule, vous devez réajuster la AP-D2 Akai selon la nouvelle cellule afin d'obtenir une bonne reproduction.



• Réglage du porte-à-faux

La distance entre l'axe et la pointe de lecture lorsque le bras acoustique est centré au-dessus de plateau est appelée porte-à-faux.

1. Déconnectez le cordon secteur.
 2. Placez l'adaptateur 45 tours (accessoire standard) sur le plateau.
 3. Centrez le bras acoustique au-dessus du plateau.
 4. Ajustez la position de la cellule dans la coquille de sorte que la pointe de lecture soit à 15 mm de l'axe.
- La position de la cellule peut être réglée en ajustant les vis de la coquille.



• Réglage de la hauteur du bras acoustique

Le bras acoustique étant en position élevée, la pointe de lecture doit être à plus 3 mm au-dessus de la surface du disque. Tournez la vis de réglage afin de modifier la hauteur.

- dans le sens des aiguilles d'une montre: vers le bas
- dans le sens contraire des aiguilles d'une montre: vers le haut

● Auto-Return adjustment

If the Tone Arm does not return automatically to the Tone Arm Rest at the end of the playback, or does so during playback:

1. Leave the Power Cord connected.
2. Adjust the Auto-Return Adjustment Screw.

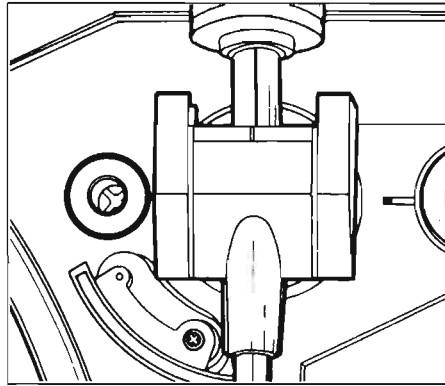
Turn clockwise: If the Tone Arm returns before the end of record.

Turn counterclockwise: If the Tone Arm does not return at the end of record.

- Do not turn the Screw counterclockwise too much.

Note

Akai recommends that a record be placed on the Platter and Auto-return operation be carried out after each adjustment to confirm that the adjustment is successful.



● Réglage de retour automatique

Si le bras de lecture ne revient pas automatiquement sur son repose-bras en fin de lecture ou y revient en cours de lecture:

1. Laisser le cordon d'alimentation branché.
2. Ajuster la vis de réglage de retour automatique.

Tourner dans le sens du mouvement des aiguilles d'une montre: Si le bras de lecture retourne avant la fin du disque.

Tourner dans le sens inverse: Si le bras de lecture ne retourne pas à la fin du disque.

- Ne pas trop tourner la vis dans le sens inverse du mouvement des aiguilles d'une montre.

Remarque

Akai recommande de placer un disque sur le plateau et d'effectuer l'opération de retour automatique après chaque réglage afin de vérifier si celui-ci est correct.



Useful facts Connaissance utiles

Keep the records and the stylus clean.

Dirty records and stylus can lead to distortion and make the stylus jump. Therefore, clean the records and the stylus with the optional accessory Cleaning Kit CK-200.

Don't bump the Akai AP-D2.

This can make the stylus jump, leading to damages to the stylus and the record.

Let's protect the speaker system from damages.

Set the amplifier's volume control to zero when lifting or lowering the tone arm during playback.

Let's be careful when you move the Akai AP-D2.

- a) Unplug the output cord and the power cord.
- b) Lock the tone arm to the tone arm rest.
- c) To protect the insulator, lift the Akai AP-D2 and then move it.
- d) When transporting the Akai AP-D2 over a long distance, place the Akai AP-D2 in its original box wrapped in its protective wrappers.

Be careful where you place the Akai AP-D2.

Away from television, speaker system, amplifier's transformer, etc. These generate signals or vibrations which can be picked up by the stylus.

Let's protect the records.

Do not touch the grooves when handling the record. Dirty grooves will produce distortions.
Store the records, standing in a well ventilated place, relatively free of dust.

Conservez propres les disques et la pointe de lecture.

Des disques et une pointe de lecture sales peuvent provoquer des distorsions et faire sauter la pointe de lecture. Il faut donc nettoyer périodiquement les disques et la pointe de lecture avec le kit de nettoyage CK-200 (accessoire en option).

Ne faites pas subir de chocs à la AP-D2 Akai.

La pointe de lecture pourrait sauter, ce qui endommagerait la pointe de lecture et le disque.

Protégez le système haut-parleurs.

Réglez à zéro la commande de volume de l'amplificateur lors du soulèvement ou de la descente du bras acoustique pendant la reproduction.

Prenez des précautions lorsque vous déplacez la AP-D2 Akai.

- a) Débranchez le cordon de sortie et le cordon secteur.
- b) Bloquez le bras acoustique sur son support.
- c) Afin de protéger l'isolateur, soulevez la AP-D2 puis déplacez-la.
- d) Pour transporter la AP-D2 Akai sur une longue distance, placez la AP-D2 dans sa boîte d'origine, enveloppée dans ses emballages de protection.

Choisissez avec soin l'emplacement de la AP-D2 Akai.

Loin d'un téléviseur, d'un système haut-parleurs, d'un transformateur pour amplificateur, etc. Ces appareils génèrent des signaux ou des vibrations qui peuvent être captés par la pointe de lecture.

Protégez les disques.

Ne touchez pas les sillons lorsque vous manipulez le disque. Des sillons sales provoqueront des distorsions.
Rangez les disques, debout, dans un endroit bien aéré, relativement à l'abri de la poussière.



Let's check first Vérifiez tout d'abord

No sound
Aucun son

- The output cord is not connected properly. It should be connected securely to the **PHONO** jacks.
- Le cordon de sortie n'est pas correctement connecté. Il doit être fermement connecté aux jacks **PHONO**.

Humming noise
Bruit de bourdonnement

- The output cord or the ground wire is not connected securely. Connect them securely.
- Le cordon de sortie ou le fil de terre n'est pas fermement connecté. Connectez-les fermement.

Distorted sound
Son déformé

Stylus jumps
La pointe de lecture saute

Scratching noise
Bruit de grattement

Howling
Ronflement

- Dirty stylus or record. Clean the stylus or record.
- Dirty or worn out stylus. Clean or replace the stylus.
- The stylus pressure and anti-skating are incorrect. Set the stylus pressure and anti-skating according to the cartridge specifications.
- Pointe de lecture ou disque sale. Nettoyez la pointe de lecture ou le disque.
- Pointe de lecture sale ou usée. Nettoyez ou remplacez la pointe de lecture.
- La pression de la pointe de lecture et le dispositif d'anti-skating sont incorrectement réglés. Réglez la pression de la pointe de lecture et le dispositif d'anti-skating conformément aux spécifications de la cellule.

- The Akai AP-D2 is too close to the speaker system. Move it away from the speaker system.
- La AP-D2 Akai est trop près du système haut-parleurs. Eloignez-la de ce système.

Should a problem persist, write down the model and serial numbers and all pertinent data regarding warranty coverage as well as a clear description of the existing trouble and contact your nearest authorized Akai Service Station or the Service Department of Akai Electric Company, Tokyo, Japan.

Au cas où un problème persiste, notez les numéros de modèles et de série, et toutes les données concernant l'étendue de la garantie, ainsi qu'une description claire du problème existant, et prenez contact avec la Station Service Akai agréée la plus proche, ou la Section Service de la Compagnie Akai Electric, Tokyo, Japan.



Specifications Spécifications

Turntable (Platter)	Aluminum Alloy Diecast
Drive System	FG Servo Direct Drive Automatic return
Motor	DC Servo Motor
Speed	33-1/3 & 45 rpm
Wow & Flutter	0.03% (W RMS)
Rumble	73 dB (DIN-B)
Tone Arm	Static Balanced Straight Type
Effective Arm Length	220 mm
Stylus Pressure/	
Adjustment range	0 to 2.5 g
Applicable Cartridge	
Weight	3 to 7 g
Arm Lifter	Oil Damped
Over Hang	15 mm
Cartridge	Moving Magnet Type (Replacement Stylus RS-85)
Output Voltage	2.5 mV (DIN)
Channel Separation	20 dB
Power Requirements	120V, 60 Hz for USA & Canada 220V, 50 Hz for Europe except UK 240V, 50 Hz for UK & Australia 110V—120V/220V—240V, 50/60 Hz switchable for other countries
Dimensions	440(W) × 96(H) × 359(D) mm (17.3 × 3.8 × 14.1 inches)
Weight	5.10 kg (11 lbs)

Standard accessory

45 rpm Adaptor 1

* For improvement purposes, design and specifications are subject to change without notice.

Plaqueau	Alliage d'aluminium coulé
Système d'entraînement	Retour automatique à servo système à entraînement direct GF
Moteur	Servo moteur CC
Vitesse	33-1/3 & 45 tpm
Pleurage et scintillement	0,03% (WRMS)
Ronflement	73 dB (DIN-B)
Bras acoustique	Type droit à équilibrage statique
Longueur effective du bras	220 mm
Gamme de réglage de la	
pression de la pointe de	
lecture	0 à 2,5 g
Poids possible de la	
cellule	3 à 7 g
Élévateur du bras	Oléo-pneumatique
Porte-à-faux	15 mm
Cellule	Type à aimant mobile (pointe de lecture de Remplacement RS-85)
Tension de sortie	2,5 mV (DIN)
Séparation de canaux	20 dB
Alimentation	120V, 60 Hz pour les Etats-Unis et le Canada 220V, 50 Hz pour l'Europe sauf le Royaume-Uni 240V, 50 Hz pour le Royaume-Uni et l'Australie 110V—120V/220V—240V, 50/60 Hz commutable pour les autres pays.
Dimensions	440(L) × 96(H) × 359(P) mm
Poids	5,10 kg

Accessoire standard

Adaptateur 45 tpm 1

* Aux fins d'amélioration, les spécifications et la conception sont sujettes à des modifications sans préavis.

Gebruiksaanwijzing

Bruksanvisning



WAARSCHUWING

Dit toestel mag ter voorkoming van brand en elektrische schokken niet aan regen of vochtigheid blootgesteld worden.

VARNING

Komponenten får inte utsättas för regn eller fuktighet, eftersom det kan medföra risk för brand eller elektrisk stöt.

Waarschuwing

Benodigde netspanning

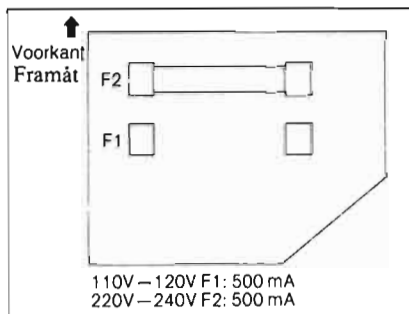
Netspanningen voor elektrische apparaten verschillen van gebied tot gebied. Controleer derhalve of deze installatie overeenkomstig de in het te gebruiken gebied geldende netspanningen ingesteld is. Raadpleeg een elektricien in geval van twijfel.
120V, 60 Hz voor USA en Canada
220V, 50 Hz voor Europa, behalve Engeland
240V, 50 Hz voor Engeland en Australië
110V – 120V/220V – 240V, 50/60 Hz instelbaar, voor andere landen.

Spanningsomzetting

Probeer deze spanningsomzetting niet zelf uit te voeren. Modellen voor Canada, USA, Europa, Engeland en Australië zijn niet met deze voorziening uitgerust. Elk toestel is afhankelijk van de bestemming in de fabriek ingesteld, maar sommige toestellen kunnen echter naar behoefte op 110V – 120V of 220 – 240V worden afgesteld.

1. Treck de stekker uit het stopcontact.
2. Verdrurai de spanningschakelaar, die zich onder het draaiplateau in de behuizing bevindt, m.b.v. een schroevendraaier zondanig, dat de markering zich onder de plaatselijke netspanning bevindt.

Dit toestel komt overeen met nr. 76/889/EEG standaard.



Varning

Effektbehov

Den elektriska spänningen för elektrisk utrustning varierar från ett område till ett annat. Kontrollera att Din apparats elektriska spänning motsvarar områdets elektriska spänning. I osäkra fall skall en kvalificerad elektriker kontaktas.
120V, 60 Hz för USA och Kanada
220V, 50 Hz för Europa med undantag av Storbritannien
240V, 50 Hz för Storbritannien och Australien
110V – 120V/220V – 240V, 50/60 Hz omställbart för andra länder.

Spänningsomställning

Ställ inte om spänningen själv. Modeller levererade till Kanada, USA, Europa, Storbritannien och Australien kan inte ställas om. Varje apparat är förinställd i fabriken enligt dess destination, men vissa apparater kan ställas om mellan 110V – 120V och 220 – 240V efter behov. Om spänningen i Din apparat kan ställas om:

1. Drag ur nätsladden.
2. Flytta på spänningsväljare, som finns placerad på höljetts undersida under skivtallriken, med hjälp av en skruvmejsel så att märker pekar mot det spänningstal som gäller där Du bor.

Denna apparat uppfyller SEN 47-1444 standard.

Vorzorgsmaatregelen

Wat je dient te weten om jezelf en de het Akai Direct-Drive draaitafelsysteem AP-D2 met automatische terugslag te beschermen.

Voorzichtig! Schokgevaar.

- Raak de stekker nooit met natte handen aan.
- Trek altijd aan de stekker en nooit aan het snoer.
- Laat de Akai AP-D2 alleen door een erkende reparateur repareren of demonteren. Onvakkundigheid kan leiden tot het aanraken van inwendige onderdelen, hetgeen in elektrische schokken kan resulteren.
- Voorkom dat kinderen voorwerpen, vooral metalen, in de Akai AP-D2 brengen.

Bescherming van de Akai AP-D2.

- Maak alleen gebruik van wisselstroom. Maak nooit gebruik van gelijkstroom.
- Controleer of het stroomverbruik van elk component de op het achterpaneel voorgeschreven waarde niet overschrijd.
- Trek de stekker uit het stopcontact en raadpleeg een dealer, indien de Akai AP-D2 in aanraking komt met water.
- Plaats de Akai AP-D2 in een goed geventileerde plek, niet in direct zonlicht.
- Plaats de draaitafel niet in de buurt van verwarmingstoestellen, ter voorkoming van beschadiging van inwendige circuits en de behuizing.
- Vermijd het gebruik van insecticidesprays in de buurt van de Akai AP-D2. Dergelijke sprays kunnen de afwerking aantasten en kunnen plotseling tot ontbranding komen.
- Gebruik geen alcohol, verfverdunner of andere chemicaliën voor het reinigen van de Akai AP-D2, daar dergelijke stoffen de afwerking kunnen aantasten.
- Plaats de Akai AP-D2 op een stevige en solide ondergrond.

Wees voorzichtig bij het transporteren van de Akai AP-D2.

- Verwijder het uitgangssnoer en het netsnoer.
- Vergrendel de toonarm aan de toonarmsteun.
- Til de Akai AP-D2 ter bescherming van de isolator op en verplaats het.
- Wanneer de Akai AP-D2 over grote afstanden wordt getransporteerd, dient de draaitafel in de originele verpakking te worden geplaatst en in beschermend materiaal te worden gewikkeld.

Lees deze gebruiksaanwijzing in zijn geheel aandachtig door ter verkrijging van de beste prestaties van de Akai AP-D2.

Deze draaitafel is niet met een netschakelaar uitgerust. Hoewel de functieschakelaar op OFF wordt gezet, wordt de draaitafel echter niet volledig van stroomtoevoer onderbroken.

Försiktighetsåtgärder

Detta bör Du veta för Din egen säkerhet och för att skydda Akais direktdrivna skivspelare AP-D2 med automatisk återgång

Var försiktig! Du kan få en elektrisk stöt.

- Rör inte själva stickkontakten med två händer.
- Drag alltid ut nätsladden genom att hålla i kontakten -ej i sladden.
- Låt endast en kvalificerad elektriker reparera och montera ihop Akai AP-D2. En icke-fackkunnig person kan röra de inre delarna och få en allvarlig elektrisk stöt.
- Låt inte barn sticka in föremål, speciellt inte metallföremål, i Akai AP-D2.

Var rädd om Din Akai AP-D2.

- Använd endast ett vanligt el-uttag. Använd inte likströmskällor.
- Kontrollera att varje komponents strömförbrukning inte överskrider den specificerade watt-förbrukningen som finns märkt på apparatens baksida.
- Om det spills vatten på Akai AP-D2, måste Du genast koppla apparaten ifrån nätet och kontakta Din återförsäljare.
- Kontrollera att Akai AP-D2 står på en välventilerad plats och att den inte står i direkt solljus.
- Ställ inte apparaten nära värmekällor (element, osv.) för att undvika skada inre kretsar och den yttre ytan.
- Använd inte insektsspray i närheten av Akai AP-D2. Detta kan skada ytbehandlingen och kan plötsligt fatta eld.
- För att inte skada ytbehandlingen, får Du inte rengöra Akai AP-D2 med alkohol, lösningsmedel för färg eller liknande kemikalier.
- Ställ Akai AP-D2 på ett jämnt, stabilt underlag.

Var försiktig när Du flyttar på Akai AP-D2.

- Drag ut utgångssladden och nätsladden.
- Lås fast tonarmen i tonarmstödet.
- För att skydda isoleringsfötterna, skall Du först lyfta upp Akai AP-D2 och sedan flytta på den.
- För längre transport, t.ex. om Du flyttar, skall Du packa ned Akai AP-D2 i dess originalförpackning i skyddsmaterialet.

För att dra full nytta från Akai AP-D2 så länge som möjligt, måste du först läsa igenom denna bruksanvisning noggrant.

Det finns ingen strömbrytare på denna skivspelare. Även fastän funktionsomkopplaren stängs av tillförs det fortfarande ström till skivspelaren.

Kenmerken

De Akai AP-D2 is een direkt-drive draaitafel, met een frequentie-generator-servo direkt-drive motor voor stabiele weergave. Gebruik de Akai AP-D2 in combinatie met de andere componenten van de Pro-serie ter verkrijging van een buitengewoon hi-fi systeem.

1. Auto-return draaitafelsysteem.
2. Uiterst gevoelige, rechte toonarm.
3. Een laag-resonantie behuizing, zodat rondzingen vermeden wordt.
4. Bediening geheel via het voorpaneel.

Inhoudsopgave

Waarschuwing	16
Voorzorgsmaatregelen	16
Kenmerken	17
Bedieningsorganen	18
Installatie	19
Aansluitingen	20
Instelling van de Akai direct-drive draaitafel AP-D2 voor buitengewone weergave	21-22
Luisteren naar een grammofoonplaat	23-24
Vervanging van het element	25-26
Algemene informatie	26
Kontroleer onderstaande Punten	27
Technische Gegevens	28

Eigenschappen

Akai AP-D2 är en direktdriven skivspelare med en FG servomotor för direktdrift som försäkrar mycket stabil skivspelning. Använd Akai AP-D2 tillsammans med de andra komponenterna i Akai Pro serien för att få ett HiFi system av första klass.

1. Skivspelaren har helautomatisk återgång av tonarmen.
2. Rak tonarm med hög känslighet.
3. Höljet har tillverkats med tanke på låg resonans vilket är effektivt mot howling.
4. Skivspelaren manövreras från frampanelen.

Innehållsförteckning

Varning	16
Försiktighetsåtgärder	16
Egenskaper	17
Manöverorgen	18
Montering av skivspelaren	19
Anslutningar	20
Ställ in Din direktdrivna Akai skivspelare AP-D2 för bra skivavspelning	21-22
Skivlyssning	23-24
Byte av pickup-elementet	25-26
Praktiska tips	26
Kontrollera först	27
Specifikationer	28



Bedieningsorganen Manöverorgan

- * De kopschelp van de AP-D2 kan niet worden Verwijderd.
- * Huvudskalet på AP-D2 kan inte tas av.

Plateumat

Leg de grammofoonplaat op de plateumat.

Gummibelägg

Placera skivan på gummibelägget.

Stofkap

Om het draaiplateau vrij van stof te houden.

Skyddslock

Skyddar mot damm.

45-toeren adapterhouder

Scharnier

Hållare för 45 varvs adapter

Toerental-keuzeschakelaar (SPEED)

Gebruik deze schakelaar voor instelling van het toerental.

Varvtalsväljare (SPEED)

För inställning av varvtalet.

SERVO LOCK-indikator

Geeft aan, dat het draaiplateau op juiste toeren draait.

Servolasindikator (SERVO LOCK)

Indikerar att skivtallriken roterar med rätt varvtal

Onderbreking/terugslag-toets (CUT/RETURN)

Gebruik deze toets voor het automatisch opheffen van de toonarm en om de toonarm naar de toonarmsteun terug te brengen. Schaaling voor de naaldruk.

Avstängnings-/återgångstangen (CUT/RETURN)

För automatisk lyft av tonarmen och återgång till tonarmsstödet. Skala för nålanliggningskraften

Toonarmsteun met klem

De toonarm rust hier op.

Tonarmsstöd med klämma

Håller fast tonarmen.

Kontragewicht

Motvikt

Naalddrukregelaar

Graderingsring för nålanliggningskraften

Dwarsdrukkompensator (ANTI SKATING)

Justering för antiskating (ANTI SKATING)

Toonarm

Element/kopschelp

Het element neemt de informatie van de grammofoonplaat op en zet deze informatie om in een elektrische signaal.

Toonarm

Pickup/huvudskalet

Fångar upp informationen i skivspåren och omvandlar denna till elektriska signaler.

Toonarmlift-regelaar (CUE)

Gebruik deze regelaar voor het heffen of dalen van de toonarm.

Cueing-tangent (CUE)

Används för att lyfta upp och sänka ned tonarmen.

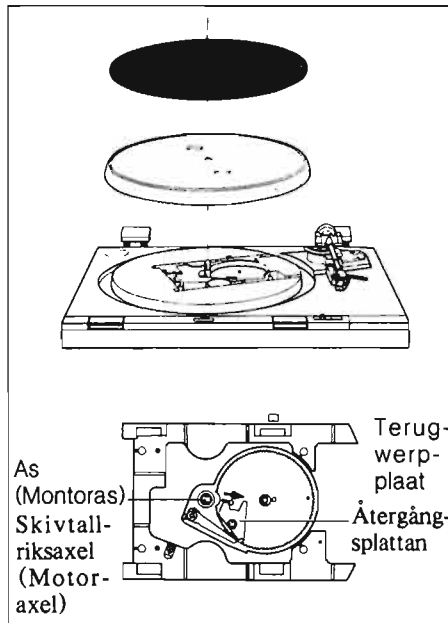


Installatie

Montering av skivspelaren

Draaiplateau

1. Verwijder de 3 transportschroeven.
2. Haal de aandrijfriem met je vingers door een van de openingen in het draaiplateau rond de windas en in de gleuf.
3. Leg de rubber plateaumat op het draaiplateau, de kant met de AKAI markering naar boven gericht.

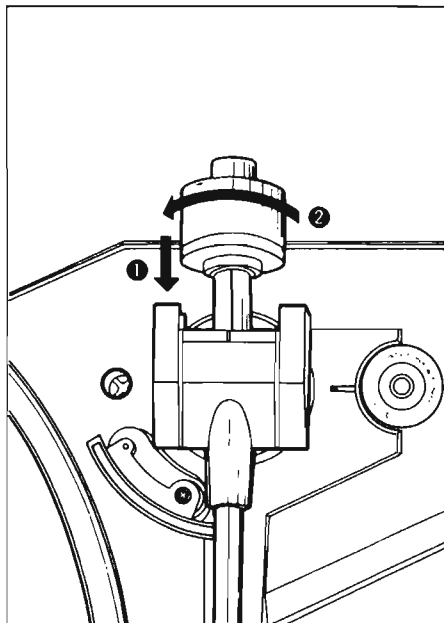


Skivtallriken

1. Skruva ur de 3 transportskruvarna.
2. Stick ned ett finger genom ett av hålen och drag drivremmen utåt upp över kapslanet och ned i remledaren.
3. Lägg gummibelägget på skivtallriken så att sidan med AKAI-märket vänder uppåt.

Toonarm

Breng het kontragewicht naar het uiteinde van de toonarm, met de naalddrukregelaar naar voren, en draai het linksom zoals van voren gezien.



Tonarm

Sätt på motvikten på bakändan av tonarmen och vrid moturs med graderingsringen för nålanliggningskraften sett framifrån.

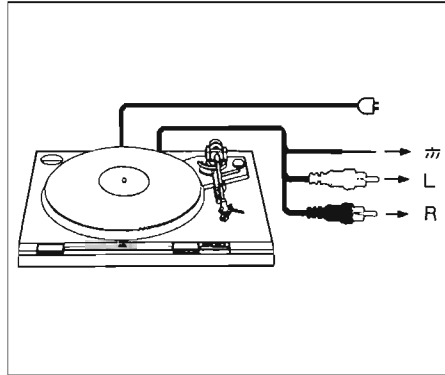


Aansluitingen Anslutningar

Alvorens de aansluitingen tot stand te brengen
Sluit het netsnoer het laatst aan.

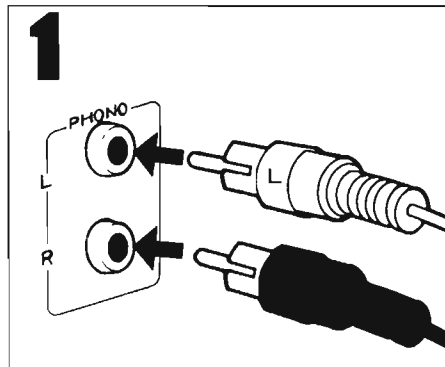
Innan anslutning
Anslut inte nätsladden ännu.

Kontroleer of de rode pinstekker is aangesloten op de rechter (R-rood) aansluiting en de witte pinstekket op de linker (L-wit) aansluiting.



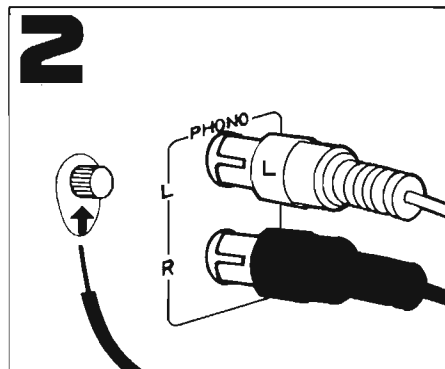
Kontrollera att den röda PIN-kontakten anslutes till det högra (R-röda) uttaget och att den vita PIN-kontakten anslutes till det vänstra (L-vita) uttaget.

Sluit het uitgangssnoer van de Akai AP-D2 aan op de draaitafelaansluitingen (PHONO) van de versterker.



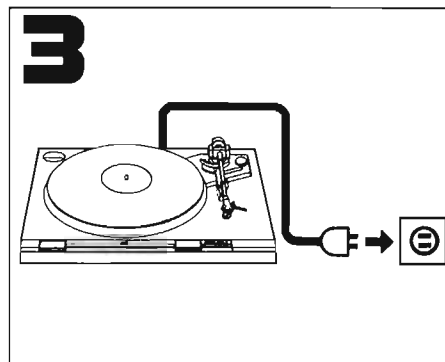
Anslut Akai AP-D2's utgångssladdar till förstärkarens skivspelaruttag (PHONO).

Sluit de aardedraad van de Akai AP-D2 aan op de aardeaansluiting (⏏) van de versterker.



Anslut Akai AP-D2's jordningssladd till förstärkarens jordanslutning (⏏).

Nadat alle aansluitingen tot stand zijn gebracht
Sluit het netsnoer aan op een stopkontakt.



Efter att Du har utfört alla anslutningarna
Anslut nätsladden till ett el-uttag.

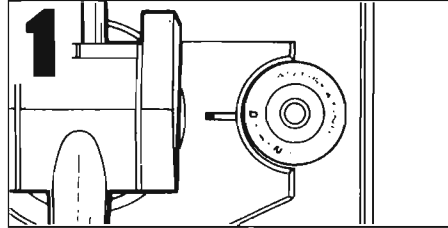


Instelling van de Akai direct-drive draaitafel AP-D2 voor Ställ in Din direktdrivna Akai skivspelare AP-D2 för bra

De naalddruk dient juist te zijn ingesteld, zodat de naald de groeven van de plaat juist kan sporen. Onjuist ingestelde naalddruk kan leiden tot vervormd geluid en beschadiging aan de plaat.

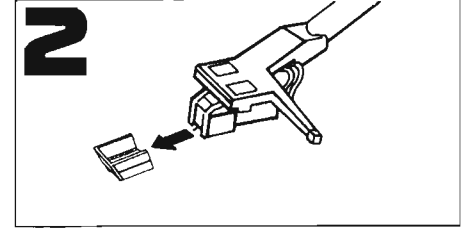
För att pickup-nålen skall följa skivspåren så exakt som möjligt, är det viktigt att Du ställer in nålanlignningskraften rätt. Ifall nålanlignningskraften är fel inställd kan detta skada Dina skivor förutom att ljudet kommer att förvrängas.

Zet de dwarsdruk-kompensator op "0".



Ställ anti-skating kontrollen på "0".

Verwijder de naaldbeschermer.



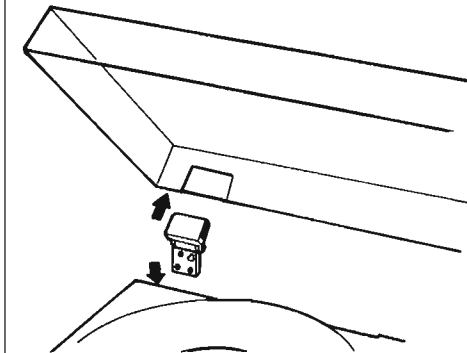
Tag bort nålskyddet.

Stofkap

Bevestig de stofkap nadat de naalddruk is ingesteld.

Skyddsloket

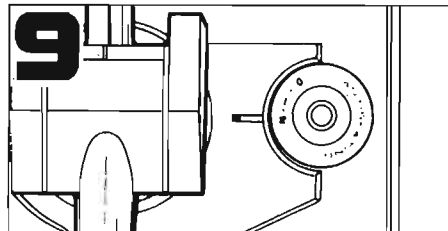
Sätt på skyddsloket efter att Du har ställt in nålanlignningskraften.



De handelingen voor instelling van de naalddruk zijn hiermee voltooid. Dezelfde handelingen dienen opnieuw te worden uitgevoerd bij het vervangen van het bijgeleverde element.

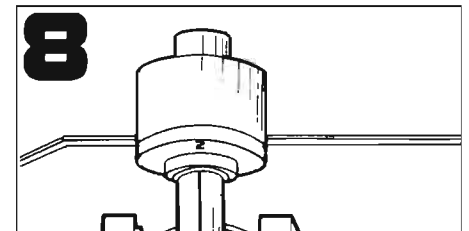
Nålanlignningskraften är nu rätt inställd. Om du senare hän byter pickup-element, måste Du upprepa denna inställning igen.

Stel de dwarsdruk-kompensator in op "2".



Stellen Sie den Anti-Gleitregler auf "2".

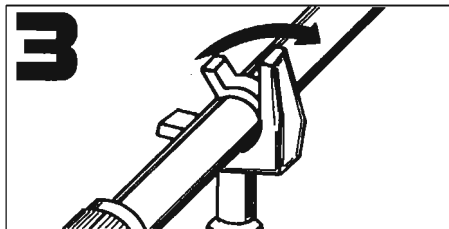
Vergrendel de toonarm en draai het contra-gewicht naar links, zoals van voren gezien (de schaalring voor de naalddruk verdraait tezamen met het gewicht), totdat de "2"-indikatie op de schaalring op één lijn is gebracht met de as.



Lås fast tonarmen och skruva motvikten moturs, sett framifrån (skalan för nålanlignningskraften ändras samtidigt), tills en indikering av nålanlignningskraften på "2" pekar mot märket på axeln.

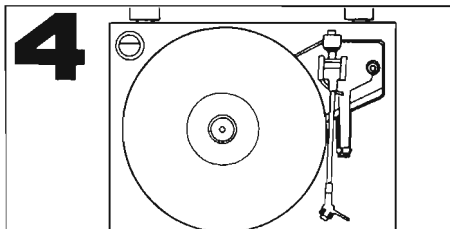
buitengewone weergabe skivavspeling

Ontgrendel de toonarm.



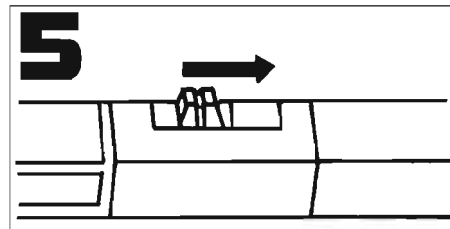
Frigör tonarmen.

Breng de toonarm halverwege tussen de toonarmsteun en de rand van de plaat.



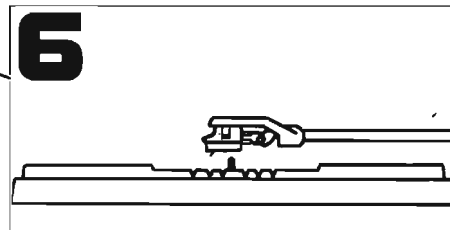
För ut tonarmen från tonarmsstödet så att den är halvvägs mellan detta och skivans kant.

Houd het element ter bescherming van de naald bij de handgreep vast en zet de toonarmlift-regelaar op ∇ . De toonarm zakt.



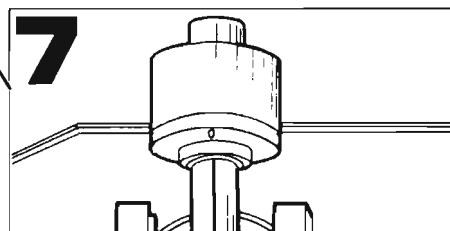
Håll i pickupelementets spak för att skydda pickupnålen. Ställ tonarmslyftet på ∇ . Därmed sänks tonarmen ned.

Verdraai het kontra-gewicht, totdat de toonarm horizontaal in evenwicht is gebracht.



Flytta på huvudvikten tills tonarmen ligger i perfekt horisontal balans.

Zet de "0"-balans van de naalddrukregelaar gelijk met de markering op de toonarmas zonder het kontragewicht te verdraaien.



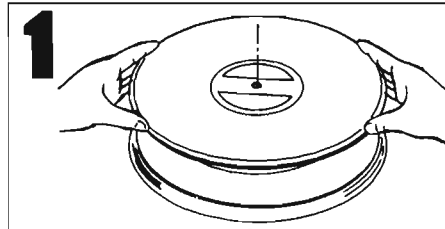
Rotera graderingsringen för nålanliggning skraften, utan att flytta på motvikten, tills "0"-markeringen träffar markören på viktaxeln.



Luisteren naar een grammofonplaat

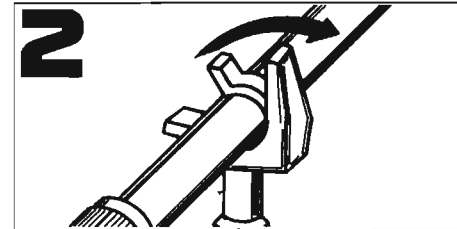
Skivlyssning

Leg een plaat op het draaiplateau.



Lägg en skiva på skivtallriken.

Ontgrendel de toonarm.



Frigör tonarmen.

Om de naald te vervangen

De vervangingsnaald voor de Akai AP-D2 is de RS-85. Vervang de naald na ongeveer 400 speeluren ter verkrijging van de beste weergavekwaliteit.

Belangrijk

1. Voorkom dat de netspanning wordt uitgeschakeld, of dat het draaiplateau of de toonarm wordt aangeraakt onder de volgende omstandigheden:
 - Tijdens weergave.
 - Wanneer het draaiplateau draait.
 - Wanneer de toonarm zich automatisch verplaatst.
2. Zet de volumeregelaar van de versterker op minimum bij bediening van de toonarmlift-regelaar tijdens weergave.
3. Het automatische terugslagmechanisme is zodanig ingesteld, dat de toonarm bij een bepaald punt op de plaat wordt teruggebracht. De platen met normale afmetingen zouden er geen problemen moeten optreden, maar bij enkele soorten platen, die muziekgroeven voorbij dit punt bevatten, wordt de weergave onderbroken.

Byte av pickup

När Du byter pickup på Akai AP-D2 skall Du använda modell RS-85. För att alltid erhålla bästa möjliga avspelningsresultat bör Du byta pickup efter varje 400 speltimmar.

Observera

1. Rör inte tonarmen eller skivtallriken och slå inte av strömmen under något av följande förhållanden:
 - Under skivavspelnig.
 - När skivtallriken roterar.
 - När tonarmen flyttar sig automatiskt.
2. Skruva helt ned för förstärkarens ljudstyrkekontroll när Du lyfter upp eller sänker ned tonarmen under avspelnig.
3. Det automatiska återgångssystemet för tonarmen är gjort så att det för tillbaka tonarmen till tonarmsstödet när tonarmen har nått en bestämd punkt på skivan. Med vanliga skivor bör det därför inte vara några problem alls, men med vissa skivor, vars spår fortsätter förbi denna punkt kommer tonarmen att återgå till tonarmsstödet innan skivans slut.

Om de weergave te stoppen voordat het einde bereikt wordt

Druk de onderbreking/terugslag-toets (CUT/RETURN) in.

Avbrytning av skivavspelnig innan skivans slut
Tryck in avstängning-/återgångs-tangenten (CUT/RETURN).

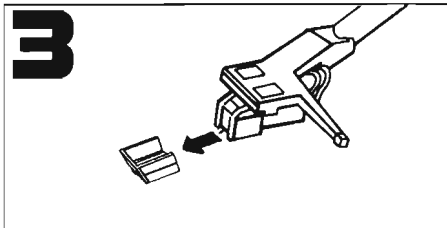
Om de weergave tijdelijk te onderbreken

Zet de toonarmlift-regelaar op ∇ . De toonarm wordt geheven.
Zet de toonarmlift-regelaar op \blacktriangledown . De toonarm daalt.

Temporärt stopp av avspelnigen

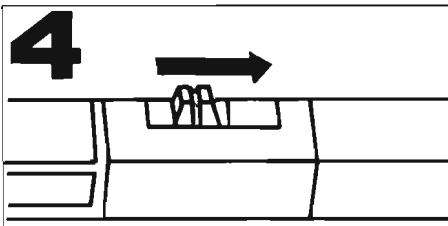
Ställ tonarmslyftarspaken till ∇ . Därmed lyfts tonarmen upp.
För att sänka ned tonarmen igen skall Du ställa tillbaka tonarmslyftarspaken till \blacktriangledown .

Verwijder de naaldbeschermer.



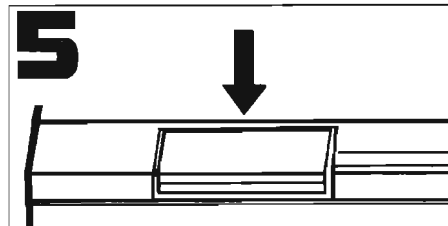
Tag bort pickup-nålens skydd.

Zet de toonarmlift-regelaar op ▼ .



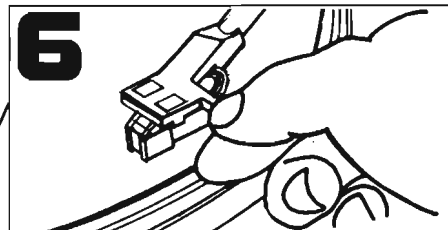
Ställ tonarmslyftet till ▼ .

Stel het toerental van de plaat in m.b.v. de toerental-keuzeschakelaar (SPEED).



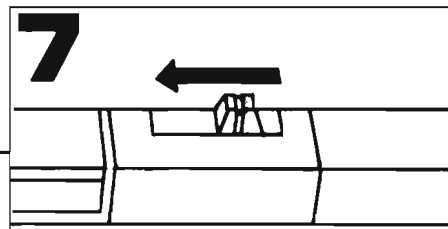
Ställ in varvtalet med varvtalsväljaren (SPEED).

Neem de kopschelp bij de handgreep vast en breng de toonarm naar de positie, vanwaar weergave gewenst is.

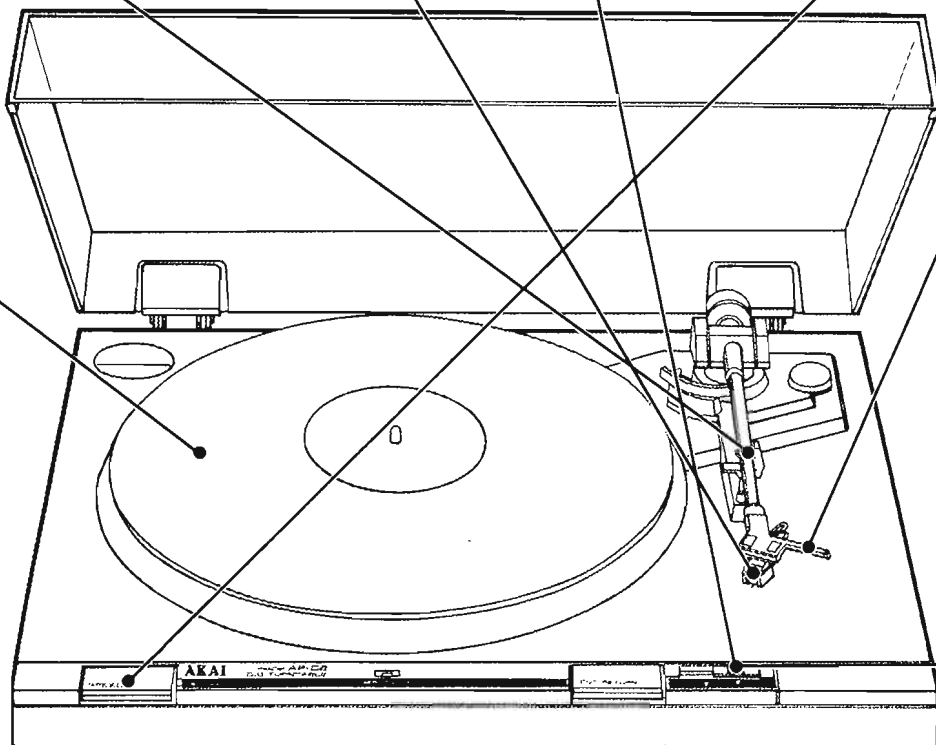


Håll i huvudskalets spak och för pickupnålen över skivan till den punkt där Du vill starta skivspelningen.

Zet de toonarmlift-regelaar op ▼ , waarna de weergave begint. De toonarm keert automatisch terug naar de toonarmsteun en het draaiplateau komt tot stilstand, wanneer het einde van de plaat bereikt wordt.



Ställ tonarmslyftet till ▼ varefter skivspelningen automatiskt sätter igång. Vid skivans slut återgår tonarmen automatiskt till tonarmsstödet och skivtallriken slutar totera.





Vervanging van het element

Byte av pickup-elementet

Opmerkingen

Schakel de netspanning uit alvorens het element te vervangen.

• Bevestiging

1. Draai de schroeven los en verwijder de invoerdraden.
2. Sluit de invoerdraden op het nieuwe element aan.
 - a Blauw: linker aarde (-)
 - b Wit: linker uitgang (+)
 - c Groen: rechter aarde (-)
 - d Rood: rechter uitgang (+)
3. Bevestig het element parallel aan de montagegaten.
 - * Schroef het element niet te vast, daar instelling van de overhang tevens uitgevoerd dient te worden.

Wanneer het element voor een nieuwe vervanging wordt, dient ter verkrijging van goede weergavekwaliteit de Akai AP-D2 overeenkomstig het nieuwe ingesteld te worden.

• Instelling van de overhang

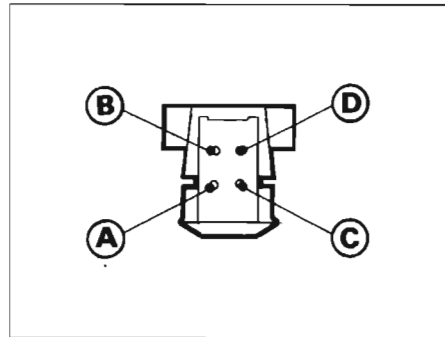
De afstand tussen de middenas en de naald wanneer de toonarm boven het draaiplateau gecentreerd is, wordt overhang genoemd.

1. Trek de stekker uit het stopcontact.
 2. Leg de 45-toerenadapter (standaardtoebehør) op de middenas.
 3. Breng de toonarm boven het midden van het draaiplateau.
 4. Stel de positie van het element zodanig in de kopschelp in, dat de naaldpunt zich 15 mm van de middenas bevindt.
- De positie van het element kan worden ingesteld, door de schroeven in de kopschelp los te draaien.

• Instelling van de toonarmhogte

De naald dient zich meer dan 3 mm boven het oppervlak van de plaat te bevinden, wanneer de toonarm geheven is. Verdraai de instelschroef om de hoogte te veranderen.

rechtsom: omlaag
linksom: omhoog



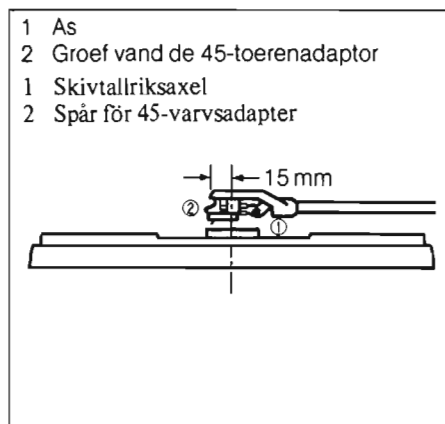
Observera

Stäng av alla komponenterna innan Du byter pickup-element.

• Hur Du sätter på elementet

1. Skruva loss skruvarna och koppla ur anslutningskablarna.
2. Anslut anslutningskablarna till det nya pickup-elementet.
 - a Blå: Vänster jord (-)
 - b Vit: Vänster ut (+)
 - c Grön: Höger jord (-)
 - d Röd: Höger ut (+)
3. Sätt på pickup-elementet så att det är parallellt med skruvhålen.
 - * Skruva inte i elementet för hårt eftersom justering av utliggningen måste göras.

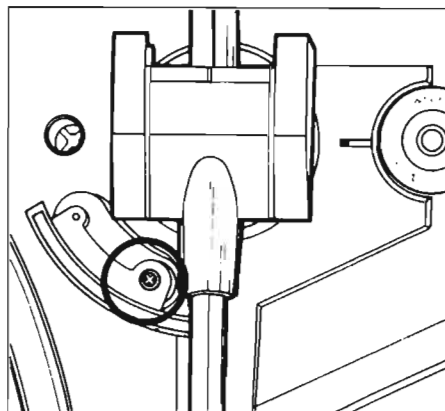
När Du byter ut pickup-elementet måste Du ställa in Akai AP-D2 igen så att Du erhåller så bra avspelningsresultat som möjligt med det nya elementet.



• Justering av utliggningen

Avståndet mellan skivtallriksaxeln och pickup-nålen när tonarmen ligger i centrum över skivtallriken betecknas som utliggning.

1. Drag ur nätsladden.
 2. Läg 45 varvsadaptern (standard tillbehør) på skivtallriken.
 3. För över tonarmen så att pickupnålen är rakt ovanför skivtallriksaxeln.
 4. Justera pickup-elementets placering i huvudskalet så att pickupnålen är 15 mm från skivtallriksaxeln.
- Pickup-elementet kan justeras genom att lossa på skruvarna som håller fast det i huvudskalet.



• Justering av tonarmshöjden

När tonarmen är i upplyft läge, bör tonarmen befinna sig minst 3 mm ovanför skivytan. Skruva på justeringsskruvarna för att ställa in tonarmens höjd.

Medurs: Ner
Moturs: Upp

● Afstelling van de auto-terugkeerfunctie

Wanneer de toonarm op het einde van de plaat niet automatisch naar de toonarmsteun terugkeert of terugkeert tijdens weergave:

1. Wordt de netspanningskabel niet verwijderd.
2. Wordt de afstelschroef voor auto-terugkeer afgesteld.
Naar rechts: indien de toonarm terugkeert voordat het einde van de plaat bereikt wordt.
Naar links: indien de toonarm bij het einde van de plaat niet terugkeert.

- Draai de schroef niet te ver naar links.

Opmerking

Het is aanbevelenswaardig om een plaat op het draaiplateau te leggen en de auto-terugkeerfunctie in te schakelen nadat elke instelling is uitgevoerd om te controleren of de instellingen succesvol zijn uitgevoerd.



Algemene informatie Praktische tips

Houd de plaat en de naald schoon.

Vuile platen en naalden kunnen aanleiding tot vervorming zijn en de naald doen overspringen. Reinig daarom de naald en de platen met het los verkrijgbare reinigingssetje CK-200.

Vermijd schokken en trillingen.

Voorkom dat tegen de Akai AP-D2 gestoot wordt, daar hierdoor de naald kan overspringen en de plaat en de naald kan beschadigen.

Voorkom beschadiging aan het luidsprekersysteem

Stel de volume-regelaar van de versterker op minimum bij gebruik van de toonarmlift-regelaar tijdens weergave.

Transporteren van de Akai AP-D2.

- a) Verwijder het netsnoer en het uitgangssnoer.
- b) Vergrendel de toonarm aan de toonarmsteun.
- c) Til de Akai AP-D2 op een verplaats deze ter bescherming van de isolator.
- d) Wikkel de Akai AP-D2 in beschermend materiaal en leg het in de originele verpakking wanneer de draaitafel over grote afstanden verplaatst wordt.

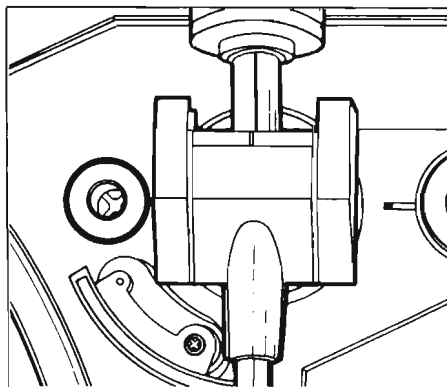
Ga zorgvuldig te werk bij het plaatsen van de Akai AP-D2.

Plaats de draaitafel niet in de buurt van een televisietoestel, een luidsprekersysteem, de transformator van een versterker, enz. Dergelijke uitrustingen wekken signalen of trillingen op, die door de naald geabsorbeerd kunnen worden.

Bescherming van de grammofoonplaten.

Raak tijdens het hanteren van de platen de groeven niet aan. Vuile groeven produceren vervormd geluid.

Zet de platen rechtop in een goed geventileerde plaats, en betrekkelijk vrij van stof.



● Justering av den automatiska return

Om tonarmen inte återgår automatiskt till tonarmsstödet vid avspelningens slut, eller återgår under avspelning:

1. Låt nötsladden vara ansluten.
2. Justera justeringsskruven för den automatiska returen.

Vrid medurs: ifall tonarmen återgå innan skivans slut.

Vrid moturs: ifall tonarmen inte går tillbaka vid skivans slut.

- Skruva inte skruven för mycket moturs.

Anmärkning

Från Akais sida rekommenderas det att en skiva läggs på skivtallriken och att den automatiska återgången kontrolleras efter varje justeringstillfälle för att bekräfta att justeringen har gjorts som önskas.

Håll Dina skivor och pickup-nålen rena.

Smutsiga skivor och en smutsig pickup-nål kan orsaka att pickup-nålen hoppar över vissa avsnitt på skivan. Rengör Dina skivor och pickup-nålen med Akais rengöringsutrustning CK-200 (extra tillbehör).

Utsätt inte Akai AP-D2 för stötar.

Detta kan resultera i att pickup-nålen hoppar till, vilket både kan skada nålen och skivan.

Skydda högtalarsystemet mot skador.

När Du sänker ned pickup-nålen eller lyfter upp den under avspelning av en skiva bör Du först skruva helt ned för förstärkarens ljudstyrkek kontroll.

Var försiktig när Du flyttar på Akai AP-D2.

- a) Drag ut nätsladden och utgångssladden.
- b) Lås fast tonarmen i tonarmsstödet.
- c) För att inte skada isoleringsfötterna, måste du först lyfta upp Akai AP-D2 och därefter flytta den.
- d) Vid transport av Akai AP-D2 måste du packa ned Akai AP-D2 i originalförpackningen igen inlindad i skyddsmaterialet.

Placeringen av Akai AP-D2 är viktig.

Placera inte skivspelaren nära en TV, högtalarsystemet, förstärkarens transformator, osv. Dessa apparater alstrar signaler och vibrationer som kan fångas upp av pickup-nålen.

Var rädd om Dina skivor.

Rör inte själva skivspåren när Du håller en skiva. Smutsiga skivspår kan resultera i ljudförvrängningar.

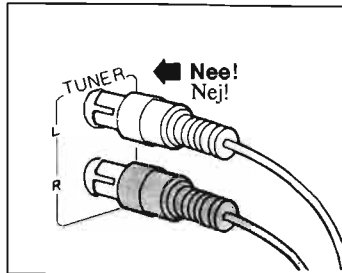
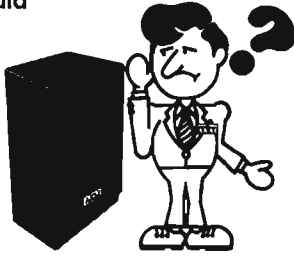
Förvara Dina skivor stående, på en välventilerad plats, som inte är för mycket utsatt för damm.



Kontroleer onderstaande punten

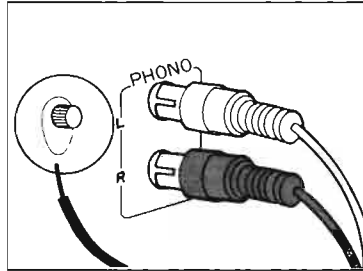
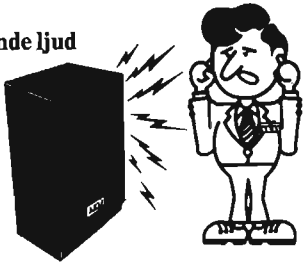
Kontrollera först

Geen geluid
Inget ljud



- Het uitgangssnoer is niet juist aangesloten. Sluit het uitgangssnoer stevig op de draaitafelaansluitingen aan.
- Utgångssladden är inte rätt ansluten. Anslut sladden ordentligt till skivspelartuggen (**PHONO**).

Brom
Brummande ljud



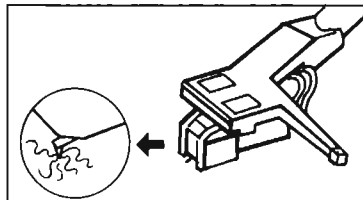
- Het uitgangssnoer of de aardedraad is niet stevig aangesloten. Sluit beide soneren stevig aan.
- Utgångssladden eller jordningsladden är inte ordentligt ansluten. Anslut sladden (sladdarna) ordentligt.

Vervormd geluid
Förvrängt ljud

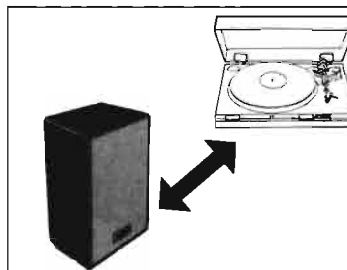
Overspringen van de naald
Pickup-nålen hoppar över vissa avsnitt

Krassen
Raspande ljud

Rondzingen
Howling (tjutande ljud)



- Vuile naald of plaat. Reinig of vervang de naald.
- Vuile of versleten naald. Reinig of vervang de naald.
- De naalddruk en de dwarsdruk zijn onjuist ingesteld. Stel de naalddruk en de dwarsdruk over eenkomstig de voor het element voorgeschreven waarden in.
- Pickupnålen är smutsig eller utsliten. Rengör eller byt ut pickupnålen.
- Pickup-nålen eller skivan är smutsig. Gör rent nålen eller skivan.
- Nålanliggningskraften och anti-skating är fel inställda. Ställ in nålanliggningskraften och anti-skating i överensstämmelse med anvisningarna för pickupelementet.



- De Akai AP-D2 staat te dicht bij het luidsprekersysteem. Vergroot de afstand tussen de luidsprekers en de draaitafel.
- Akai AP-D2 står för nära högtalarna. Flytta den längre bort från högtalarna.

Als een probleem niet kan worden verholpen, schrijft u het model, serienummer en alle relevante data die betrekking hebben op de garantie op, en verder een duidelijke beschrijving van de symptomen en u stelt zich in verbinding met uw dichtsbijzijnde erkende Akai dealer of met de Service Department. Akai Electric Company, Tokyo, Japan.

Om det skulle uppstå problem med Din apparat, skall modell- och serienumren och alla tillhörande data beträffande garantitäckningen skrivas ned tillsammans med en klar beskrivning av problemet ifråga, och närmaste auktoriserade Akai serviceverkstad eller Serviceavdelningen hos Akai Electric Company, Tokyo, Japan kontaktas.



Technische Gegevens Specificaties

Draaiplateau	Spuitgegoten aluminiumlegering
Aandrijfsysteem	Frekwentiegeneratorservo, direct-drive met automatische terugslag
Motor	Gelijkstroomservo-motor
Toeren	33-1/3 en 45 tpm
Wow & flutter	0,03% (WRMS)
Rumble	73 dB (DIN-B)
Toonarm	Statisch-gebalanceerd, recht
Effectieve toonarm lengte ..	220 mm
Naalddruk regelaarbereik ..	0 tot 2,5 g
Toepasbaar elementgewicht	3 tot 7 g
Toonarmlift	Olie-gedempd
Overhang	15 mm
Element	Magnetisch element (vervangingsnaald RS-85)
Uitgangsspanning	2,5 mV (DIN)
Kanaalscheiding	20 dB
Spanningsvereisten	120V, 60 Hz voor de V.S. en Canada 220V, 50 Hz voor Europa, behalve Engeland 240V, 50 Hz voor Engeland en Australië 110V—120V/220V—240V, 50/60 Hz instelbaar voor andere landen
Afmetingen	440(B) × 96(H) × 359(D) mm
Gewicht	3,4 kg

Standaardtoebehoren

45 tpm Adaptor

1

* Veranderingen in technische gegevens en ontwerp onder voorbehoud.

Skivtallrik	formgijuten aluminiumlegering
Drivsystem	Likströmsservo, direkt driven, automatisch återgång
Motor	Likströms servomotor
Varvtal	33-1/3 & 45 varv/min
Svaj	0,03% (WRMS)
Rumble	73 dB (DIN-B)
Tonarm	Statisk balanserad, rak tonarm
Effektiv tonarmslängd	220 mm
Variationsvidden för justering av nålanliggningskraften ..	0 till 2,5 g
Tillämplig pickupelementsvikt	3 till 7 g
Tonarmslyft	Oljedämpat
Utligning	15 mm
Pickup-element	Rörlig mag (pickup-nål RS-85)
Uteffektspänning	2,5 mV (DIN)
Kanalseparation	20 dB
Effektbehov	120V, 60 Hz i USA & Kanada 220V, 50 Hz i Europa med undantag as Storbritannien 240V, 50 Hz för Storbritannien och Australien 110V—120V/220V—240V, 50/60 Hz omställbart för andra länder
Yttermått	440(B) × 96(H) × 359(D) mm
Nettovikt	5,10 kg

Standard tillbehör

45 varvsadapter

1

* Ur förbättringssyfte förbehålles rätt till ändring av specificationer och utförande utan föregående meddelande.

Bedienungsanleitung

Manual del usuario



ACHTUNG

Wegen Brandgefahr und Möglichkeit eines elektrischen Schlages, muß das Gerät vor Feuchtigkeit geschützt werden.

ADVERTENCIA

Para evitar incendios o descargas eléctricas, no exponga este aparato ni a la lluvia ni a la humedad.

Achtung

Stromversorgung

Die Stromspannungsverhältnisse für elektrische Geräte sind gebietsweise unterschiedlich.

Bitte stellen Sie sicher, daß Ihr Gerät auf die in Ihrem Wohngebiet herrschende Netzspannung und -frequenz eingestellt ist.

Falls irgendwelche Zweifel bestehen, wenden Sie sich an einen Elektro-Fachmann.

120V, 60 Hz für USA und Kanada

220V, 50 Hz für Europa außer Großbritannien

240V, 50 Hz für Großbritannien und Australien

110V—120V/220V—240V, 50/60 Hz umschaltbar für andere Länder.

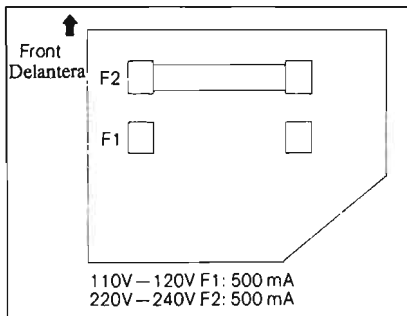
Spannungsumstellung

Versuchen Sie nicht, die Spannungsumstellung selbst vorzunehmen.

Die für Kanada, USA, Europa einschließlich Großbritannien und für Australien vorgesehenen Modelle besitzen diese Einrichtung nicht. Diese Geräte werden werkseitig auf die jeweilige Spannung im Bestimmungsland voreingestellt. Einige Modelle können nach Bedarf zwischen 110V—120V und 220V—240V umgestellt werden. Wenn Ihr Gerät für eine Spannungsumstellung vorgesehen ist:

1. Netzkabel herausziehen.
2. Verschieben Sie den Spannungswähler am Gehäuse unter dem Plattenteller mit einem Schraubenzieher so, daß sich die Markierung unter der Spannung Ihres Gebietes befindet.

Dieses Gerät entspricht der EG-Norm 76/889.



Advertencia

Requerimientos de corriente

Los requerimientos de corriente para equipos eléctricos difieren de región en región. Asegúrese de que se aparato se ajuste a los requerimientos de corriente de su región.

En caso de duda, consulte con un electricista calificado.

120V, 60 Hz para Estados Unidos y Canadá

220V, 50 Hz para Europa excepto Gran Bretaña

240V, 50 Hz para Gran Bretaña y Australia

110V—120V/220V—240V, 50/60 Hz conmutable internamente para otros países.

Conversion de voltaje

No intente hacer esta conversión usted mismo.

Los modelos para Canadá, Estados Unidos, Europa, Gran Bretaña y Australia no están equipados con este dispositivo. Cada aparato es preajustado en fábrica de acuerdo con su destinación, pero algunos de éstos pueden ser ajustados a 110V—120V o 220V—240V según como se requiera. Si el voltaje de su aparato puede ser ajustado:

1. Desconecte el cable de alimentación.
2. Mueva el selector de voltaje colocado en el gabinete, bajo el plato, con un destornillador de modo que la marca coincida con el voltaje de su área.

Vorsichtsmaßnahmen

Was Sie zu Ihrem eigenen Schutz und zum Schutz des Akai Plattenspieler-Systems AP-D2 mit Direktantrieb wissen sollten.

Vorsicht vor elektrischen Schlägen!

- Den Stecker nie mit nassen Händen berühren.
- Beim Herausziehen stets am Stecker und nicht am Kabel halten.
- Den Akai AP-D2 nur von qualifiziertem Fachpersonal reparieren und zusammenbauen lassen. Eine Laie, der die inneren Teile berührt, kann einen schweren elektrischen Schlag erleiden.
- Kindern verbieten, irgendwelche Gegenstände, vor allem Metallgegenstände, in den Akai AP-D2 zu stecken.

Schutz des Akai AP-D2

- Das Gerät nur mit Haushalt-Netzstrom betreiben. Nie Gleichstrom verwenden.
- Darauf achten, daß die Leistungsaufnahme der einzelnen Komponenten die an der Rückseite angegebenen Wattzahl nicht überschreitet.
- Falls Wasser auf den Akai AP-D2 verspritzt, sofort das Netzkabel ziehen und den Händler kontaktieren.
- Den Akai AP-D2 nicht in direkter Sonneneinstrahlung und an einem gut belüfteten Ort aufstellen.
- Den Akai AP-D2 von Hitzequellen (z. B. Öfen usw.) fernhalten, damit die internen Schaltungen und die Geräteoberfläche nicht beschädigt werden.
- Den Gebrauch von Insektensprays in der Nähe des Akai AP-D2 vermeiden. Solche Sprays können sich plötzlich entzünden und das Gerät beschädigen.
- Um eine Beschädigung der Geräteoberfläche zu vermeiden, für die Reinigung des Akai AP-D2 niemals Alkohol, Farbverdünner oder ähnlich Chemikalien verwenden.
- Den Akai AP-D2 auf einer ebenen und soliden Oberfläche aufstellen.

Vorsicht beim Transport des Akai AP-D2

- Das Ausgangskabel und das Netzkabel ziehen.
- Den Tonarm auf der Stütze verriegeln.
- Zum Schutz des Isolators den Akai AP-D2 heben und dann transportieren.
- Für den Transport des Akai AP-D2 über eine größere Distanz das Gerät in die Schutzhüllen einpacken und in den Originalbehälter legen.

Vor Inbetriebnahme des Akai AP-D2 diese Bedienungsanleitung aufmerksam durchlesen, um die Leistung des Geräts voll ausnützen zu können.

Dieser Schallplattenspieler ist nicht mit einem Netzschalter ausgerüstet. Auch wenn der Funktionsschalter auf aus gestellt ist, wird die Stromversorgung nicht vollständig unterbrochen.

Precauciones

Todo lo que debe conocer para protegerse Ud. y proteger el tornadiscos de accionamiento directo Akai AP-D2

¡Tenga cuidado! Ud. puede recibir una descarga eléctrica.

- No tocar el enchufe con las monos húmedas.
- Desconecte el aparato tirando siempre del enchufe, nunca del cable.
- Permita únicamente al profesional competente desarmar o reparar el Akai AP-D2. Una persona no autorizada puede tocar partes internas y recibir graves descargas eléctricas.
- No deje a los niños introducir objetos dentro del aparato, especialmente los metálicos.

Protejamos el Akai AP-D2.

- Utilice únicamente fuentes domésticas de alimentación de CA. Nunca use fuentes de alimentación de CC.
- Asegúrese de que el consumo de corriente de cada componente no exceda el vataje especificado en el panel trasero.
- Si ha derramado agua sobre el Akai AP-D2, desconéctelo y llame al service correspondiente.
- Asegúrese de que el Akai AP-D2 esté bien ventilado y que no esté expuesto al sol.
- Para evitar daños de las superficies externas y de los circuitos internos, consérvelo lejos del calor (calentadores, etc.)
- Evite el uso del insecticidas en aerosol cerca del Akai AP-D2. Puede dañarlo y prender fuego súbitamente.
- Para evitar daños en el acabado, nunca use alcohol, disolventes de pinturas u otros productos similares para su limpiado.
- Coloque siempre el aparato sobre una superficie plana y sólida.

Tengamos cuidado al mover el Akai AP-D2.

- Desenchufe el cable de alimentación y el cable de salida.
- Asegure el brazo fonocaptor en el seguro correspondiente.
- Para proteger las patas aislantes del aparato, levante el aparato y luego muévalo.
- Cuando transporte el Akai AP-D2 en trayectos largos, coloque el aparato en su caja original embalado en sus envoltorios protectores.

Para disfrutar del Akai AP-D2 durante mucho tiempo por favor lea cuidadosamente este manual.

Este tornadiscos no está equipado con el interruptor de alimentación. Aunque se desactiven todos los conmutadores de todas las funciones pero esta unidad no es apagada completamente.

Merkmale

Der Akai AP-D2 ist ein direktantriebener Plattenspieler mit einem FG Direktantrieb-Motor für gleichmäßige Schallplattenwiedergabe. Verwenden Sie den Akai AP-D2 in Kombination mit den anderen Komponenten der Pro-Serie, und Sie werden ein ausgezeichnetes HiFi-System haben.

1. Plattenspieler mit automatischer Rückführung.
2. Hochempfindlicher gerader Tonarm.
3. Gehäuse mit geringer Resonanz, das unempfindlich ist gegen Heultöne.
4. Frontbedienung.

Inhaltsverzeichnis

Warnung	30
Vorsichtsmaßnahmen	30
Merkmale	31
Bedienungselemente	32
Zusammenbau des Plattenspielers	33
Anschlüsse	34
Stellen wir den Plattenspieler mit Direktantrieb AP-D2 von Akai für eine gute Schallplattenwiedergabe ein	35—36
Hören wir eine Schallplatte	37—38
Auswechseln des Tonabnehmers	39—40
Nützliche Hinweise und Tips für die Praxis	40
Störungsüberprüfungen	41
Technische Daten	42

Características

El Akai AP-D2 es un tornadisocs de accionamiento directo que usa un motor de accionamiento directo de sevo FG para una reproducción de discos estable.

Use el Akai AP-D2 en combinación con los otros componentes de la serie Pro y usted tendrá un excelente sistema de alta fidelidad.

1. Sistema de tornadisco con auto retorno.
2. Brazo fonocaptor recto altamente sensitivo.
3. Utiliza un gabinete muy poco resonante, que es efectivo contra el ruido de aullido.
4. Operación en el panel delantero.

Contenido

Advertencia	30
Precauciones	30
Características	31
Controles	32
Ensamblemos el tornadisco	33
Conexiones	34
Ajustemos el tornadiscos de accionamiento directo Akai AP-D2 para una buena reproducción	35—36
Escuchemos discos	37—38
Cambiando el cartucho	39—40
Información útil	40
Primero confirmemos	41
Especificaciones	42



Bedienungselemente Controles

- * Das Kopfgehäuse des AP-D2 kann nicht entfernt werden.
- * La cápsula de la cabeza del AP-D2 no puede ser removida.

Gummimatte

Die Schallplatte hier auflegen.

Esterilla de goma

Coloque un disco aquí.

Staubschutzdeckel

Schützt vor Staub.

Cubierta contrapolvo

Para proteger contra el polvo.

Halter des 45 UpM Adapters

SopORTE adaptador para 45 rpm

Drehzahlwähler (SPEED)

Dient zur Wahl der Schallplattendrehzahl.

Selector de velocidad (SPEED)

Uselo para seleccionar la velocidad de rotación del disco.

Servoverriegelungs-Anzeige (SERVO LOCK)

Zeigt an, daß sich der Plattenteller mit der richtigen Geschwindigkeit dreht.

Indicador del servoseguro (SERVO LOCK)

Indica que el plato está rotando a la velocidad correcta.

Unterbrech-/Rückführ-Taste (CUT/RETURN)

Um den Tonarm automatisch zu heben und auf die Tonarmstütze zurückzuführen.

Botón de corte/retorno (CUT/RETURN)

Uselo para levantar automáticamente el brazo y regresarlo a su apoyo.

Tonarmstütze mit Klammer

Hält den Tonarm.

Apoyo del brazo fonocaptor con gancho

Sostiene el brazo.

Hauptgewicht

Contrapeso principal

Auflagedruck-Skalenring

Anillo de escala de presión de la aguja

Anti-Gleitregler (ANTI SKATING)

Regulador antipatinaje (ANTI SKATING)

Tonarm

Tonabnehmer/Kopfgehäuse

Nimmt die Musikinformation von der Schallplatte auf und wandelt sie in elektrische Signale um.

Brazo fonocaptor

Cartucho/cubierta de la cabeza

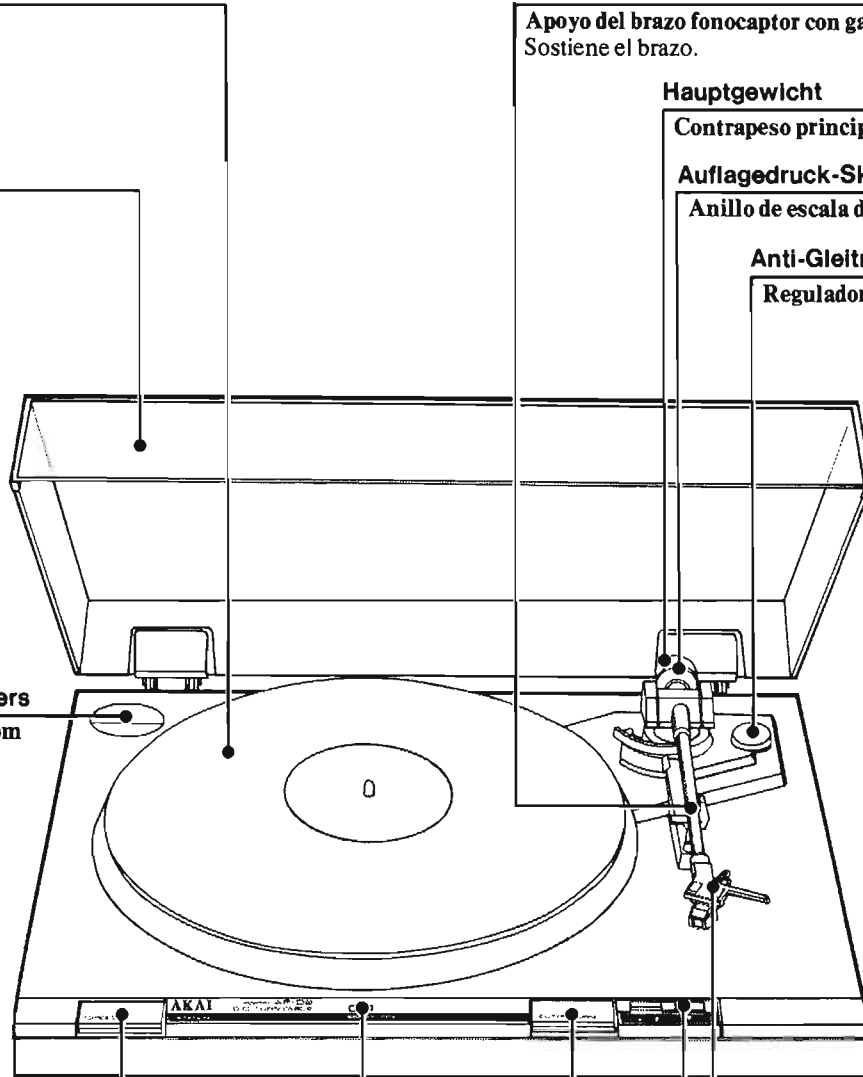
Detecta la información musical del disco y luego la convierte en señales eléctricas.

Tonarmheberhebel (CUE)

Zum Heben oder Senken des Tonarms

Palanca de marcación (CUE)

Usela para elevar o bajar el brazo.

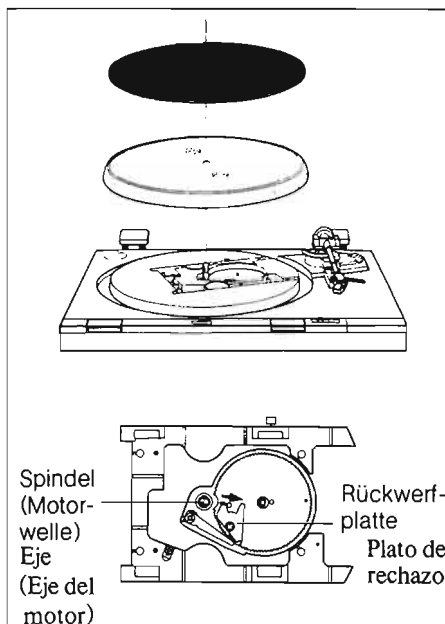




Zusammenbau des Plattenspielers Ensamblamos el tornadiscos

Plattenteller

1. Entfernen Sie die 3 Versandschrauben.
2. Fassen Sie den Antriebsriemen durch eines der Löcher im Plattenteller, dehnen Sie ihn und ziehen sie ihn über den Kapstan in die Riemenführung.
3. Legen Sie die Gummimatte mit der AKAI-Markierung nach oben auf den Plattenteller.

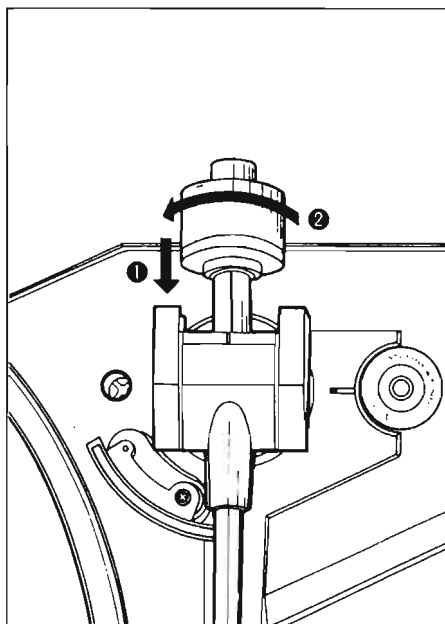


Plato

1. Remueva los 3 tornillos de transporte.
2. Extienda la correa de accionamiento con sus dedos a través de uno de los agujeros en el tornadiscos, pásela a través del cabrestante y la guía de la correa.
3. Coloque la esterilla de goma sobre el plato, el lado con la marca AKAI va hacia arriba.

Tonarm

Das Hauptgewicht auf dem hinteren Ende des Tonarms befestigen und gegen den Uhrzeigersinn drehen (von vorne her gesehen).



Brazo fonocaptor del cartucho

Con el anillo de escala de la presión de la aguja al frente, coloque el contrapeso principal en el extremo principal del brazo fonocaptor y gire en la dirección contraria a las manecillas del reloj viéndolo desde el frente.



Anschlüsse Conexiones

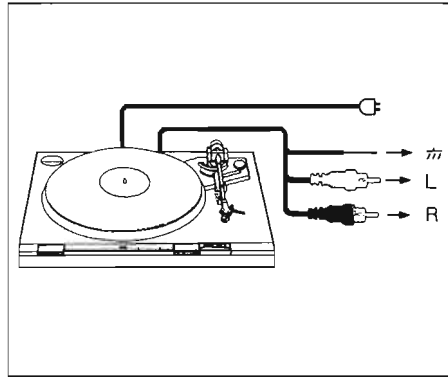
Vor dem Anschluß

Das Netzkabel zuletzt anschließen.

Antes de conectar

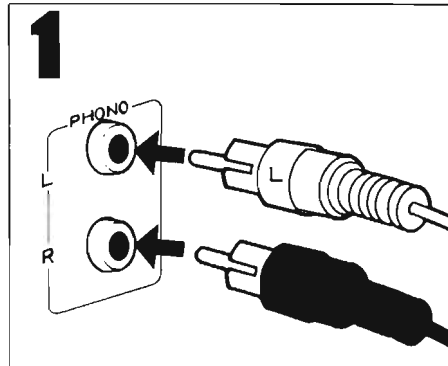
Deje el cable de alimentación desconectado.

Den roten Stiftstecker an die rechte (R=rot) Buchse und den Weißen Stiftstecker an die linke (L=weiß) Buchse anschließen.



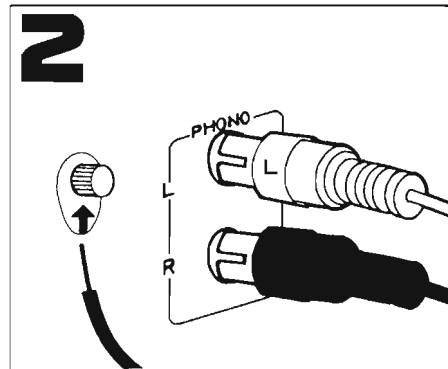
Asegúrese de que usted conecte el enchufe macho rojo a la toma hembra derecha (R-roja) y el enchufe macho blanco a la toma hembra izquierda (L-blanca).

Das Ausgangskabel des Akai AP-D2 an die Phono-Buchsen (**PHONO**) des Verstärkers anschließen.



Conecte el cable de salida del Akai AP-D2 a las tomas de fono (**PHONO**) del amplificador.

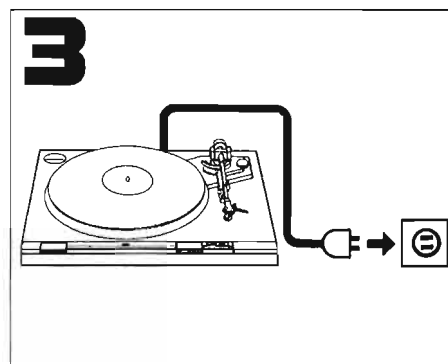
Das Erdungskabel des Akai AP-D2 an die Erdungsklemme (↗↗) des Verstärkers anschließen.



Conecte el cable de tierra del AP-D2 al terminal de tierra (↗↗) del amplificador.

Nach all diesen Anschlüssen

Das Netzkabel an die Wandsteckdose oder an den Netzausgang des Verstärkers anschließen.



Después de que usted haya conectado todo
Conecte el cable de alimentación a un tomacorriente doméstico o al tomacorriente de CA del amplificador.



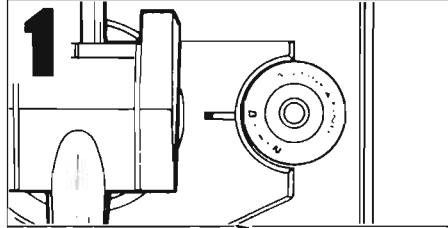
Stellen wir den Plattenspieler mit Direktantrieb AP-D2 von Akai

Ajustemos el tornadiscos de accionamiento directo Akai

Für eine ordnungsgemäße Abtastung der Schallplatte muß die Auflagekraft korrekt eingestellt werden. Eine falsche Einstellung der Auflagekraft kann zu Beschädigungen der Schallplatte und zu verzerrtem Klang führen.

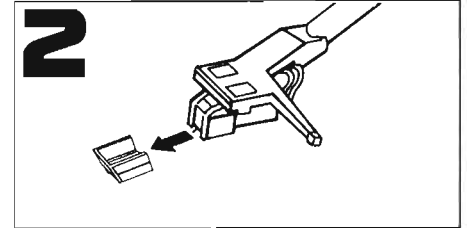
Para hacer que la aguja siga correctamente los surcos del disco, la presión de la aguja debe ser ajustada correctamente. Una presión incorrecta de la aguja puede conducir a daños en el disco, así como también a sonido distorsionado.

Stellen Sie den Anti-Gleitregler auf "0".



Coloque el ajuste antipatinaje en "0".

Entfernen Sie den Abtastnadelschutz.



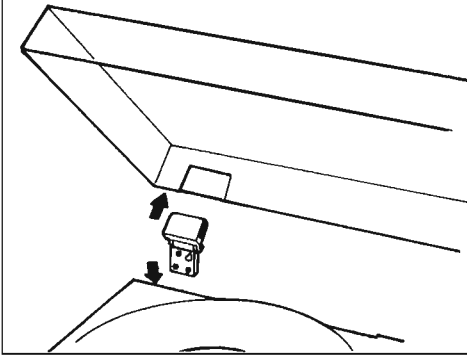
Remueva el protector de la aguja.

Staubschutzdeckel

Befestigen Sie den Staubschutzdeckel nach dem Einstellen der Auflagekraft.

Cubierta contrapolvo

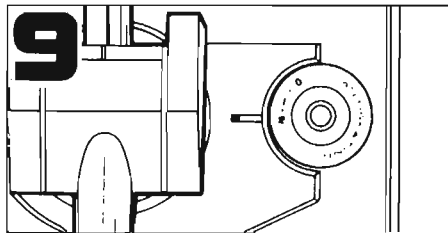
Instale la cubierta contrapolvo después de ajustar la presión de la aguja.



Die Einstellung für die Auflagekraft ist nun beendet. Wenn Sie den befestigten Tonabnehmer ersetzen, müssen Sie die Einstellung erneut vornehmen.

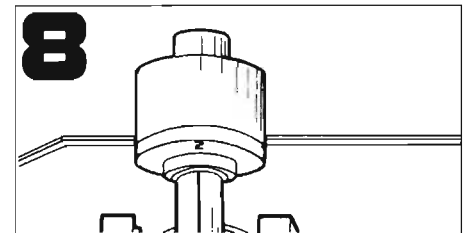
Ahora usted ha completado el procedimiento para el ajuste de la presión de la aguja. Cuando usted cambie el cartucho instalado por uno nuevo, debe realizar una vez más el mismo procedimiento.

Stellen Sie den Anti-Gleitregler auf "2".



Gradúe el ajuste antipatinaje a "2".

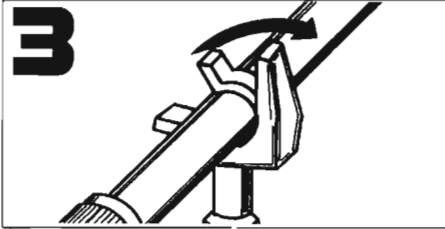
Verriegeln Sie den Tonarm und drehen Sie das Kontragegewicht, von vorne gesehen, im Gegenuhrzeigersinn (der Meßring für den Nadel-Auflagedruck bewegt sich mit dem Gewicht), bis die Anzeige "2" des Auflagedruck-Meßrings auf der Markierung des Tonarms steht.



Asegure el brazo y rote el contrapeso principal hacia la izquierda, visto desde el frente (la escala de la presión de la aguja se moverá con esto), hasta que la indicación de la escala sea de "2".

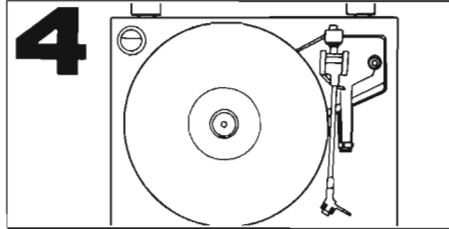
Akai für eine gute Schallplattenwiedergabe ein AP-D2 para una buena reproducción

Entriegeln Sie den Tonarm.



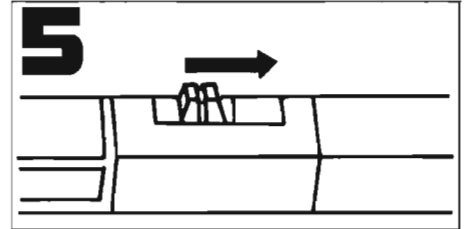
Desasegure el brazo.

Schieben Sie den Tonarm in die Mitte zwischen der Tonarmstütze und der Kante des Plattentellers.



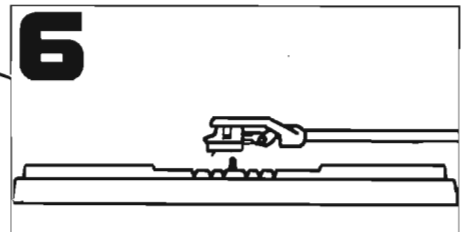
Mueva el brazo hasta que llegue al centro entre el apoyo para el brazo y la orilla del plato.

Halten Sie den Tonabnehmer am Griff, um die Nadel zu schützen, und stellen Sie den Tonarmheberhebel auf ∇ . Der Tonarm wird sich senken.



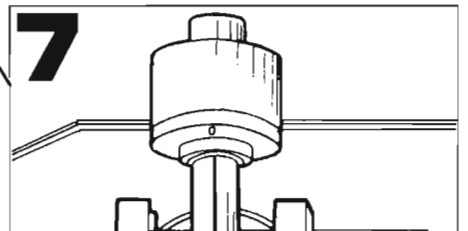
Para proteger la aguja, sostenga el cartucho por el mango y ajuste la palanca de elevación ∇ . El brazo será bajado.

Bewegen Sie das Hauptgewicht, bis der Tonarm in perfektem horizontalem Gleichgewicht ist.



Mueva el contrapeso principal hasta que el brazo esté en perfecto balance horizontal.

Den Auflagedruck-Skalenring drehen und die "0"-Markierung mit der Markierung auf dem Gewichtschaf in Übereinstimmung bringen. Das Hauptgewicht sollte nicht bewegt werden.



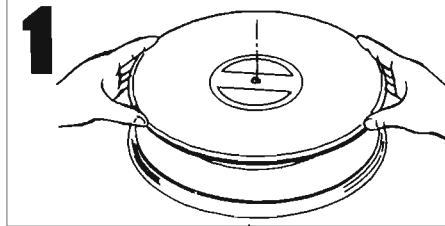
Sin mover el contrapeso principal, rote el anillo de escala de la presión de la aguja solamente para hacer coincidir la marca "0" con la marca en el eje del contrapeso.



Hören wir eine Schallplatte

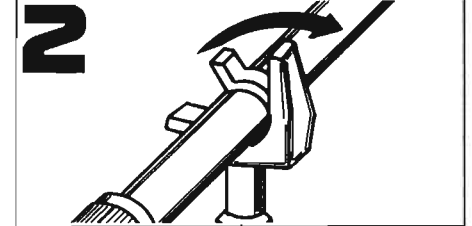
Escuchemos discos

Legen Sie eine Schallplatte auf den Plattenteller



Coloque el disco en el plato.

Den Tonarm entriegeln.



Desasegure el brazo.

Auswechseln der Abtastnadel

Die Abtastnadel durch eine Akai RS-85 ersetzen.
Für zufriedenstellende Abspielergebnisse sollte die Abtastnadel nach ca. 400 Gebrauchsstunden ausgewechselt werden.

Achtung

1. Unter den folgenden Bedingungen den Tonarm oder Plattenteller nicht berühren und die Stromversorgung nicht ausschalten:
 - Während des Abspielbetriebs.
 - Wenn sich der Plattenteller dreht.
 - Wenn der Tonarm automatisch bewegt wird.
2. Beim Heben und Senken des Tonarms während des Abspielbetriebs den Lautstärkeregler des Verstärkers auf Null stellen.
3. Das automatische Rückführsystem führt den Tonarm an einer bestimmten Stelle der Schallplatte auf die Stütze zurück. Bei Schallplatten mit normaler Größe sollten keine Probleme auftreten. Beim Abspielen von Schallplatten, deren Musikrinne über diese Stelle hinausführt, wird der Abspielbetrieb jedoch unterbrochen.

Para cambiar la aguja

La aguja para el Akai AP-D2 es RS-85.
Para una buena reproducción, cambie la aguja después de aproximadamente 400 horas de uso.

Atención

1. No toque el brazo ni el plato y no desconecte la corriente bajo las siguientes condiciones:
 - Durante la reproducción de discos.
 - Cuando el plato esté rotando.
 - Cuando el brazo se esté moviendo automáticamente.
2. Ajuste el control de volumen del amplificador a cero cuando levante baje el brazo durante la reproducción.
3. El sistema de retorno automático está ajustado para regresar el brazo a un punto especificado del disco. No habrá ningún problema con discos de tamaño regular, pero con algunos tipos de discos con ciertos surcos de música después de este punto, la reproducción será interrumpida.



Zum Stoppen des Abspielbetriebs vor dem Erreichen der Schallplattenmitte

Die Unterbrech/Rückführ-Taste (CUT/RETURN) drücken.


Para detener la reproducción antes del final del disco


Oprima el botón de corte corte/retorno (CUT/RETURN).

Zum kurzzeitigen Unterbrechen des Abspielbetriebs

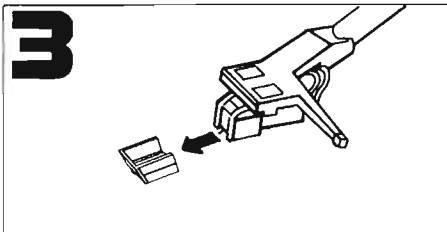
Den Tonarmheberhebel auf  stellen. Der Tonarm hebt sich. Zum Senken des Tonarms den Tonarmheberhebel wieder auf  stellen.

Para detener temporalmente la reproducción

Ajuste la palanca de elevación del brazo en . El brazo se elevará.

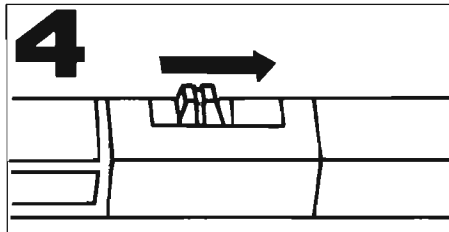
Para bajar el brazo, coloque la palanca de elevación del brazo en .

Den Abtastnadelschutz entfernen.



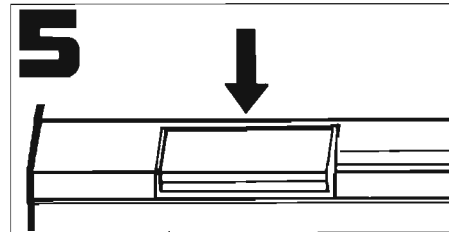
Remueva el protector de la aguja.

Stellen Sie den Tonarmheberhebel auf ∇ .



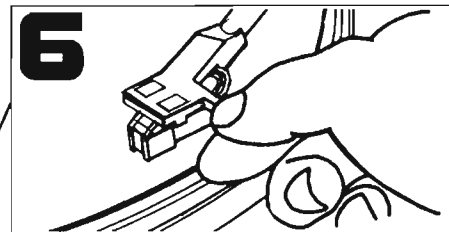
Ajuste la palanca de elevación del brazo a ∇ .

Die Drehzahl mit dem Drehzahlwähler (SPEED) wählen.



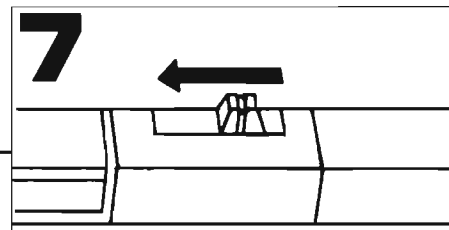
Seleccione la velocidad del disco con el selector de velocidad (SPEED).

Halten Sie das Kopfgehäuse am Griff und bringen Sie die Nadel per Hand an die Stelle, von der aus die Wiedergabe beginnen soll.

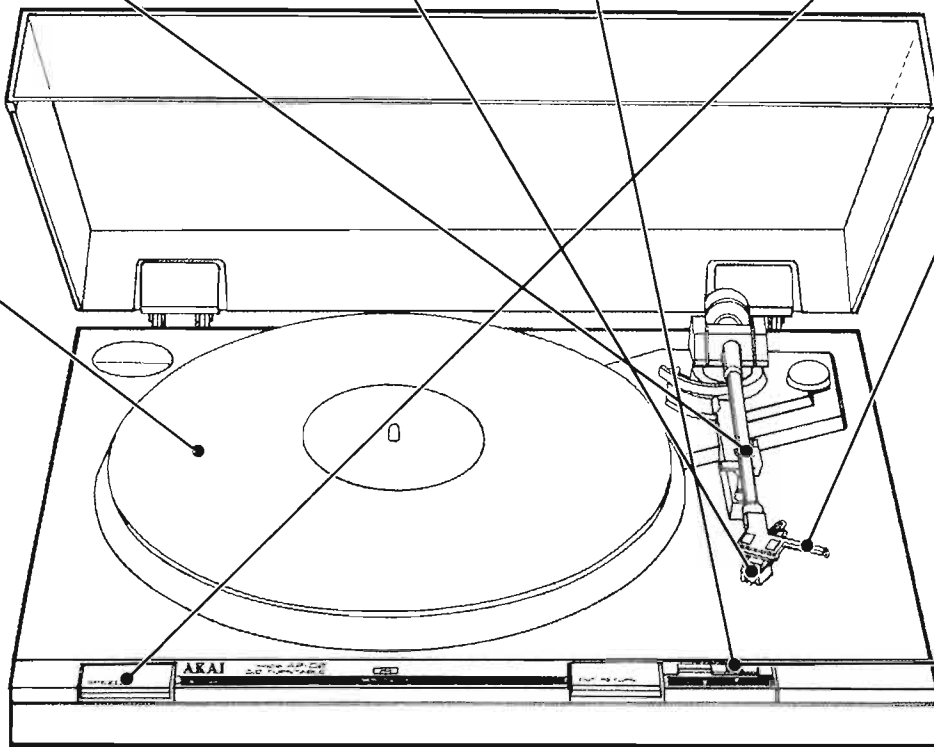


Sostenga el brazo por el manguito y lleve la aguja hasta donde desea que comience la reproducción.

Stellen Sie den Tonarmheberhebel auf ∇ , und die Wiedergabe beginnt. Bei Schallplattenende wird der Tonarm zur Stütze zurückgeführt und der Plattenteller hört auf sich zu drehen.



Coloque la palanca de elevación del brazo en ∇ y la reproducción comenzará. Al final del disco, el brazo retornará a su apoyo y el plato dejará de rotar.





Auswechseln des Tonabnehmers Cambiando el cartucho

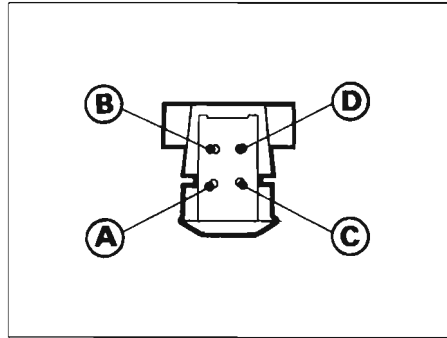
Hinweise

Schalten Sie vor dem Auswechseln alle Komponenten aus.

• Befestigung

- Lösen Sie die Schrauben, und trennen Sie die Leitungskabel ab.
- Schließen Sie die Leitungskabel an den neuen Tonabnehmer an.
 - Blau: Linke Erdung (—)
 - Weiß: Linker Ausgang (+)
 - Grün: Rechte Erdung (—)
 - Rot: Rechter Ausgang (+)
- Befestigen Sie den Tonabnehmer parallel zu den Befestigungslöchern.
 - * Schrauben Sie den Tonabnehmer nicht zu fest an, damit Sie die Überhangeinstellung durchführen können.

Wenn Sie den Tonabnehmer durch einen neuen ersetzen, müssen Sie den Akai AP-D2 gemäß dem neuen Tonabnehmer einstellen, um gute Wiedergabeergebnisse zu erhalten.



Notas

Apague todos los componentes antes de cambiar el cartucho.

• Cómo instalar

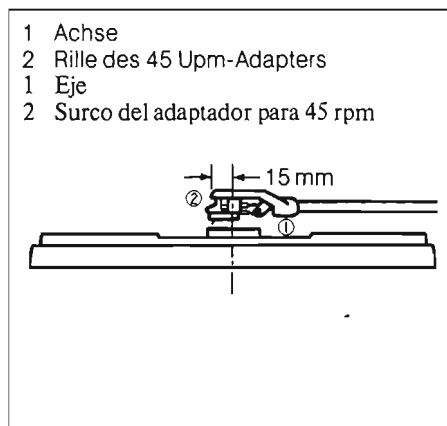
- Afloje los tornillos y desconecte los cables.
- Conecte los cables al nuevo cartucho.
 - Azul: tierra izquierda (—)
 - Bianco: salida izquierda (+)
 - Verde: tierra derecha (—)
 - Rojo: salida derecha (+)
- Instale el cartucho paralelamente a los agujeros de montaje.

Cuando usted cambie el cartucho por uno nuevo, usted debe reajustar el Akai AP-D2 al nuevo cartucho, para así obtener una buena reproducción.

• Überhangeinstellung

Der Abstand zwischen der Spindel und der Abtastnadel, wenn sich der Tonarm über der Mitte des Plattentellers befindet, wird Überhang genannt.

- Ziehen Sie das Netzkabel.
 - Legen Sie 45 Upm-Adapter (Standardzubehör) auf den Plattenteller.
 - Führen Sie den Tonarm über die Mitte des Plattentellers.
 - Stellen Sie die Stellung des Tonabnehmers im Gehäuse so ein, daß die Nadel 15 mm von der Achse entfernt ist.
- Die Stellung des Tonabnehmers kann durch Verstellen der sich im Kopfgehäuse befindlichen Schrauben justiert werden.



• Ajuste del vuelo

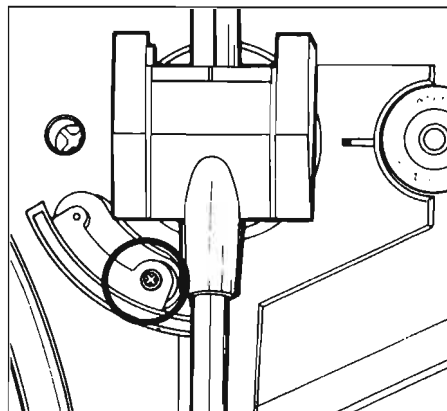
La distancia entre el eje y la aguja cuando el brazo está centrado en el plato es conocido como vuelo.

- Desconecte el cable de alimentación.
 - Coloque el adaptador para 45 rpm (accesorio estándar) sobre el plato.
 - Centre el brazo en el plato
 - Ajuste la posición del cartucho de manera que la aguja esté 15 mm desde el eje del disco.
- La posición del cartucho puede ser ajustada por medio de los tornillos de la cápsula.

• Einstellung der Tonarmhöhe

Wenn der Tonarm gehoben ist, sollte sich die Abtastnadel über 3 mm über der Schallplatte befinden. Drehen Sie die Einstellschraube, um die Höhe zu verändern.

- Im Uhrzeigersinn: abwärts
- Im Gegenuhrzeigersinn: aufwärts



• Ajuste de la altura del brazo

Con el brazo en posición elevada, la aguja debe estar más de 3 mm sobre la superficie del disco. Gire el tornillo de ajuste para cambiar la altura.

- Hacia la derecha: abajo
- Hacia la izquierda: arriba

● Einstellung der automatischen Rückführung

Sollte der Tonarm am Ende der Schallplatte nicht automatisch auf die Stütze zurückgehen, oder dies während dem Abspielen tun:

1. Das Netzkabel angeschlossen lassen.
2. Die Regulierschraube der automatischen Rückführung justieren.

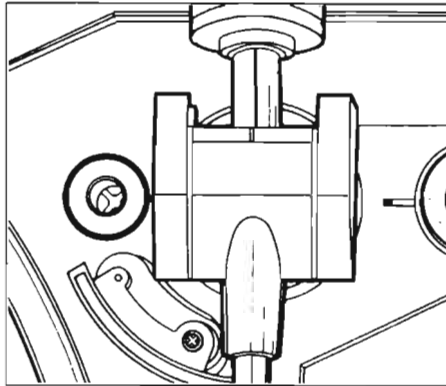
Drehen im Uhrzeigersinn: Wenn der Tonarm vor Ende der Schallplatte zurückgeht.

Drehen gegen den Uhrzeigersinn: Wenn der Tonarm am Ende der Schallplatte nicht zurückgeht.

- Die Schraube nicht zu weit gegen den Uhrzeigersinn drehen.

Hinweis

Akai empfiehlt das Auflegen der Schallplatte und den automatischen Rückführungsbetrieb nach Beendigung der Einstellungen und Bestätigung, daß diese richtig ausgeführt sind.



● Ajuste del autorretorno

Si el brazo fonocaptor no regresa automáticamente al apoyo del brazo al final de la reproducción, o lo hace durante la reproducción:

1. Deje conectado el cordón de la corriente.
2. Arregle el tornillo de ajuste del autorretorno.

Gire hacia la derecha: Si el brazo fonocaptor retorna antes de que el disco finalice.

Gire hacia la izquierda: Si el brazo fonocaptor no retorna al final del disco.

- No gire demasiado el tornillo hacia la izquierda.

Nota

Akai recomienda que el disco sea colocado en el plato y que la operación de autorretorno sea llevada a cabo después de cada ajuste para confirmar el éxito de cada ajuste.



Nützliche Hinweise und Tips für die Praxis

Información útil

Die Schallplatten und die Abtastnadel sauber halten.

Schmutzige Schallplatten und eine staubige Abtastnadel führen zu Verzerrungen und zu Hüpfen der Abtastnadel. Die Schallplatten und die Abtastnadel deshalb mit dem Reinigungssatz CK-200 des Sonderzubehörs reinigen.

Den Akai AP-D2 nicht Stößen aussetzen.

Dies kann zu Hüpfen der Nadel führen, wodurch die Abtastnadel und die Schallplatte beschädigt werden.

Das Lautsprechersystem vor Beschädigung schützen.

Beim Heben oder Senken des Tonarms während des Abspielens den Lautstärkereger des Verstärkers auf Null stellen.

Vorsicht beim Transport des Akai AP-D2.

- a) Das Ausgangskabel und das Netzkabel ziehen.
- b) Den Tonarm auf der Stütze verriegeln.
- c) Zum Schutz des Isolators den Akai AP-D2 heben und dann transportieren.
- d) Beim Transport des Akai AP-D2 über eine größere Distanz das Gerät in die Schutzhüllen einpacken und in den Originalbehälter legen.

Einen geeigneten Aufstellort für den Akai AP-D2 wählen.

Nicht in der Nähe eines Fernsehers, Lautsprechersystems, Verstärkertransformers usw. aufstellen. Solche Anlagen erzeugen Signale oder Vibrationen, die von der Abtastnadel aufgenommen werden.

Die Schallplatten vor Beschädigung schützen.

Beim Auflegen der Schallplatte nicht die Rille berühren. Verschmutzte Rillen können Verzerrungen erzeugen. Die Schallplatten stehend an einen gut belüfteten und verhältnismäßig staubfreien Ort aufbewahren.

Un pequeño conocimiento lo llevará muy lejos.

Una aguja sucia y discos sucios pueden producir distorsión y hacer que la aguja salte. Por lo tanto, limpie los discos y la aguja con el juego de limpieza CK-200, accesorio opcional.

No golpee el Akai AP-D2.

Esto puede hacer que la aguja salte, produciendo su deterioro y el daño del disco.

Protejamos que el sistema de altavoces se dañe

Ajuste el control de volumen del amplificador a cero cuando levante o baje el brazo durante la reproducción.

Tengamos cuidado cuando movamos el Akai AP-D2.

- a) Desenchufe el cable de salida y el cable de alimentación.
- b) Asegure el brazo a su apoyo.
- c) Para proteger el aislamiento levante el Akai AP-D2 y luego muévalo.
- d) Cuando transporte el Akai AP-D2 una larga distancia, apriete los dos tornillos de transporte y colóquelo en su caja original.

Tenga cuidado en donde usted coloca el Akai AP-D2.

Lejos del televisor, sistema de altavoces, transformador del amplificador, etc. Estos equipos generan señales o vibraciones que pueden ser detectadas por la aguja.

Protejamos los discos.

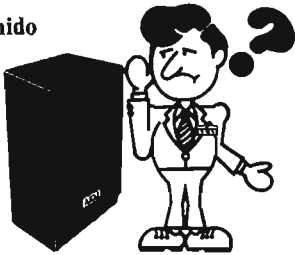
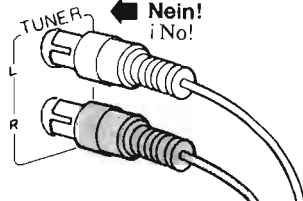

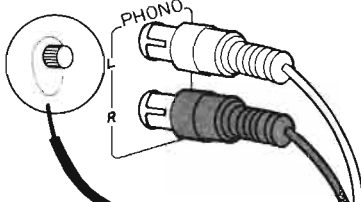
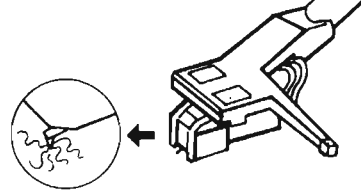
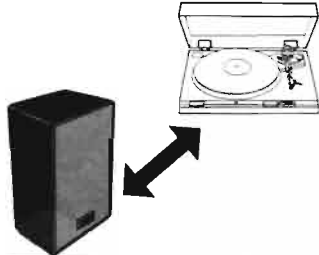
No toque los surcos cuando sostenga el disco. Surcos sucios producirán distorsiones.

Guarde los discos en forma vertical, en un sitio bien ventilado y relativamente libre de polvo.



Störungsüberprüfungen

Primero confirmemos

<p>Kein Ton No hay sonido</p> 	 <ul style="list-style-type: none">• Das Ausgangskabel ist nicht korrekt angeschlossen. Es sollte korrekt an die Phono-Buchsen angeschlossen werden.• El cable de salida no está conectado correctamente. Este debe ser conectado en forma segura a las tomas de fono.
<p>Brummgeräusche Ruido de silbido</p> 	 <ul style="list-style-type: none">• Das Ausgangskabel oder das Erdungskabel ist nicht korrekt angeschlossen. Korrekt anschließen.• El cable de salida o el alambre de tierra no está conectado correctamente. Conéctelos en forma segura.
<p>Verzerrter Klang Sonido distorsionado</p>	 <ul style="list-style-type: none">• Schmutzige oder abgenutzte Abtastnadel. Die Abtastnadel reinigen oder austauschen.• Schmutzige Abtastnadel oder Schallplatte. Die Abtastnadel oder Schallplatte reinigen.• Nadelaufgelegedruck und Anti-Skating sind nicht korrekt eingestellt. Stellen Sie den Aufgelegedruck und Anti-Skating entsprechend der Tonabnehmer-Angaben ein.• Aguja o disco sucio. Limpie la aguja o el disco.• Aguja sucia o gastada. Limpie o cambie la aguja, lecture.• La presión de la aguja y el antipatinaje están ajustados incorrectamente. Ajuste la presión de la aguja y el antipatinaje de acuerdo con las especificaciones del cartucho.
<p>Die Abtastnadel hüpft Saltos de la aguja</p>	
<p>Kratzgeräusche Ruido de rasgadura</p>	
<p>Heultöne Aullido</p>	
 <ul style="list-style-type: none">• Der Akai AP-D2 ist zu nahe bei den Lautsprechern aufgestellt. Von den Lautsprechern wegschieben.• El Akai AP-D2 está demasiado cerca del sistema de altavoces. Muévelo lejos del sistema de altavoces.	

Wenn eine Störung nicht behoben werden kann, notieren Sie sich die Modell- und Seriennummern und alle die Garantie betreffenden Daten sowie eine klare Beschreibung der Störung und kontaktieren die nächstgelegene Akai Kundendienststelle oder die Kundendienstabteilung der Akai Electric Company, Tokio, Japan.

Si algún problema persiste, escriba el número del modelo y el número de serial, y todos los datos pertinentes con relación a la garantía, así también como una clara descripción del problema existente y contacte su estación de servicio autorizado Akai más cercana o al departamento de servicio de Akai electric Company, Tokio, Japón.



Technische Daten Especificaciones

Plattenteller	Aluminium-Spritzguß
Antriebssystem	Gleichstrom-Servo-Direktantrieb, automatische Rückführung
Motor	Gleichstrom-Servomotor
Drehzahl	33-1/3 und 45 U/Min.
Gleichlaufschwankungen ..	0,03% (WRMS)
Rumpeln	73 dB (DIN-B)
Tonarm	Statisch balancierter, gerader Typ
Effektive Armlänge	220 mm
Nadelspitzenndruck	0 bis 2,5 g
Verwendbares	
Tonabnehmergewicht ..	3 bis 7 g
Armheber	Ölgedämpft
Überhang	15 mm
Tonabnehmer	Drehmagnet-Typ (Ersatz-Ab- tastnadel RS-85)
Ausgangsspannung	2,5 mV (DIN)
Kanaltrennung	20 dB
Stromversorgung	120V, 60 Hz für die USA und Kanada 220V, 50 Hz für die europäische Länder 240V, 50 Hz für GB und Australien 110V—120V/220V—240V, 50/60 Hz für andere Länder umschaltbar
Abmessungen	440(B) × 96(H) × 359(T) mm
Gewicht	5,10 kg

Standardzubehör

45 U/Min-Adapter 1

* Die Änderungen der technischen Daten und Design zum Zwecke der Verbesserung sind vorbehalten.

Tornadiscos (plato)	aleación de aluminio moldeado
Sistema de accionamiento ..	Accionamiento directo, con retorno automático y servo FG
Motor	Servo-motor CD
Velocidad	33-1/3 y 45 rpm
Ululación y trémolo	0.03% (WRMS)
Ruido mecánico de baja	
frecuencia	73 dB (DIN-B)
Brazo fonocaptor	Tipo recto estático balanceado
Longitud efectiva del	
brazo	220 mm
Gama de regulado de la	
presición de la aguja	0 to 2,5 g
Peso aplicable del cartucho	
fonocaptor	3 a 7 g
Elevador del brazo	Amortiguado, de aceite
Vuelo	15 mm
Cartucho	Tipo de imán móvil (Reemplazo aguja RS-85)
Voltaje de salida	2,5 mV (DIN)
Separación de canales	20 dB
Requisitos de corriente	120V, 60 Hz para E.U. y Canadá 220V, 50 Hz para Europa, excepto In- glaterra 240V, 50 Hz para Inglaterra y Austra- lia 110V—120V/220V—240V, 50/60 Hz commutable para otros países
Dimensiones	440(An) × 96(AI) × 359(Pr) mm
Peso	5,10 kg

Accesorio estándar

Adaptador de 45 rpm 1

* Con propósitos de mejoras del producto, las especificaciones y el diseño están sujetos a cambios sin previo aviso.

AKAI

AKAI ELECTRIC CO., LTD.

12-14, Higashi-Kojiya, 2-chome,
Ohta-ku, Tokyo, 144 Japan



① 580408B1
580413-2.5
Printed in Japan