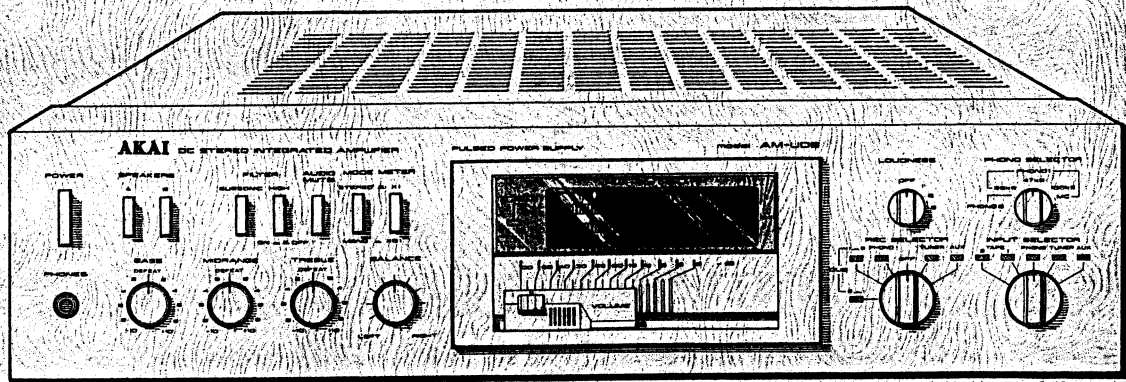


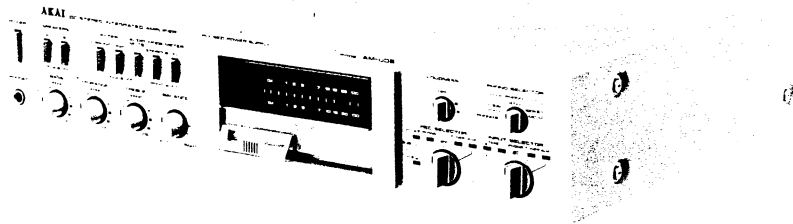
# AKAI SERVICE MANUAL

AM-U06



DC STEREO INTEGRATED AMPLIFIER

MODEL **AM-U06**



**DC STEREO INTEGRATED AMPLIFIER**

**MODEL AM-U06**

ALSO APPLICABLE TO BLACK PANEL MODEL

SECTION 1 SERVICE MANUAL ..... 3  
 SECTION 2 PARTS LIST ..... 29  
 SECTION 3 SCHEMATIC DIAGRAM ..... 42

SECTION 1

**SERVICE MANUAL**

TABLE OF CONTENTS

I. TECHNICAL DATA ..... 4  
 II. DISMANTLING OF UNIT ..... 5  
 III. CONTROLS ..... 6  
 IV. PRINCIPAL PARTS LOCATION ..... 7  
 V. VOLTAGE CONVERSION ..... 8  
 VI. OPERATION OF PULSE POWER CIRCUIT ..... 9  
 VII. LEVEL DIAGRAM ..... 16  
 VIII. ADJUSTMENTS ..... 17  
 IX. CLASSIFICATION OF VARIOUS P.C BOARDS ..... 18  
 1. P.C BOARD TITLES AND IDENTIFICATION NUMBERS ..... 18  
 2. COMPOSITION OF VARIOUS P.C BOARDS ..... 19

For basic adjustments, measuring methods, and operating principles, refer to GENERAL TECHNICAL MANUAL.

## I. TECHNICAL DATA

### POWER AMPLIFIER SECTION

RATED POWER OUTPUT 2-CHANNEL DRIVEN	68 watts per channel, minimum RMS, at 8 ohms from 20 to 20,000 Hz with no more than 0.008% total harmonic distortion
POWER BANDWIDTH (IHF)	6 Hz to 60 kHz/8 ohms (Total harmonic distortion: 0.05%)
SIGNAL TO NOISE RATIO (IHF) PHONO AUX	Better than 84 dB Better than 97 dB*
RESIDUAL NOISE	Less than 0.5 mV at 8 ohms
CHANNEL SEPARATION (IHF) PHONO	Better than 60 dB at 1,000 Hz
DAMPING FACTOR	More than 180 (1 kHz, 8 ohms)
OUTPUT SPEAKERS HEADPHONES	A, B (4 to 16 ohms)/A+B (8 to 16 ohms) 4 to 16 ohms

### PREAMPLIFIER SECTION

INPUT SENSITIVITY/IMPEDANCE PHONO 1	MC: 80 $\mu$ V/10 ohms MM: 3 mV/33k, 47k, 100k ohms switchable 3 mV/47 kohms
PHONO 2 AUX TUNER TAPE MONITOR	150 mV/100 kohms 150 mV/100 kohms 150 mV/100 kohms (PIN) 20 mV/100 kohms (DIN)
OUTPUT LEVEL/IMPEDANCE TAPE REC	150 mV/1 kohms (PIN) 150 mV/100 kohms (DIN)
REC OUTPUT	1 V/1 kohms
FREQUENCY RESPONSE PHONO (RIAA EQUALIZATION) AUX, TUNER, TAPE MONITOR	30 Hz to 15 kHz $\pm$ 0.2 dB 6 Hz to 100 kHz $\pm$ 0 dB, $-2$ dB
TONE CONTROL BASS MIDRANGE TREBLE	$\pm$ 8 dB at 100 Hz $\pm$ 6 dB at 1 kHz $\pm$ 8 dB at 10 kHz
AUDIO MUTE	$-20$ dB
LOUDNESS CONTROL	at 100 Hz                      at 10 kHz 1. 3 dB                      1. 2.5 dB 2. 6 dB                      2. 5 dB 3. 9 dB                      3. 8 dB (VOLUME control set at $-30$ dB position)
FILTER SUBSONIC HIGH	$-3$ dB at 18 Hz $-3$ dB at 10 kHz

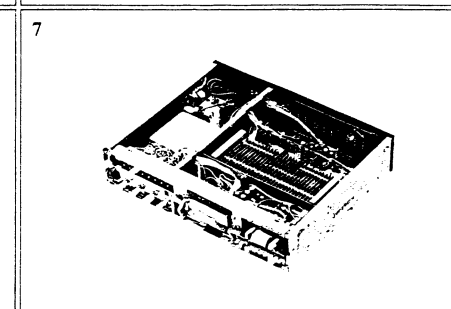
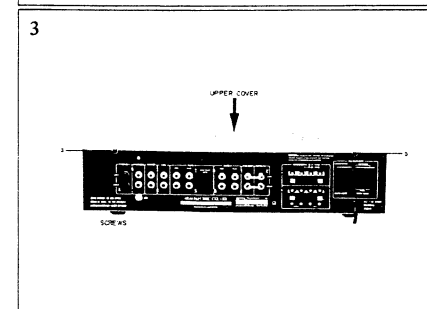
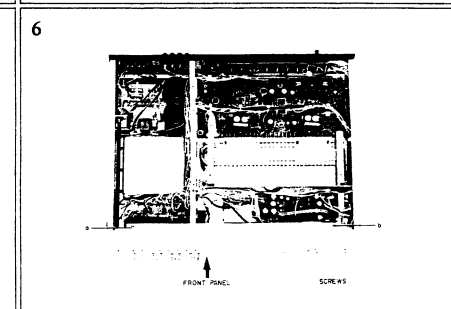
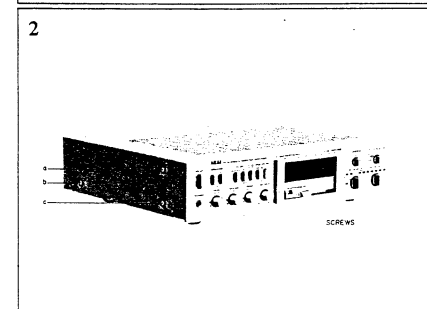
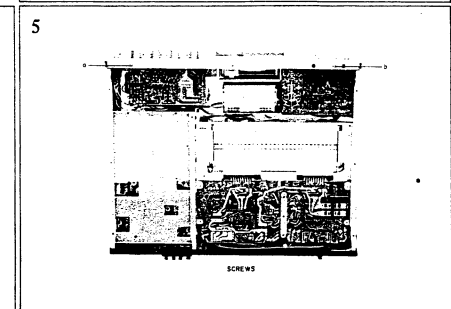
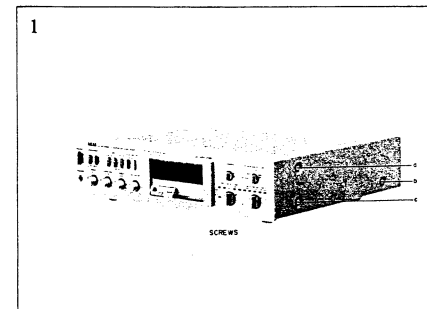
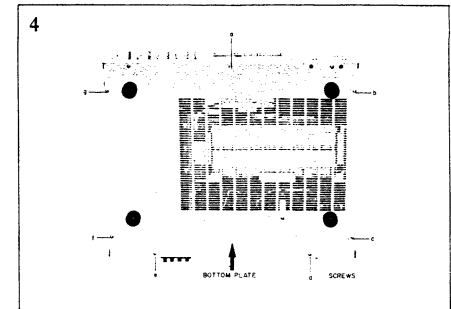
### MISCELLANEOUS

POWER REQUIREMENTS	120V, 60 Hz for USA and Canada 220V, 50 Hz for Europe except UK 240V, 50 Hz for UK and Australia 110V/220V/240V, 50/60 Hz internally switchable for other countries
POWER CONSUMPTION	U/T 280W CSA 360W AAL 220W CEE 450W UK, SAA 510W
DIMENSIONS	440 (W) $\times$ 105 (H) $\times$ 308 (D) mm (17.3 $\times$ 4.1 $\times$ 12.1 inches)
WEIGHT	8.3 kg (18.3 lbs)

\* For improvement purposes, specifications and design are subject to change without notice.

## II. DISMANTLING OF UNIT

In case of trouble, etc. necessitating dismantling, please dismantle in the order shown in the photographs. Reassemble in reverse order.



### III. CONTROLS

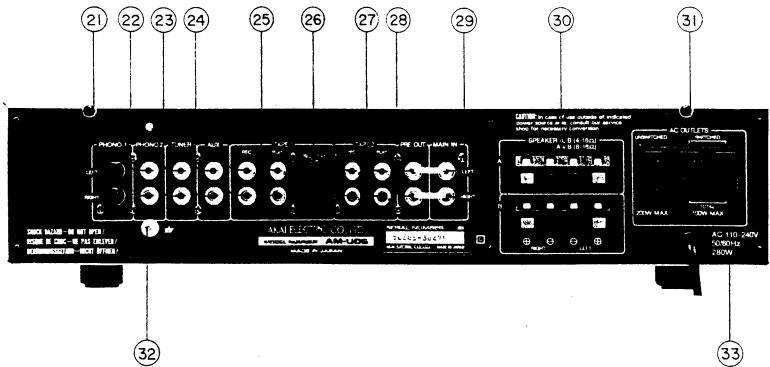
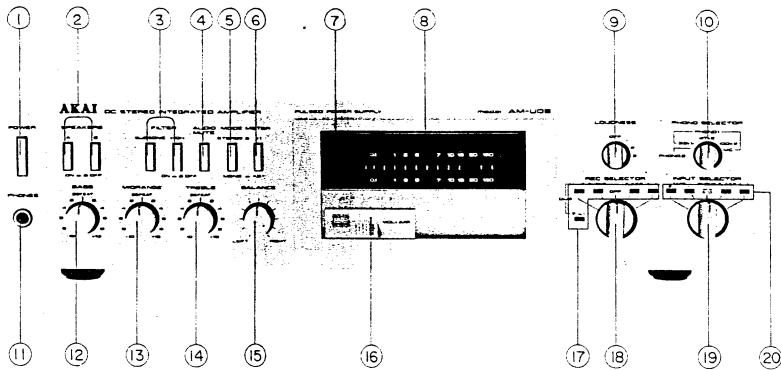


Fig. 1 Controls

- |  |   |
|--|---|
| <ol style="list-style-type: none"> <li>1. POWER SWITCH</li> <li>2. SPEAKER SYSTEM SELECTOR SWITCHES</li> <li>3. FILTER SWITCHES</li> <li>4. AUDIO MUTE</li> <li>5. MODE SELECTOR</li> <li>6. METER SWITCH</li> <li>7. CLIPPING INDICATOR</li> <li>8. FLD BAR METER</li> <li>9. LOUDNESS SWITCH</li> <li>10. PHONO SELECTOR</li> <li>11. HEADPHONE JACK</li> <li>12. BASS CONTROL</li> <li>13. MIDRANGE TONE CONTROL</li> <li>14. TREBLE CONTROL</li> <li>15. STEREO BALANCE CONTROL</li> <li>16. VOLUME CONTROL</li> <li>17. RECORDING SELECTOR INDICATOR</li> <li>18. RECORDING SELECTOR</li> </ol> | <ol style="list-style-type: none"> <li>19. INPUT SELECTOR</li> <li>20. INPUT SELECTOR INDICATOR</li> <li>21. PHONO 1 INPUT TERMINALS</li> <li>22. PHONO 2 INPUT TERMINALS</li> <li>23. TUNER TERMINALS</li> <li>24. AUX TERMINALS</li> <li>25. TAPE 1 SYSTEM REC/PLAY TERMINALS</li> <li>26. TAPE 1 SYSTEM DIN JACK<br/>(Some models do not have this facility.)</li> <li>27. TAPE 2 SYSTEM REC/PLAY TERMINALS</li> <li>28. PRE-OUT TERMINALS</li> <li>29. MAIN-IN TERMINALS</li> <li>30. A AND B SYSTEM SPEAKER TERMINALS<br/>(Some models are not equipped with this facility.)</li> <li>31. EXTRA AC OUTLETS</li> <li>32. GROUND TERMINAL</li> <li>33. AC CORD (Some models are equipped with an AC Inlet instead of an AC cord. Connect with an appropriate power cord.)</li> </ol> |
|--|---|

### IV. PRINCIPAL PARTS LOCATION

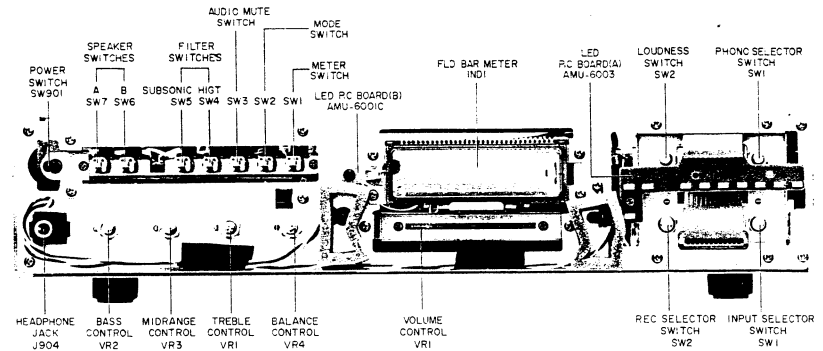


Fig. 2 Front View

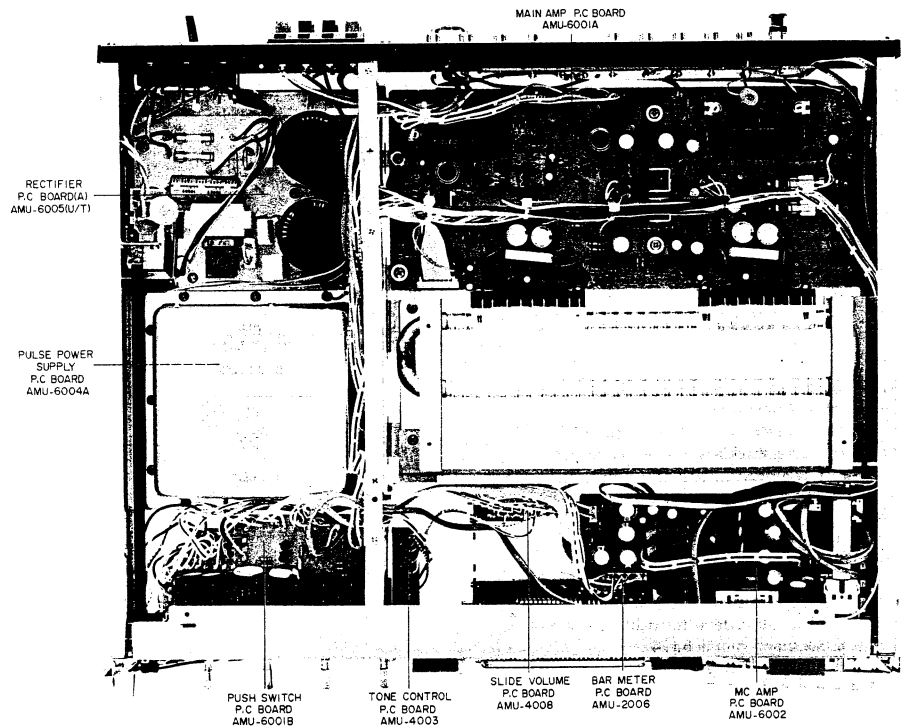


Fig. 3 Top View

## V. VOLTAGE CONVERSION

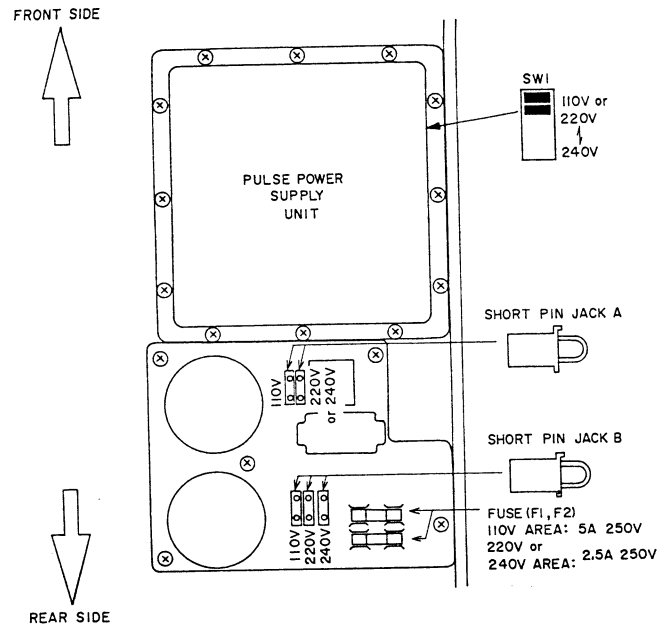


Fig. 4 Voltage Conversion (U/T model)

Models for Canada, USA, Europe, UK, and Australia are not equipped with this facility.

Each machine is preset at the factory according to destination but some machines can be set to 110 V, 220V or 240V as required.

If voltage change is necessary, this can be accomplished as follows.

- 1) Disconnect AC Power Cord.
- 2) Loosen holding screws and remove upper cover.
- 3) Align the short pin jacks A and B with the position for each voltage area as shown in Fig. 4.
- 4) Set the slide switch located at the right hand side of the pulse power supply unit in Fig. 4.
- 5) Change the fuses. 5A for 110V and 2.5A for 220 to 240V following the printed instructions explicitly.

## VI. OPERATION OF PULSE POWER CIRCUIT

The Pulse Power Circuit is composed of a high-voltage rectifier circuit, oscillator starting circuit, inverter circuit (blocking oscillator circuit), transformer circuit, rectifier circuit and smoothing circuit as shown below.

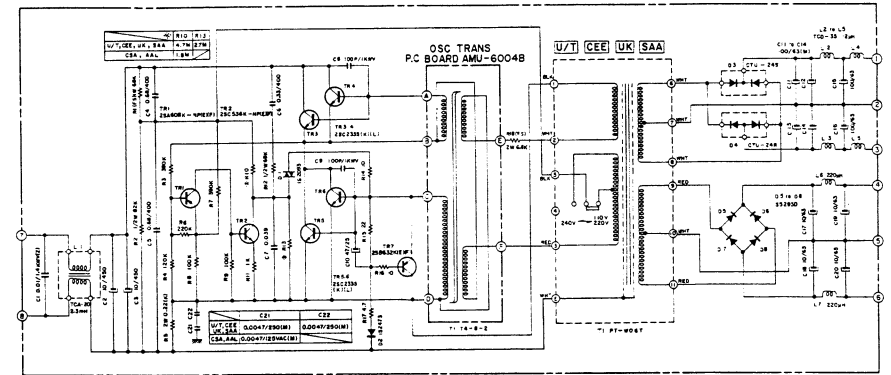


Fig. 5 Schematic Diagram for Power Section

### 1. HIGH-VOLTAGE RECTIFIER CIRCUIT

Either the voltage doubling rectifier system, or the bridge rectifier system is selected according to the difference in the power supply voltage. That is, voltage doubling rectification is adopted for input

voltage of 100 to 120V (for the U.S. Canada and Japan), while bridge rectification is adopted for those of 220 to 240V (for Europe, etc.), to obtain a DC voltage of approximately 300V.

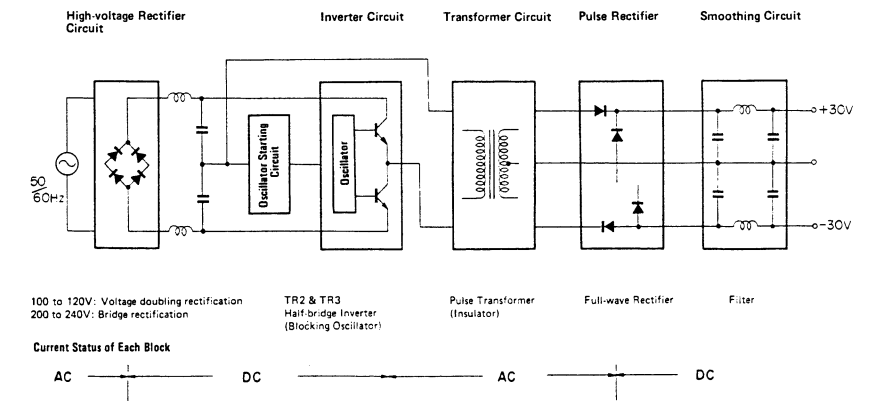


Fig. 6 Block Diagram

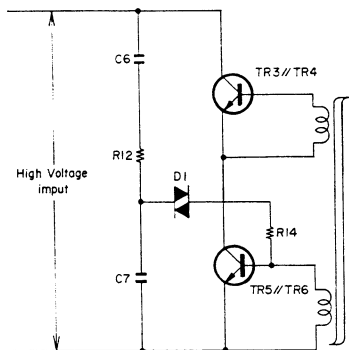


Fig. 7 Principle of Starting Oscillation

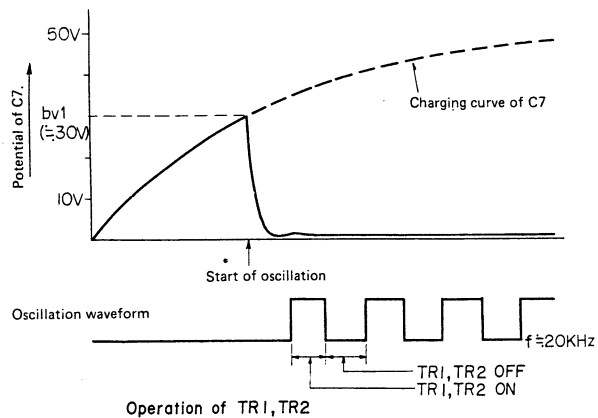


Fig. 9 Operation of TR1

## 2. OSCILLATOR STARTING CIRCUIT

At power switch-on, this circuit creates an initial pulse which starts the inverter circuit of the next stage. D1 is a double-directional trigger diode that quickly turns on when the voltage at both ends exceeds the breakover voltage (approx. 30V) as breakdown voltage flows through it. When the potential of C7 is raised to about 30V by switching-on the power, it will cause a positive trigger pulse to be applied to the bases of TR5/TR6, thereby starting oscillation.

During oscillation, 20 kHz and 300 Vp-p square waves will appear at the intersecting point of TR3/TR4 and TR4/TR5, so that TR1 and TR2 will repeat the 20 kHz switching operation. That is, the potential of C7 will be discharged when they are turned on, whereas C7 will be charged when turned off. For this reason, the potential of C7 will not reach the break-over voltage of D1, as can be seen from Fig. 9, so that D1 will be in a high-impedance state. And the operations of these circuits are absolutely unrelated to those of other circuits.

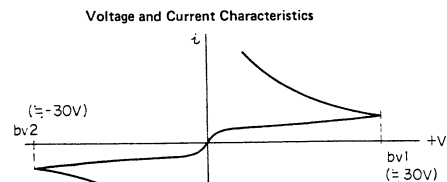


Fig. 8 Diode Characteristics

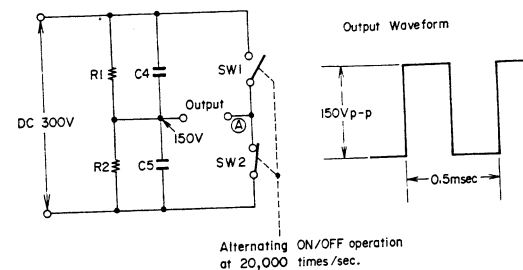


Fig. 10 Principle Diagram of Inverter

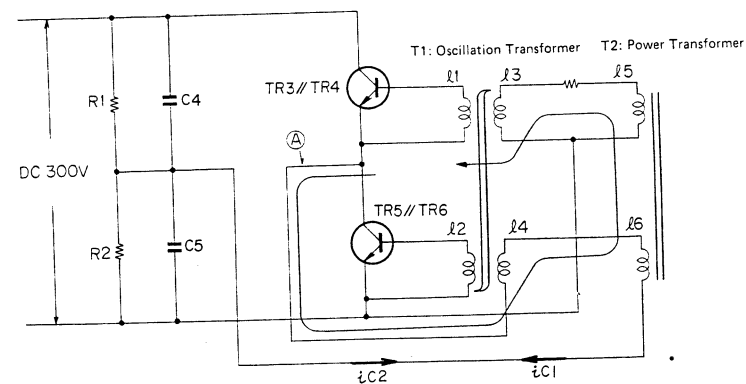


Fig. 11 Basic Schematic Diagram

## 3. INVERTER CIRCUIT (BLOCKING OSCILLATOR CIRCUIT)

As illustrated by Fig. 10, the inverter circuit alternately switches the DC voltage ON and OFF, thus converting it to square wave pulses. The switching is achieved by transistors under the use of a blocking oscillator. The operating principle is shown in Fig. 11. The 300V is divided into 150V and applied to the mid-point of C4 (R1) and C5 (R2). (This will be referred as the mid-point hereinafter.)

First, a trigger pulse is applied to the base of TR3 by the oscillator starting circuit. This causes TR3 to turn on and a collector current  $i_{C2}$  to flow in from the mid-point. Since this current flows from l6 to l4, current will also be induced in l5 and l3. Therefore, this current will be fed back to coil l2 of TR3's base, following flux variations in T1 (Troidal trans-

former) which accompany current variations in l3. As this loop is formed in a direction that realizes positive feedback, collector current  $i_{C2}$  will continue to increase with the increase in the base current of TR3. As a result, the current flowing through l3 will also continue to increase, causing the flux density to become higher and to eventually reach saturation after the passage of a certain time. When the flux saturates so that the flux no longer varies, the l3 to l2 loop will be disconnected as a result. However, even after this positive feedback loop has been disconnected, collector current  $i_{C2}$  will continue to flow for a while, due to the action of the counter electromotive force that works in the direction that permits continued current flow. But, soon, the collector current will start to decrease rapidly.

TR2 ON (TR3 OFF) Period

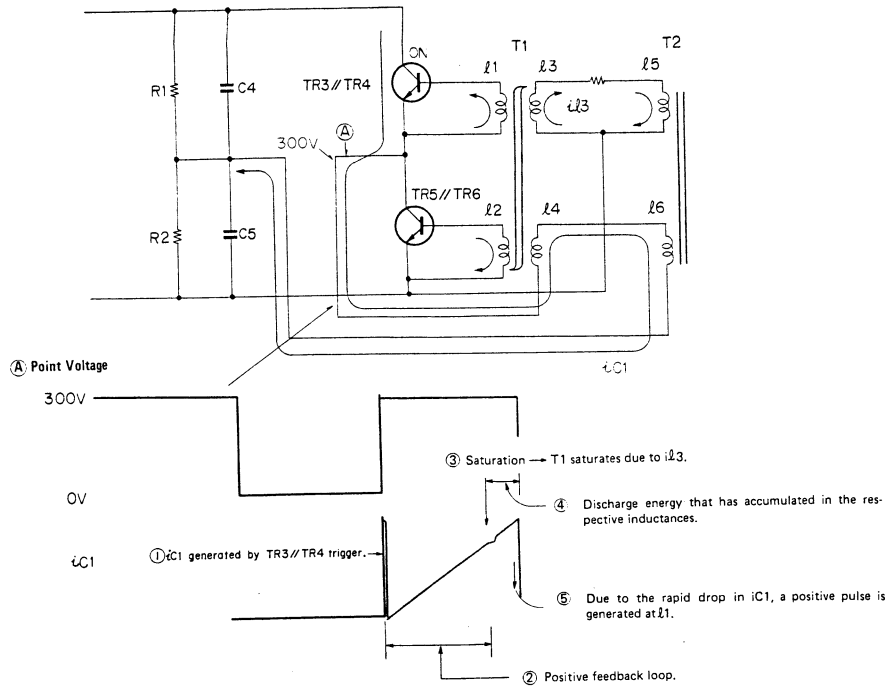


Fig. 12 TR3//TR4 turn-on period

During the above process, TR5//TR6 will be turned on, while TR3//TR4 will be "cut-off". This is because coil l1 of TR3//TR4's base is wound in a direction opposite to which l2 is wound, so that an inverse-direction voltage will be induced for TR3//TR4's base-emitter potential  $V_{BE}$ . For this reason, the potential of the intersecting point of TR3//TR4 and TR5//TR6 will become "0"V. When  $i_{C2}$  starts to decrease rapidly, the resultant flux variation will cause a positive pulse to be generated at l1, which, in turn, will cause TR3//TR4 to turn on and TR5//TR6 to be cut-off.

Likewise, when the collector (emitter) current  $i_{C2}$  flows in the order of l4 to l6 to mid-point, it will cause a positive feedback loop of l6 to l5 to l3 to l1 to be formed, so that a process similar to that just described will take place.

TR5,6 ON (TR2 OFF) Period

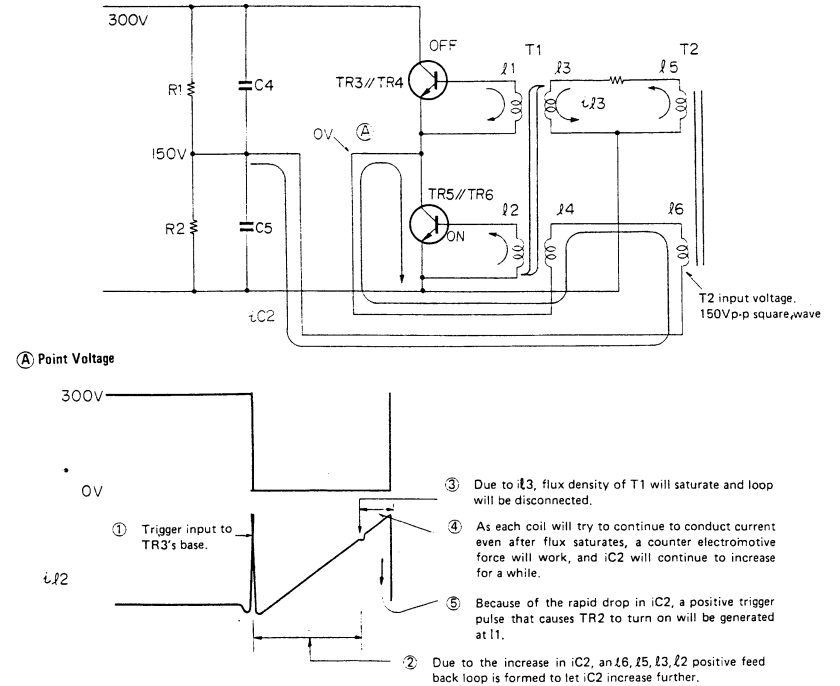


Fig. 13 TR5, 6 turn-on period

In this way, TR3//TR4 and TR5//TR6 will be alternately turned on again and again, causing square waves to be generated. Fig. 13 gives the waveforms appearing at the respective sections during the serial process.

When a potential is produced at R5 (0.22 ohms) due to overload (load shortening, etc.), TR7 goes ON and the base and emitter of TR5//TR6 are shorted, causing the oscillation to stop for overload protection.

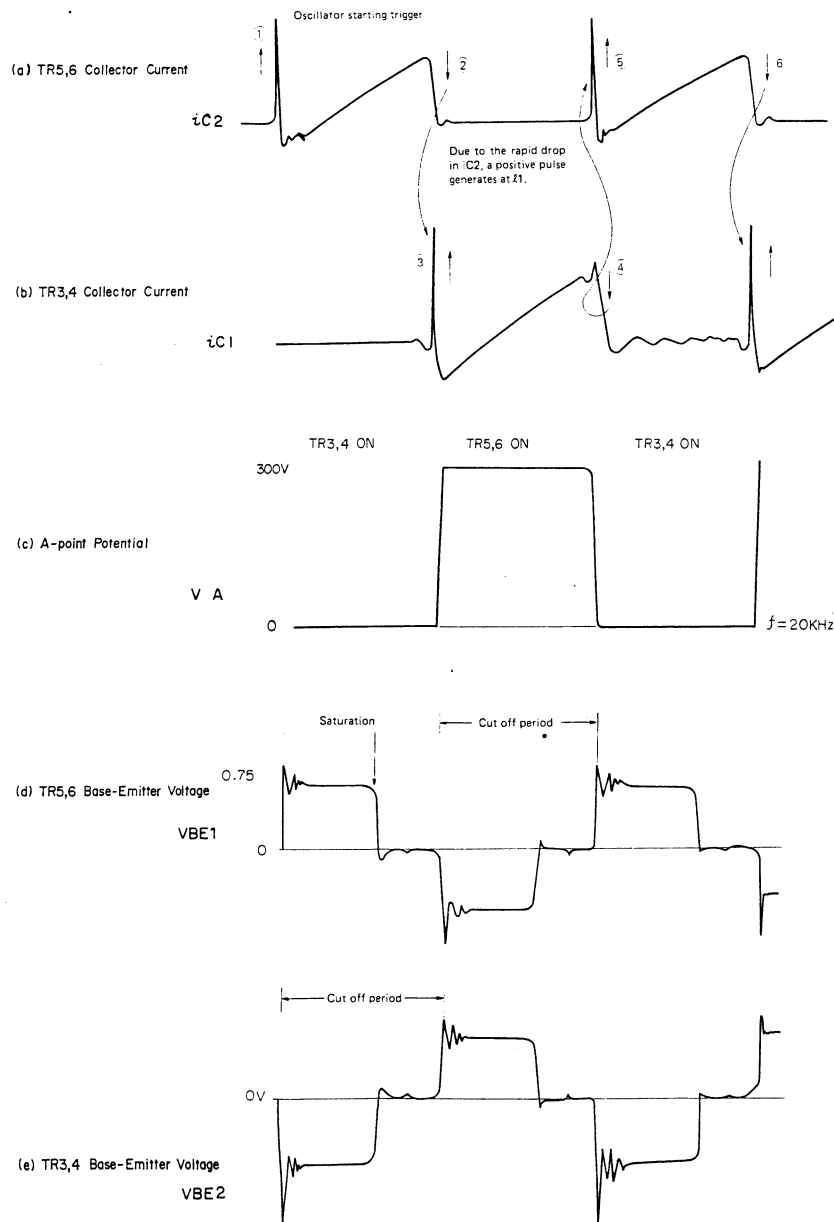


Fig. 14 Summary of waveforms appearing at each section

As shown in (d) and (e), the waveform of the base-emitter voltage of TR311/TR4 and TR5/TR6 will become "0" V upon saturation of T1's flux. In the meantime, the base current will flow in the direction similar to that before saturation, because of the counter electromotive force.

Meanwhile, by having a negative feedback applied at the high frequency range, the capacitor provided between the collector and bases of TR3/TR4 and TR5/TR6 will function so as to hold down the wave height to an adequate level to prevent the peak values from rising above the maximum ratings of the respective transistors.

The oscillating frequency of this circuit is determined by such factors as the maximum flux density of T1 and the current flowing through  $\ell_3$ . It is ordinarily designed to be approximately 20 kHz.

#### 4. TRANSFORMER CIRCUIT

Although it is based on the same principle as that applied to general power transformers, the core material has been changed into ferrite material from the conventional electrical steel plate material to match the input waveform (square wave of approx. 20 kHz). Owing to the high permeability and use of high frequencies, power loss is far less than with conventional transformers. Therefore, it permits miniaturization of circuitry, which is the advantage of using a pulse power supply.

At the same time, the transformer circuit functions to insulate the secondary-side chassis potential from the AC input potential applied to the prime side.

#### 5. RECTIFIER CIRCUIT

Although this is a full-wave rectifier circuit intended for use with both plus and minus power supplied, it employs first recovery diodes having a quick reverse recovery time ( $t_{rr}$ ) to enable high-efficiency rectification of square waves. Ordinary rectifying diodes cannot be used in this circuit.

#### 6. SMOOTHING CIRCUIT

Because of the high frequencies, it enables direct current having a low ripple factor to be obtained with a small-capacity electrolytic capacitor. Since it has to handle square waves and impulsive triggers, and because of large number of harmonics, the pulse power supply is formed into an LPF (smoothing circuit employing a choke coil). At the same time, to avoid interference caused by radiation and induction of electromagnetic waves, the pulse power circuit, excluding the high-voltage rectifier circuit, is enclosed in a shield case to ensure sufficient shield-off. Packing used for the shield case is made of conductive material if it has been damaged during servicing or for other reasons, it must be replaced with new packing. Otherwise, undesirable radiation from the damaged part may cause noise to generate in other circuits.



## VII. LEVEL DIAGRAM

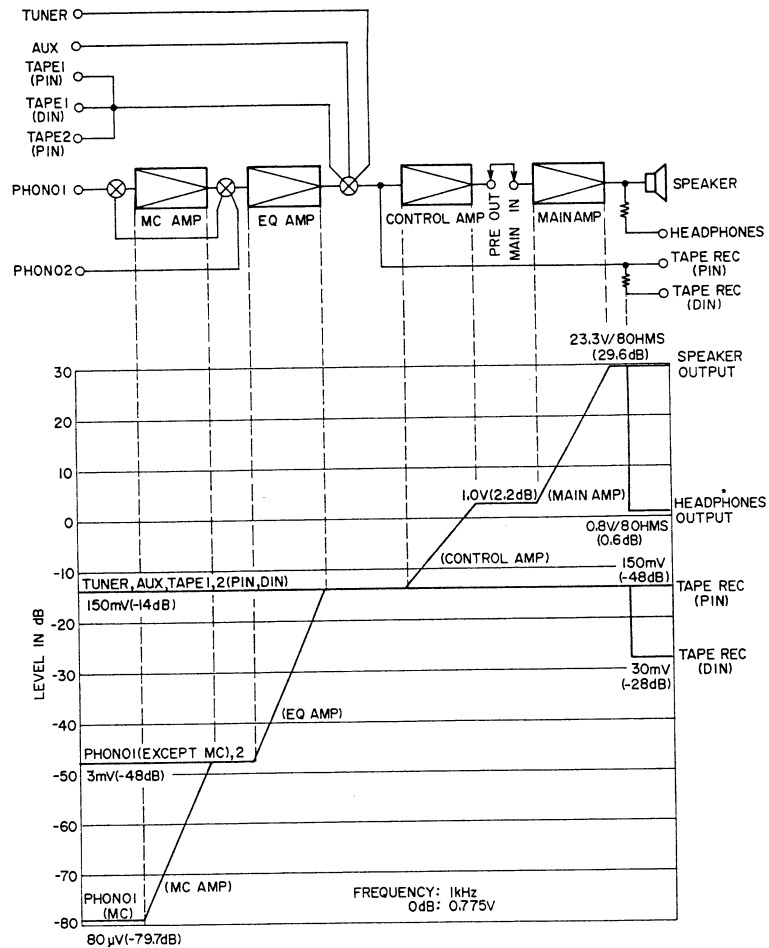


Fig. 15

## VIII. ADJUSTMENTS

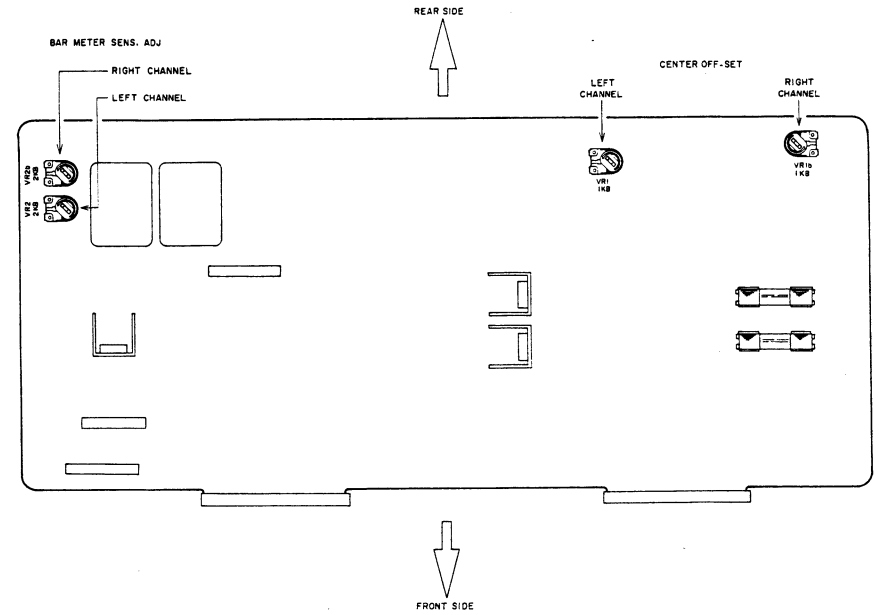


Fig. 16 Main Amp P.C. Board

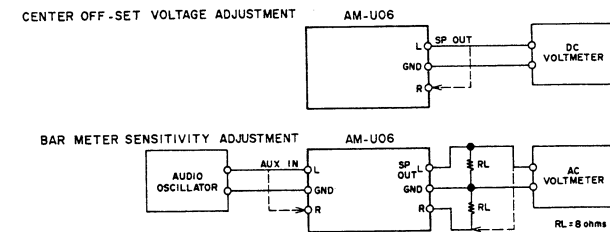


Fig. 17 Instruments connection

### 1. CENTER OFF-SET VOLTAGE ADJUSTMENT (Refer to Figs. 16, 17)

Connect the Digital Voltmeter or DC Voltmeter to the SPEAKER terminals. Adjust the VR1 (L-ch), VR1b (R-ch) on the Main Amp P.C. board, so that the Voltmeter reads  $0 \pm 10$  mV.

### 2. BAR METER SENSITIVITY ADJUSTMENT (Refer to Figs. 16, 17)

Set the METER Switch to "x1" position. Connect load resistors ( $R_L = 8$  ohms) to the SPEAKER terminals, and input a sine wave signal of 1 kHz to the AUX terminal. Control the input signal level until the AC Voltmeter connected to the both ends of the load resistor reads 10.95V. Under this condition, adjust the VR2 (L-ch), VR2b (R-ch) 2k $\Omega$ , so that the BAR METER indicates 15W.

## IX. CLASSIFICATION OF VARIOUS P.C BOARDS

---

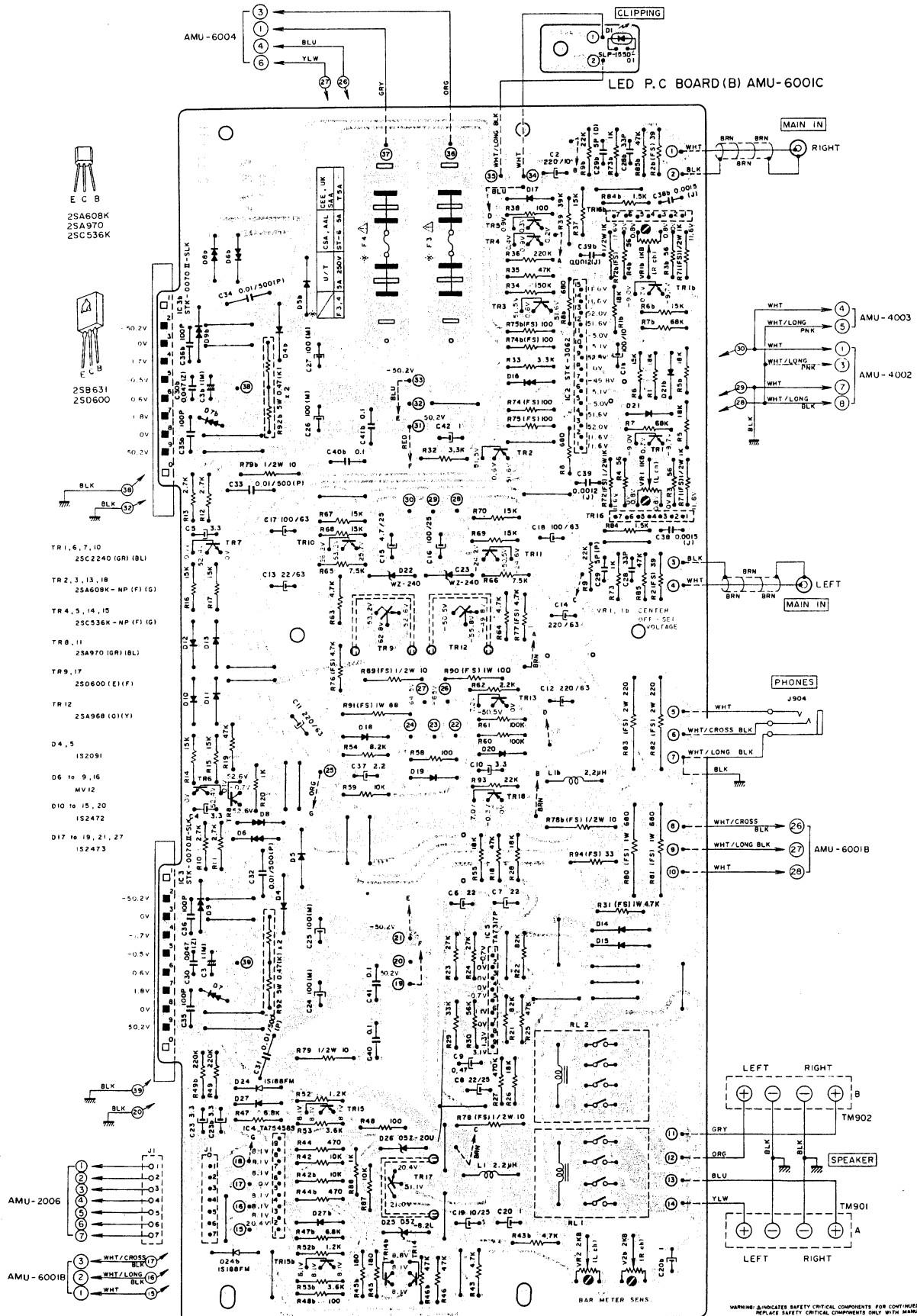
### 1. P.C BOARD TITLES AND IDENTIFICATION NUMBERS

P.C. Board Title	P.C Board Number
Main Amp P.C Board	AMU-6001A
Push Switch P.C Board	AMU-6001B
Led P.C Board (B)	AMU-6001C
MC Amp P.C Board	AMU-6002
LED P.C Board (A)	AMU-6003
Pulse Power Supply P.C Board	AMU-6004A
Rectifier P.C Board (A) (U/T)	AMU-6005
Rectifier P.C Board (C) (CEE, SAA, UK)	AMU-6006
Rectifier P.C Board (B) (CSA, AAL)	AMU-6023
Selector P.C Board	AMU-4002
Tone Control P.C Board	AMU-4003
Pin Jack P.C Board	AMU-4005
Slide Volume P.C Board	AMU-4008
Bar Meter P.C Board	AMU-2006

Chart-1

## 2. COMPOSITION OF VARIOUS P.C BOARDS

### 1) MAIN AMP P.C BOARD AMU-6001A and LED P.C BOARD (B) AMU-6001C

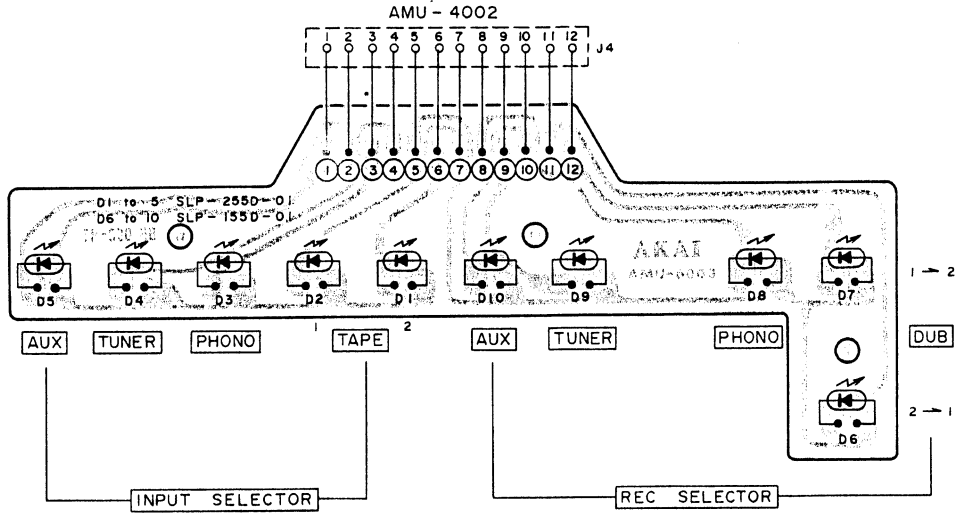


MAIN AMP P.C BOARD AMU-6001A

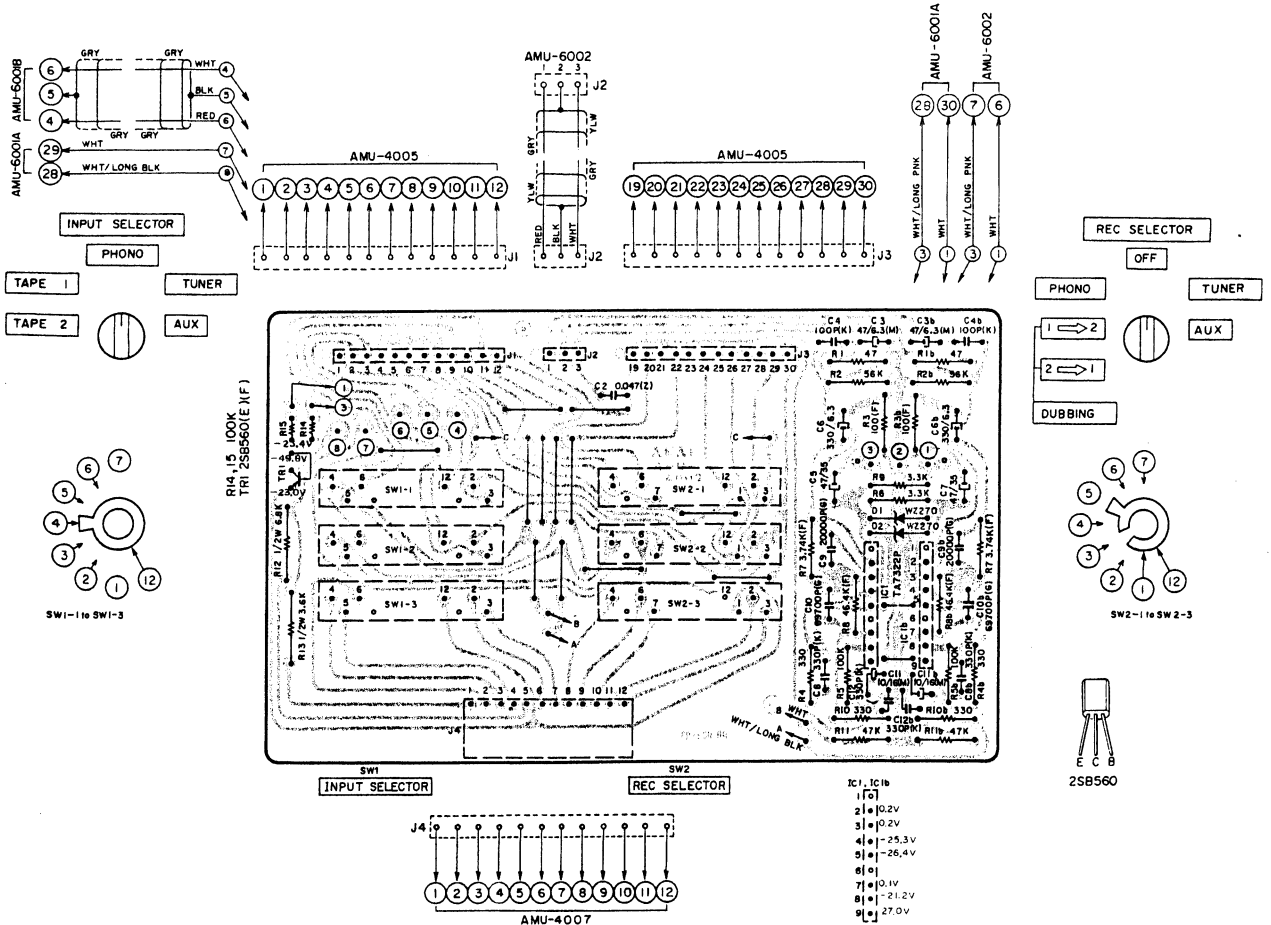
WARNING: Δ INDICATES SAFETY CRITICAL COMPONENTS FOR CONTINUED SAFETY. REPLACE SAFETY CRITICAL COMPONENTS ONLY WITH MANUFACTURER'S RECOMMENDED PARTS.  
 AVERTISSEMENT: Δ INDIQUE LES COMPOSANTS CRITIQUES DE SÛRETÉ. NE REMPLACEZ PAS CES COMPOSANTS SAUF PAR UN ÉQUIVALENT RECOMMANDÉ PAR LE FABRICANT.



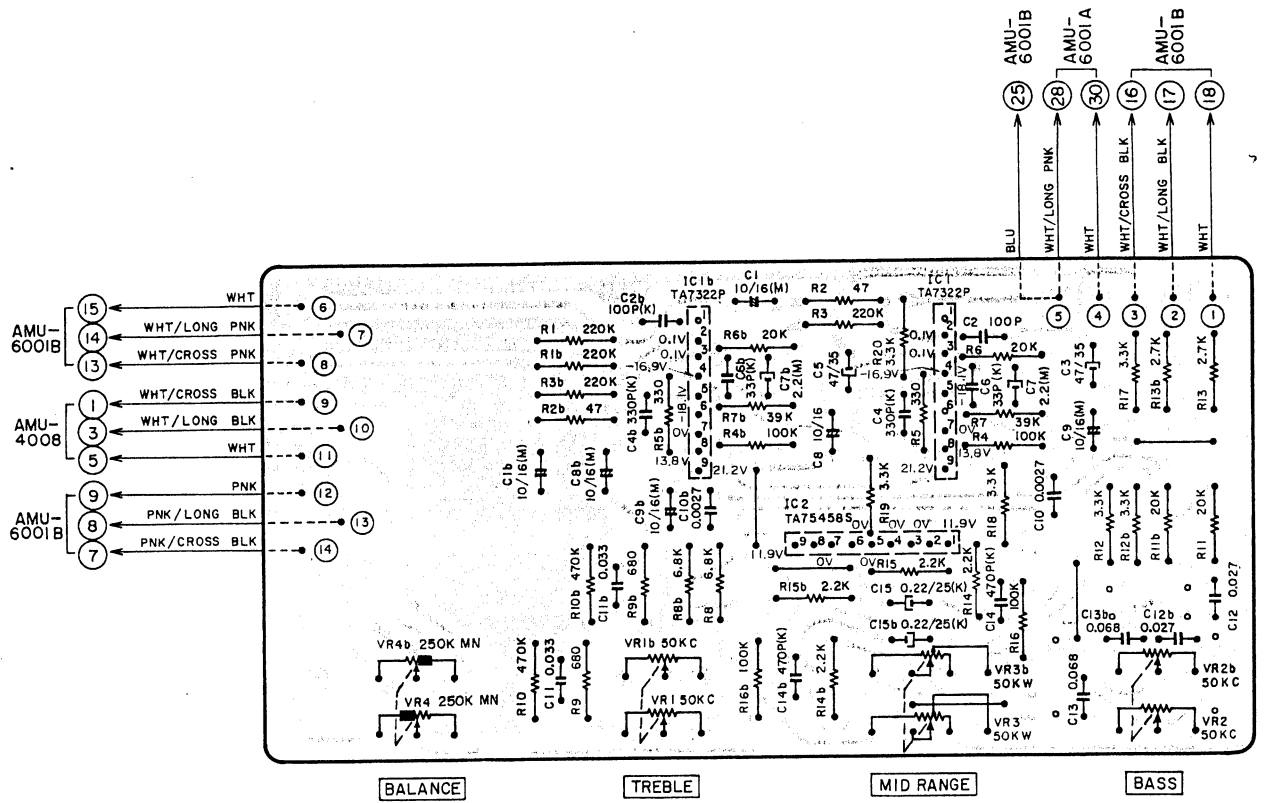
4) LED P.C BOARD (A) AMU-6003



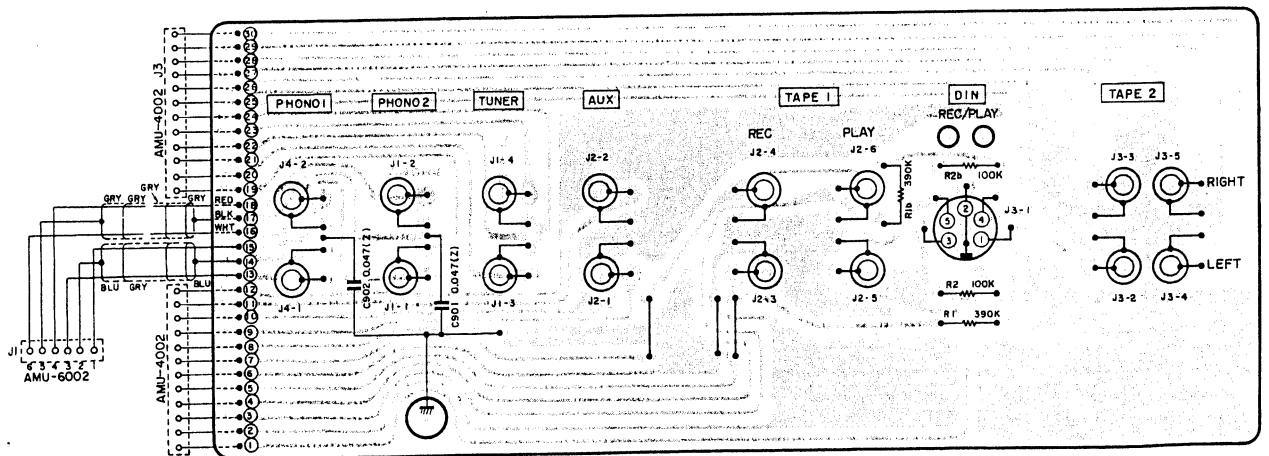
5) SELECTOR P.C BOARD AMU-4002



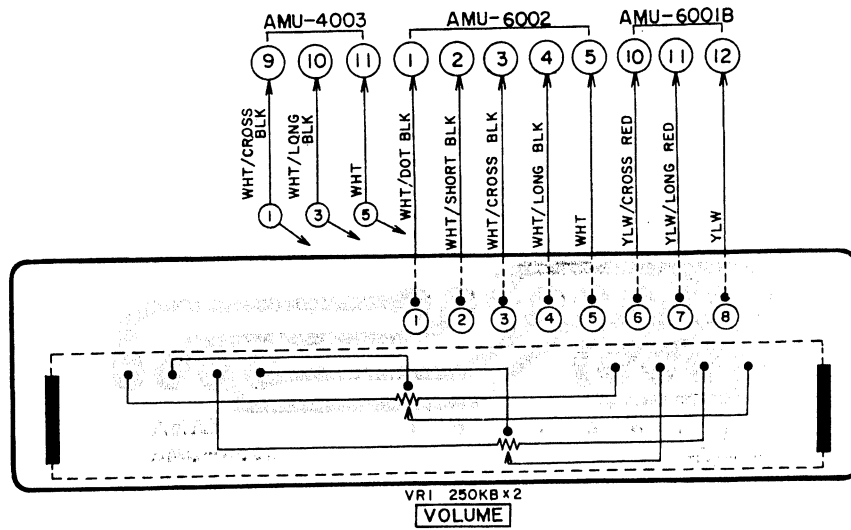
## 6) TONE CONTROL P.C BOARD AMU-4003



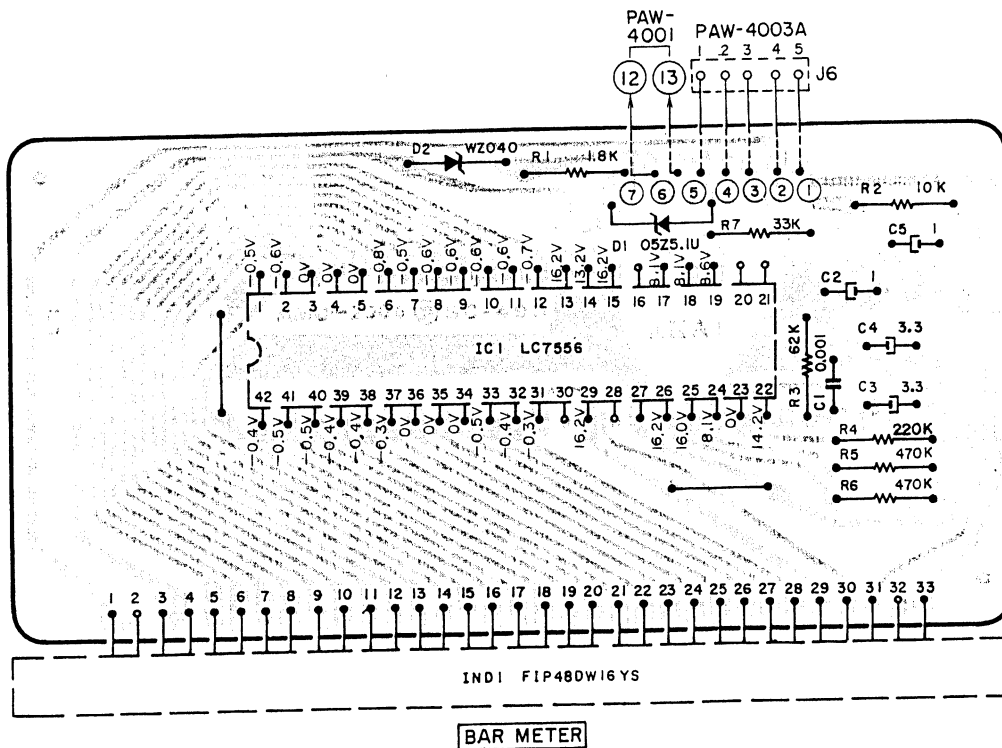
## 7) PIN JACK P.C BOARD AMU-4005



8) SLIDE VOLUME P.C BOARD AMU-4008



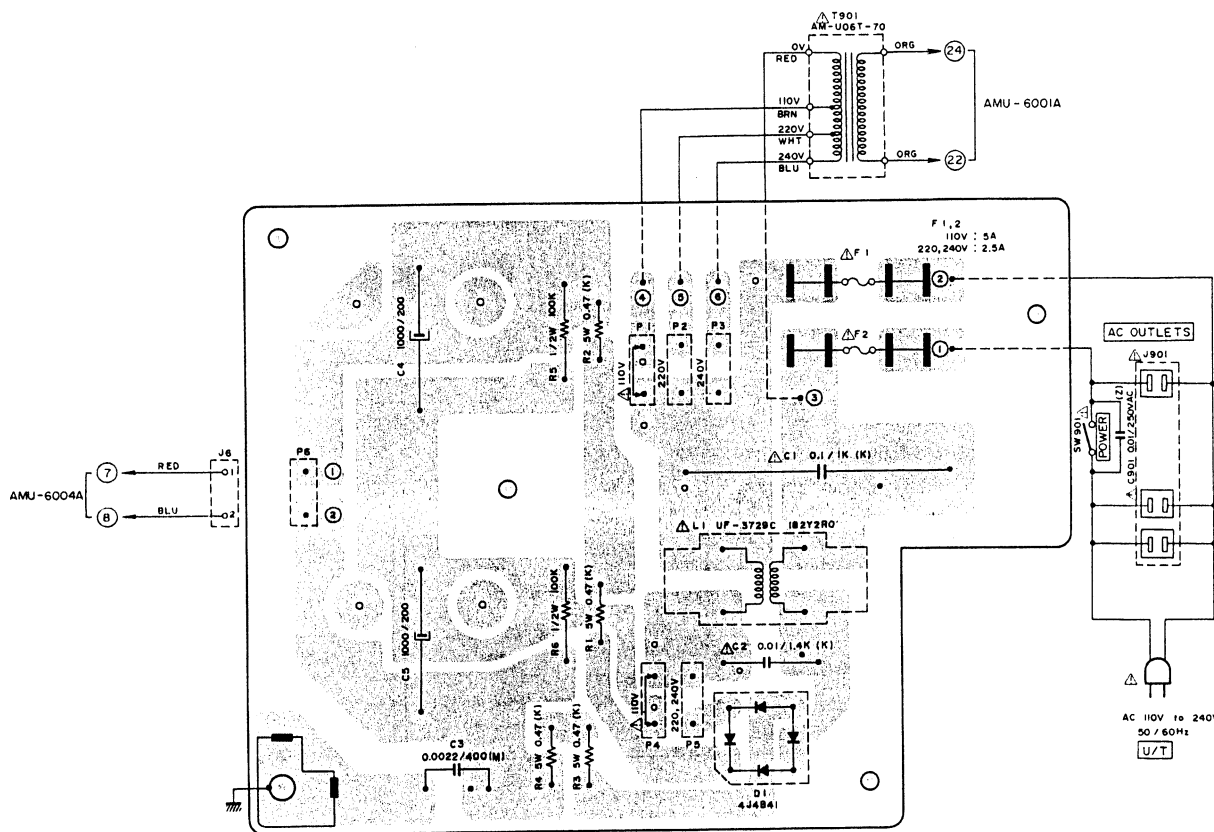
9) BAR METER P.C BOARD AMU-2006



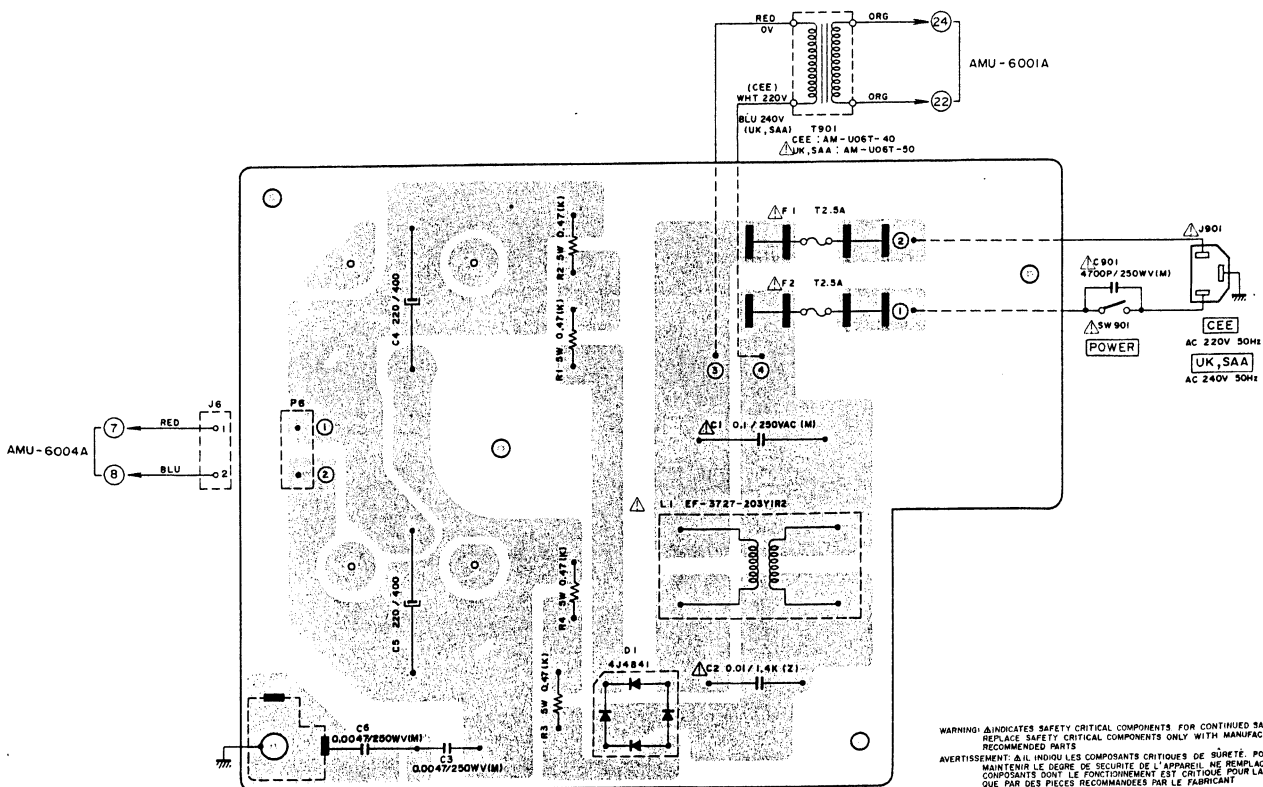




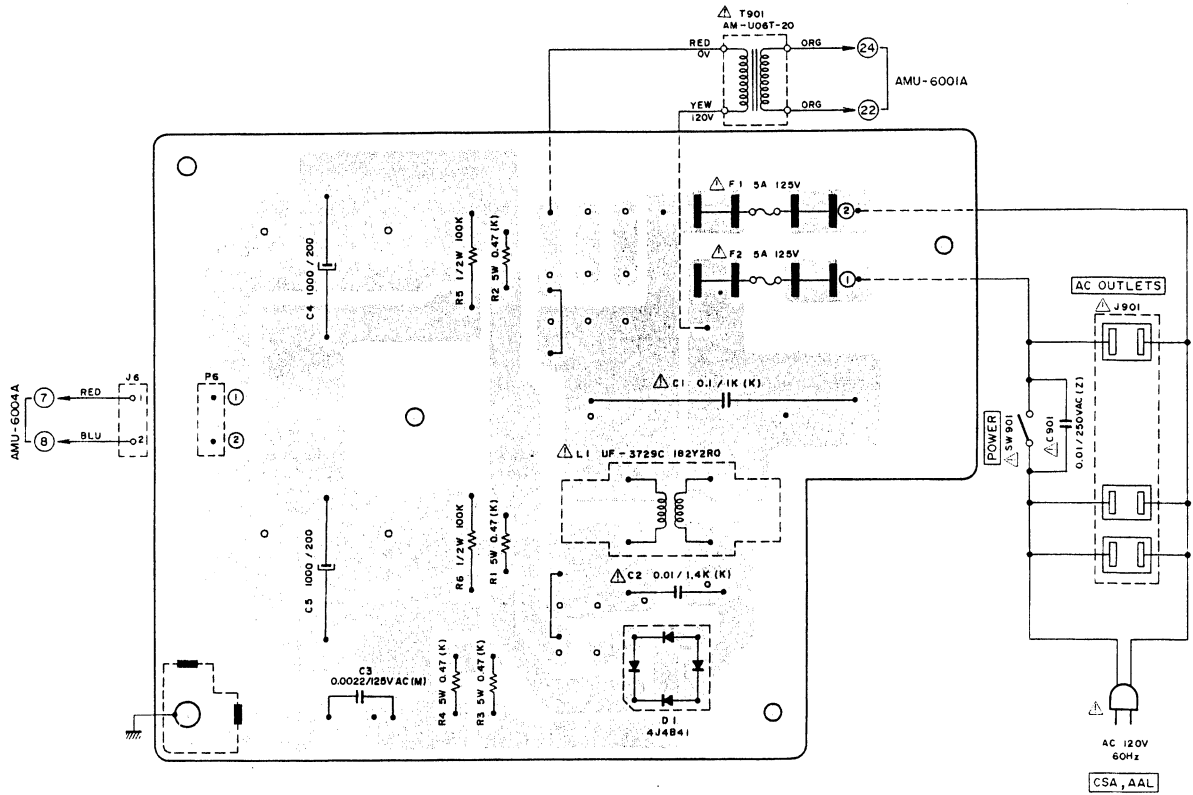
## 11) RECTIFIRE P.C BOARD (A) (U/T) AMU-6005



## 12) RECTIFIER P.C BOARD (C) (CEE, UK, SAA) AMU-6006



13) RECTIFIER P.C BOARD (B) (CSA, AAL) AMU-6023



WARNING: Δ INDICATES SAFETY CRITICAL COMPONENTS FOR CONTINUED SAFETY. REPLACE SAFETY CRITICAL COMPONENTS ONLY WITH MANUFACTURER'S RECOMMENDED PARTS

AVERTISSEMENT: Δ IL INDIQUE LES COMPOSANTS CRITIQUES DE SÛRETÉ. POUR MAINTENIR LE DEGRÉ DE SÛRETÉ DE L'APPAREIL, NE REMPLACER LES COMPOSANTS DONT LE FONCTIONNEMENT EST CRITIQUE POUR LA SÛRETÉ QUE PAR DES PIÈCES RECOMMANDÉES PAR LE FABRICANT

## SECTION 2

**PARTS LIST**

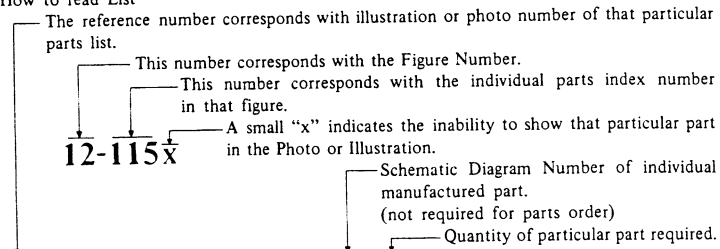
## TABLE OF CONTENTS

1. RECOMMENDED SPARE PARTS LIST	32
2. MAIN AMP P.C BOARD (AMU-6001A) BLOCK	34
3. MC AMP P.C BOARD (AMU-6002) BLOCK	35
4. PULSE POWER SUPPLY P.C BOARD (AMU-6004A) BLOCK	35
5. RECTIFIER P.C BOARD (AMU-6005/6006/6023) BLOCK	36
6. SELECTOR P.C BOARD (AMU-4002) BLOCK	36
7. TONE CONTROL P.C BOARD (AMU-4003) BLOCK	37
8. PUSH SW. P.C BOARD (AMU-6001B) BLOCK	37
9. ASSEMBLY BLOCK	38
10. FINAL ASSEMBLY BLOCK	40
INDEX	41

Resistor and Capacitor which is not listed in this parts list, please refer to COMMON LIST FOR SERVICE PARTS.

## HOW TO USE THIS PARTS LIST

1. This parts list is compiled by various individual blocks based on assembly process.
2. When ordering parts, please describe parts number, serial number, and model number in detail.
3. How to read List



Ref. No.	Parts No.	Description	Schematic No.	Q'ty
<b>FLYWHEEL BLOCK #13</b>				
12-115x	800425	Flywheel Block Assy. Comp.	RDG #13	1
12-116	244506	Flywheel Only	RD-233	1
12-117x	244754	Felt, Flywheel	RD-275	1
12-118	251324	Main Metal Case	RD-236	1
12-119	253080	Main Metal	RD-237	1

4. The symbol numbers shown on the P.C. Board list can be matched with the Composite Views of Components of the Schematic Diagram or Service Manual.
5. Please utilize separate "Common List for Service Parts" for Resistor Parts orders.
6. The shape of the parts and parts name, etc. can be confirmed by comparing them with the parts shown on the Electrical Parts Table of P.C. Board.
7. Both the kind of part and installation position can be determined by the Parts Number. To determine where a parts number is listed, utilize Parts Index at end of Parts List.  
It is necessary first of all to find the Parts Number. This can be accomplished by using the Reference Number listed at right of parts number in the Parts Index. (meaning of ref. no. outlined in Item 3 above).
8. Utilize separate "Price List for Parts" to determine unit price. The most simple method of finding parts Price is to utilize the reference number.

**CAUTION:**

1. When placing an order for parts, be sure to list the parts no., model no., and description. There are instances in which if any of this information is omitted, parts cannot be shipped or the wrong parts will be delivered.
2. Please be careful not to make a mistake in the parts no. If the parts no. is in error, a part different from the one ordered may be delivered.
3. Because parts number and parts unit supply in the Preliminary Service Manual (Basic Parts List) may be partially changed, please use this parts list for all future reference.

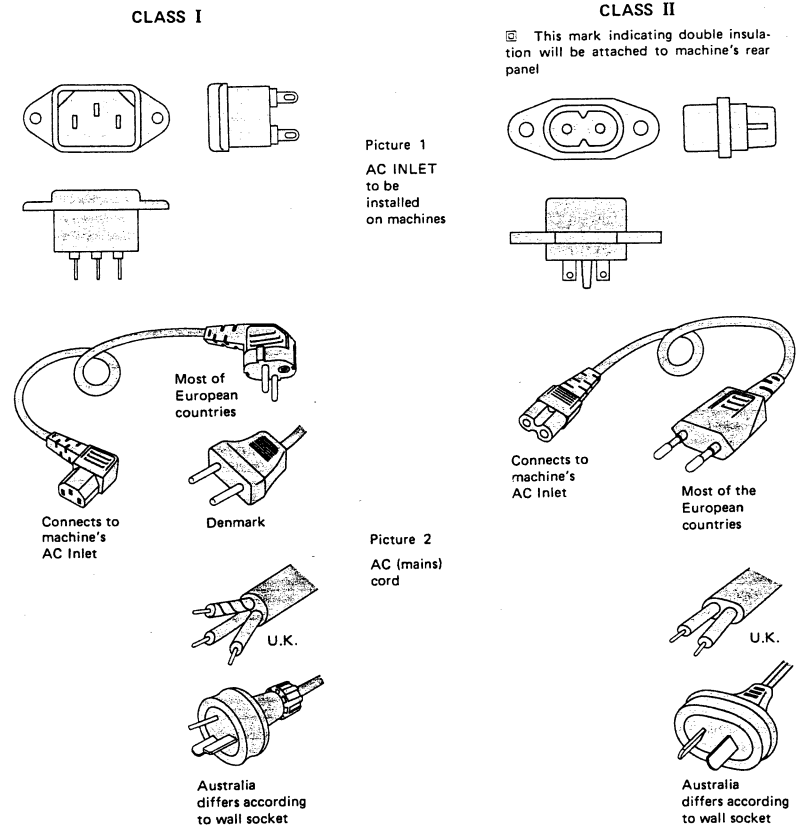
**WARNING:**  $\Delta$  INDICATES SAFETY CRITICAL COMPONENTS. FOR CONTINUED SAFETY, REPLACE SAFETY CRITICAL COMPONENTS ONLY WITH MANUFACTURER'S RECOMMENDED PARTS.

**AVERTISSEMENT:**  $\Delta$  IL INDIQU LES COMPOSANTS CRITIQUES DE SURETE. POUR MAINTENIR LE DEGRE DE SECURITE DE L'APPAREIL NE REMPLACER LES COMPOSANTS DONT LE FONCTIONNEMENT EST CRITIQUE POUR LA SECURITE QUE PAR DES PIECES RECOMMANDEES PAR LE FABRICANT.

## AC INLET SYSTEM

This model is equipped with an AC INLET SYSTEM. Please refer to the AC INLET SYSTEM CHART below for the specific type. By the AC INLET SYSTEM, AC (mains) cord can be connected to and disconnected from the model because the model is provided with socket exclusively for AC (mains) cord on its main body. Please note, however, that certain models are not equipped with this system and has a built-in AC (mains) cord as before.

### AC INLET SYSTEM CHART



#### Parts List for AC (mains) Cord Set

	Standard	Description	Type of AC Inlet	Parts No.
Class I	CEE	Cord Set CEE (3 cores)	3P	EW302993
	BEAB	Cord Set BEAB (3 cores)	3P	EW302994
	SAA	Cord Set SAA (3 cores)	3P	EW302996
	U/T	Cord Set U/T (3 cores)	3P	EW302646
Class II	CEE	Cord Set CEE (2 cores)	2P	EW638144
	BEAB	Cord Set BEAB (2 cores)	2P	EW302995
	SAA	Cord Set SAA (2 cores)	2P	EW302991
	U/T	Cord Set U/T (2 cores)	2P	EW302899

## 1. RECOMMENDED SPARE PARTS LIST

Because, if the parts listed below are on hand, almost any repair can be accomplished, we suggest that you stock these Recommended Spare Parts Items.

Parts No.	Description	Notes
BA320373	Main Amp P.C Board Comp. AM-U06 (CEE)	CEE, UK, SAA
BA320374	Main Amp P.C Board Comp. AM-U06 (CSA)	CSA, AAL
BA320352	Main Amp P.C Board Comp. AM-U06 (U/T)	
BT326589	△ Power Trans. AM-U06T-20	CSA, AAL
BT326590	△ Power Trans. AM-U06T-40	CEE
BT326591	△ Power Trans. AM-U06T-50	UK, SAA
BT326592	△ Power Trans. AM-U06T-70	U/T
BT326607	Pulse Trans. PT-W06T	
EC326583	△ Metallized Mylar/C. (Vert.) 0.047μF (K) 400WV	CSA, AAL
ED562386	Germanium Diode 1S188AM	
ED322772	LED SLP-155D-01	
ED322773	LED SLP-255D-01	
ED323513	Silicon Diode CTU-24R	
ED323512	Silicon Diode CTU-24S	
ED325275	Silicon Diode S5295D	
ED323056	Silicon Diode 1S2091	
ED214457	Silicon Diode 1S2472	
ED624903	Silicon Diode 1S2473	
ED560913	Silicon Diode 1S2473 VE	
ED326605	Silicon Stack 4J4B41	
ED323057	Silicon Varister MV12	
ED323573	Trigger Diode 1S2093	
ED242368	Zener Diode WZ-240	
ED323059	Zener Diode WZ-270	
ED323534	Zener Diode 05Z-20U	
ED323535	Zener Diode 05Z-8.2L	
EF459843	△ Fuse ST-6 5A	CSA, AAL
EF306951	△ Fuse 2.5A 250V	U/T
EF326613	△ Fuse 5A 250V	U/T
EF623125	△ Fuse (Semko T) 2.5AT	CEE, UK, SAA
EF249851	△ Fuse (Semko T) 5AT	CEE, UK, SAA
EI326597	IC STK-0070(2)-SL	
EI326595	IC STK-3062	
EI323564	IC TA7317P	
EI323054	IC TA7322P	
EI322599	IC TA75458S	
EI325947	Osc. Trans. P.C Board Assy AM-U06	
EJ240535	△ 3-Throw AC Outlet	U/T, CSA, AAL
EJ296853	△ 3P Inlet CM-3	CEE, UK, SAA
EJ323145	DIN 5P, Pin Jack 4P	

Parts No.	Description	Notes
EJ301199	Headphone Jack 3P64M	
EJ326596	Pin Jack 2P	
EJ323143	Pin Jack 4P	
EJ323144	Pin Jack 6P	
EJ322582	Push Terminal 4P	
EL326611	Lamp (Cord) 8V 50mA (550mm×2)	
EO326617	Phase Compensation Coil 2.2μH (K)	
EP313565	Relay MS4U 48V DC	
ES324162	△ Push SW. SDG-1P TV-5	U/T
ES679566	△ Push SW. SDG1P TV-5	CSA, AAL
ES310839	△ Push SW. SDG1P-E 5A/80A 250V	CEE, UK, SAA
ES326587	Rotary Slide SW. SRZR044S	
ES326586	Rotary Slide SW. SRZW45S	
ES323062	Rotary SW. SRJ3035	
ES323063	Rotary SW. SRJ3036	
ES306725	Slide SW. J-S4017	
ES326593	7-Throw Push SW. J-K2113	
ET311792	FET 2SK150 (GR) (Y) (BL)	
ET323529	Transistor 2SA608K-NP (E) (F)	
ET322244	Transistor 2SA608K-NP (F) (G)	
ET311791	Transistor 2SA968 (O) (Y)	
ET305463	Transistor 2SA970 (GR) (BL)	
ET219868	Transistor 2SB560 (E) (F)	
ET322598	Transistor 2SB632K (E) (F)	
ET307195	Transistor 2SC2240 (GR) (BL)	
ET323572	Transistor 2SC2335 (K)	
ET316171	Transistor 2SC536K-NP (E) (F)	
ET316643	Transistor 2SC536K-NP (F) (G)	
ET323105	Transistor 2SD600 (E) (F)	
EV478686	Semi-Fixed/Vol. V8K4-1 1kB	
EV464196	Semi-Fixed/Vol. V8K4-1 2kB	
EV324346	Single-Axial 2-Throw/Vol. V16L4G3N 250kZ×2	
EV323061	2-Throw Slide/Vol. WSDA119F02 250k (Special)×2	
EV323053	2-Throw/Vol. GM70ED78A 50kW×2	
EV323051	2-Throw/Vol. GM70E838A-50kC×2	
EV323052	2-Throw/Vol. GM70E839A-50kC×2	
EW306428	△ AC Cord (U/T)	
EW305691	△ AC Cord CUL	CSA, AAL

2. MAIN AMP P.C BOARD (AMU-6001A)

BLOCK

Symbol No.	Parts No.	Description	Schematic No.
2-1	BA320352	Main Amp P.C Board Comp. AM-U06 (U/T)	AMU-6038
2-2	BA320374	Main Amp P.C Board Comp. AM-U06 (CSA, AAL)	AMU-6038
2-3	BA320373	Main Amp P.C Board Comp. AM-U06 (CEE)	AMU-6038
2-IC2	EI326595	IC STK-3062	45-8-481
2-IC4	EI322599	IC TA75458S	45-8-415
2-IC5	EI323564	IC TA7317P	45-8-424
2-TR1	ET307195	Transistor 2SC2240 (GR)(BL)	45-1-302
2-TR2,3	ET322244	Transistor 2SA608K-NP(F)(G)	45-1-375
2-TR4,5	ET316643	Transistor 2SC536K-NP(F)(G)	45-1-362
2-TR6,7	ET307195	Transistor 2SC2240(GR)(BL)	45-1-302
2-TR8	ET305463	Transistor 2SA970(GR)(BL)	45-1-303
2-TR9	ET323105	Transistor 2SD600(E)(F)	45-1-383
2-TR10	ET307195	Transistor 2SC2240(GR)(BL)	45-1-302
2-TR11	ET305463	Transistor 2SA970(GR)(BL)	45-1-303
2-TR12	ET311791	Transistor 2SA968(O)(Y)	45-1-338
2-TR13	ET322244	Transistor 2SA608K-NP(F)(G)	45-1-375
2-TR14,15	ET316643	Transistor 2SC536K-NP(F)(G)	45-1-362
2-TR16	ET311792	FET 2SK150(GR)(Y)(BL)	45-12-22
2-TR17	ET323105	Transistor 2SD600(E)(F)	45-1-383
2-TR18	ET322244	Transistor 2SA608-NP(F)(G)	45-1-375
2-D4,5	ED323056	Silicon Diode 1S2091	45-3-66
2-D6to9	ED323057	Silicon Varister MV12	45-10-16
2-D10to15	ED214457	Silicon Diode 1S2472	45-3-41
2-D16	ED323057	Silicon Varister MV12	45-10-16
2-D17to19	ED624903	Silicon Diode 1S2473	45-3-28
2-D20	ED214457	Silicon Diode 1S2472	45-3-41
2-D21	ED624903	Silicon Diode 1S2473	45-3-28
2-D22,23	ED242368	Zener Diode WZ-240	45-6-37
2-D24	ED562386	Germanium Diode 1S188AM	45-3-24
2-D25	ED323535	Zener Diode 05Z-8.2L	45-6-76
2-D26	ED323534	Zener Diode 05Z-20U	45-6-76
2-D27	ED624903	Silicon Diode 1S2473	45-3-28
2-VR1	EV478686	Semi-Fixed/Vol. V8K4-1 1kB	36-10-266
2-VR2	EV464196	Semi-Fixed/Vol. V8K4-1 2kB	36-10-266
2-RL1,2	EP313565	Relay MS4U 48V DC	47-1-39
2-L1	EO326617	Phase Compensation Coil 2.2μH(K)	23-1-424
2-R2	ER326615	Carbon/R. F 1/4WS 39 ohms(J)	35-11-30
2-R31	ER313774	Metal Oxide Film/R. F 1W 4.7k (J)	35-19-1
2-R71,72	ER323074	Carbon/R. F 1/4WS 1k(J)	35-11-30
2-R74,75	ER322591	Carbon/R. F 1/4WS 100 ohms(J)	35-11-30
2-R76,77	ER323075	Carbon/R. F 1/4WS 4.7k (J)	35-11-30
2-R78	ER308875	Carbon/R. F 1/2W 10 ohms(J)	35-11-27
2-R80,81	ER326616	Metal Oxide Film/R. F 1W 680 ohms(J)	35-19-4
2-R82,83	ER328138	Metal Oxide Film/R. F 2W 220 ohms(J)	35-19-5
2-R89	ER308875	Carbon/R. F 1/2W 10 ohms(J)	35-11-27

3. MC AMP P.C BOARD (AMU-6002) BLOCK

Symbol No.	Parts No.	Description	Schematic No.
3-TR1	ET305463	Transistor 2SA970(GR)(BL)	45-1-303
3-TR2,3	ET307195	Transistor 2SC2240(GR)(BL)	45-1-302
3-TR4	ET305463	Transistor 2SA970(GR)(BL)	45-1-303
3-D1	ED323057	Silicon Varister MV12	45-10-16
3-SW1	ES-326586	Rotary Slide SW. SRZW45S	25-6-197
3-SW2	ES326587	Rotary Slide SW. SRZR044S	25-6-198
3-C8,9	EC324922	NP/C. 4.7μF(M) 50WV	24-17-35
3-C14	EC324109	Styrol/C. 180PF(J) 50WV	24-11-17
3-C15	EC314995	Styrol/C. 330PF(J) 50WV	24-11-17
2-R90	ER323996	Metal Oxide Film/R. F 1W 100 ohms(J)	35-19-4
2-R91	ER324359	Metal Oxide Film/R. F 1W 56 ohms(J)	35-19-4
2-R92	ER322590	Cement/R. (Metal Plate) 5W (0.47+0.47) ohms(K)	35-16-84
2-R94	ER325114	Carbon/R. F 1/4WS 33 ohms(J)	35-11-30
2-C3	EC657044	NP/C. (Vert.) 1μF(M) 50WV	24-17-26
2-C31to34	EC204671	Ceramic/C. DD31-4E 0.01μF(P) 500WV	24-6-66
2-4	ZS325495	Tapping Screw, #2 BR 3x6	
2-5	ZS447840	Tapping Screw, #2 BR 3x8	

4. PULSE POWER SUPPLY P.C BOARD (AMU-6004A) BLOCK

Symbol No.	Parts No.	Description	Schematic No.
4-TR1	ET323529	Transistor 2SA608K-NP(E)(F)	45-1-375
4-TR2	ET316171	Transistor 2SC536K-NP(E)(F)	45-1-362
4-TR3to6	ET323572	Transistor 2SC2335(K)	45-1-381
4-TR7	ET322598	Transistor 2SB632K(E)(F)	45-1-374
4-D1	ED323573	Trigger Diode 1S2093	45-3-65
4-D2	ED560913	Silicon Diode 1S2473 VE	45-3-23
4-D3	ED323512	Silicon Diode CTU-24S	45-2-101
4-D4	ED323513	Silicon Diode CTU-24R	45-2-102
4-D5to8	ED325275	Silicon Diode S5295D	45-2-105
4-T1	EI325947	OSC. Trans. P.C Board Assy AM-U06	AMU-6034
4-T1	BT326607	Pulse Trans. PT-W06T	23-1-418
4-SW1	ES306725	Slide SW. J-S4017	25-3-157
4-L1	EO325281	Choke Coil TCA-20	23-1-411
4-L2to5	EO325278	Inductor TCD-35	23-1-412
4-L6	EO325280	Choke Coil 220μH	23-1-413
4-R1	ER325277	Metal Oxide Film/R. F 1W 68k (J)	35-19-1
4-R5	ER324222	Metal Plate/R. 2W 0.22 ohm(K)	35-16-38
4-R18	ER325288	Metal Oxide Film/R. F 2W 6.8 ohms(J)	35-19-2
4-C2,3	EC326608	Elect./C. (Vert.) 10μF 450WV	24-12-76
4-C4,5	EC326609	Metallized Mylar/C. (Vert.) 0.68μF(K) 400WV	24-16-28
4-C6	EC325316	Metallized Mylar/C. (Vert.) 0.33μF(K) 400WV	24-16-28
4-C8,9	EC323517	Ceramic/C. (Vert.) DP3100 B 100PF(K)	24-5-101
4-C21	EC325286	Ceramic/C. (Vert.) HS D 0.0022μF(M) 400WV (U/T, CEE, UK, SAA)	24-5-104
4-C21	EC325266	Ceramic/C. DE7100 0.0047μF(P) 125VAC (CSA, AAL)	24-5-87
4-1	ZG323474	Hold Spring	UCW-5023
4-2	ZS419670	Screw, Pan 3x12	
4-3	ZS380046	Screw, Pan 3x10	
4-4	ZS379350	Screw, Pan 3x6	
4-5	ZS558101	Screw, Pan 3x6 w/Washer	
4-6	TA323481	Packing (A)	UCW-5029

**5. RECTIFIER P.C BOARD  
(AMU-6005/6006/6023) BLOCK**

Symbol No.	Parts No.	Description	Schematic No.
5-D1	ED326605	Silicon Stack 4J4B41	45-2-106
5-L1	ER325265	Δ Power Filter UF-3729 C 182Y2R0 (U/T, CSA, AAL)	23-1-415
5-L1	ER325268	Δ Power Filter EF-3727-203Y1R2 (CEE, UK, SAA)	23-1-414
5-R1to4	ER622978	Metal Plate/R. MPC71F1 5W 0.47 ohm(K)	35-16-48
5-C1	EC323557	Δ Oil Paper/C. 0.1μF(K) 1kVW (U/T)	24-8-7
5-C1	EC326827	Δ Metallized Mylar/C. (Vert.) 0.1μF(M)	24-16-30
5-C1	EC258298	Δ MP/C. PEM271 0.1μF(M) 250WV (CEE, UK, SAA)	24-9-118
5-C2	EC325671	MP/C. (Vert.) 0.01μF(M) 250WV (U/T)	24-9-134
5-C2	EC314688	Ceramic/C. DE7150 FZ 0.01μF(P) 125WV (CSA, AAL)	24-5-87
5-C2	EC325671	MP/C. (Vert.) 0.01μF(M) 250WV (CEE, UK, SAA)	24-9-134
5-C3	EC325286	Ceramic/C. (Vert.) HS D 0.0022μF(M) 400WV (U/T, CEE, UK, SAA)	24-5-104
5-C3	EC326828	Ceramic/C. DE7100 F 0.0022μF(M) 125VAC (CSA, AAL)	24-5-87
5-C4,5	EC326604	Elect./C. 1000μF 200WV (U/T, CSA, AAL)	24-12-74
5-C4,5	EC326606	Elect./C. 220μF 400WV (CEE, UK, SAA)	24-12-75

**6. SELECTOR P.C BOARD  
(AMU-4002) BLOCK**

Symbol No.	Parts No.	Description	Schematic No.
6-IC1	EI323054	IC TA7322P	45-8-419
6-TR1	ET219868	Transistor 2SB560(E)(F)	45-1-232
6-D1,2	ED323059	Zener Diode WZ-270	45-6-67
6-SW1	ES323062	Rotary SW. SRJ3035	25-6-191
6-SW2	ES323063	Rotary SW. SRJ3036	25-6-192
6-R3	ER323067	Metal Oxide Film/R. 1/4W 100 ohms(F)	35-17-20
6-R7	ER323351	Metal Oxide Film/R. 1/4W 3.74k (F)	35-17-20
6-R8	ER323069	Metal Oxide Film/R. 1/4W 46.4 ohms(F)	35-17-20
6-C3	EC318358	NP/C. 47μF(M) 6.3WV	24-17-35
6-C9	EC324102	Polypropylene/C. (Vert.) 0.02μF(G) 50WV	24-22-10
6-C10	EC324103	Polypropylene/C. (Vert.) 0.0697μF(G) 50WV	24-22-10
6-C11	EC323055	NP/C. 10μF(M) 16WV	24-17-35

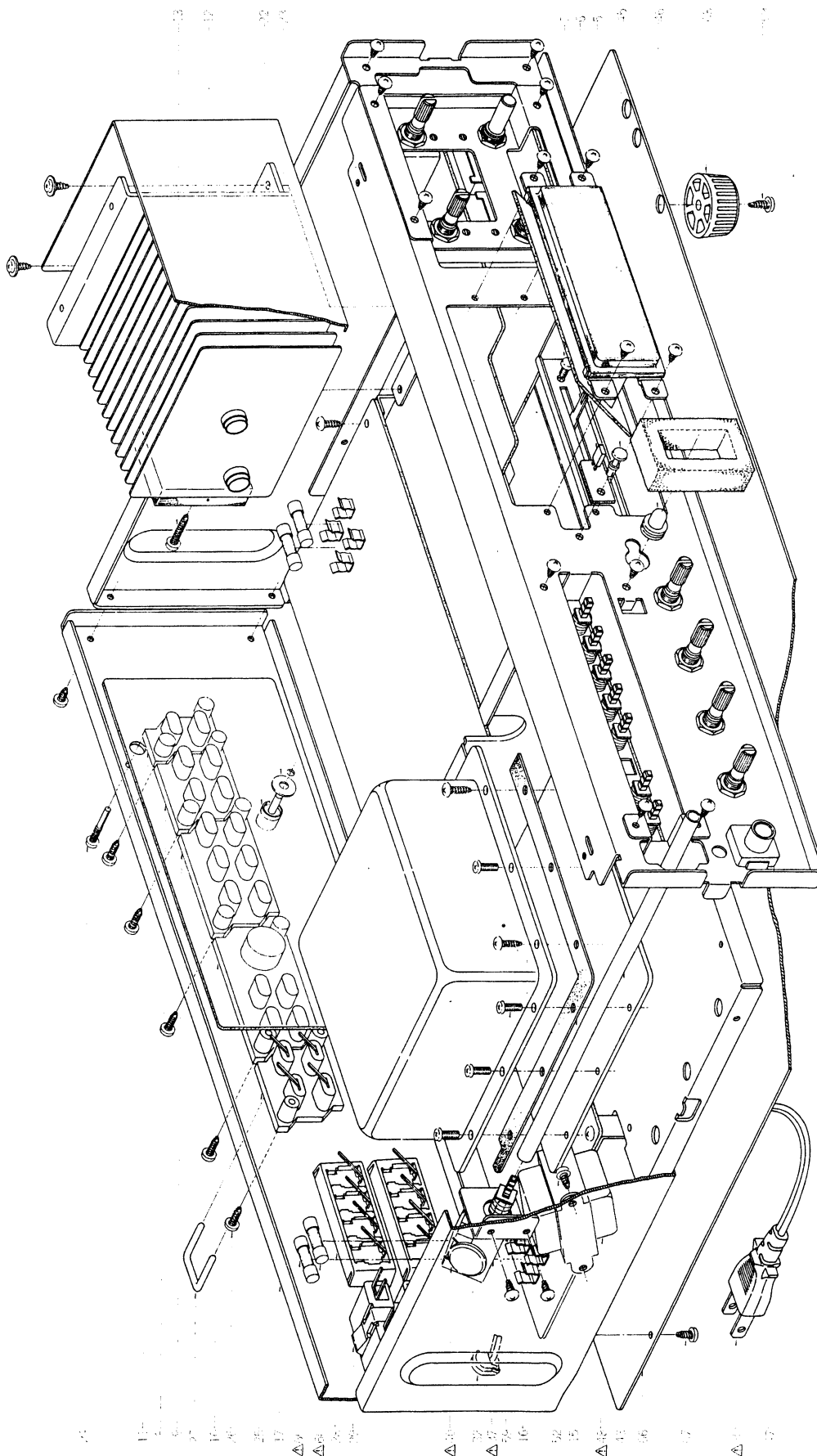
**7. TONE CONTROL P.C BOARD  
(AMU-4003) BLOCK**

Symbol No.	Parts No.	Description	Schematic No.
7-IC1	EI323054	IC TA7322P	45-8-419
7-IC2	EI322599	IC TA75458S	45-8-415
7-VR1	EV323051	2-Throw/Vol. GM70E838A-50kCx2	36-22-59
7-VR2	EV323052	2-Throw/Vol. GM70E839A-50kCx2	36-22-58
7-VR3	EV323053	2-Throw/Vol. GM70ED78A-50kwx2	36-22-60
7-VR4	EV324346	Single-Axial 2-Throw/Vol. V16L4G3N 250kZx2	36-22-55
7-C1	EC323055	NP/C. 10μF(M) 16WV	24-17-35
7-C8,9	EC323055	NP/C. 10μF(M) 16WV	24-17-35
7-C15	EC243393	Solid Aluminum/C. (Vert.) 0.22μF(K) 10WV	24-19-2

**8. PUSH SW. P.C BOARD  
(AMU-6001B) BLOCK**

Symbol No.	Parts No.	Description	Schematic No.
8-TR1to4	ET316643	Transistor 2SC536K-NP(F)(G)	45-1-382
8-SW1to7	ES326593	7-Throw Push SW. J-K2113	25-5-381

# 9. ASSEMBLY BLOCK





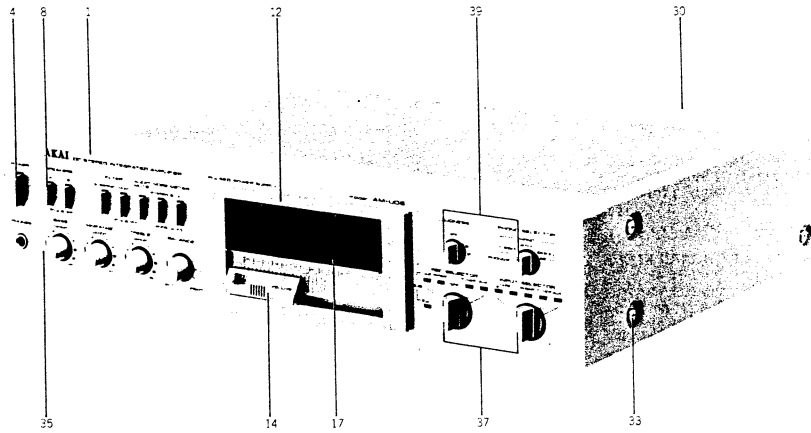
**ASSEMBLY BLOCK**

Ref. No.	Parts No.	Description	Schematic No.	Ref. No.	Parts No.	Description	Schematic No.
<b>LED P.C BOARD (A) BLOCK</b>				<b>LED P.C BOARD (B) BLOCK</b>			
9-1x	ED322773	LED SLP-255D-01	45-15-37	9-5	ED322772	LED SLP-155D-01	45-15-38
9-2x	ED322772	LED SLP-155D-01	45-15-38	<b>SLIDE VOL. P.C BOARD BLOCK</b>			
9-3x	SE326570	LED Escutcheon	AMU-5014	9-6	EV323061	2-Throw Slide/Vol. WSDA119F02	36-27-9
9-4x	ZS468101	Tapping Screw #2, Pan 2.6x6		9-7	ZS417216	Screw, Pan 3x4	
<b>PIN JACK P.C BOARD BLOCK</b>				9-8	EJ323143	Pin Jack 4P	31-5-153
9-8	EJ323143	Pin Jack 4P	31-5-153	9-9	EJ323144	Pin Jack 6P	31-5-153
9-9	EJ323144	Pin Jack 6P	31-5-153	9-10	EJ323145	Din 5P, Pin Jack 4P	31-5-157
9-10	EJ323145	Din 5P, Pin Jack 4P	31-5-157	9-11	EJ326596	Pin Jack 2P	31-5-156
9-11	EJ326596	Pin Jack 2P	31-5-156	<b>HEAT SINK BLOCK</b>			
<b>HEAT SINK BLOCK</b>				9-12	EI326597	IC STK-0070(2)-SL	45-8-452
9-12	EI326597	IC STK-0070(2)-SL	45-8-452	9-13	ZS321279	Tapping Screw, #2 BR 3x18	
9-13	ZS321279	Tapping Screw, #2 BR 3x18		<b>PULSE POWER SUPPLY BLOCK</b>			
<b>PULSE POWER SUPPLY BLOCK</b>				9-14x	ZS379350	Screw, Pan 3x6	
9-14x	ZS379350	Screw, Pan 3x6		9-15	TA325261	Packing	AMU-5018
9-15	TA325261	Packing	AMU-5018	9-16	ZS306459	B-Tight Screw, BR 3x8	
9-16	ZS306459	B-Tight Screw, BR 3x8		<b>REAR PANEL BLOCK</b>			
<b>REAR PANEL BLOCK</b>				9-17	SP326562	Rear Panel (A) (U/T)	AMU-5008
9-17	SP326562	Rear Panel (A) (U/T)	AMU-5008	9-18x	SP326563	Rear Panel (B) (CSA)	AMU-5009
9-18x	SP326563	Rear Panel (B) (CSA)	AMU-5009	9-19x	SP326565	Rear Panel (C) (AAL)	AMU-5009
9-19x	SP326565	Rear Panel (C) (AAL)	AMU-5009	9-20x	SP326566	Rear Panel (D) (CEE)	AMU-5010
9-20x	SP326566	Rear Panel (D) (CEE)	AMU-5010	9-21x	SP326567	Rear Panel (E) (UK,SAA)	AMU-5010
9-21x	SP326567	Rear Panel (E) (UK,SAA)	AMU-5010	9-22	EJ325358	Earth Terminal	32-1-115
9-22	EJ325358	Earth Terminal	32-1-115	9-23	ZW652408	Washer (SPC) D3.2x10x0.5t	
9-23	ZW652408	Washer (SPC) D3.2x10x0.5t		9-24	ZS308673	Tapping Screw, Pan 3x20	
9-24	ZS308673	Tapping Screw, Pan 3x20		<b>ASSEMBLY BLOCK</b>			
<b>ASSEMBLY BLOCK</b>				9-25	EJ322581	Pin Jack 4P (RED, WHT)	7-1-68
9-25	EJ322581	Pin Jack 4P (RED, WHT)	7-1-68	9-26	ZS522865	Tapping Screw, #2 BR 3x12	32-1-126
9-26	ZS522865	Tapping Screw, #2 BR 3x12	32-1-126	<b>ASSEMBLY BLOCK</b>			
<b>ASSEMBLY BLOCK</b>				9-27	EJ554578	Short Plug	42-1-56
9-27	EJ554578	Short Plug	42-1-56	9-28	EJ322582	Push Terminal 4P	32-1-137
9-28	EJ322582	Push Terminal 4P	32-1-137	9-29	EJ240535	Δ 3-Throw AC Outlet	
9-29	EJ240535	Δ 3-Throw AC Outlet		<b>ASSEMBLY BLOCK</b>			
<b>ASSEMBLY BLOCK</b>				9-30	EW306428	Δ AC Cord (U/T)	31-1-173
9-30	EW306428	Δ AC Cord (U/T)	31-1-173	9-31x	EW305691	Δ AC Cord CUL (CSA, AAL)	26-3-94
9-31x	EW305691	Δ AC Cord CUL (CSA, AAL)	26-3-94	9-32	EZ631945	Strain Relief SR-4N-4	26-3-95
9-32	EZ631945	Strain Relief SR-4N-4	26-3-95	9-33x	EJ296853	Δ 3P In-Let CM-3	2-7-49
9-33x	EJ296853	Δ 3P In-Let CM-3	2-7-49	9-34x	ZS463353	Tapping Screw, #2 BR 3x8	31-1-159
9-34x	ZS463353	Tapping Screw, #2 BR 3x8	31-1-159	<b>ASSEMBLY BLOCK</b>			
<b>ASSEMBLY BLOCK</b>				9-35x	ZS325495	Tapping Screw, #2 BR 3x6	
9-35x	ZS325495	Tapping Screw, #2 BR 3x6		9-36x	ZS308846	Tapping Screw, #2 BR 3x8	
9-36x	ZS308846	Tapping Screw, #2 BR 3x8		<b>ASSEMBLY BLOCK</b>			
<b>ASSEMBLY BLOCK</b>				9-37	ES324162	Δ Push SW. SDG-1P TV-5	7-1-69
9-37	ES324162	Δ Push SW. SDG-1P TV-5	7-1-69	<b>ASSEMBLY BLOCK</b>			
<b>ASSEMBLY BLOCK</b>				9-38x	ES679566	Δ Push SW. SDG1P TVs	25-5-577
9-38x	ES679566	Δ Push SW. SDG1P TVs	25-5-577	<b>ASSEMBLY BLOCK</b>			
<b>ASSEMBLY BLOCK</b>				9-39x	ES310839	Δ Push SW. SDG1P-E 5A/80A	25-5-234
9-39x	ES310839	Δ Push SW. SDG1P-E 5A/80A	25-5-234	<b>ASSEMBLY BLOCK</b>			
<b>ASSEMBLY BLOCK</b>				9-40	EC321302	Δ Ceramic/C. E 0.01μF(Z)	25-5-210
9-40	EC321302	Δ Ceramic/C. E 0.01μF(Z)	25-5-210	<b>ASSEMBLY BLOCK</b>			
<b>ASSEMBLY BLOCK</b>				9-41x	EC314688	Δ Ceramic/C. DE7150 FZ	24-5-50
9-41x	EC314688	Δ Ceramic/C. DE7150 FZ	24-5-50	<b>ASSEMBLY BLOCK</b>			
<b>ASSEMBLY BLOCK</b>				9-42x	EC327382	Δ MF/C. (Vert.)	24-5-57
9-42x	EC327382	Δ MF/C. (Vert.)	24-5-57	<b>ASSEMBLY BLOCK</b>			
<b>ASSEMBLY BLOCK</b>				9-43	TA323028	Push Rod	24-9-124
9-43	TA323028	Push Rod	24-9-124	9-44x	ZS422076	Screw, Pan 3x5	AMU-4027
9-44x	ZS422076	Screw, Pan 3x5	AMU-4027	<b>ASSEMBLY BLOCK</b>			
<b>ASSEMBLY BLOCK</b>				9-45	ZW698308	Nylon Rivet (NRB) 3x5.5	
9-45	ZW698308	Nylon Rivet (NRB) 3x5.5		<b>ASSEMBLY BLOCK</b>			
<b>ASSEMBLY BLOCK</b>				9-46	EL326611	Lamp (Cord) 8V 50mA	28-2-84
9-46	EL326611	Lamp (Cord) 8V 50mA	28-2-84	<b>ASSEMBLY BLOCK</b>			
<b>ASSEMBLY BLOCK</b>				9-47	EJ301199	Headphone Jack 3P64M	31-2-83
9-47	EJ301199	Headphone Jack 3P64M	31-2-83	<b>ASSEMBLY BLOCK</b>			
<b>ASSEMBLY BLOCK</b>				9-48	BT326592	Δ Power Trans. AM-U06T-70	38-4-859
9-48	BT326592	Δ Power Trans. AM-U06T-70	38-4-859	<b>ASSEMBLY BLOCK</b>			
<b>ASSEMBLY BLOCK</b>				9-49x	BT326589	Δ Power Trans. AM-U06T-20	38-4-856
9-49x	BT326589	Δ Power Trans. AM-U06T-20	38-4-856	<b>ASSEMBLY BLOCK</b>			
<b>ASSEMBLY BLOCK</b>				9-50x	BT326590	Δ Power Trans. AM-U06T-40	38-4-837
9-50x	BT326590	Δ Power Trans. AM-U06T-40	38-4-837	<b>ASSEMBLY BLOCK</b>			
<b>ASSEMBLY BLOCK</b>				9-51x	BT326591	Δ Power Trans. AM-U06T-50	38-4-838
9-51x	BT326591	Δ Power Trans. AM-U06T-50	38-4-838	<b>ASSEMBLY BLOCK</b>			
<b>ASSEMBLY BLOCK</b>				9-52	ZS455207	Tapping Screw, #2 BR 3x5	
9-52	ZS455207	Tapping Screw, #2 BR 3x5		<b>ASSEMBLY BLOCK</b>			
<b>ASSEMBLY BLOCK</b>				9-53x	ZS434250	Screw, Pan 4x8, w/Washer	
9-53x	ZS434250	Screw, Pan 4x8, w/Washer		<b>ASSEMBLY BLOCK</b>			
<b>ASSEMBLY BLOCK</b>				9-54x	ZW413188	Nut, #1 M4	
9-54x	ZW413188	Nut, #1 M4		<b>ASSEMBLY BLOCK</b>			
<b>ASSEMBLY BLOCK</b>				9-55x	ZS406416	Tapping Screw, #2	
9-55x	ZS406416	Tapping Screw, #2		<b>ASSEMBLY BLOCK</b>			
<b>ASSEMBLY BLOCK</b>				9-56x	ZS498273	Tapping Screw, #2 BR 3x8 W=8	
9-56x	ZS498273	Tapping Screw, #2 BR 3x8 W=8		<b>ASSEMBLY BLOCK</b>			
<b>ASSEMBLY BLOCK</b>				9-57x	ZS297641	Tapping Screw, #2 BIND 3x8	
9-57x	ZS297641	Tapping Screw, #2 BIND 3x8		<b>ASSEMBLY BLOCK</b>			
<b>ASSEMBLY BLOCK</b>				9-58x	EJ313601	Δ Mini Connector Assy C1101	26-6-323
9-58x	EJ313601	Δ Mini Connector Assy C1101	26-6-323	<b>ASSEMBLY BLOCK</b>			
<b>ASSEMBLY BLOCK</b>				9-59	ZS523664	Tapping Screw, #2 BR 3x10	
9-59	ZS523664	Tapping Screw, #2 BR 3x10		<b>ASSEMBLY BLOCK</b>			
<b>ASSEMBLY BLOCK</b>				9-60	EF326613	Δ Fuse 5A 250V (U/T)	39-1-64
9-60	EF326613	Δ Fuse 5A 250V (U/T)	39-1-64	<b>ASSEMBLY BLOCK</b>			
<b>ASSEMBLY BLOCK</b>				9-61x	EF306951	Δ Fuse 2.5A 250V (U/T)	39-1-64
9-61x	EF306951	Δ Fuse 2.5A 250V (U/T)	39-1-64	<b>ASSEMBLY BLOCK</b>			
<b>ASSEMBLY BLOCK</b>				9-62x	EF325683	Δ Fuse 5A 125V (CSA, AAL)	39-1-67
9-62x	EF325683	Δ Fuse 5A 125V (CSA, AAL)	39-1-67	<b>ASSEMBLY BLOCK</b>			
<b>ASSEMBLY BLOCK</b>				9-63x	EF459843	Δ Fuse ST-6 5A (CSA, AAL)	39-1-63
9-63x	EF459843	Δ Fuse ST-6 5A (CSA, AAL)	39-1-63	<b>ASSEMBLY BLOCK</b>			
<b>ASSEMBLY BLOCK</b>				9-64x	EF623125	Δ Fuse (Semko T) 2.5AT	
9-64x	EF623125	Δ Fuse (Semko T) 2.5AT		<b>ASSEMBLY BLOCK</b>			
<b>ASSEMBLY BLOCK</b>				9-65x	EF249851	Δ Fuse (Semko T) 5AT	
9-65x	EF249851	Δ Fuse (Semko T) 5AT		<b>ASSEMBLY BLOCK</b>			
<b>ASSEMBLY BLOCK</b>				9-66	SP323044	Bottom Plate	AMU-4038
9-66	SP323044	Bottom Plate	AMU-4038	<b>ASSEMBLY BLOCK</b>			
<b>ASSEMBLY BLOCK</b>				9-67	ZS447840	Tapping Screw, #2 BR 3x8	
9-67	ZS447840	Tapping Screw, #2 BR 3x8		<b>ASSEMBLY BLOCK</b>			
<b>ASSEMBLY BLOCK</b>				9-68	SA-312465	Circular Foot (A) Part CA	CA-5014
9-68	SA-312465	Circular Foot (A) Part CA	CA-5014	<b>ASSEMBLY BLOCK</b>			
<b>ASSEMBLY BLOCK</b>				9-69	ZS565942	Tapping Screw, #2 Pan 4x8	
9-69	ZS565942	Tapping Screw, #2 Pan 4x8		<b>ASSEMBLY BLOCK</b>			

When ordering parts, please quote Parts Number, Description and Model Number.

# INDEX

## 10. FINAL ASSEMBLY BLOCK



### FINAL ASSEMBLY BLOCK

Ref. No.	Parts No.	Description	Schematic No.	Ref. No.	Parts No.	Description	Schematic No.
<b>FRONT PANEL BLOCK</b>							
10-1	BD325920	Front Panel Block AM-U06	AMU-6029	10-22x	ZW616004	Washer (SPC) D3.1x8x1t	
10-2x	BD325921	Front Panel Block AM-U06-BL	AMU-6029	10-23x	ZS322402	Special Tapping Screw, Pan 3x8	7-1-70
10-3x	SE322578	Escutcheon (A)	ATK-2013	<b>FINAL ASSEMBLY BLOCK</b>			
10-4	SB322576	Button (A)	ATK-2012	10-24x	ZS447840	Tapping Screw, #2 BR 3x8	
10-5x	SB322577	Button (A-BL)	ATK-2012	10-25x	ZW324157	Washer (SPC) D6.2x1.3x0.25t	
10-6x	ZG322579	Spring (A)	ATK-2014	10-26x	ZW324158	Washer (SPC) D6.2x1.3x0.5t	
10-7x	SE322558	Escutcheon	AMU-2045	10-27x	ZW324159	Washer (SPC) D6.2x1.3x0.8t	
10-8	SB322557	Button	AMU-2044	10-28x	ZW265983	Washer (SPC) D6.2x1.3x1t	
10-9x	SB322558	Button (BL)	AMU-2044	10-29x	ZW324161	Washer (SPC) D6.2x1.3x1.6t	
10-10x	ZG322566	Spring	AMU-2050	10-30	SP323045	Upper Plate (A)	AMU-4039
10-11x	SE325061	Escutcheon (A)	ATV-4029	10-31x	SP323047	Upper Plate (B) (AAL)	AMU-4039
10-12	SE322538	Bar Meter Escutcheon	AMU-2032	10-32x	SP323046	Upper Plate (A-BL)	AMU-4039
10-13x	SE322539	Bar Meter Escutcheon (BL)	AMU-2032	10-33	ZS322570	S-Tight Screw, Bind 4x8	
10-14	SK324171	Slide Knob Part AM-U04	AMU-4061	10-34x	ZS322580	S-Tight Screw, Bind 4x8 (Black) (AAL, BL)	
10-15x	SK323147	Slide Knob (BL) Part AM-U04-BL	AMU-4061	10-35	SK323042	Knob	AMU-4037
10-16x	ZW270088	'E' Ring 1.9M	6-1-9	10-36x	SK323043	Knob (BL)	AMU-4037
10-17	SZ322544	Bar Meter Plate	AMU-2036	10-37	SK322553	Knob (B)	AMU-2042
10-18x	SZ322545	Bar Meter Filter	AMU-2037,2058	10-38x	SK322554	Knob (B-BL)	AMU-2042
10-19x	TA323037	Vol. Illumination Plate	AMU-4033	10-39	SK322555	Knob (C)	AMU-2043
10-20x	SP323038	Scale Back Plate	AMU-4034	10-40x	SK322556	Knob (C-BL)	AMU-2043
10-21x	SP323039	Scale Back Plate (BL)	AMU-4034				

Parts No.	Ref. No. & Symbol No.	Parts No.	Ref. No. & Symbol No.	Parts No.	Ref. No. & Symbol No.	Parts No.	Ref. No. & Symbol No.	Parts No.	Ref. No. & Symbol No.
BA320352	2-1	EJ301199	9-47	SA312465	9-68				
BA320373	2-3	EJ313601	9-58x	SB322557	10-8				
BA320374	2-2	EJ322581	9-25	SB322558	10-9x				
BD325920	10-1	EJ322582	9-28	SB322576	10-4				
BD325921	10-2x	EJ323143	9-8	SB322577	10-5x				
BT326589	9-49x	EJ323144	9-9	SE322538	10-12				
BT326590	9-50x	EJ323145	9-10	SE322539	10-13x				
BT326591	9-51x	EJ323538	9-22	SE322559	10-7x				
BT326592	9-48	EJ326596	9-11	SE322578	10-3x				
BT326607	4-T1	EJ554578	9-27	SE325061	10-11x				
EC204671	2-C31to34	EL326611	9-46	SE326570	9-3x				
EC243393	7-C15	EO325278	4-L2to5	SK322553	10-37				
EC258298	5-C1	EO325280	4-L6	SK322554	10-38x				
EC314688	5-C2	EO325281	4-L1	SK322555	10-39				
EC314688	9-41x	EO326617	2-L1	SK322556	10-40x				
EC314998	3-C15	EP313565	2-R1,2	SK323042	10-35				
EC318358	6-C3	ER308875	2-R78	SK323043	10-36x				
EC321302	9-40	ER308875	2-R89	SK323147	10-15x				
EC323055	6-C11	ER313774	2-R31	SK324171	10-14				
EC323055	7-C1	ER322590	2-R92	SP-323038	10-20x				
EC323055	7-C8,9	ER322591	2-R74,75	SP323039	10-21x				
EC323517	4-C8,9	ER323057	6-R3	SP323044	9-66				
EC323557	5-C1	ER323069	6-R8	SP323045	10-30				
EC324102	6-C9	ER323074	2-R71,72	SP323046	10-32x				
EC324103	6-C10	ER323075	2-R76,77	SP323047	10-31x				
EC324109	3-C14	ER323351	6-R7	SP326562	9-17				
EC324922	3-C8,9	ER323996	2-R90	SP326563	9-18x				
EC325266	4-C21	ER324222	4-R5	SP326565	9-19x				
EC325286	4-C21	ER324359	2-R91	SP326566	9-20x				
EC325286	5-C3	ER325114	2-R94	SP326567	9-21x				
EC325316	4-C6	ER325265	5-L1	SZ322544	10-17				
EC325671	5-C2	ER325268	5-L1	SZ322545	10-18x				
EC325671	5-C1	ER325277	4-R1	TA323028	9-43				
EC326604	5-C4,5	ER325288	4-R18	TA323037	10-19x				
EC326606	5-C4,5	ER326615	2-R2	TA323481	4-6				
EC326608	4-C2,3	ER326616	2-R80,81	TA325261	9-15				
EC326609	4-C4,5	ER328138	2-R82,83	ZG322566	10-10x				
EC326827	5-C1	ER622978	5-R1to4	ZG322579	10-6x				
EC326828	5-C3	ES306725	4-SW1	ZG323474	4-1				
EC327382	9-42x	ES310839	9-39x	ZS297641	9-57x				
EC657044	2-C3	ES323062	6-SW1	ZS306459	9-16				
ED214457	2-D10to15	ES323063	6-SW2	ZS308673	9-24				
ED214457	2-D20	ES324162	9-37	ZS308846	9-36x				
ED242368	2-D22,23	ES326586	3-SW1	ZS321279	9-13				
ED322772	9-2x	ES326587	3-SW2	ZS322402	10-23x				
ED322772	9-5	ES326593	8-SW1to7	ZS322570	10-33				
ED322773	9-1x	ES679566	9-38x	ZS322580	10-34x				
ED323056	2-D4,5	ET129868	6-TR1	ZS325495	2-4				
ED323057	2-D6to9	ET305463	2-TR8	ZS325495	9-35x				
ED323057	2-D16	ET305463	2-TR11	ZS379350	4-4				
ED323057	3-D1	ET305463	3-TR1	ZS379350	9-14x				
ED323059	6-D1,2	ET305463	3-TR4	ZS380046	4-3				
ED323512	4-D3	ET307195	2-TR1	ZS406416	9-55x				
ED323513	4-D4	ET307195	2-TR6,7	ZS417216	9-7				
ED323534	2-D26	ET307195	2-TR10	ZS419670	4-2				
ED323535	2-D25	ET307195	3-TR2,3	ZS422076	9-44				
ED323573	4-D1	ET311791	2-TR12	ZS434250	9-53x				
ED325275	4-D6to8	ET311792	2-TR16	ZS447840	2-5				
ED326605	5-D1	ET316171	4-TR2	ZS447840	9-67				
ED560913	4-D2	ET316643	2-TR4,5	ZS447840	10-24x				
ED562386	2-D24	ET316643	2-TR14,15	ZS455207	9-52				
ED624903	2-D17to19	ET316643	8-TR1to4	ZS463353	9-34x				
ED624903	2-D21	ET322244	2-TR2,3	ZS468101	9-4x				
ED624903	2-D27	ET322244	2-TR13	ZS498273	9-56x				
EF249851	9-65x	ET322244	2-TR18	ZS522865	9-26				
EF306951	9-61x	ET322598	4-TR7	ZS523664	9-59				
EF325683	9-62x	ET323105	2-TR9	ZS558101	4-5				
EF326613	9-60	ET323105	2-TR17	ZS565942	9-69				
EF459843	9-53x	ET323529	4-TR1	ZW265983	10-28x				
EF623125	9-64x	ET323572	4-TR3to6	ZW270088	10-16x				
EI322599	2-IC4	EV323051	7-VR1	ZW324157	10-25x				
EI322599	7-IC2	EV323052	7-VR2	ZW324158	10-26x				
EI323054	6-IC1	EV323053	7-VR3	ZW324159	10-27x				
EI323054	7-IC1	EV323061	9-6	ZW324161	10-29x				
EI323564	2-IC5	EV324346	7-VR4	ZW413188	9-54x				
EI325947	4-T1	EV464196	2-VR2	ZW616004	10-22x				
EI326595	2-IC2	EV478686	2-VR1	ZW652408	9-23				
EI326597	9-12	EW305691	9-31x	ZW698308	9-45				
EJ240535	9-29	EW306428	9-30						
EJ296853	9-33x	EZ631945	9-32						

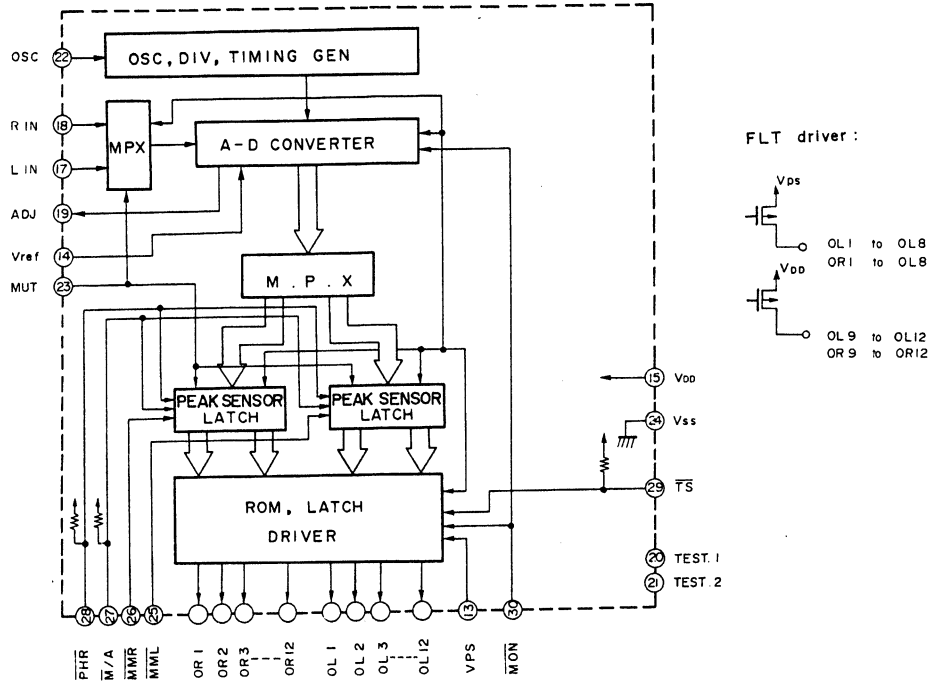
---

SECTION 3

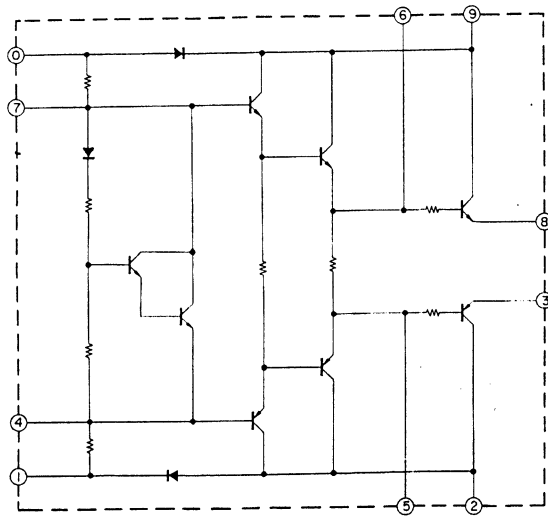
**SCHEMATIC DIAGRAM**

1. SCHEMATIC DIAGRAM OF ICs
2. AM-U06 NO. 4-1 1601220A CONNECTION DIAGRAM
3. AM-U06 NO. 4-2 1601221A MAIN AMP SCHEMATIC DIAGRAM
4. AM-U06 NO. 4-3 1601222A PULSE POWER SCHEMATIC DIAGRAM
5. AM-U06 NO. 4-4 1601223A MC AMP SCHEMATIC DIAGRAM

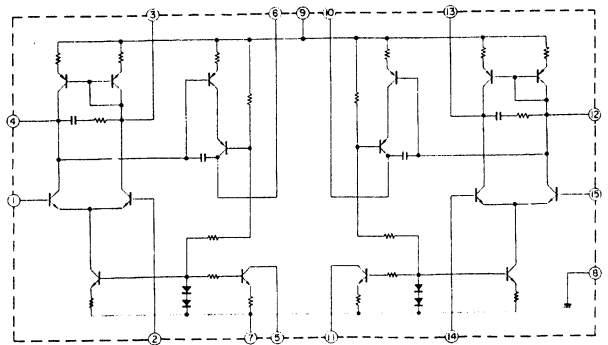
LC7556



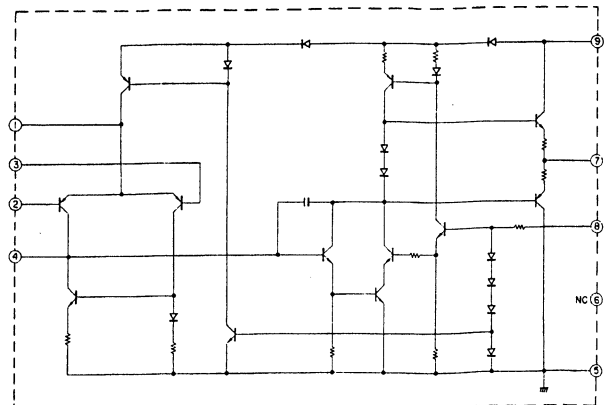
STK-0070II



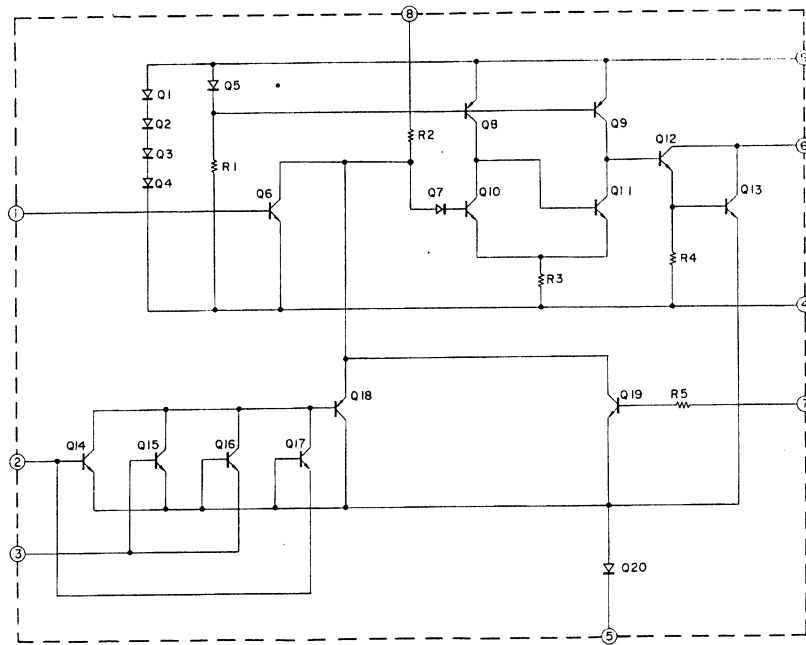
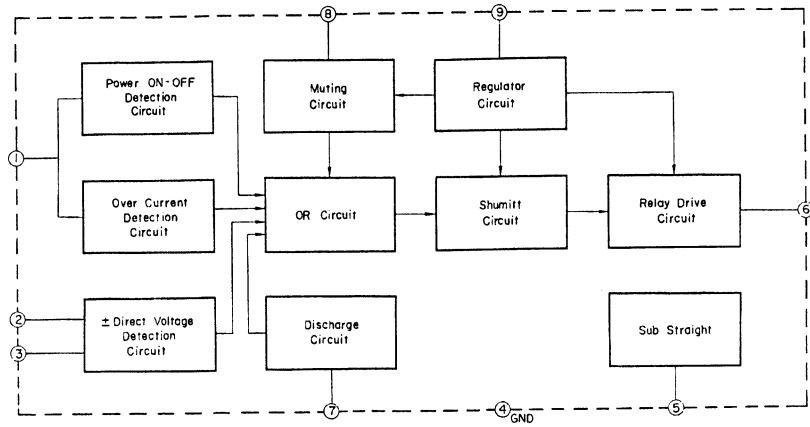
STK-3062



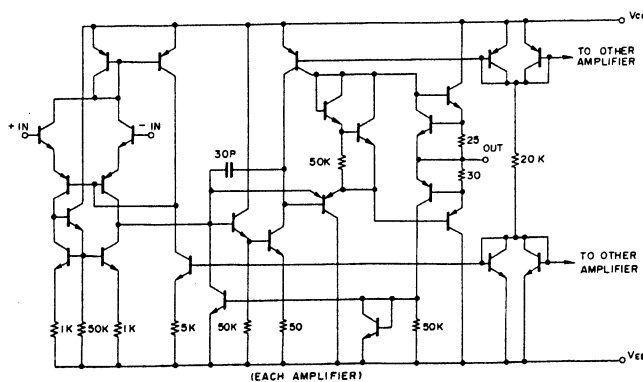
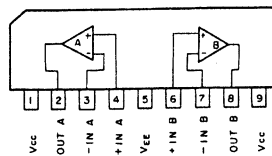
TA7322P

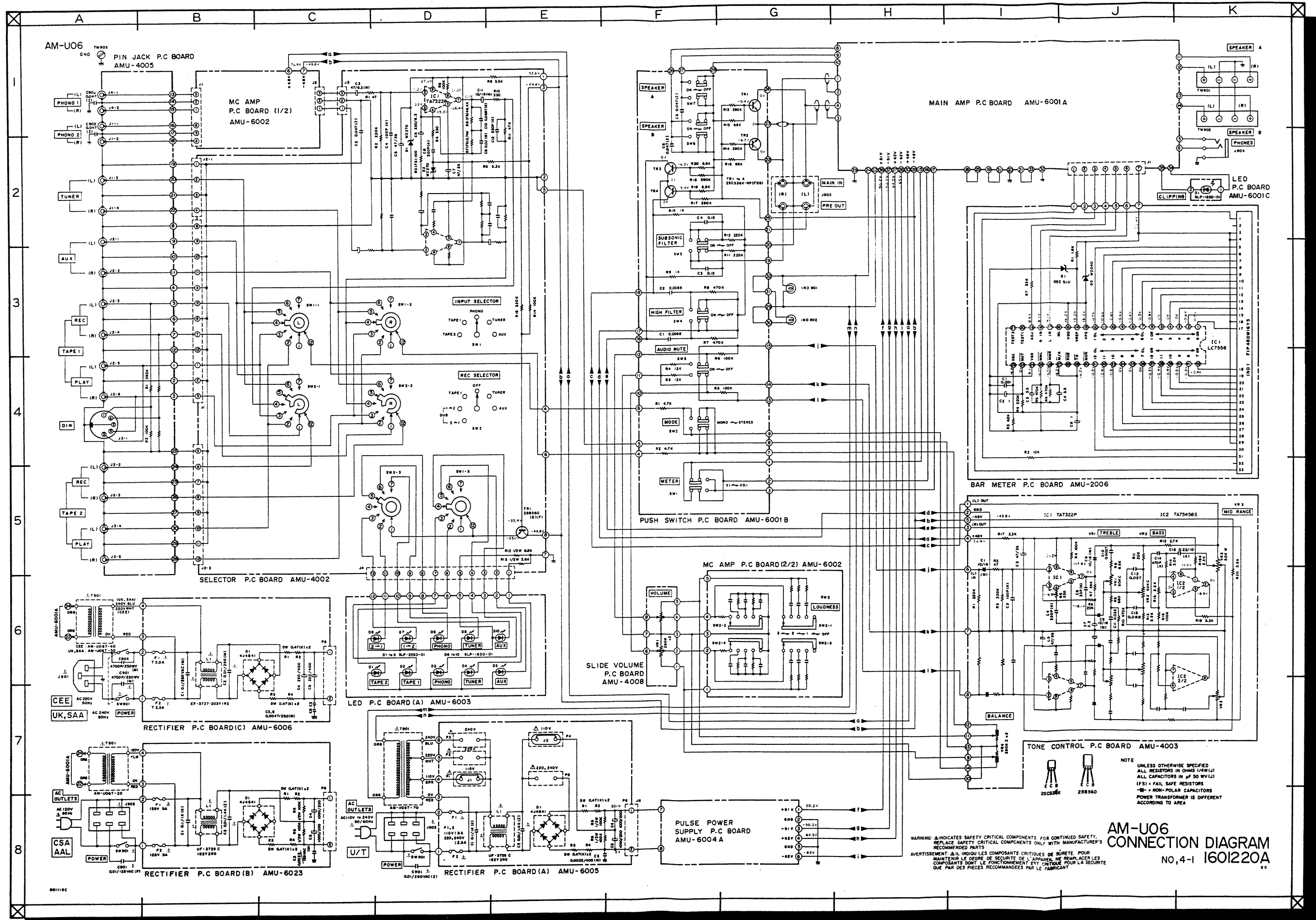


# TA7317P

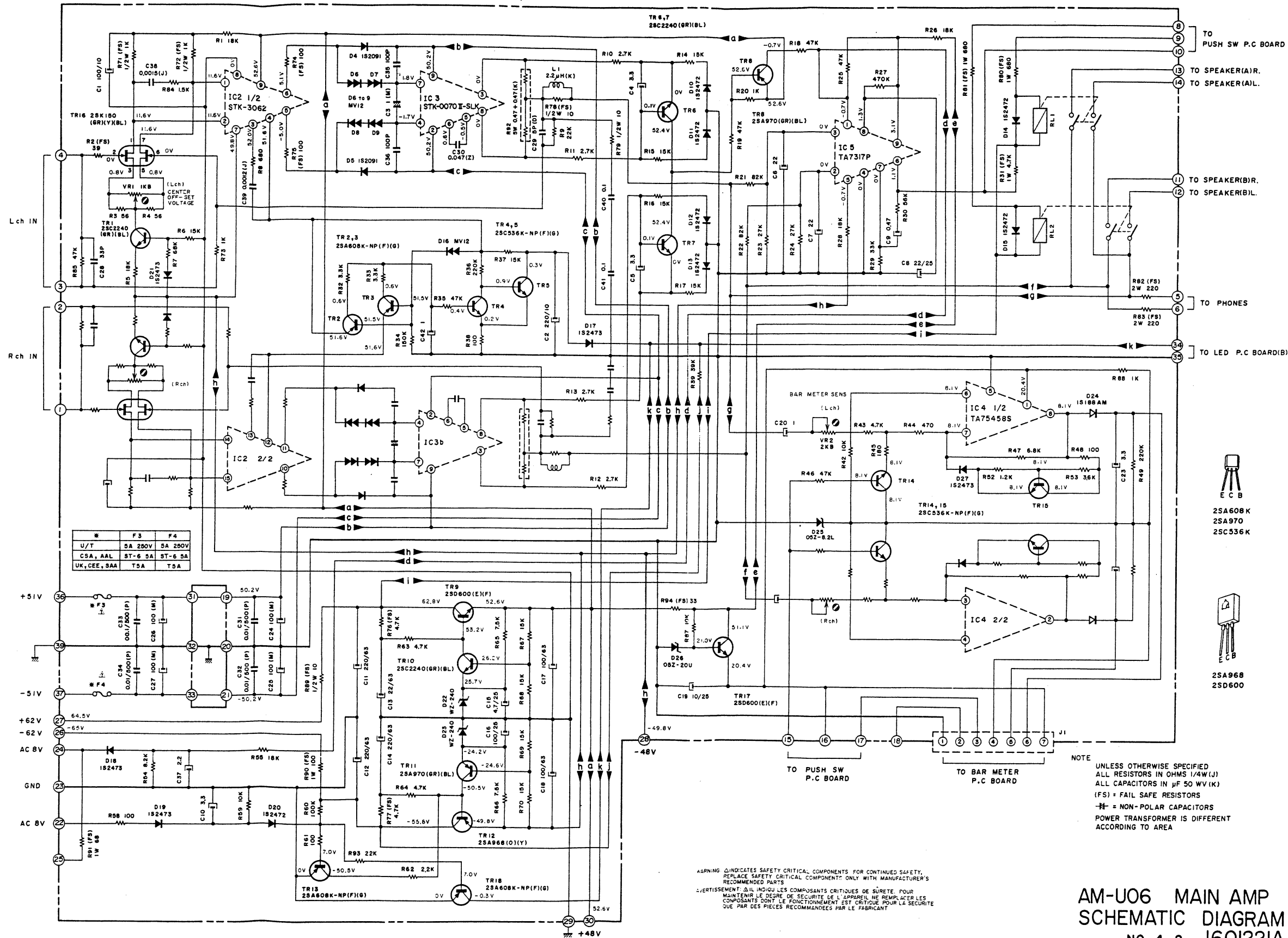


# TA75458S





AM-U06



W	F3	F4
U/T	5A 250V	5A 250V
CSA, AAL	ST-6 5A	ST-6 5A
UK, CEE, SAA	T5A	T5A

ECB  
25A608K  
25A970  
25C536K

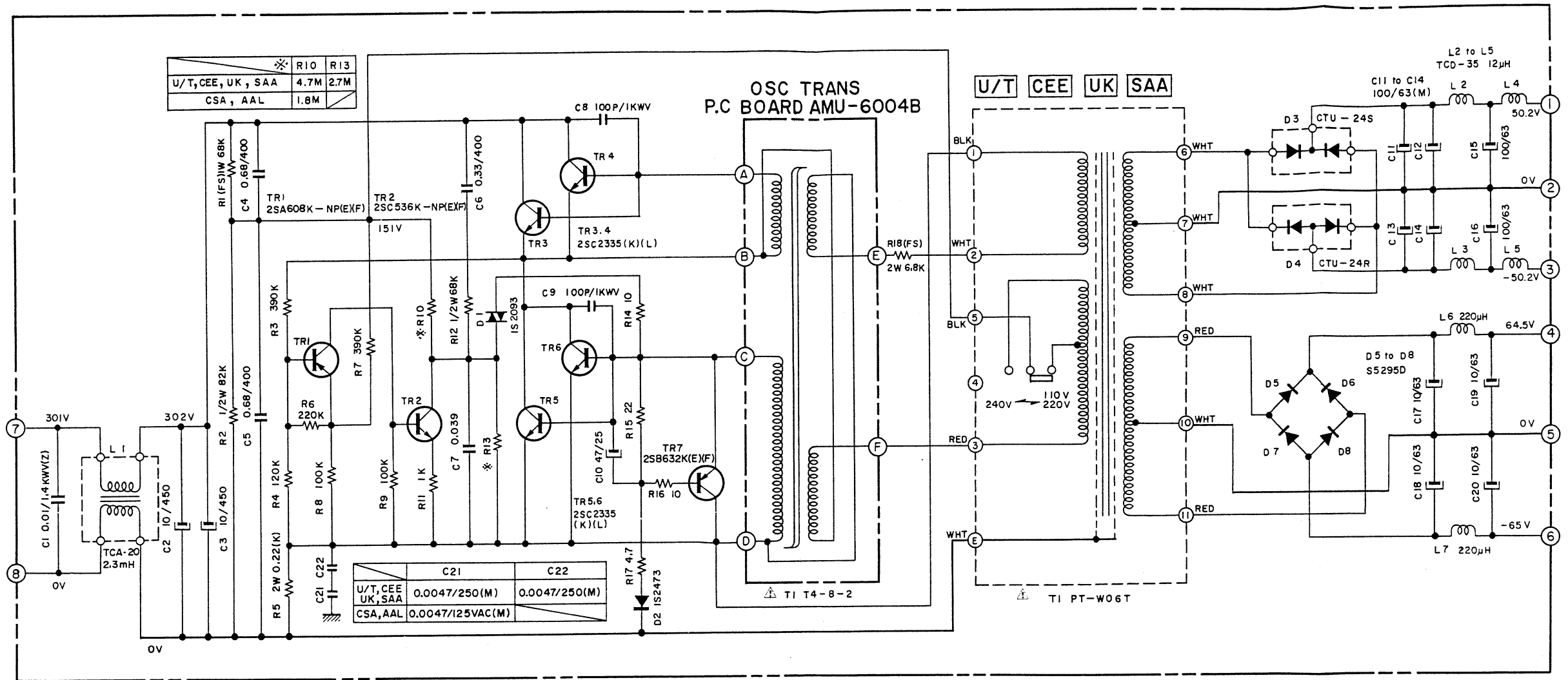
ECB  
25A968  
25D600

NOTE  
UNLESS OTHERWISE SPECIFIED  
ALL RESISTORS IN OHMS 1/4W(J)  
ALL CAPACITORS IN μF 50 WV(K)  
(FS) = FAIL SAFE RESISTORS  
-N= NON-POLAR CAPACITORS  
POWER TRANSFORMER IS DIFFERENT  
ACCORDING TO AREA

WARNING: INDICATES SAFETY CRITICAL COMPONENTS FOR CONTINUED SAFETY. REPLACE SAFETY CRITICAL COMPONENTS ONLY WITH MANUFACTURER'S RECOMMENDED PARTS.  
AVERTISSEMENT: ΔIL INDIQUE LES COMPOSANTS CRITIQUES DE SURETE. POUR MAINTENIR LE DEGRE DE SECURITE DE L'APPAREIL, NE REMPLACER LES COMPOSANTS DONT LE FONCTIONNEMENT EST CRITIQUE POUR LA SECURITE QUE PAR DES PIECES RECOMMANDEES PAR LE FABRICANT.

AM-U06 MAIN AMP  
SCHEMATIC DIAGRAM  
NO. 4-2 160122IA  
2c

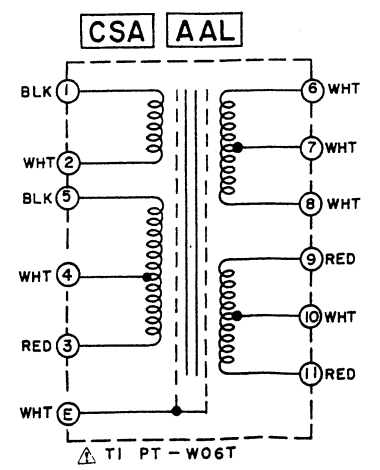
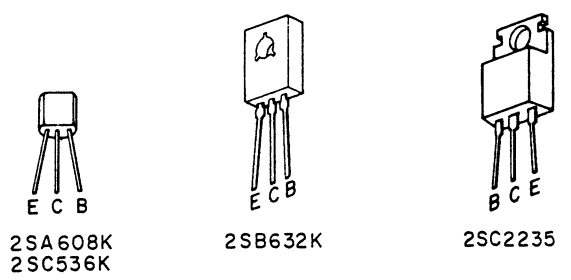
AM-U06



PULSE POWER SUPPLY P.C BOARD AMU-6004A

	⚠ R10	⚠ R13
U/T, CEE, UK, SAA	4.7M	2.7M
CSA, AAL	1.8M	

	C21	C22
U/T, CEE, UK, SAA	0.0047/250(M)	0.0047/250(M)
CSA, AAL	0.0047/125VAC(M)	



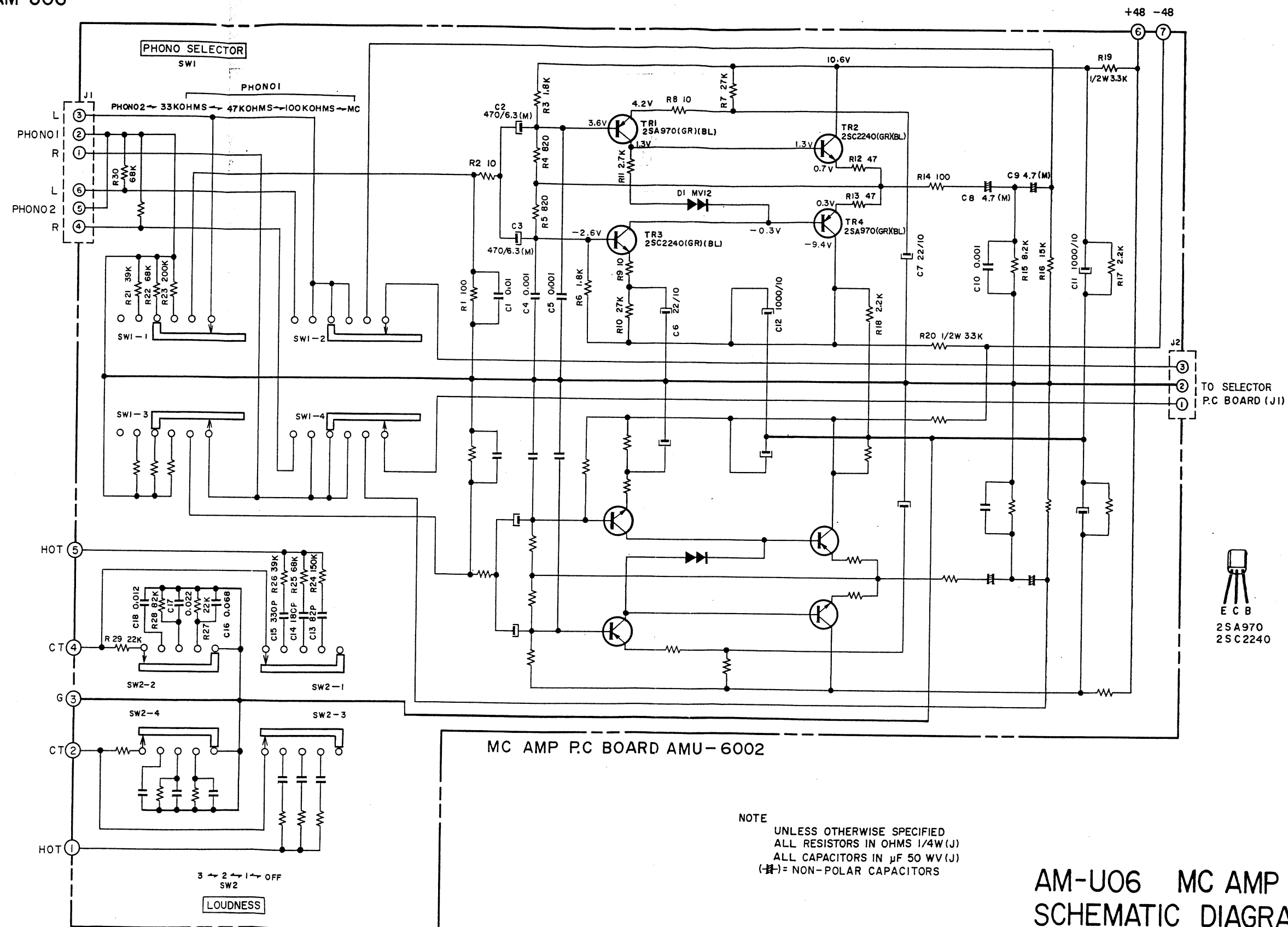
WARNING: ⚠ INDICATES SAFETY CRITICAL COMPONENTS FOR CONTINUED SAFETY. REPLACE SAFETY CRITICAL COMPONENTS ONLY WITH MANUFACTURER'S RECOMMENDED PARTS.  
 AVERTISSEMENT: ⚠ INDIQUE LES COMPOSANTS CRITIQUES DE SURETE. POUR MAINTENIR LE DEGRE DE SECURITE DE L'APPAREIL, NE REMPLACER LES COMPOSANTS DONT LE FONCTIONNEMENT EST CRITIQUE POUR LA SECURITE QUE PAR DES PIECES RECOMMANDEES PAR LE FABRICANT.

NOTE  
 UNLESS OTHERWISE SPECIFIED  
 ALL RESISTORS IN OHMS 1/4W (J)  
 ALL CAPACITORS IN μF 50 WV (J)  
 (⚡) = NON-POLAR CAPACITORS

AM-U06  
 PULSE POWER  
 SCHEMATIC DIAGRAM  
 NO. 4-3 1601222A  
 2C



AM-U06



MC AMP P.C. BOARD AMU-6002

NOTE  
 UNLESS OTHERWISE SPECIFIED  
 ALL RESISTORS IN OHMS 1/4W(J)  
 ALL CAPACITORS IN  $\mu$ F 50 WV(J)  
 (-) = NON-POLAR CAPACITORS

AM-U06 MC AMP  
 SCHEMATIC DIAGRAM  
 NO. 4-4 1601223A

00114

2C