

AKAI AM-32 (60W-channel)

IMPORTANT : this is not the original AKAI AM-32 schematic .

I have copied this scheme, following the traces and solders of PCB board of the amplifier ,when i repaired it.

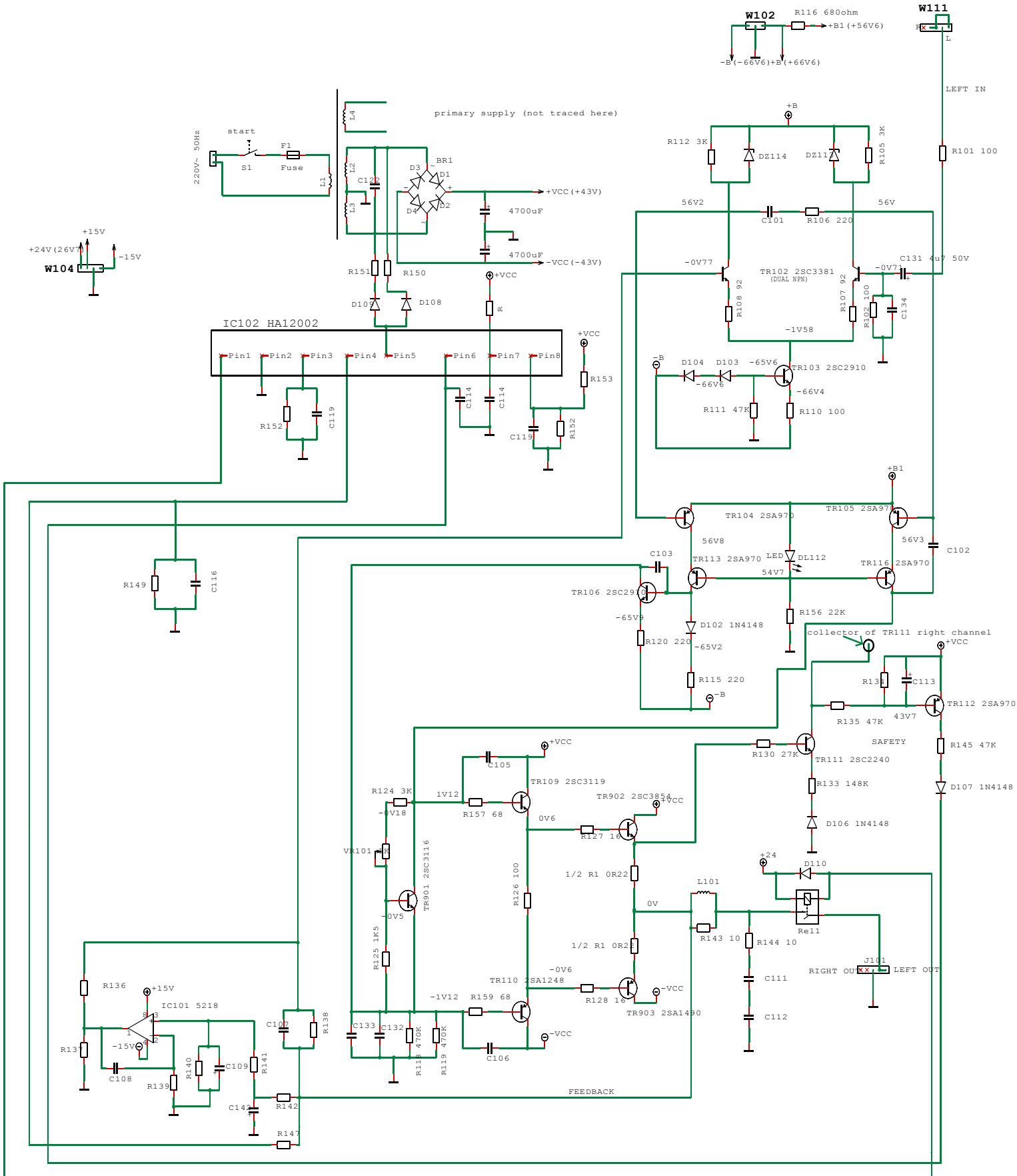
I don't guarantee that the whole scheme is exact and my instrument is not very precise, then **IF YOU USE IT ,YOU DO IT TO YOUR RISK.**

Also, the schematic is not complete , but include the following circuits:

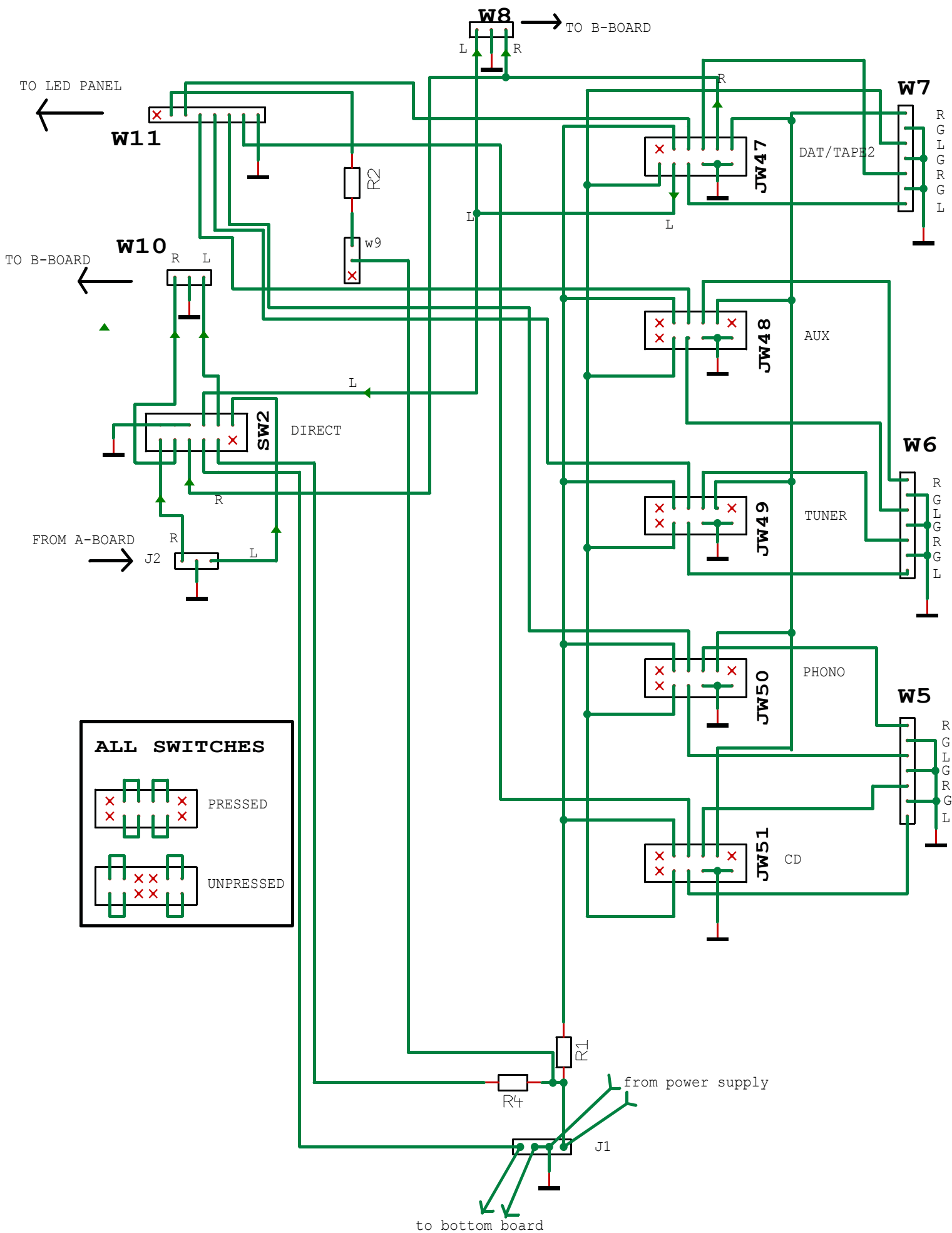
- left channel final amplifier (note that the right channel has the same component's name of left channel)
- final power supply
- safety circuit
- switch board (D board)
- some components data

Do not include primary power supply

Traced by MPANTEC ,with TARGET3001 FOR PCB POOL ,



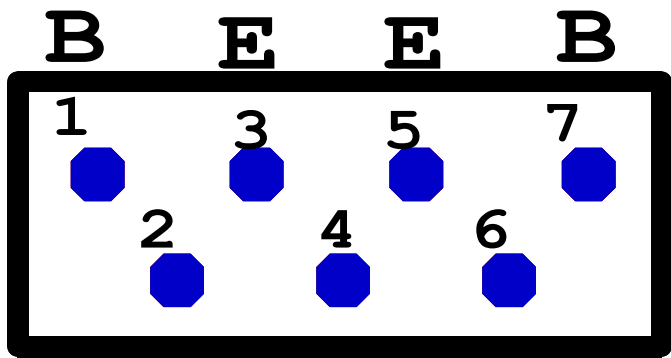
D-BOARD



ALL SWITCHES

	PRESSED
	UNPRESSED

2SC3881



B

E

E

B

1

3

5

7

2

4

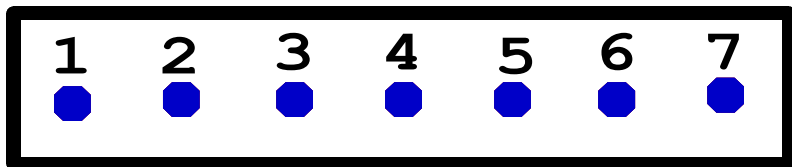
6

C

C

substrate

2SK389



1

2

3

4

5

6

7

D

G

S

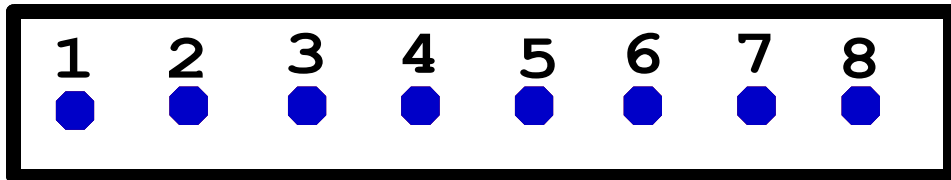
S

G

D

substrate

HA12002



1

2

3

4

5

6

7

8

VCC

OUT2

-IN2

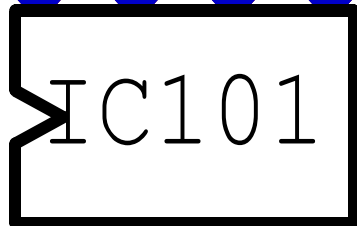
+IN2

OUT1

-IN1

+IN1

VEE



(155218)

relè driver

GND

temperature revealing

audio signal IN

AC detect

overload revealing

BIAS

positive feedback