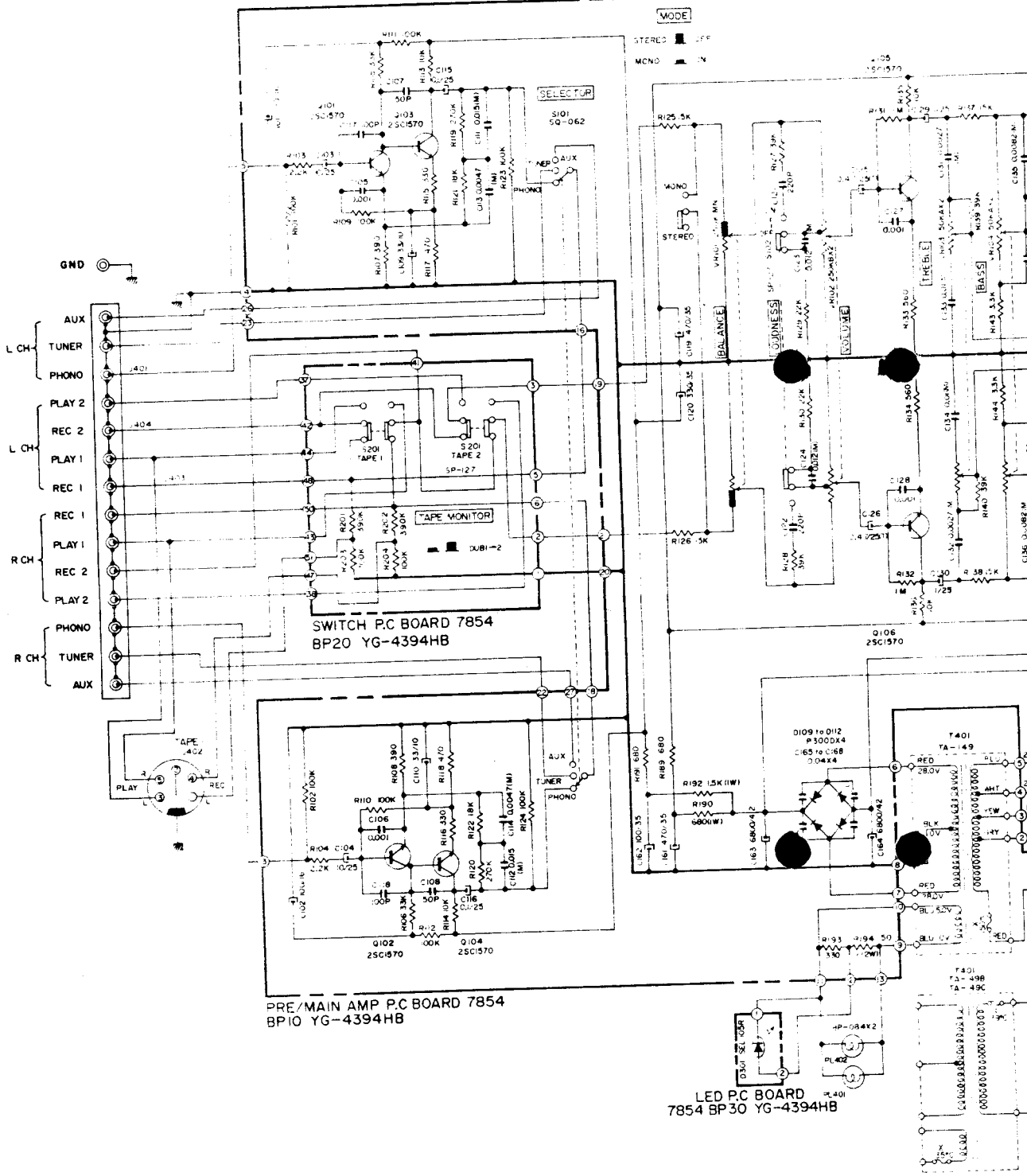


AKAI AM - 2350

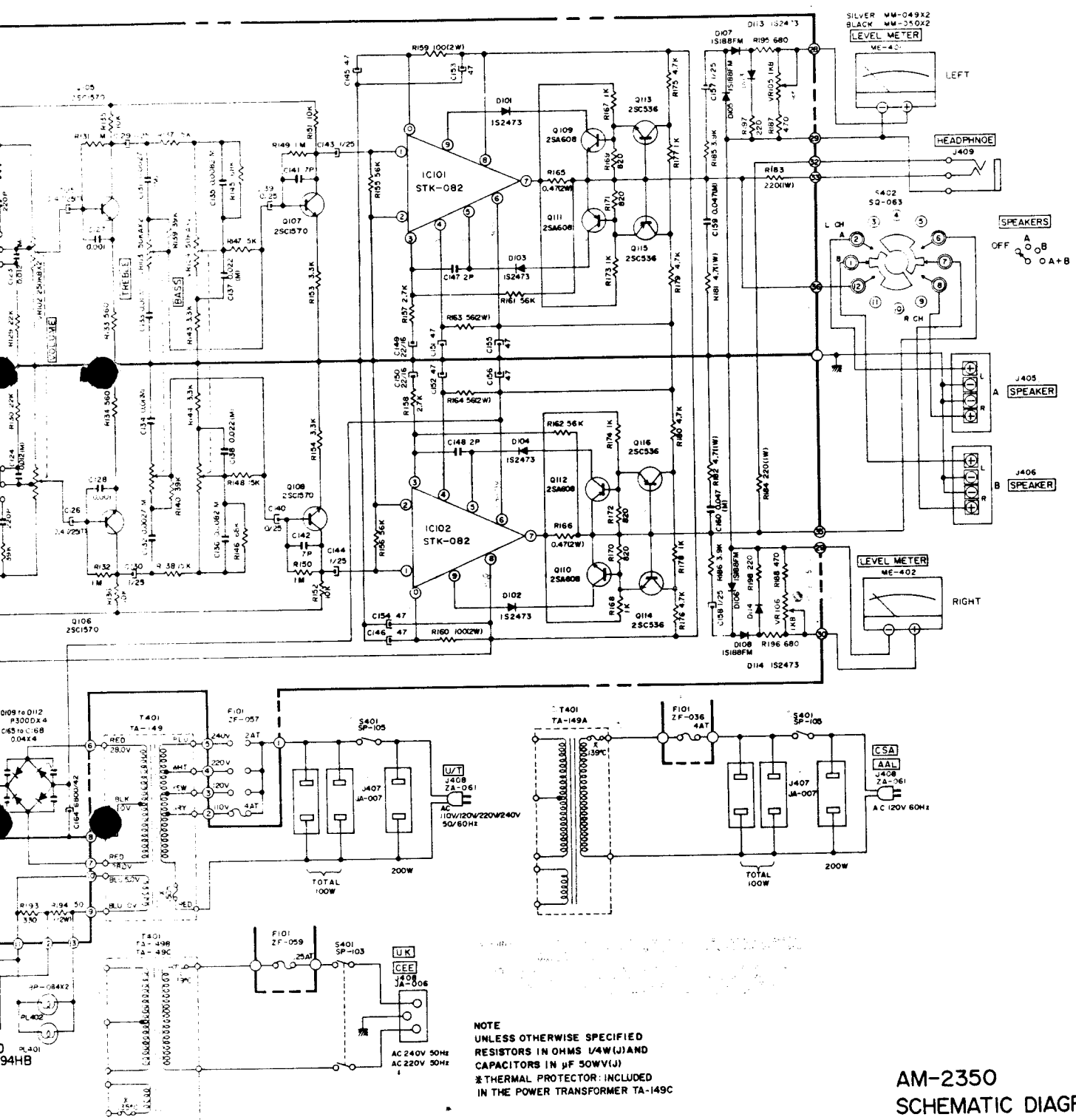
AM-2350



SWITCH P.C. BOARD 7854  
BP20 YG-4394HB

PRE/MAIN AMP P.C. BOARD 7854  
BP10 YG-4394HB

LED P.C. BOARD  
7854 BP30 YG-4394HB



NOTE  
 UNLESS OTHERWISE SPECIFIED  
 RESISTORS IN OHMS 1/4W(J)AND  
 CAPACITORS IN µF 50V(U)  
 \*THERMAL PROTECTOR INCLUDED  
 IN THE POWER TRANSFORMER TA-149C

AM-2350  
 SCHEMATIC DIAGRAM  
 NO.1562008A