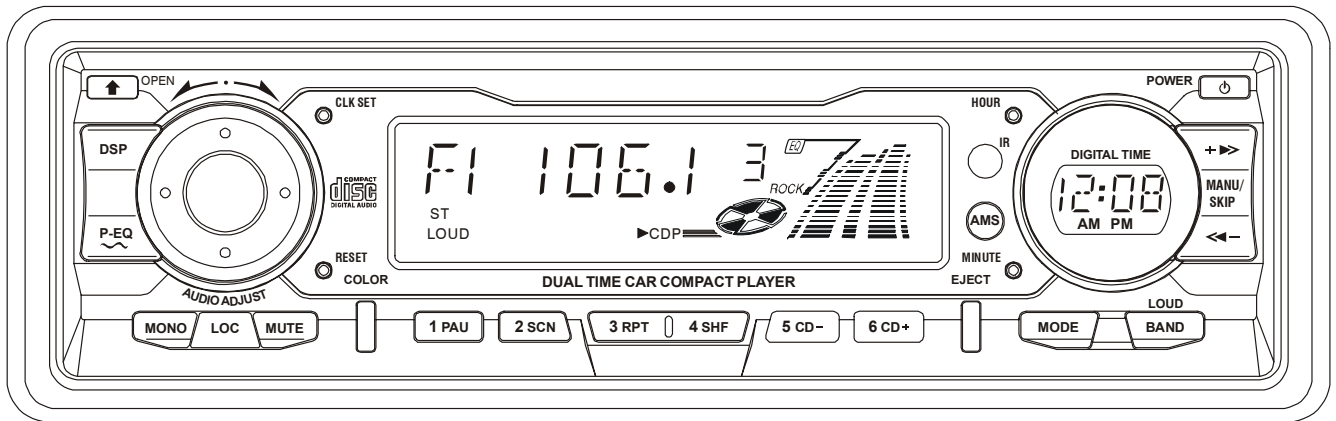


AKAI® Service Manual

**PULL SYNTHESIZED STEREO RADIO WITH
COMPACT DISC PLAYER DIGITAL**



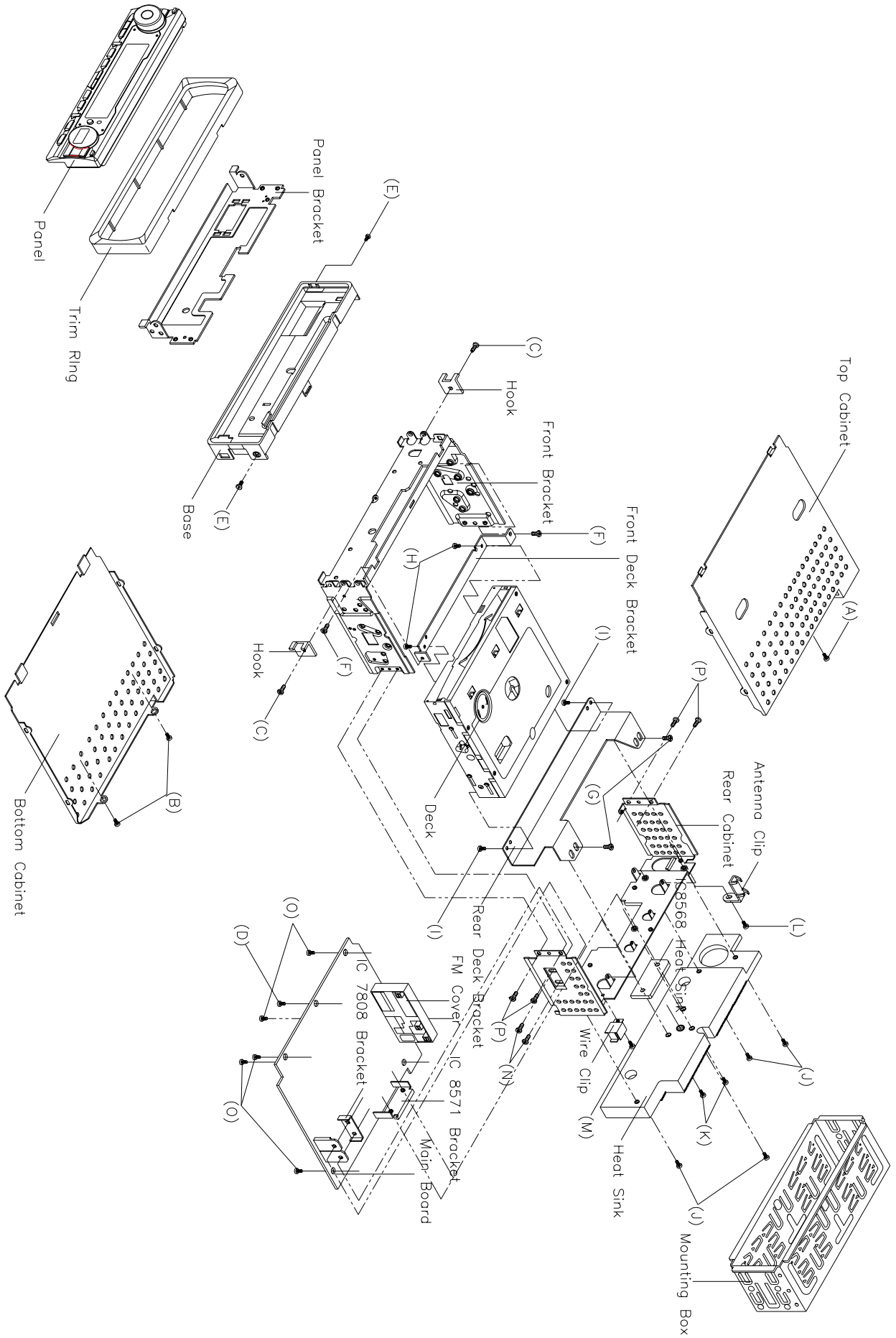
CONTENTS

	Page
Disassembly Instructions.....	3
Disassembly Diagram.....	4
Operation check.....	5
Block Diagram	6
Alignment Locations	7
Alignment Procedures	8
Printed Circuit Boards.....	9
Wiring Diagram	15
Exploded Views (Panel).....	16
Exploded View Parts Lists (Panel)	17
Exploded Views (Cabinet)	18
Exploded View Parts Lists Cabinet)	19
Exploded View (Deck)	21
Exploded View Parts List (Deck)	22
Schematic Diagram	24
Electrical Parts List	26
Specifications.....	32

DISASSEMBLY INSTRUCTIONS

1. Using the unlock key that came with the unit or a similar tool, unlock the Mounting Box and remove toward the rear of the unit.
2. Remove the screw (A) located on the rear of the top cabinet then remove the Top Cabinet.
3. Remove two screw (B) located on the rear of the bottom cabinet then remove the Bottom Cabinet.
4. Remove two screws (C) (one located at the left side and one located at the right side of the Front Bracket) then remove the Left Hook and the Right Hook.
5. Open the panel and remove the Ring and the Panel Bracket.
6. Remove the screw (D) from the main board and remove two screws (E) each side of the base then remove the Base.
7. Remove two screws (F) from the Front bracket and remove two screws (G) from the Rear cabinet. Remove two screws (H) from the front deck bracket then remove the Front Deck Bracket. Remove two screws (I) from the Rear Deck Bracket then remove the Rear Deck Bracket and the Deck.
8. Remove four screws (J) and two screws (K) from the heat sink then remove the Heat Sink and IC 8568 Heat Sink.
9. Remove the screw (L) and remove the Antenna Clip. Remove the screw (M) and remove the Wire Clip.
10. Remove two screws (N) from the rear cabinet of the left side then remove the IC 7809 Bracket.
11. Remove four screws (O) from the main board then remove the Main Board.
12. Remove four screws (O) each side of the rear cabinet then remove the Front Cabinet and the Rear Cabinet.

DISASSEMBLY DIAGRAM



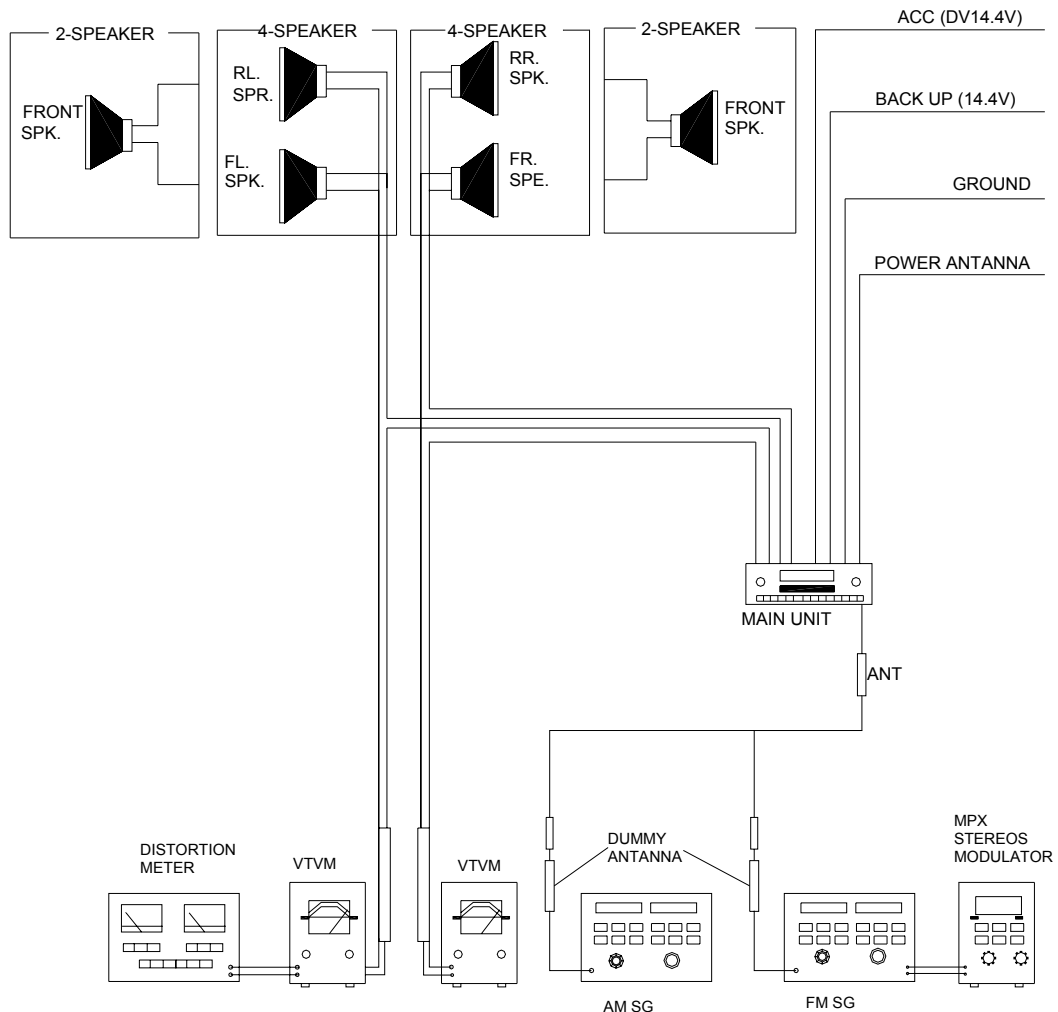
OPERATION CHECK

GENERAL SPECIFICATIONS OF SIGNAL

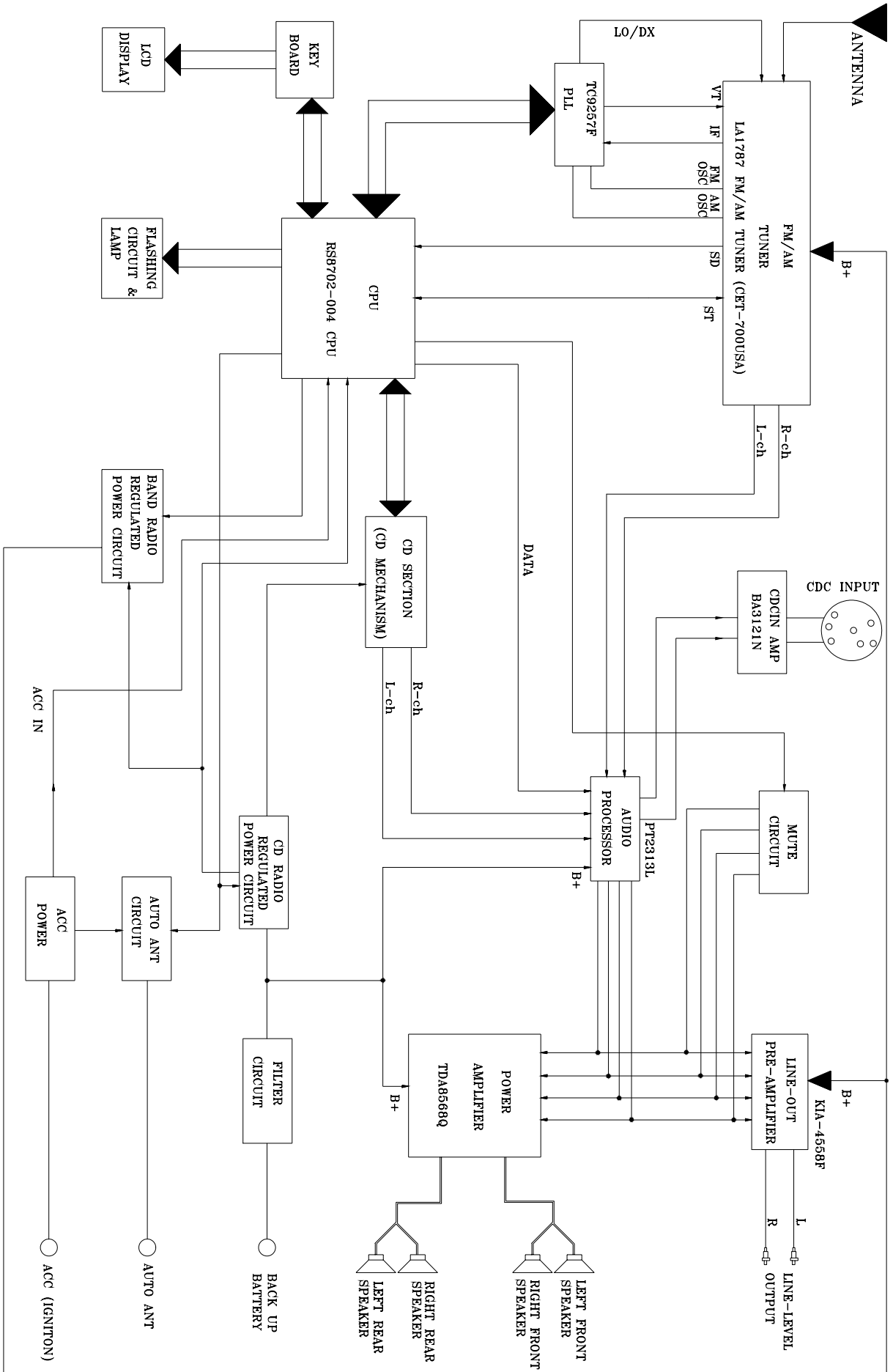
Standard frequency	FM	98.1 MHz	(87.5, 108 MHz)
	MW	1000 KHz	(522, 1620 kHz)
	LW	200 KHz	(144, 288 kHz)
Signal output	FM	1mV	
	MW	5mV	
	LW	5mV	
Modulation	MW	400 Hz	30% MOD.
	FM Stereo	1 kHz	75 kHz DEV.
AF output level	FM/MW/LW		
Power source voltage	DC 14.0V	(Backup voltage is the same as this)	
AF load impedance	4 ohm pure resistance		
Balance	Center position of level		
Tone	Center position		

The signal strength read in this section is voltage on the antenna.

Test Diagram

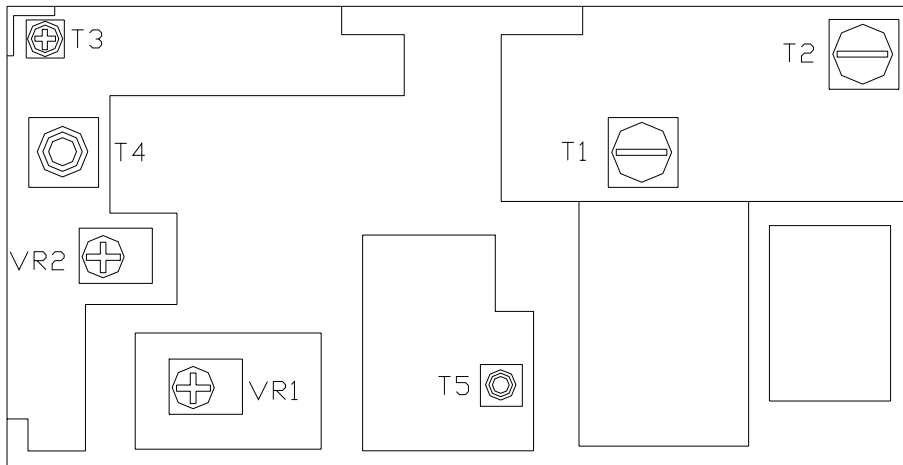
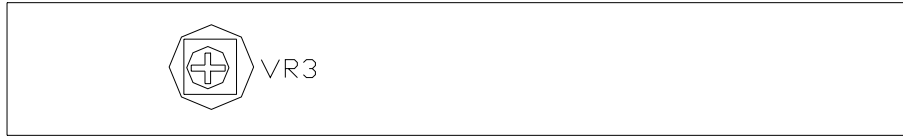


BLOCK DIAGRAM



ALIGNMENT LOCATIONS

FM/AM TUNER



ALIGNMENT PROCEDURES

FM ADJUSTMENT

Equipment Required

- AM IF/RF signal generator
- Solid-state voltmeter (SSVM)
- Regulated DC power supply
- 2-CH voltmeter
- Distortion meter

FM Alignment Using FM Signal Generator

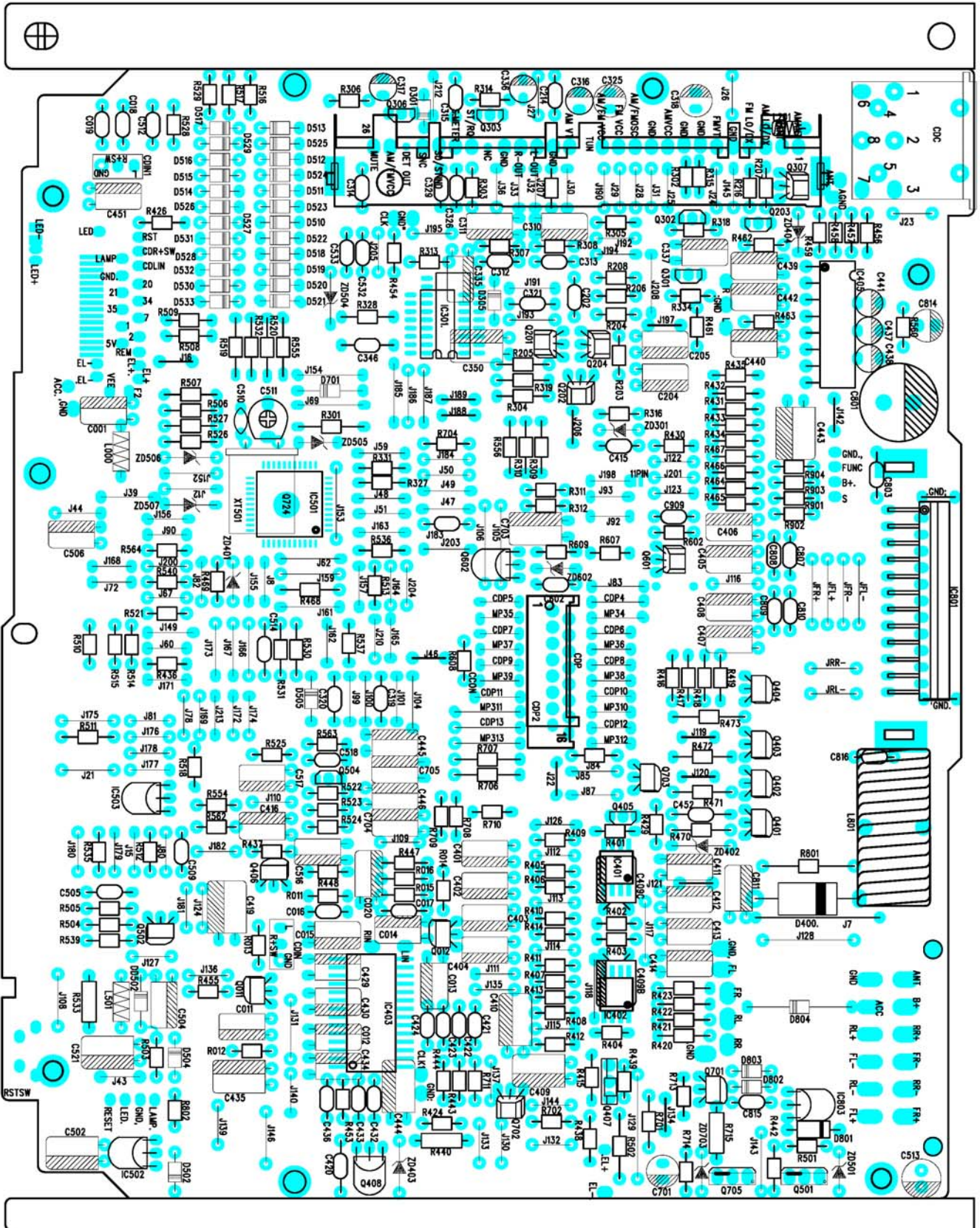
Note: Press the radio power switch to on the radio. Signal generator output must be kept as low as possible to avoid overload and clipping.

Step	Generator Coupling	Generator	Display Setting	Adjustment	Remarks
Stereo Separation	Signal generator to antenna receptacle	98.1 MHz Int. 1 kHz Dev. 75 kHz L+R = 90 % pilot = 10 %	98.1 MHz	VR1	Adjust AF output power at maximum separating more than 30 dB
FM SNC Adjustment	98.1 MHz Dev. 75 kHz L+R=90 % Int. 1 kHz 60dB μ V output	98.1 MHz @ 40 dB μ	98.1 MHz	VR2	Stereo Separation 25 dB (\pm 5 dB)
STOP SENS.	Signal Generator to antenna receptacle	98.1 MHz Mod. 1kHz Dev 75kHz	98.1 MHz	VR3	Adjust AF to stop station.

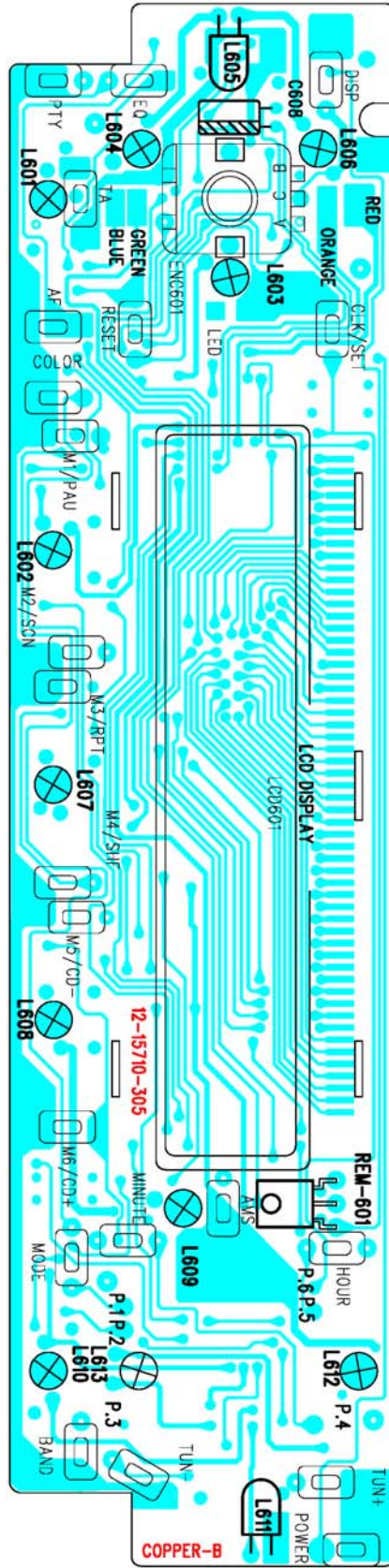
Note: The tuner module is well-adjust and adjustment is not recommended.

PRINTED CIRCUIT BOARDS

MAIN BOARD

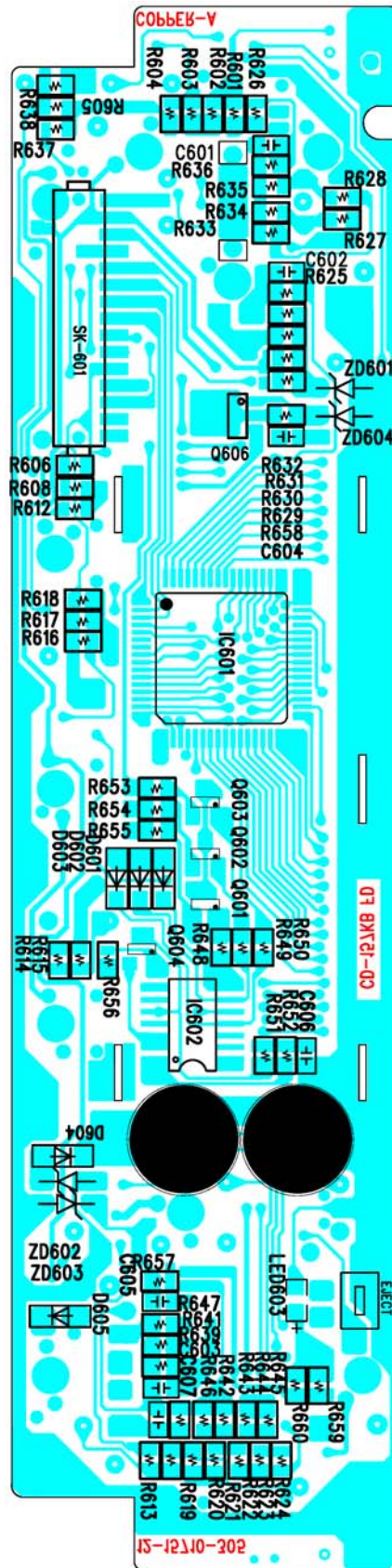


KEY BOARD



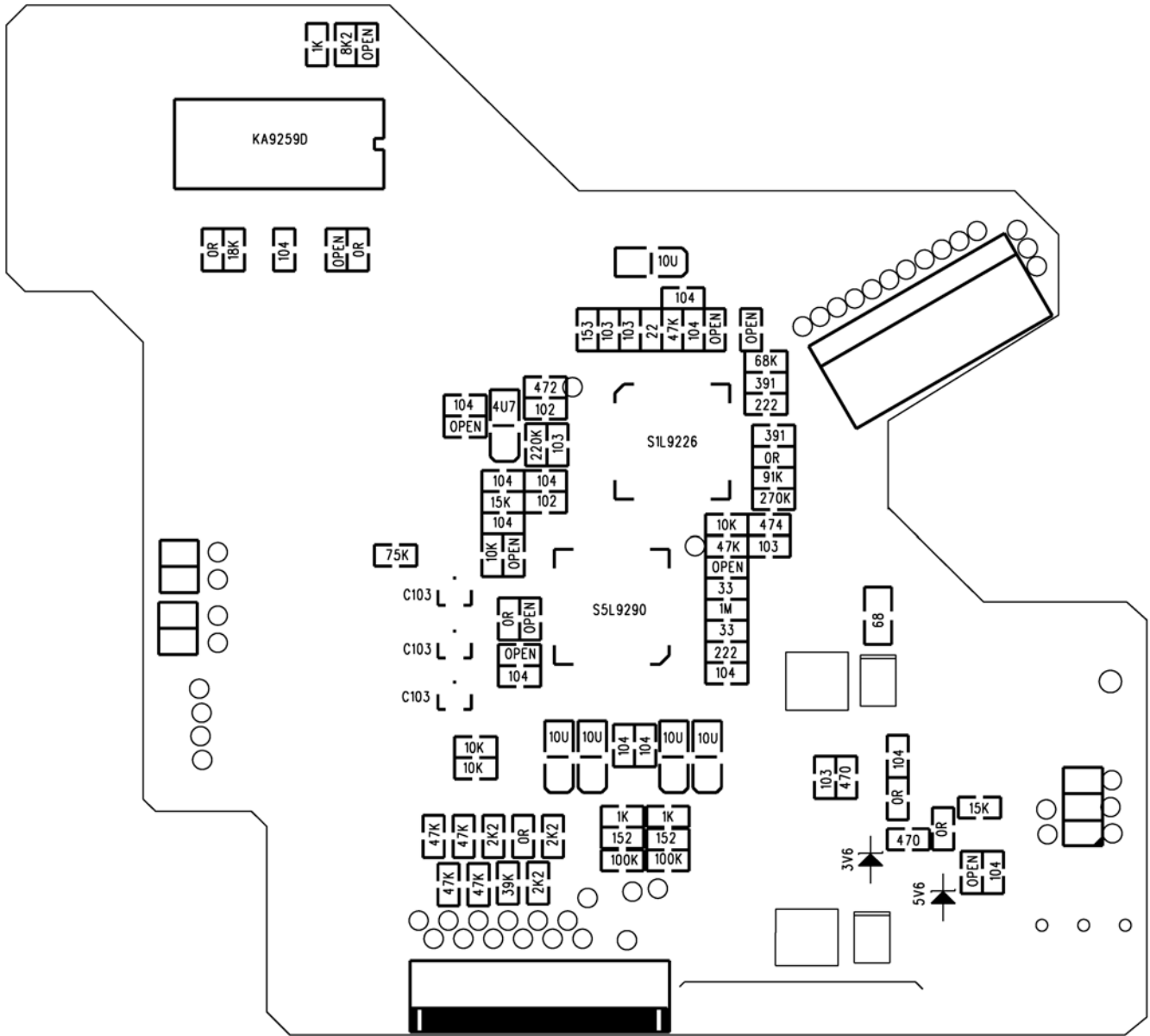
TOP VIEW

KEY BOARD



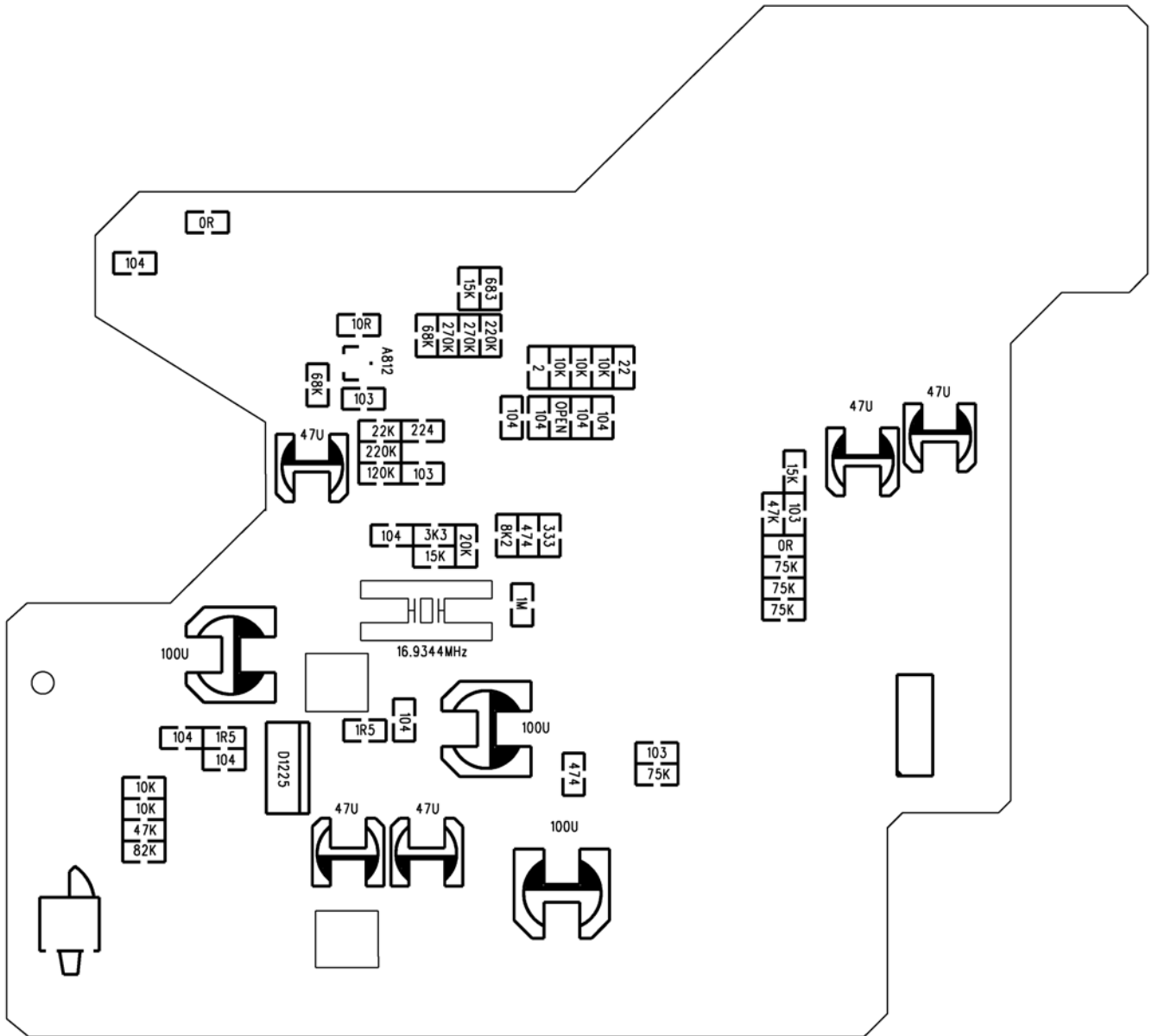
BOTTOM VIEW

CD SERVO BOARD



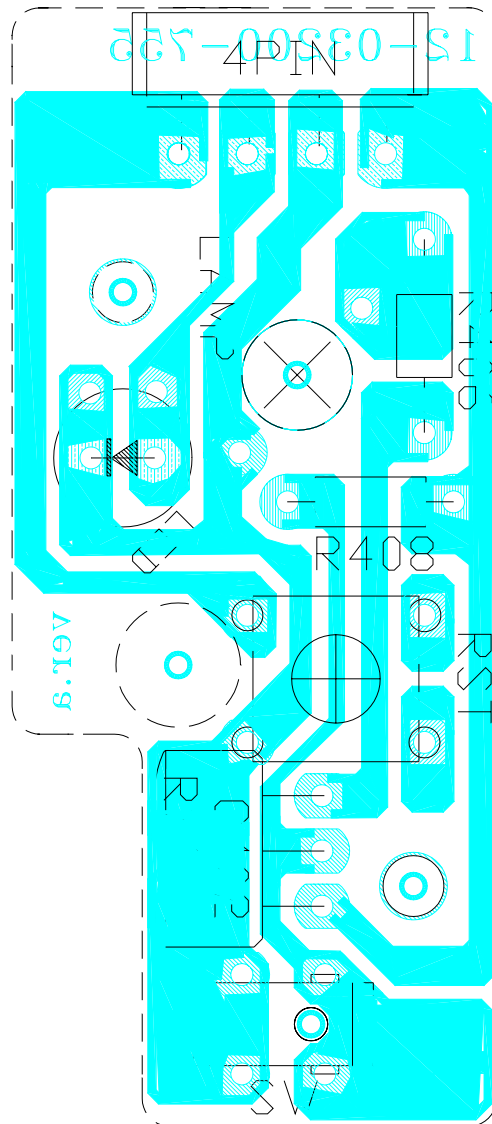
TOP VIEW

CD SERVO BOARD



BOTTOM VIEW

LAMP BOARD



WIRING DIAGRAM

