



AKAI

CD/MP3-RECIVER

Model:
ACR-49MP

SERVICE MANUAL

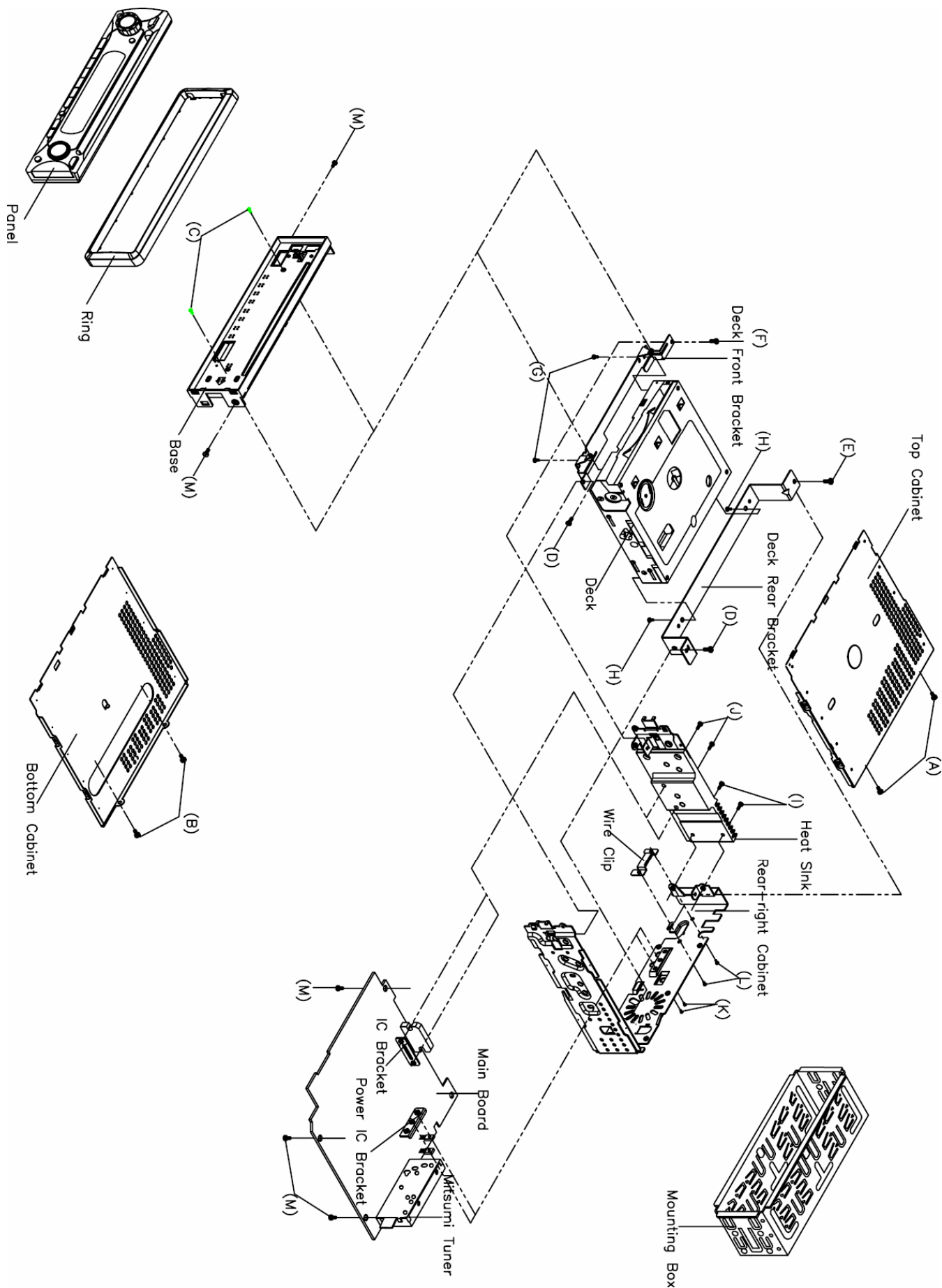
CONTENTS

	Page
Disassembly Instructions	3
Disassembly Diagram	4
Operation Check	5
Block Diagram	6
Alignment Locations	7
Alignment Procedures	8
Printed Circuit Boards	9
Exploded Views (Panel)	15
Exploded View Parts Lists (Panel)	16
Exploded Views (Cabinet)	17
Exploded View Parts Lists (Cabinet)	18
Exploded Views (Deck)	19
Exploded View Parts Lists (Deck)	20
Schematic Diagram	22
Electrical Parts List	25
Specifications	31

DISASSEMBLY INSTRUCTIONS

1. Using the unlock key that came with the unit or a similar tool, unlock the Mounting Box and remove toward the rear of the unit.
2. Remove two screws (A) located on the rear of the top cabinet then remove the Top Cabinet.
3. Remove two screws (B) located on the rear of the bottom cabinet then remove the Bottom Cabinet.
4. Take out the Front Panel and the Ring.
Remove two screws (C) from on the front side of the Base.
5. Remove two screws (D) from on the right side of the Rear-right Cabinet.
Remove the screw (E) from on the left side of the Rear-right Cabinet and the screw (F) on the right side of the heat sink.
6. Remove two screws (G) from under the deck front bracket then remove the Deck Front Bracket.
Remove two screws (H) from under the deck rear bracket then remove the Deck Rear Bracket and the Deck.
7. Remove two screws (I) from on the left side of the heat sink.
8. Remove two screws (J) from on the left side of the heat sink then remove the IC Bracket.
9. Remove two screws (K) from on the rear side of Rear-right Cabinet then remove the Power IC Bracket.
10. Remove the screw (L) from on the back of the side bracket then remove Wire Clip.
11. Remove two screws (M) from each side of the base then remove the Base.
12. Remove three screws (P) from under the main board then remove the Heat Sink, Rear-right Cabinet and the Main Board.

DISASSEMBLY DIAGRAM



OPERATION CHECK

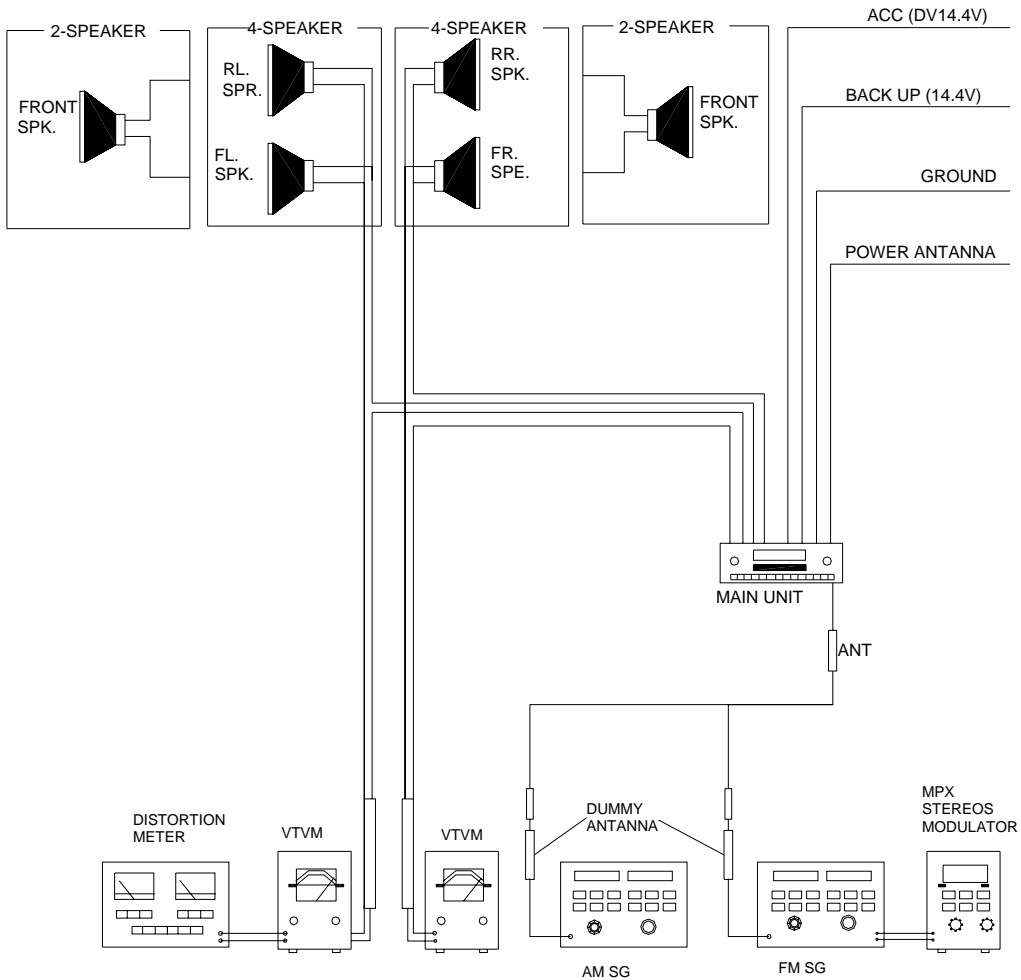
GENERAL SPECIFICATIONS OF SIGNAL

Standard frequency	FM	98.1 MHz (65.0, 74.0MHz)	(87.5, 107.9 MHz)
	MW	1000 kHz (530, 1710 kHz)	
Signal output	FM	1mV	
	MW	5 mV	
Modulation	MW	400 Hz	30% MOD.
	FM Stereo	1 kHz	75kHz DEV.

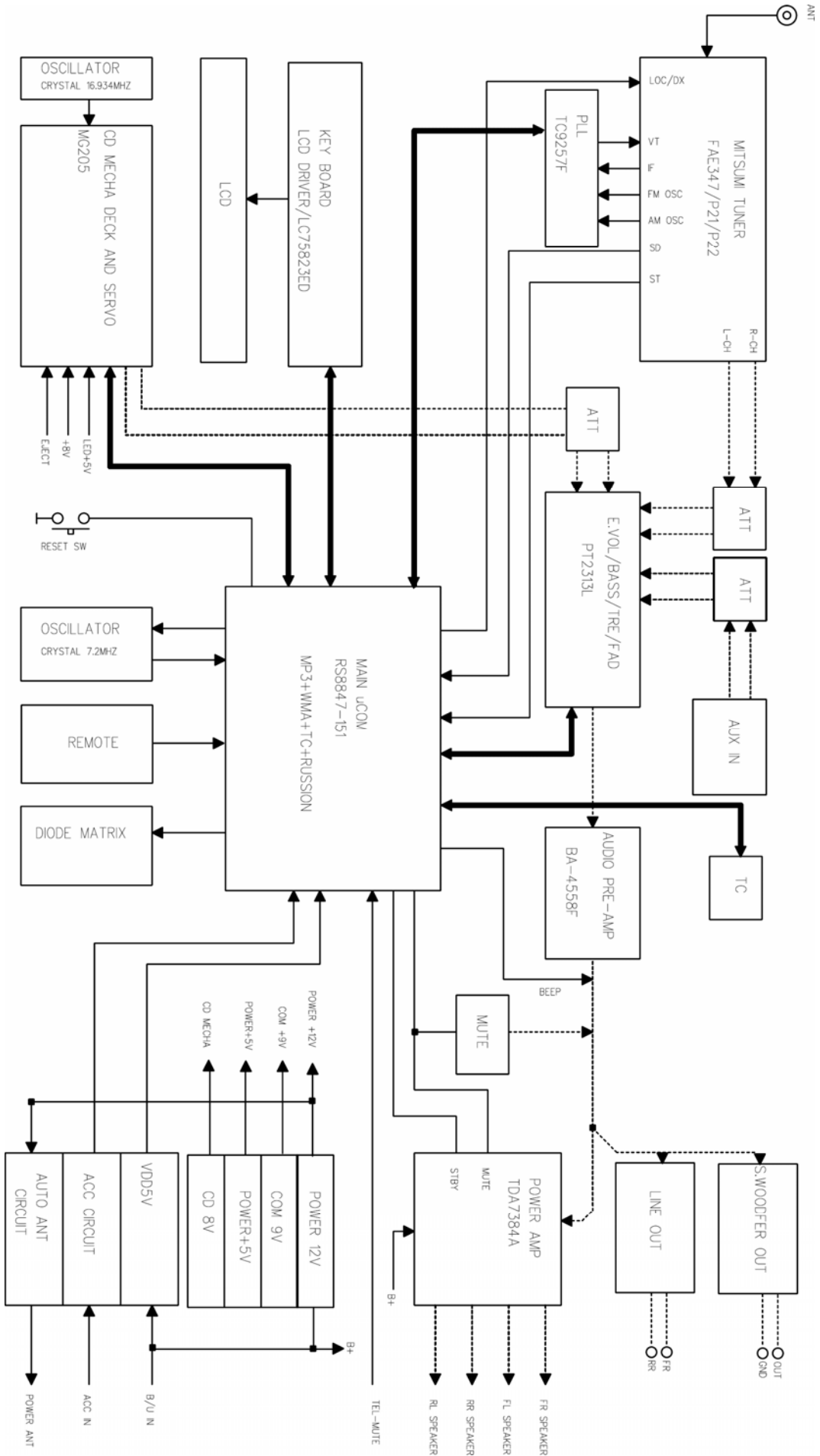
AF output level	FM/MW
Power source voltage	DC 14.0V (Backup voltage is the same as this)
AF load impedance	4 ohm pure resistance
Balance	Center position of level
Tone	Center position

The signal strength read in this section is voltage on the antenna.

Test Diagram

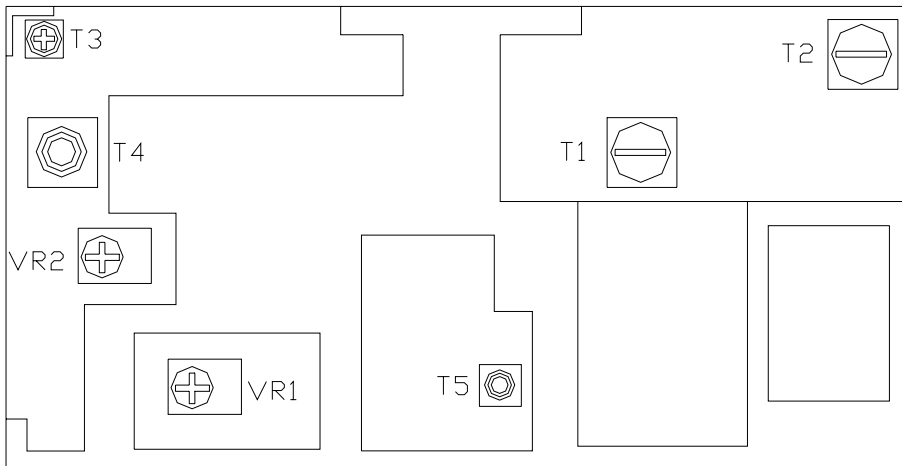


BLOCK DIAGRAM



ALIGNMENT LOCATIONS

MITSUMI BOARD



ALIGNMENT PROCEDURES

FM ADJUSTMENT

Equipment Required

- AM IF/RF signal generator
- Solid-state voltmeter (SSVM)
- Regulated DC power supply
- 2-CH voltmeter
- Distortion meter

FM Alignment Using FM Signal Generator

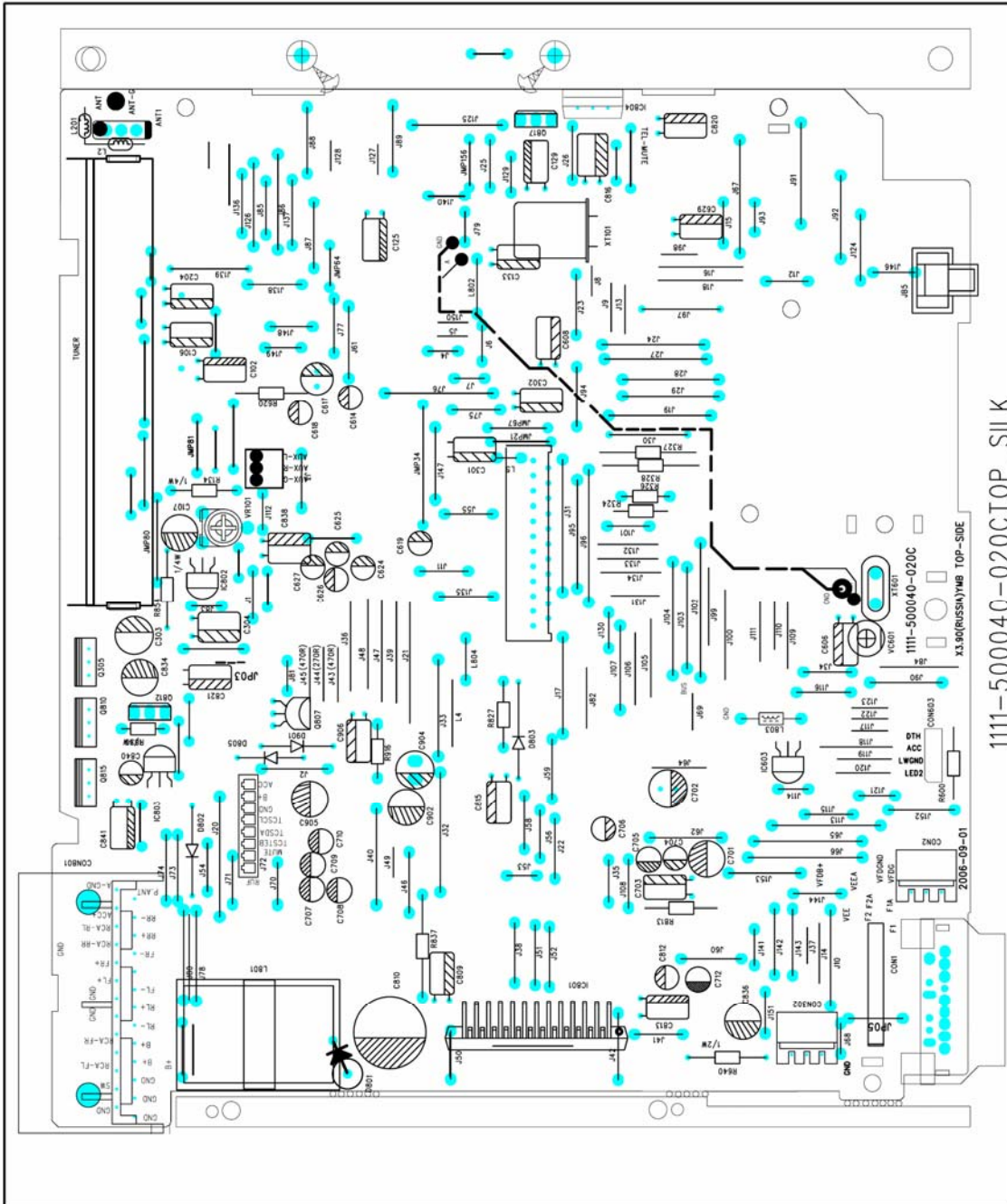
Note: Press the radio power switch to on the radio. Signal generator output must be kept as low as possible to avoid overload and clipping.

Step	Generator Coupling	Generator	Display Setting	Adjustment	Remarks
Stereo Separation	Signal Generator to antenna receptacle	98.1 MHz Int. 1 kHz Dev. 75 kHz L+R = 90 % Pilot = 10 %	98.1 MHz	VR1	Adjust AF output power at maximum separating more than 30 dB
FM SNC Adjustment	98.1 MHz Dev. 75 kHz L+R=90 % Int. 1 kHz 60dB μ V output	98.1 MHz @ 40 dB μ	98.1 MHz	VR2	Stereo Separation 25 dB (\pm 5 dB)
Stop SENS.	Signal Generator to antenna receptacle	98.1 MHz Mod. 1kHz Dev 75kHz	98.1 MHz	VR3	Adjust AF to stop station.

Note: The tuner module is well-adjust and adjustment is not recommended.

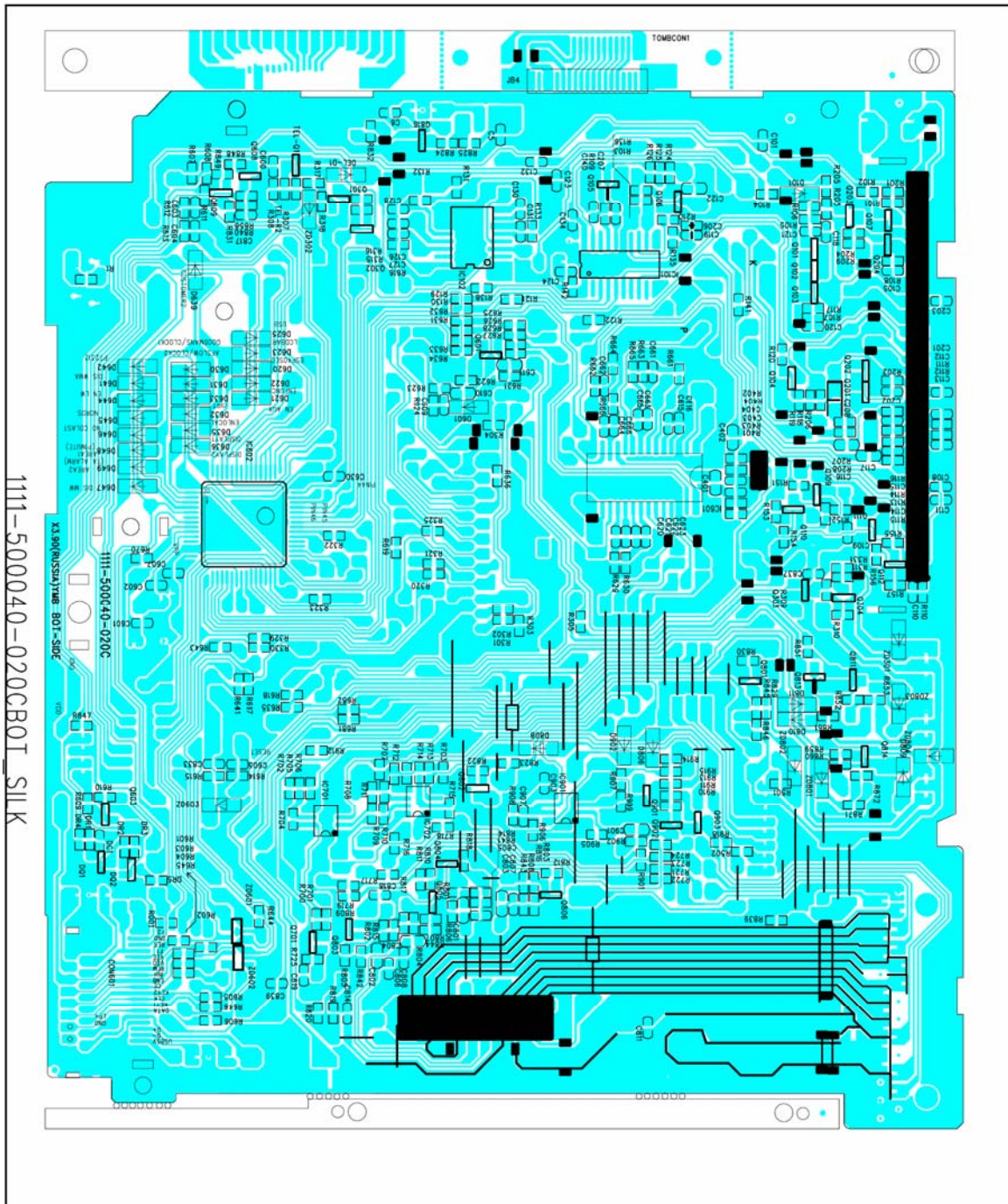
PRINTED CIRCUIT BOARDS

MAIN BOARD



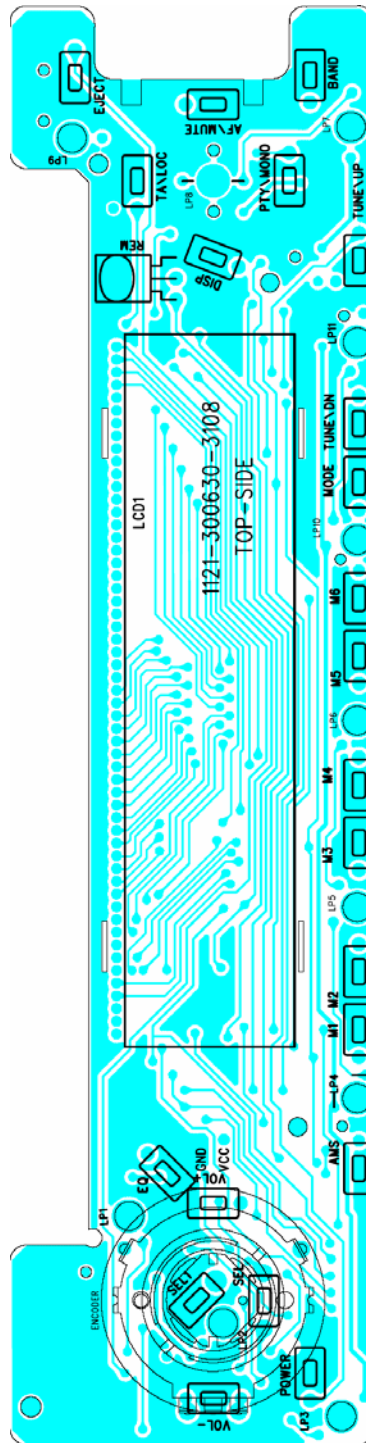
TOP VIEW

MAIN BOARD



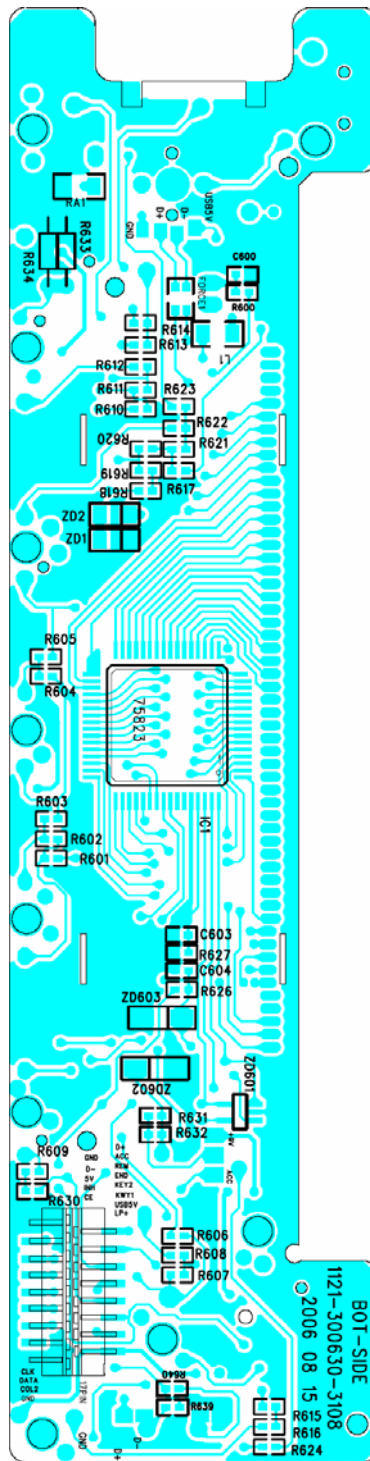
BOTTOM VIEW

KEY BOARD



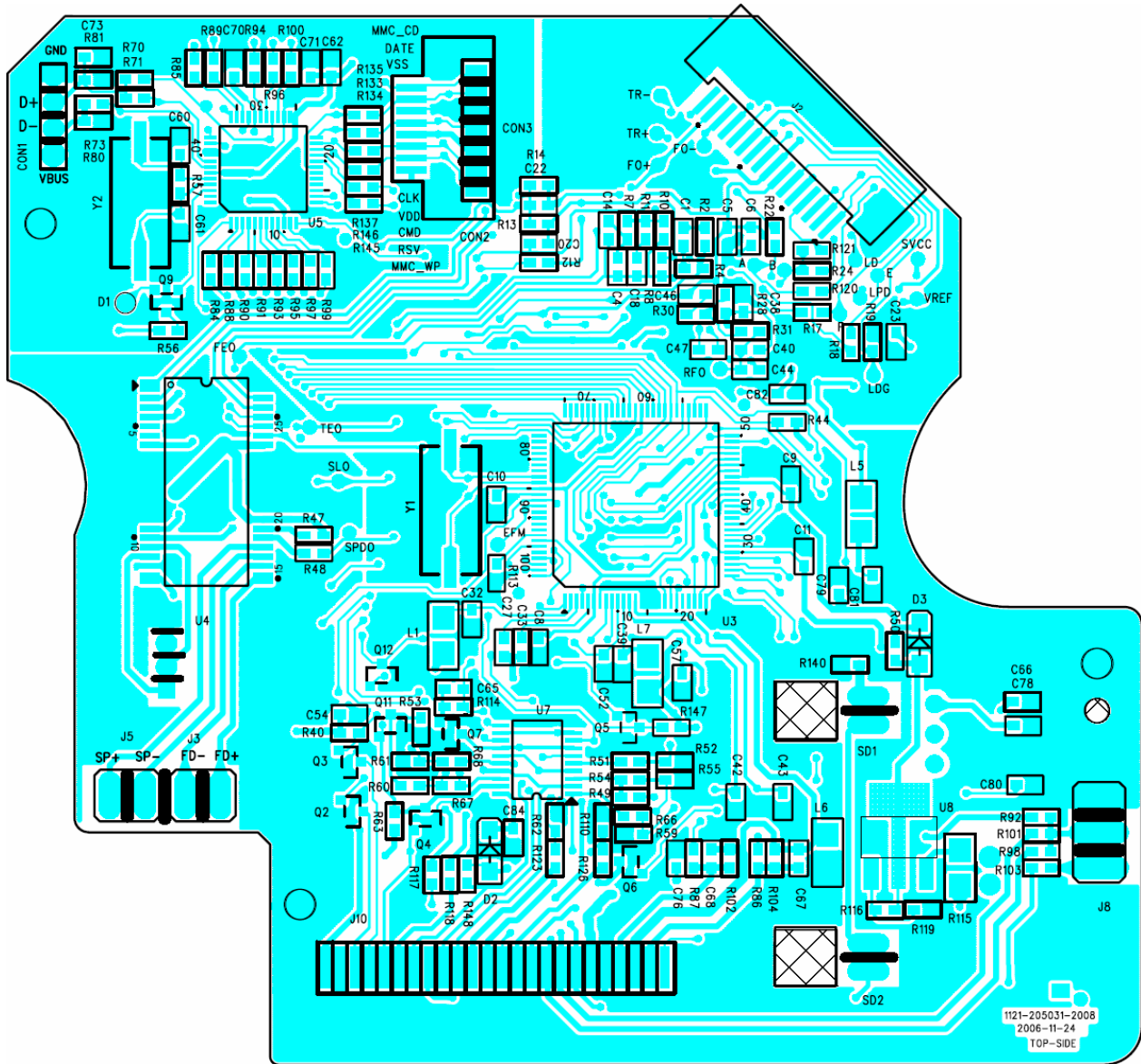
TOP VIEW

KEY BOARD



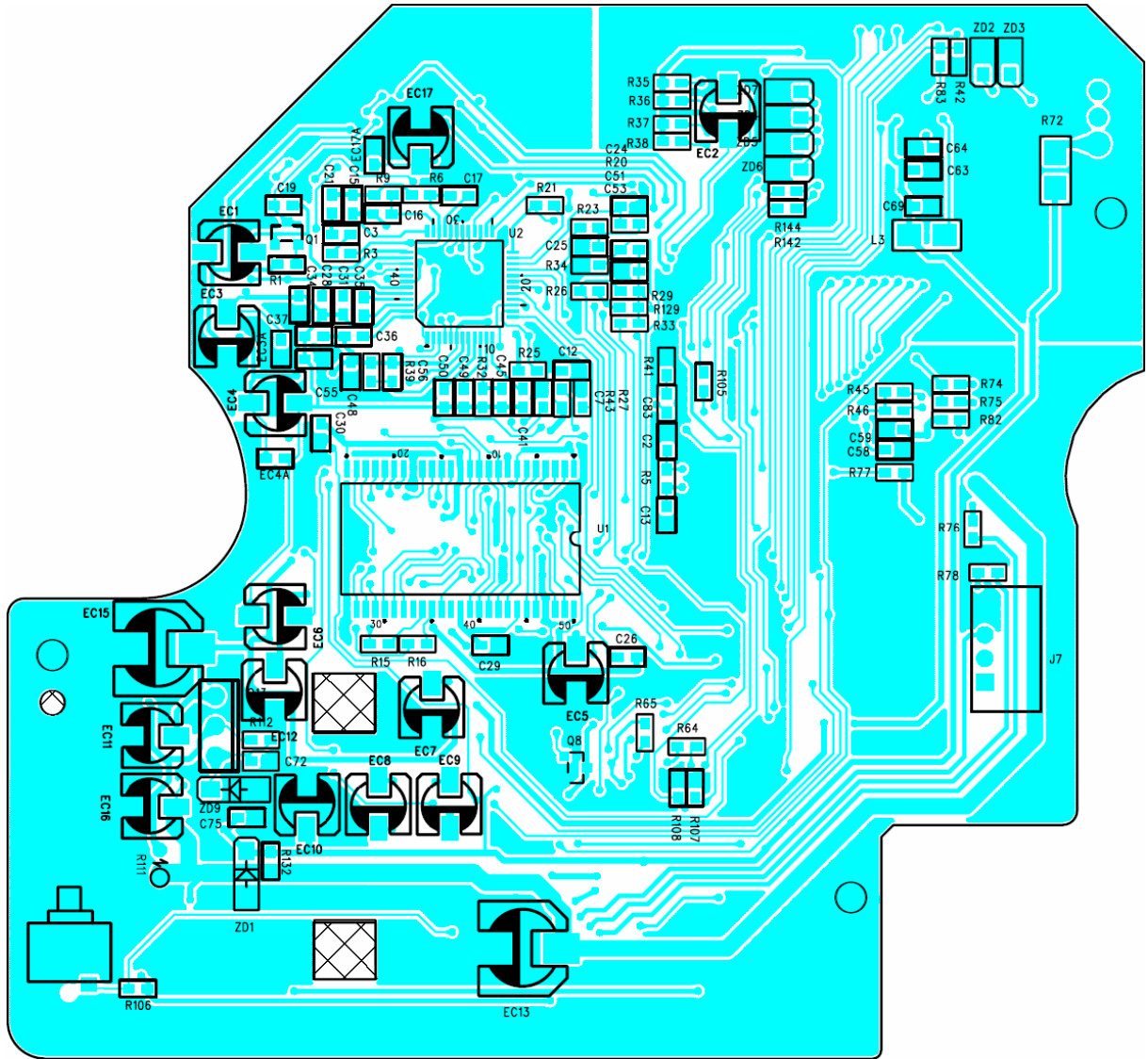
BOTTOM VIEW

CD SERVO BOARD



TOP VIEW

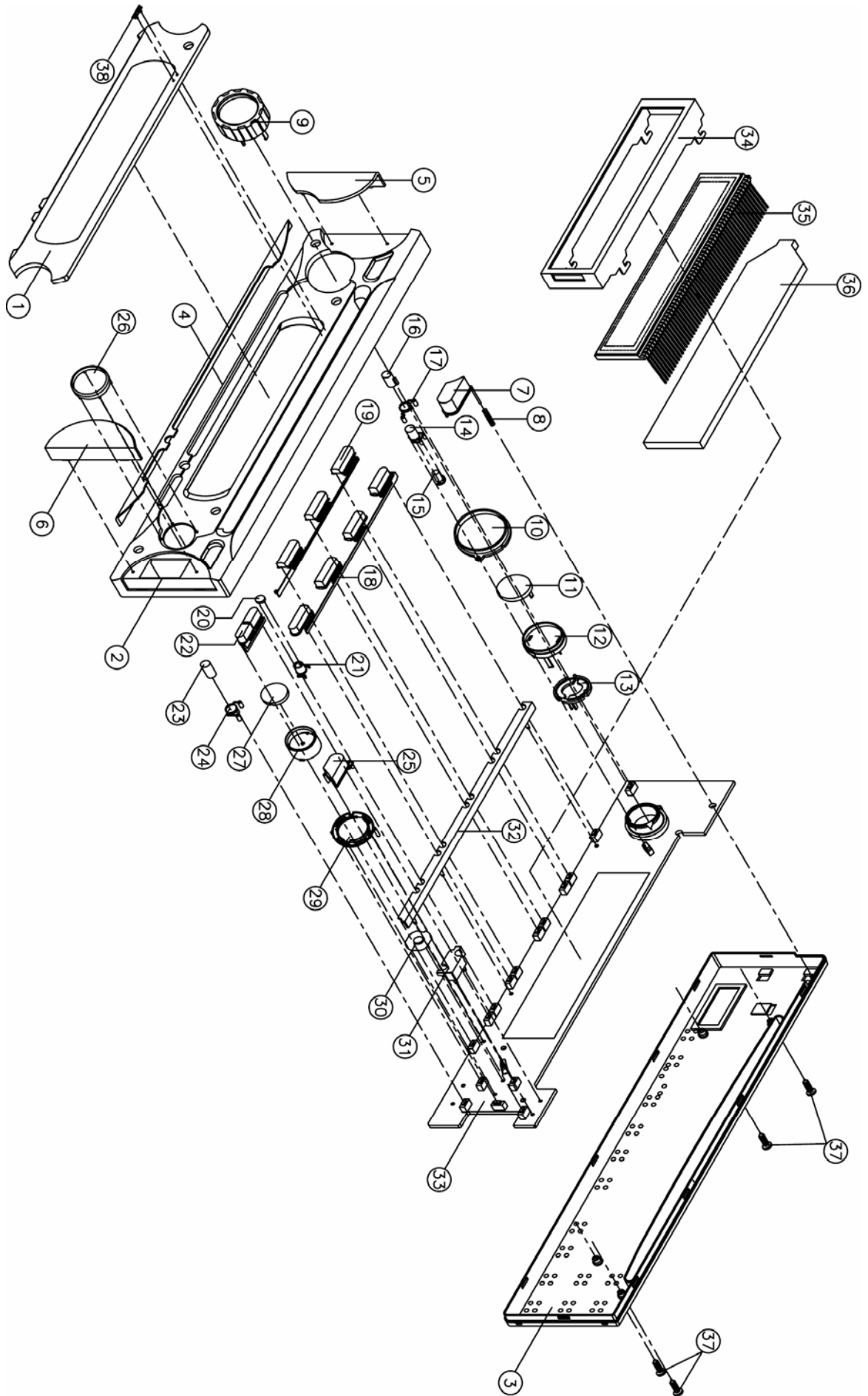
CD SERVO BOARD



BOTTOM VIEW

EXPLODED VIEW

PANEL



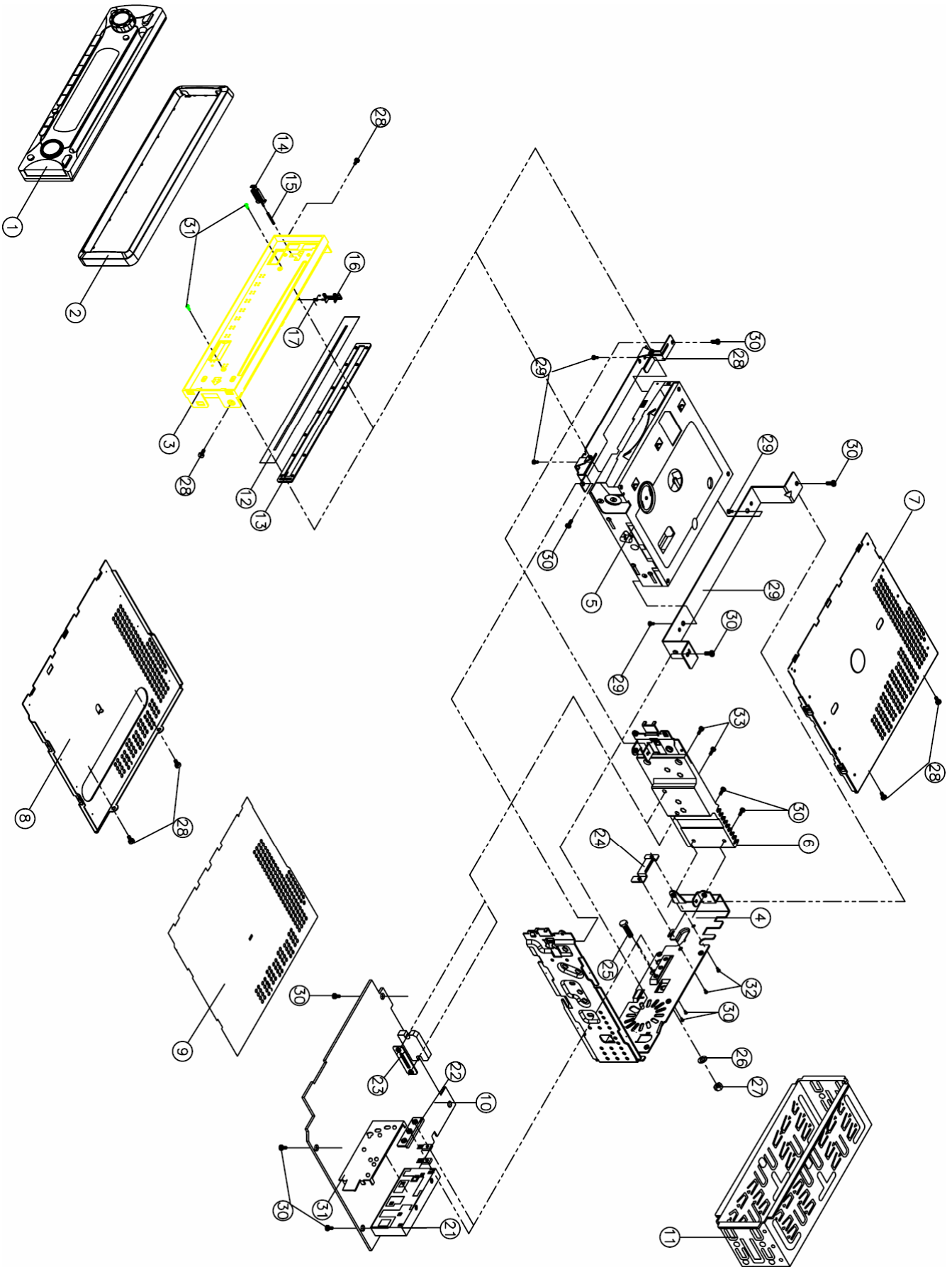
EXPLODED VIEW PARTS LIST

PANEL

Ref. No.	Description	RS Part No.	Mfr's Part No.
1	Lens(S.N0000/WHT)DX3.82.25N/SW/IR(AKAI ACR-49MP) ROHS		5300-0J2060-357
2	T. Panel (S. N1204) X3.18.9 ROHS		5100-0J2021-82Y
3	Panel Bottom ROHS		5100-0C2522-00
4	Decorate B (S. N1204) ROHS		5200-0J2039-80
5	Left Decorate A (S. N1204) ROHS		5200-0J2038-80
6	N/USB Decorate D (S. N1204) ROHS		5200-0J2041-80
7	Release (S. N1204) ROHS		5200-0J2035-80
8	"Open" Spring ROHS		3600-040205-00
9	SEL Base (S. N1204) ROHS		5200-0J2037-80
10	Decorate For Volume (Crystal/Red) ROHS		5200-0J2058-50
11	SEL Knob (L-Up) (S. N1204) ROHS		5200-0J2029-81
12	SEL Knob-A (Crystal/Red) ROHS		5200-0J2057-50
13	Stopper For SEL ROHS		5200-0J2056-00
14	EQ (L-Up) (S. N1204) ROHS		5200-0J2022-81
15	Adaptor For EQ ROHS		5200-0J2053-00
16	Power (Crystal/Red Warm Red C) ROHS		5200-0J2051-51S
17	Adaptor For PWR ROHS		5200-0J2033-00
18	AS/PS/2SCN/4SHF/6 (L-Up) (S. N1204) ROHS		5200-0J2025-82
19	1PAU/3RPT/5 (L-Up) (S. N1204) ROHS		5200-0J2026-82
20	MD (L-Up) (S. N1204) ROHS		5200-0J2030-81
21	MD Knob (Crystal/Red) ROHS		5200-0J2052-50
22	TUN/TRK (L-Up) (S. N1204) ROHS		5200-0J2024-81
23	BND (Crystal/Red Warm Red C) ROHS		5200-0J2051-52S
24	Adaptor For BND ROHS		5200-0J2032-00
25	EJ (L-Up) (S.N1204) ROHS		5200-0J2021-81
26	Decorated Ring (S. N1204) ROHS		5200-0J2036-80
27	LOC/MON/DSP/MUT (L-UP) (S.N1204) ROHS		5200-0J2027-82
28	4D Knob (Clear/Red) ROHS		5200-0J2054-50
29	Adaptor For 4D ROHS		5200-0J2034-00
30	B-L For 4D ROHS		5200-0J2055-00
31	B-L For CD-Mouth ROHS		5200-0J2023-00
32	B-L For Main Key ROHS		5200-0J2062-00
33	Key Board		1121-300630-3108
34	LCD Bracket Real (E) ROHS		3900-0E2004-00
35	CD3001 LCD TN NEG COLOR Black Mask 22X84 PIN ROHS		2700-300200-110Y
36	CD1007 B. Light /White ROHS		0200-001007-09
37	Screw Ø2X8 BA/ST Black ROHS		4000-012008-21
38	AKAI Logo (S. N0000) Silver Hot Stamp ROHS		5200-0G6340-31

EXPLODED VIEW

CABINET

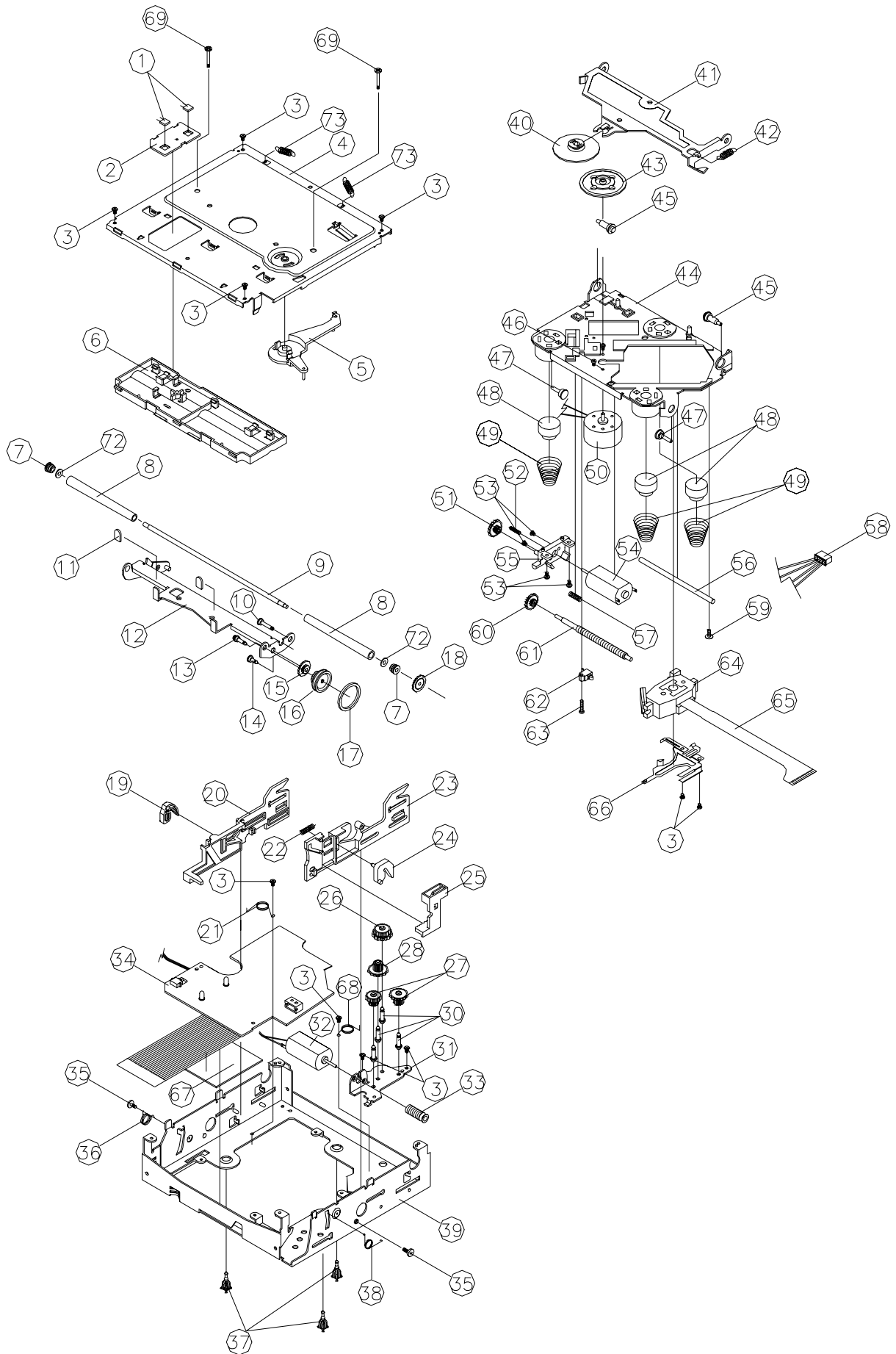


EXPLODED VIEW PARTS LIST

CABINET

Ref. No.	Description	RS Part No.	Mfr's Part No.
1	Panel		
2	Ring (S.N1204) ROHS		5100-0E2022-80A
3	Base Real (E) /777 ROHS		5100-0E2020-00
4	Rear-right Cabinet W/Spring For CD-wire ROHS		6100-300002-002
5	CD MECH. MG205 (205) ROHS		9400-002050-01
6	Left Cabinet-heat Sink W/Spring ROHS		6100-300004-003
7	Top Cabinet ROHS		6100-300001-000
8	Bottom Cabinet ROHS		6100-300002-000
9	Main Fiber ROHS		3500-300001-000
10	Main Board		1111-500040-020C
11	Mounting Box ROHS		6100-300005-000
12	Shade ROHS		8100-069005-03
13	CD Windows Sheet ROHS		4300-0A3103-00
14	Lock Panel Knob ROHS		5200-0E2041-00
15	Spring For EJ Panel CD300 ROHS		3600-0E2001-00
16	Hook Knob ROHS		5200-0E2040-01
17	Spring For Hook Knob CD300 ROHS		3600-0E2002-00
18	Deck Front Bracket (Detachable) ROHS		3900-300001-000
19	Deck Rear Bracket for CD ROHS		3900-300002-000
20	FM Cover ROHS		3900-0W2001-00
21	M.FAE347/P21/P22 East Furepe 1 Pack 65-108MHJ ROHS		2900-000347-03
22	Power IC Bracket ROHS		3900-300006-000
23	IC Bracket For Regulator ROHS		3900-300007-000
24	Wire Clip 1.0MM ROHS		3900-0B1415-00
25	Screw Ø5X18 HH ROHS		4000-005018-04
26	Spring Washer M5 ROHS		3500-050001-00
27	Hexagon Nut M5 ROHS		3500-040005-00
28	Screw Ø2.6 X 4 BH/MS ROHS		4000-002604-01
29	Screw Ø2.6 X 5 BH/TAPTITE ROHS		4000-002605-03
30	Screw Ø2.6 X 6 BH/MS ROHS		4000-002606-01
31	Screw Ø2.6 X 6 BH/MS Black ROHS		4000-012606-01
32	Screw Ø2.6 X 8 BH/MS ROHS		4000-002608-01
33	Screw M2.6 X 20 PH/MS ROHS		4000-002620-00

EXPLODED VIEW (DECK)



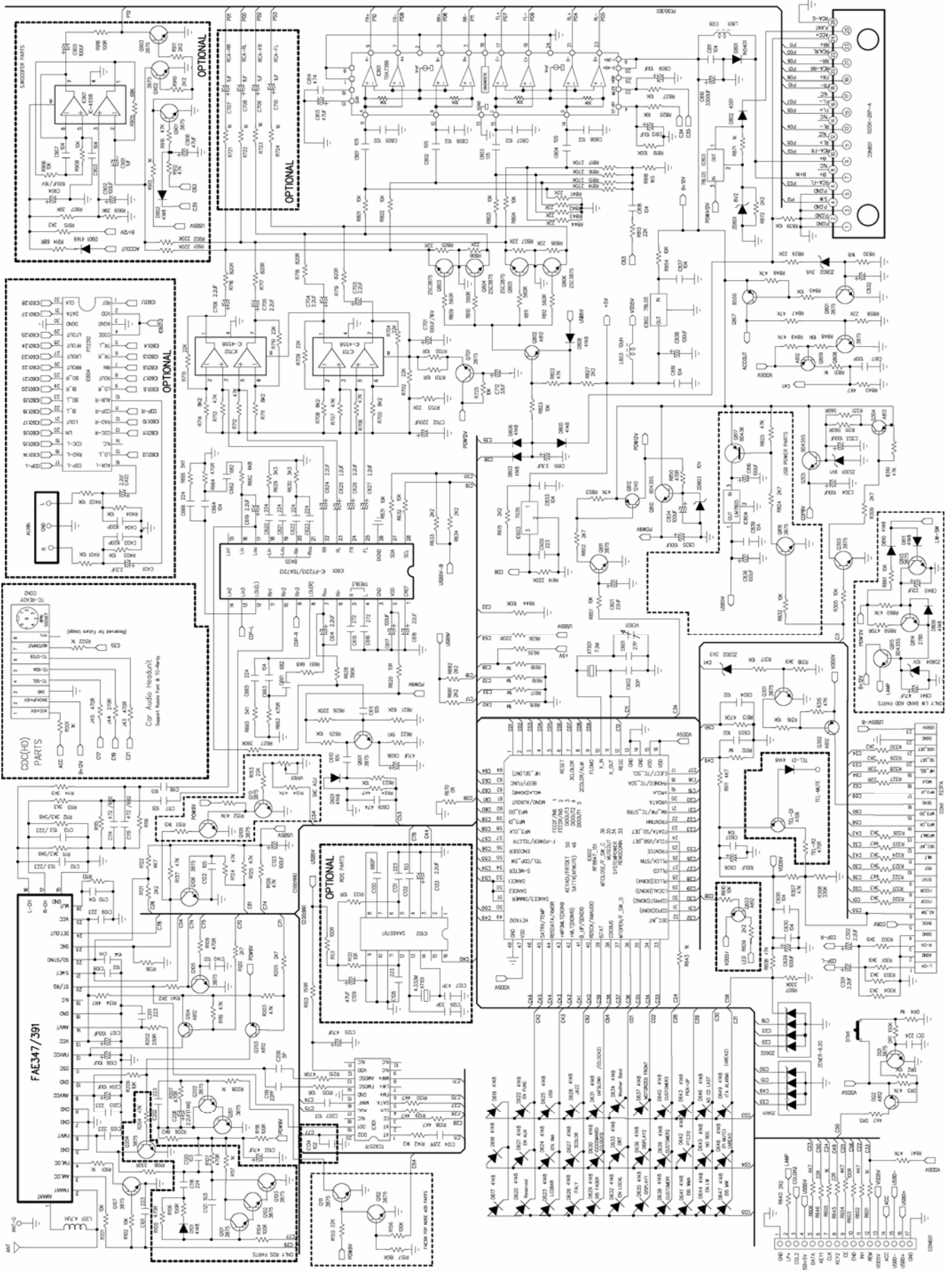
EXPLODED VIEW PARTS LIST (DECK)

Ref. No.	Description	Parts No.	Q'ty
1	SENSOR	ST-23G	2
2	SENSOR PCB	FR	1
3	SCREW	CA/H 0" TT 2*3	12
4	COVER-UPPER	SECC T1.0	1
5	LEVER DISC	POM (F20-03)	1
6	GUIDE UP	POM (F20-03)	1
7	BUSHING ROLLER	POM (F20-03)	2
8	ROLLER DISC	SLICON	2
9	SHAFT ROLLER	SUS 303	1
10	PIN ROLLER	SUM24L-NI (PLATE)	1
11	PVC CAP	PVC	2
12	B/K ROLLER	SECC T1.0	1
13	PIN PULLEY	SUM24L-NI (PLATE)	1
14	PIN IDLE	SUM24L-NI (PLATE)	1
15	GEAR IDLE	POM (F20-03)	1
16	GEAR PULLEY	POM (F20-03)	1
17	BELT PULLEY	CR-WRT	1
18	GEAR ROLLEY	POM (F20-03)	1
19	LOCKER (L)	POM (F20-03)	1
20	CAM (L)	POM (F20-03)	1
21	S/P CAM (L)	SUS304WPB	1
22	S/P RACK	SUS304WPB	1
23	CAM (R)	POM (F20-03)	1
24	LOCKER ®	POM (F20-03)	1
25	GEAR RACK	POM (F20-03)	1
26	GEAR LOAD ©	POM (F20-03)	1
27	GEAR LOAD (D)	POM (F20-03)	1
28	GEAR LOAD (B)	POM (F20-03)	1
29	GEAR LOAD (A)	POM (F20-03)	1
30	PIN LOAD	SUM24L-NI (PLATE)	4
31	B/K GEAR	SECC T1.0	1
32	MOTOR	FF-050SH-11190	1
33	GEAR WORM	POM (F20-03)	1
34	SERVO PCB ASSY	GLASS EPOXY 1.2T	1
35	SPECIAL SCREW	P/H TTS 2*2	4
36	S/P RO (L)	SUS304WPB	1
37	SUPPORT DAMPER	POM (F20-03)	3
38	S/P RO ®	SUS304WPB	1
39	CHASSIS MAIN	SEEC T1.0	1

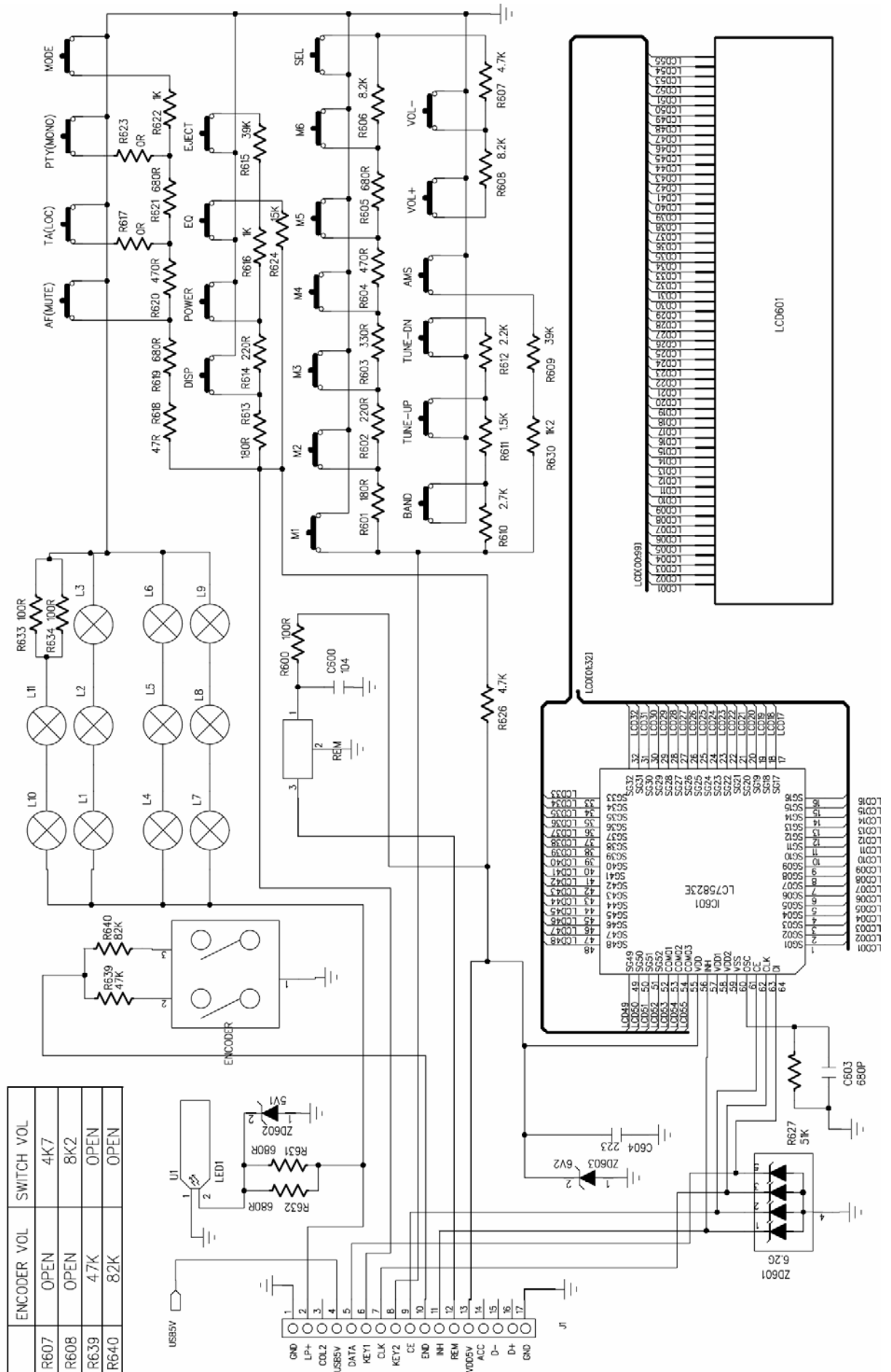
EXPLODED VIEW PARTS LIST - CONTINUED (DECK)

Ref. No.	Description	Parts No.	Q'ty
40	CLAMP DISC	POM (F20-03)	1
41	HOLD CLAMPER	SECC T1.0	1
42	S/P CLAMPER	SUS304WPB	1
43	TURN TABLE	ABS G/F 20%	1
44	BASE PU	POM (F20-03)	1
45	PIN SIDE (A)	SUM24L-NI (PLATE)	2
46	SCREW	CA/H 0" M/S 1.7*2.5	2
47	PIN SIDE (B)	SUM24L-NI (PLATE)	2
48	DAMPER	BUTHYL	1
49	S/P BASE	SUS304WPB	2
50	MOTOR	RF-400CA-12265	1
51	GEAR PU (B)	HYTRELL 5526	1
52	GEAR PU (A)	POM (F20-03)	1
53	SCREW	CA/H 0" M/S 2*2	6
54	MOTOR	FF-050SH-11190	1
55	HOUSING GEAR	POM (F20-03)	1
56	SHAFT PU	KNN11 (PCD18)	1
57	SCREW	R/H (W/W) TTB2*5	1
58	4P CONT WIRE	1007 #28	1
59	SPRING TENSION	SUS304WPB	1
60	GEAR PU ©	POM (F20-03)	1
61	LEAD SCREW	BSBM	1
62	SWITCH	SW-110	1
63	SCREW	B/H TTB1.7*8	1
64	PICK UP	MG205	1
65	FPC WIRE	POLY AMIDE	1
66	SPRING PU	SUS T0.2	1
67	FIBER PAPER		1
68	S/P CAM ®	0.55	1
69	TRANSIT SCREW	4.5*18	2
70	INSULATOR COVER	PE	1
71	SWITCH	SW-111	1
72	WASHER PE	PE	2
73	S/P BASE ®	SUS304WPB	2

SCHEMATIC DIAGRAM (MAIN BOARD)



SCHEMATIC DIAGRAM (KEY BOARD)



ELECTRICAL PARTS LIST

Ref. No.	Part No.	Description	Q'ty
PC BOARD ASSY, MAIN BOARD			
IC804	0100-007805-00	IC,78L05 TO-92 ROHS	1
D625,D630,D639	0200-004148-02	DIODE SMD RLS4148 LL-34 ROHM ROHS	3
IC601	0300-007313-01	IC SC-7313 (SILAN) ROHS	1
IC801	0300-007388-00	IC TDA7388 (4x40W) ST "Y" ROHS	1
IC602	0300-0F8847-151	CPU RF8847-151 MP3+WMA+TC+RUSSION FONT	1
R704,R709,R710,R715	0700-063273-00	RES SMD 27KΩ ±5% 1/10W 0603 ROHS	4
	1111-500040-020	CD(D)5000YMB9X3.90 RUSSIA)	1
	C	183X152X1.6MM	
RESET	1600-000244-00	SWITCH TACT KFC-A06-2WA 7.4×6.5×6.6MM	1
		XYS ROHS	
	2500-0F2006-17	CONNECTOR FEMALE 17PIN P=2.0MM	1
		DR-F17-2.0 EASTSUN ROHS	
ANT	3200-083210-01	ANT SOCKET W/GND ⌀ 3MM L=210MM	1
		ROHS	
Q810,Q305	0100-000435-00S	TR NPN BD435S TO-126 FAIRCHLD ROHS	2
Q802,Q809,Q104,Q302,Q304	0100-000812-00F	2SA812-G(ROHS)	5
Q812	0100-001240-00	TRANSISTOR B1240 ROHS	1
Q105~107,Q601,Q801,Q803~806,Q808,Q811,Q301,Q303,Q701	0100-003875-07F	TR NPN KTC3875-GR SOT-23 ROHS	14
I802,IC803	0100-007805-00	IC,78L05 TO-92 ROHS	2
Q807	0100-008550-03	TR PNP SS8550C TO-92-B ROHS	1
D802	0200-004001-00	DIODE IN4001 DO-41 ROHS	1
D803,D805	0200-004148-00A	DIODE 1N-4148 DO-35 TAPPING ROHS	2
D601,D806,D632,D808	0200-004148-02	DIODE SMD RLS4148 LL-34 ROHM ROHS	4
D801	0200-005401-00	DIODE IN5401 DO-27 ROHS	1
ZD302	0200-050033-54	ZENER DIODE SMD 3.3V 0.5W ±2% LL-34	1
		ROHS	
ZD802	0200-050036-02	ZENER DIODE SMD 3.6V 0.5W ±2% LL-34	1
		ROHS	
ZD801	0200-050082-01	ZENER DIODE SMD 8.2V 0.5W LL-34 ROHS	1
ZD301	0200-050091-03	ZENER DIODE SMD 9.1V 0.5W ±2% LL-34	1
		ROHS	
ZD803	0200-050100-02	ZENER DIODE SMD 10V 0.5W ±5% LL-34	1
		ROHS	
IC701,IC702	0300-004558-26S	IC UTC4558 SOP (SILAN) ROHS	2
IC603	0300-007035-00	IC KIA7035AP TO-92 ROHS	1
IC101	0300-009257-00H	IC SC9257 ROHS	1
XT601	0400-000072-01H	CRYSTAL OSCILLATOR 7.2MHZ ±30PPM	1
		HC-49U/S ROHS	
C805~808	0500-003102-10	CER.CAP SMD 1000PF 50V ±10% 0805 Y5P	4
		ROHS	
C122,C610,C116,C117,C611,C801~804	0500-003105-10	CER.CAP SMD 1uF 25V ±20% X7R 0805	9
		ROHS	
C601	0500-003270-05S	CER.CAP SMD 27PF 50V ±5% NPO 0805	1
		ROHS	
C602	0500-003330-05S	CER.CAP SMD 33PF 50V ±5% NPO 0805	1
		ROHS	
C817	0500-063101-00	CER.CAP SMD 100PF 50V ±5% NPO 0603	1
		ROHS	
C603,C604,C140	0500-063102-01	CER.CAP SMD 1000PF 50V ±10% X7R 0603	3
		ROHS	

ELECTRICAL PARTS LIST-CONTINUED

Ref. No.	Part No.	Description	Q'ty
C207	0500-063103-01	CER.CAP SMD 0.01uF 50V ±10% X7R 0603 ROHS	1
C110,C111,C607,C811,C833, C819,C663,C664,C630,C600, C839,C837,C818,C108,C123 C119,C124	0500-063104-01	CER.CAP SMD 0.1uF 50V ±10% X7R 0603 ROHS	15
	0500-063220-00	CER.CAP SMD 22PF 50V ±5% NPO 0603 ROHS	2
C101,C105,C109,C605	0500-063223-01	CER.CAP SMD 0.022uF 50V ±10% X7R 0603 ROHS	4
C620~623,C665,C666	0500-063224-01	CER.CAP SMD 0.22uF 16V ±10% X7R 0603 ROHS	8
C615,C616	0500-063272-01	CER.CAP SMD 2700PF 50V ±10% X7R 0603 ROHS	2
C814,C609	0500-063474-01	CER.CAP SMD 0.47uF 25V +80/-20% Y5V 0603 ROHS	2
C661,C662	0500-063682-01	CER.CAP SMD 6800PF 50V ±10% X7R 0603 ROHS	2
C606,C629,C617,C303,C304, C107,C838	0600-010107-01	E.CAP 100uF 10V ±20% § 5X7MM ROHS	7
C702	0600-010227-01	E.CAP 220uF 10V ±20% § 6×7MM ROHS	1
C125,C813,C608,C102	0600-010476-03	E.CAP 47uF 10V ±20% § 6×5MM ROHS	4
C809,C812,C106	0600-016106-02	E.CAP 10uF 16V ±20% § 3.5×5MM ROHS	3
C834,835,701	0600-016107-03	E.CAP 100uF 16V +/-20% 5X7MM ROHS	3
C618,C821	0600-016226-01	E.CAP 22uF 16V ±20% § 4×7MM ROHS	2
C712	0600-016336-02	E.CAP 33uF 16V ±20% § 6.3×5MM ROHS	1
C810	0600-016338-00S	E.CAP 3300uF 16V ±20% § 13×25MM ROHS	1
C614,C619,C624~627,C703~7 06,C301,C302	0600-050225-02	E.CAP 0.22uF 50V ±20% § 4×5MM ROHS	12
C815	0600-050335-02	E.CAP 3.3uF 50V ±20% § 4×5MM ROHS	1
R640	0700-005022-10	RES 2.2Ω ±5% 1/2W ROHS	1
R134	0700-005047-00	RES 4.7Ω ±5% 1/4W ROHS	1
R854	0700-005100-00	RES 10Ω ±5% 1/4W ROHS	1
R620,R600	0700-005100-16A	RES 10Ω ±5% 1/16W (TAPPING) ROHS	2
R837	0700-005103-16A	RES 10KΩ ±5% 1/16W (TAPPING) ROHS	1
R327,R328	0700-005220-16A	RES 22Ω ±5% 1/16W (TAPPING) ROHS	2
R827,R324,R326	0700-005222-16A	RES 2.2KΩ ±5% 1/16W (TAPPING) ROHS	3
R813	0700-005223-16A	RES 22KΩ ±5% 1/16W (TAPPING) ROHS	1
R850	0700-005471-16A	RES 470Ω ±5% 1/16W (TAPPING) ROHS	1
R670,J63,R1	0700-063000-00	RES SMD 0Ω ±5% 1/10W 0603 ROHS ROHS	3
R135,R700,R701	0700-063100-00	RES SMD 10Ω ±5% 1/10W 0603 ROHS	3
R603,R103,R118	0700-063101-00	RES SMD 100Ω ±5% 1/10W 0603 ROHS	3
R101,R643,R831,R605,R141, R871,R320~303	0700-063102-00	RES SMD 1KΩ ±5% 1/10W 0603 ROHS	10
R102,R623,R625,R631,R632, R801~804,R839,R851,R316,R 823,R845,R848,R305,R317,R 820,R725	0700-063103-00	RES SMD 10KΩ ±5% 1/10W 0603 ROHS	19
R819	0700-063104-00	RES SMD 100KΩ ±5% 1/10W 0603 ROHS	1
R612,R618,R616,R619,R617	0700-063105-00	RES SMD 1M ±5% 1/10W 0603 ROHS	5
R818	0700-063152-00	RES SMD 1.5KΩ ±5% 1/10W 0603 ROHS	1
R830	0700-063182-00	RES SMD 1.8KΩ ±5% 1/10W 0603 ROHS	1
R645,R646,R001	0700-063220-00	RES SMD 22Ω ±5% 1/10W 0603 ROHS	3
R636	0700-063221-00	RES SMD 220Ω ±5% 1/10W 0603 ROHS	1
R614,R626	0700-063224-00	RES SMD 220KΩ ±5% 1/10W 0603 ROHS	2

ELECTRICAL PARTS LIST-CONTINUED

Ref. No.	Part No.	Description	Q'ty
R814~817	0700-063274-00	RES SMD 270KΩ ±5% 1/10W 0603 ROHS	4
R615,R633,R634,R121,R142, R872,R681,R682,R329,R330, R325	0700-063222-00	RES SMD 2.2KΩ ±5% 1/10W 0603 ROHS	11
R702,R703,R705~808,R829,R 858,R841~844	0700-063223-00	RES SMD 22KΩ ±5% 1/10W 0603 ROHS	12
R108	0700-063331-00	RES SMD 330Ω ±5% 1/10W 0603 ROHS	1
R113,R114,R629,R630,R320, R321,R326,R323,R324	0700-063332-00	RES SMD 3.3KΩ ±5% 1/10W 0603 ROHS	9
R607,R308	0700-063334-00	RES SMD 330KΩ ±5% 1/10W 0603 ROHS	2
R318,R301,R302	0700-063392-00	RES SMD 3.9KΩ ±5% 1/10W 0603 ROHS	3
R627,R628	0700-063394-00	RES SMD 390KΩ ±5% 1/10W 0603 ROHS	2
R109,R663,R664	0700-063471-00	RES SMD 470Ω ±5% 1/10W 0603 ROHS	3
R122,R602,R604,R611,R840, R606,R129,R130,R138,R624, R852,R309,R120	0700-063472-00	RES SMD 4.7KΩ ±5% 1/10W 0603 ROHS	16
R125,R126,R608,R706,R707, R712,R713,R846,R822,R124, R137,R849,R847,R307,R641, R853,R310,R119,R315	0700-063473-00	RES SMD 47KΩ ±5% 1/10W 0603 ROHS	20
R613	0700-063474-00	RES SMD 470KΩ ±5% 1/10W 0603 ROHS	1
R622,R665,R666	0700-063512-00	RES SMD 5.1KΩ ±5% 1/10W 0603 ROHS	3
R809~812,R311,R331	0700-063561-00	RES SMD 560Ω ±5% 1/10W 0603 ROHS	6
R661,R662	0700-063682-00	RES SMD 6.8KΩ ±5% 1/10W 0603 ROHS	2
R716~719	0700-063821-00	RES SMD 820Ω ±5% 1/10W 0603 ROHS	4
R705,R708,R711,R714	0700-063822-00	RES SMD 8.2KΩ ±5% 1/10W 0603 ROHS	4
R621	0700-063823-00	RES SMD 82KΩ ±5% 1/10W 0603 ROHS	1
L803	0900-070100-01	MICRO INDUCTOR 10UH AXIAL TYPE ROHS	1
L801	1500-027012-11	TOROIDAL COIL XC-169-110uH V-TYPE § 27×12MM Xin- DeXing ROHS	1
OSC	3100-086120-08	SINGLE SHIELD WIRE 120MM GREY ROHS	1
PC BOARD ASSY, MAIN BOARD FM TUNER SECTION			
D633,D645	0200-004148-02	DIODE SMD RLS4148 LL-34 ROHM ROHS	2
C112,C113	0500-063153-01	CER.CAP SMD 0.015uF 50V ±10 X7R 0603 ROHS	2
C114,C115	0500-063682-01	CER.CAP SMD 6800PF 50V ±10% X7R 0603 ROHS	2
R111,R112	0700-063562-00	RES SMD 5.6KΩ ±5% 1/10W 0603 ROHS	2
	2900-000347-03	M.FAE347/P21/P22 EAST FUREPE 1 PACK 65-108MHJ ROHS	1
PC BOARD ASSY, MAIN BOARD AM TUNER SECTION			
C206	0500-063050-00	CER.CAP SMD 5PF 50V ±5% NPO 0603 ROHS	1
R210	0700-063471-00	RES SMD 470Ω ±5% 1/10W 0603 ROHS	1
Q203	0100-000812-00F	2SA812-G(ROHS)	1
Q201/2	0100-003875-07F	TR NPN KTC3875-GR SOT-23 ROHS	2
C208	0500-016225-54	TAN CAP SMD 2.2uF 16V ±10% 3.2×1.6×1.6MM ROHS	1
C201~3	0500-063223-01	CER.CAP SMD 0.022uF 50V ±10% X7R 0603 ROHS	3
R209	0700-063100-00	RES SMD 10Ω ±5% 1/10W 0603 ROHS	1
R208	0700-063102-00	RES SMD 1KΩ ±5% 1/10W 0603 ROHS	1
R201	0700-063103-00	RES SMD 10KΩ ±5% 1/10W 0603 ROHS	1
R202	0700-063331-00	RES SMD 330Ω ±5% 1/10W 0603 ROHS	1
R207	0700-063471-00	RES SMD 470Ω ±5% 1/10W 0603 ROHS	1

ELECTRICAL PARTS LIST-CONTINUED

Ref. No.	Part No.	Description	Q'ty
R205	0700-063472-00	RES SMD 4.7KΩ ±5% 1/10W 0603 ROHS	1
R203	0700-063473-00	RES SMD 47KΩ ±5% 1/10W 0603 ROHS	1
R206	0700-063822-00	RES SMD 8.2KΩ ±5% 1/10W 0603 ROHS	1
C204	0600-016106-02	E.CAP 10uF 16V ±20% § 3.5×5MM ROHS	1
L201	0900-070470-04	M. INDUCTOR AL03TO4R7 (AXIAL) ROHS	1
PC BOARD ASSY, KEY BOARD			
	0200-001007-09	LED BACK LIGHT WHITE QB02001-09B 89.3×19.7×3.3MM TIDAL ROHS	1
R624	0700-063153-00	RES SMD 15KΩ ±5% 1/10W 0603 ROHS	1
R623	0700-063203-00	RES SMD 20KΩ ±5% 1/10W 0603 ROHS	1
R607	0700-063473-00	RES SMD 47KΩ ±5% 1/10W 0603 ROHS	1
R617	0700-063512-00	RES SMD 5.1KΩ ±5% 1/10W 0603 ROHS	1
R608	0700-063823-00	RES SMD 82KΩ ±5% 1/10W 0603 ROHS	1
VOL+/-	1800-000163-00	VOL ENCODER SRGP200200 § 23.6×9MM ALPS ROHS	1
	2700-300200-110Y	CD3001 LCD TN NEG COLOR BLACK MASK 22X84 PIN ROHS	1
	8100-010307-06	LAMP COVER 3MM CYAN ROHS	11
DLP1~11	0200-030553-60T	LAMP 3V 60MA § 3X5.5MM KEE TAT ROHS	11
IC601	0300-075823-00H	IC LC75823ED ROHS	1
C604	0500-063223-01	CER.CAP SMD 0.022uF 50V ±10% X7R 0603 ROHS	1
C603	0500-063681-00	CER.CAP SMD 680PF 50V ±5% NPO 0603 ROHS	1
R633,R634	0700-005101-00	RES 100Ω ±5% 1/14W ROHS	2
R622,R616	0700-063102-00	RES SMD 1KΩ ±5% 1/10W 0603 ROHS	2
R630	0700-063122-00	RES SMD 1.2KΩ ±5% 1/10W 0603 ROHS	1
R611	0700-063152-00	RES SMD 1.5KΩ ±5% 1/10W 0603 ROHS	1
R601,R613	0700-063181-00	RES SMD 180Ω ±5% 1/10W 0603 ROHS	2
R602,R614	0700-063221-00	RES SMD 220Ω ±5% 1/10W 0603 ROHS	2
R612	0700-063222-00	RES SMD 2.2KΩ ±5% 1/10W 0603 ROHS	1
R610	0700-063272-00	RES SMD 2.7KΩ ±5% 1/10W 0603 ROHS	1
R603	0700-063331-00	RES SMD 330Ω ±5% 1/10W 0603 ROHS	1
R609,R615	0700-063393-00	RES SMD 39KΩ ±5% 1/10W 0603 ROHS	2
R618	0700-063470-00	RES SMD 47Ω ±5% 1/10W 0603 ROHS	1
R604,R620	0700-063471-00	RES SMD 470Ω ±5% 1/10W 0603 ROHS	2
R626	0700-063472-00	RES SMD 4.7KΩ ±5% 1/10W 0603 ROHS	1
R627	0700-063513-00	RES SMD 51KΩ ±5% 1/10W 0603 ROHS	1
R605,R619,R621,R631,R632	0700-063681-00	RES SMD 680Ω ±5% 1/10W 0603 ROHS	5
R606	0700-063822-00	RES SMD 8.2KΩ ±5% 1/10W 0603 ROHS	1
	1121-300630-3108	CD-3006 D/S KB 1.2X185X44MM (FOR KRS USB)	1
SW RES	1600-001107-02S	TACT SW KPT-1107CD 4.3 2P IN RED	19
	2500-0M2005-17	CONNETOR SMD MALE 17PIN P=2.0MM H-TYPE DR-NM7-2.0 EASTSUN ROHS	1
PC BOARD ASSY, SDK/CD SERVO BOARD			
R303,R304	0700-063332-00	RES SMD 3.3KΩ ±5% 1/10W 0603 ROHS	2
DECK TO MB	2500-009286-18	FFC WIRE(UNILATERAL PLUG)130MM 18PIN P=1.25MM ROHS	1
DECK TO MB	2500-011101-18	SOCKET 18PIN P=1.25 TOP-CONTACT H-TYPE (NEGATIVE- NEEDLE) JingShi ROHS	1
Q5,6,8	0100-000103-00	TR. KEC103S ROHS	3
Q1	0100-000812-00F	2SA812-G(ROHS)	1

ELECTRICAL PARTS LIST-CONTINUED

Ref. No.	Part No.	Description	Q'ty
Q7	0100-003875-07F	TR NPN KTC3875-GR SOT-23 ROHS	1
ZD9	0200-050036-54	ZENER DIODE SMD 3.6V 0.5W ±5% LL-34 ROHS	1
ZD1	0200-050151-00	ZENER DIODE SMD 5.1V 0.5W LL-34 ROHS	1
U8	0300-001117-00	VOLTAQE REGULATOR LD1117S ROHS	1
U3	0300-008310-01	SAMSUNG MP3 AND WMA DECODER S5L8310 ROHS	1
U2	0300-009226-00K	IC S1L9226 ROHS	1
U4	0300-009259-00S	IC SC9259 (SILAN) ROHS	1
U1	0300-016100-01	SDRAM IS42S16100C1-7TI TSOP-50 ISSI ROHS	1
Y1	0400-000169-01	CRYSTAL 16.9344MHZ±30PPM HC-49U/SM 20PF SM-1225 ROHS	1
C40	0500-063030-00	CER.CAP SMD 3PF 50V ±5% NPO 0603 ROHS	1
C76,38	0500-063100-00	CER.CAP SMD 10PF 50V ±5% NPO 0603 ROHS	2
C42,43,45,C47	0500-063102-01	CER.CAP SMD 1000PF 50V ±10% X7R 0603 ROHS	4
C19,22,25,28,31,56	0500-063103-01	CER.CAP SMD 0.01uF 50V ±10% X7R 0603 ROHS	6
C5,7~12,15,21,23,24,29,30/2/4 /6/7/9,41,48~50,52/5,57~59,66 ,70,71,78~83,38,16,EC3A C67,68	0500-063104-01	CER.CAP SMD 0.1uF 50V ±10% X7R 0603 ROHS	39
C17,26,33	0500-063152-00N	CER.CAP SMD 1500PF 50V ±5% NPO 0603 ROHS	2
C72	0500-063222-01	CER.CAP SMD 2200PF 50V ±10% X7R 0603 ROHS	3
EC17A	0500-063223-01	CER.CAP SMD 0.022uF 50V ±10% X7R 0603 ROHS	1
C2,13	0500-063225-00	CER.CAP SMD 2.2uF 16V ±10% Y5V 0805N+ ROHS	1
C1	0500-063270-00	CER.CAP SMD 27PF 50V ±5% NPO 0603 ROHS	2
C53,35	0500-063331-00	CER.CAP SMD 330PF 50V ±5% NPO 0603 ROHS	1
C6	0500-063333-01	CER.CAP SMD 0.033uF 50V ±10% X7R 0603 ROHS	2
C14,44	0500-063391-00	CER.CAP SMD 390PF 50V ±5% NPO 0603 ROHS	1
C65	0500-063472-01	CER.CAP SMD 4700PF 50V ±10% X7R 0603 ROHS	2
C51	0500-063473-01	CER.CAP SMD 0.047uF 50V ±10% X7R 0603 ROHS	1
C20	0500-063474-01	CER.CAP SMD 0.47uF 25V +80/-20% Y5V 0603 ROHS	1
EC1~5,7~9,16,11,17,EC6	0500-063683-01	CER.CAP SMD 0.068uF 50V ±10% X7R 0603 ROHS	1
EC13,15	0600-016106-54	E.CAP SMD 10uF ±10% 16V § 4×5.5MM ROHS	12
L6,R115	0600-016107-54	E.CAP SMD 100uF 16V ±10% § 6.3×5.5MM ROHS	2
R19,41,45,48,53,64,65,74,77,5 0,2	0700-005000-54	RES SMD 0Ω ±5% 1/10W 0805 ROHS	2
	0700-063000-00	RES SMD 0Ω ±5% 1/10W 0603 ROHS ROHS	11

ELECTRICAL PARTS LIST-CONTINUED

Ref. No.	Part No.	Description	Q'ty
L1,5,7	0700-005015-54	RES SMD 1.5Ω +/-5% 1/10W 0805 ROHS	3
R1	0700-063100-00	RES SMD 10Ω ±5% 1/10W 0603 ROHS	1
R60,61,82,86,87	0700-063102-00	RES SMD 1KΩ ±5% 1/10W 0603 ROHS	5
R20,23,43,44,98,101,113	0700-063103-00	RES SMD 10KΩ ±5% 1/10W 0603 ROHS	7
R102,104	0700-063104-00	RES SMD 100KΩ ±5% 1/10W 0603 ROHS	2
R5,27,34	0700-063105-00	RES SMD 1M ±5% 1/10W 0603 ROHS	3
R119,132,140	0700-063121-00	RES SMD 120Ω ±5% 1/10W 0603 ROHS	3
R4,14,17,18	0700-063124-00	RES SMD 120KΩ ±5% 1/10W 0603 ROHS	4
R114	0700-063152-00	RES SMD 1.5KΩ ±5% 1/10W 0603 ROHS	1
R13,26,92,123	0700-063153-00	RES SMD 15KΩ ±5% 1/10W 0603 ROHS	4
R8	0700-063154-00	RES SMD 150KΩ ±5% 1/10W 0603 ROHS	1
R29	0700-063203-00	RES SMD 20KΩ ±5% 1/10W 0603 ROHS	1
R112/48	0700-063221-00	RES SMD 220Ω ±5% 1/10W 0603 ROHS	2
R32,12	0700-063223-00	RES SMD 22KΩ ±5% 1/10W 0603 ROHS	2
R39,10,21	0700-063224-00	RES SMD 220KΩ ±5% 1/10W 0603 ROHS	3
R62	0700-063273-00	RES SMD 27KΩ ±5% 1/10W 0603 ROHS	1
R103	0700-063333-00	RES SMD 33KΩ ±5% 1/10W 0603 ROHS	1
R59	0700-063392-00	RES SMD 3.9KΩ ±5% 1/10W 0603 ROHS	1
R76,78	0700-063393-00	RES SMD 39KΩ ±5% 1/10W 0603 ROHS	2
R15,16	0700-063470-00	RES SMD 47Ω ±5% 1/10W 0603 ROHS	2
R67,68	0700-063471-00	RES SMD 470Ω ±5% 1/10W 0603 ROHS	2
R42,117,118,126,147	0700-063472-00	RES SMD 4.7KΩ ±5% 1/10W 0603 ROHS	5
R9,116	0700-063473-00	RES SMD 47KΩ ±5% 1/10W 0603 ROHS	2
R7,22,24,120,121	0700-063563-00	RES SMD 56KΩ ±5% 1/10W 0603 ROHS	5
R6	0700-063683-00	RES SMD 68KΩ ±5% 1/10W 0603 ROHS	1
R33,107,108,110	0700-063822-00	RES SMD 8.2KΩ ±5% 1/10W 0603 ROHS	4
R47,106	0700-063823-00	RES SMD 82KΩ ±5% 1/10W 0603 ROHS	2
R28,31	0700-063912-00	RES SMD 9.1KΩ ±5% 1/10W 0603 ROHS	2
	1121-205031-2008	PCB SAMSUNG USB SERVO(205) 96X89.1X1.2	1
Q3	0100-001858-17	TR 2SD1858-Q ATV ROHM ROHS	1
SD1,2	0200-000144-00	IR LED MIE 144A1MC ROHS	2
R111	0700-005047-00	RES 4.7Ω ±5% 1/4W ROHS	1
SW1	1600-000111-00	SWITCH PUSH LEVER SW-111 8×5.3×3.8MM SHINMEI ROHS	1
J8	2500-000090-03	RAINBOW WIRE 90MM 3PIN AWG30# ROHS	1
J2	2500-001300-16	SOCKET SMD 16PIN P=1.0MM BOTTOM-CONTACT H-TYPE HongDongXing ROHS	1
J7	2500-053015-20E	SOCKET 4PIN CD DECK BoMu ROHS	1
PC BOARD ASSY, MAIN BOARD LINE OUT SECTION			
C707,C708	0600-050105-03	E.CAP 1uF 50V ±20% 4×5MM ROHS	2
R721,R722	0700-063102-00	RES SMD 1KΩ ±5% 1/10W 0603 ROHS	2
	2000-020360-08	RCA CABLE WIRE 360MM GREY ROHS	1

SPECIFICATIONS

T. H. D.....	Less than 0.35%
Signal to Noise Ratio.....	More than 60 dB
Channel Separation.....	More than 60 dB
Frequency Response.....	20Hz-20kHz
Stereo Separating (FM).....	30 dB (at 1kHz)
Signal to Noise Ratio (FM).....	Better than 50 dB
Output Power.....	4 X 40W
Speaker Output Impedance.....	4 To 8 ohm
Power Source.....	DC 12V, Negative ground.
Frequency Range.....	FM 65.0 – 74.0MHz (FM 87.5 – 108.0MHz)
.....	MW 530-1710 kHz
Sensitivity.....	FM 3 μ V (S/N=30dB)
.....	MW 32 dB μ (S/N=20 dB)

Specifications are subject to change without notice.