



AKAI

CD/MP3/USB/RDS-RECIVER

Models:
ACR-48MP

SERVICE MANUAL

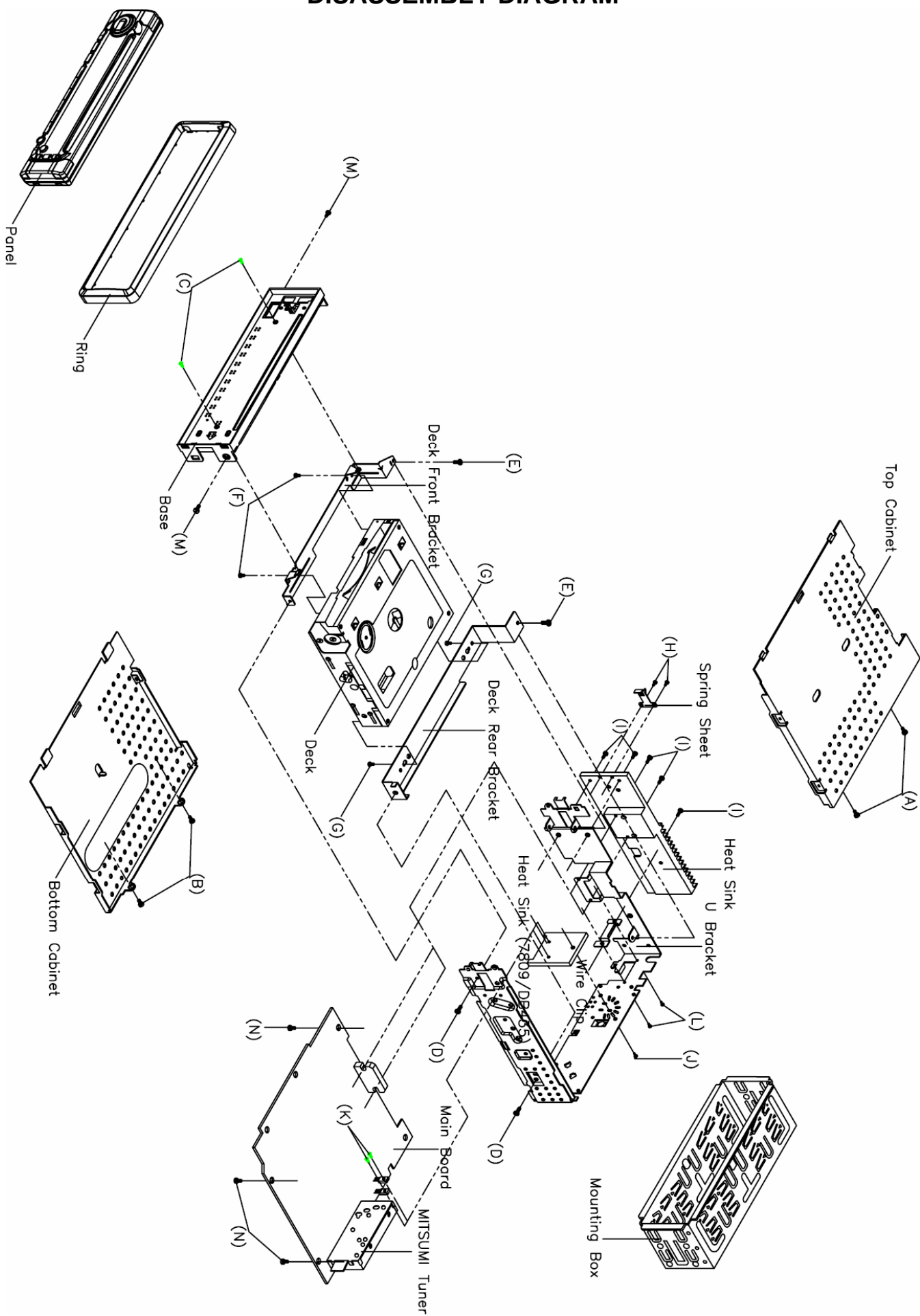
CONTENTS

| | Page |
|---|-------------|
| Disassembly Instructions | 3 |
| Disassembly Diagram | 4 |
| Operation Check | 5 |
| Block Diagram | 6 |
| Alignment Locations | 7 |
| Alignment Procedures | 8 |
| Printed Circuit Boards | 9 |
| Exploded Views (Panel) | 15 |
| Exploded View Parts Lists (Panel) | 16 |
| Exploded Views (Cabinet) | 17 |
| Exploded View Parts Lists (Cabinet) | 18 |
| Exploded Views (Deck) | 19 |
| Exploded View Parts Lists (Deck) | 20 |
| Schematic Diagram | 22 |
| Electrical Parts List | 25 |
| Specifications | 32 |

DISASSEMBLY INSTRUCTIONS

1. Using the unlock key that came with the unit or a similar tool, unlock the Mounting Box and remove toward the rear of the unit.
2. Remove two screws (A) located on the rear of the top cabinet then remove the Top Cabinet.
3. Remove two screws (B) located on the rear of the bottom cabinet then remove the Bottom Cabinet.
4. Take out the Front Panel and the Ring.
Remove two screws (C) from on the front side of the Base.
5. Remove two screws (D) from on the right side of the U bracket.
Remove two screws (E) from on the left side of the U bracket.
6. Remove two screws (F) from under the deck front bracket then remove the Deck Front Bracket.
Remove two screws (G) from under the deck rear bracket then remove the Deck Rear Bracket.
7. Remove two screws (H) from on the left side of the heat sink then remove the Spring Sheet.
8. Remove five screws (I) from on the left side of the heat sink then remove the Heat Sink.
9. Remove the screw (J) from on the back of the U bracket and remove two screws (K) from on the main board then remove the Heat Sink (7809/DB435).
10. Remove two screws (L) from on the back of the U bracket then remove Wire Clip.
11. Remove two screws (M) from each side of the base then remove the Base.
12. Remove three screws (N) from under the main board then remove the U Bracket and the Main Board.

DISASSEMBLY DIAGRAM



OPERATION CHECK

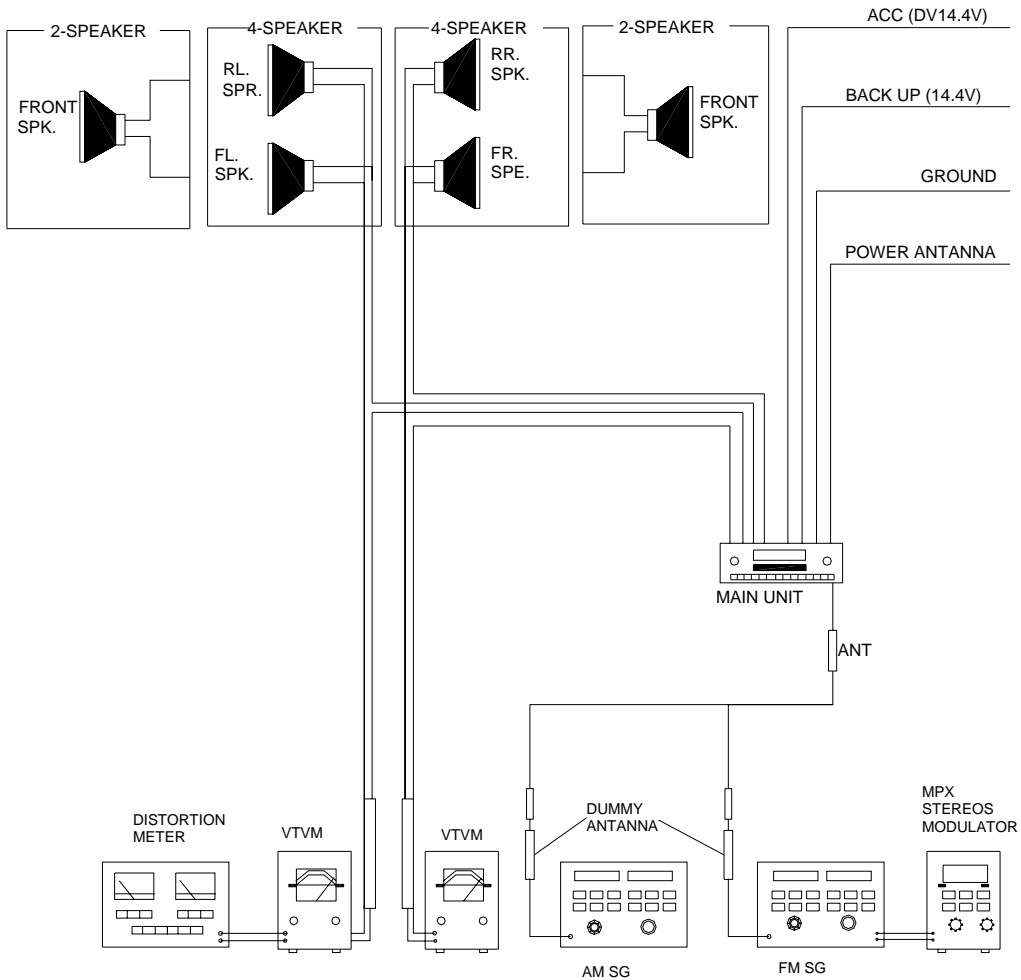
GENERAL SPECIFICATIONS OF SIGNAL

| | | | |
|--------------------|-----------|--------------------------|-------------------|
| Standard frequency | FM | 98.1 MHz (65.0, 74.0MHz) | (87.5, 107.9 MHz) |
| | MW | 1000 kHz (530, 1710 kHz) | |
| Signal output | FM | 1mV | |
| | MW | 5 mV | |
| Modulation | MW | 400 Hz | 30% MOD. |
| | FM Stereo | 1 kHz | 75kHz DEV. |
| | | | |

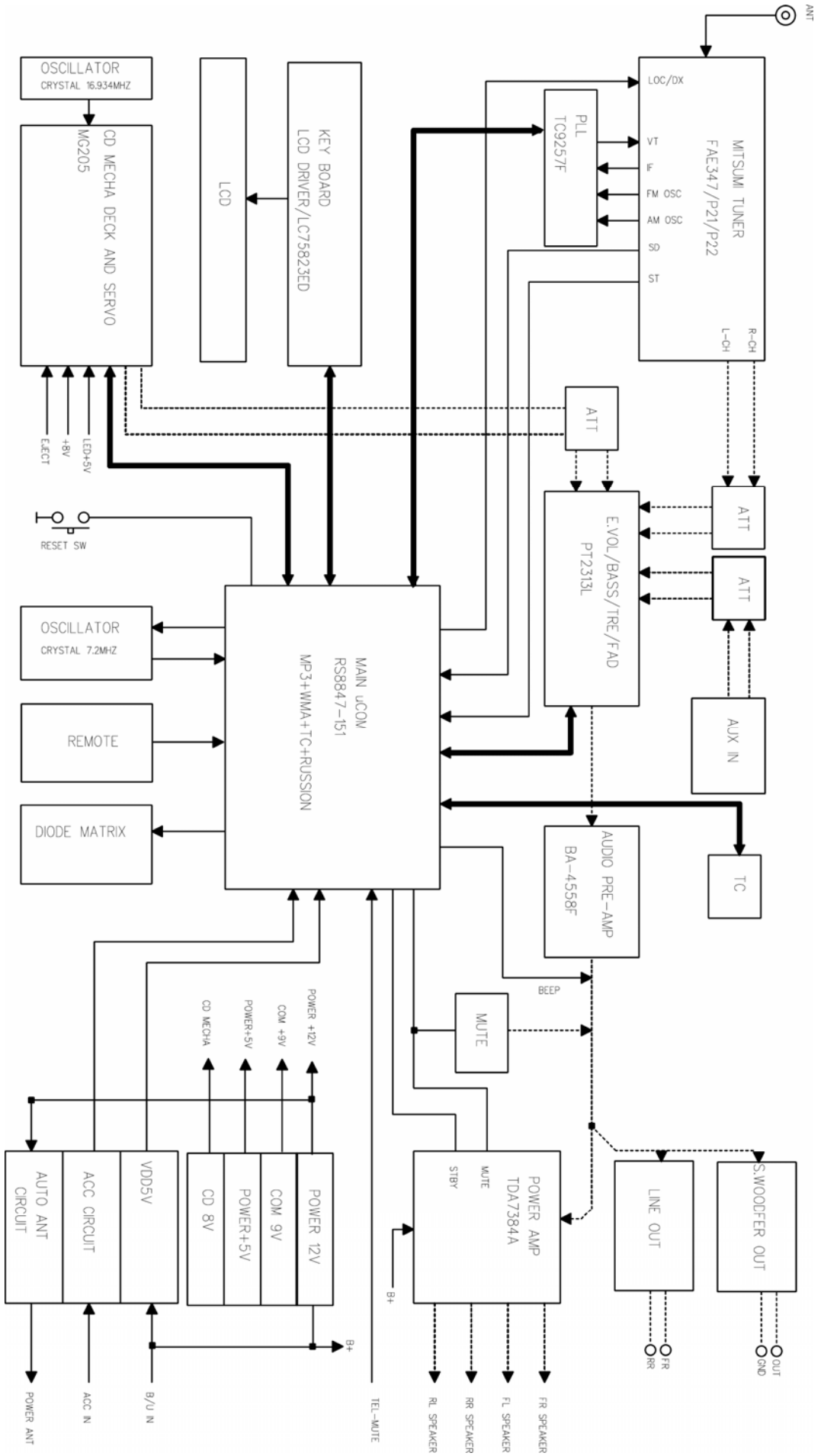
| | |
|----------------------|---|
| AF output level | FM/MW |
| Power source voltage | DC 14.0V (Backup voltage is the same as this) |
| AF load impedance | 4 ohm pure resistance |
| Balance | Center position of level |
| Tone | Center position |

The signal strength read in this section is voltage on the antenna.

Test Diagram

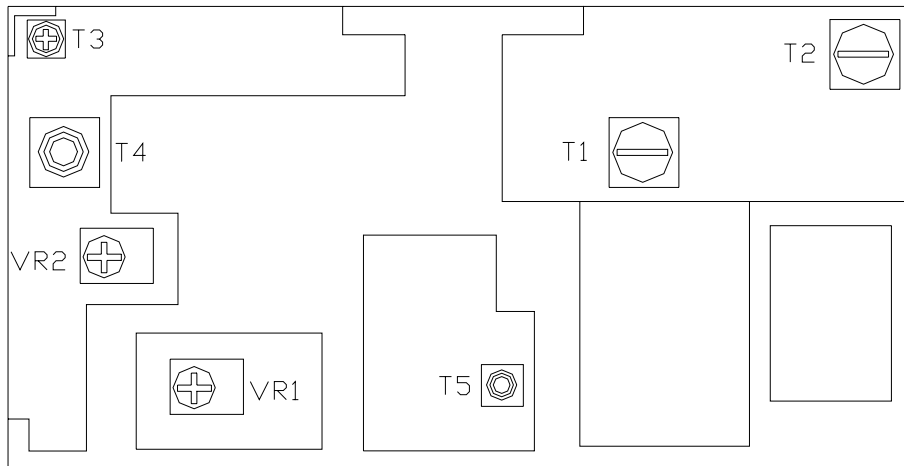


BLOCK DIAGRAM



ALIGNMENT LOCATIONS

MITSUMI TUNER



ALIGNMENT PROCEDURES

FM ADJUSTMENT

Equipment Required

- AM IF/RF signal generator
- Solid-state voltmeter (SSVM)
- Regulated DC power supply
- 2-CH voltmeter
- Distortion meter

FM Alignment Using FM Signal Generator

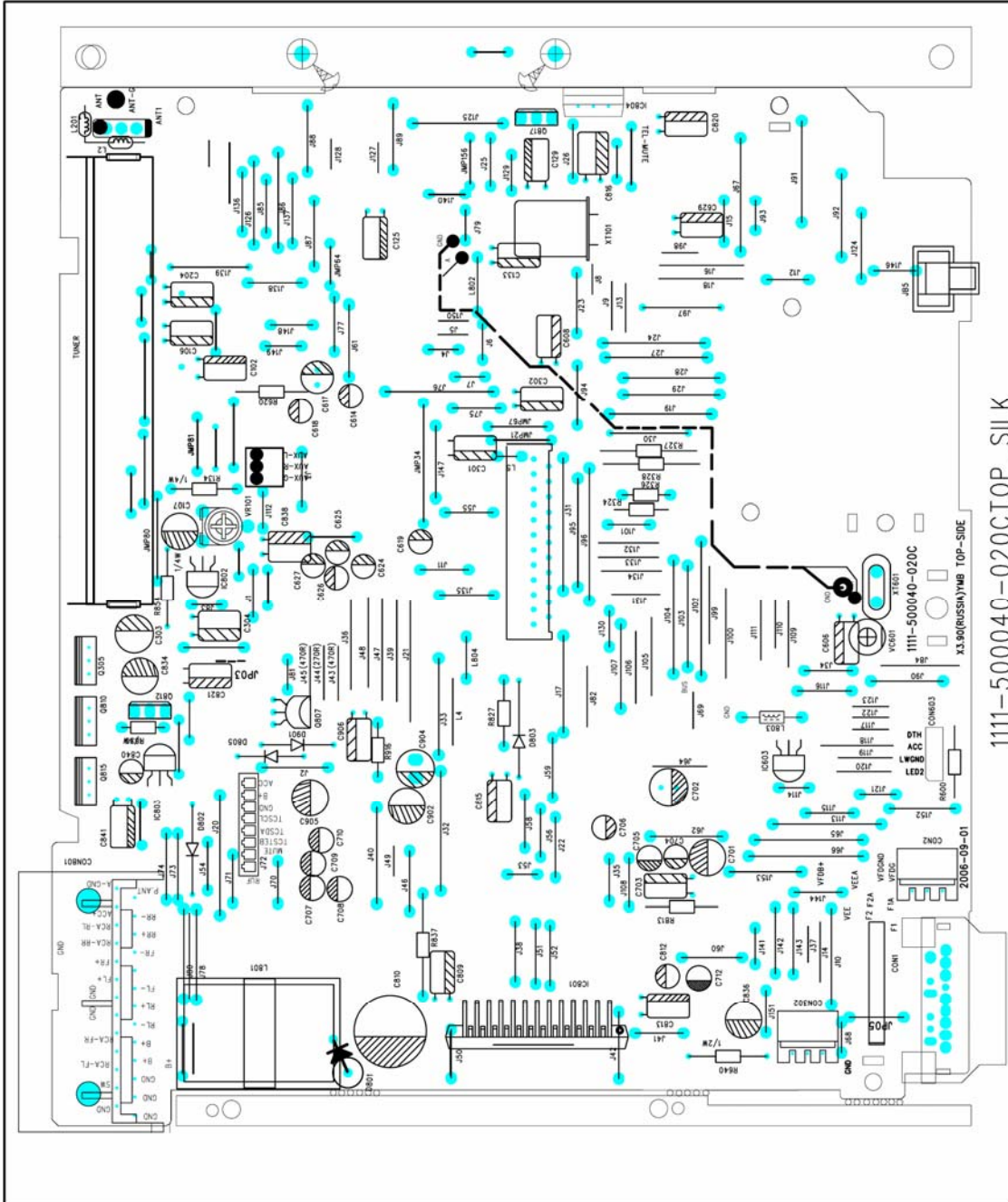
Note: Press the radio power switch to on the radio. Signal generator output must be kept as low as possible to avoid overload and clipping.

| Step | Generator Coupling | Generator | Display Setting | Adjustment | Remarks |
|--------------------------|--|---|-----------------|------------|--|
| Stereo Separation | Signal Generator to antenna receptacle | 98.1 MHz Int. 1 kHz Dev. 75 kHz L+R = 90 % pilot = 10 % | 98.1 MHz | VR1 | Adjust AF output power at maximum separating more than 30 dB |
| FM SNC Adjustment | 98.1 MHz Dev. 75 kHz L+R=90 % Int. 1 kHz 60dB μ V output | 98.1 MHz @ 40 dB μ | 98.1 MHz | VR2 | Stereo Separation 25 dB (\pm 5 dB) |
| Stop SENS. | Signal Generator to antenna receptacle | 98.1 MHz Mod. 1kHz Dev 75kHz | 98.1 MHz | VR3 | Adjust AF to stop station. |

Note: The tuner module is well-adjust and adjustment is not recommended.

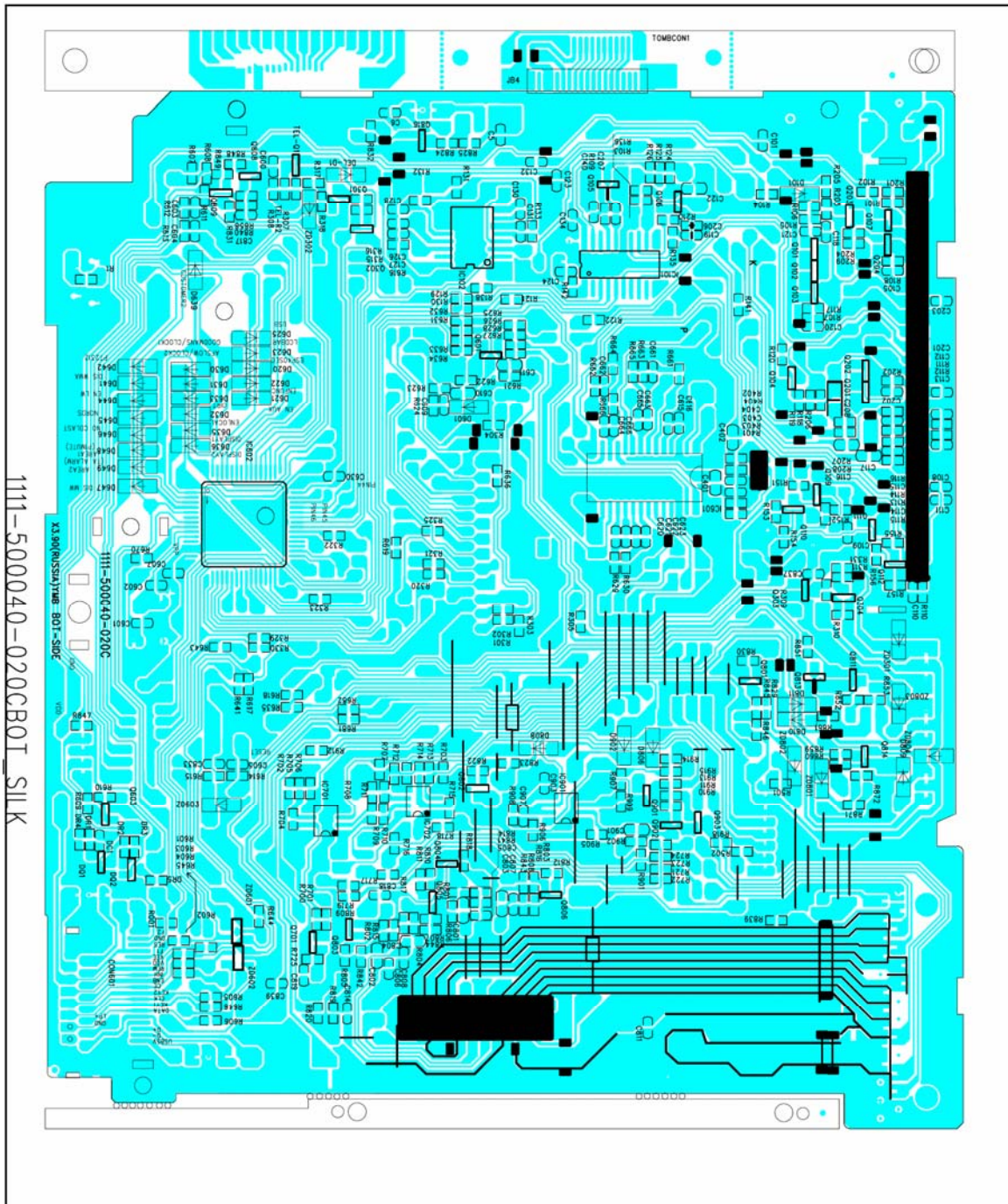
PRINTED CIRCUIT BOARDS

MAIN BOARD



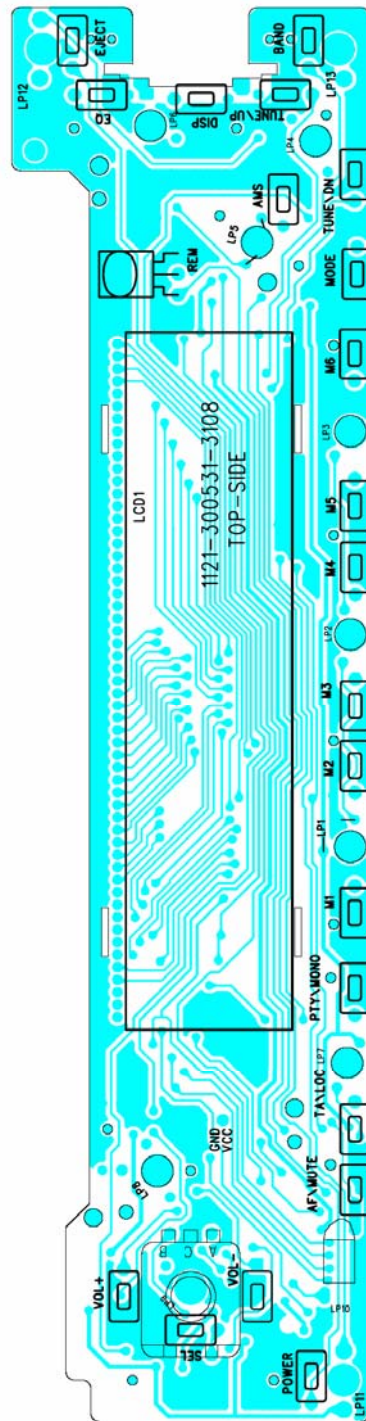
TOP VIEW

MAIN BOARD



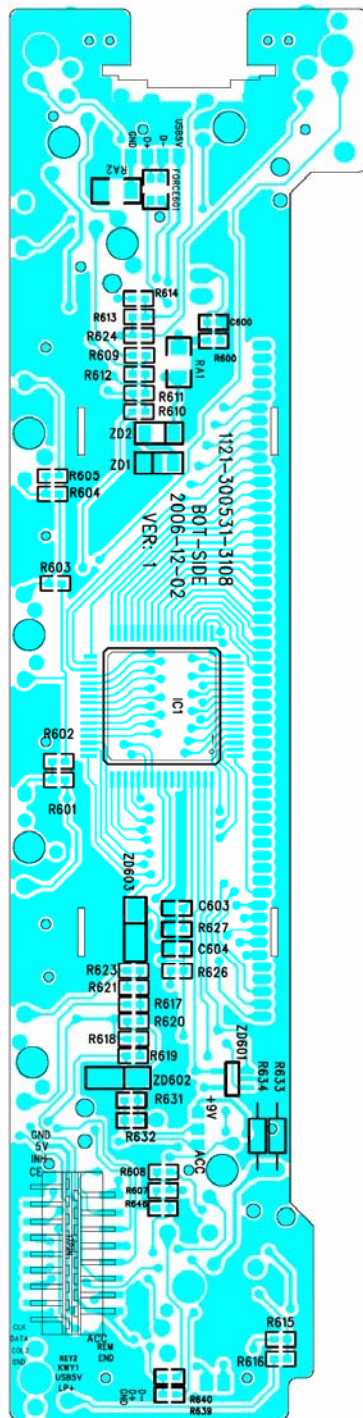
BOTTOM VIEW

KEY BOARD



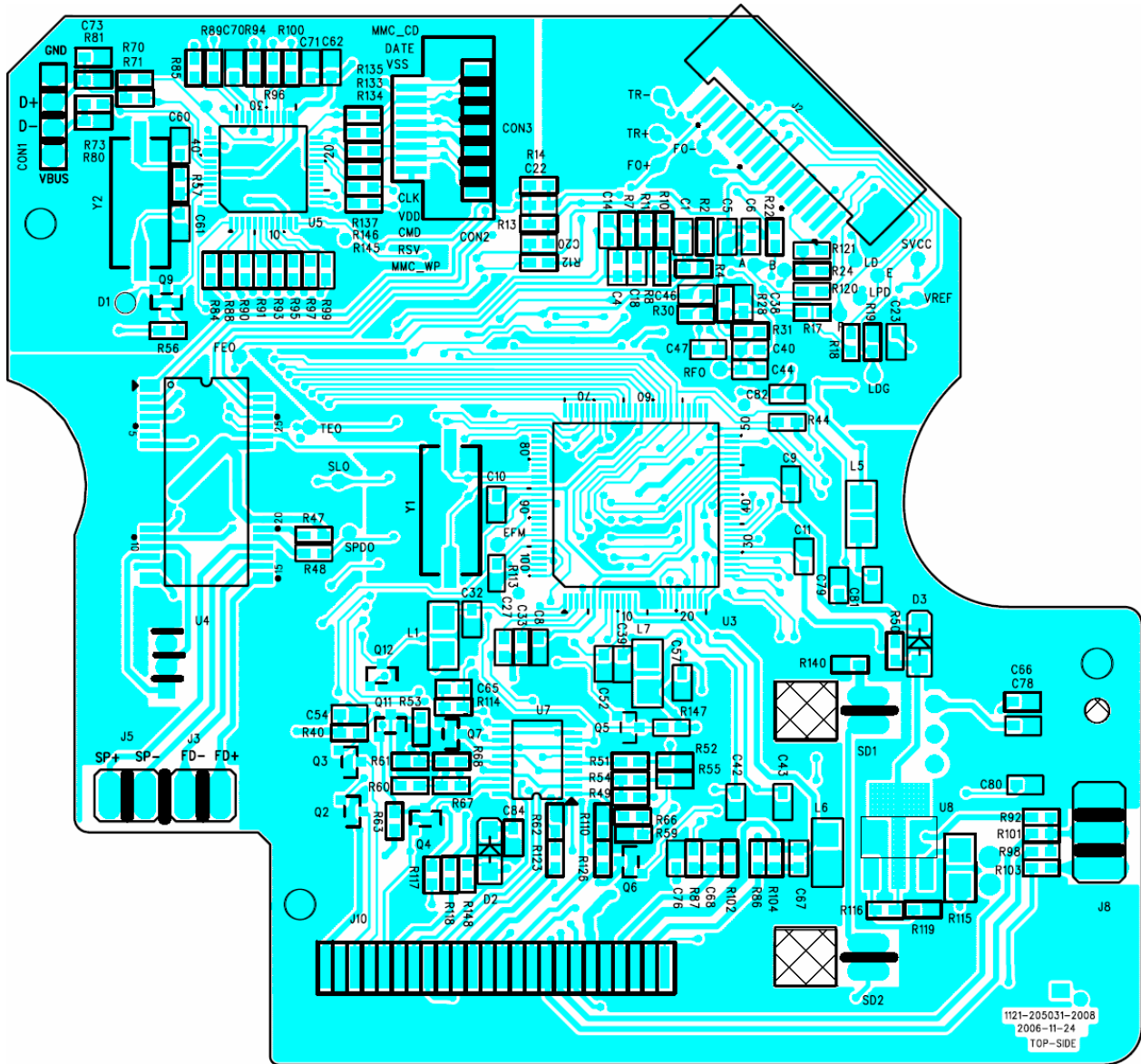
TOP VIEW

KEY BOARD



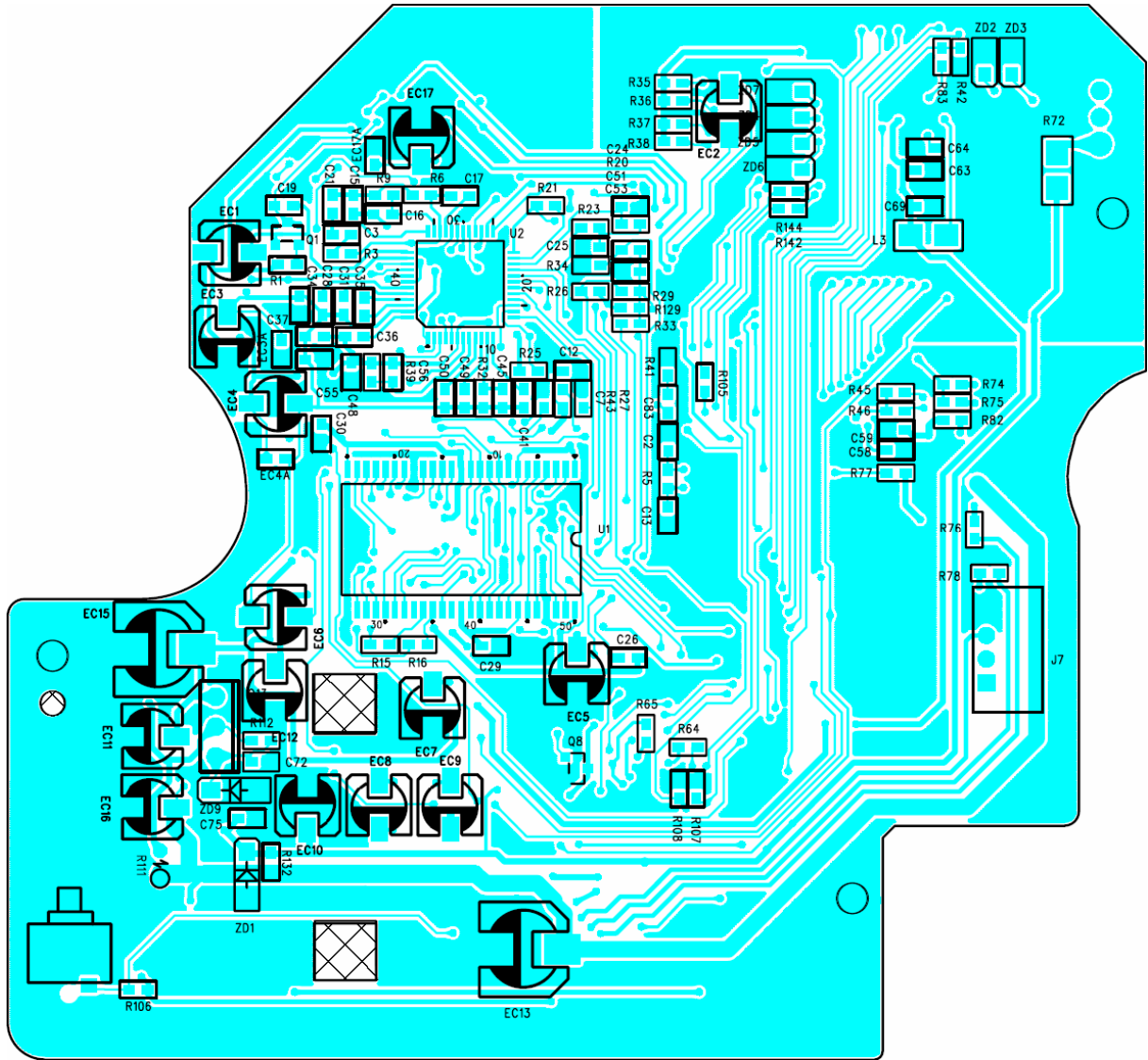
BOTTOM VIEW

CD SERVO BOARD



TOP VIEW

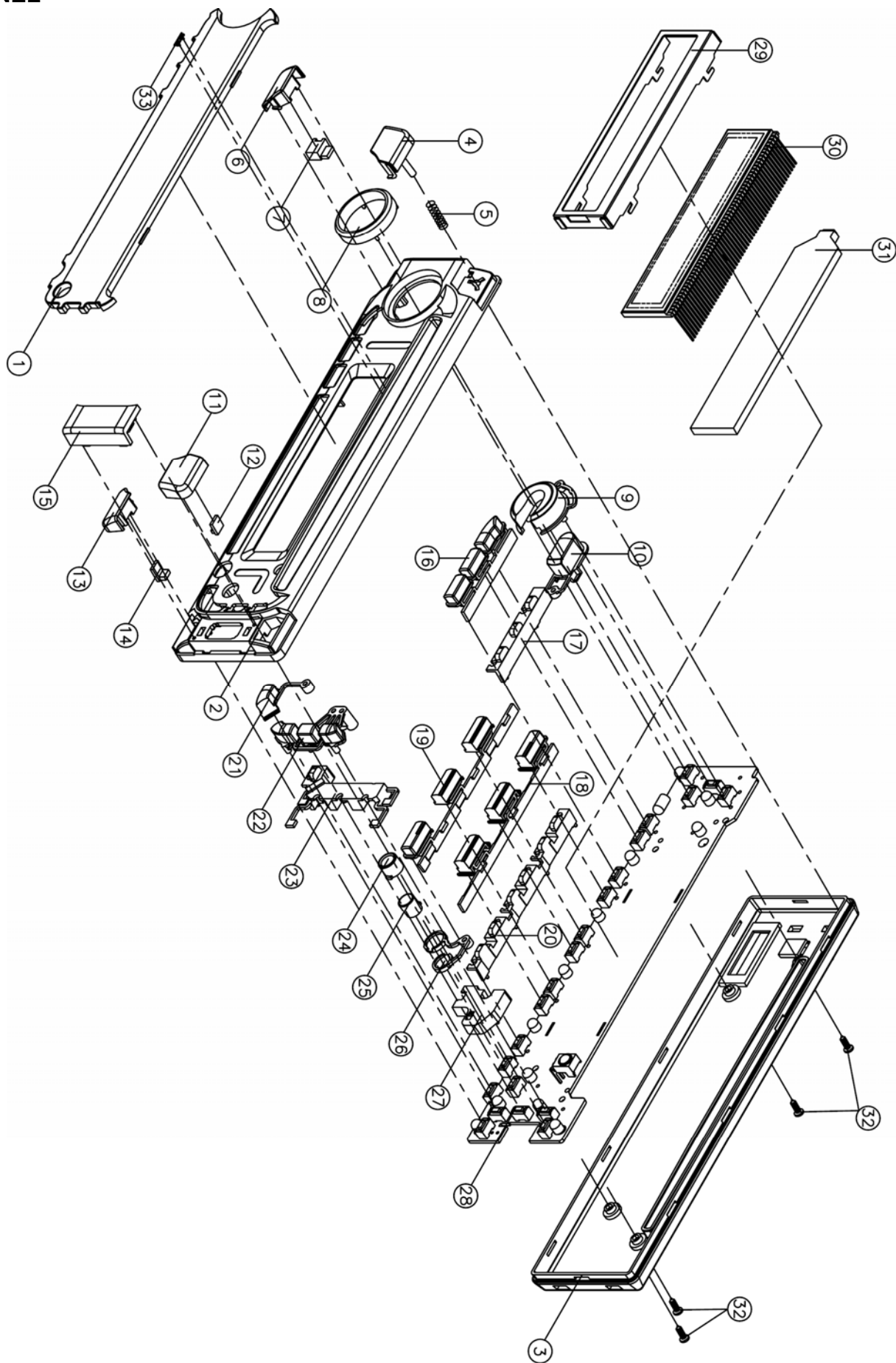
CD SERVO BOARD



BOTTOM VIEW

EXPLODED VIEW

PANEL



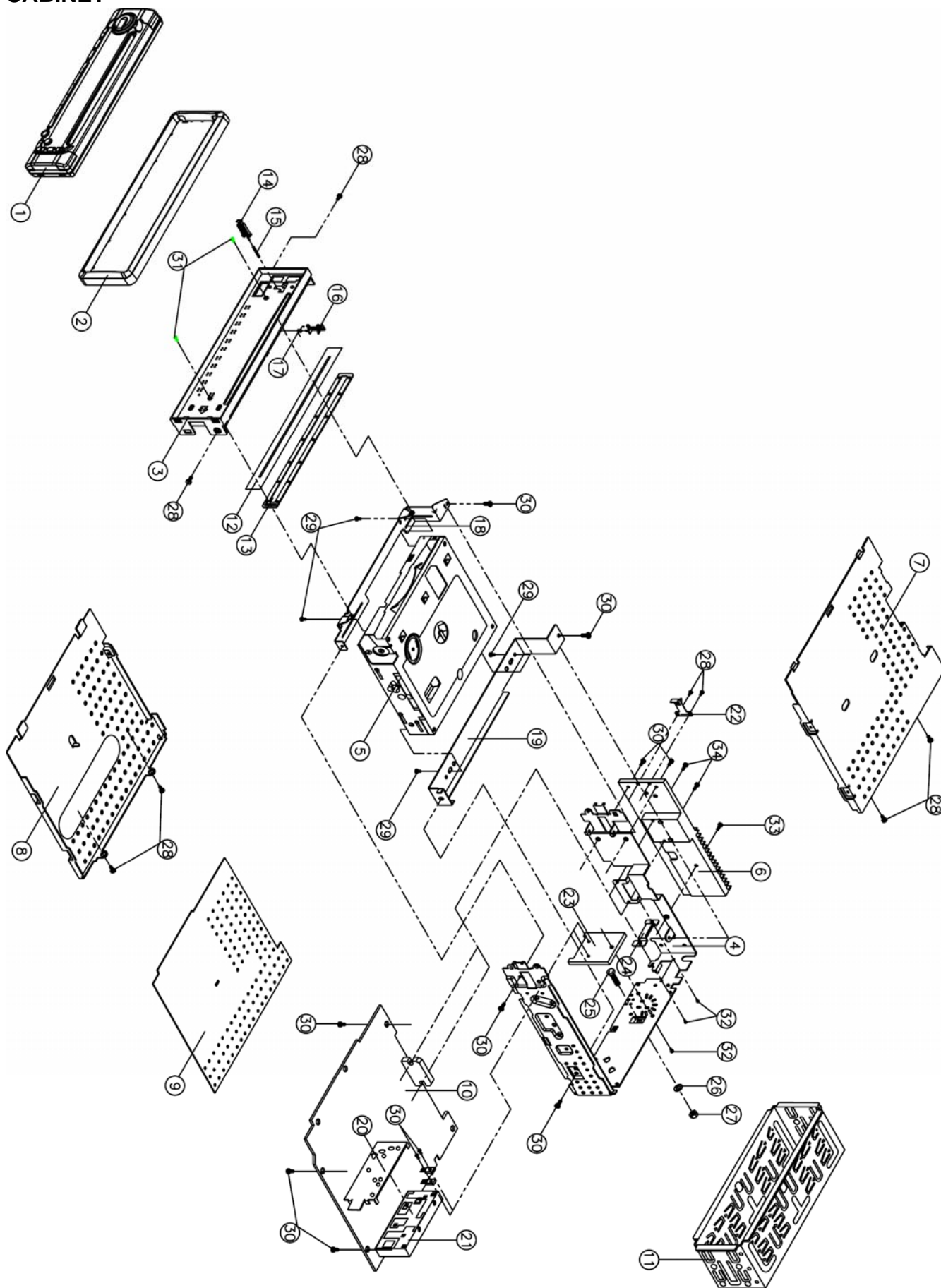
EXPLODED VIEW PARTS LIST

PANEL

| Ref. No. | Description | RS Part No. | Mfr's Part No. |
|----------|--|-------------|------------------|
| 1 | Lens; (S.N0000/WHT)X82.25 W/WMA/RDS N/IR ROHS | | 5300-0C2520-357 |
| 2 | T. Panel (S.0000/WHT) W/O D ROHS | | 5100-0C2520-31W |
| 3 | Panel Bottom ROHS | | 5100-0C2522-00 |
| 4 | Release Key (S. N0000) ROHS | | 5200-0C2535-31W |
| 5 | Release Spring ROHS | | 3600-0C2501-00 |
| 6 | Power Key (L-Up) (S.N0000) ROHS | | 5200-0C2522-01 |
| 7 | PWR Knob Adaptor ROHS | | 5200-0C2548-00 |
| 8 | Decorate Ring (S.N1202) ROHS | | 5200-0C2531-80 |
| 9 | +/- Key (L-Up) (S.N1202)ROHS | | 5200-0C2523-81 |
| 10 | SEL Key (L-Up) (S.N1202)ROHS | | 5200-0C2524-81 |
| 11 | Eject R Key (L-Up) (S.N0000) ROHS | | 5200-0C2520-01 |
| 12 | EJ Knob Adaptor ROHS | | 5200-0C2546-00 |
| 13 | BND Key (L-Up) (S.N0000) ROHS | | 5200-0C2521-01 |
| 14 | BND Knob Adaptor ROHS | | 5200-0C2547-00 |
| 15 | Eject/LOU/ENT (S.N0000/WHT) ROHS | | 5200-0C2533-33W |
| 16 | MUT/LOC/MON Key (L-Up) (S. N0000) ROHS | | 5200-0C2525-02 |
| 17 | MUT Knob Back Light ROHS | | 5200-0C2539-00 |
| 18 | 1PAU/3RPT/5 Key (L-Up) (S. N0000) ROHS | | 5200-0C2526-02 |
| 19 | 2SCN/4SHF/6 Key (L-Up) (S. N0000) ROHS | | 5200-0C2527-02 |
| 20 | PAU Knob Back Light ROHS | | 5200-0C2540-00 |
| 21 | 8TUNE SKIP Key (L-Up) (S. N0000) ROHS | | 5200-0C2528-01 |
| 22 | 9TUNE SKIP/DISP/EQ Key (L-Up) (S. N0000) ROHS | | 5200-0C2529-01 |
| 23 | EQ Knob Back Light ROHS | | 5200-0C2542-00 |
| 24 | MOD Key (Crystal/Blue PMS285C) ROHS | | 5200-0C2536-71B |
| 25 | AMS Key (Crystal/Blue PMS285C) ROHS | | 5200-0C2537-71B |
| 26 | MOD Knob Adaptor ROHS | | 5200-0C2530-00 |
| 27 | MOD Knob Back Light ROHS | | 5200-0C2541-00 |
| 28 | Key Board | | 1121-300531-3108 |
| 29 | LCD Bracket Real (E) ROHS | | 3900-0E2004-00 |
| 30 | CD3001 LCD TN NEG COLOR Black mask 22X84 PIN ROHS | | 2700-300200-110Y |
| 31 | CD1007 B. Light /White ROHS | | 0200-001007-09 |
| 32 | Screw Ø2X8 BA/ST Black ROHS | | 4000-012008-21 |
| 33 | AKAI Logo (S.N0000) Silver Hot Stamp ROHS | | 5200-0G6240-31 |

EXPLODED VIEW

CABINET

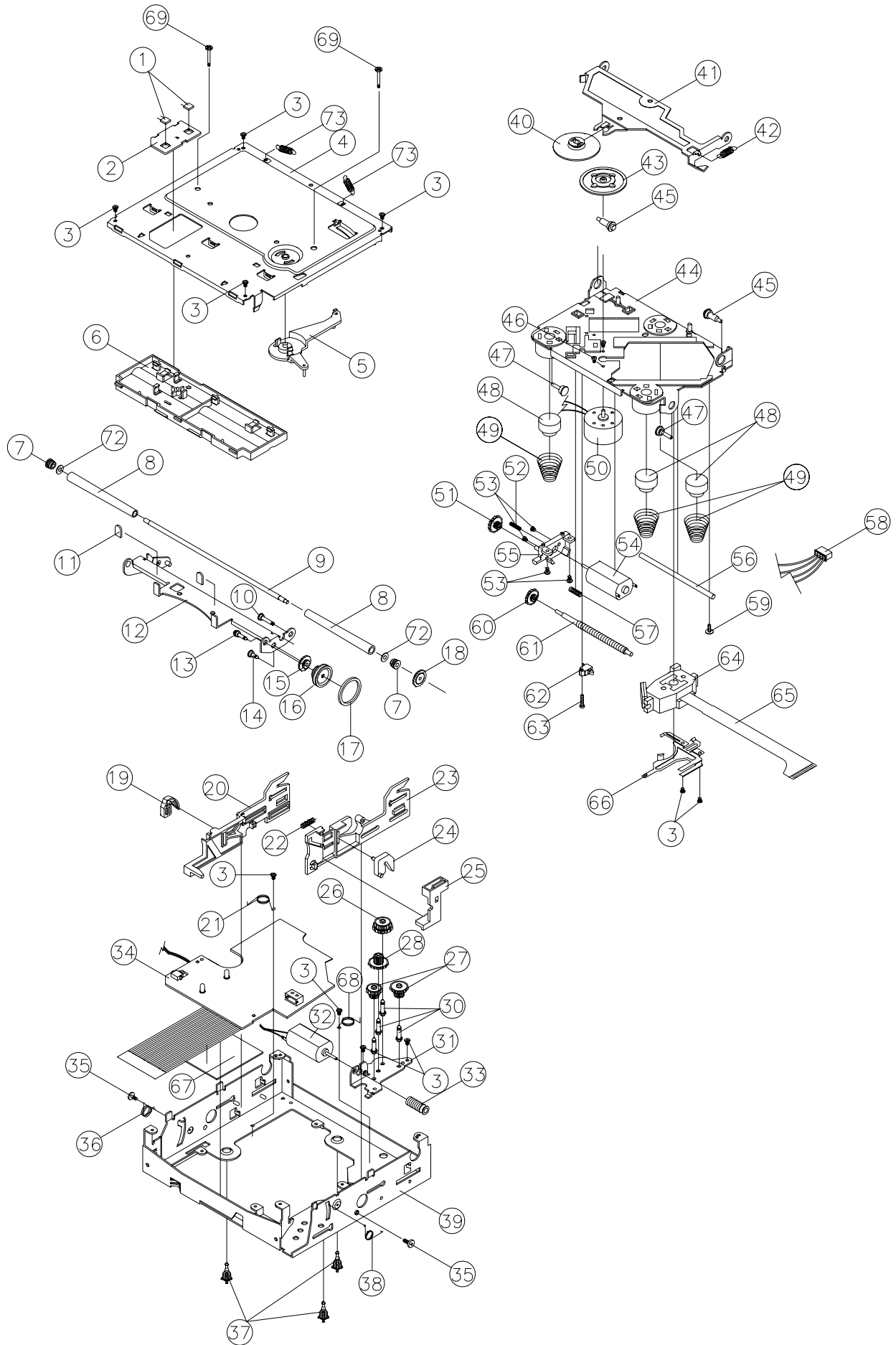


EXPLODED VIEW PARTS LIST

CABINET

| Ref. No. | Description | RS Part No. | Mfr's Part No. |
|----------|---|-------------|------------------|
| 1 | Panel | | |
| 2 | Ring ABS (S. N0000) ROHS | | 5100-0E2022-30 |
| 3 | Base Real (E) /777 ROHS | | 5100-0E2020-00 |
| 4 | U Bracket (CD200/Wire) ROHS | | 6100-0N0201-00 |
| 5 | CD MECH. MG205 (205) ROHS | | 9400-002050-01 |
| 6 | Heat Sink (For Wire) ROHS | | 6100-0N0204-00 |
| 7 | Top Cabinet ROHS | | 6100-0B0105-01 |
| 8 | Bottom Cabinet (For Wire) ROHS | | 6100-0B0114-01 |
| 9 | Main Fiber ROHS | | 3500-0B0101-00 |
| 10 | Main Board | | 1111-500040-020C |
| 11 | Mounting Box (072) ROHS | | 6100-007211-03 |
| 12 | Shade ROHS | | 8100-069005-03 |
| 13 | CD Windows Sheet ROHS | | 4300-0A3103-00 |
| 14 | Lock Panel Knob ROHS | | 5200-0E2041-00 |
| 15 | Spring For EJ Panel CD200 ROHS | | 3600-0E2001-00 |
| 16 | Hook Knob ROHS | | 5200-0E2040-01 |
| 17 | Spring For Hook Knob CD200 ROHS | | 3600-0E2002-00 |
| 18 | Deck Front Bracket (CDN200) ROHS | | 3900-0N0201-00 |
| 19 | Deck Rear Bracket ROHS | | 3900-0B0101-01 |
| 20 | FM Cover ROHS | | 3900-0W2001-00 |
| 21 | M.FAE347/P21/P22 East Furepe 1 Pack 65-108MHJ | | 2900-000347-03 |
| 22 | ROHS | | 3900-0E2003-00 |
| 23 | Spring Sheet ROHS | | 3900-0B0118-00 |
| 24 | Heat Sink (7809/DB435) ROHS | | 3900-0B1415-00 |
| 25 | Wire Clip 1.0MM ROHS | | 4000-005018-04 |
| 26 | Screw Ø5X18 HH ROHS | | 3500-050001-00 |
| 27 | Spring Washer M5 ROHS | | 3500-040005-00 |
| 28 | Hexagon Nut M5 ROHS | | 4000-002604-01 |
| 29 | Screw Ø2.6 X 4 BH/MS ROHS | | 4000-002605-03 |
| 30 | Screw Ø2.6 X 5 BH/TAPTITE ROHS | | 4000-002606-01 |
| 31 | Screw Ø2.6 X 6 BH/MS ROHS | | 4000-012606-01 |
| 32 | Screw Ø2.6 X 6 BH/MS Black ROHS | | 4000-002608-01 |
| 33 | Screw Ø2.6 X 8 BH/MS ROHS | | 4000-002610-01 |
| 34 | Screw Ø2.6 X 10 BH/MS ROHS | | 4000-002620-00 |
| | Screw M2.6 X 20 PH/MS ROHS | | |

EXPLODED VIEW (DECK)



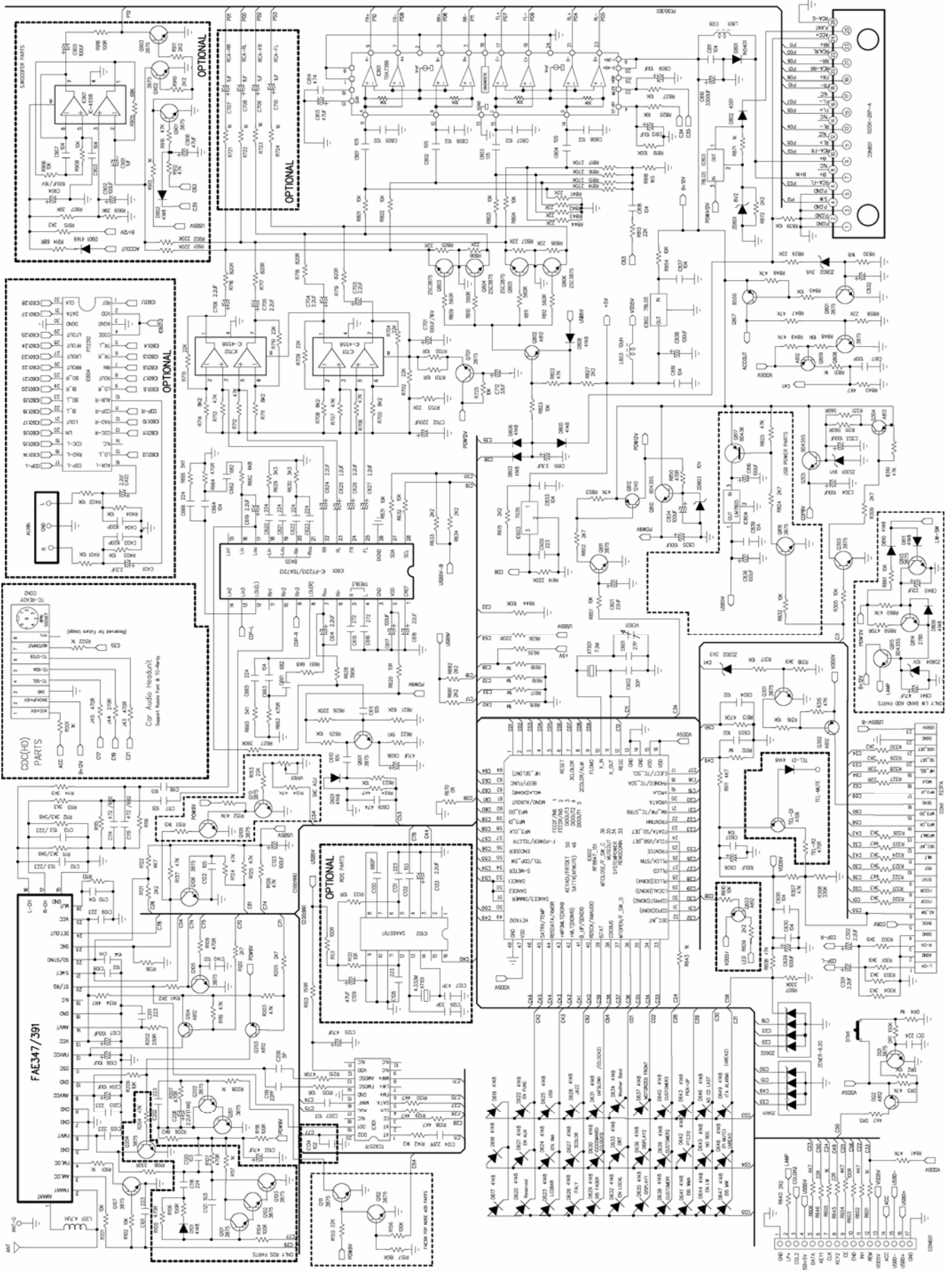
EXPLODED VIEW PARTS LIST (DECK)

| Ref. No. | Description | Parts No. | Q'ty |
|----------|----------------|-------------------|------|
| 1 | SENSOR | ST-23G | 2 |
| 2 | SENSOR PCB | FR | 1 |
| 3 | SCREW | CA/H 0" TT 2*3 | 12 |
| 4 | COVER-UPPER | SECC T1.0 | 1 |
| 5 | LEVER DISC | POM (F20-03) | 1 |
| 6 | GUIDE UP | POM (F20-03) | 1 |
| 7 | BUSHING ROLLER | POM (F20-03) | 2 |
| 8 | ROLLER DISC | SLICON | 2 |
| 9 | SHAFT ROLLER | SUS 303 | 1 |
| 10 | PIN ROLLER | SUM24L-NI (PLATE) | 1 |
| 11 | PVC CAP | PVC | 2 |
| 12 | B/K ROLLER | SECC T1.0 | 1 |
| 13 | PIN PULLEY | SUM24L-NI (PLATE) | 1 |
| 14 | PIN IDLE | SUM24L-NI (PLATE) | 1 |
| 15 | GEAR IDLE | POM (F20-03) | 1 |
| 16 | GEAR PULLEY | POM (F20-03) | 1 |
| 17 | BELT PULLEY | CR-WRT | 1 |
| 18 | GEAR ROLLEY | POM (F20-03) | 1 |
| 19 | LOCKER (L) | POM (F20-03) | 1 |
| 20 | CAM (L) | POM (F20-03) | 1 |
| 21 | S/P CAM (L) | SUS304WPB | 1 |
| 22 | S/P RACK | SUS304WPB | 1 |
| 23 | CAM (R) | POM (F20-03) | 1 |
| 24 | LOCKER ® | POM (F20-03) | 1 |
| 25 | GEAR RACK | POM (F20-03) | 1 |
| 26 | GEAR LOAD © | POM (F20-03) | 1 |
| 27 | GEAR LOAD (D) | POM (F20-03) | 1 |
| 28 | GEAR LOAD (B) | POM (F20-03) | 1 |
| 29 | GEAR LOAD (A) | POM (F20-03) | 1 |
| 30 | PIN LOAD | SUM24L-NI (PLATE) | 4 |
| 31 | B/K GEAR | SECC T1.0 | 1 |
| 32 | MOTOR | FF-050SH-11190 | 1 |
| 33 | GEAR WORM | POM (F20-03) | 1 |
| 34 | SERVO PCB ASSY | GLASS EPOXY 1.2T | 1 |
| 35 | SPECIAL SCREW | P/H TTS 2*2 | 4 |
| 36 | S/P RO (L) | SUS304WPB | 1 |
| 37 | SUPPORT DAMPER | POM (F20-03) | 3 |
| 38 | S/P RO ® | SUS304WPB | 1 |
| 39 | CHASSIS MAIN | SEEC T1.0 | 1 |

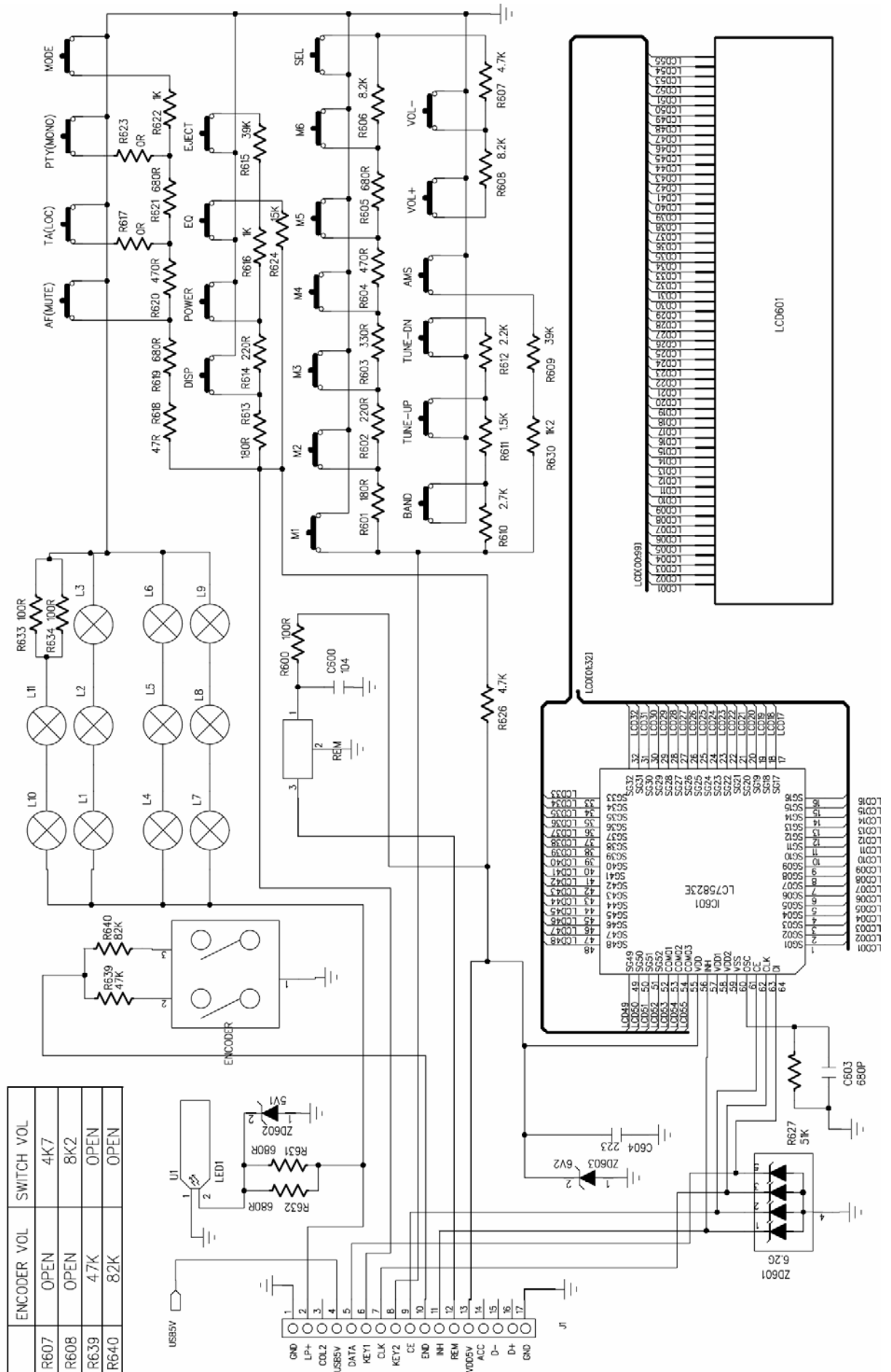
EXPLODED VIEW PARTS LIST - CONTINUED (DECK)

| Ref. No. | Description | Parts No. | Q'ty |
|----------|-----------------|---------------------|------|
| 40 | CLAMP DISC | POM (F20-03) | 1 |
| 41 | HOLD CLAMPER | SECC T1.0 | 1 |
| 42 | S/P CLAMPER | SUS304WPB | 1 |
| 43 | TURN TABLE | ABS G/F 20% | 1 |
| 44 | BASE PU | POM (F20-03) | 1 |
| 45 | PIN SIDE (A) | SUM24L-NI (PLATE) | 2 |
| 46 | SCREW | CA/H 0" M/S 1.7*2.5 | 2 |
| 47 | PIN SIDE (B) | SUM24L-NI (PLATE) | 2 |
| 48 | DAMPER | BUTHYL | 1 |
| 49 | S/P BASE | SUS304WPB | 2 |
| 50 | MOTOR | RF-400CA-12265 | 1 |
| 51 | GEAR PU (B) | HYTRELL 5526 | 1 |
| 52 | GEAR PU (A) | POM (F20-03) | 1 |
| 53 | SCREW | CA/H 0" M/S 2*2 | 6 |
| 54 | MOTOR | FF-050SH-11190 | 1 |
| 55 | HOUSING GEAR | POM (F20-03) | 1 |
| 56 | SHAFT PU | KNN11 (PCD18) | 1 |
| 57 | SCREW | R/H (W/W) TTB2*5 | 1 |
| 58 | 4P CONT WIRE | 1007 #28 | 1 |
| 59 | SPRING TENSION | SUS304WPB | 1 |
| 60 | GEAR PU © | POM (F20-03) | 1 |
| 61 | LEAD SCREW | BSBM | 1 |
| 62 | SWITCH | SW-110 | 1 |
| 63 | SCREW | B/H TTB1.7*8 | 1 |
| 64 | PICK UP | MG205 | 1 |
| 65 | FPC WIRE | POLY AMIDE | 1 |
| 66 | SPRING PU | SUS T0.2 | 1 |
| 67 | FIBER PAPER | | 1 |
| 68 | S/P CAM ® | 0.55 | 1 |
| 69 | TRANSIT SCREW | 4.5*18 | 2 |
| 70 | INSULATOR COVER | PE | 1 |
| 71 | SWITCH | SW-111 | 1 |
| 72 | WASHER PE | PE | 2 |
| 73 | S/P BASE ® | SUS304WPB | 2 |

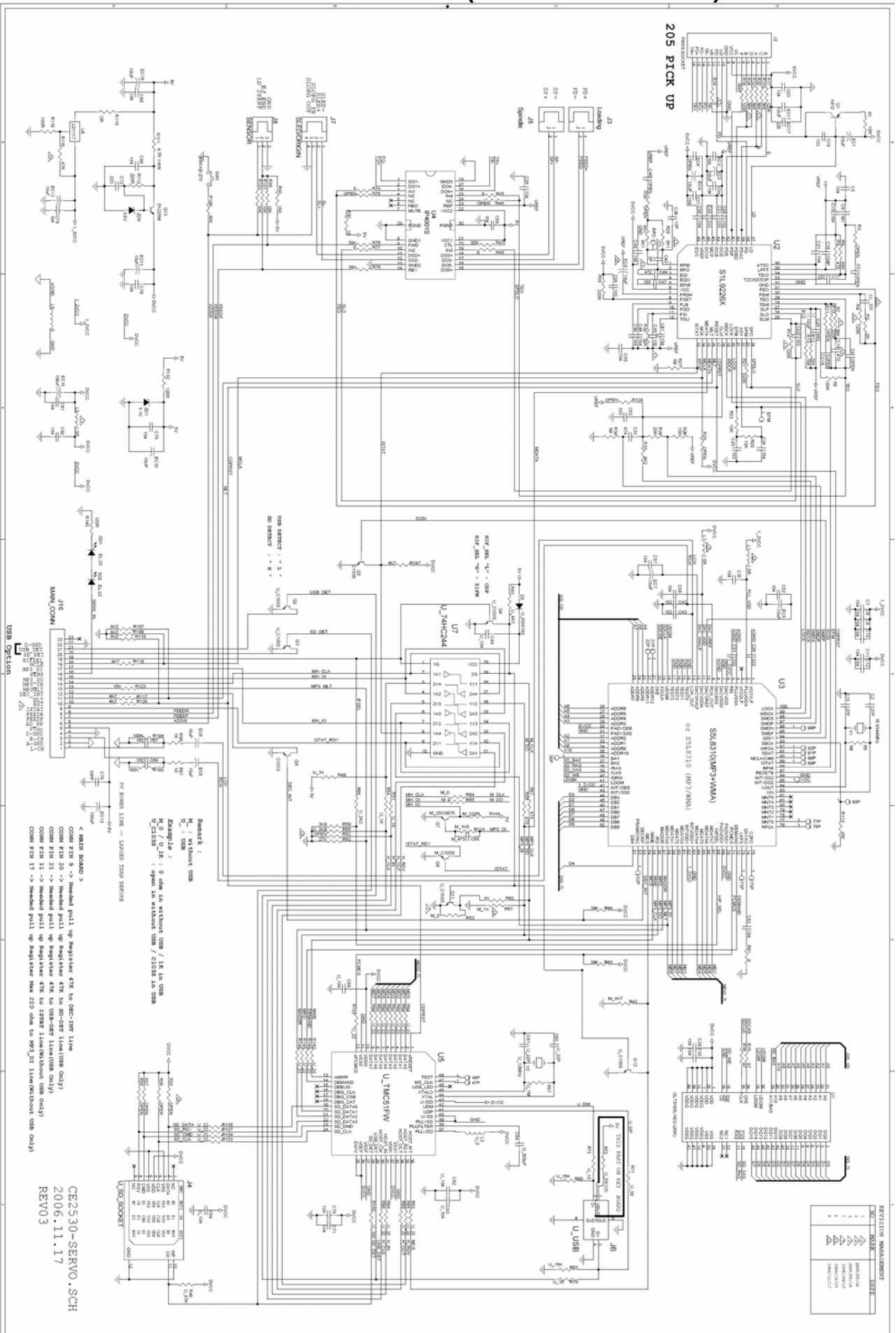
SCHEMATIC DIAGRAM (MAIN BOARD)



SCHEMATIC DIAGRAM (KEY BOARD)



SCHEMATIC DIAGRAM (CD SERVO BOARD)



ELECTRICAL PARTS LIST

| Ref. No. | Part No. | Description | Q'ty |
|--|----------------------|---|------|
| PC BOARD ASSY, MAIN BOARD | | | |
| IC804 | 0100-007805-00 | IC,78L05 TO-92 ROHS | 1 |
| D639,625,630 | 0200-004148-02 | DIODE SMD RLS4148 LL-34 ROHM ROHS | 3 |
| IC601 | 0300-007313-01 | IC SC-7313 (SILAN) ROHS | 1 |
| IC801 | 0300-007388-00 | IC TDA7388 (4x40W) ST "Y" ROHS | 1 |
| IC602 | 0300-0F8847-151 | CPU RF8847-151 MP3+WMA+TC+RUSSION FONT | 1 |
| R704,709,710,715 | 0700-063273-00 | RES SMD 27KΩ ±5% 1/10W 0603 ROHS | 4 |
| | 1111-500040-020 C | CD(D)5000YMB9X3.90 RUSSIA) 183X152X1.6MM | 1 |
| RESET | 1600-000244-00 | SWITCH TACT KFC-A06-2WA 7.4×6.5×6.6MM XYS ROHS | 1 |
| | 2500-0F2006-17 | CONNECTOR FEMALE 17PIN P=2.0MM DR-F17-2.0 EASTSUN ROHS | 1 |
| ANT | 3200-083210-01 | ANT SOCKET W/GND § 3MM L=210MM ROHS | 1 |
| Q810,Q305 | 0100-000435-00S | TR NPN BD435S TO-126 FAIRCHLD ROHS | 2 |
| Q802,Q809,Q104,Q302,Q304 | 0100-000812-00F | 2SA812-G(ROHS) | 5 |
| Q812 | 0100-001240-00 | TRANSISTOR B1240 ROHS | 1 |
| Q105~107,Q601,Q801,Q803~8 06,Q808,Q811,Q301,Q303,Q70 1 | 0100-003875-07F | TR NPN KTC3875-GR SOT-23 ROHS | 14 |
| I802,IC803 | 0100-007805-00 | IC,78L05 TO-92 ROHS | 2 |
| Q807 | 0100-008550-03 | TR PNP SS8550C TO-92-B ROHS | 1 |
| D802 | 0200-004001-00 | DIODE IN4001 DO-41 ROHS | 1 |
| D803,D805 | 0200-004148-00A | DIODE 1N-4148 DO-35 TAPPING ROHS | 2 |
| D601,D806,D632,D808 | 0200-004148-02 | DIODE SMD RLS4148 LL-34 ROHM ROHS | 4 |
| D801 | 0200-005401-00 | DIODE IN5401 DO-27 ROHS | 1 |
| ZD302 | 0200-050033-54 | ZENER DIODE SMD 3.3V 0.5W ±2% LL-34 ROHS | 1 |
| ZD802 | 0200-050036-02 | ZENER DIODE SMD 3.6V 0.5W ±2% LL-34 ROHS | 1 |
| ZD801 | 0200-050082-01 | ZENER DIODE SMD 8.2V 0.5W LL-34 ROHS | 1 |
| ZD301 | 0200-050091-03 | ZENER DIODE SMD 9.1V 0.5W ±2% LL-34 ROHS | 1 |
| ZD803 | 0200-050100-02 | ZENER DIODE SMD 10V 0.5W ±5% LL-34 ROHS | 1 |
| IC701,IC702 | 0300-004558-26S | IC UTC4558 SOP (SILAN) ROHS | 2 |
| IC603 | 0300-007035-00 | IC KIA7035AP TO-92 ROHS | 1 |
| XT601 | 0400-000072-01H | CRYSTAL OSCILLATOR 7.2MHZ ±30PPM HC-49U/S ROHS | 1 |
| C805~808 | 0500-003102-10 | CER.CAP SMD 1000PF 50V ±10% 0805 Y5P ROHS | 4 |
| C122,C610,C116,C117,C611,C 801~804 | 0500-003105-10 | CER.CAP SMD 1uF 25V ±20% X7R 0805 ROHS | 9 |
| C601 | 0500-003270-05S | CER.CAP SMD 27PF 50V ±5% NPO 0805 ROHS | 1 |
| C602 | 0500-003330-05S | CER.CAP SMD 33PF 50V ±5% NPO 0805 ROHS | 1 |
| C817 | 0500-063101-00 | CER.CAP SMD 100PF 50V ±5% NPO 0603 ROHS | 1 |
| IC101 | 0300-009257-00H | IC SC9257 ROHS | 1 |

ELECTRICAL PARTS LIST-CONTINUED

| Ref. No. | Part No. | Description | Q'ty |
|---|-----------------|---|------|
| C603,C604,C140 | 0500-063102-01 | CER.CAP SMD 1000PF 50V ±10% X7R 0603 ROHS | 3 |
| C207 | 0500-063103-01 | CER.CAP SMD 0.01uF 50V ±10% X7R 0603 ROHS | 1 |
| C110,C111,C607,C811,C833,C819,C663,C664,C630,C600,C839,C837,C818,C108,C123 | 0500-063104-01 | CER.CAP SMD 0.1uF 50V ±10% X7R 0603 ROHS | 15 |
| C119,C124 | 0500-063220-00 | CER.CAP SMD 22PF 50V ±5% NPO 0603 ROHS | 2 |
| C101,C105,C109,C605 | 0500-063223-01 | CER.CAP SMD 0.022uF 50V ±10% X7R 0603 ROHS | 4 |
| C620~623,C665,C666 | 0500-063224-01 | CER.CAP SMD 0.22uF 16V ±10% X7R 0603 ROHS | 8 |
| C615,C616 | 0500-063272-01 | CER.CAP SMD 2700PF 50V ±10% X7R 0603 ROHS | 2 |
| C814,C609 | 0500-063474-01 | CER.CAP SMD 0.47uF 25V +80/-20% Y5V 0603 ROHS | 2 |
| C661,C662 | 0500-063682-01 | CER.CAP SMD 6800PF 50V ±10% X7R 0603 ROHS | 2 |
| C606,C629,C617,C303,C304,C107,C838 | 0600-010107-01 | E.CAP 100uF 10V ±20% § 5X7MM ROHS | 7 |
| C702 | 0600-010227-01 | E.CAP 220uF 10V ±20% § 6×7MM ROHS | 1 |
| C125,C813,C608,C102 | 0600-010476-03 | E.CAP 47uF 10V ±20% § 6×5MM ROHS | 4 |
| C809,C812,C106 | 0600-016106-02 | E.CAP 10uF 16V ±20% § 3.5×5MM ROHS | 3 |
| C834,835,701 | 0600-016107-03 | E.CAP 100uF 16V +/-20% 5X7MM ROHS | 3 |
| C618,C821 | 0600-016226-01 | E.CAP 22uF 16V ±20% § 4×7MM ROHS | 2 |
| C712 | 0600-016336-02 | E.CAP 33uF 16V ±20% § 6.3×5MM ROHS | 1 |
| C810 | 0600-016338-00S | E.CAP 3300uF 16V ±20% § 13×25MM ROHS | 1 |
| C614,C619,C624~627,C703~706,C301,C302 | 0600-050225-02 | E.CAP 0.22uF 50V ±20% § 4×5MM ROHS | 12 |
| C815 | 0600-050335-02 | E.CAP 3.3uF 50V ±20% § 4×5MM ROHS | 1 |
| R640 | 0700-005022-10 | RES 2.2Ω ±5% 1/2W ROHS | 1 |
| R134 | 0700-005047-00 | RES 4.7Ω ±5% 1/4W ROHS | 1 |
| R854 | 0700-005100-00 | RES 10Ω ±5% 1/4W ROHS | 1 |
| R620,R600 | 0700-005100-16A | RES 10Ω ±5% 1/16W (TAPPING) ROHS | 2 |
| R837 | 0700-005103-16A | RES 10KΩ ±5% 1/16W (TAPPING) ROHS | 1 |
| R327,R328 | 0700-005220-16A | RES 22Ω ±5% 1/16W (TAPPING) ROHS | 2 |
| R827,R324,R326 | 0700-005222-16A | RES 2.2KΩ ±5% 1/16W (TAPPING) ROHS | 3 |
| R813 | 0700-005223-16A | RES 22KΩ ±5% 1/16W (TAPPING) ROHS | 1 |
| R850 | 0700-005471-16A | RES 470Ω ±5% 1/16W (TAPPING) ROHS | 1 |
| R670,J63,R1 | 0700-063000-00 | RES SMD 0Ω ±5% 1/10W 0603 ROHS ROHS | 3 |
| R135,R700,R701 | 0700-063100-00 | RES SMD 10Ω ±5% 1/10W 0603 ROHS | 3 |
| R603,R103,R118 | 0700-063101-00 | RES SMD 100Ω ±5% 1/10W 0603 ROHS | 3 |
| R101,R643,R831,R605,R141,R871,R320~303 | 0700-063102-00 | RES SMD 1KΩ ±5% 1/10W 0603 ROHS | 10 |
| R102,R623,R625,R631,R632,R801~804,R839,R851,R316,R823,R845,R848,R305,R317,R820,R725 | 0700-063103-00 | RES SMD 10KΩ ±5% 1/10W 0603 ROHS | 19 |
| R819 | 0700-063104-00 | RES SMD 100KΩ ±5% 1/10W 0603 ROHS | 1 |
| R612,R618,R616,R619,R617 | 0700-063105-00 | RES SMD 1M ±5% 1/10W 0603 ROHS | 5 |
| R818 | 0700-063152-00 | RES SMD 1.5KΩ ±5% 1/10W 0603 ROHS | 1 |

ELECTRICAL PARTS LIST-CONTINUED

| Ref. No. | Part No. | Description | Q'ty |
|--|-----------------|---|------|
| R830 | 0700-063182-00 | RES SMD 1.8K Ω \pm 5% 1/10W 0603 ROHS | 1 |
| R645,R646,R001 | 0700-063220-00 | RES SMD 22 Ω \pm 5% 1/10W 0603 ROHS | 3 |
| R636 | 0700-063221-00 | RES SMD 220 Ω \pm 5% 1/10W 0603 ROHS | 1 |
| R615,R633,R634,R121,R142,R872,R681,R682,R329,R330,R325 | 0700-063222-00 | RES SMD 2.2K Ω \pm 5% 1/10W 0603 ROHS | 11 |
| R702,R703,R705~808,R829,R858,R841~844 | 0700-063223-00 | RES SMD 22K Ω \pm 5% 1/10W 0603 ROHS | 12 |
| R614,R626 | 0700-063224-00 | RES SMD 220K Ω \pm 5% 1/10W 0603 ROHS | 2 |
| R814~817 | 0700-063274-00 | RES SMD 270K Ω \pm 5% 1/10W 0603 ROHS | 4 |
| R108 | 0700-063331-00 | RES SMD 330 Ω \pm 5% 1/10W 0603 ROHS | 1 |
| R113,R114,R629,R630,R320,R321,R326,R323,R324 | 0700-063332-00 | RES SMD 3.3K Ω \pm 5% 1/10W 0603 ROHS | 9 |
| R607,R308 | 0700-063334-00 | RES SMD 330K Ω \pm 5% 1/10W 0603 ROHS | 2 |
| R318,R301,R302 | 0700-063392-00 | RES SMD 3.9K Ω \pm 5% 1/10W 0603 ROHS | 3 |
| R627,R628 | 0700-063394-00 | RES SMD 390K Ω \pm 5% 1/10W 0603 ROHS | 2 |
| R109,R663,R664 | 0700-063471-00 | RES SMD 470 Ω \pm 5% 1/10W 0603 ROHS | 3 |
| R122,R602,R604,R611,R840,R606,R129,R130,R138,R624,R852,R309,R120 | 0700-063472-00 | RES SMD 4.7K Ω \pm 5% 1/10W 0603 ROHS | 16 |
| R125,R126,R608,R706,R707,R712,R713,R846,R822,R124,R137,R849,R847,R307,R641,R853,R310,R119,R315 | 0700-063473-00 | RES SMD 47K Ω \pm 5% 1/10W 0603 ROHS | 20 |
| R613 | 0700-063474-00 | RES SMD 470K Ω \pm 5% 1/10W 0603 ROHS | 1 |
| R622,R665,R666 | 0700-063512-00 | RES SMD 5.1K Ω \pm 5% 1/10W 0603 ROHS | 3 |
| R809~812,R311,R331 | 0700-063561-00 | RES SMD 560 Ω \pm 5% 1/10W 0603 ROHS | 6 |
| R661,R662 | 0700-063682-00 | RES SMD 6.8K Ω \pm 5% 1/10W 0603 ROHS | 2 |
| R716~719 | 0700-063821-00 | RES SMD 820 Ω \pm 5% 1/10W 0603 ROHS | 4 |
| R705,R708,R711,R714 | 0700-063822-00 | RES SMD 8.2K Ω \pm 5% 1/10W 0603 ROHS | 4 |
| R621 | 0700-063823-00 | RES SMD 82K Ω \pm 5% 1/10W 0603 ROHS | 1 |
| L803 | 0900-070100-01 | MICRO INDUCTOR 10UH AXIAL TYPE ROHS | 1 |
| L801 | 1500-027012-11 | TOROIDAL COIL XC-169-110uH V-TYPE § 27×12MM Xin- DeXing ROHS | 1 |
| OSC | 3100-086120-08 | SINGLE SHIELD WIRE 120MM GREY ROHS | 1 |
| PC BOARD ASSY, MAIN BOARD FM TUNER SECTION | | | |
| D633,645 | 0200-004148-02 | DIODE SMD RLS4148 LL-34 ROHM ROHS | 2 |
| C112,113 | 0500-063153-01 | CER.CAP SMD 0.015uF 50V \pm 10 X7R 0603 ROHS | 2 |
| C114,115 | 0500-063682-01 | CER.CAP SMD 6800PF 50V \pm 10% X7R 0603 ROHS | 2 |
| R111,112 | 0700-063562-00 | RES SMD 5.6K Ω \pm 5% 1/10W 0603 ROHS | 2 |
| | 2900-000347-03 | M.FAE347/P21/P22 EAST FUREPE 1 PACK 65-108MHJ ROHS | 1 |
| PC BOARD ASSY, MAIN BOARD AM TUNER SECTION | | | |
| C206 | 0500-063050-00 | CER.CAP SMD 5PF 50V \pm 5% NPO 0603 ROHS | 1 |
| R210 | 0700-063471-00 | RES SMD 470 Ω \pm 5% 1/10W 0603 ROHS | 1 |
| Q203 | 0100-000812-00F | 2SA812-G(ROHS) | 1 |
| Q201/2 | 0100-003875-07F | TR NPN KTC3875-GR SOT-23 ROHS | 2 |
| C208 | 0500-016225-54 | TAN CAP SMD 2.2uF 16V \pm 10% 3.2×1.6×1.6MM ROHS | 1 |

ELECTRICAL PARTS LIST-CONTINUED

| Ref. No. | Part No. | Description | Q'ty |
|---------------------------------|------------------|---|------|
| C201~3 | 0500-063223-01 | CER.CAP SMD 0.022uF 50V ±10% X7R 0603 ROHS | 3 |
| R209 | 0700-063100-00 | RES SMD 10Ω ±5% 1/10W 0603 ROHS | 1 |
| R208 | 0700-063102-00 | RES SMD 1KΩ ±5% 1/10W 0603 ROHS | 1 |
| R201 | 0700-063103-00 | RES SMD 10KΩ ±5% 1/10W 0603 ROHS | 1 |
| R202 | 0700-063331-00 | RES SMD 330Ω ±5% 1/10W 0603 ROHS | 1 |
| R207 | 0700-063471-00 | RES SMD 470Ω ±5% 1/10W 0603 ROHS | 1 |
| R205 | 0700-063472-00 | RES SMD 4.7KΩ ±5% 1/10W 0603 ROHS | 1 |
| R203 | 0700-063473-00 | RES SMD 47KΩ ±5% 1/10W 0603 ROHS | 1 |
| R206 | 0700-063822-00 | RES SMD 8.2KΩ ±5% 1/10W 0603 ROHS | 1 |
| C204 | 0600-016106-02 | E.CAP 10uF 16V ±20% ⌀ 3.5×5MM ROHS | 1 |
| L201 | 0900-070470-04 | M. INDUCTOR AL03TO4R7 (AXIAL) ROHS | 1 |
| PC BOARD ASSY, KEY BOARD | | | |
| | 0200-001007-09 | LED BACK LIGHT WHITE QB02001-09B 89.3×19.7×3.3MM TIDAL ROHS | 1 |
| R624 | 0700-063153-00 | RES SMD 15KΩ ±5% 1/10W 0603 ROHS | 1 |
| R623 | 0700-063203-00 | RES SMD 20KΩ ±5% 1/10W 0603 ROHS | 1 |
| R640 | 0700-063473-00 | RES SMD 47KΩ ±5% 1/10W 0603 ROHS | 1 |
| R617 | 0700-063512-00 | RES SMD 5.1KΩ ±5% 1/10W 0603 ROHS | 1 |
| R639 | 0700-063823-00 | RES SMD 82KΩ ±5% 1/10W 0603 ROHS | 1 |
| | 1121-300531-3108 | CDE3005 17PIN KB D/S 1.2X185X44.5MM | 1 |
| VOL+/- | 1800-000115-00P | VOL ENCODER EC11E15D4MA1 12×11.7×14.5MM POSTEC ROHS | 1 |
| | 2500-0M2005-17 | CONNETOR SMD MALE 17PIN P=2.0MM H-TYPE DR-NM7-2.0 EASTSUN ROHS | 1 |
| | 2700-300200-110Y | CD3001 LCD TN NEG COLOR BLACK MASK 22X84 PIN ROHS | 1 |
| | 8100-010307-06 | LAMP COVER 3MM CYAN ROHS | 12 |
| DLP1~12 | 0200-030553-60T | LAMP 3V 60MA ⌀ 3X5.5MM KEE TAT ROHS | 12 |
| IC601 | 0300-075823-00H | IC LC75823ED ROHS | 1 |
| C604 | 0500-063223-01 | CER.CAP SMD 0.022uF 50V ±10% X7R 0603 ROHS | 1 |
| C603 | 0500-063681-00 | CER.CAP SMD 680PF 50V ±5% NPO 0603 ROHS | 1 |
| R646 | 0700-063103-00 | RES SMD 10KΩ ±5% 1/10W 0603 ROHS | 1 |
| R611 | 0700-063152-00 | RES SMD 1.5KΩ ±5% 1/10W 0603 ROHS | 1 |
| R601,613 | 0700-063181-00 | RES SMD 180Ω ±5% 1/10W 0603 ROHS | 2 |
| R602,614 | 0700-063221-00 | RES SMD 220Ω ±5% 1/10W 0603 ROHS | 2 |
| R612 | 0700-063222-00 | RES SMD 2.2KΩ ±5% 1/10W 0603 ROHS | 1 |
| R616 | 0700-063242-00 | RES SMD 2.4KΩ ±5% 1/10W 0603 ROHS | 1 |
| R610 | 0700-063272-00 | RES SMD 2.7KΩ ±5% 1/10W 0603 ROHS | 1 |
| R603 | 0700-063331-00 | RES SMD 330Ω ±5% 1/10W 0603 ROHS | 1 |
| R609 | 0700-063333-00 | RES SMD 33KΩ ±5% 1/10W 0603 ROHS | 1 |
| R615 | 0700-063393-00 | RES SMD 39KΩ ±5% 1/10W 0603 ROHS | 1 |
| R618 | 0700-063470-00 | RES SMD 47Ω ±5% 1/10W 0603 ROHS | 1 |
| R604,620 | 0700-063471-00 | RES SMD 470Ω ±5% 1/10W 0603 ROHS | 1 |
| R626 | 0700-063472-00 | RES SMD 4.7KΩ ±5% 1/10W 0603 ROHS | 1 |
| R627 | 0700-063513-00 | RES SMD 51KΩ ±5% 1/10W 0603 ROHS | 1 |
| R605,619,621,631,632 | 0700-063681-00 | RES SMD 680Ω ±5% 1/10W 0603 ROHS | 5 |

ELECTRICAL PARTS LIST-CONTINUED

| Ref. No. | Part No. | Description | Q'ty |
|---|-----------------|--|------|
| SW RES | 1600-001107-02S | TACT SW KPT-1107CD 4.3 2P IN RED | 19 |
| PC BOARD ASSY, SDK/CD SERVO BOARD | | | |
| R303,304 | 0700-063332-00 | RES SMD 3.3K Ω \pm 5% 1/10W 0603 ROHS | 2 |
| DECK TO MB | 2500-009286-18 | FFC WIRE(UNILATERAL PLUG)130MM 18PIN P=1.25MM ROHS | 1 |
| DECK TO MB | 2500-011101-18 | SOCKET 18PIN P=1.25 TOP-CONTACT H-TYPE (NEGATIVE- NEEDLE) JingShi ROHS | 1 |
| Q5,6,8 | 0100-000103-00 | TR. KEC103S ROHS | 3 |
| Q1 | 0100-000812-00F | 2SA812-G(ROHS) | 1 |
| Q7 | 0100-003875-07F | TR NPN KTC3875-GR SOT-23 ROHS | 1 |
| ZD9 | 0200-050036-54 | ZENER DIODE SMD 3.6V 0.5W \pm 5% LL-34 ROHS | 1 |
| ZD1 | 0200-050151-00 | ZENER DIODE SMD 5.1V 0.5W LL-34 ROHS | 1 |
| U8 | 0300-001117-00 | VOLTAQE REGULATOR LD1117S ROHS | 1 |
| U3 | 0300-008310-01 | SAMSUNG MP3 AND WMA DECODER S5L8310 ROHS | 1 |
| U2 | 0300-009226-00K | IC S1L9226 ROHS | 1 |
| U4 | 0300-009259-00S | IC SC9259 (SILAN) ROHS | 1 |
| U1 | 0300-016100-01 | SDRAM IS42S16100C1-7TI TSOP-50 ISSI ROHS | 1 |
| Y1 | 0400-000169-01 | CRYSTAL 16.9344MHZ \pm 30PPM HC-49U/SM 20PF SM-1225 ROHS | 1 |
| C40 | 0500-063030-00 | CER.CAP SMD 3PF 50V \pm 5% NPO 0603 ROHS | 1 |
| C76,38 | 0500-063100-00 | CER.CAP SMD 10PF 50V \pm 5% NPO 0603 ROHS | 2 |
| C42,43,45,C47 | 0500-063102-01 | CER.CAP SMD 1000PF 50V \pm 10% X7R 0603 ROHS | 4 |
| C19,22,25,28,31,56 | 0500-063103-01 | CER.CAP SMD 0.01uF 50V \pm 10% X7R 0603 ROHS | 6 |
| C5,7~12,15,21,23,24,29,30/2/4/ 6/7/9,41,48~50,52/5,57~59,66,7 0,71,78~83,38,16,EC3A C67,68 | 0500-063104-01 | CER.CAP SMD 0.1uF 50V \pm 10% X7R 0603 ROHS | 39 |
| | 0500-063152-00N | CER.CAP SMD 1500PF 50V \pm 5% NPO 0603 ROHS | 2 |
| C17,26,33 | 0500-063222-01 | CER.CAP SMD 2200PF 50V \pm 10% X7R 0603 ROHS | 3 |
| C72 | 0500-063223-01 | CER.CAP SMD 0.022uF 50V \pm 10% X7R 0603 ROHS | 1 |
| EC17A | 0500-063225-00 | CER.CAP SMD 2.2uF 16V \pm 10% Y5V 0805N+ ROHS | 1 |
| C2,13 | 0500-063270-00 | CER.CAP SMD 27PF 50V \pm 5% NPO 0603 ROHS | 2 |
| C1 | 0500-063331-00 | CER.CAP SMD 330PF 50V \pm 5% NPO 0603 ROHS | 1 |
| C53,35 | 0500-063333-01 | CER.CAP SMD 0.033uF 50V \pm 10% X7R 0603 ROHS | 2 |
| C6 | 0500-063391-00 | CER.CAP SMD 390PF 50V \pm 5% NPO 0603 ROHS | 1 |
| L6,R115 | 0700-005000-54 | RES SMD 0 Ω \pm 5% 1/10W 0805 ROHS | 2 |
| C14,44 | 0500-063472-01 | CER.CAP SMD 4700PF 50V \pm 10% X7R 0603 ROHS | 2 |

ELECTRICAL PARTS LIST-CONTINUED

| Ref. No. | Part No. | Description | Q'ty |
|----------------------------------|------------------|--|------|
| C65 | 0500-063473-01 | CER.CAP SMD 0.047uF 50V ±10% X7R 0603 ROHS | 1 |
| C51 | 0500-063474-01 | CER.CAP SMD 0.47uF 25V +80/-20% Y5V 0603 ROHS | 1 |
| C20 | 0500-063683-01 | CER.CAP SMD 0.068uF 50V ±10% X7R 0603 ROHS | 1 |
| EC1~5,7~9,16,11,17,EC6 | 0600-016106-54 | E.CAP SMD 10uF ±10% 16V § 4×5.5MM ROHS | 12 |
| EC13,15 | 0600-016107-54 | E.CAP SMD 100uF 16V ±10% § 6.3×5.5MM ROHS | 2 |
| L1,5,7 | 0700-005015-54 | RES SMD 1.5Ω +/-5% 1/10W 0805 ROHS | 3 |
| R19,41,45,48,53,64,65,74,77,50,2 | 0700-063000-00 | RES SMD 0Ω ±5% 1/10W 0603 ROHS ROHS | 11 |
| R1 | 0700-063100-00 | RES SMD 10Ω ±5% 1/10W 0603 ROHS | 1 |
| R60,61,82,86,87 | 0700-063102-00 | RES SMD 1KΩ ±5% 1/10W 0603 ROHS | 5 |
| R20,23,43,44,98,101,113 | 0700-063103-00 | RES SMD 10KΩ ±5% 1/10W 0603 ROHS | 7 |
| R102,104 | 0700-063104-00 | RES SMD 100KΩ ±5% 1/10W 0603 ROHS | 2 |
| R5,27,34 | 0700-063105-00 | RES SMD 1M ±5% 1/10W 0603 ROHS | 3 |
| R119,132,140 | 0700-063121-00 | RES SMD 120Ω ±5% 1/10W 0603 ROHS | 3 |
| R4,14,17,18 | 0700-063124-00 | RES SMD 120KΩ ±5% 1/10W 0603 ROHS | 4 |
| R114 | 0700-063152-00 | RES SMD 1.5KΩ ±5% 1/10W 0603 ROHS | 1 |
| R13,26,92,123 | 0700-063153-00 | RES SMD 15KΩ ±5% 1/10W 0603 ROHS | 4 |
| R8 | 0700-063154-00 | RES SMD 150KΩ ±5% 1/10W 0603 ROHS | 1 |
| R29 | 0700-063203-00 | RES SMD 20KΩ ±5% 1/10W 0603 ROHS | 1 |
| R112/48 | 0700-063221-00 | RES SMD 220Ω ±5% 1/10W 0603 ROHS | 2 |
| R32,12 | 0700-063223-00 | RES SMD 22KΩ ±5% 1/10W 0603 ROHS | 2 |
| R39,10,21 | 0700-063224-00 | RES SMD 220KΩ ±5% 1/10W 0603 ROHS | 3 |
| R62 | 0700-063273-00 | RES SMD 27KΩ ±5% 1/10W 0603 ROHS | 1 |
| R103 | 0700-063333-00 | RES SMD 33KΩ ±5% 1/10W 0603 ROHS | 1 |
| R59 | 0700-063392-00 | RES SMD 3.9KΩ ±5% 1/10W 0603 ROHS | 1 |
| R76,78 | 0700-063393-00 | RES SMD 39KΩ ±5% 1/10W 0603 ROHS | 2 |
| R15,16 | 0700-063470-00 | RES SMD 47Ω ±5% 1/10W 0603 ROHS | 2 |
| R67,68 | 0700-063471-00 | RES SMD 470Ω ±5% 1/10W 0603 ROHS | 2 |
| R42,117,118,126,147 | 0700-063472-00 | RES SMD 4.7KΩ ±5% 1/10W 0603 ROHS | 5 |
| R9,116 | 0700-063473-00 | RES SMD 47KΩ ±5% 1/10W 0603 ROHS | 2 |
| R7,22,24,120,121 | 0700-063563-00 | RES SMD 56KΩ ±5% 1/10W 0603 ROHS | 5 |
| R6 | 0700-063683-00 | RES SMD 68KΩ ±5% 1/10W 0603 ROHS | 1 |
| R33,107,108,110 | 0700-063822-00 | RES SMD 8.2KΩ ±5% 1/10W 0603 ROHS | 4 |
| R47,106 | 0700-063823-00 | RES SMD 82KΩ ±5% 1/10W 0603 ROHS | 2 |
| R28,31 | 0700-063912-00 | RES SMD 9.1KΩ ±5% 1/10W 0603 ROHS | 2 |
| | 1121-205031-2008 | PCB SAMSUNG USB SERVO(205) 96X89.1X1.2 | 1 |
| Q3 | 0100-001858-17 | TR 2SD1858-Q ATV ROHM ROHS | 1 |
| SD1,2 | 0200-000144-00 | IR LED MIE 144A1MC ROHS | 2 |
| R111 | 0700-005047-00 | RES 4.7Ω ±5% 1/4W ROHS | 1 |
| SW1 | 1600-000111-00 | SWITCH PUSH LEVER SW-111 8×5.3×3.8MM SHINMEI ROHS | 1 |
| J8 | 2500-000090-03 | RAINBOW WIRE 90MM 3PIN AWG30# ROHS | 1 |
| J2 | 2500-001300-16 | SOCKET SMD 16PIN P=1.0MM BOTTOM-CONTACT H-TYPE HongDongXing ROHS | 1 |

ELECTRICAL PARTS LIST-CONTINUED

| Ref. No. | Part No. | Description | Q'ty |
|---|-----------------|---------------------------------|------|
| J7 | 2500-053015-20E | SOCKET 4PIN CD DECK BoMu ROHS | 1 |
| PC BOARD ASSY, MAIN BOARD LINE OUT SECTION | | | |
| C707,708 | 0600-050105-03 | E.CAP 1uF 50V ±20% 4×5MM ROHS | 2 |
| R721,722 | 0700-063102-00 | RES SMD 1KΩ ±5% 1/10W 0603 ROHS | 2 |
| | 2000-020360-08 | RCA CABLE WIRE 360MM GREY ROHS | 1 |

SPECIFICATIONS

| | |
|----------------------------------|--|
| T. H. D..... | Less than 0.35% |
| Signal to Noise Ratio | More than 60 dB |
| Channel Separation..... | More than 60 dB |
| Frequency Response | 20Hz-20kHz |
| Stereo Separating (FM) | 30 dB (at 1kHz) |
| Signal to Noise Ratio (FM) | Better than 50 dB |
| Output Power | 4 X 40W |
| Speaker Output Impedance..... | 4 To 8 ohm |
| Power Source | DC 12V, Negative ground. |
| Frequency Range | FM 65.0 – 74.0MHz (FM 87.5 – 108.0MHz) |
| | MW 530-1710 kHz |
| Sensitivity..... | FM 3 μ V (S/N=30dB) |
| | MW 32 dB μ (S/N=20 dB) |

Specifications are subject to change without notice.