

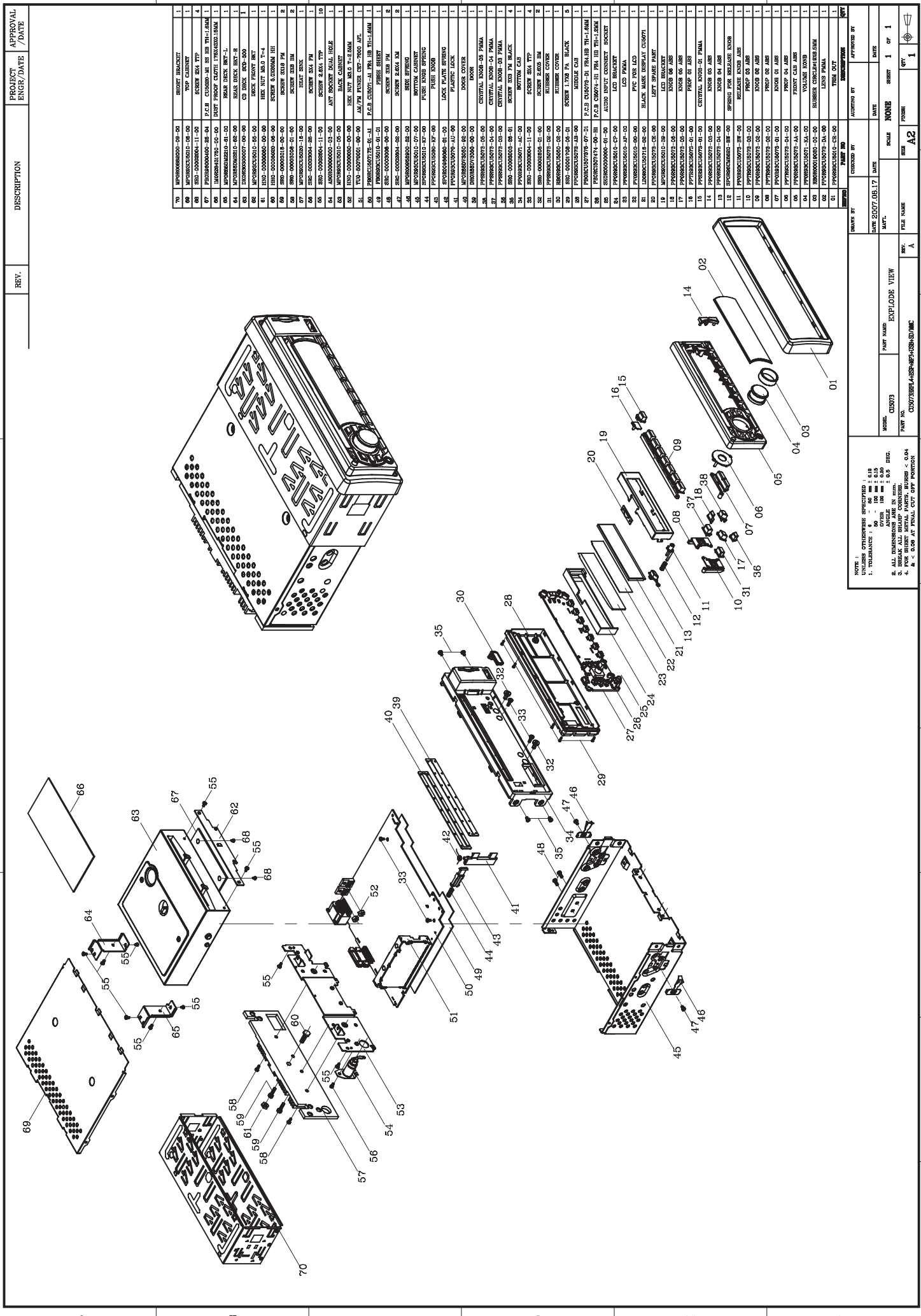


AKAI

**CD/MP3/WMA/
USB/MMC/SD-RECIVER**

Model:
ACR-220MMU

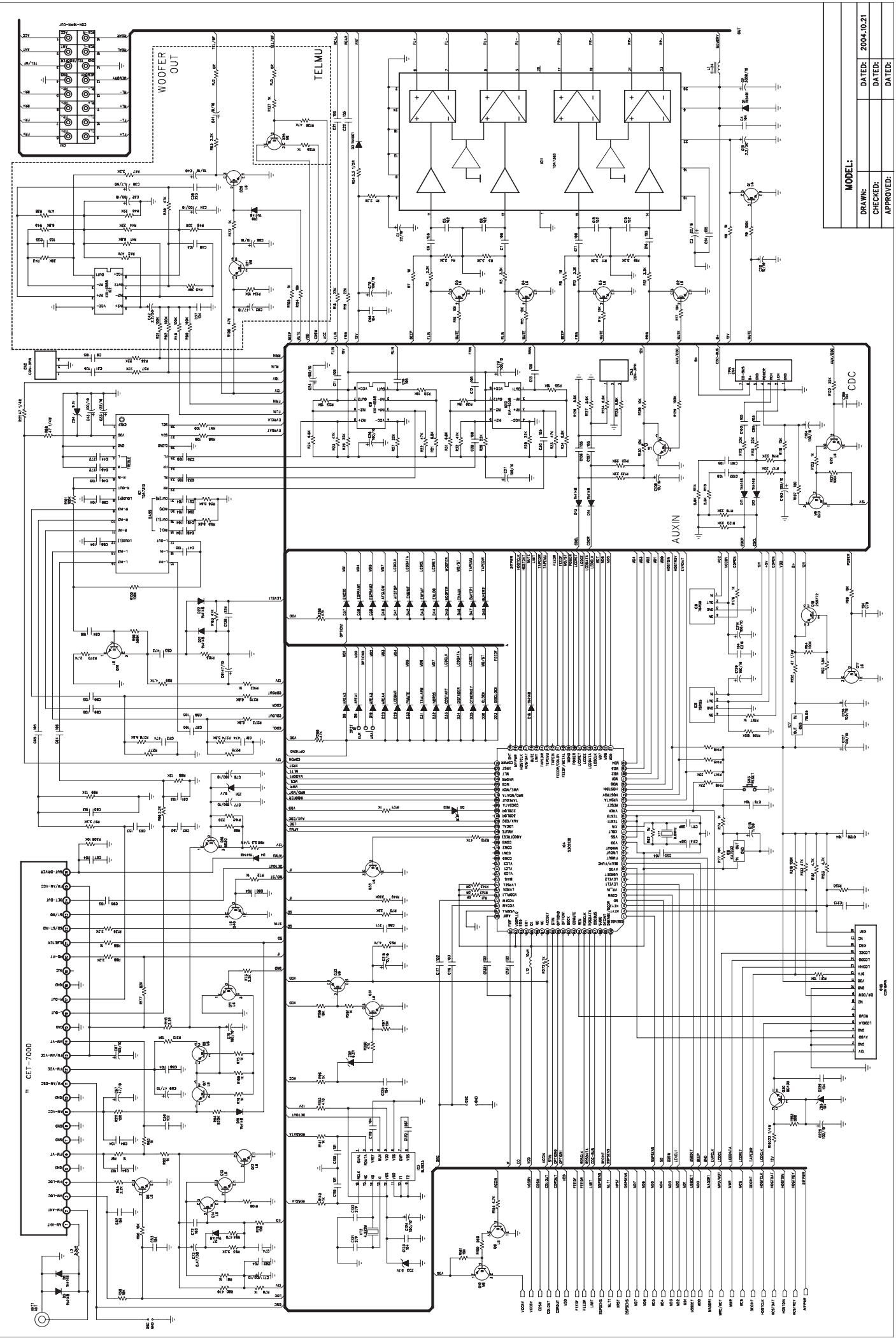
SERVICE MANUAL



REV.	DESCRIPTION	PROJECT ENGR./DATE	APPROVAL /DATE
70	ENCLOSURE 28-00	ENGR. BLAGST	
69	FRONT PANEL 28-00	ENGR. BLAGST	
68	BACK PANEL 28-00	ENGR. BLAGST	
67	FRONT PANEL 28-00	ENGR. BLAGST	
66	FRONT PANEL 28-00	ENGR. BLAGST	
65	FRONT PANEL 28-00	ENGR. BLAGST	
64	FRONT PANEL 28-00	ENGR. BLAGST	
63	FRONT PANEL 28-00	ENGR. BLAGST	
62	FRONT PANEL 28-00	ENGR. BLAGST	
61	FRONT PANEL 28-00	ENGR. BLAGST	
60	FRONT PANEL 28-00	ENGR. BLAGST	
59	FRONT PANEL 28-00	ENGR. BLAGST	
58	FRONT PANEL 28-00	ENGR. BLAGST	
57	FRONT PANEL 28-00	ENGR. BLAGST	
56	FRONT PANEL 28-00	ENGR. BLAGST	
55	FRONT PANEL 28-00	ENGR. BLAGST	
54	FRONT PANEL 28-00	ENGR. BLAGST	
53	FRONT PANEL 28-00	ENGR. BLAGST	
52	FRONT PANEL 28-00	ENGR. BLAGST	
51	FRONT PANEL 28-00	ENGR. BLAGST	
50	FRONT PANEL 28-00	ENGR. BLAGST	
49	FRONT PANEL 28-00	ENGR. BLAGST	
48	FRONT PANEL 28-00	ENGR. BLAGST	
47	FRONT PANEL 28-00	ENGR. BLAGST	
46	FRONT PANEL 28-00	ENGR. BLAGST	
45	FRONT PANEL 28-00	ENGR. BLAGST	
44	FRONT PANEL 28-00	ENGR. BLAGST	
43	FRONT PANEL 28-00	ENGR. BLAGST	
42	FRONT PANEL 28-00	ENGR. BLAGST	
41	FRONT PANEL 28-00	ENGR. BLAGST	
40	FRONT PANEL 28-00	ENGR. BLAGST	
39	FRONT PANEL 28-00	ENGR. BLAGST	
38	FRONT PANEL 28-00	ENGR. BLAGST	
37	FRONT PANEL 28-00	ENGR. BLAGST	
36	FRONT PANEL 28-00	ENGR. BLAGST	
35	FRONT PANEL 28-00	ENGR. BLAGST	
34	FRONT PANEL 28-00	ENGR. BLAGST	
33	FRONT PANEL 28-00	ENGR. BLAGST	
32	FRONT PANEL 28-00	ENGR. BLAGST	
31	FRONT PANEL 28-00	ENGR. BLAGST	
30	FRONT PANEL 28-00	ENGR. BLAGST	
29	FRONT PANEL 28-00	ENGR. BLAGST	
28	FRONT PANEL 28-00	ENGR. BLAGST	
27	FRONT PANEL 28-00	ENGR. BLAGST	
26	FRONT PANEL 28-00	ENGR. BLAGST	
25	FRONT PANEL 28-00	ENGR. BLAGST	
24	FRONT PANEL 28-00	ENGR. BLAGST	
23	FRONT PANEL 28-00	ENGR. BLAGST	
22	FRONT PANEL 28-00	ENGR. BLAGST	
21	FRONT PANEL 28-00	ENGR. BLAGST	
20	FRONT PANEL 28-00	ENGR. BLAGST	
19	FRONT PANEL 28-00	ENGR. BLAGST	
18	FRONT PANEL 28-00	ENGR. BLAGST	
17	FRONT PANEL 28-00	ENGR. BLAGST	
16	FRONT PANEL 28-00	ENGR. BLAGST	
15	FRONT PANEL 28-00	ENGR. BLAGST	
14	FRONT PANEL 28-00	ENGR. BLAGST	
13	FRONT PANEL 28-00	ENGR. BLAGST	
12	FRONT PANEL 28-00	ENGR. BLAGST	
11	FRONT PANEL 28-00	ENGR. BLAGST	
10	FRONT PANEL 28-00	ENGR. BLAGST	
09	FRONT PANEL 28-00	ENGR. BLAGST	
08	FRONT PANEL 28-00	ENGR. BLAGST	
07	FRONT PANEL 28-00	ENGR. BLAGST	
06	FRONT PANEL 28-00	ENGR. BLAGST	
05	FRONT PANEL 28-00	ENGR. BLAGST	
04	FRONT PANEL 28-00	ENGR. BLAGST	
03	FRONT PANEL 28-00	ENGR. BLAGST	
02	FRONT PANEL 28-00	ENGR. BLAGST	
01	FRONT PANEL 28-00	ENGR. BLAGST	

DATE: 2007.08.17	DATE:	SCALE: NONE	SHEET: 1 of 1
REV.:	REV.:	SIZE: A2	REV.:
FILE NAME: C:\WORK\AREA\SSA\SSA.DWG	FILE NAME:	REV.:	REV.:
DATE: 2007.08.17	DATE:	SCALE: NONE	SHEET: 1 of 1
REV.:	REV.:	SIZE: A2	REV.:
FILE NAME: C:\WORK\AREA\SSA\SSA.DWG	FILE NAME:	REV.:	REV.:

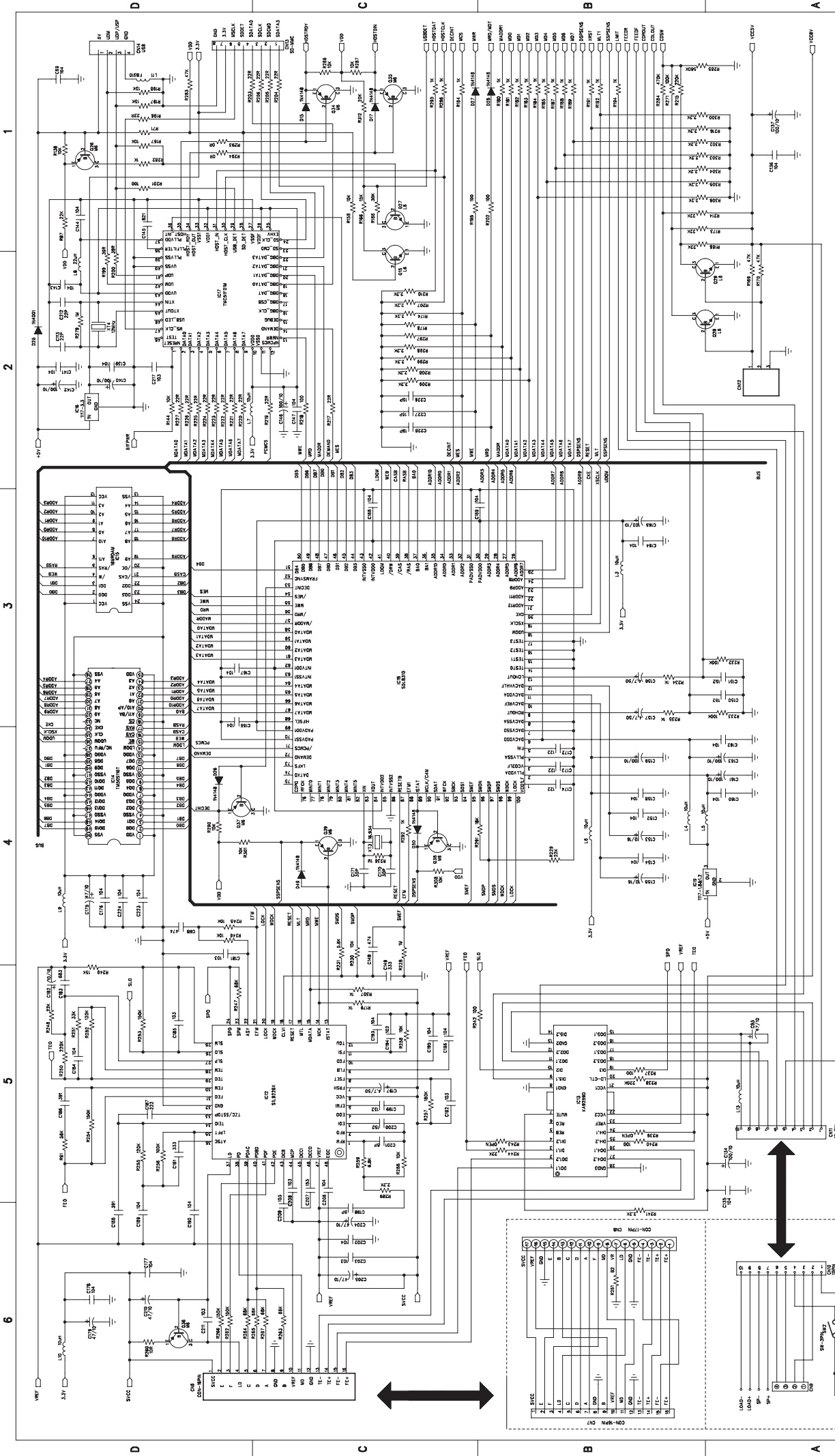
NOTES:
 1. UNLESS OTHERWISE SPECIFIED:
 1. TOLERANCE: ± 0.10 mm ± 0.004 in
 2. DIMENSIONS ARE IN mm ± 0.05 in
 3. BREAK ALL SHARP CORNERS: R0.5 ± 0.04 in
 4. ALL DIMENSIONS ARE AT FINAL CUT POINT



MODEL:	
DRAWN:	DATED: 2004.10.21
CHECKED:	DATED:
APPROVED:	DATED:

1	2	3	4	5	6	7	8	9	10	11	12	13	14	15	16	17	18	19	20	21	22	23	24	25	26	27	28	29	30	31	32	33	34	35	36	37	38	39	40	41	42	43	44	45	46	47	48	49	50	51	52	53	54	55	56	57	58	59	60	61	62	63	64	65	66	67	68	69	70	71	72	73	74	75	76	77	78	79	80	81	82	83	84	85	86	87	88	89	90	91	92	93	94	95	96	97	98	99	100
---	---	---	---	---	---	---	---	---	----	----	----	----	----	----	----	----	----	----	----	----	----	----	----	----	----	----	----	----	----	----	----	----	----	----	----	----	----	----	----	----	----	----	----	----	----	----	----	----	----	----	----	----	----	----	----	----	----	----	----	----	----	----	----	----	----	----	----	----	----	----	----	----	----	----	----	----	----	----	----	----	----	----	----	----	----	----	----	----	----	----	----	----	----	----	----	----	----	----	-----

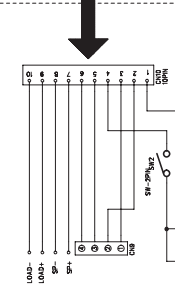
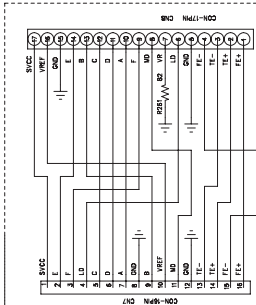
MODEL:		
DRAWN:	DATED:	2004.10.21
CHECKED:	DATED:	
APPROVED:	DATED:	



1 2 3 4 5 6

A B C D

A B C D



Part Code	Name/Description	Unit	Qty	Location
CC0R10215540-00-00	CHIP CAP 0603 102P NPO 50V +/-5%	PCS	6.00	C54.56.117.131.132.194
CC0R10310540-00-00	CHIP CAP 0603 103P 50V X7R +/-10%	PCS	10.00	C72.116.181.185.211.209.203.60.61.217
CC0R10410540-00-00	CHIP CAP 0603 104P 25V X7R +/-10%	PCS	54.00	C94.58.67.53.82.80.136.128.76.55.184.189.190.177.206.178.195
CC0R10510540-00-00	CHIP CAP 0603 1UF X7R 16V +/-10%	PCS	26.00	C10-13.84.47.30.23.28.25.64.65.87-90.46.6.7.16.17.21.22.14(C
CC0R10650110-00-00	TANTALUM CAP 1206 (SIEZE A) 10UF 10V +/-20%	PCS	1.00	RJ1
CC0R12010540-00-00	CHIP CAP 0603 12P NPO 50V +/-5%	PCS	1.00	C77
CC0R12210540-00-00	CHIP CAP 0603 122P X7R 50V +/-10%	PCS	3.00	C172.173.174
CC0R15210540-00-00	CHIP CAP 0603 152P 50V X7R +/-10%	PCS	4.00	C151.150.199.C208
CC0R15310540-00-00	CHIP CAP 0603 153P 50V X7R +/-10%	PCS	3.00	C63.62.207
CC0R22015540-00-00	CHIP CAP 0603 22P NPO 50V +/-5%	PCS	2.00	C212.113
CC0R22210540-00-00	CHIP CAP 0603 222P 50V X7R +/-10%	PCS	1.00	C187
CC0R22310540-00-00	CHIP CAP 0603 223P X7R 50V +/-10%	PCS	0.00	(C36.C35.C38 WOOF0)
CC0R22410540-00-00	CHIP CAP 0603 224P 50V X7R +/-10%	PCS	1.00	C138
CC0R27210540-00-00	CHIP CAP 0603 272P X7R 50V +/-10%	PCS	2.00	C44.45
CC0R30010540-00-00	CHIP CAP 0603 30P NPO 50V +/-5%	PCS	3.00	C114.170.171
CC0R30810540-00-00	CHIP CAP 0603 3P NPO 50V +/-5%	PCS	1.00	C201
CC0R33310540-00-00	CHIP CAP 0603 333P 25V X7R +/-10%	PCS	2.00	C191.149
CC0R39010540-00-00	CHIP CAP 0603 39P NPO 50V +/-5%	PCS	1.00	C111
CC0R39115540-00-00	CHIP CAP 0603 391P NPO 50V +/-5%	PCS	1.00	C188
CC0R47110540-00-00	CHIP CAP 0603 471P NPO 50V +/-5%	PCS	4.00	C5.8.15.18
CC0R47310540-00-00	CHIP CAP 0603 473P X7R 25V +/-10%	PCS	1.00	C83
CC0R47410540-00-00	CHIP CAP 0603 474P 25V X7R +/-10%	PCS	4.00	C68.112.81.148
CC0R50810540-00-00	CHIP CAP 0603 5P NPO 50V +/-5%	PCS	1.00	C198
CC0R56110540-00-00	CHIP CAP 0603 561P X7R 50V +/-10%	PCS	2.00	C95.109
CC0R68210540-00-00	CHIP CAP 0603 682P X7R 50V +/-10%	PCS	1.00	C200
CC0R68310540-00-00	CHIP CAP 0603 683P 25V X7R +/-10%	PCS	1.00	C183

Part Code	Name/Description	Unit	Qty	Location
CC0R82115540-00-00	CHIP CAP 0603 821P NPO 50V +/-5%	PCS	1.00	C145
CF0R11200301-01-00	CRYSTAL 12.0MHZ/20PF/30PPM 2LEG 49S	PCS	1.00	XT4
CF0R11693401-00-01	X-TAL 16.9344MHZ 2LEG (FG)	PCS	1.00	XT3
CF0R19000300-00-00	CRYSTAL 49-S 9.0MHZ 2LEG 20PF	PCS	1.00	XT1
CH0R01248001-01-00	CHIP INDUCTOR COIL (0805) 2.4UH +/-10%	PCS	1.00	L14
CH0R01338001-00-00	CHIP INDUCTOR COLL 321611(1206) 3.3UH +/-10%	PCS	1.00	L2
CH0R04310000-00-00	CHIP FERRITE BEED 1206 FB-310	PCS	1.00	L11
CH0R09100000-00-00	CHIP INDUCTANCE 1206 10UH+/-10%	PCS	8.00	L3-7.9.10.13
CH0R09100000-01-00	CHIP INDUCTANCE 0805 10UH+/-10%	PCS	1.00	L12
CH0R09220000-00-00	CHIP INDUCTANCE 1206 22UH +/-10%	PCS	1.00	L8
CR0R00050410-00-00	CHIP RESISTOR 0603 0 OHM 1/10W 50V +/-5%	PCS	6.00	R142.143.293.294(R53.RJ2 WOOF0 ;R313.314
CR0R00051210-00-00	CHIP RESISTOR 0805 0 1/8W 100V +/-5%	PCS	2.00	(0 CU5010-U2"LMN 2PCS)
CR0R00051510-00-00	CHIP RESISTOR 1206 0 OHM 1/4W 200V +/-5%	PCS	2.00	(D13.14 AUX0)
CR0R10050410-00-00	CHIP RESISTOR 0603 10 OHM 1/10W 50V +/-5%	PCS	3.00	R212.211.260
CR0R10051000-00-00	RESISTOR 10 OHM 1/4W +/-5%	PCS	1.00	R155
CR0R10150410-00-00	CHIP RESISTOR 0603 100 OHM 1/10W 50V +/-5%	PCS	7.00	R78.57.58.202.195.201.218
CR0R10151000-00-00	RESISTOR 100 OHM 1/4W +/-5%	PCS	2.00	R88.111
CR0R10250410-00-00	CHIP RESISTOR 0603 1K OHM 1/10W 50V +/-5%	PCS	37.00	R61.82.63.75.109.76.86.72.102.292.7 4.234.235.281.191.192.180
CR0R10350410-00-00	CHIP RESISTOR 0603 10K OHM 1/10W 50V +/-5%	PCS	27.00	R60.309.230.258.245.246.301.161.31 1.77.14-17.289.156.95.286.
CR0R10450410-00-00	CHIP RESISTOR 0603 100K OHM 1/10W 50V +/-5%	PCS	13.00	R271.310.9.100.101.232.233.94.159.2 55.134.71.253(R49.50.51.5
CR0R10550410-00-00	CHIP RESISTOR 0603 1M OHM 1/10W 50V +/-5%	PCS	7.00	R228.62.8.7.6.236.279
CR0R12250410-00-00	CHIP RESISTOR 0603 1K2 OHM 1/10W 50V +/-5%	PCS	4.00	R240.242.244.237
CR0R12350410-00-00	CHIP RESISTOR 0603 12K OHM 1/10W 50V +/-5%	PCS	2.00	R68.69
CR0R12450410-00-00	CHIP RESISTOR 0603 120K OHM 1/10W 50V +/-5%	PCS	2.00	R250.R254
CR0R15250410-00-00	CHIP RESISTOR 0603 1K5 OHM 1/10W 50V +/-5%	PCS	1.00	R92
CR0R15350410-00-00	CHIP RESISTOR 0603 15K OHM 1/10W 50V +/-5%	PCS	6.00	R197.198.166.R126.R127.R249(R126. 127

Part Code	Name/Description	Unit	Qty	Location
CR0R18350410-00-00	CHIP RESISTOR 0603 18K OHM 1/10W 50V +/-5%	PCS	5.00	R30.25.35.291.20
CR0R20350410-00-00	CHIP RESISTOR 0603 20K OHM 1/10W 50V +/-5%	PCS	1.00	R312
CR0R22050410-00-00	CHIP RESISTOR 0603 22 OHM 1/10W 50V +/-5%	PCS	15.00	R203-206.196.217.219.220-227
CR0R22051000-00-00	RESISTOR 22 OHM 1/4W +/-5%	PCS	1.00	R190
CR0R22250410-00-00	CHIP RESISTOR 0603 2K2 OHM 1/10W 50V +/-5%	PCS	23.00	R65.66.67.73.85.139.1.241.216.300.302-306.208.209.299.174.29
CR0R22350410-00-00	CHIP RESISTOR 0603 22K OHM 1/10W 50V +/-5%	PCS	18.00	R168.214.173.27.26.29.28.18.19.229.147.148.87.(R2616789 9
CR0R22450410-00-00	CHIP RESISTOR 0603 220K OHM 1/10W 50V +/-5%	PCS	4.00	R215.238.252.138
CR0R22850410-00-00	CHIP RESISTOR 0603 2.2 OHM 1/10W 50V +/-5%	PCS	1.00	R110
CR0R27250410-00-00	CHIP RESISTOR 0603 2K7 OHM 1/10W 50V +/-5%	PCS	1.00	R270
CR0R27450410-00-00	CHIP RESISTOR 0603 270K OHM 1/10W 50V +/-5%	PCS	2.00	R262.R266
CR0R30350410-00-00	CHIP RESISTOR 0603 30K OHM 1/10W 50V +/-5%	PCS	2.00	R186.251
CR0R33150410-00-00	CHIP RESISTOR 0603 331 OHM 1/10W 50V +/-5%	PCS	0.00	1(R48 WOOF0)
CR0R33250410-00-00	CHIP RESISTOR 0603 3K3 OHM 1/10W 50V +/-5%	PCS	2.00	R179.R307
CR0R33450410-00-00	CHIP RESISTOR 0603 330K OHM 1/10W 50V +/-5%	PCS	1.00	R149
CR0R33851000-00-00	RESISTOR 3.3 OHM 1/4W +/-5%	PCS	1.00	R90
CR0R33852000-00-00	RESISTOR 3.3 OHM 1/2W +/-5%	PCS	1.00	R54
CR0R39050410-00-00	CHIP RESISTOR 0603 39 OHM 1/10W 50V +/-5%	PCS	2.00	R199.200
CR0R39350410-00-00	CHIP RESISTOR 0603 39K OHM 1/10W 50V +/-5%	PCS	1.00	R91(R40.43 WOOF0)
CR0R47150410-00-00	CHIP RESISTOR 0603 471 OHM 1/10W 50V +/-5%	PCS	4.00	R84.89.162.79
CR0R47250410-00-00	CHIP RESISTOR 0603 4K7 OHM 1/10W 50V +/-5%	PCS	7.00	R99.93.272.154.153.151.280
CR0R47350410-00-00	CHIP RESISTOR 0603 47K OHM 1/10W 50V +/-5%	PCS	14.00	R213.163.170.169.133.268.269.23.22.32.33.283.248.256(R38.42.
CR0R47450410-00-00	CHIP RESISTOR 0603 470K OHM 1/10W 50V +/-5%	PCS	1.00	R284
CR0R47550410-00-00	CHIP RESESTOR 0603 4M7 OHM 1/10W 50V +/-5%	PCS	1.00	R106
CR0R56150410-00-00	CHIP RESISTOR 0603 561 OHM 1/10W 50V +/-5%	PCS	1.00	R160
CR0R56250410-00-00	CHIP RESISTOR 0603 5K6 OHM 1/10W 50V +/-5%	PCS	7.00	R231.55.56.288.259(R124.125 AUX0)
CR0R56450410-00-00	CHIP RESESTOR 0603 560K OHM 1/10W 50V +/-5%	PCS	2.00	R98.285

Part Code	Name/Description	Unit	Qty	Location
CR0R68150410-00-00	CHIP RESISTOR 0603 681 OHM 1/10W 50V +/-5%	PCS	1.00	R193
CR0R68250410-00-00	CHIP RESISTOR 0603 6K8 OHM 1/10W 50V +/-5%	PCS	7.00	R21.31.24.34.97.273.276(R41.45 WOOFO)
CR0R68350410-00-00	CHIP RESISTOR 0603 68K OHM 1/10W 50V +/-5%	PCS	4.00	R263.264.265.267
CR0R82250410-00-00	CHIP RESISTOR 0603 8K2 OHM 1/10W 50V +/-5%	PCS	4.00	R4.5.10.11
CR0R82350410-00-00	CHIP RESISTOR 0603 82K OHM 1/10W 50V +/-5%	PCS	3.00	R177.70.R247
CR0R82450410-00-00	CHIP RESESTOR 0603 820K OHM 1/10W 50V +/-5%	PCS	1.00	R64
DI0R14007020-00-00	RECTIFIER SILICON FOR 1N4007	PCS	3.00	D25.D2.D51
DI0R24148080-00-00	SIGNAL DIODE 1N4148 (1206) SMD (LL34)	PCS	29.00	D4.5.6.7.15.16.17.18.21.22.26.27.28.29.48.49.50.37.42.33.43.
DI0R30602081-00-00	CHIP ZENER SILICON 1206 6V2 1/2W SMD +/-2%	PCS	1.00	ZD2
DI0R30901080-00-00	ZENER SILICON 9V1 1/2W (1206) SMD +/-2%	PCS	2.00	ZD1.4
DI0R31005080-00-00	ZENER SILICON 10V 1206 1/2W SMD +/-2%	PCS	1.00	ZD5
EC0R10509051-01-00	1UF 50V +/-10% -40+105V (4X7MM) I=0.004CV OR 0.4(PCS	1.00	C115(C39 WOOFO)
EC0R10609031-01-00	10UF 25V +/-10% -40+105V 4X7MM I=0.004CV or 0.4(PCS	5.00	C153.155.20.182.215(C40.41.98WOOFO)
EC0R10704020-01-00	100UF 16V +/-20% -40+105V (5X11MM) I=0.004CV or 0.	PCS	3.00	C70.126.129
EC0R10709011-01-00	100UF 10V +/-20% -40+105V (5X7MM) I=0.004CV or 0.	PCS	19.00	C142.140.146.161.163.165.159.214.134.225.43.26.29.24.27.71.7
EC0R22509051-01-00	2.2UF 50V +/-10% -40+105V 4X7MM I=0.004CV or 0.4	PCS	0.00	(C42 WOOFO)
EC0R22604031-00-00	22UF 25V +/-20% -40+105V 4X7MM I=0.004CV or 0.4	PCS	3.00	C33.1.3
EC0R22704009-00-00	220UF 6.3V +/-10% 6X5MM -40+105V	PCS	2.00	C179.204
EC0R22704010-01-00	220UF 10V +/-20% -40+105V 6X12MM	PCS	1.00	C78
EC0R33809020-01-00	3300UF 16V +/-20% -40+105V (13X22MM) I=0.004CV or	PCS	1.00	C2
EC0R47409051-01-00	0.47UF 50V +/-10% -40+105V 4X7MM I=0.004CV or 0.	PCS	1.00	C73
EC0R47509051-01-00	4U7 50V +/-10% 40+105V 4X7MM I=0.004CV or 0.4(u	PCS	4.00	C157.156.197.19
EC0R47604011-01-00	47UF 10V +/-20% 4X7MM -40+105V	PCS	8.00	C175.93.205.59.57.210.91.97
FS0R01000050-00-01	FUSE VALUE 0.5A (6X30)MM	PCS	1.00	
IC0R11117000-00-00	IC AMS1117-3.3 SOT-223 3PIN	PCS	1.00	IC16
IC0R11117000-00-03	IC AMS1117-1.2V SOT-223 3PIN	PCS	1.00	IC19

Part Code	Name/Description	Unit	Qty	Location
IC0R17805500-00-00	IC 78L05J TO-92 3PIN	PCS	1.00	IC7
IC0R17805802-00-00	IC KA78R05 TO220F-4L 4PIN 1A	PCS	1.00	IC6
IC0R17808802-00-00	IC KA78R08 TO220F-4L 4PIN	PCS	1.00	IC8
IC0R30831703-02-00	AUTO__831UR 100PIN QFP(CPU) YELLEOW (CD+ESP+MP3+RDS+USB/FLASH)	PCS	1.00	IC4
IC0R34001000-00-00	IC IP4001D SOP-28	PCS	1.00	IC13
IC0R34558300-00-00	IC YM4558M SO-8PIN	PCS	2.00	IC9.10(IC2 WOOF0)
IC0R35101700-00-00	IC TMC51F01M TQFP48	PCS	1.00	IC17
IC0R37032500-00-00	IC RESET KIA-7032P TO-92	PCS	1.00	IC5
IC0R37313300-00-00	IC TDA7313D SOP 28PIN	PCS	1.00	IC1
IC0R37388800-00-00	IC TDA7388 FIEXIWATTIS 25PIN	PCS	1.00	IC11
IC0R38310300-00-00	IC S5L8310X 100-TQFP-1414	PCS	1.00	IC18
IC0R91922700-00-00	IC S1L9226 TQFP48	PCS	1.00	IC12
IC0R95716300-00-00	IC SDRAM UT57L1616MC,16M,TSOP 50PIN	PCS	1.00	IC14
LE0R12035420-00-00	LED ROUND 3MM (RED) LEG.L=30MM	PCS	1.00	D3
PB0-CU501075-00-U1	P.C.B CU5010-U1 51.5X39 SS HB TH=1.6MM USB	PCS	0.00	1 tu0
PB0-CU501075-00-U2	P.C.B CU5010-U2 52.0X39.4 SS HB TH=1.6MM USB (MMC)	PCS	1.00	
PB0-CU501075-00-U3	P.C.B CU5010-U3 52.0X39.4 SS HB TH=1.6MM USB (MMC)	PCS	0.00	1 tu0
PB0RCU507175-01-A1	P.C.B CU5071-A1 172+10X159.60MM FR4 HB TH=1.6MM	PCS	1.00	
SK0R02030010-00-00	D TYPE CONNECTOR MALE 3P NONE WIRE PH=2.54MM	PCS	1.00	CN12
SK0R02100020-00-02	D TYPE CONNECTOR MALE 10P NONE WIRE PH=2.0MM	PCS	1.00	CN11
SK0R06080000-00-00	CONNECTOR 8P PH=2.54MM 90! 7.17X3.6MM	PCS	1.00	CN13
SK0R14180000-00-04	18PIN CONNECTOR FEMALE 2.5mm z	PCS	1.00	CN5
SK0R15161110-00-00	CONNECT SOCKET 1.0-11S-16PW PH=1.0MM	PCS	1.00	CN6
SK0R28000000-00-00	USB SOCKET SERIES USB	PCS	1.00	CN14
SK0R29412000-00-00	MMC SOCKET 412D06-09PCSA13 MMC (CU5010-U2)	PCS	1.00	
SW0R10040501-01-00	TACT SWITCH 4P L=5MM	PCS	1.00	SW3

Part Code	Name/Description	Unit	Qty	Location
SW0R50020200-00-00	DIP SWITCH DC 6P	PCS	0.00	1 SW
TR0R10435000-00-00	TRANSISTOR BD435 NPN TO-126ML	PCS	1.00	Q30
TR0R18050002-00-00	TRANSISTOR C8050C NPN TO-92	PCS	1.00	Q16
TR0R20772000-00-00	TRANSISTOR KSB772-Y PNP TO-126ML	PCS	1.00	Q18
TR0R61015806-00-00	CHIP TRANSISTOR HMBT1015 SOT-23 PNP (M6)	PCS	11.00	Q9.36.39.37.38.10.32.35.34.26.42(Q2 5
TR0R61815824-00-00	CHIP TRANSISTOR HMBT1815 SOT-23 NPN (L6)	PCS	17.00	Q6.12.13.14.7.11.33.40.29.28.8.19.1.3 1.17.15.27(Q20.21.41
TR0R68050002-00-00	CHIP TRANSISTOR ZX8050 SOT-23 NPN	PCS	4.00	Q2-5
TU0R50070200-00-00	AM/FM TUNER OIRT 7020 (OIRT VERSION) AM/FM647 (FM64-108MHZ)	PCS	1.00	
		89	:	138

1

2

3

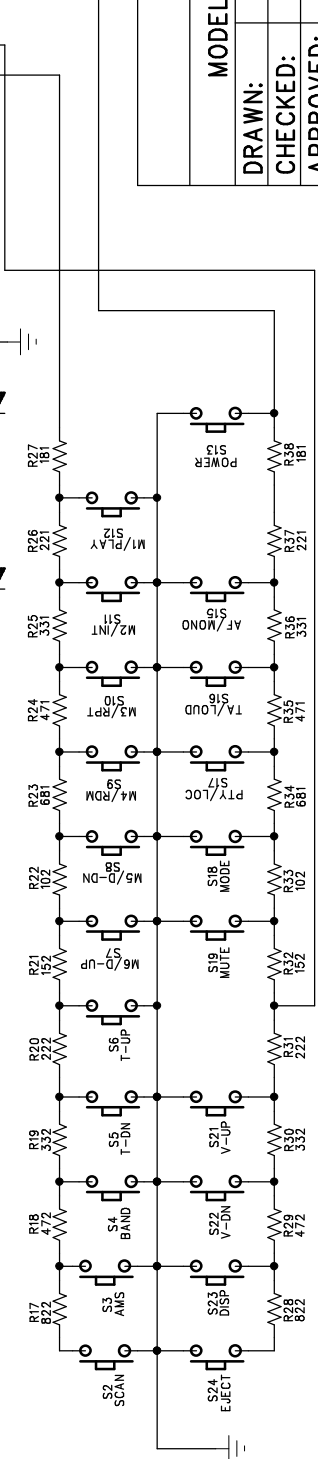
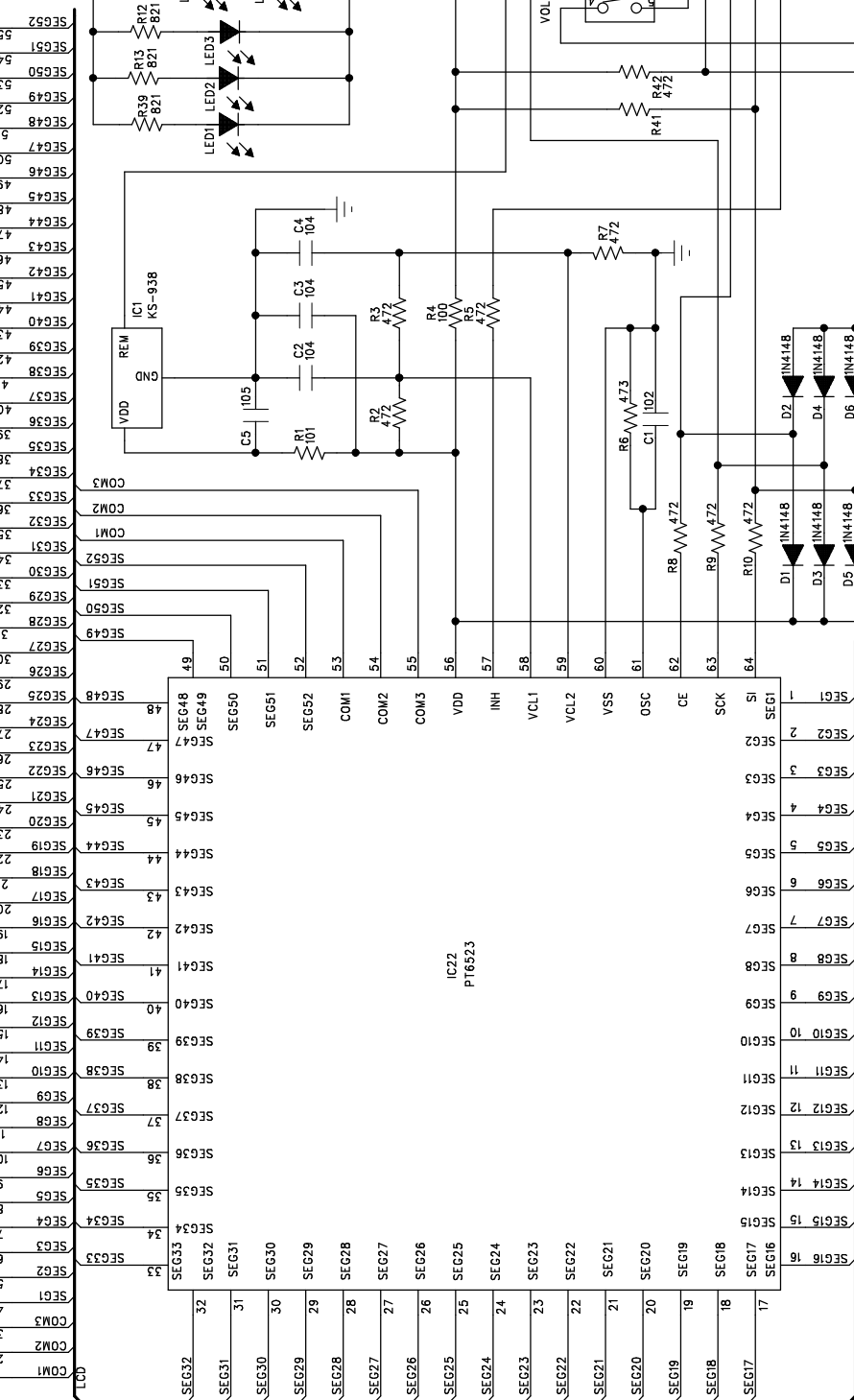
4

5

6

LCD1
CU5020

COM1	SEG01	SEG02	SEG03	SEG04	SEG05	SEG06	SEG07	SEG08	SEG09	SEG10	SEG11	SEG12	SEG13	SEG14	SEG15	SEG16	SEG17	SEG18	SEG19	SEG20	SEG21	SEG22	SEG23	SEG24	SEG25	SEG26	SEG27	SEG28	SEG29	SEG30	SEG31	SEG32	SEG33	COM3	SEG34	SEG35	SEG36	SEG37	SEG38	SEG39	SEG40	SEG41	SEG42	SEG43	SEG44	SEG45	SEG46	SEG47	SEG48	SEG49	SEG50	SEG51	SEG52
------	-------	-------	-------	-------	-------	-------	-------	-------	-------	-------	-------	-------	-------	-------	-------	-------	-------	-------	-------	-------	-------	-------	-------	-------	-------	-------	-------	-------	-------	-------	-------	-------	-------	------	-------	-------	-------	-------	-------	-------	-------	-------	-------	-------	-------	-------	-------	-------	-------	-------	-------	-------	-------



MODEL: CU5073-D1-V0

DRAWN:	DATED: 2007-8-08
CHECKED:	DATED:
APPROVED:	DATED:

D

C

B

A

D

C

B

A

Part Code	Name/Description	Unit	Qty	Location
CR0R00051210-00-00	CHIP RESISTOR 0805 0 1/8W 100V +/-5%	PCS	3.00	J1.2.3
CR0R22150000-00-00	RESISTOR 221 OHM 1/8W +/-5%	PCS	2.00	R3.4
CR0R82050000-00-00	RESISTOR 82 OHM 1/8W +/-5%	PCS	1.00	J4
DI0R80023000-00-00	DIODE-IR EMITTING 4X4MM ST-23G	PCS	2.00	D103.104
DK0R30300007-00-00	CD DECK SCD-300(A C20q 7)	PCS	1.00	
FC0R41609043-00-00	FLAT CABLE 16P L=90MM PH=1.0MM g 7D	PCS	1.00	
IM0-12010011-00-00		G	1.10	04" SMT:0.55G;05 SMT:0.55G
IM0-17000000-00-00	DEF SOLDERING WIRE D=1.0MM 1H	G	4.00	04" FC:2G;05 FC:2G
IM0R21120010-00-00	TAPE ADHESIVE 1/2 1/2IJCK	M	6.00	04" FC:3CM;05 FC:3CM
PB0R96000400-25-04	P.C.B AS-9600-04 44X91.5MM SS HB TH=1.2MM	PCS	1.00	
PB0R96000400-25-05	P.C.B AS-9600-05 74X35MM SS HB TH=1.2MM	PCS	1.00	
SK0R02040020-00-02	D TYPE CONNECTOR WAFER 4PIN PH=2.0MM	PCS	1.00	CON103
SK0R15170001-00-00	CONNECT SOCKET 17P PH=1.0MM	PCS	1.00	
SW0R10001110-00-00	SWITCH-TACT (CHECK S/W SW-111)	PCS	1.00	SW2
TB0R01010000-00-00	PVC TUBE D=1MM UWXC S	CM	16.00	04" FC:8CM;05 FC:8CM
		89	:	15

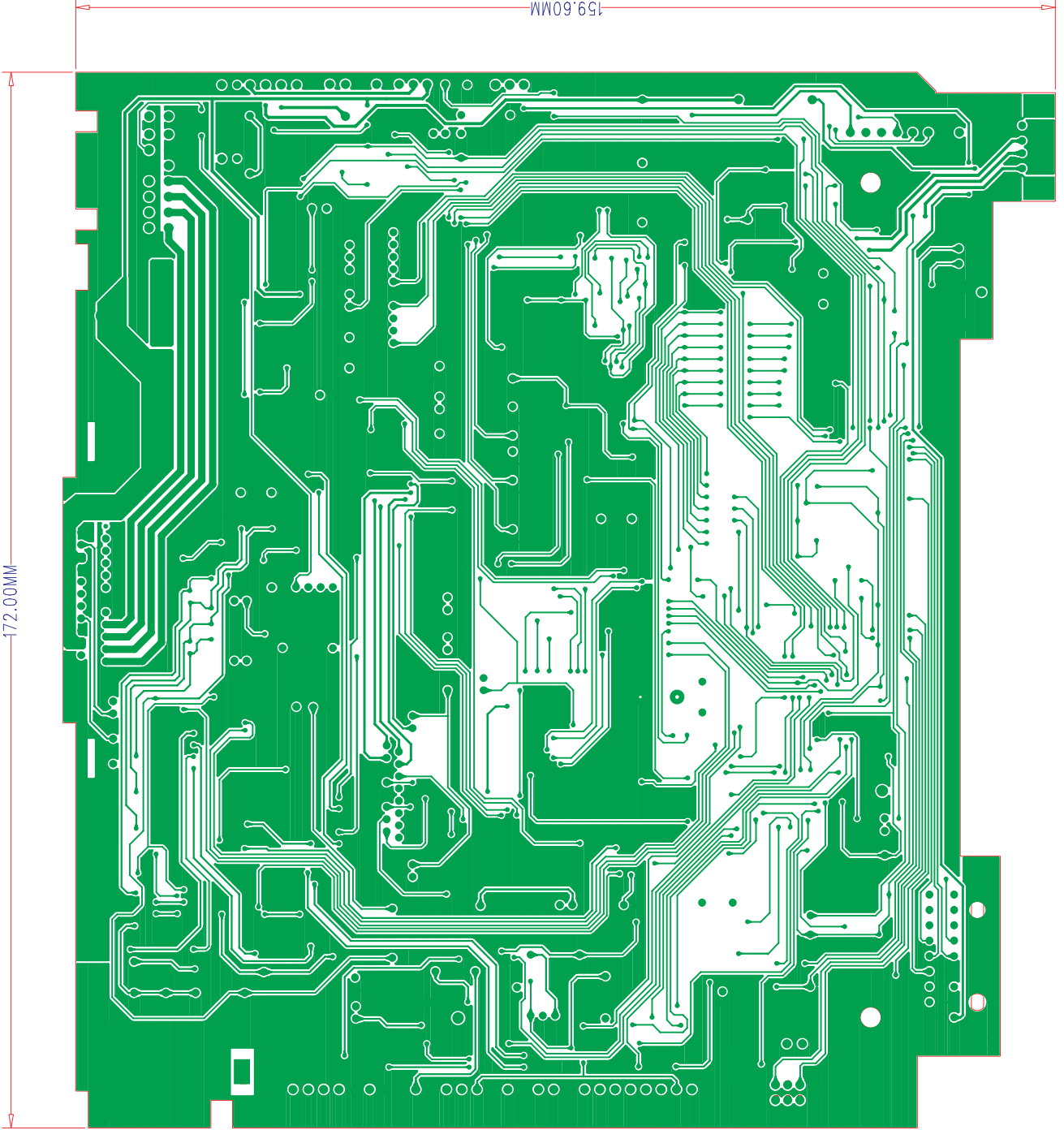
Part Code	Name/Description	Unit	Qty	Location
CC0R10115500-00-00	CHIP CAP 0805 Z =0.8MM 101P NPO 50V +/-5%	PCS	2.00	C6.C7
CC0R10215500-00-00	CHIP CAP 0805 Z =0.8MM 102P X7R 50V +/-10%	PCS	1.00	C1
CC0R10415500-00-00	CHIP CAP 0805 Z =1.25MM 104P X7R 50V +/-10%	PCS	3.00	C2.C3.C4
CC0R10510300-00-00	CHIP CAP 0805 Z =1.25MM 1UF X7R 25V +/-10%	PCS	0.00	C5(N YL0)
CR0R00051210-00-00	CHIP RESISTOR 0805 0 1/8W 100V +/-5%	PCS	2.00	RJ1.RJ2
CR0R10050210-00-00	CHIP RESISTOR 0805 10 1/8W 100V +/-5%	PCS	1.00	R4
CR0R10150210-00-00	CHIP RESISTOR 0805 101 OHM 1/8W 100V +/-5%	PCS	0.00	R1(N YL0)
CR0R10250210-00-00	CHIP RESISTOR 0805 1K OHM 1/8W 100V +/-5%	PCS	11.00	R11.R12.R13.R14.R15.R16.R22.R33. R52.R48.R54
CR0R15250210-00-00	CHIP RESISTOR 0805 1K5 OHM 1/8W 100V +/-5%	PCS	3.00	R21.R32.R43
CR0R18150210-00-00	CHIP RESISTOR 0805 181 OHM 1/8W 100V +/-5%	PCS	2.00	R27.R38
CR0R22150210-00-00	CHIP RESISTOR 0805 221 OHM 1/8W 100V +/- 5%	PCS	2.00	R26.R37
CR0R22250210-00-00	CHIP RESISTOR 0805 2K2 OHM 1/8W 100V +/-5%	PCS	4.00	R20.R31.R39.R42
CR0R33150210-00-00	CHIP RESISTOR 0805 331 OHM 1/8W 100V +/-5%	PCS	2.00	R24.R36
CR0R33250210-00-00	CHIP RESISTOR 0805 3K3 OHM 1/8W 100V +/-5%	PCS	2.00	R19.R30
CR0R47150210-00-00	CHIP RESISTOR 0805 471 OHM 1/8W 100V +/-5%	PCS	2.00	R25.R35
CR0R47250210-00-00	CHIP RESISTOR 0805 4K7 OHM 1/8W 100V +/-5%	PCS	9.00	R2.R3.R5.R7.R8.R9.R10.R18.R29
CR0R47350210-00-00	CHIP RESISTOR 0805 47K OHM 1/8W 100V +/-5%	PCS	2.00	R6.R44
CR0R68150210-00-00	CHIP RESISTOR 0805 681 OHM 1/8W 100V +/-5%	PCS	3.00	R23.R34.R53
CR0R82150210-00-00	CHIP RESISTOR 0805 821 OHM 1/8W 100V +/-5%	PCS	3.00	R49.R50.R51
CR0R82250210-00-00	CHIP RESISTOR 0805 8K2 OHM 1/8W 100V +/-5%	PCS	2.00	R17.R28
CR0R82350210-00-00	CHIP RESISTOR 0805 82K OHM 1/8W 100V +/-5%	PCS	1.00	R45
DI0R24148080-00-00	SIGNAL DIODE 1N4148 (1206) SMD (LL34)	PCS	6.00	D1.D2.D3.D4.D5.D6
IC0R36523701-00-00	IC PT6523 LQFP64 10X10mm	PCS	1.00	IC1
LD0R0CU50206-02-00	BLACK MASK DISPLAY CU5020 80X21MM 55PIN	PCS	1.00	
LE0R50080591-00-00	CHIP ULTRA (WHITE) LED 0805 (17-21/W1D-ANPHY/3T*)	PCS	3.00	LED1.LED2.LED3
LE0R56120680-00-00	CHIP LED (ORANGE) 0805 (HT-170D)	PCS	22.00	LD1.LD2.LD3.LD4.LD5.LD6.LD7.LD8. LD9.LD10 LD11.LD12.

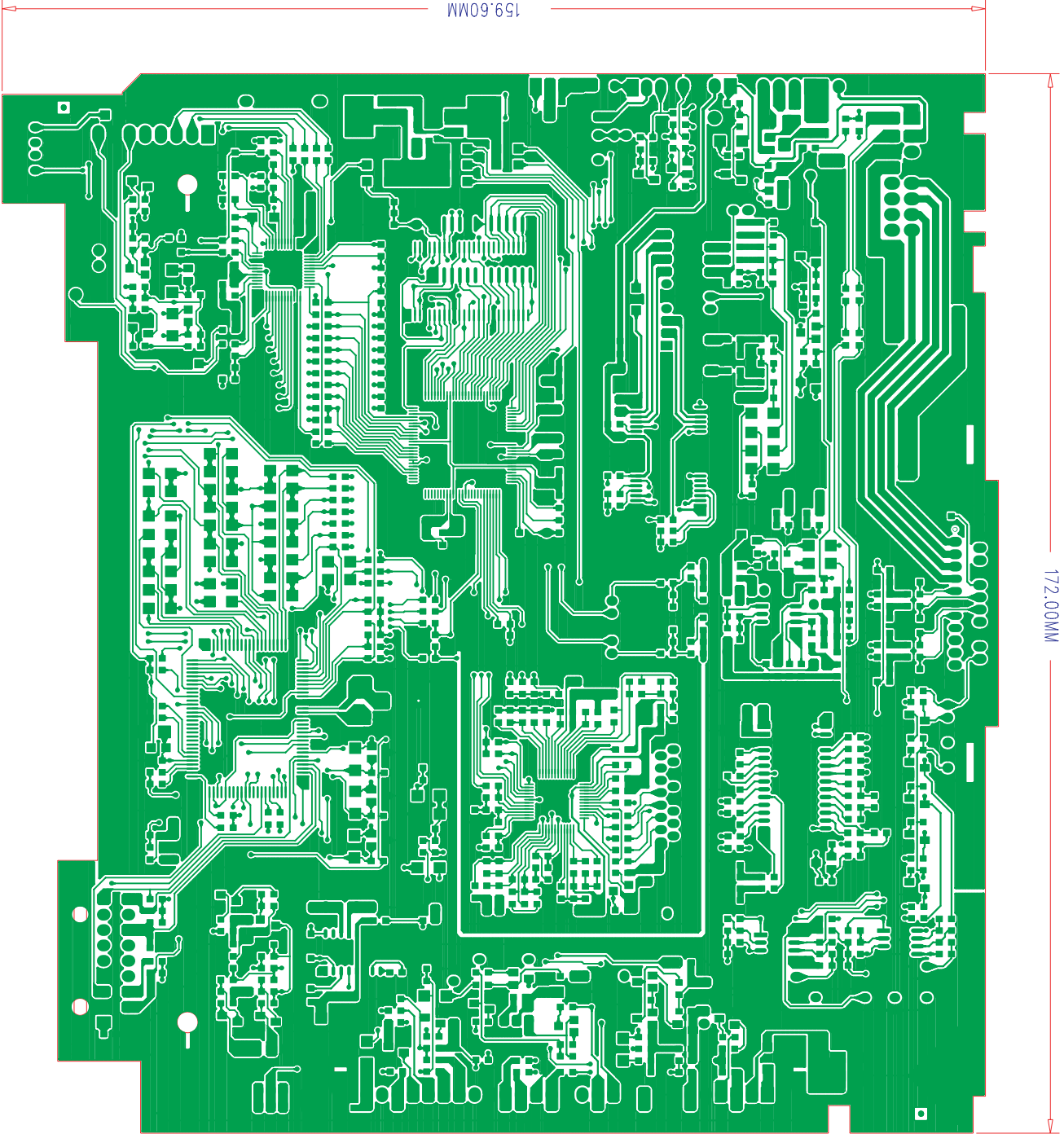
Part Code	Name/Description	Unit	Qty	Location
PB0RCI507474-00-H1	P.C.B CI5074-H1 14X11.6MM FR4 HB TH=1.2MM	PCS	1.00	
PB0RCU507375-07-D1	P.C.B CU5073-D1 143.8X41.5MM FR4.HB TH=1.6MM	PCS	1.00	
SK0R05000000-01-00	AUDIO INPUT CONNECT SOCKET	PCS	1.00	
SK0R13180000-00-04	18PIN CONNECTOR MALE HFS 2.5MM z B	PCS	1.00	
SW0R10020500-00-00	TACT SWITCH 2PIN 5MM	PCS	2.00	
SW0R10020501-00-00	TACT SWITCH 2PIN 5MM SMD	PCS	17.00	
VR0R80001150-00-00	ENCODER VOLUME L=11.5MM EC110201MRB-HAE-020	PCS	1.00	
ZE0R93CU5010-00-00	ZEBRA CONNECTOR PINK COLOR 76X8.3X2.0MM	PCS	1.00	
		89 :	34	

TH=1.6MM

172.00MM

159.60MM





159.60MM

172.00MM

TH=1.6MM

159.60MM

172.00MM

TH=1.6MM

