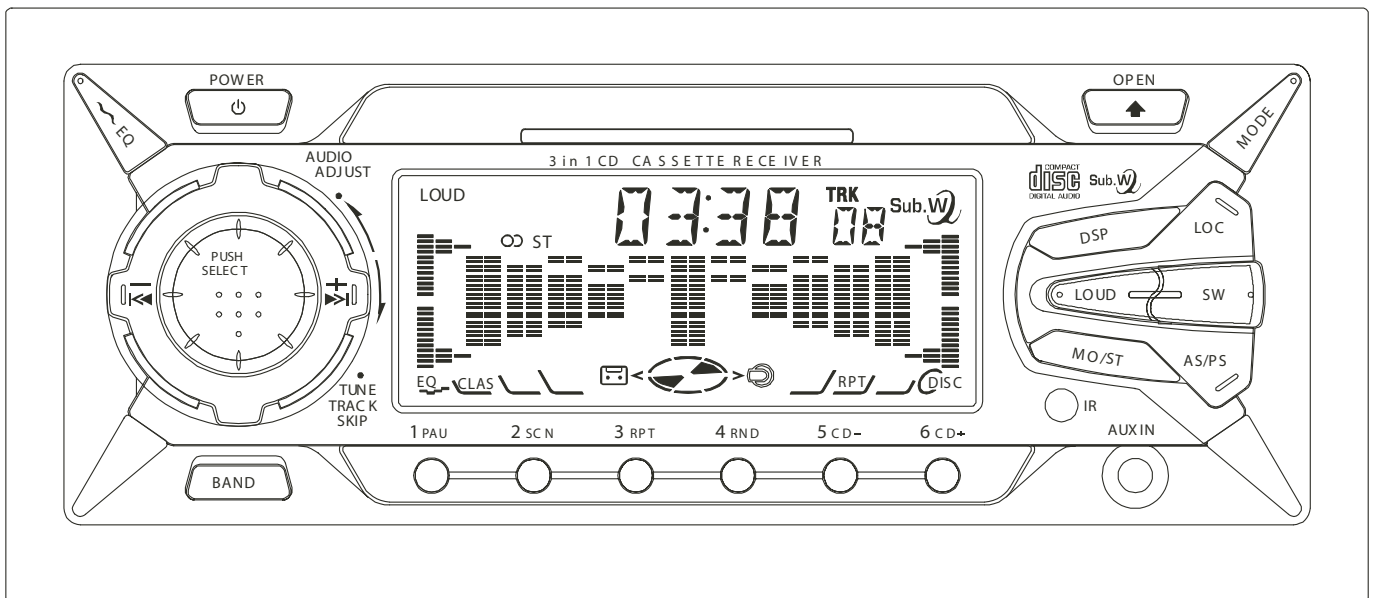


AKAI

Service Manual

MOBILE AUDIO SYSTEM



MODEL: AKAI ACR-18H

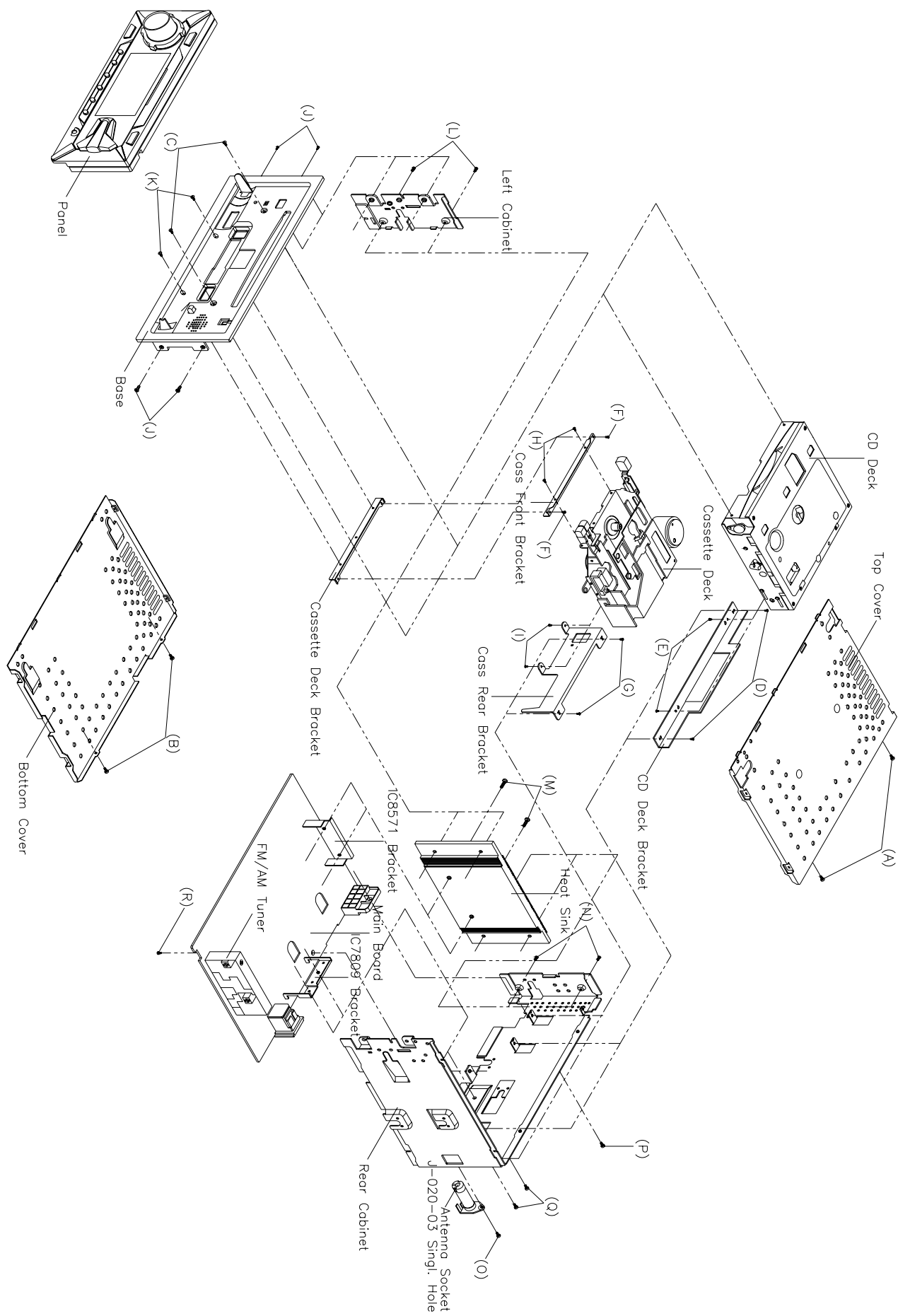
CONTENTS

	Page
Disassembly Instructions	3
Disassembly Diagram	4
Operation Check	5
Block Diagram	6
Alignment Locations	7
Alignment Procedures	8
Printed Circuit Boards	9
Wiring Diagram	18
Exploded Views (Panel)	19
Exploded View Parts Lists (Panel)	20
Exploded Views (Cabinet)	21
Exploded View Parts Lists (Cabinet)	22
Exploded View (Deck)	24
Exploded View Parts List (Deck)	25
Schematic Diagram	27
Electrical Parts List	30
Specifications	37

DISASSEMBLY INSTRUCTIONS

1. Remove two screws (A) located on the rear of the top cover then remove the Top Cover
2. Remove two screws (B) located on the rear of the bottom cover then remove the Bottom Cover.
3. Remove two screws (C) located front the base.
Remove two screws (D) from the rear cabinet and remove two screws (E) from the CD bracket then remove the CD Deck and the CD Bracket.
4. Remove two screws (F) from the cassette deck bracket and remove two screws (G) from the rear cabinet.
Remove two screws (H) from the CASS front bracket then remove the Cass Front Bracket.
Remove two screws (I) from the CASS rear bracket then remove the Cassette Deck and the Cass Rear Bracket.
5. Take out the Panel.
Remove four screws (J) from each side of the Base and remove two screws (K) from base the front then remove the Base.
6. Remove two screws (L) from the Left Cabinet then remove the Left Cabinet.
7. Remove two screws (M) from the Heat Sink and remove two screws (N) from the Rear Cabinet of the left side then remove the Heat Sink and the IC 8571 Bracket.
8. Remove the screw (O) and remove the Antenna Socket J-020-03 SINGL. Hole.
9. Remove the screw (P) and two screws (Q) from the rear cabinet of the back then remove the IC7809 Bracket.
10. Remove the screw (R) from under the main board then remove the Main Board and the Rear Cabinet.

DISASSEMBLY DIAGRAM



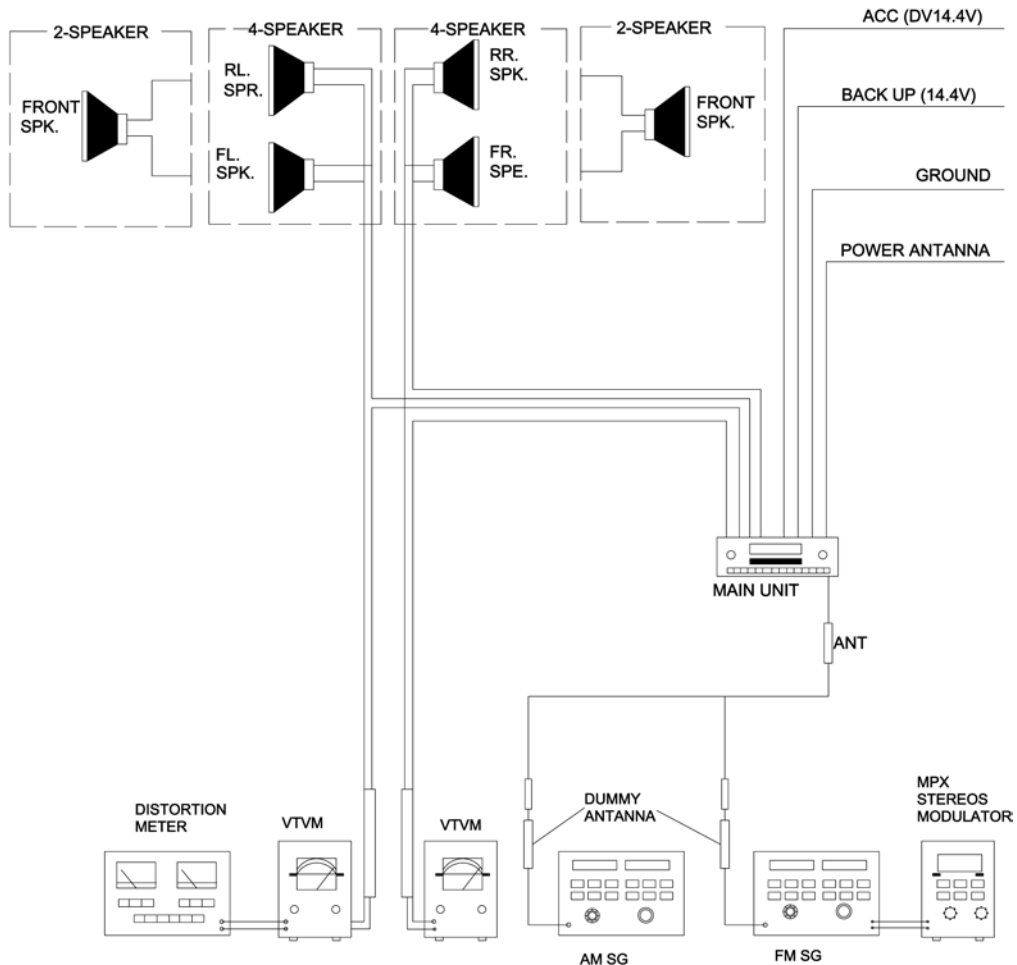
OPERATION CHECK

GENERAL SPECIFICATIONS OF SIGNAL

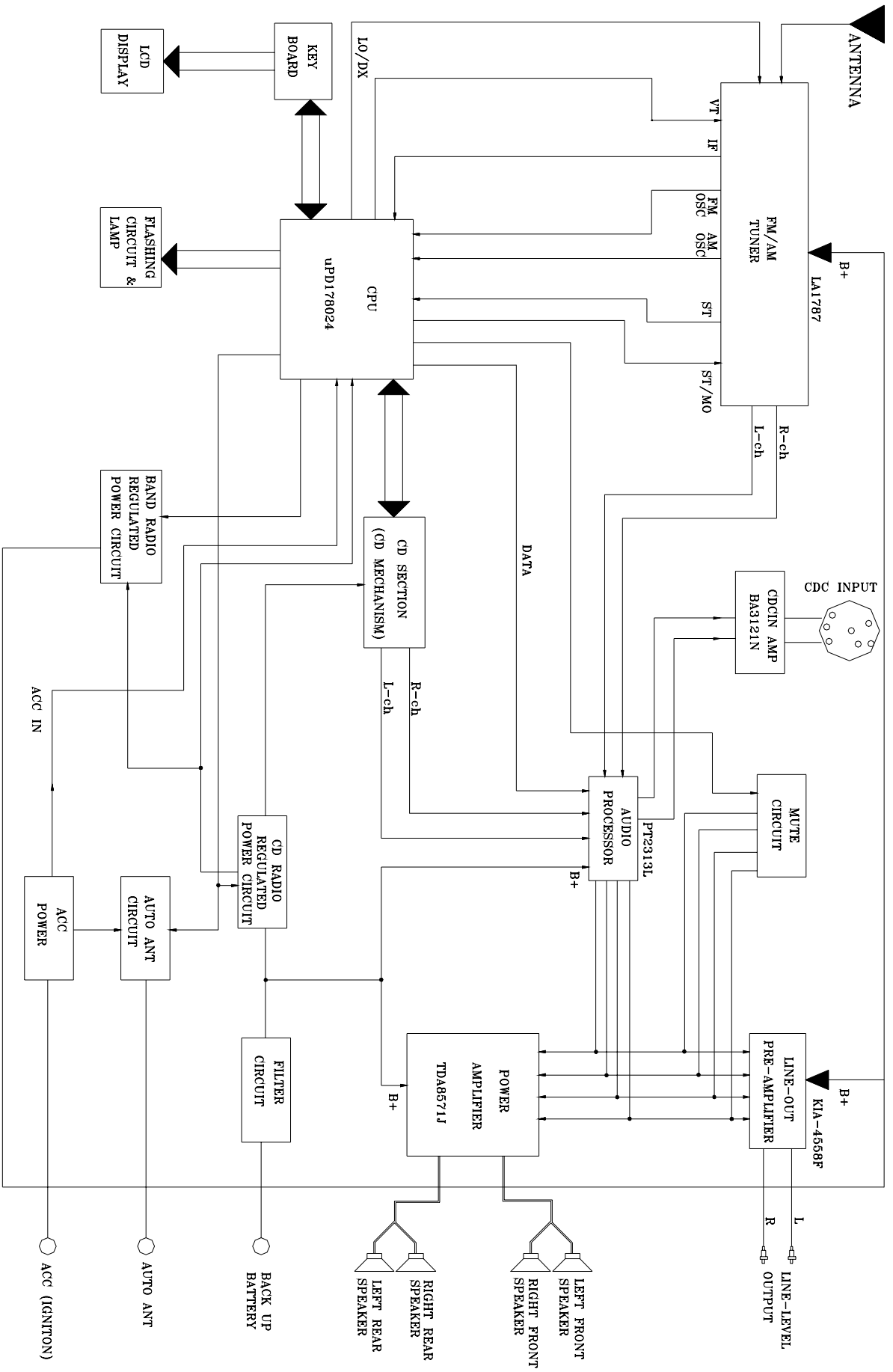
Standard frequency	FM	98.1 MHz	(87.5, 108 MHz)
	MW	1000 kHz	(522, 1620 kHz)
	LW	200 kHz	(144, 288 kHz)
Signal output	FM	1mV	
	MW	5mV	
	LW	5mV	
Modulation	MW	400 Hz	30% MOD.
	FM Stereo	1 kHz	75 kHz DEV.
AF output level	FM/MW/LW		
Power source voltage	DC 14.0V (Backup voltage is the same as this)		
AF load impedance	4 ohm pure resistance		
Balance	Center position of level		
Tone	Center position		

The signal strength read in this section is voltage on the antenna.

Test Diagram

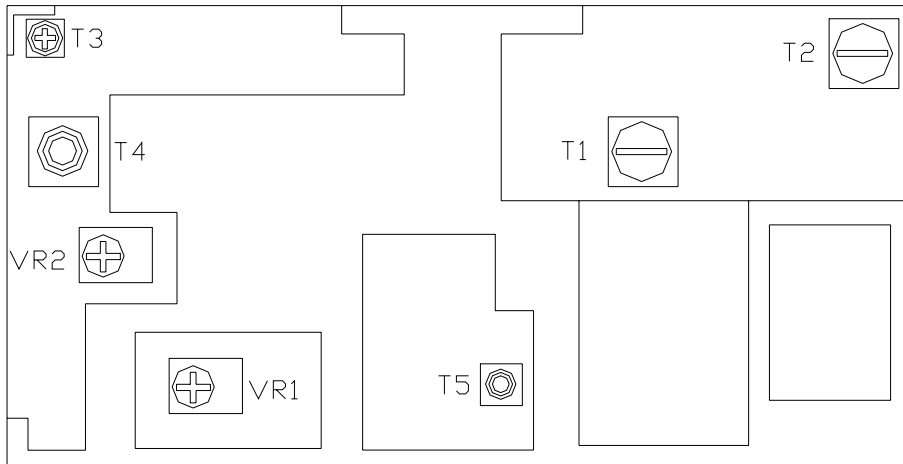


BLOCK DIAGRAM



ALIGNMENT LOCATIONS

FM/MW/LW TUNER



ALIGNMENT PROCEDURES

FM ADJUSTMENT

Equipment Required

- AM IF/RF signal generator
- Solid-state voltmeter (SSVM)
- Regulated DC power supply
- 2-CH voltmeter
- Distortion meter

FM Alignment Using FM Signal Generator

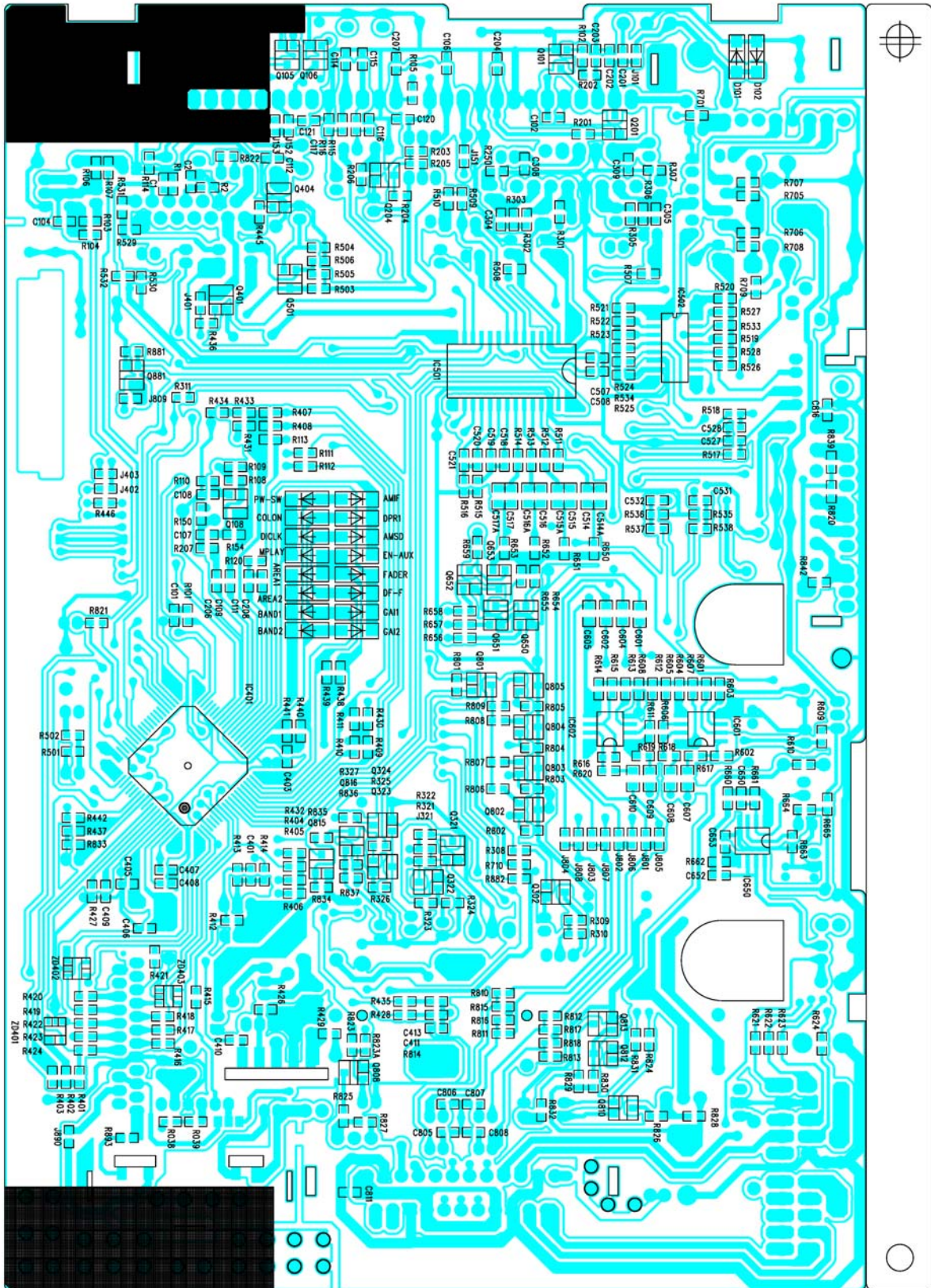
Note: Press the radio power switch to on the radio. Signal generator output must be kept as low as possible to avoid overload and clipping.

Step	Generator Coupling	Generator	Display Setting	Adjustment	Remarks
Stereo Separation	Signal Generator to antenna receptacle	98.1 MHz Int. 1 kHz Dev. 75 kHz L+R = 90 % pilot = 10 %	98.1 MHz	VR1	Adjust AF output power at maximum separating more than 30 dB
FM SNC Adjustment	98.1 MHz Dev. 75 kHz L+R=90 % Int. 1 kHz 60dB μ V output	98.1 MHz @ 40 dB μ	98.1 MHz	VR2	Stereo Separation 25 dB (\pm 5 dB)
STOP SENS.	Signal Generator To antenna receptacle	98.1 MHz Mod. 1kHz Dev 75kHz	98.1 MHz	VR3	Adjust AF to stop station.

Note: The tuner module is well-adjust and adjustment is not recommended.

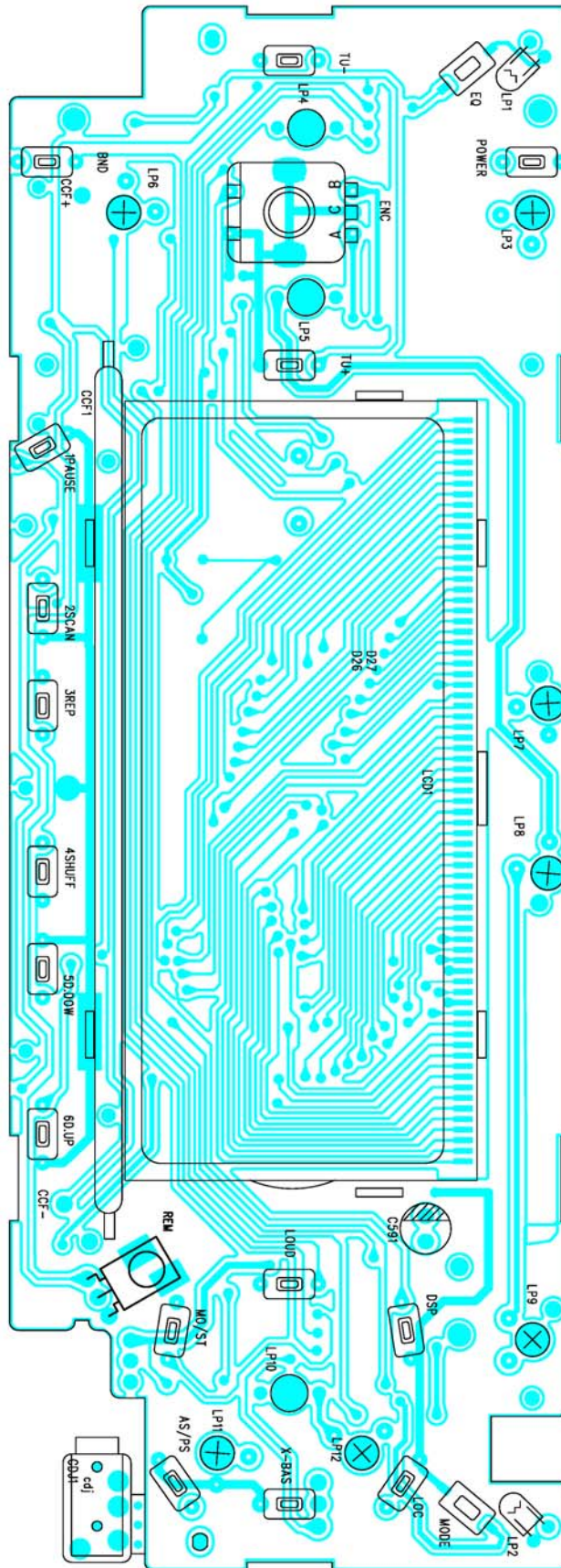
PRINTED CIRCUIT BOARDS

MAIN BOARD



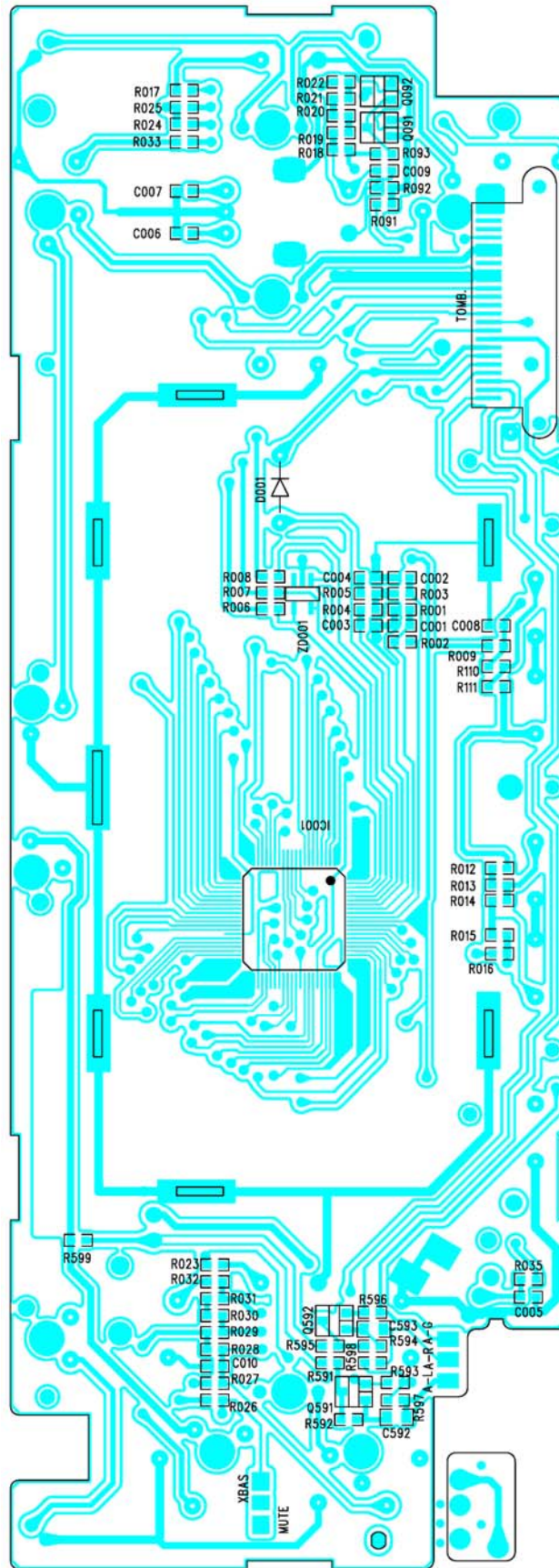
TOP VIEW

KEY BOARD



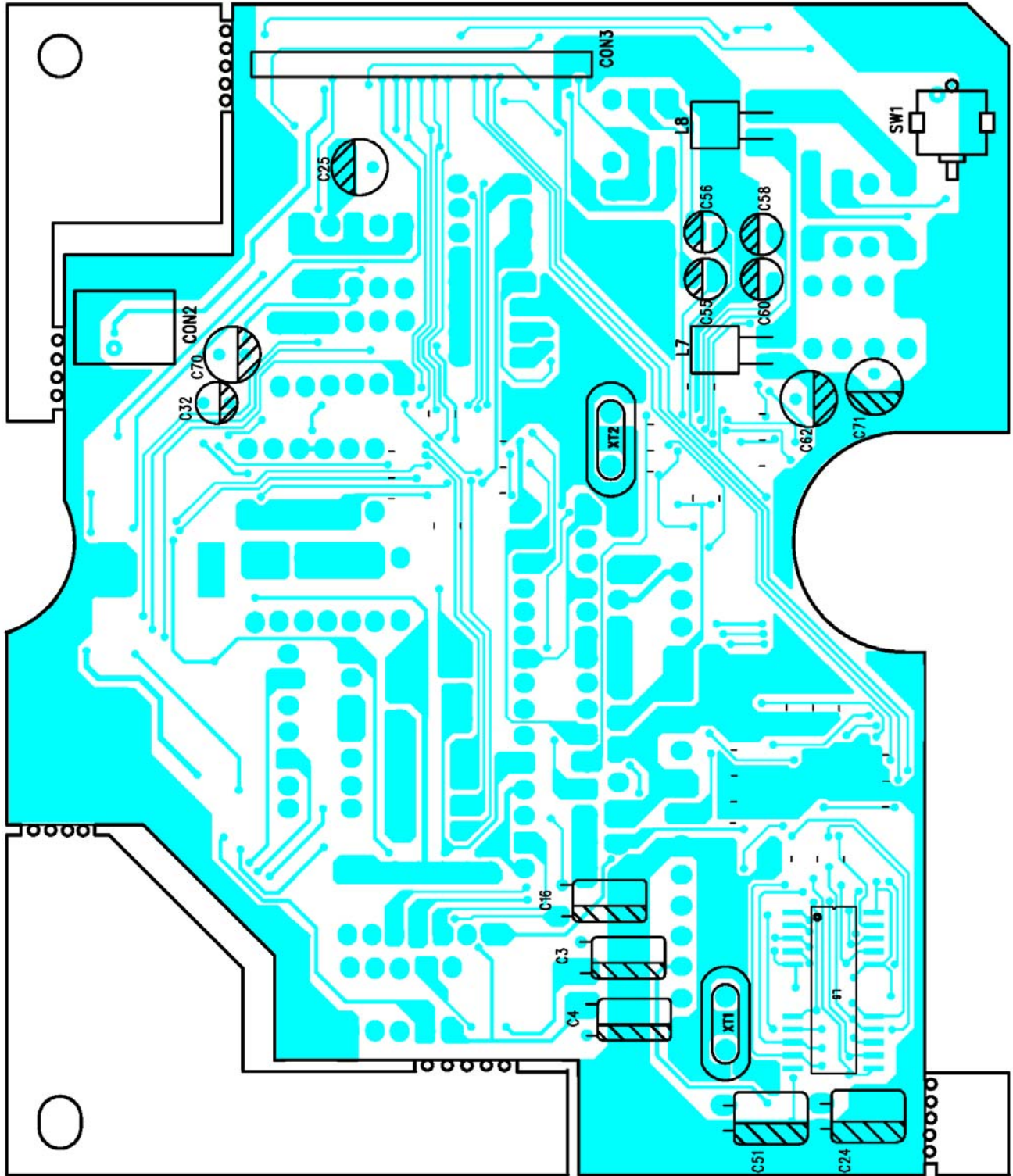
TOP VIEW

KEY BOARD



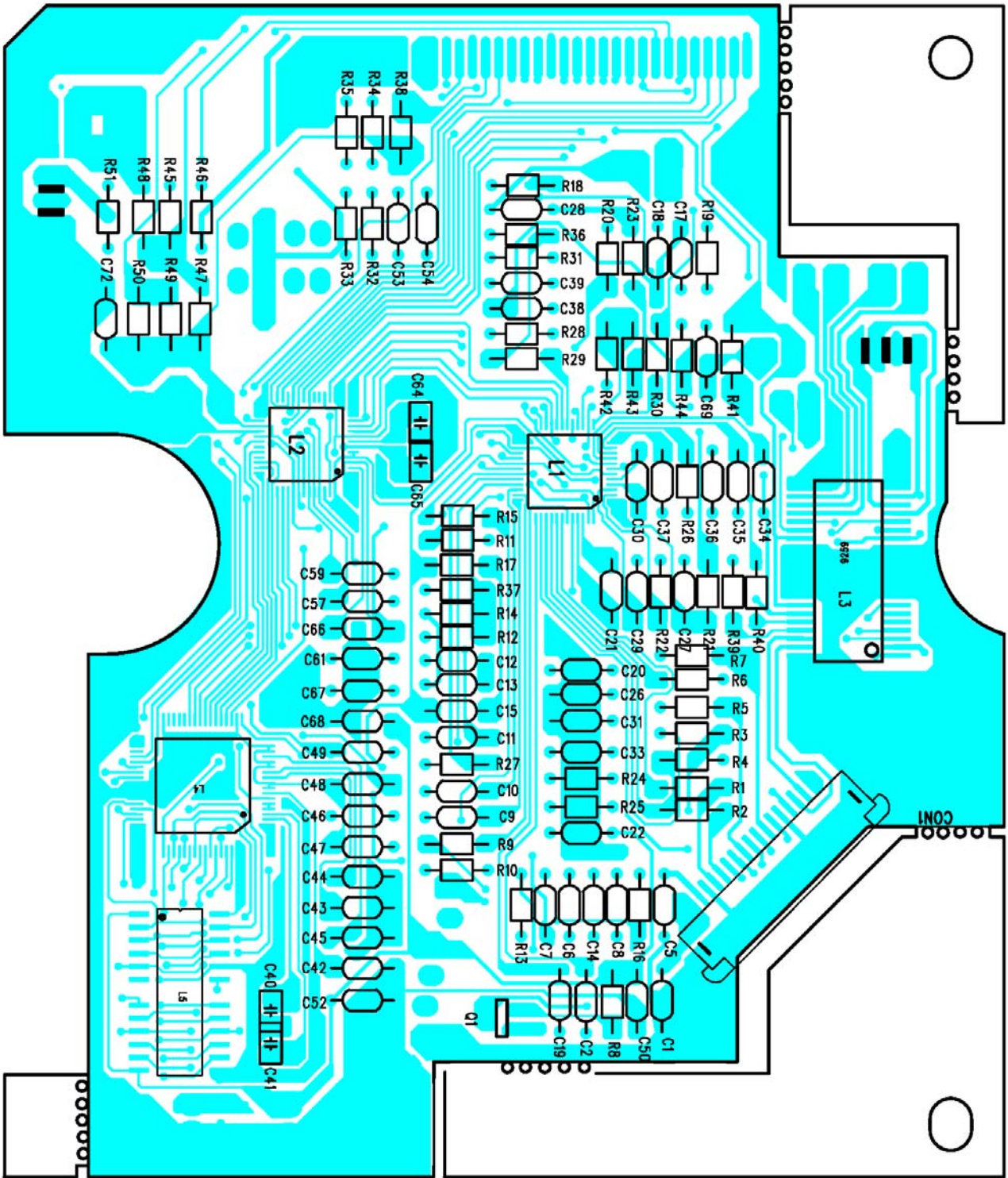
BOTTOM VIEW

CD SERVO BOARD



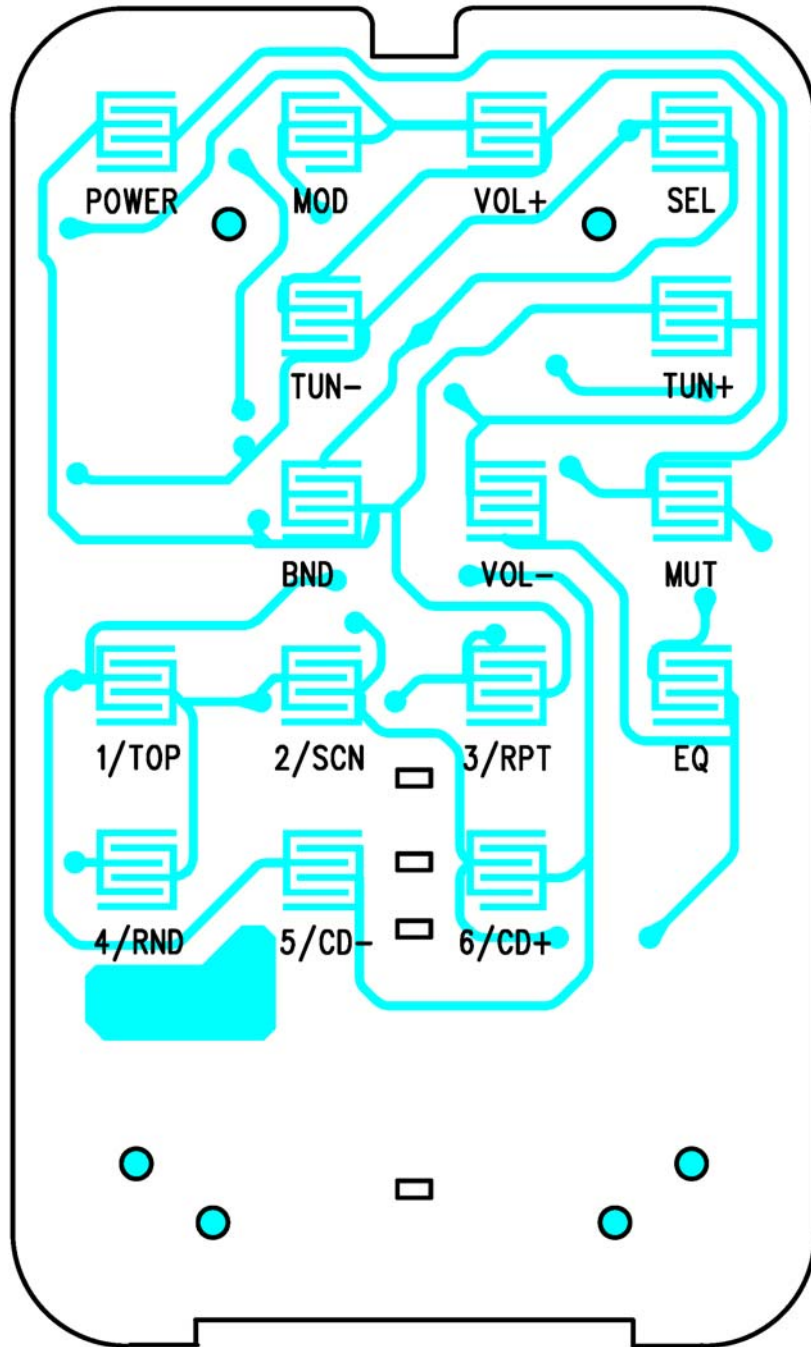
TOP VIEW

CD SERVO BOARD



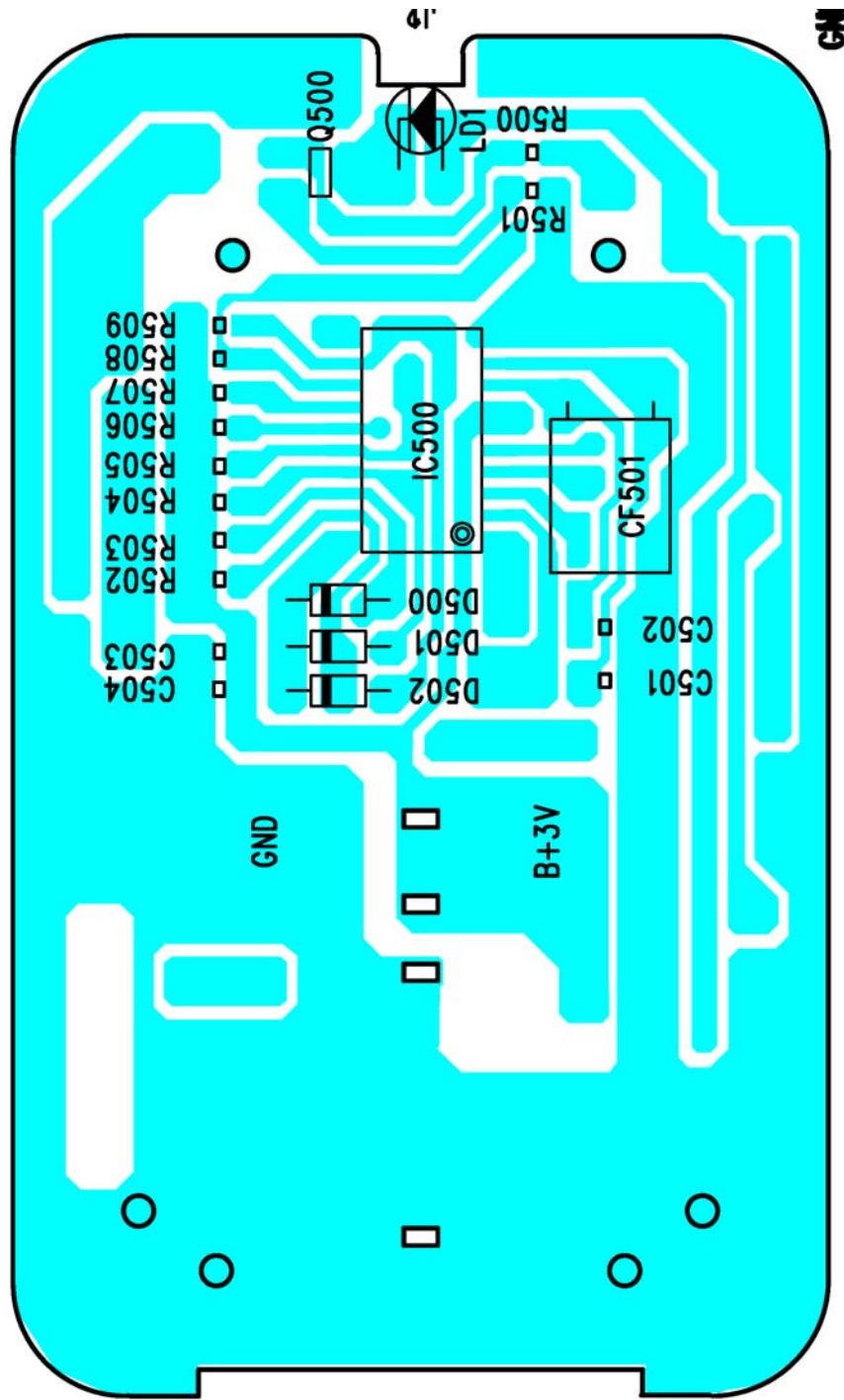
BOTTOM VIEW

REMOTE BOARD



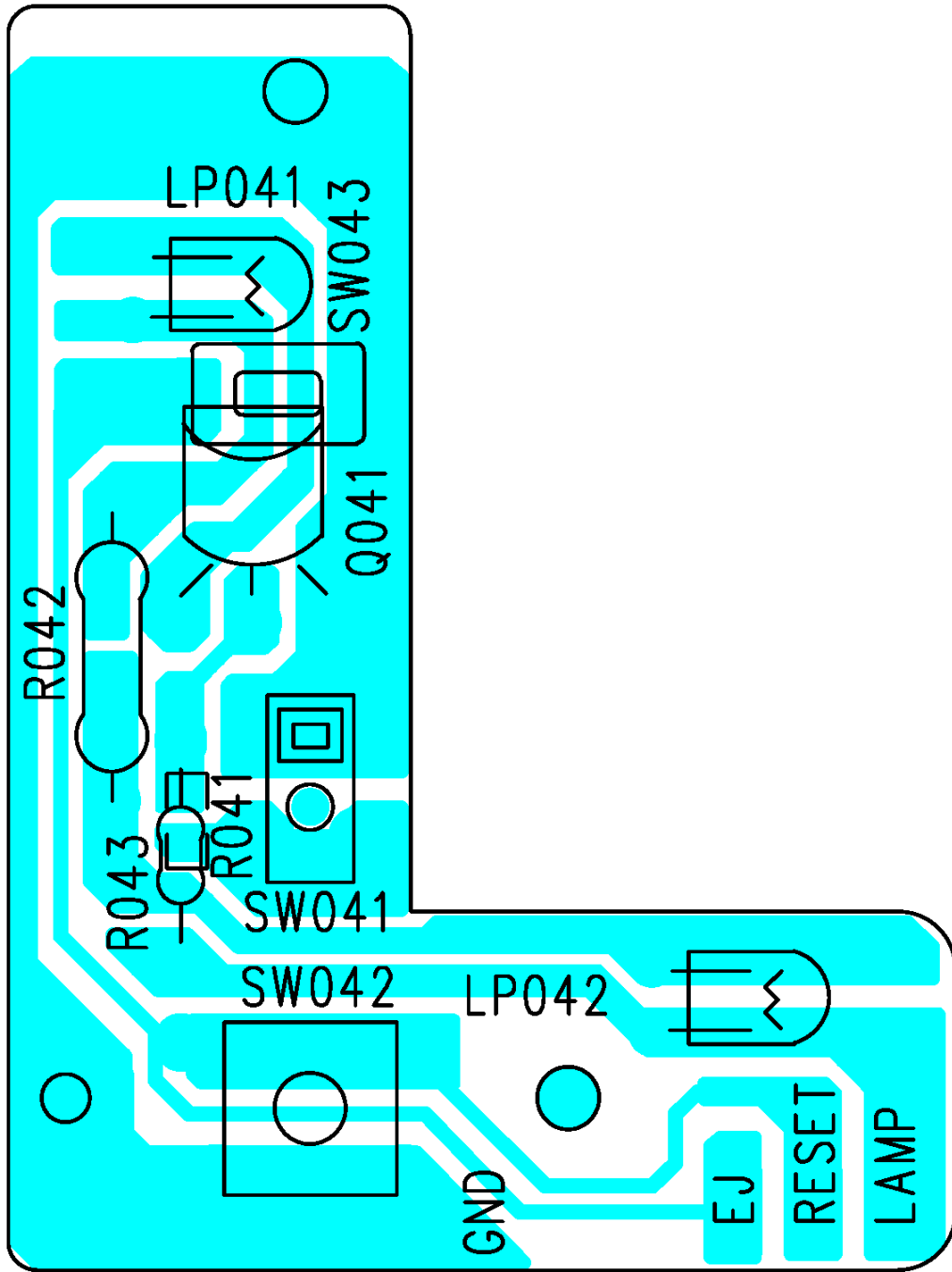
TOP VIEW

REMOTE BOARD

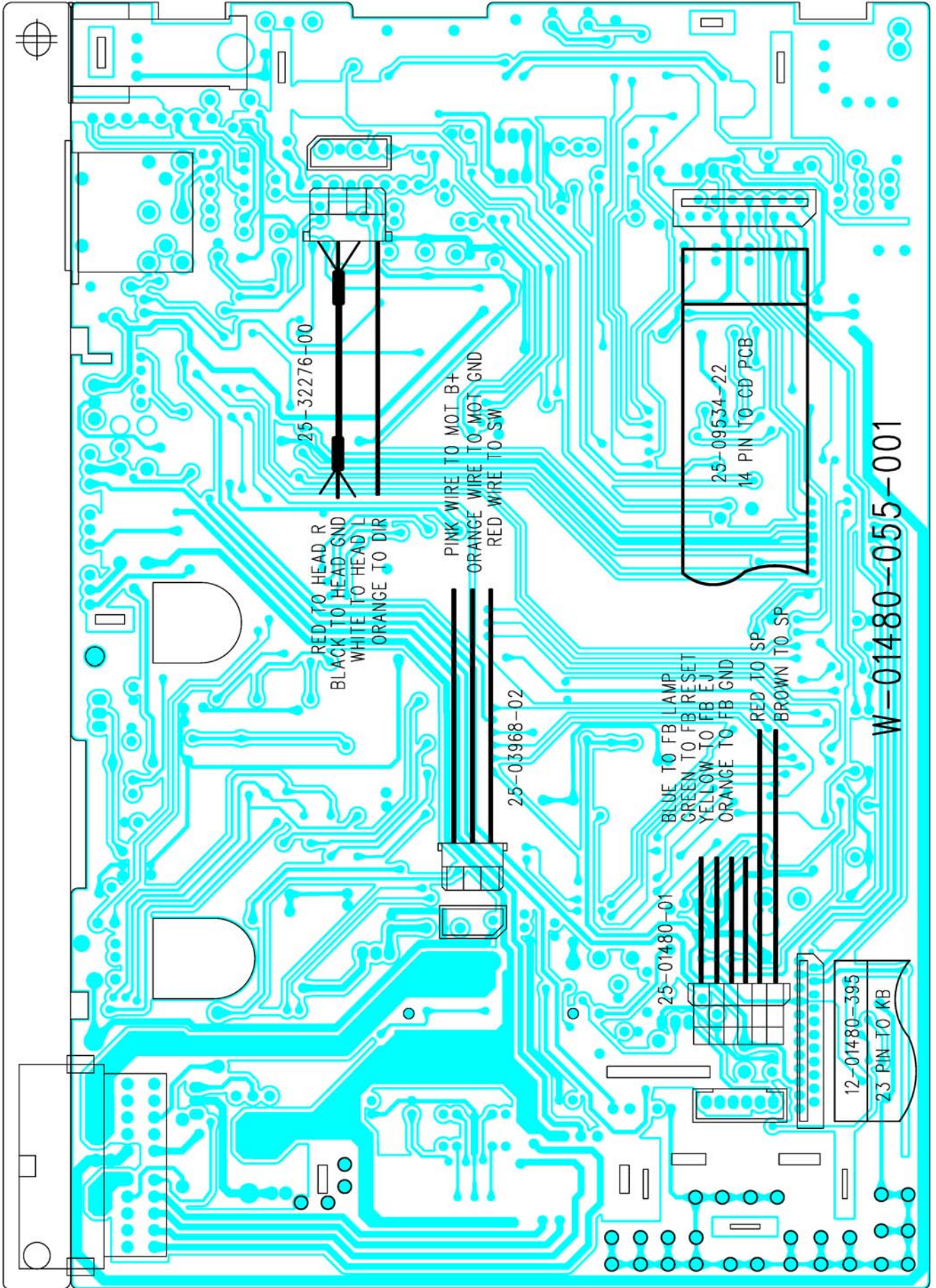


BOTTOM VIEW

FRONT BOARD

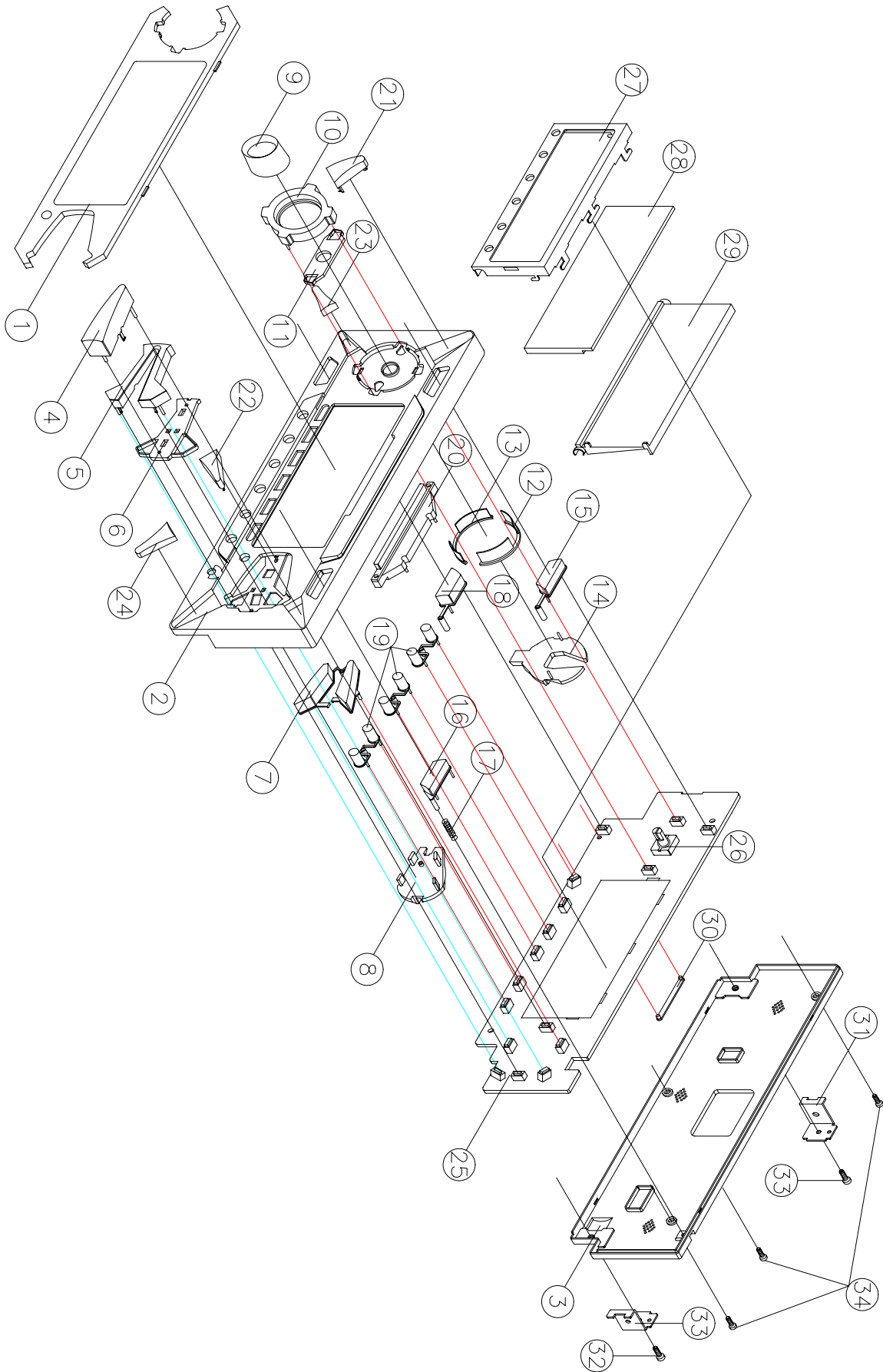


WIRING DIAGRAM



EXPLODED VIEW

PANEL



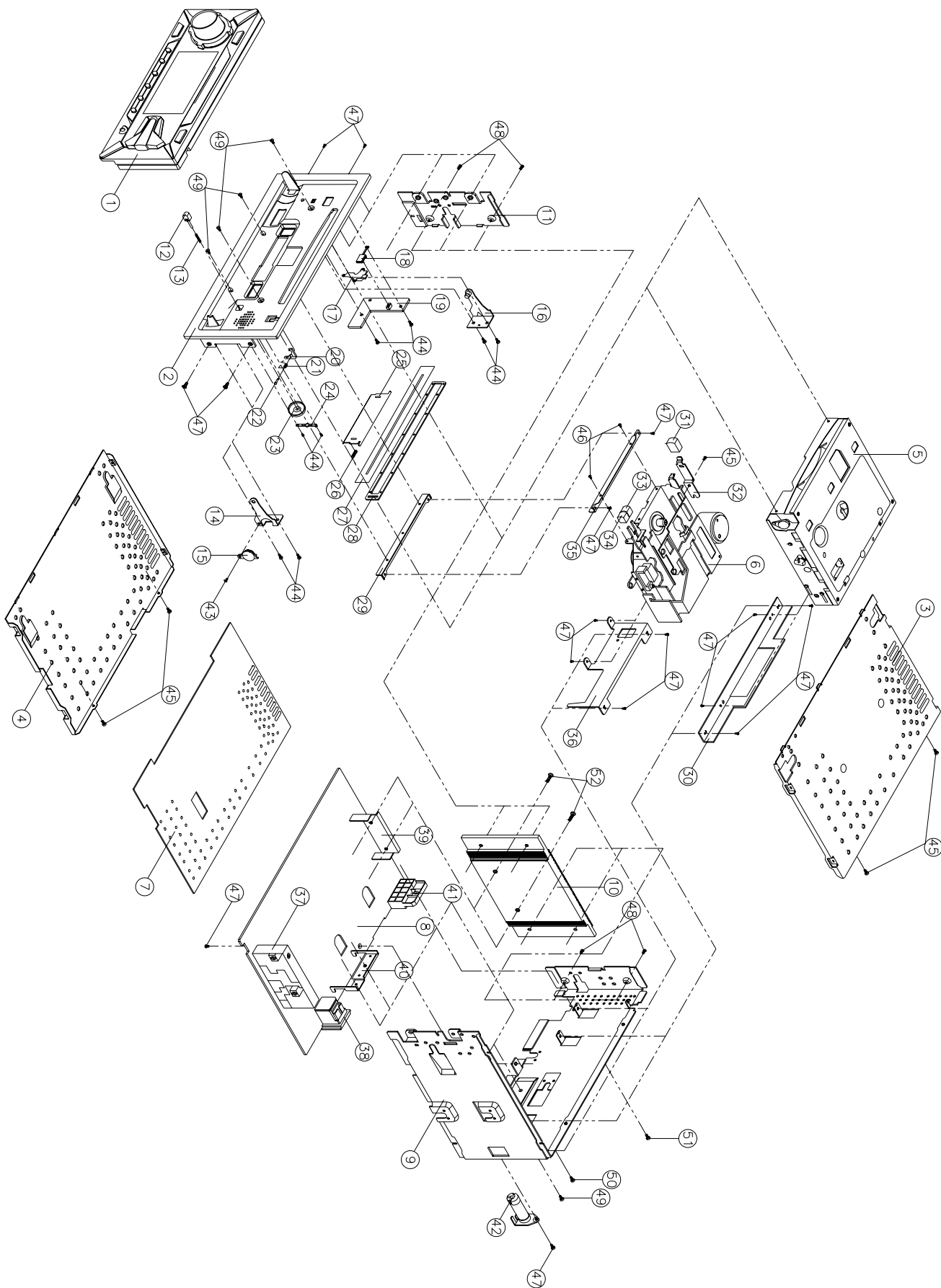
EXPLODED VIEW PARTS LIST

PANEL

Ref. No.	Description	RS Part No.	Mfr's Part No.
1	Lens: (S. PMS8180C#) W/RM/CDC/SW		53-C4853-12C
2	Top Panel (S. OPC0201) W/O Brand		51-C4821-82Y
3	Bottom Panel /777		51-C4822-00
4	LOUD/SW (E-Silver)		52-C4824-91E
5	LOC/AS/PS (L-Up) (S. OPC0201)		52-C2825-81
6	Sponge (LOC) Black		81-C4803-00
7	DSP/MO/ST (L-Up) (S. OPC0201)		52-C2826-81
8	Right Back Light		52-C4852-00
9	VOL Knob (S. OPC0201)		52-C4841-81
10	TUNE/SKIP (L/R) (L-Up) (S. OPC0201)		52-C4831-81
11	Sponge (Up) Black		81-C4802-00
12	Ring Trim Light (I)		52-C4849-00
13	Ring Trim Light (II)		52-C4850-00
14	Left Back Light Spray White		52-C4848-01
15	Power Knob (L-Up) (S. OPC0201)		52-C4828-81
16	Open Knob (L-Up) (S. OPC0201)		52-C4827-81
17	"Open" Spring		36-40205-00
18	BAND (L-Up) (S. OPC0201)		52-C4829-81
19	1~6 Knob (E-Silver)		52-C4830-90E
20	Middle Back Light Spray White		52-C4851-01
21	EQ Knob (L-Up) (S. OPC0201)		52-C4833-81
22	MODE Knob (L-Up) (S. OPC0201)		52-C4832-81
23	Left Trim (S. OPC0201)		52-C4835-80
24	Right Trim (S. OPC0201)		52-C4836-80
25	Key Board		12-01480-305
26	CD115 Rotate Encoder VOL.		18-00115-00
27	LCD Cover Spray Black		39-C4802-00
28	LCD Color NEG CD148X3.4		27-01480-01Y
29	LCD Back Light Spray White		52-C4847-02
30	FIX Plate		52-C4853-00
31	Left Panel Bracket (Spray Black)		39-C4804-00
32	Right Panel Bracket (Spray Black)		39-C4803-00
33	Screw Ø2.6X10 BH/ST Black		40-12610-01
34	Screw Ø2X8 BA/ST Black		40-12008-21

EXPLODED VIEW

CABINET



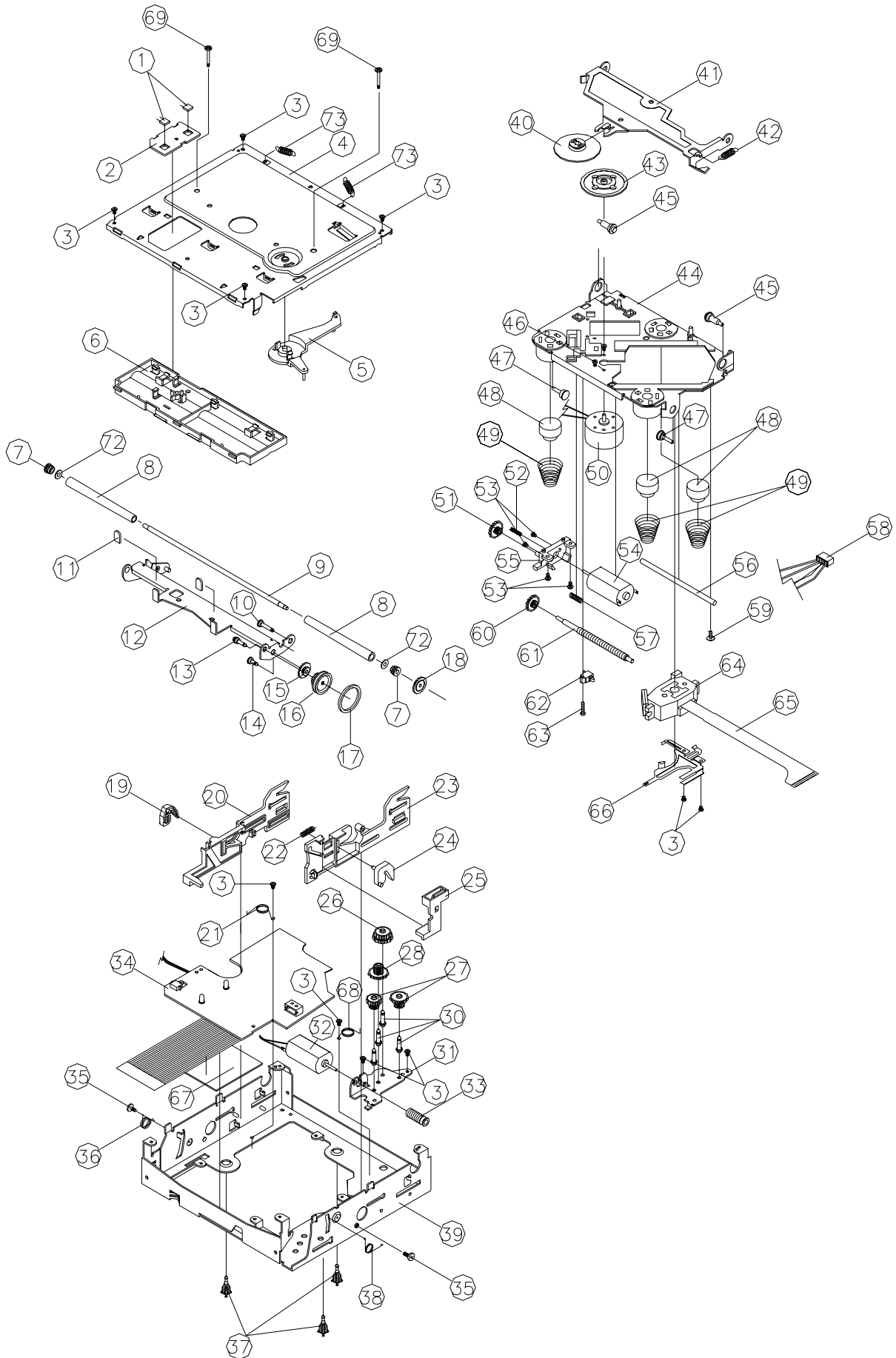
EXPLODED VIEW PARTS LIST

CABINET

Ref. No.	Description	RS Part No.	Mfr's Part No.
1	Panel		
2	Base (S. OPC0201) 777		51-C2823-80
3	Top Cover		61-C4803-00
4	Bottom Cover		61-C4804-00
5	Bare MECH. MDAJ03B/TR2		94-01201-03
6	W/F-36 (MCI5ULCKNZ/AP-4226)		94-00036-10W
7	MPCB Fiber 0.5MM		35-C4802-00
8	Main Board		12-01480-055
9	Rear Cabinet		61-C4802-00
10	Heat Sink		61-C4801-00
11	Left Cabinet		39-C4801-00
12	Spring Knob		52-C4842-00
13	Release Spring		36-00102-00
14	Right Bracket ASS'Y (Spray Black)		39-C4808-00
15	Gear (I)		52-C4843-00
16	Left Bracket ASS'Y (Spray Black)		39-C4807-00
17	CD Back Light		52-C4846-00
18	CD Eject Knob (L-Up) (S. OPC0201)		52-C4843-31
19	Front Board		12-01480-355
20	Hook		52-C4845-00
21	Ejector Spring		36-44158-00
22	Hook Shaft		34-00101-00
23	Speaker 80UH 0.25W 4.6X23MM		14-04623-00
24	Speaker FIX Plate		39-C4812-00
25	Cass Door		66-C4801-00
26	Tape Door Spring		36-13812-00
27	Shade		81-69005-02
28	CD Windows Sheet		43-A3101-00
29	Cassette Deck Bracket		39-C4805-00
30	CD Deck Bracket		39-C4806-00
31	Cassette Eject Button		52-C4838-00
32	Eject Lever (A/R) 0.8MM		39-07626-00
33	FF Button		52-C4840-00
34	REW Button		52-C4839-00
35	Cass Front Bracket (II)		39-C4810-00
36	Cass Rear Bracket (I)		39-C4811-00
37	LA1787 FM/AM TUNER (CET-7000USA)		29-17870-00
38	8P DIN Socket SKDS-08-02		25-D0802-00
39	IC 8571 Bracket 1.0MM		39-85711-01
40	IC7809 Bracket		39-C4809-00

Ref. No.	Description	RS Part No.	Mfr's Part No.
41	22PIN Socket CD1421 (JENSEN)		25-M1421-22
42	Antenna Socket J-020-03 Signal. Hole		39-00017-02
43	Screw Ø2 X 3 CH/MS Black		40-12003-09H
44	Screw Ø2 X 6 BH/ST		40-12006-01
45	Screw Ø2.6 X 3 PH/MS		40-02603-00
46	Screw Ø2.6 X 3 PH/TAPTITE		40-02604-03
47	Screw Ø2.6X4 BH/MS		40-02604-01
48	Screw Ø2.6 X 4 PH/TAPTITE		40-02604-03
49	Screw Ø2.6 X 6 BH/MS		40-02606-01
50	Screw Ø2.6 X 7 BH/MS		40-02607-00
51	Screw Ø3 X 8 BH/ST		40-03008-02
52	Screw Ø3 X 18 PH/MS		40-03018-00

EXPLODED VIEW (CD DECK)

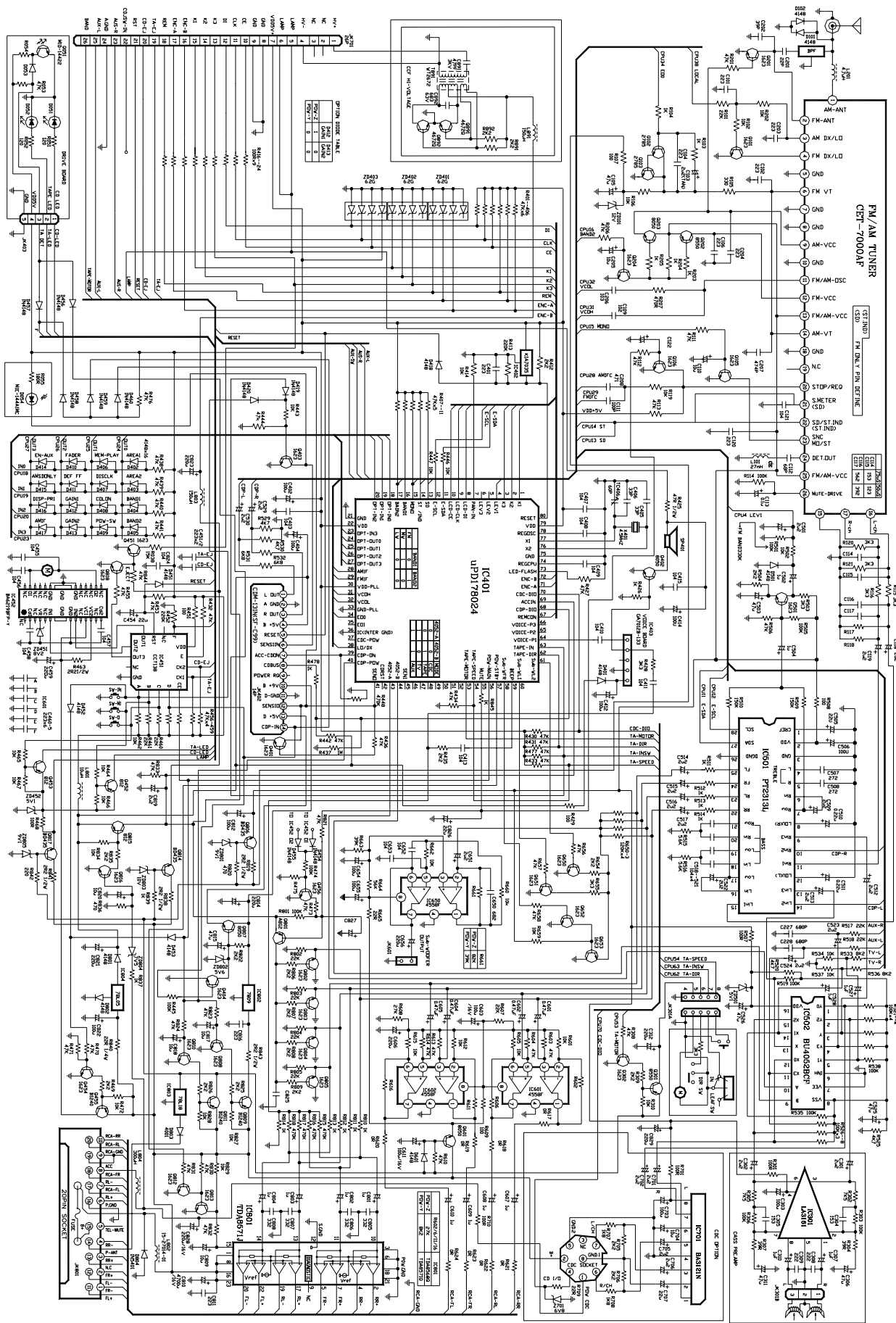


EXPLODED VIEW PARTS LIST (CD DECK)

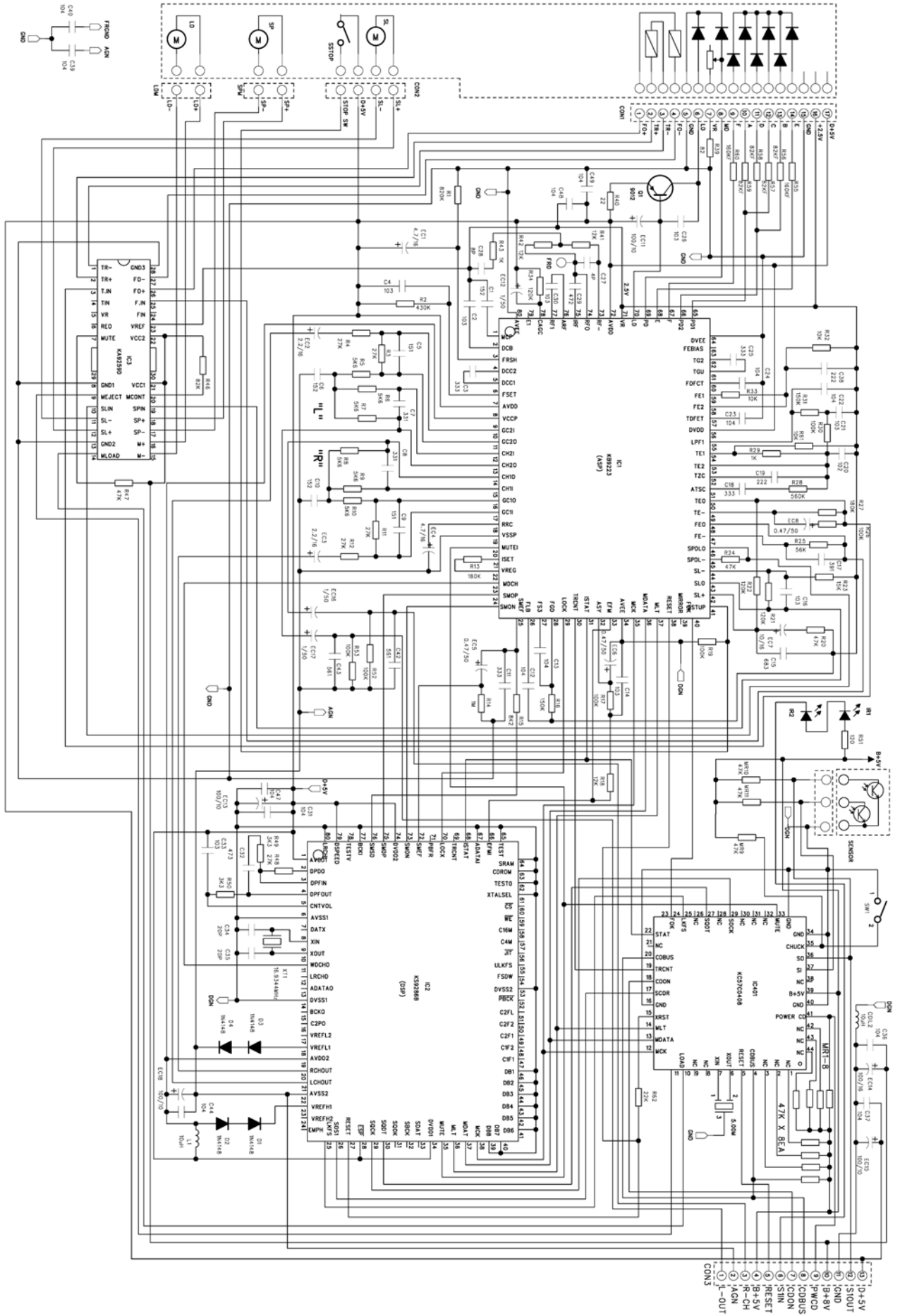
Ref. No.	Description	Parts No.	Q'ty
1	SENSOR	ST-23G	2
2	SENSOR PCB	FR	1
3	SCREW	CA/H 0" TT 2*3	12
4	COVER-UPPER	SECC T1.0	1
5	LEVER DISC	POM (F20-03)	1
6	GUIDE UP	POM (F20-03)	1
7	BUSHING ROLLER	POM (F20-03)	2
8	ROLLER DISC	SLICON	2
9	SHAFT ROLLER	SUS 303	1
10	PIN ROLLER	SUM24L-NI (PLATE)	1
11	PVC CAP	PVC	2
12	B/K ROLLER	SECC T1.0	1
13	PIN PULLEY	SUM24L-NI (PLATE)	1
14	PIN IDLE	SUM24L-NI (PLATE)	1
15	GEAR IDLE	POM (F20-03)	1
16	GEAR PULLEY	POM (F20-03)	1
17	BELT PULLEY	CR-WRT	1
18	GEAR ROLLEY	POM (F20-03)	1
19	LOCKER (L)	POM (F20-03)	1
20	CAM (L)	POM (F20-03)	1
21	S/P CAM (L)	SUS304WPB	1
22	S/P RACK	SUS304WPB	1
23	CAM (R)	POM (F20-03)	1
24	LOCKER ®	POM (F20-03)	1
25	GEAR RACK	POM (F20-03)	1
26	GEAR LOAD ©	POM (F20-03)	1
27	GEAR LOAD (D)	POM (F20-03)	1
28	GEAR LOAD (B)	POM (F20-03)	1
29	GEAR LOAD (A)	POM (F20-03)	1
30	PIN LOAD	SUM24L-NI (PLATE)	4
31	B/K GEAR	SECC T1.0	1
32	MOTOR	FF-050SH-11190	1
33	GEAR WORM	POM (F20-03)	1
34	GERVO PCB ASSY	GLASS EPOXY 1.2T	1
35	SPECIAL SCREW	P/H TTS 2*2	4
36	S/P RO (L)	SUS304WPB	1
37	SUPPORT DAMPER	POM (F20-03)	3
38	S/P RO ®	SUS304WPB	1
39	CHASSIS MAIN	SEEC T1.0	1

Ref. No.	Description	Parts No.	Q'ty
40	CLAMP DISC	POM (F20-03)	1
41	HOLD CLAMPER	SECC T1.0	1
42	S/P CLAMPER	SUS304WPB	1
43	TURN TABLE	ABS G/F 20%	1
44	BASE PU	POM (F20-03)	1
45	PIN SIDE (A)	SUM24L-NI (PLATE)	2
46	SCREW	CA/H 0" M/S 1.7*2.5	2
47	PIN SIDE (B)	SUM24L-NI(PLATE)	2
48	DAMPER	BUTHYL	1
49	S/P BASE	SUS304WPB	2
50	MOTOR	RF-400CA-12265	1
51	GEAR PU (B)	HYTRELL 5526	1
52	GEAR PU (A)	POM (F20-03)	1
53	SCREW	CA/H 0" M/S 2*2	6
54	MOTOR	FF-050SH-11190	1
55	HOUSING GEAR	POM (F20-03)	1
56	SHAFT PU	KNN11 (PCD18)	1
57	SCREW	R/H (W/W) TTB2*5	1
58	4P CONT WIRE	1007 #28	1
59	SPRING TENSION	SUS304WPB	1
60	GEAR PU ©	POM (F20-03)	1
61	LEAD SCREW	BSBM	1
62	SWITCH	SW-110	1
63	SCREW	B/H TTB1.7*8	1
64	PICK UP	SF-C99	1
65	FPC WIRE	POLY AMIDE	1
66	SPRING PU	SUS T0.2	1
67	FIBER PAPER		1
68	S/P CAM ®	0.55	1
69	TRANSIT SCREW	4.5*18	2
70	INSULATOR COVER	PE	1
71	SWITCH	SW-111	1
72	WASHER PE	PE	2
73	S/P BASE ®	SUS304WPB	2

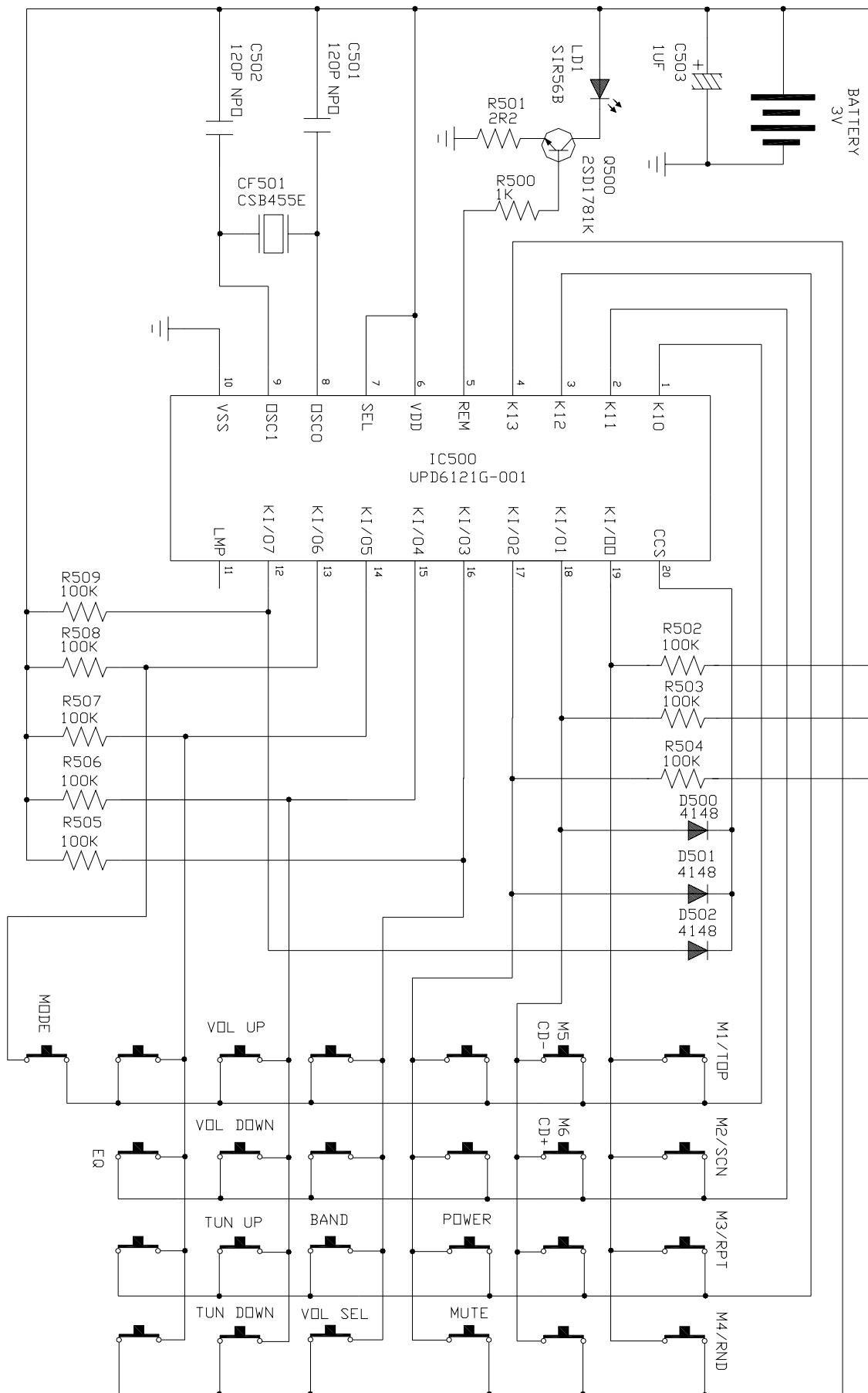
SCHEMATIC DIAGRAM (MAIN BOARD)



SCHEMATIC DIAGRAM (CD SERVO BOARD)



SCHEMATIC DIAGRAM (REMOTE BOARD)



ELECTRICAL PARTS LIST

Ref. No.	Part No.	Description	Q'ty
PC BOARD ASSY, MAIN BOARD			
Q806,814/7	01-00435-00S	TR. BD435 NPN TO-126 SAMSUNG	3
Q801,815	01-00812-00	TR. 2SA812	2
Q809,811	01-01240-00	TRANSISTOR B1240	2
Q101/5/6,302,321~4,404,501,802~5/8, 810/2/3/6,881	01-01623-00	CHIP TR. C1623 "NEC"	20
Q102/3	01-02785-00C	TRANSISTOR 2SC2785 "NEC"	2
Q891/2	01-04672-00	TR. SMD 2SC4672Q	2
IC804	01-07805-00	IC-REGULATOR 78L05 "NEC"	1
Q041,402,807	01-08050-03	TR. 8050C TO-92-B	3
Q301	01-08550-03	TR. 8550C TO-92-B	1
ZD401~3	02-00062-07	E.S.D. DIODE NNCD6.2G (5PIN)	3
D803	02-04001-00	DIODE IN4001	1
D401,501,801/2	02-04148-00	DIODE 1N-4148	4
D402/5,410/1/7	02-04148-02	DIO CHIP RLS4148 1206 ROHM	5
D804	02-05401-00	DIODE IN5401	1
L041/2	02-30503-60D	P. LAMP 3V6MA Ø3X6MM (TAI WAH)	2
ZD501	02-50051-00	ZENER DIODE 5.1V 0.5W	1
ZD802	02-50056-00	ZENER DIODE 5.6V 0.5W	1
ZD804	02-50075-00	ZENER DIODE 7.5V 0.5W	1
ZD801/5	02-50091-00	ZENER DIODE 9.1V 0.5W	2
ZD803	02-50100-00	ZENER DIODE 10V 0.5W	1
ZD101	02-50120-00	ZENER DIODE 12V 0.5W	1
IC501	03-02313-00	I.C. PT2313L	1
IC301	03-03161-00	I.C. LA-3161	1
IC502	03-04052-03	IC CHIP BU4052BCF ROHM	1
IC402	03-07035-00	IC KIA7035P	1
IC802	03-07809-00	IC 7809 (TO-220)	1
IC803	03-07818-00	REGULATOR LC-78L18	1
IC801	03-08571-00	IC TDA8571J (4X40W)	1
IC401	03-17802-401	IC UPD178024 GC-215-8ET	1
X401	04-00045-00	CRYSTAL 4.5MHz (HC 18U)	1
C891	05-00470-302	CAP CER 47P 3KV ±5%	1
C514~7,514A~17A	05-03105-10M	CHIP CAP KC20E1C105M-TS	8
C892	05-04683-00	METALIZED CAP 0.068µF 63V ±5%	1
C103	05-16225-00	TAN CAP 2.2µF 16V	1
C111	05-63101-00	CHIP 100PF ±5% NPO 0603 SMT	1
C109	05-63102-01	CHIP 1000PF ±10% X7R 0603 SMT	1
C121	07-63103-01	CHIP 0.01µF ±10% X7R 0603 SMT	1
C403/7~10,518~21	05-63104-01	CHIP 0.1µF ±10% X7R 0603 SMT	9
C114/5,304/5	05-63153-01	CHIP 0.015µF ±10% X7R 0603 SMT	4
J101/6	05-63220-00	CHIP CAP 22PF ±5% NPO 0603 SMT	2

ELECTRICAL PARTS LIST - CONTINUED

Ref. No.	Part No.	Description	Q'ty
C308/9	05-63222-01	CHIP 2200PF ±10% X7R 0603 SMT	2
C101/2/4/6,120,401,811/6	05-63223-01	CHIP 0.022µF ±10% X7R 0603 SMT	8
C507/8	05-63272-01	CHIP 2700PF ±10% X7R 0603 SMT	2
C405/6	05-63330-00	CHIP CAP 33PF ±5% NPO 0603 SMT	2
C805~8	05-63332-01	CHIP 3300PF ±10% X7R 0603 SMT	4
C116/7	05-63562-01	CHIP 5600PF ±10% X7R 0603 SMT	2
C303,402/4,412/4,506,812	06-10107-01	E. CAP 100µF 10V (Ø5X7MM MINI)	7
C306,311,321,503,525/6,815	06-10476-01	E. CAP 47µF 10V (Ø4X7 MINI)	7
C041,110,122,322,809,817/8,820	06-16106-01	E. CAP 10µF 16V Ø4X7MM	8
C822	06-16107-01	E. CAP 100µF 16V (Ø6.3X7MM)	1
C505,813	06-16226-01	E. CAP 22µF 16V (Ø4X7MM)	2
C312,814,821/3	06-16227-01	E. CAP 220µF 16V (Ø6.3X12MM)	4
C105	06-16476-01	E. CAP 47µF 16V (Ø5X7MM)	1
C810	06-16478-01	E. CAP 4700µF 16V 105°C	1
C113	06-50104-01	E. CAP 0.1µF 50V MINI	1
C307,310,502/4,801~4	06-50105-01	E. CAP 1µF 50V (Ø4X7MM)	8
C510/1	06-50224-01	E. CAP 0.22µF 50V (Ø4X7MM) MINI	2
C118/9,301/2,501/9,512/3,529/30,819	06-50225-01	E. CAP 2.2µF 50V (Ø4X7MM)	12
R819,838,841/3	07-05022-10	RES. 2.2Ω 1/2W	4
R840	07-05220-10	RES. 22Ω 1/2W ±5%	1
CPU 62 TO GND	07-05332-16A	RES. 3.3kΩ 1/16W (TAPPING)	1
R425	07-05470-10	RES. 47Ω 1/2W	1
R043	07-05472-16	RES. 4.7kΩ 1/16W	1
R042	07-05680-00	RES. 68Ω 1/4W	1
J151,801~4,R101,150/3/4,401/3,832, 893,C107,890	07-63000-00	CHIP RES. 0Ω 0603 SMT	15
R041,107,301,415~24,429,507/8	07-63101-00	CHIP RES. 100Ω ±5% 0603 SMT	16
R039,103/4,426,446,511~4,810~3,837	07-63102-00	CHIP RES. 1kΩ ±5% 0603 SMT	14
R102/6,114,120,310,322/7,414,502, 827/8,834,881	07-63103-00	CHIP RES. 10kΩ ±5% 0603 SMT	13
R303/6,324/6,445,501/5,519,521~4/6~ 8,801~5	07-63104-00	CHIP RES. 100kΩ ±5% 0603 SMT	20
R437	07-63105-00	CHIP RES. 1MΩ ±5% 0603 SMT	1
R038	07-63153-00	CHIP RES. 15kΩ ±5% 0603 SMT	1
R509,510	07-63154-00	CHIP RES. 150kΩ ±5% 0603 SMT	2
R842	07-63221-00	CHIP RES. 220Ω ±5% 0603 SMT	1
R309,412,504,806~9,822,891/2,825 /6,835	07-63222-00	CHIP RES. 2.2kΩ ±5% 0603 SMT	13
R101	07-63223-00	CHIP RES. 22kΩ ±5% 0603 SMT	1
R413	07-63224-00	CHIP RES. 220kΩ ±5% 0603 SMT	1
R304/7	07-63330-00	CHIP RES. 33Ω ±5% 0603 SMT	2
R105	07-63331-00	CHIP RES. 330Ω ±5% 0603 SMT	1

ELECTRICAL PARTS LIST - CONTINUED

Ref. No.	Part No.	Description	Q'ty
R115/6,311,503,531/2	07-63332-00	CHIP RES. 3.3kΩ ±5% 0603 SMT	6
R820,836	07-63471-00	CHIP RES. 470Ω ±5% 0603 SMT	2
R520/5/9,530	07-63472-00	CHIP RES. 4.7kΩ ±5% 0603 SMT	4
R111~3,308,321/3/5,401~11,427,434/8 ~42,506,824/9~31/3,882,430~2,823A, ,821	07-63473-00	CHIP RES. 47kΩ ±5% 0603 SMT	37
R2	07-63474-00	CHIP RES. 470kΩ ±5% 0603 SMT	1
R515/6	07-63562-00	CHIP RES. 5.6kΩ ±5% 0603 SMT	2
R302/5	07-63752-00	CHIP RES. 7.5kΩ ±5% 0603 SMT	2
L801	09-70100-01	MICRO INDUCTOR 10UH AXIAL TYPE	1
L803,891	09-70151-03	CHOKE COIL 150μH Ø6X10X0.3	2
MB	12-01480-055	CCT138X3.4 MB D/S 191.8X138X1.2	1
VB	12-01480-935	CCT138X3.4 CCF DRIVER43.5X29.6	1
FB	12-01480-355	CCT148X3.4 B 44X33	1
MB TO KB	12-01480-395	CCT-148X3.4 FLEXIBLE PCB	1
SP	14-04623-00	SPK 80UH 0.25W 4.6X23MM	1
T891	15-02672-00	TRANS WT-2672 JBC-544-EFD15	1
L802	15-27012-11J	RING COIL Ø27X12MM V-TYPE	1
	16-01107-00K	TACT SW. DCT/1101 4.3MM 2 PIN	1
	16-05001-00	TACT SW. TS-065001-150 H=5MM	1
	16-51377-00K	PUSH SW. SPPB51377A (DS-20) KONEX	1
PC BOARD ASSY, FM TUNER BOARD			
FM/AM TUNER	29-17870-00	LA1787 FM/AM TUNE CET-7000USA	1
PC BOARD ASSY, AM TUNER BOARD			
Q204	01-01623-00	CHIP TR. C1623 "NEC"	1
Q203	01-08050-03	TR. 8050C TO-92-B	3
Q202	02-08550-03	TR. 8550C TO-92-B	1
C206	05-63103-01	CHIP 0.01μF ±10% X7R 0603 SMT	2
	05-63104-01	CHIP 0.1μF ±10% X7R 0603 SMT	1
C204	05-63223-01	CHIP 0.022μF ±10% X7R 0603 SMT	1
C208	05-63471-00	CHIP 470PF ±5% NPO 0603 SMT	1
C207	05-63474-00	CHIP CAP 0.47μF Y5V +80%	3
C205	06-16106-01	E. CAP 10μF 16V Ø4X7MM	1
R203~5	07-63102-00	CHIP RES. 1kΩ ±5% 0603 SMT	1
R207	07-63471-00	CHIP RES. 470Ω ±5% 0603 SMT	1
R206	07-63473-00	CHIP RES. 47kΩ ±5% 0603 SMT	1
L201	09-70470-02	AXIAL TYPE 4.7μH CHOKE COIL W/TC	1
PC BOARD ASSY, KEY BOARD			
Q091/2	01-01623-00	CHIP TR. C1623 "NEC"	2
ZD001	02-00062-07	E.S.D. DIODE NNCD6.2G (5PIN)	1

ELECTRICAL PARTS LIST – CONTINUED

Ref. No.	Part No.	Description	Q'ty
CCF1	02-00138-00	CF-32104F (104X3.2) CCT-138X3.4	1
D001	02-04148-00	DIODE IN-4148	1
IC001	03-75873-00	IC LC75873 NW (SQFP80)	1
C008~10	05-63103-01	CHIP 0.01 μ F \pm 10% X7R 0603 SMT	3
C001/2/4/6/7	05-63104-01	CHIP 0.1 μ F \pm 10% X7R 0603 SMT	5
C003	05-63221-00	CHIP 220PF \pm 5% NPO 0603 SMT	1
R006~8	07-63101-00	CHIP RES. 100 Ω \pm 5% 0603 SMT	3
R010/2/3/9,021/2,028,030/1	07-63102-00	CHIP RES. 1k Ω \pm 5% 0603 SMT	9
R009,018,027	07-63103-00	CHIP RES. 10k Ω \pm 5% 0603 SMT	3
R011,020,029	07-63152-00	CHIP RES. 1.5k Ω \pm 5% 0603 SMT	3
R014,023,032	07-63272-00	CHIP RES. 2.7k Ω \pm 5% 0603 SMT	3
R004	07-63274-00	CHIP RES. 270k Ω \pm 5% 0603 SMT	1
R015,024,033	07-63332-00	CHIP RES. 3.3k Ω \pm 5% 0603 SMT	3
R001~3,016,025	07-63472-00	CHIP RES. 4.7k Ω \pm 5% 0603 SMT	5
R005,091~3	07-63473-00	CHIP RES. 47k Ω \pm 5% 0603 SMT	4
R017,026	07-63822-00	CHIP RES. 8.2k Ω \pm 5% 0603 SMT	2
KB	12-01480-305	CCT148X3.4 KB D/S 1.2X184.8X65.8	1
	16-01107-01K	TACT SW. DCT/1101A 2PIN L=5MM	21
	18-00115-00	CD115 ROTRAY ENCODER VOL.	1
CD BOARD ASSY, COUNTER BOARD			
Q650~3	01-01623-00	CHIP TR. C1623 "NEC"	4
IC650	03-04558-06	IC KIA-4558F	1
C652/3	05-63104-01	CHIP 0.1 μ F \pm 10% X7R 0603 SMT	2
C650	05-63682-01	CHIP 6800PF \pm 10% X7R 0603 SMT	1
C656	06-10227-01	E. CAP 220 μ F 10V (\varnothing 6MM MINI)	1
C654/5	06-16107-01	E. CAP 100 μ F 16V (\varnothing 6.3X7MM)	2
C651	06-50225-01	E. CAP 2.2 μ F 50V (\varnothing 4X7MM)	1
R659/60/62	07-63103-00	CHIP RES. 10k Ω \pm 5% 0603 SMT	3
R650~3	07-63124-00	CHIP RES. 120k Ω \pm 5% 0603 SMT	4
R665	07-63220-00	CHIP RES. 22 Ω \pm 5% 0603 SMT	1
R654	07-63222-00	CHIP RES. 2.2k Ω \pm 5% 0603 SMT	1
R655	07-63332-00	CHIP RES. 3.3k Ω \pm 5% 0603 SMT	1
R663	07-63393-00	CHIP RES. 39k Ω \pm 5% 0603 SMT	1
R656~8	07-63473-00	CHIP RES. 47k Ω \pm 5% 0603 SMT	3
R664	07-63563-00	CHIP RES. 56k Ω \pm 5% 0603 SMT	1
CD BOARD ASSY, SDK/CD SERVO BOARD			
IR1,2	01-00812-00	TR. 2SA812	1
IC401	02-00010-01	CHIP DIODE DCC010-TB	2
IC101	02-00144-00	IR LED MIE 144AIMC	2
IC301	03-00408-00	IC KS57C0408	1
IC201	03-0923-00	IC KB9223	1
X1	03-09259-00	IC KA9259D	1

ELECTRICAL PARTS LIST – CONTINUED

Ref. No.	Part No.	Description	Q'ty
TR1	03-09268-00	IC KS9286	1
D1,2	04-00169-00	CRYSTAL HC-49/US 16.9344MHz	1
C27	05-03040-05	CHIP CER 4P 50V J CH TA	1
C28	05-03080-05	CHIP CER 8P 50V J CH TA	1
C20	05-03102-10	CHIP CER 1000P 50V K Y5P TA	1
C2,4,14/6,21/6,30/3	05-03103-10A	CHIP CER 0.01 μ F 50V K Y5P TA	8
C12/3/7,22~4,31/6/7/9,40/4/7~9	05-03104-10A	CHIP CER 0.1 μ F 50V K Y5P TA	15
C5,9	05-03151-10	CHIP CER CAP 150PF	2
C1,6,10	05-03152-10	CHIP CER 1500P 50V K Y5P TA	3
C34/5	05-03200-05B	CHIP CER 20P 50V COG TA \pm 5%	2
C19,38	05-03222-10	CHIP CER 2200P 50V K Y5P TA	2
C7,8	05-03331-10	CHIP CER 330P 50V K Y5P TA	2
C3,11/8,25	05-03333-10B	CHIP CER 0.033 μ F 50V X7R \pm 10%	4
C17	05-03391-10	CHIP CER 390P 50V K Y5P TA	1
C29	05-03472-10A	CHIP CER 4700 50V K Y5P TA	1
C32	05-03473-10	CHIP CER 0.047 μ F 25V K Y5P TA	1
C42/3	05-03561-10A	CHIP CER 560P 50V K Y5P TA	2
C15	05-03683-10	CHIP CER CM21X7R683K25AT	1
EC11/3/5/8	06-10107-01	E. CAP 100 μ F 10V (\emptyset 5X7MM MINI)	4
EC7	06-16106-0106	E. CAP 10 μ F 16V \emptyset 4X7MM	1
EC14	06-16107-01	E. CAP 100 μ F 16V (\emptyset 6.3X7MM)	1
EC2,3	06-16225-01	E. CAP 2.2 μ F 16V (\emptyset 4X7MM)	2
EC1,4	06-16475-03	E. CAP 4.7 μ F 16V (\emptyset 3X5MM)	2
EC16/7	06-50105-01	E. CAP 1 μ F 50V (\emptyset 4X7MM)	2
EC12	06-50105-02	E. CAP 1 μ F 50V (\emptyset 3X5MM)	1
EC5,6,8	06-50474-01	E. CAP 0.47 μ F 50V (\emptyset 4X7MM)	3
R29,43	07-05102-54	CHIP RES. 1k Ω 1/10W	2
R61	07-05103-16	RES. 10k Ω 1/16W	1
R32,33	07-05103-54	CHIP RES. 10k Ω 1/10W	2
R17,19,26,30,52/3	07-05104-54	CHIP RES. 100k Ω 1/10W	6
R14	07-05105-54	CHIP RES. 1M Ω 1/10W	1
R51	07-05121-54	CHIP RES. 120 Ω 1/10W	1
R18,41/2	07-05123-54	CHIP RES. 12k Ω 1/10W	3
R21/4,34	07-05124-54	CHIP RES. 120k Ω 1/10W	3
R23	07-05153-54	CHIP RES. 15k Ω 1/10W	1
R16,31	07-05154-54	CHIP RES. 150k Ω 1/10W	2
R40	07-05164-56B	CHIP RES. 160k Ω 1/16W	2
R62	07-05184-54	CHIP RES. 180k Ω 1/10W	2
R22	07-05220-54	CHIP RES. 22 Ω 1/10W	1
R3,4,11/2,48	07-05223-54	CHIP RES. 22k Ω 1/10W	1
R49,50	07-05224-54	CHIP RES. 220k Ω 1/10W	1
R2	07-05273-54	CHIP RES. 27k Ω 1/10W	5

ELECTRICAL PARTS LIST - CONTINUED

Ref. No.	Part No.	Description	Q'ty
R55,60	07-05332-54	CHIP RES. 3.3kΩ 1/10W	2
R13,27	07-05434-54	CHIP RES. 430kΩ 1/10W	1
R20,47	07-05473-54	CHIP RES. 47kΩ 1/10W	2
R54	07-05562-16A	RES. 5.6kΩ 1/16W (TAPPING)	1
R5~10	07-05562-54	CHIP RES. 5.6kΩ 1/10W	6
R28	07-05564-54	CHIP RES. 560kΩ 1/10W	1
R51	07-05680-54	CHIP RES. 68Ω 1/10W	1
R25	07-05683-54	CHIP RES. 68kΩ 1/10W	1
R39	07-05820-54	CHIP RES. 82Ω 1/10W	1
R15	07-05822-54	CHIP RES. 8.2kΩ 1/10W	1
R46	07-05823-54	CHIP RES. 82kΩ 1/10W	1
R56~9	07-05823-56B	CHIP RES. 82kΩ 1/16W 1.6X0.8 ±1%	4
R55,60	07-63204-01	CHIP RES. 200kΩ ±1% 0603	2
MR10/1	07-63223-00	CHIP RES. 22kΩ ±5% 0603 SMT	2
MR1~9	07-63473-00	CHIP RES. 47kΩ ±5% 0603 SMT	9
X2	09-50500-01	CER FILTER (CSTS0500MG03.5 MHz)	1
L1,2	09-70100-01	MICRO INDUCTOR 10μH AXIAL TYPE	2
	12-13199-630	CDM-131N (99) PCB D/SIDE	1
SW1	16-00111-00	HICRO SW SW-111 (SHIN MEI)	1
PC BOARD ASSY, REMOTE BOARD			
Q500	01-01781-18	TR. 2SD1781K-R "ROHM"	1
LD901	02-00334-00	INFRARED LED Ø3MM MIE-334A4	1
D500~2	02-04148-00	DIODE IN-4148	3
IC500	03-06121-01	IC μPD 6121G-001	1
C504,X2	05-03105-10M	CHIP CAP KC20E1C105M-TS	2
C501/2	05-03121-06	CHIP CAP 120PF (NPO)	2
R501	07-05022-54	CHIP RES. 2.2Ω 1/10W	1
R500	07-05102-54	CHIP RES. 1kΩ 1/10W	1
R502/4~8	07-05104-54	CHIP RES. 100kΩ 1/10W	6
CF501	09-50455-05J	CER RESONATOR ZTB455E	1
	12-04931-819	KB RC06 (049X3.1) D/S 1.2X80X48	1
PC BOARD ASSY, LINEOUT BOARD			
Q601	01-08050-03	TR. 8050C TO-92-B	1
D601	02-04148-00A	DIODE IN-4148 AT. (TAPPING)	1
IC401,602	03-04558-06	IC KIA-4558F	2
C606	06-10227-01	E. CAP 220μF 10V (Ø6MM MINI)	1
C603/11	06-16107-01	E. CAP 100μF 16V (Ø6.3X7MM)	2
C607~10	06-50105-01	E. CAP 1μF 50V (Ø4X7MM)	4
C601/2/4/5	06-50474-01	E. CAP 0.47μF 50V Ø4X7MM	4
R617~24	07-63000-00	CHIP RES. 0Ω 0603 SMT	8
R609	07-63101-00	CHIP RES. 100Ω ±5% 0603 SMT	1
R601/5,612/5	07-63103-00	CHIP RES. 10kΩ ±5% 0603 SMT	4

ELECTRICAL PARTS LIST - CONTINUED

Ref. No.	Part No.	Description	Q'ty
R607	07-63223-00	CHIP RES. 22k Ω \pm 5% 0603 SMT	1
R608	07-63273-00	CHIP RES. 27k Ω \pm 5% 0603 SMT	1
R603/4,610/3/4	07-63473-00	CHIP RES. 47k Ω \pm 5% 0603 SMT	5
R602/6,611/6	07-63822-00	CHIP RES. 8.2k Ω \pm 5% 0603 SMT	4
PC BOARD ASSY, TONE BOARD			
Q591/2	01-01623-00	CHIP TR. C1623 "NEC"	2
D414	02-04148-00A	DIODE IN-4148 AT. (TAPPING)	1
C592/3	05-03105-10M	CHIP CAP KC20E1C105M-TS	2
C227/8	05-63681-00	CHIP 680PF \pm 5% NPO 0603 SMT	2
C591	06-10107-01	E. CAP 100 μ F 10V (\varnothing 5X7MM MINI)	1
C527/8	06-50105-01	E. CAP 1 μ F 50V (\varnothing 4X7MM)	2
C523/4	06-50225-01	E. CAP 2.2 μ F 50V (\varnothing 4X7MM)	2
R593/6/9	07-63102-00	CHIP RES. 1k Ω \pm 5% 0603 SMT	3
R534/7,597/8	07-63103-00	CHIP RES. 10k Ω \pm 5% 0603 SMT	4
R517/8	07-63223-00	CHIP RES. 22k Ω \pm 5% 0603 SMT	2
R592/4	07-63334-00	CHIP RES. 330k Ω	2
R591/5	07-63471-00	CHIP RES. 470 Ω \pm 5% 0603 SMT	2
R533/6	07-63822-00	CHIP RES. 8.2k Ω \pm 5% 0603 SMT	2
CDJ	16-00035-04	\varnothing 3.5MM JACK (4PIN) W/SW	1
TV IN	20-20200-10A	DOUBLE RCA 200MM BLACK W/C	1
PC BOARD ASSY, JB/GIB BOARD			
Z701	02-50068-00	ZENER DIODE 6.8V 0.5W	1
IC701	03-03121-19	IC BA3121N	1
C704	06-16106-01	E. CAP 10 μ F 16V \varnothing 4X7MM	1
C703	06-16107-01	E. CAP 100 μ F 16V (\varnothing 6.3X7MM)	1
C701/2/5/6	06-16225-01	E. CAP 2.2 μ F 16V \varnothing 4X7	4
C707	06-16226-01	E. CAP 22 μ F 16V (\varnothing 4X7MM)	1
R701/10	07-63101-00	CHIP RES. 100 Ω \pm 5% 0603 SMT	2
R709	07-63220-00	CHIP RES. 22 Ω \pm 5% 0603 SMT	1
R707/8	07-63273-00	CHIP RES. 27k Ω \pm 5% 0603 SMT	2
R705/6	07-63473-00	CHIP RES. 47k Ω \pm 5% 0603 SMT	2
CDC SOCKET	25-D0802-00	8PIN DIN SOCKET SKDS-08-02	1

SPECIFICATIONS

T. H. D	Less than 0.35%
Signal to Noise Ratio	More than 55 dB
Channel Separation	More than 50 dB
Frequency Response	20Hz - 20kHz (CD Player)
Frequency Response	50Hz - 8kHz (Cassette Player)
Stereo separating (FM)	30 dB (at 1kHz)
Signal to noise ratio (FM)	Better than 50 dB
Output power	4 X 40W
Speaker output impedance	4 To 8 ohm
Power source	DC 12V, Negative ground.
Frequency range	FM 87.5 - 108 MHz
	MW 522 - 1620 kHz
	LW 144 - 288 kHz
Sensitivity	FM 3 μ V (S/N=30dB)
	MW 32 dB μ (S/N=20 dB)
	LW 35 dB μ (S/N=20 dB)

Specifications are subject to change without notice.