



AKAI

CD/MP3/USB/RDS-RECIVER

Models:
ACR-129MMU

SERVICE MANUAL

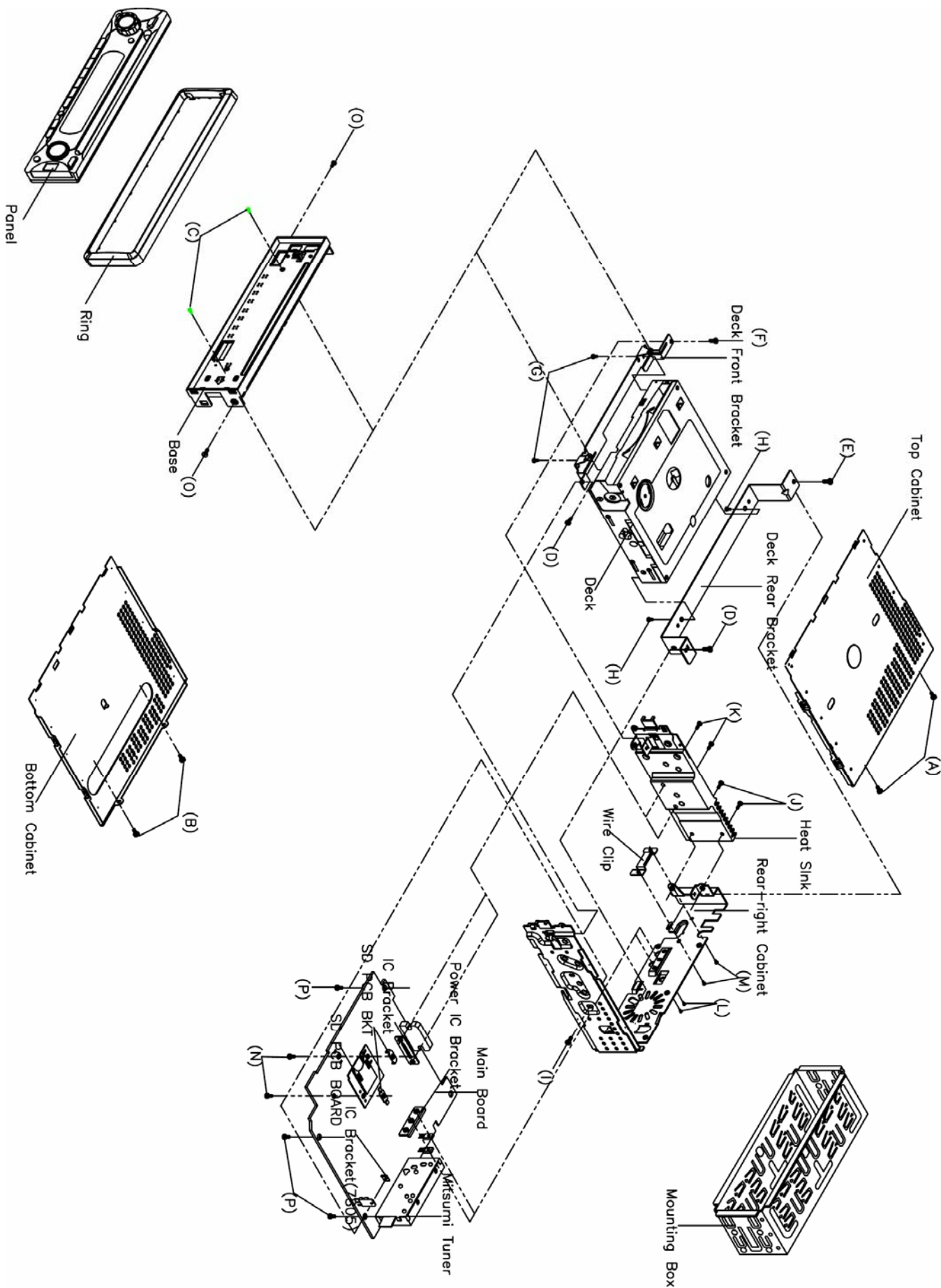
CONTENTS

| | Page |
|-------------------------------------------|-------------|
| Disassembly Instructions | 3 |
| Disassembly Diagram | 4 |
| Operation Check | 5 |
| Block Diagram | 6 |
| Alignment Locations | 7 |
| Alignment Procedures | 8 |
| Printed Circuit Boards | 9 |
| Exploded Views (Panel) | 16 |
| Exploded View Parts Lists (Panel) | 17 |
| Exploded Views (Cabinet) | 18 |
| Exploded View Parts Lists (Cabinet) | 19 |
| Exploded Views (Deck) | 20 |
| Exploded View Parts Lists (Deck) | 21 |
| Schematic Diagram | 23 |
| Electrical Parts List | 26 |
| Specifications | 33 |

DISASSEMBLY INSTRUCTIONS

1. Using the unlock key that came with the unit or a similar tool, unlock the Mounting Box and remove toward the rear of the unit.
2. Remove two screws (A) located on the rear of the top cabinet then remove the Top Cabinet.
3. Remove two screws (B) located on the rear of the bottom cabinet then remove the Bottom Cabinet.
4. Take out the Front Panel and the Ring.
Remove two screws (C) from on the front side of the Base.
5. Remove two screws (D) from on the right side of the Rear-right Cabinet.
Remove the screw (E) from on the left side of the Rear-right Cabinet and the screw (F) on the right side of the heat sink.
6. Remove two screws (G) from under the deck front bracket then remove the Deck Front Bracket.
Remove two screws (H) from under the deck rear bracket then remove the Deck Rear Bracket and the Deck.
7. Remove two screws (I) from on the back of the Rear-right Cabinet then remove the IC Bracket (7805).
8. Remove two screws (J) from on the left side of the heat sink.
9. Remove two screws (K) from on the left side of the heat sink then remove the IC Bracket.
10. Remove two screws (L) from on the rear side of Rear-right Cabinet then remove the Power IC Bracket.
11. Remove the screw (M) from on the back of the side bracket then remove Wire Clip.
12. Remove two screws (N) from under the main board then remove two SD PCB Brackets and the SD Card PCB Board.
13. Remove two screws (O) from each side of the base then remove the Base.
14. Remove three screws (P) from under the main board then remove the Heat Sink, Rear-right Cabinet and the Main Board.

DISASSEMBLY DIAGRAM



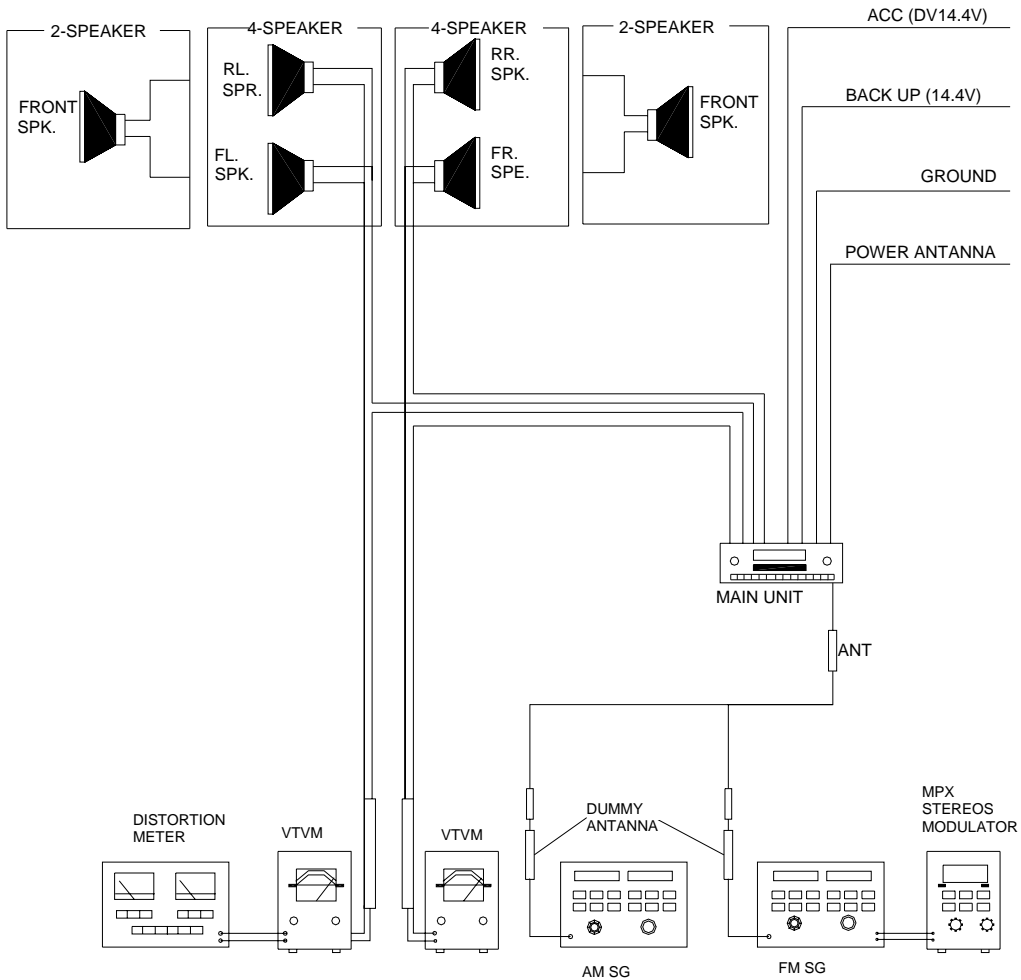
OPERATION CHECK

GENERAL SPECIFICATIONS OF SIGNAL

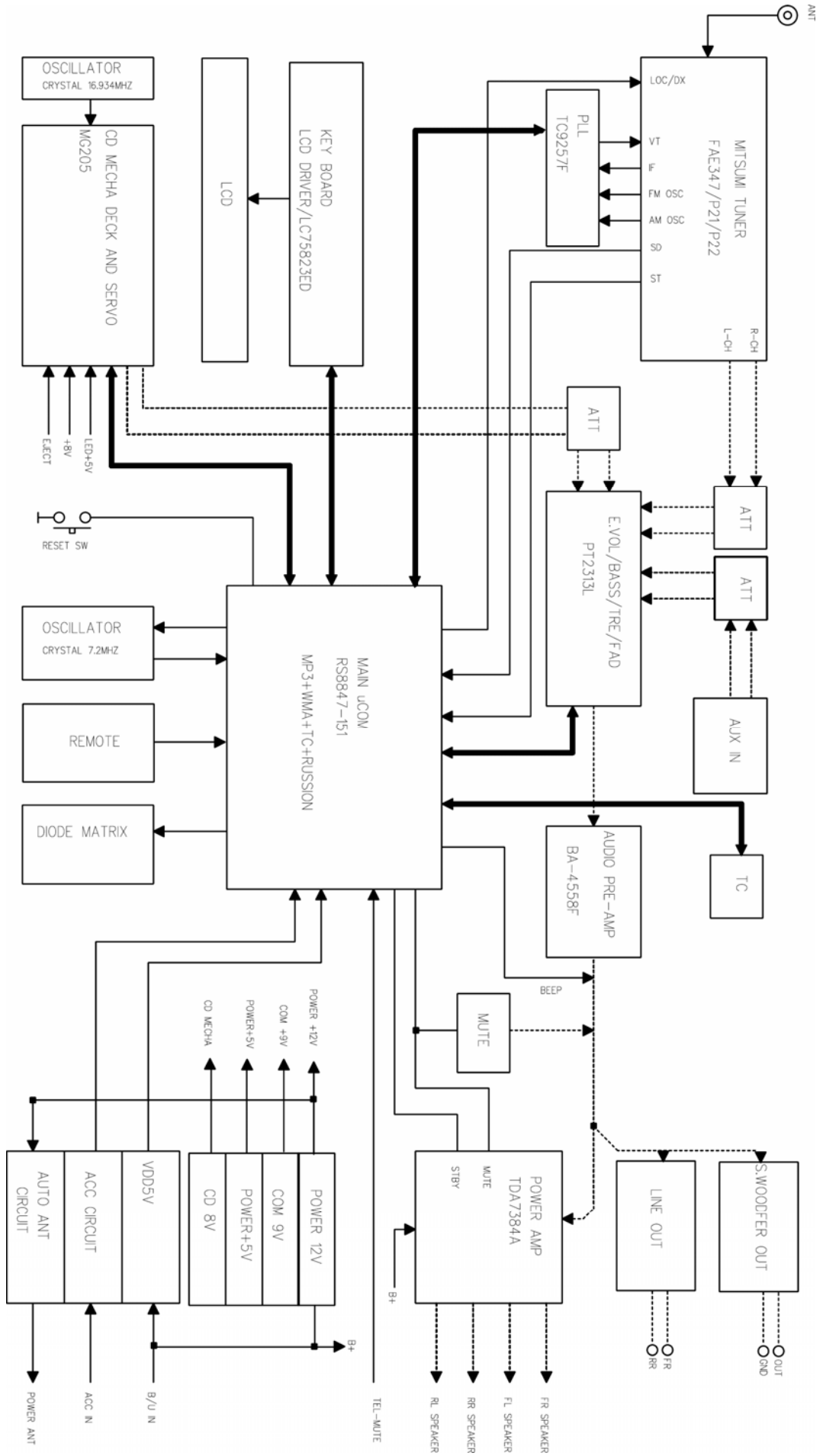
| | | | |
|----------------------|-----------|-----------------------------------------------|-------------------|
| Standard frequency | FM | 98.1 MHz (65.0, 74.0MHz) | (87.5, 107.9 MHz) |
| | MW | 1000 kHz (530, 1710 kHz) | |
| Signal output | FM | 1mV | |
| | MW | 5 mV | |
| Modulation | MW | 400 Hz | 30% MOD. |
| | FM Stereo | 1 kHz | 75kHz DEV. |
| | | | |
| AF output level | FM/MW | | |
| Power source voltage | | DC 14.0V (Backup voltage is the same as this) | |
| AF load impedance | | 4 ohm pure resistance | |
| Balance | | Center position of level | |
| Tone | | Center position | |

The signal strength read in this section is voltage on the antenna.

Test Diagram

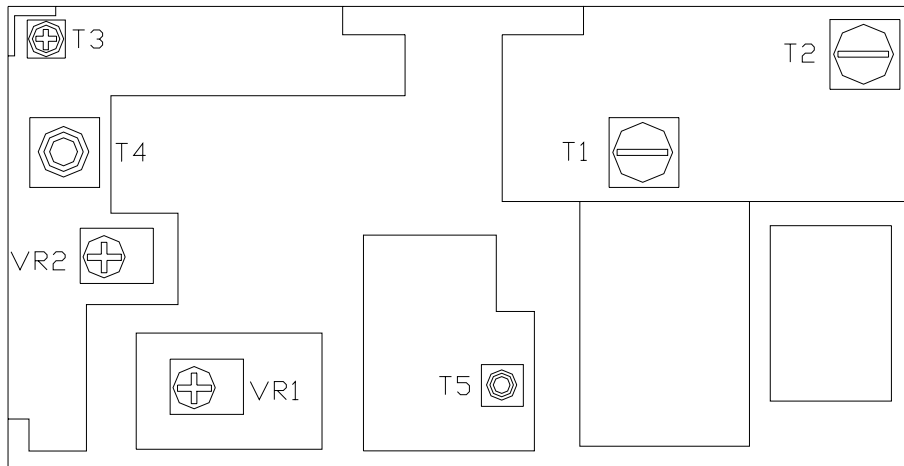


BLOCK DIAGRAM



ALIGNMENT LOCATIONS

MITSUMI BOARD



ALIGNMENT PROCEDURES

FM ADJUSTMENT

Equipment Required

- AM IF/RF signal generator
- Solid-state voltmeter (SSVM)
- Regulated DC power supply
- 2-CH voltmeter
- Distortion meter

FM Alignment Using FM Signal Generator

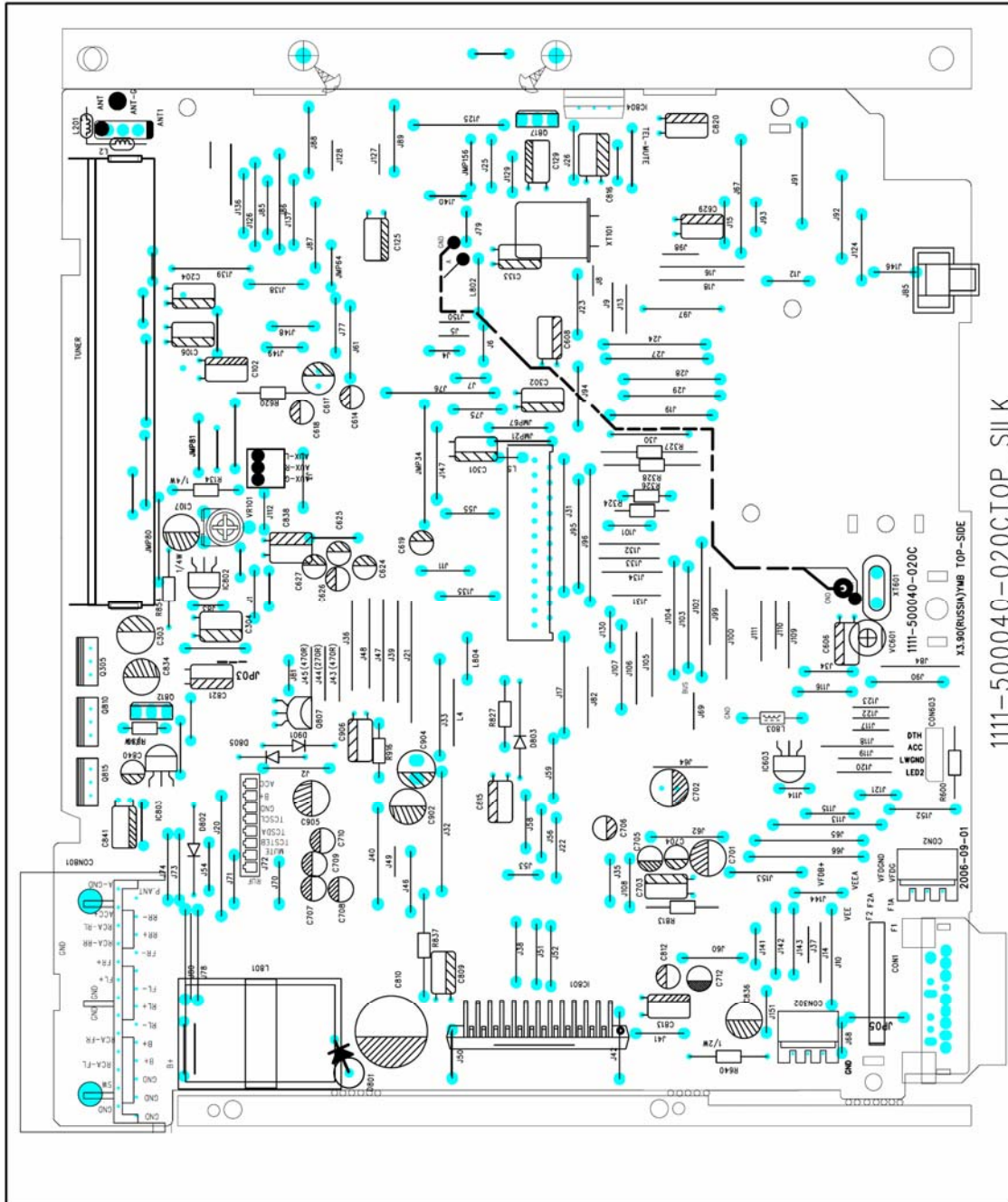
Note: Press the radio power switch to on the radio. Signal generator output must be kept as low as possible to avoid overload and clipping.

| Step | Generator Coupling | Generator | Display Setting | Adjustment | Remarks |
|--------------------------|--------------------------------------------------------------------------|---------------------------------------------------------------------|-----------------|------------|--------------------------------------------------------------|
| Stereo Separation | Signal Generator to antenna receptacle | 98.1 MHz Int. 1 kHz Dev. 75 kHz L+R = 90 % Pilot = 10 % | 98.1 MHz | VR1 | Adjust AF output power at maximum separating more than 30 dB |
| FM SNC Adjustment | 98.1 MHz Dev. 75 kHz L+R=90 % Int. 1 kHz 60dB μ V output | 98.1 MHz @ 40 dB μ | 98.1 MHz | VR2 | Stereo Separation 25 dB (\pm 5 dB) |
| Stop SENS. | Signal Generator to antenna receptacle | 98.1 MHz Mod. 1kHz Dev 75kHz | 98.1 MHz | VR3 | Adjust AF to stop station. |

Note: The tuner module is well-adjust and adjustment is not recommended.

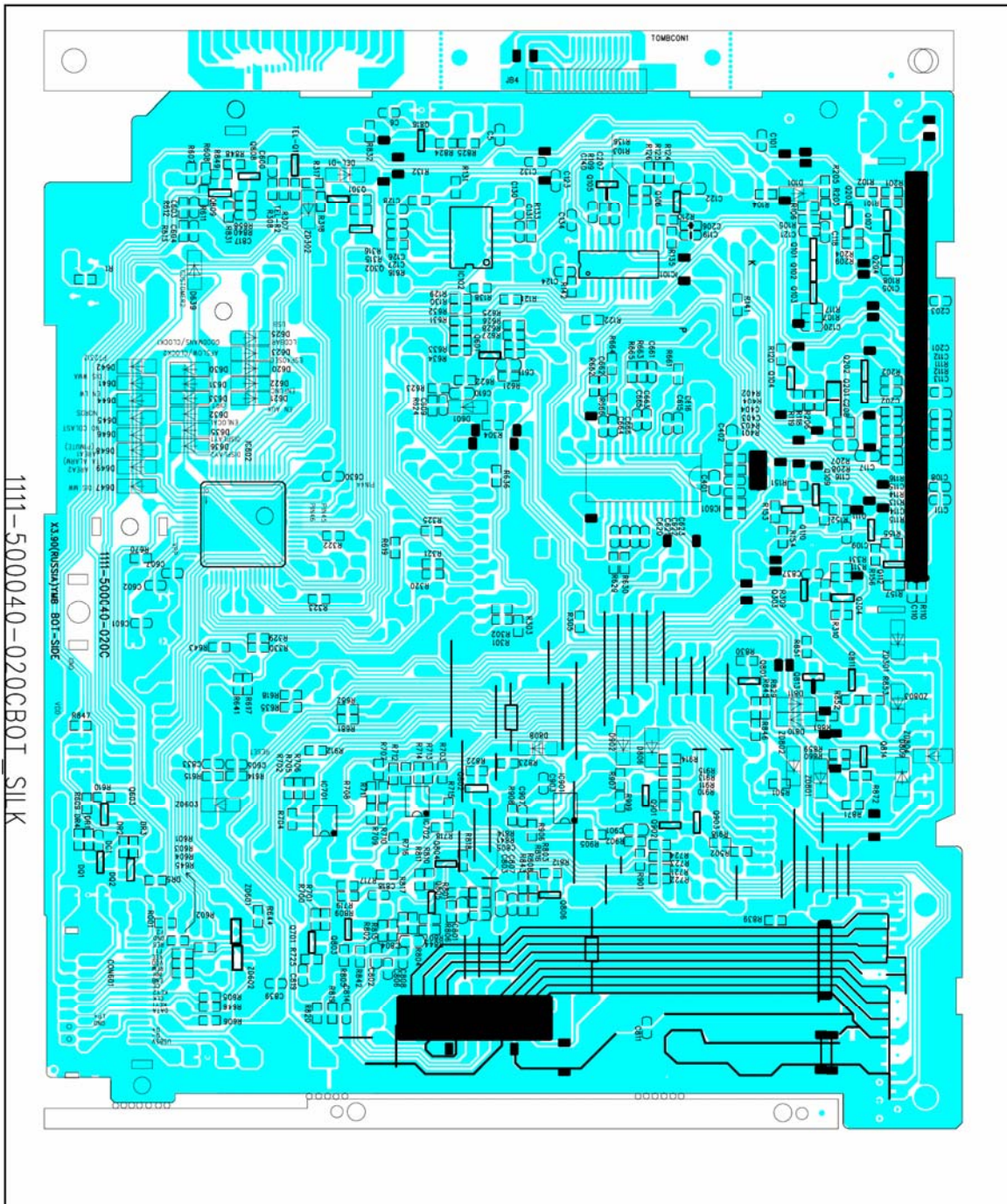
PRINTED CIRCUIT BOARDS

MAIN BOARD



TOP VIEW

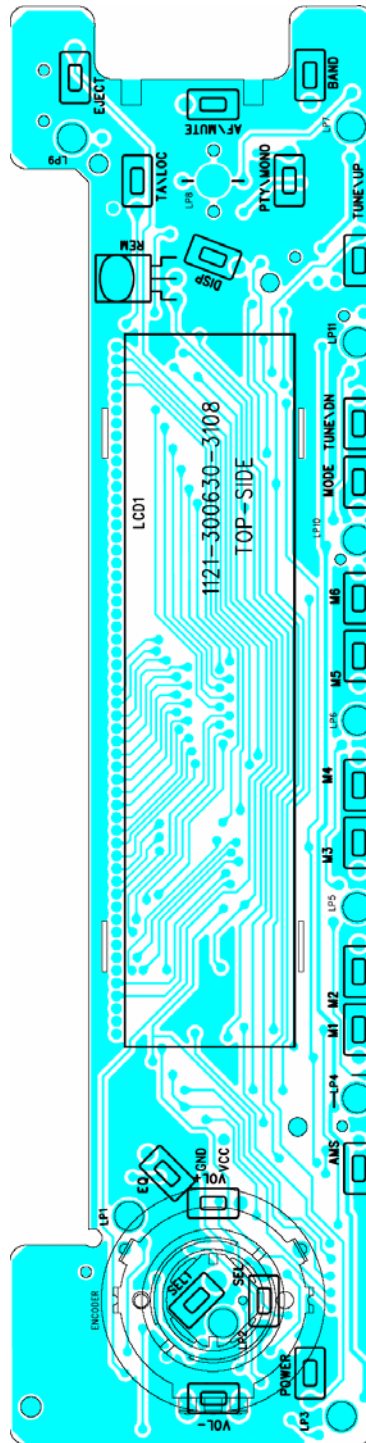
MAIN BOARD



1111-500040-020C BOT-SIDE
X1390(RISSA)TYPE: BOT-SIDE

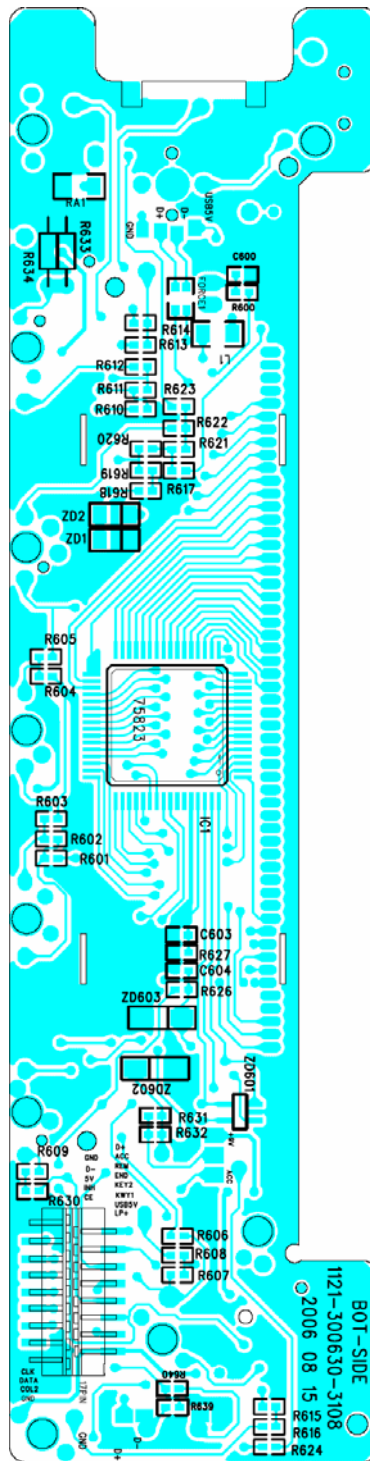
BOTTOM VIEW

KEY BOARD



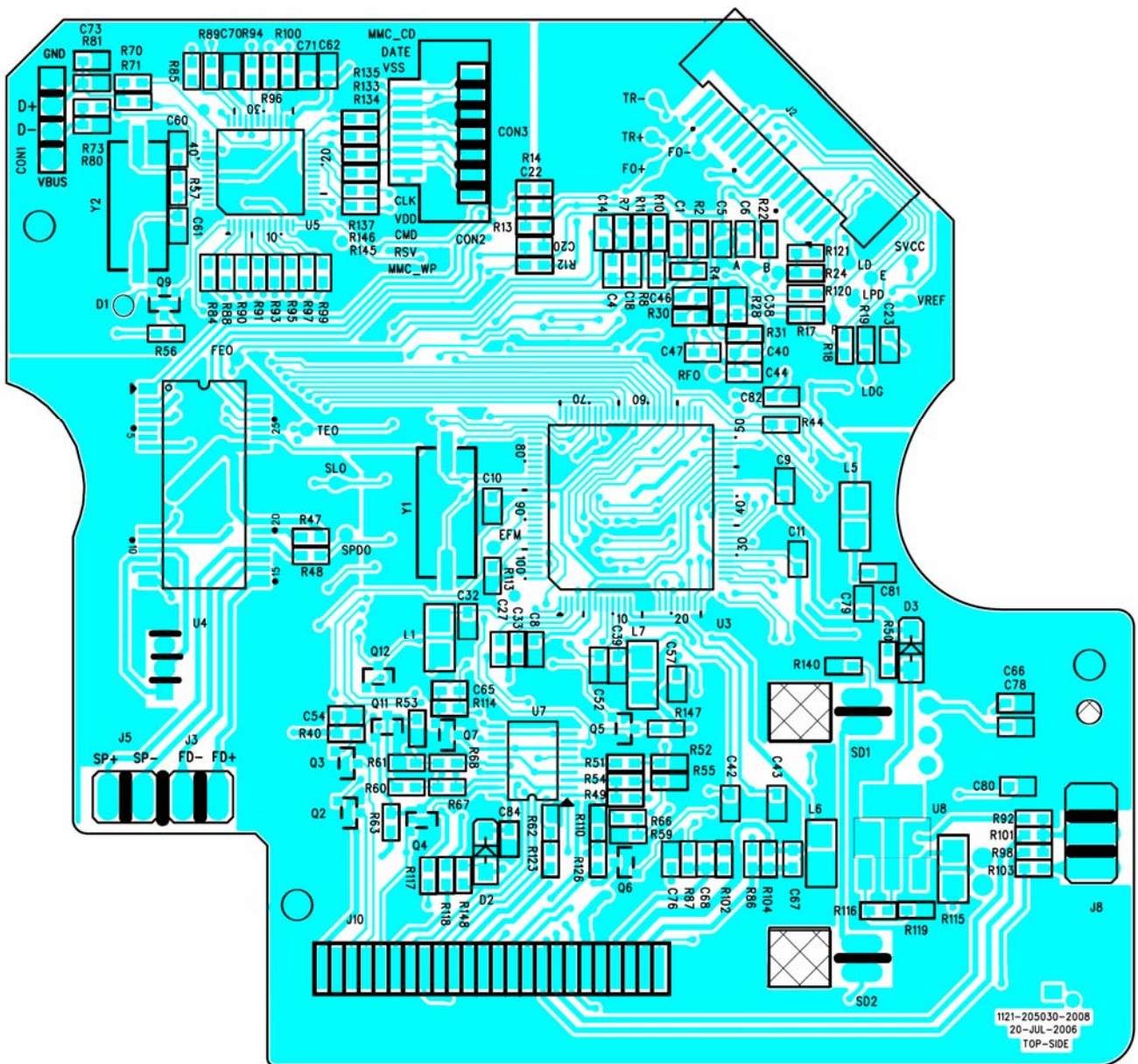
TOP VIEW

KEY BOARD



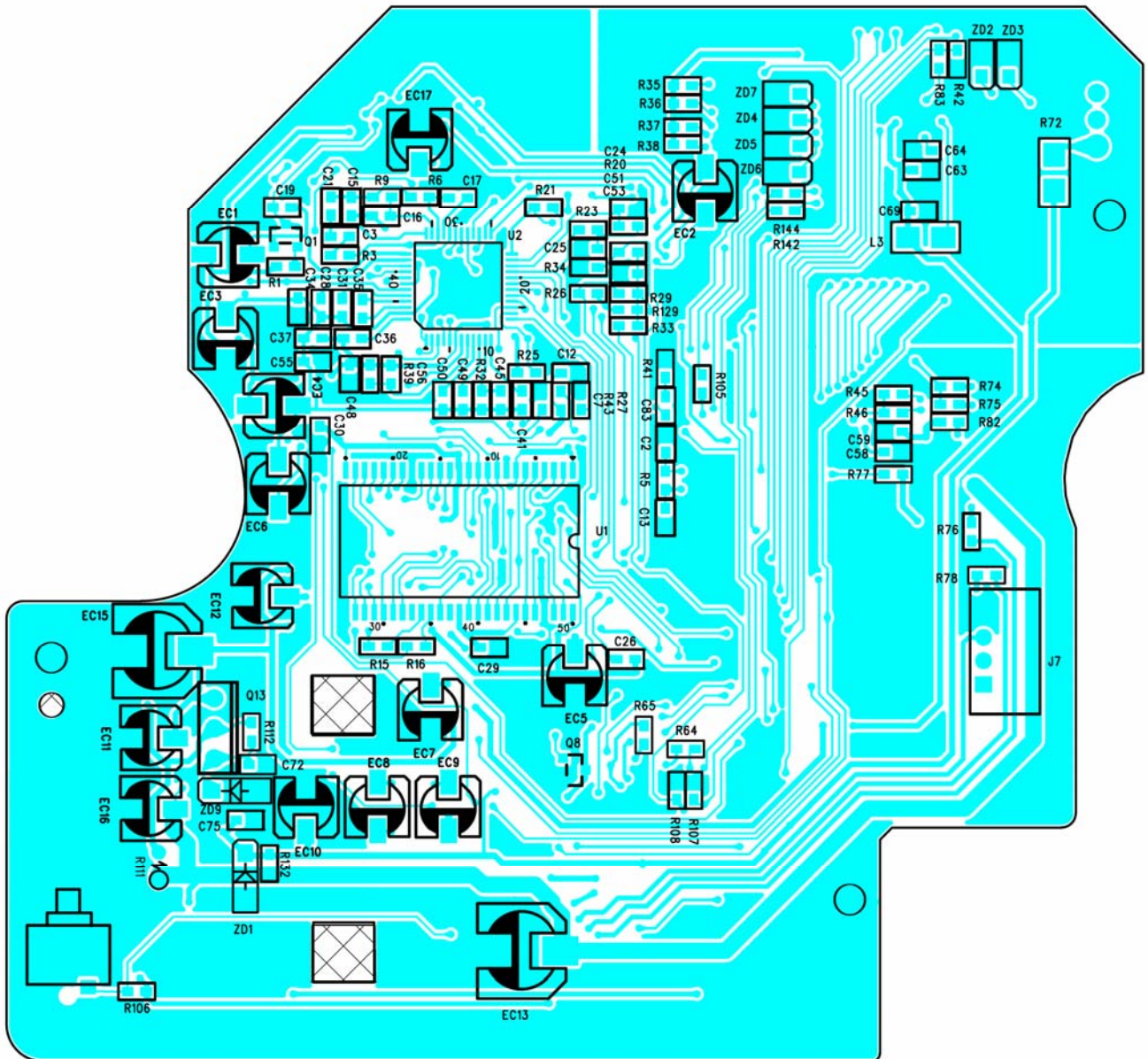
BOTTOM VIEW

CD SERVO BOARD



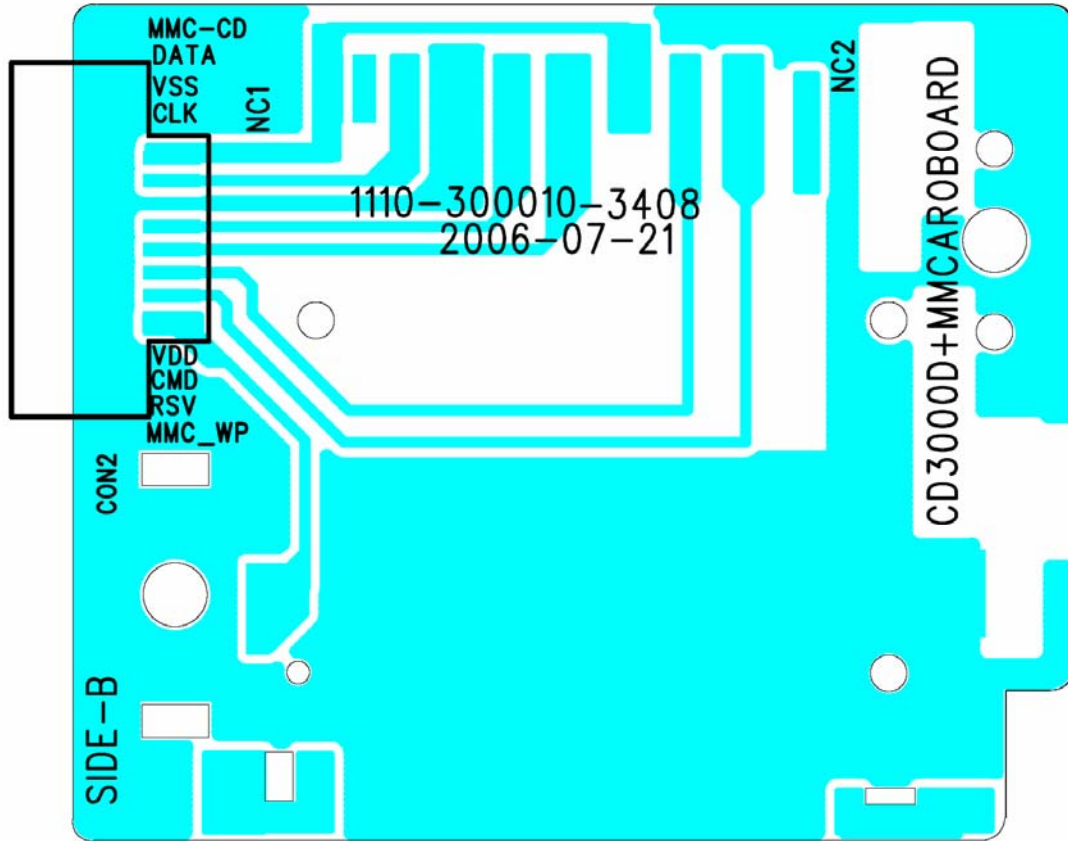
TOP VIEW

CD SERVO BOARD



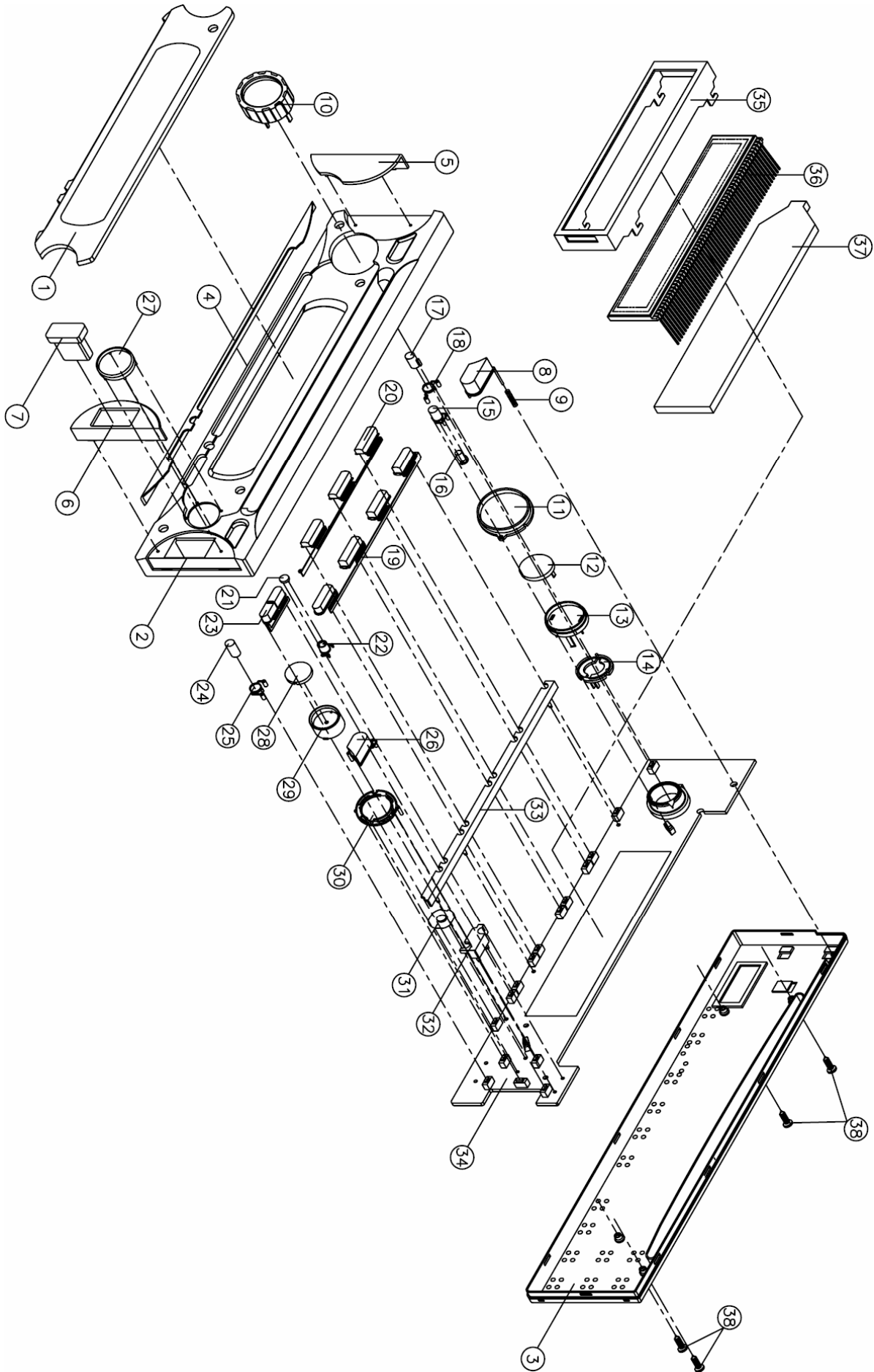
BOTTOM VIEW

SD/MMC CARD BOARD



EXPLODED VIEW

PANEL



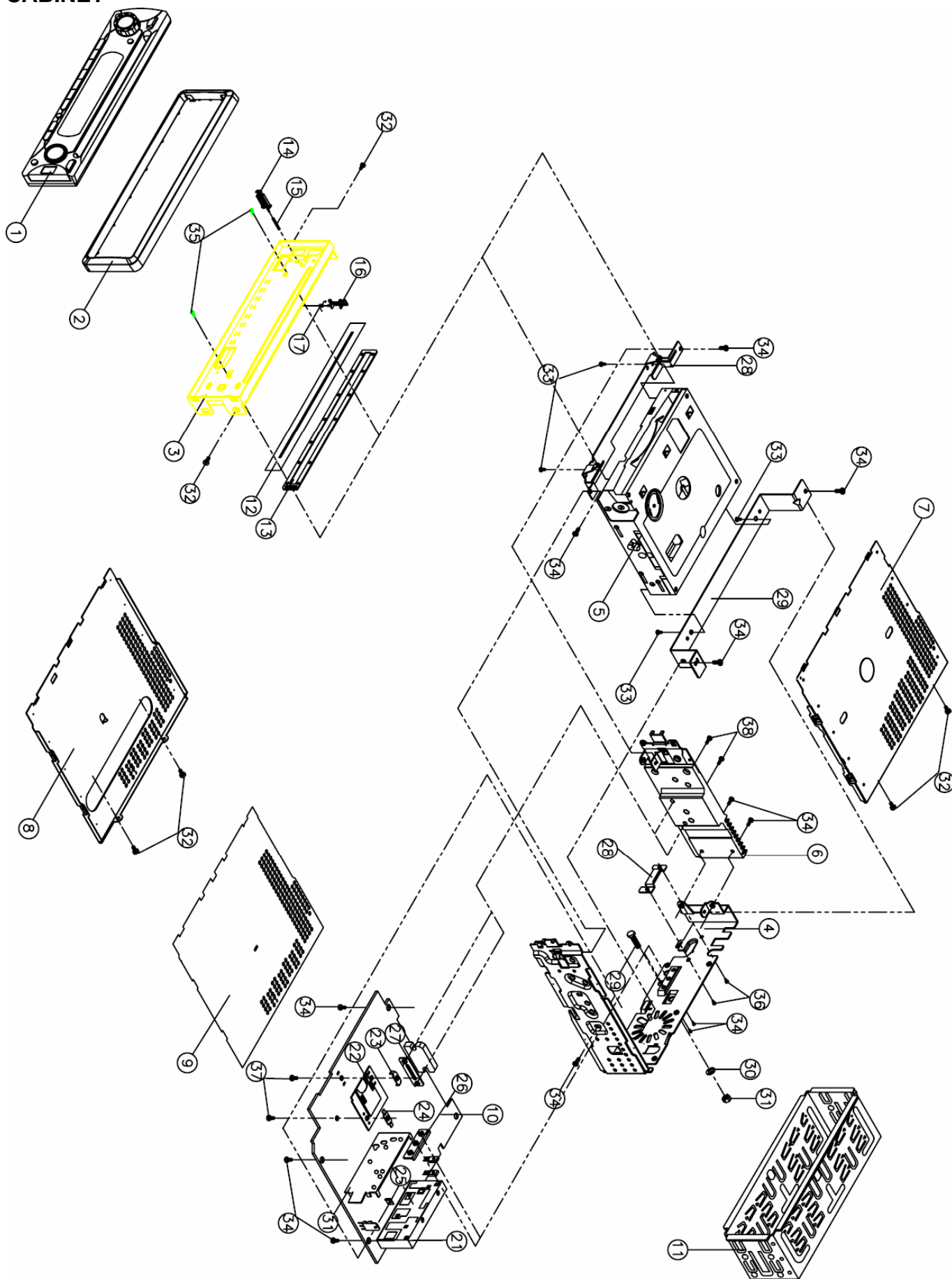
EXPLODED VIEW PARTS LIST

PANEL

| Ref. No. | Description | RS Part No. | Mfr's Part No. |
|----------|------------------------------------------------------------|-------------|------------------|
| 1 | Lens(S.N0000/WHT)DX3.82.25N/SW/IR(AKAI ACR-129MMU) ROHS | | 5300-0J2060-356 |
| 2 | T. Panel (S. N0000/WHT) X3.18.9 ROHS | | 5100-0J2021-32W |
| 3 | Panel Bottom ROHS | | 5100-0C2522-00 |
| 4 | Decorate B (S. N0000) ROHS | | 5200-0J2039-30 |
| 5 | Left Decorate A (S. N0000) ROHS | | 5200-0J2038-30 |
| 6 | USB Decorate D (S. N0000/WHT) ROHS | | 5200-0J2040-31W |
| 7 | USB Cover (Black) ROHS | | 5200-0J2063-00 |
| 8 | Release (S. N0000) ROHS | | 5200-0J2035-30 |
| 9 | "Open" Spring ROHS | | 3600-040205-00 |
| 10 | SEL Base (S.N1204) ROHS | | 5200-0J2037-80 |
| 11 | Decorate For Volume(Crystal/Blue) ROHS | | 5200-0J2058-70 |
| 12 | SEL (L-UP)(S.N0000)ROHS | | 5200-0J2029-01 |
| 13 | SEL Knob (Crystal/Blue) ROHS | | 5200-0J2057-70 |
| 14 | STOPPER For SEL ROHS | | 5200-0J2056-00 |
| 15 | EQ (L-Up) (S. N0000) ROHS | | 5200-0J2022-01 |
| 16 | Adaptor For EQ ROHS | | 5200-0J2053-00 |
| 17 | Power (Crystal/blue PMS291C)ROHS | | 5200-0J2051-71B |
| 18 | Adaptor For PWR ROHS | | 5200-0J2033-00 |
| 19 | AS/PS/2SCN/4SHF/6(L-UP)(S.N0000) ROHS | | 5200-0J2025-02 |
| 20 | 1PAU/3RPT/5(L0UP)(S.N0000) ROHS | | 5200-0J2026-02 |
| 21 | MD (L-Up) (S. N0000) ROHS | | 5200-0J2030-01 |
| 22 | MD Knob (Crystal/Blue) ROHS | | 5200-0J2052-70 |
| 23 | TUN/TRK (L-Up) (S. N0000) ROHS | | 5200-0J2024-01 |
| 24 | BND(Crystal/Blue PMS291C)ROHS | | 5200-0J2051-72B |
| 25 | Adaptor For BND ROHS | | 5200-0J2032-00 |
| 26 | EJ (L-Up) (S.N0000) ROHS | | 5200-0J2021-01 |
| 27 | Decorated Ring (S. N0000) ROHS | | 5200-0J2036-80 |
| 28 | LOC/MON/DSP/MUT(L-UP)(S.N0000)ROHS | | 5200-0J2027-02 |
| 29 | 4D Knob (Clear/Blue) ROHS | | 5200-0J2054-70 |
| 30 | Adaptor For 4D ROHS | | 5200-0J2034-00 |
| 31 | B-L For 4D ROHS | | 5200-0J2055-00 |
| 32 | B-L For CD-Mouth ROHS | | 5200-0J2023-00 |
| 33 | B-L For Main Key ROHS | | 5200-0J2062-00 |
| 34 | Key Board | | 1121-300630-3108 |
| 35 | LCD Bracket Real (E) ROHS | | 3900-0E2004-00 |
| 36 | CD3001 LCD TN NEG Color Black Mask 22X84 PIN ROHS | | 2700-300200-110Y |
| 37 | CD1007 B. Light /White ROHS | | 0200-001007-09 |
| 38 | Screw Ø2X8 BA/ST Black ROHS | | 4000-012008-21 |

EXPLODED VIEW

CABINET

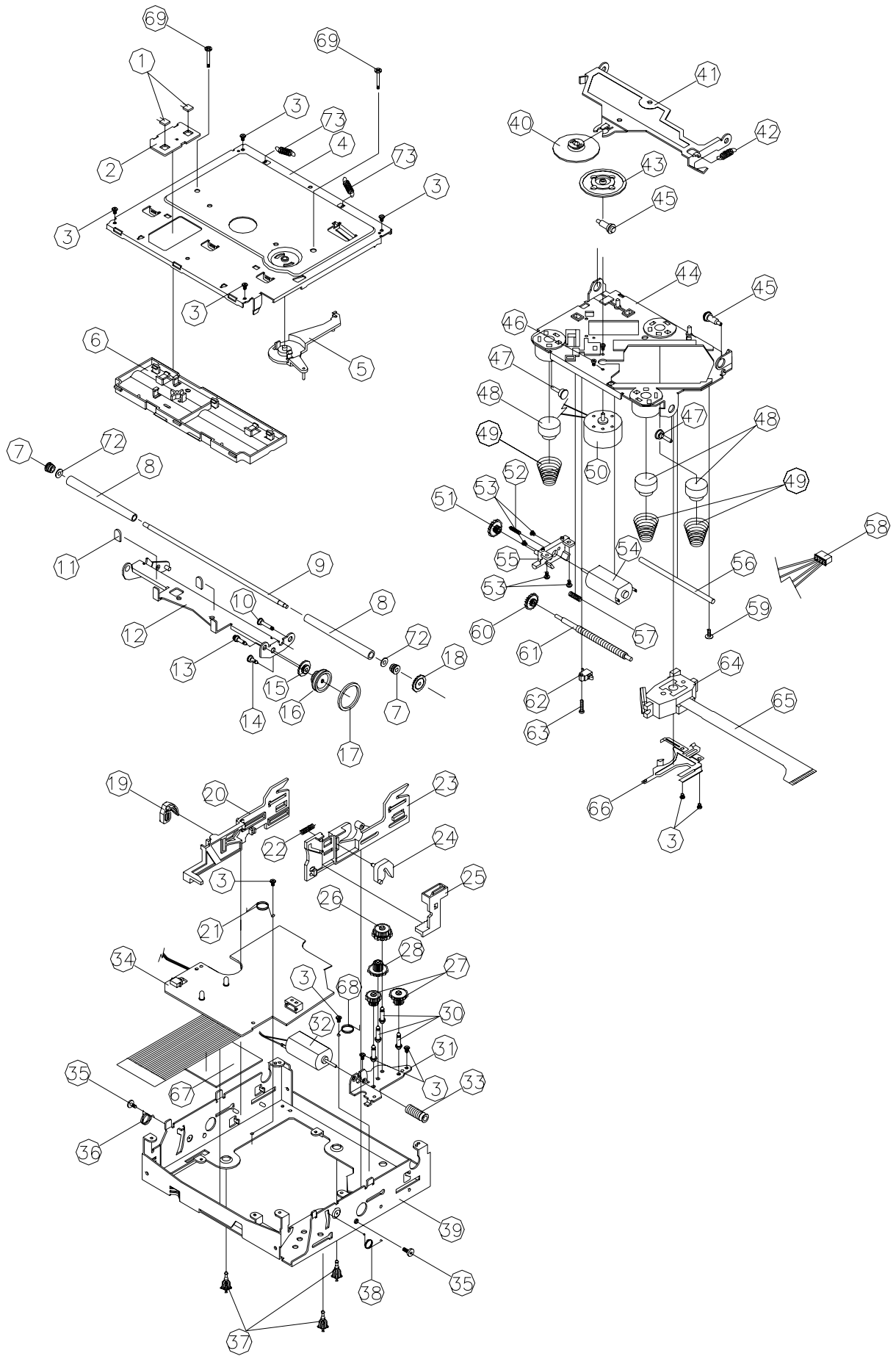


EXPLODED VIEW PARTS LIST

CABINET

| Ref. No. | Description | RS Part No. | Mfr's Part No. |
|----------|----------------------------------------------------|-------------|------------------|
| 1 | Panel | | |
| 2 | Ring/ABS + SPY (S .N0000) ROHS | | 5100-0E2022-30 |
| 3 | Base (E) (MMC+SD) ROHS | | 5100-0E2028-00 |
| 4 | Rear-right Cabinet W/Spring For CD-wire ROHS | | 6100-300002-002 |
| 5 | CD MECH. MG205 (205) ROHS | | 9400-002050-01 |
| 6 | Left Cabinet-heat Sink W/Spring ROHS | | 6100-300004-003 |
| 7 | Top Cabinet ROHS | | 6100-300001-000 |
| 8 | Bottom Cabinet ROHS | | 6100-300002-000 |
| 9 | Main Fiber ROHS | | 3500-300001-000 |
| 10 | Main Board | | 1111-500040-020C |
| 11 | Mounting Box ROHS | | 6100-300005-000 |
| 12 | Shade ROHS | | 8100-069005-03 |
| 13 | CD Windows Sheet ROHS | | 4300-0A3103-00 |
| 14 | Lock Panel Knob ROHS | | 5200-0E2041-00 |
| 15 | Spring For EJ Panel CD300 ROHS | | 3600-0E2001-00 |
| 16 | Hook Knob ROHS | | 5200-0E2040-01 |
| 17 | Spring For Hook Knob CD300 ROHS | | 3600-0E2002-00 |
| 18 | Deck Front Bracket (Detachable) ROHS | | 3900-300001-000 |
| 19 | Deck Rear Bracket for CD ROHS | | 3900-300002-000 |
| 20 | FM Cover ROHS | | 3900-0W2001-00 |
| 21 | M.FAE347/P21/P22 East Furepe 1 Pack 65-108MHJ ROHS | | 2900-000347-03 |
| 22 | SD+MMC CARD Board | | 1111-300010-3408 |
| 23 | PCB Bracket (GOODMANS) ROHS | | 3900-0B0110-00 |
| 24 | SD PCB Bracket ROHS | | 3900-0E2013-00 |
| 25 | IC Bracket (7805) ROHS | | 3900-0C1817-00 |
| 26 | Power IC Bracket ROHS | | 3900-300006-000 |
| 27 | IC Bracket For Regulator ROHS | | 3900-300007-000 |
| 28 | Wire Clip 1.0MM ROHS | | 3900-0B1415-00 |
| 29 | Screw Ø5X18 HH ROHS | | 4000-005018-04 |
| 30 | Spring Washer M5 ROHS | | 3500-050001-00 |
| 31 | Hexagon Nut M5 ROHS | | 3500-040005-00 |
| 32 | Screw Ø2.6 X 4 BH/MS ROHS | | 4000-002604-01 |
| 33 | Screw Ø2.6 X 5 BH/TAPTITE ROHS | | 4000-002605-03 |
| 34 | Screw Ø2.6 X 6 BH/MS ROHS | | 4000-002606-01 |
| 35 | Screw Ø2.6 X 6 BH/MS Black ROHS | | 4000-012606-01 |
| 36 | Screw Ø2.6 X 8 BH/MS ROHS | | 4000-002608-01 |
| 37 | Screw Ø2.6 X 10 BH/MS ROHS | | 4000-002606-00 |
| 38 | Screw M2.6 X 20 PH/MS ROHS | | 4000-002620-00 |

EXPLODED VIEW (DECK)



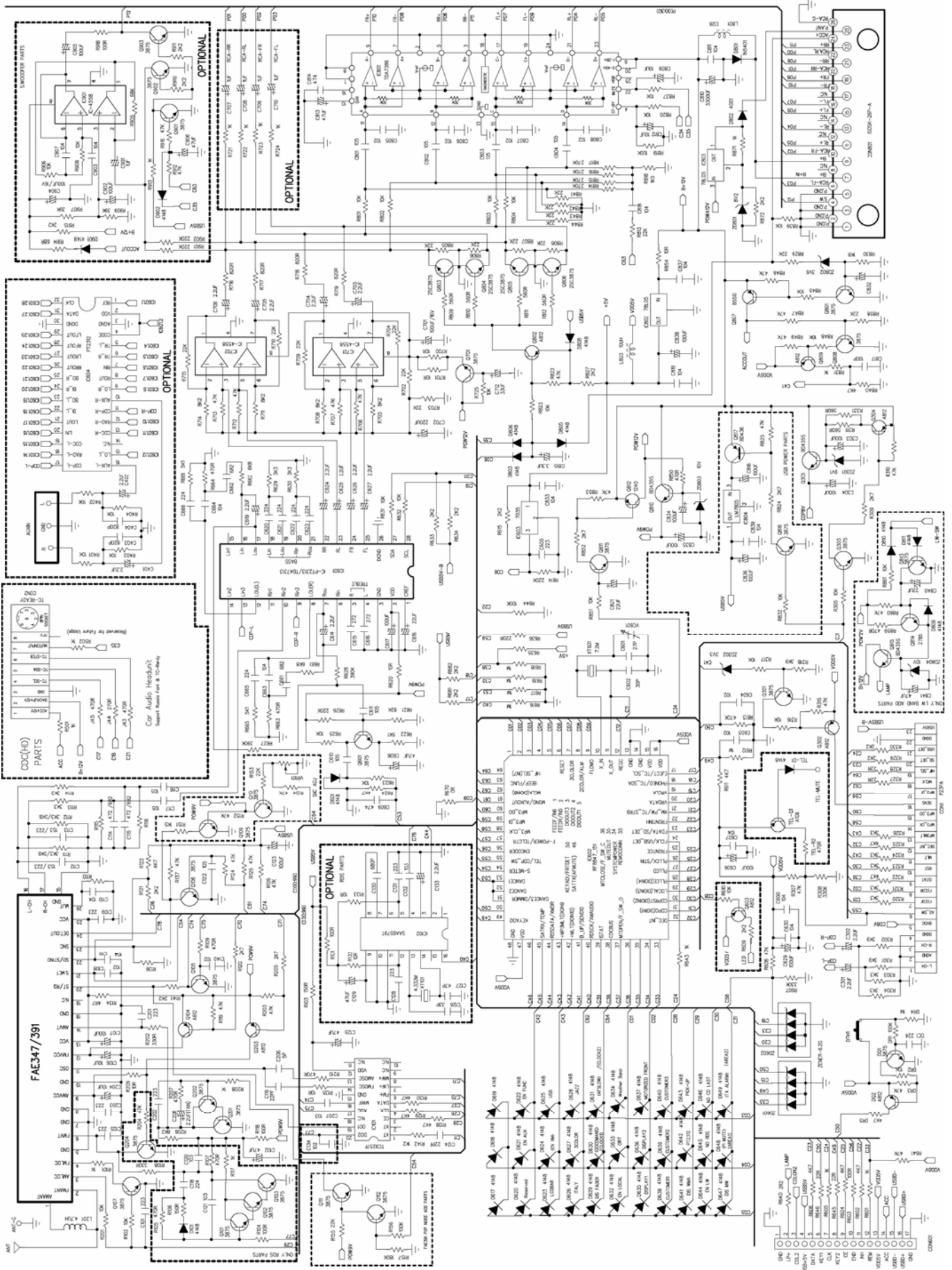
EXPLODED VIEW PARTS LIST (DECK)

| Ref. No. | Description | Parts No. | Q'ty |
|----------|----------------|-------------------|------|
| 1 | SENSOR | ST-23G | 2 |
| 2 | SENSOR PCB | FR | 1 |
| 3 | SCREW | CA/H 0" TT 2*3 | 12 |
| 4 | COVER-UPPER | SECC T1.0 | 1 |
| 5 | LEVER DISC | POM (F20-03) | 1 |
| 6 | GUIDE UP | POM (F20-03) | 1 |
| 7 | BUSHING ROLLER | POM (F20-03) | 2 |
| 8 | ROLLER DISC | SLICON | 2 |
| 9 | SHAFT ROLLER | SUS 303 | 1 |
| 10 | PIN ROLLER | SUM24L-NI (PLATE) | 1 |
| 11 | PVC CAP | PVC | 2 |
| 12 | B/K ROLLER | SECC T1.0 | 1 |
| 13 | PIN PULLEY | SUM24L-NI (PLATE) | 1 |
| 14 | PIN IDLE | SUM24L-NI (PLATE) | 1 |
| 15 | GEAR IDLE | POM (F20-03) | 1 |
| 16 | GEAR PULLEY | POM (F20-03) | 1 |
| 17 | BELT PULLEY | CR-WRT | 1 |
| 18 | GEAR ROLLEY | POM (F20-03) | 1 |
| 19 | LOCKER (L) | POM (F20-03) | 1 |
| 20 | CAM (L) | POM (F20-03) | 1 |
| 21 | S/P CAM (L) | SUS304WPB | 1 |
| 22 | S/P RACK | SUS304WPB | 1 |
| 23 | CAM (R) | POM (F20-03) | 1 |
| 24 | LOCKER ® | POM (F20-03) | 1 |
| 25 | GEAR RACK | POM (F20-03) | 1 |
| 26 | GEAR LOAD © | POM (F20-03) | 1 |
| 27 | GEAR LOAD (D) | POM (F20-03) | 1 |
| 28 | GEAR LOAD (B) | POM (F20-03) | 1 |
| 29 | GEAR LOAD (A) | POM (F20-03) | 1 |
| 30 | PIN LOAD | SUM24L-NI (PLATE) | 4 |
| 31 | B/K GEAR | SECC T1.0 | 1 |
| 32 | MOTOR | FF-050SH-11190 | 1 |
| 33 | GEAR WORM | POM (F20-03) | 1 |
| 34 | SERVO PCB ASSY | GLASS EPOXY 1.2T | 1 |
| 35 | SPECIAL SCREW | P/H TTS 2*2 | 4 |
| 36 | S/P RO (L) | SUS304WPB | 1 |
| 37 | SUPPORT DAMPER | POM (F20-03) | 3 |
| 38 | S/P RO ® | SUS304WPB | 1 |
| 39 | CHASSIS MAIN | SEEC T1.0 | 1 |

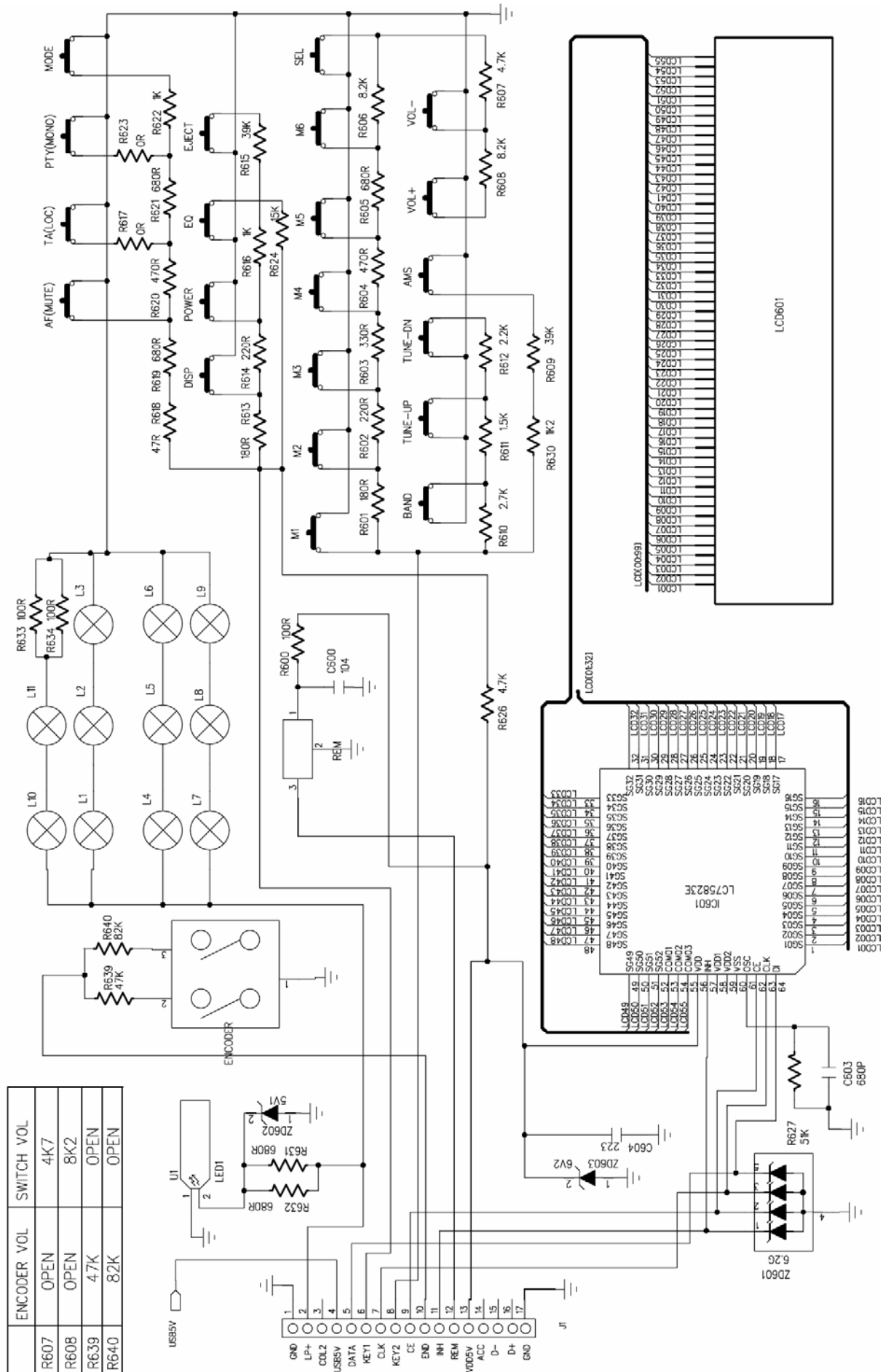
EXPLODED VIEW PARTS LIST - CONTINUED (DECK)

| Ref. No. | Description | Parts No. | Q'ty |
|----------|-----------------|---------------------|------|
| 40 | CLAMP DISC | POM (F20-03) | 1 |
| 41 | HOLD CLAMPER | SECC T1.0 | 1 |
| 42 | S/P CLAMPER | SUS304WPB | 1 |
| 43 | TURN TABLE | ABS G/F 20% | 1 |
| 44 | BASE PU | POM (F20-03) | 1 |
| 45 | PIN SIDE (A) | SUM24L-NI (PLATE) | 2 |
| 46 | SCREW | CA/H 0" M/S 1.7*2.5 | 2 |
| 47 | PIN SIDE (B) | SUM24L-NI (PLATE) | 2 |
| 48 | DAMPER | BUTHYL | 1 |
| 49 | S/P BASE | SUS304WPB | 2 |
| 50 | MOTOR | RF-400CA-12265 | 1 |
| 51 | GEAR PU (B) | HYTRELL 5526 | 1 |
| 52 | GEAR PU (A) | POM (F20-03) | 1 |
| 53 | SCREW | CA/H 0" M/S 2*2 | 6 |
| 54 | MOTOR | FF-050SH-11190 | 1 |
| 55 | HOUSING GEAR | POM (F20-03) | 1 |
| 56 | SHAFT PU | KNN11 (PCD18) | 1 |
| 57 | SCREW | R/H (W/W) TTB2*5 | 1 |
| 58 | 4P CONT WIRE | 1007 #28 | 1 |
| 59 | SPRING TENSION | SUS304WPB | 1 |
| 60 | GEAR PU © | POM (F20-03) | 1 |
| 61 | LEAD SCREW | BSBM | 1 |
| 62 | SWITCH | SW-110 | 1 |
| 63 | SCREW | B/H TTB1.7*8 | 1 |
| 64 | PICK UP | MG205 | 1 |
| 65 | FPC WIRE | POLY AMIDE | 1 |
| 66 | SPRING PU | SUS T0.2 | 1 |
| 67 | FIBER PAPER | | 1 |
| 68 | S/P CAM ® | 0.55 | 1 |
| 69 | TRANSIT SCREW | 4.5*18 | 2 |
| 70 | INSULATOR COVER | PE | 1 |
| 71 | SWITCH | SW-111 | 1 |
| 72 | WASHER PE | PE | 2 |
| 73 | S/P BASE ® | SUS304WPB | 2 |

SCHEMATIC DIAGRAM (MAIN BOARD)



SCHEMATIC DIAGRAM (KEY BOARD)



ELECTRICAL PARTS LIST

| Ref. No. | Part No. | Description | Q'ty |
|--------------------------------------------------------------|----------------------|-----------------------------------------------------------|------|
| PC BOARD ASSY, MAIN BOARD | | | |
| D639,D630 | 0200-004148-02 | DIODE SMD RLS4148 LL-34 ROHM ROHS | 2 |
| IC601 | 0300-007313-01 | IC SC-7313 (SILAN) ROHS | 1 |
| IC801 | 0300-007388-00 | IC TDA7388 (4x40W) ST "Y" ROHS | 1 |
| IC602 | 0300-0F8847-151 | CPU RF8847-151 MP3+WMA+TC+RUSSION FONT | 1 |
| R704,R709,R710,R715 | 0700-063273-00 | RES SMD 27KΩ ±5% 1/10W 0603 ROHS | 4 |
| | 1111-500040-020 C | CD(D)5000YMB9X3.90 RUSSIA) 183X152X1.6MM | 1 |
| RESET | 1600-000244-00 | SWITCH TACT KFC-A06-2WA 7.4×6.5×6.6MM XYS ROHS | 1 |
| | 2500-0F2006-17 | CONNECTOR FEMALE 17PIN P=2.0MM DR-F17-2.0 EASTSUN ROHS | 1 |
| ANT | 3200-083210-01 | ANT SOCKET W/GND ⌀ 3MM L=210MM ROHS | 1 |
| Q810,Q305 | 0100-000435-00S | TR NPN BD435S TO-126 FAIRCHLD ROHS | 2 |
| Q802,Q809,Q104,Q302,Q304 | 0100-000812-00F | 2SA812-G(ROHS) | 5 |
| Q812 | 0100-001240-00 | TRANSISTOR B1240 ROHS | 1 |
| Q105~107,Q601,Q801,Q803~8 06,Q808,Q811,Q301,Q303,Q70 1 | 0100-003875-07F | TR NPN KTC3875-GR SOT-23 ROHS | 14 |
| I802,IC803 | 0100-007805-00 | IC,78L05 TO-92 ROHS | 2 |
| Q807 | 0100-008550-03 | TR PNP SS8550C TO-92-B ROHS | 1 |
| D802 | 0200-004001-00 | DIODE IN4001 DO-41 ROHS | 1 |
| D803,D805 | 0200-004148-00A | DIODE 1N-4148 DO-35 TAPPING ROHS | 2 |
| D601,D806,D632,D808 | 0200-004148-02 | DIODE SMD RLS4148 LL-34 ROHM ROHS | 4 |
| D801 | 0200-005401-00 | DIODE IN5401 DO-27 ROHS | 1 |
| ZD302 | 0200-050033-54 | ZENER DIODE SMD 3.3V 0.5W ±2% LL-34 ROHS | 1 |
| ZD802 | 0200-050036-02 | ZENER DIODE SMD 3.6V 0.5W ±2% LL-34 ROHS | 1 |
| ZD801 | 0200-050082-01 | ZENER DIODE SMD 8.2V 0.5W LL-34 ROHS | 1 |
| ZD301 | 0200-050091-03 | ZENER DIODE SMD 9.1V 0.5W ±2% LL-34 ROHS | 1 |
| ZD803 | 0200-050100-02 | ZENER DIODE SMD 10V 0.5W ±5% LL-34 ROHS | 1 |
| IC701,IC702 | 0300-004558-26S | IC UTC4558 SOP (SILAN) ROHS | 2 |
| IC603 | 0300-007035-00 | IC KIA7035AP TO-92 ROHS | 1 |
| IC101 | 0300-009257-00H | IC SC9257 ROHS | 1 |
| XT601 | 0400-000072-01H | CRYSTAL OSCILLATOR 7.2MHZ ±30PPM HC-49U/S ROHS | 1 |
| C805~808 | 0500-003102-10 | CER.CAP SMD 1000PF 50V ±10% 0805 Y5P ROHS | 4 |
| C122,C610,C116,C117,C611,C 801~804 | 0500-003105-10 | CER.CAP SMD 1uF 25V ±20% X7R 0805 ROHS | 9 |
| C601 | 0500-003270-05S | CER.CAP SMD 27PF 50V ±5% NPO 0805 ROHS | 1 |
| C602 | 0500-003330-05S | CER.CAP SMD 33PF 50V ±5% NPO 0805 ROHS | 1 |
| C817 | 0500-063101-00 | CER.CAP SMD 100PF 50V ±5% NPO 0603 ROHS | 1 |

ELECTRICAL PARTS LIST-CONTINUED

| Ref. No. | Part No. | Description | Q'ty |
|-------------------------------------------------------------------------------------|-----------------|-----------------------------------------------|------|
| C603,C604,C140 | 0500-063102-01 | CER.CAP SMD 1000PF 50V ±10% X7R 0603 ROHS | 3 |
| C207 | 0500-063103-01 | CER.CAP SMD 0.01uF 50V ±10% X7R 0603 ROHS | 1 |
| C110,C111,C607,C811,C833,C819,C663,C664,C630,C600,C839,C837,C818,C108,C123 | 0500-063104-01 | CER.CAP SMD 0.1uF 50V ±10% X7R 0603 ROHS | 15 |
| C119,C124 | 0500-063220-00 | CER.CAP SMD 22PF 50V ±5% NPO 0603 ROHS | 2 |
| C101,C105,C109,C605 | 0500-063223-01 | CER.CAP SMD 0.022uF 50V ±10% X7R 0603 ROHS | 4 |
| C620~623,C665,C666 | 0500-063224-01 | CER.CAP SMD 0.22uF 16V ±10% X7R 0603 ROHS | 8 |
| C615,C616 | 0500-063272-01 | CER.CAP SMD 2700PF 50V ±10% X7R 0603 ROHS | 2 |
| C814,C609 | 0500-063474-01 | CER.CAP SMD 0.47uF 25V +80/-20% Y5V 0603 ROHS | 2 |
| C661,C662 | 0500-063682-01 | CER.CAP SMD 6800PF 50V ±10% X7R 0603 ROHS | 2 |
| C606,C629,C617,C303,C304,C107,C838 | 0600-010107-01 | E.CAP 100uF 10V ±20% § 5X7MM ROHS | 7 |
| C702 | 0600-010227-01 | E.CAP 220uF 10V ±20% § 6×7MM ROHS | 1 |
| C125,C813,C608,C102 | 0600-010476-03 | E.CAP 47uF 10V ±20% § 6×5MM ROHS | 4 |
| C809,C812,C106 | 0600-016106-02 | E.CAP 10uF 16V ±20% § 3.5×5MM ROHS | 3 |
| C834,835,701 | 0600-016107-03 | E.CAP 100uF 16V +/-20% 5X7MM ROHS | 3 |
| C618,C821 | 0600-016226-01 | E.CAP 22uF 16V ±20% § 4×7MM ROHS | 2 |
| C712 | 0600-016336-02 | E.CAP 33uF 16V ±20% § 6.3×5MM ROHS | 1 |
| C810 | 0600-016338-00S | E.CAP 3300uF 16V ±20% § 13×25MM ROHS | 1 |
| C614,C619,C624~627,C703~706,C301,C302 | 0600-050225-02 | E.CAP 0.22uF 50V ±20% § 4×5MM ROHS | 12 |
| C815 | 0600-050335-02 | E.CAP 3.3uF 50V ±20% § 4×5MM ROHS | 1 |
| R640 | 0700-005022-10 | RES 2.2Ω ±5% 1/2W ROHS | 1 |
| R134 | 0700-005047-00 | RES 4.7Ω ±5% 1/4W ROHS | 1 |
| R854 | 0700-005100-00 | RES 10Ω ±5% 1/4W ROHS | 1 |
| R620,R600 | 0700-005100-16A | RES 10Ω ±5% 1/16W (TAPPING) ROHS | 2 |
| R837 | 0700-005103-16A | RES 10KΩ ±5% 1/16W (TAPPING) ROHS | 1 |
| R327,R328 | 0700-005220-16A | RES 22Ω ±5% 1/16W (TAPPING) ROHS | 2 |
| R827,R324,R326 | 0700-005222-16A | RES 2.2KΩ ±5% 1/16W (TAPPING) ROHS | 3 |
| R813 | 0700-005223-16A | RES 22KΩ ±5% 1/16W (TAPPING) ROHS | 1 |
| R850 | 0700-005471-16A | RES 470Ω ±5% 1/16W (TAPPING) ROHS | 1 |
| R670,J63,R1 | 0700-063000-00 | RES SMD 0Ω ±5% 1/10W 0603 ROHS ROHS | 3 |
| R135,R700,R701 | 0700-063100-00 | RES SMD 10Ω ±5% 1/10W 0603 ROHS | 3 |
| R603,R103,R118 | 0700-063101-00 | RES SMD 100Ω ±5% 1/10W 0603 ROHS | 3 |
| R101,R643,R831,R605,R141,R871,R320~303 | 0700-063102-00 | RES SMD 1KΩ ±5% 1/10W 0603 ROHS | 10 |
| R102,R623,R625,R631,R632,R801~804,R839,R851,R316,R823,R845,R848,R305,R317,R820,R725 | 0700-063103-00 | RES SMD 10KΩ ±5% 1/10W 0603 ROHS | 19 |
| R819 | 0700-063104-00 | RES SMD 100KΩ ±5% 1/10W 0603 ROHS | 1 |
| R612,R618,R616,R619,R617 | 0700-063105-00 | RES SMD 1M ±5% 1/10W 0603 ROHS | 5 |
| R818 | 0700-063152-00 | RES SMD 1.5KΩ ±5% 1/10W 0603 ROHS | 1 |

ELECTRICAL PARTS LIST-CONTINUED

| Ref. No. | Part No. | Description | Q'ty |
|------------------------------------------------------------------------------------------------|-----------------|--------------------------------------------------------------|------|
| R830 | 0700-063182-00 | RES SMD 1.8KΩ ±5% 1/10W 0603 ROHS | 1 |
| R645,R646,R001 | 0700-063220-00 | RES SMD 22Ω ±5% 1/10W 0603 ROHS | 3 |
| R636 | 0700-063221-00 | RES SMD 220Ω ±5% 1/10W 0603 ROHS | 1 |
| R615,R633,R634,R121,R142,R872,R681,R682,R329,R330,R325 | 0700-063222-00 | RES SMD 2.2KΩ ±5% 1/10W 0603 ROHS | 11 |
| R702,R703,R705~808,R829,R858,R841~844 | 0700-063223-00 | RES SMD 22KΩ ±5% 1/10W 0603 ROHS | 12 |
| R614,R626 | 0700-063224-00 | RES SMD 220KΩ ±5% 1/10W 0603 ROHS | 2 |
| R814~817 | 0700-063274-00 | RES SMD 270KΩ ±5% 1/10W 0603 ROHS | 4 |
| R108 | 0700-063331-00 | RES SMD 330Ω ±5% 1/10W 0603 ROHS | 1 |
| R113,R114,R629,R630,R320,R321,R326,R323,R324 | 0700-063332-00 | RES SMD 3.3KΩ ±5% 1/10W 0603 ROHS | 9 |
| R607,R308 | 0700-063334-00 | RES SMD 330KΩ ±5% 1/10W 0603 ROHS | 2 |
| R318,R301,R302 | 0700-063392-00 | RES SMD 3.9KΩ ±5% 1/10W 0603 ROHS | 3 |
| R627,R628 | 0700-063394-00 | RES SMD 390KΩ ±5% 1/10W 0603 ROHS | 2 |
| R109,R663,R664 | 0700-063471-00 | RES SMD 470Ω ±5% 1/10W 0603 ROHS | 3 |
| R122,R602,R604,R611,R840,R606,R129,R130,R138,R624,R852,R309,R120 | 0700-063472-00 | RES SMD 4.7KΩ ±5% 1/10W 0603 ROHS | 16 |
| R125,R126,R608,R706,R707,R712,R713,R846,R822,R124,R137,R849,R847,R307,R641,R853,R310,R119,R315 | 0700-063473-00 | RES SMD 47KΩ ±5% 1/10W 0603 ROHS | 20 |
| R613 | 0700-063474-00 | RES SMD 470KΩ ±5% 1/10W 0603 ROHS | 1 |
| R622,R665,R666 | 0700-063512-00 | RES SMD 5.1KΩ ±5% 1/10W 0603 ROHS | 3 |
| R809~812,R311,R331 | 0700-063561-00 | RES SMD 560Ω ±5% 1/10W 0603 ROHS | 6 |
| R661,R662 | 0700-063682-00 | RES SMD 6.8KΩ ±5% 1/10W 0603 ROHS | 2 |
| R716~719 | 0700-063821-00 | RES SMD 820Ω ±5% 1/10W 0603 ROHS | 4 |
| R705,R708,R711,R714 | 0700-063822-00 | RES SMD 8.2KΩ ±5% 1/10W 0603 ROHS | 4 |
| R621 | 0700-063823-00 | RES SMD 82KΩ ±5% 1/10W 0603 ROHS | 1 |
| L803 | 0900-070100-01 | MICRO INDUCTOR 10UH AXIAL TYPE ROHS | 1 |
| L801 | 1500-027012-11 | TOROIDAL COIL XC-169-110uH V-TYPE § 27×12MM Xin- DeXing ROHS | 1 |
| OSC | 3100-086120-08 | SINGLE SHIELD WIRE 120MM GREY ROHS | 1 |
| Q816 | 0100-003875-07F | TR NPN KTC3875-GR SOT-23 ROHS | 1 |
| R832,880,881 | 0700-063103-00 | RES SMD 10KΩ ±5% 1/10W 0603 ROHS | 3 |
| R329,R330 | 0700-063222-00 | RES SMD 2.2KΩ ±5% 1/10W 0603 ROHS | 2 |
| R824 | 0700-063472-00 | RES SMD 4.7KΩ ±5% 1/10W 0603 ROHS | 1 |
| R825 | 0700-063473-00 | RES SMD 47KΩ ±5% 1/10W 0603 ROHS | 1 |
| Q817 | 0100-000436-00S | TR PNP BD436 TO-126 SAMSUNG ROHS | 1 |
| IC804 | 0300-007805-11S | REGULATOR UTC7805 (TO-220) SILAN ROHS | 1 |
| C816 | 0600-010107-01 | E.CAP 100uF 10V ±20% § 5X7MM ROHS | 1 |
| C836 | 0600-016107-02 | E.CAP 100uF 16V ±20% § 6×5MM ROHS | 1 |
| C820 | 0600-016476-03 | E.CAP 47uF 16V ±20% § 6×5MM ROHS | 1 |
| L802,L804 | 0900-003315-00 | SL0805-3R3M1R5 ROHS | 2 |
| PC BOARD ASSY, MAIN BOARD FM TUNER SECTION | | | |
| D633(ORIT),645 | 0200-004148-02 | DIODE SMD RLS4148 LL-34 ROHM ROHS | 2 |
| C112,113 | 0500-063153-01 | CER.CAP SMD 0.015uF 50V ±10 X7R 0603 ROHS | 2 |

ELECTRICAL PARTS LIST-CONTINUED

| Ref. No. | Part No. | Description | Q'ty |
|---------------------------------------------------|-------------------|-------------------------------------------------------------|------|
| C114,115 | 0500-063682-01 | CER.CAP SMD 6800PF 50V ±10% X7R 0603 ROHS | 2 |
| R111,112 | 0700-063562-00 | RES SMD 5.6KΩ ±5% 1/10W 0603 ROHS | 2 |
| | 2900-000347-03 | M.FAE347/P21/P22 EAST FUREPE 1 PACK 65-108MHJ ROHS | 1 |
| PC BOARD ASSY, MAIN BOARD AM TUNER SECTION | | | |
| C206 | 0500-063050-00 | CER.CAP SMD 5PF 50V ±5% NPO 0603 ROHS | 1 |
| R210 | 0700-063471-00 | RES SMD 470Ω ±5% 1/10W 0603 ROHS | 1 |
| Q203 | 0100-000812-00F | 2SA812-G(ROHS) | 1 |
| Q201,Q202 | 0100-003875-07F | TR NPN KTC3875-GR SOT-23 ROHS | 2 |
| C208 | 0500-016225-00 | TAN CAP 2.2uF 16V § 4X5MM ROHS | 1 |
| C201~203 | 0500-063223-01 | CER.CAP SMD 0.022uF 50V ±10% X7R 0603 ROHS | 3 |
| C204 | 0600-016106-02 | E.CAP 10uF 16V ±20% § 3.5×5MM ROHS | 1 |
| R209 | 0700-063100-00 | RES SMD 10Ω ±5% 1/10W 0603 ROHS | 1 |
| R208 | 0700-063102-00 | RES SMD 1KΩ ±5% 1/10W 0603 ROHS | 1 |
| R201 | 0700-063103-00 | RES SMD 10KΩ ±5% 1/10W 0603 ROHS | 1 |
| R202 | 0700-063331-00 | RES SMD 330Ω ±5% 1/10W 0603 ROHS | 1 |
| R207 | 0700-063471-00 | RES SMD 470Ω ±5% 1/10W 0603 ROHS | 1 |
| R205 | 0700-063472-00 | RES SMD 4.7KΩ ±5% 1/10W 0603 ROHS | 1 |
| R203 | 0700-063473-00 | RES SMD 47KΩ ±5% 1/10W 0603 ROHS | 1 |
| R206 | 0700-063822-00 | RES SMD 8.2KΩ ±5% 1/10W 0603 ROHS | 1 |
| L201 | 0900-070470-04 | M. INDUCTOR AL03TO4R7 (AXIAL) ROHS | 1 |
| PC BOARD ASSY, KEY BOARD | | | |
| | 0200-001007-09 | LED BACK LIGHT WHITE QB02001-09B 89.3×19.7×3.3MM TIDAL ROHS | 1 |
| R624 | 0700-063153-00 | RES SMD 15KΩ ±5% 1/10W 0603 ROHS | 1 |
| R623 | 0700-063203-00 | RES SMD 20KΩ ±5% 1/10W 0603 ROHS | 1 |
| R607 | 0700-063473-00 | RES SMD 47KΩ ±5% 1/10W 0603 ROHS | 1 |
| R617 | 0700-063512-00 | RES SMD 5.1KΩ ±5% 1/10W 0603 ROHS | 1 |
| R608 | 0700-063823-00 | RES SMD 82KΩ ±5% 1/10W 0603 ROHS | 1 |
| | 1111-300630-330 C | CD3006 USB BOARD 1.2X21X11.7MM | 1 |
| VOL+/- | 1800-000163-00 | VOL ENCODER SRGP200200 § 23.6×9MM ALPS ROHS | 1 |
| | 2500-002174-01 | USB SOCKET H-TYPE DAYKING ROHS | 1 |
| | 2700-300200-110Y | CD3001 LCD TN NEG COLOR BLACK MASK 22X84 PIN ROHS | 1 |
| KB USB | 3100-050050-03 | 5X0.8MM PVC WIRE 50MM ORANGE ROHS | 4 |
| | 8100-010307-06 | LAMP COVER 3MM CYAN ROHS | 11 |
| DLP1~11 | 0200-030553-60T | LAMP 3V 60MA § 3X5.5MM KEE TAT ROHS | 11 |
| IC601 | 0300-075823-00H | IC LC75823ED ROHS | 1 |
| C604 | 0500-063223-01 | CER.CAP SMD 0.022uF 50V ±10% X7R 0603 ROHS | 1 |
| C603 | 0500-063681-00 | CER.CAP SMD 680PF 50V ±5% NPO 0603 ROHS | 1 |
| R633,R634 | 0700-005101-00 | RES 100Ω ±5% 1/14W ROHS | 2 |
| R622,R616 | 0700-063102-00 | RES SMD 1KΩ ±5% 1/10W 0603 ROHS | 2 |
| R630 | 0700-063122-00 | RES SMD 1.2KΩ ±5% 1/10W 0603 ROHS | 1 |

ELECTRICAL PARTS LIST-CONTINUED

| Ref. No. | Part No. | Description | Q'ty |
|------------------------------------------|------------------|----------------------------------------------------------------|------|
| R611 | 0700-063152-00 | RES SMD 1.5KΩ ±5% 1/10W 0603 ROHS | 1 |
| R601,R613 | 0700-063181-00 | RES SMD 180Ω ±5% 1/10W 0603 ROHS | 2 |
| R602,R614 | 0700-063221-00 | RES SMD 220Ω ±5% 1/10W 0603 ROHS | 2 |
| R612 | 0700-063222-00 | RES SMD 2.2KΩ ±5% 1/10W 0603 ROHS | 1 |
| R610 | 0700-063272-00 | RES SMD 2.7KΩ ±5% 1/10W 0603 ROHS | 1 |
| R603 | 0700-063331-00 | RES SMD 330Ω ±5% 1/10W 0603 ROHS | 1 |
| R609,R615 | 0700-063393-00 | RES SMD 39KΩ ±5% 1/10W 0603 ROHS | 2 |
| R618 | 0700-063470-00 | RES SMD 47Ω ±5% 1/10W 0603 ROHS | 1 |
| R604,R620 | 0700-063471-00 | RES SMD 470Ω ±5% 1/10W 0603 ROHS | 2 |
| R626 | 0700-063472-00 | RES SMD 4.7KΩ ±5% 1/10W 0603 ROHS | 1 |
| R627 | 0700-063513-00 | RES SMD 51KΩ ±5% 1/10W 0603 ROHS | 1 |
| R605,R619,R621,R631,R632 | 0700-063681-00 | RES SMD 680Ω ±5% 1/10W 0603 ROHS | 5 |
| R606 | 0700-063822-00 | RES SMD 8.2KΩ ±5% 1/10W 0603 ROHS | 1 |
| | 1121-300630-3108 | CD-3006 D/S KB 1.2X185X44MM (FOR KRS USB) | 1 |
| SW RES | 1600-001107-02S | TACT SW KPT-1107CD 4.3 2P IN RED | 19 |
| | 2500-0M2005-17 | CONNATOR SMD MALE 17PIN P=2.0MM H-TYPE DR-NM7-2.0 EASTSUN ROHS | 1 |
| | 3500-010002-00 | FIBRE WASHER § 2X6X0.4MM ROHS | 2 |
| PC BOARD ASSY, SDK/CD SERVO BOARD | | | |
| R303,304 | 0700-063272-00 | RES SMD 2.7KΩ ±5% 1/10W 0603 ROHS | 2 |
| R301,302 | 0700-063392-00 | RES SMD 3.9KΩ ±5% 1/10W 0603 ROHS | 2 |
| | 1111-300010-3408 | CD3000(SD+MMC CARD) BOARD 44X37X0.8MM | 1 |
| Q2~6,Q11,Q12 | 0100-000103-00 | TR. KEC103S ROHS | 7 |
| Q1 | 0100-000812-00F | 2SA812-G(ROHS) | 1 |
| Q13 | 0100-001858-17 | TR 2SD1858-Q ATV ROHM ROHS | 1 |
| SD1,SD2 | 0200-000144-00 | IR LED MIE 144A1MC ROHS | 2 |
| ZD9 | 0200-050036-54 | ZENER DIODE SMD 3.6V 0.5W ±5% LL-34 ROHS | 1 |
| D2 | 0200-0K0160-00 | KEC KDS160 ULTRA HIGH SPEED SWITCHING DIODE ROHS | 1 |
| U8 | 0300-001117-00 | VOLTAQE REGULATOR LD1117S ROHS | 1 |
| U3 | 0300-008310-01 | SAMSUNG MP3 AND WMA DECODER S5L8310 ROHS | 1 |
| U2 | 0300-009226-00K | IC S1L9226 ROHS | 1 |
| U4 | 0300-009259-00S | IC SC9259 (SILAN) ROHS | 1 |
| | 0300-016100-01 | SDRAM IS42S16100C1-7TI TSOP-50 ISSI ROHS | 1 |
| U7 | 0300-074244-01 | OCTAL 3-STATE BUFFER 74HC244 TSSOP ROHS | 1 |
| U5 | 0300-0T0051-01 | TAMUL USB/MMC/SD DECODER TMC51FW MP3/WMA ROHS | 1 |
| Y2 | 0400-000120-10 | CRYSTAL 12MHZ +/-30PPM HC-49U/SM 30pf SM-1208 ROHS | 1 |
| Y1 | 0400-000169-01 | CRYSTAL 16.9344MHZ±30PPM HC-49U/SM 20PF SM-1225 ROHS | 1 |
| C40 | 0500-063020-00 | CER.CAP SMD 2PF 50V ±5% NPO 0603 ROHS | 1 |
| C76 | 0500-063100-00 | CER.CAP SMD 10PF 50V ±5% NPO 0603 ROHS | 1 |

ELECTRICAL PARTS LIST-CONTINUED

| Ref. No. | Part No. | Description | Q'ty |
|--------------------------------------------------------------------------------------------------------------------------|-----------------|-----------------------------------------------|------|
| C42,C43,C45,C47 | 0500-063102-01 | CER.CAP SMD 1000PF 50V ±10% X7R 0603 ROHS | 4 |
| C19,C22,C25,C28,C31,C56,C44 | 0500-063103-01 | CER.CAP SMD 0.01uF 50V ±10% X7R 0603 ROHS | 7 |
| C5,C7~12,C15,C21,C23,C24,C29,C30,C32,C34,C36,37,C39,C41,C48~50,C52,C54,C55,C57~59,C62,C63,C66,C69,C70,C71,C75,C78~84,C18 | 0500-063104-01 | CER.CAP SMD 0.1uF 50V ±10% X7R 0603 ROHS | 44 |
| C67,C68 | 0500-063152-00N | CER.CAP SMD 1500PF 50V ±5% NPO 0603 ROHS | 2 |
| C35 | 0500-063153-01 | CER.CAP SMD 0.015uF 50V ±10 X7R 0603 ROHS | 1 |
| C16,C60,C61,C73 | 0500-063220-00 | CER.CAP SMD 22PF 50V ±5% NPO 0603 ROHS | 4 |
| C17,C26,C33 | 0500-063222-01 | CER.CAP SMD 2200PF 50V ±10% X7R 0603 ROHS | 3 |
| C72 | 0500-063223-01 | CER.CAP SMD 0.022uF 50V ±10% X7R 0603 ROHS | 1 |
| C2,C13 | 0500-063270-00 | CER.CAP SMD 27PF 50V ±5% NPO 0603 ROHS | 2 |
| C85 | 0500-063330-00 | CER.CAP SMD 33PF 50V ±5% NPO 0603 ROHS | 1 |
| C53 | 0500-063333-01 | CER.CAP SMD 0.033uF 50V ±10% X7R 0603 ROHS | 1 |
| C6,C1 | 0500-063391-00 | CER.CAP SMD 390PF 50V ±5% NPO 0603 ROHS | 2 |
| C51 | 0500-063474-01 | CER.CAP SMD 0.47uF 25V +80/-20% Y5V 0603 ROHS | 1 |
| C20 | 0500-063683-01 | CER.CAP SMD 0.068uF 50V ±10% X7R 0603 ROHS | 1 |
| C64 | 0500-063821-00 | CER.CAP SMD 820PF 50V ±5% NPO 0603 ROHS | 1 |
| EC1~5,EC7~11,EC16,EC1 | 0600-016106-54 | E.CAP SMD 10uF ±10% 16V § 4×5.5MM ROHS | 12 |
| EC13,EC15 | 0600-016107-54 | E.CAP SMD 100uF 16V ±10% § 6.3×5.5MM ROHS | 2 |
| EC6 | 0600-016226-54 | E.CAP SMD 22uF 16V ±10% § 5×5.5MM ROHS | 1 |
| L1,L3,L5,L6,L7,R115 | 0700-005000-54 | RES SMD 0Ω ±5% 1/10W 0805 ROHS | 6 |
| R111 | 0700-005047-00 | RES 4.7Ω ±5% 1/4W ROHS | 1 |
| R72 | 0700-005100-54 | RES SMD 10Ω ±5% 1/10W 0805 ROHS | 1 |
| R19,R41,R45,R48,R74,R77,R50 | 0700-063000-00 | RES SMD 0Ω ±5% 1/10W 0603 ROHS ROHS | 7 |
| R1,R70,R73 | 0700-063100-00 | RES SMD 10Ω ±5% 1/10W 0603 ROHS | 3 |
| R100 | 0700-063101-00 | RES SMD 100Ω ±5% 1/10W 0603 ROHS | 1 |
| R49,R51,R54,R60,R82,R86,R87 | 0700-063102-00 | RES SMD 1KΩ ±5% 1/10W 0603 ROHS | 7 |
| R20,R23,R31,R43,R44,R98,R101,R113 | 0700-063103-00 | RES SMD 10KΩ ±5% 1/10W 0603 ROHS | 8 |
| R102,R104,R2,R7 | 0700-063104-00 | RES SMD 100KΩ ±5% 1/10W 0603 ROHS | 4 |
| R5,R27,R34,R57 | 0700-063105-00 | RES SMD 1M ±5% 1/10W 0603 ROHS | 4 |
| R119,R140 | 0700-063121-00 | RES SMD 120Ω ±5% 1/10W 0603 ROHS | 2 |
| R13,R26,R80,R81,R92,R123 | 0700-063153-00 | RES SMD 15KΩ ±5% 1/10W 0603 ROHS | 6 |

ELECTRICAL PARTS LIST-CONTINUED

| Ref. No. | Part No. | Description | Q'ty |
|------------------------------------------------------------------------------|------------------|-------------------------------------------------------------------------------|------|
| R4 | 0700-063154-00 | RES SMD 150KΩ ±5% 1/10W 0603 ROHS | 1 |
| R29 | 0700-063203-00 | RES SMD 20KΩ ±5% 1/10W 0603 ROHS | 1 |
| R83,R84,R88~91,R85,R93~97, R99,R105,R133~135,R137,R14 2,R144,R145,R146 | 0700-063220-00 | RES SMD 22Ω ±5% 1/10W 0603 ROHS | 22 |
| R112 | 0700-063221-00 | RES SMD 220Ω ±5% 1/10W 0603 ROHS | 1 |
| R66,R28 | 0700-063222-00 | RES SMD 2.2KΩ ±5% 1/10W 0603 ROHS | 2 |
| R32,R12 | 0700-063223-00 | RES SMD 22KΩ ±5% 1/10W 0603 ROHS | 2 |
| R8 | 0700-063224-00 | RES SMD 220KΩ ±5% 1/10W 0603 ROHS | 1 |
| R62 | 0700-063273-00 | RES SMD 27KΩ ±5% 1/10W 0603 ROHS | 1 |
| R21 | 0700-063274-00 | RES SMD 270KΩ ±5% 1/10W 0603 ROHS | 1 |
| R116 | 0700-063331-00 | RES SMD 330Ω ±5% 1/10W 0603 ROHS | 1 |
| R103 | 0700-063333-00 | RES SMD 33KΩ ±5% 1/10W 0603 ROHS | 1 |
| R39,R14 | 0700-063334-00 | RES SMD 330KΩ ±5% 1/10W 0603 ROHS | 2 |
| R71 | 0700-063390-00 | RES SMD 39Ω ±5% 1/10W 0603 ROHS | 1 |
| R55,R59 | 0700-063392-00 | RES SMD 3.9KΩ ±5% 1/10W 0603 ROHS | 2 |
| R76,R78 | 0700-063393-00 | RES SMD 39KΩ ±5% 1/10W 0603 ROHS | 2 |
| R15,R16 | 0700-063470-00 | RES SMD 47Ω ±5% 1/10W 0603 ROHS | 2 |
| R67,R68 | 0700-063471-00 | RES SMD 470Ω ±5% 1/10W 0603 ROHS | 2 |
| R63,R117,R118,R126,R129,R1 47 | 0700-063472-00 | RES SMD 4.7KΩ ±5% 1/10W 0603 ROHS | 6 |
| R9,R22,R24,R40,R120,R121 | 0700-063473-00 | RES SMD 47KΩ ±5% 1/10W 0603 ROHS | 6 |
| R11 | 0700-063563-00 | RES SMD 56KΩ ±5% 1/10W 0603 ROHS | 1 |
| R6,R10 | 0700-063683-00 | RES SMD 68KΩ ±5% 1/10W 0603 ROHS | 2 |
| R33,R107,R108,R110 | 0700-063822-00 | RES SMD 8.2KΩ ±5% 1/10W 0603 ROHS | 4 |
| R47,R106 | 0700-063823-00 | RES SMD 82KΩ ±5% 1/10W 0603 ROHS | 2 |
| R17,R18 | 0700-063913-00 | RES SMD 91KΩ ±5% 1/10W 0603 ROHS | 2 |
| | 1121-205030-2008 | PCB SAMSUNG USB SERVO (205) 1.2X89.1X96MM | 1 |
| SW1 | 1600-000111-00 | SWITCH PUSH LEVER SW-111 8×5.3×3.8MM SHINMEI ROHS | 1 |
| J8 | 2500-000090-03 | RAINBOW WIRE 90MM 3PIN AWG30# ROHS | 1 |
| | 2500-000151-08 | FFC WIRE 150MM 8PIN P=1.0MM ROHS | 1 |
| J2 | 2500-001300-16 | SOCKET SMD 16PIN P=1.0MM BOTTOM-CONTACT H-TYPE HongDongXing ROHS | 1 |
| | 2500-009286-23 | FFC WIRE(UNILATERAL PLUG)130MM 23PIN P=1.25MM ROHS | 1 |
| | 2500-011101-23 | SOCKET 23PIN P=1.25 TOP-CONTACT H-TYPE (NEGATIVE- NEEDLE) EAST SUN ROHS | 1 |
| | 2500-016901-08 | SOCKET SMD 8PIN P=1.0 ROHS | 1 |
| | 2500-020050-03 | SHIELD WIRE L=160MM 3PIN SKT ROHS | 1 |
| | 2500-020080-12 | SOCKET SD CARD CONNECTOR PUSH TYPE ROHS | 1 |
| | 2500-024181-03C | P=2.5 RIGHT ANGLE SKT 3PIN ROHS | 1 |
| J7 | 2500-053015-20E | SOCKET 4PIN CD DECK BoMu ROHS | 1 |
| PC BOARD ASSY, MAIN BOARD LINE OUT SECTION | | | |
| C707,708 | 0600-050105-03 | E.CAP 1uF 50V ±20% 4×5MM ROHS | 2 |
| R721,722 | 0700-063102-00 | RES SMD 1KΩ ±5% 1/10W 0603 ROHS | 2 |
| | 2000-020360-08 | RCA CABLE WIRE 360MM GREY ROHS | 1 |

SPECIFICATIONS

| | |
|----------------------------------|----------------------------------------|
| T. H. D..... | Less than 0.35% |
| Signal to Noise Ratio | More than 60 dB |
| Channel Separation..... | More than 60 dB |
| Frequency Response | 20Hz-20kHz |
| Stereo Separating (FM) | 30 dB (at 1kHz) |
| Signal to Noise Ratio (FM) | Better than 50 dB |
| Output Power..... | 4 X 40W |
| Speaker Output Impedance..... | 4 To 8 ohm |
| Power Source | DC 12V, Negative ground. |
| Frequency Range | FM 65.0 – 74.0MHz (FM 87.5 – 108.0MHz) |
| | MW 530-1710 kHz |
| Sensitivity..... | FM 3 μ V (S/N=30dB) |
| | MW 32 dB μ (S/N=20 dB) |

Specifications are subject to change without notice.