

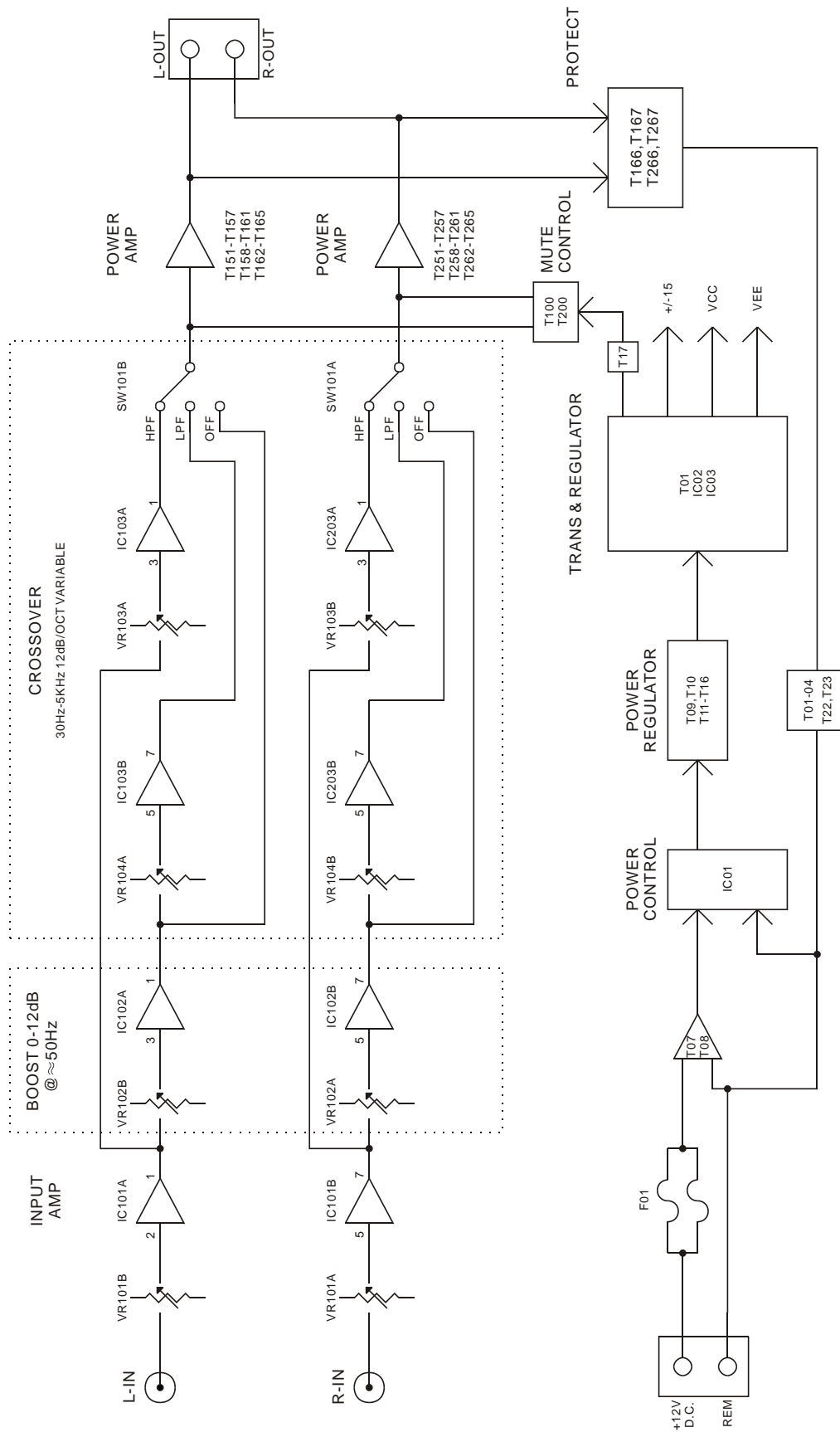
# **SERVICE MANUAL**

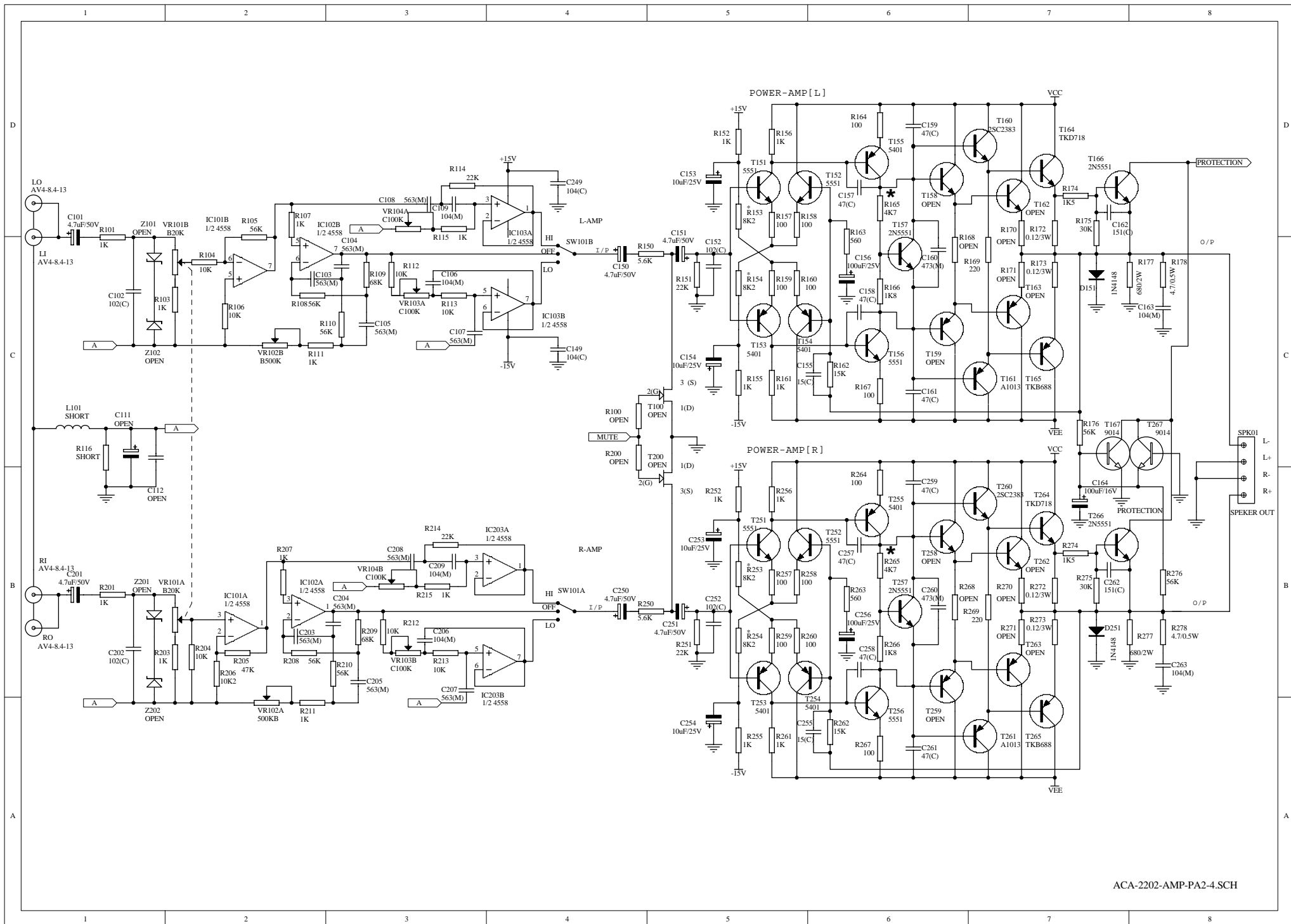
POWER AMPLIFIER

# **AKAI**

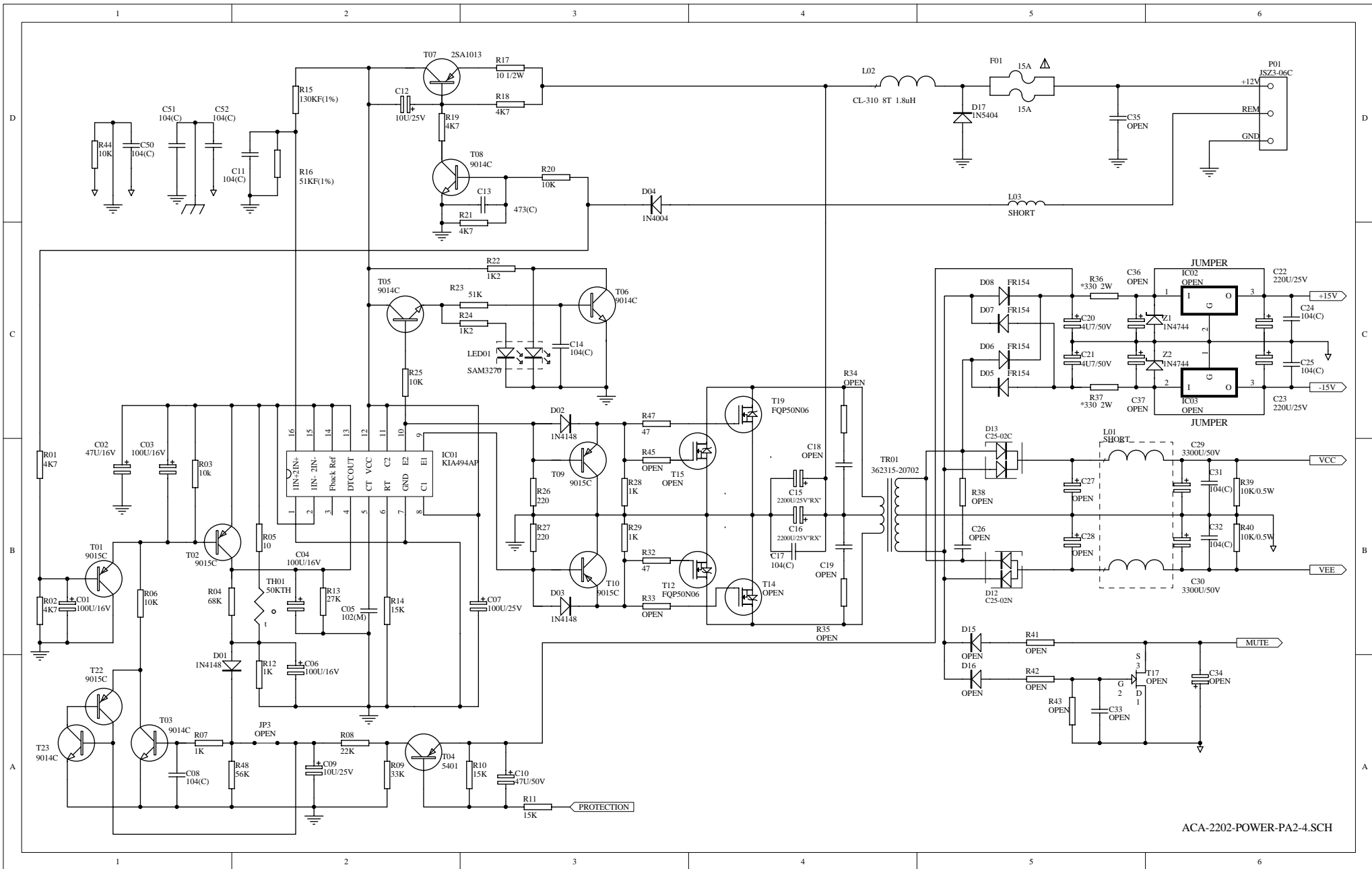
## **ACA-2202**

---



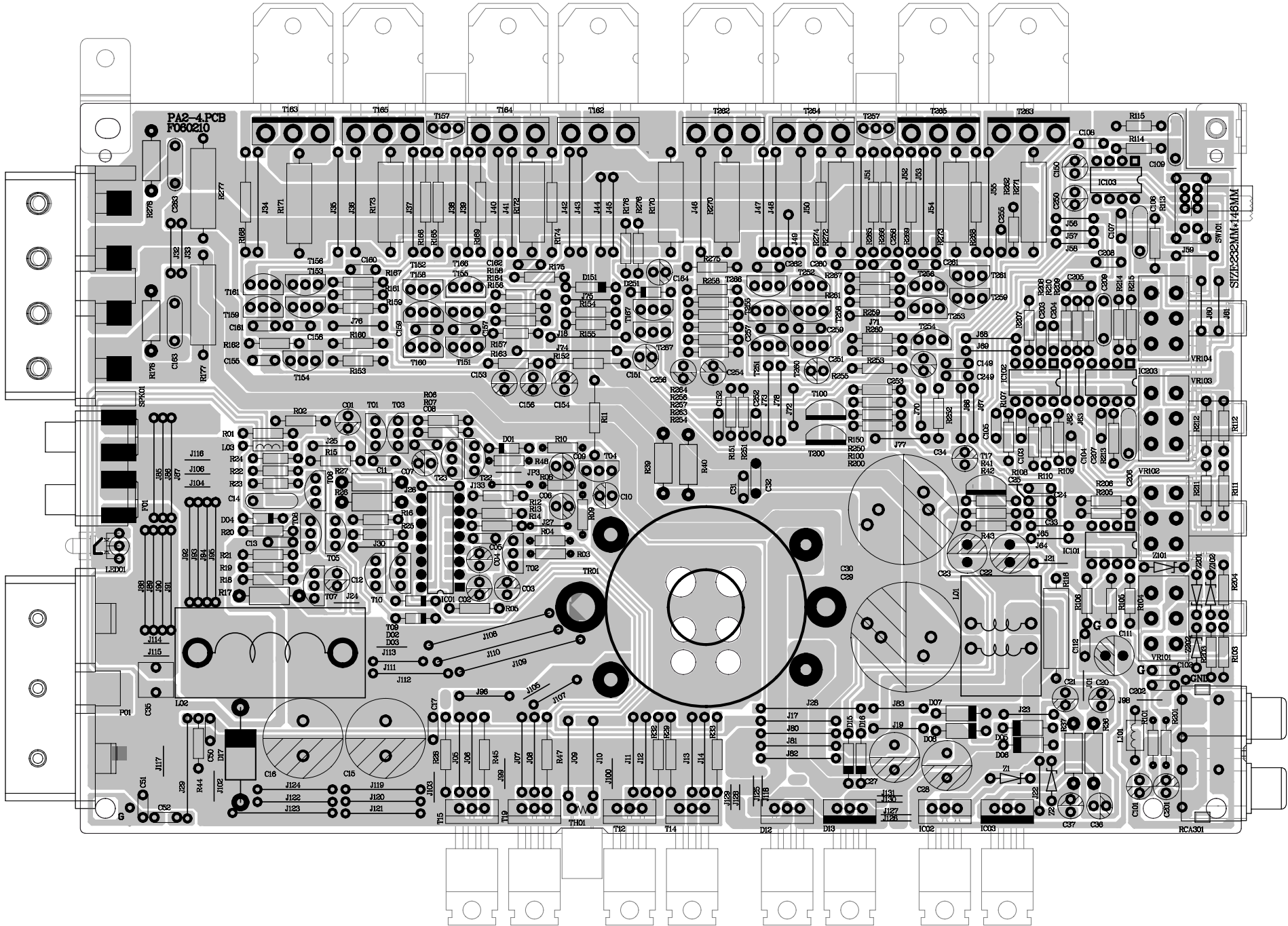


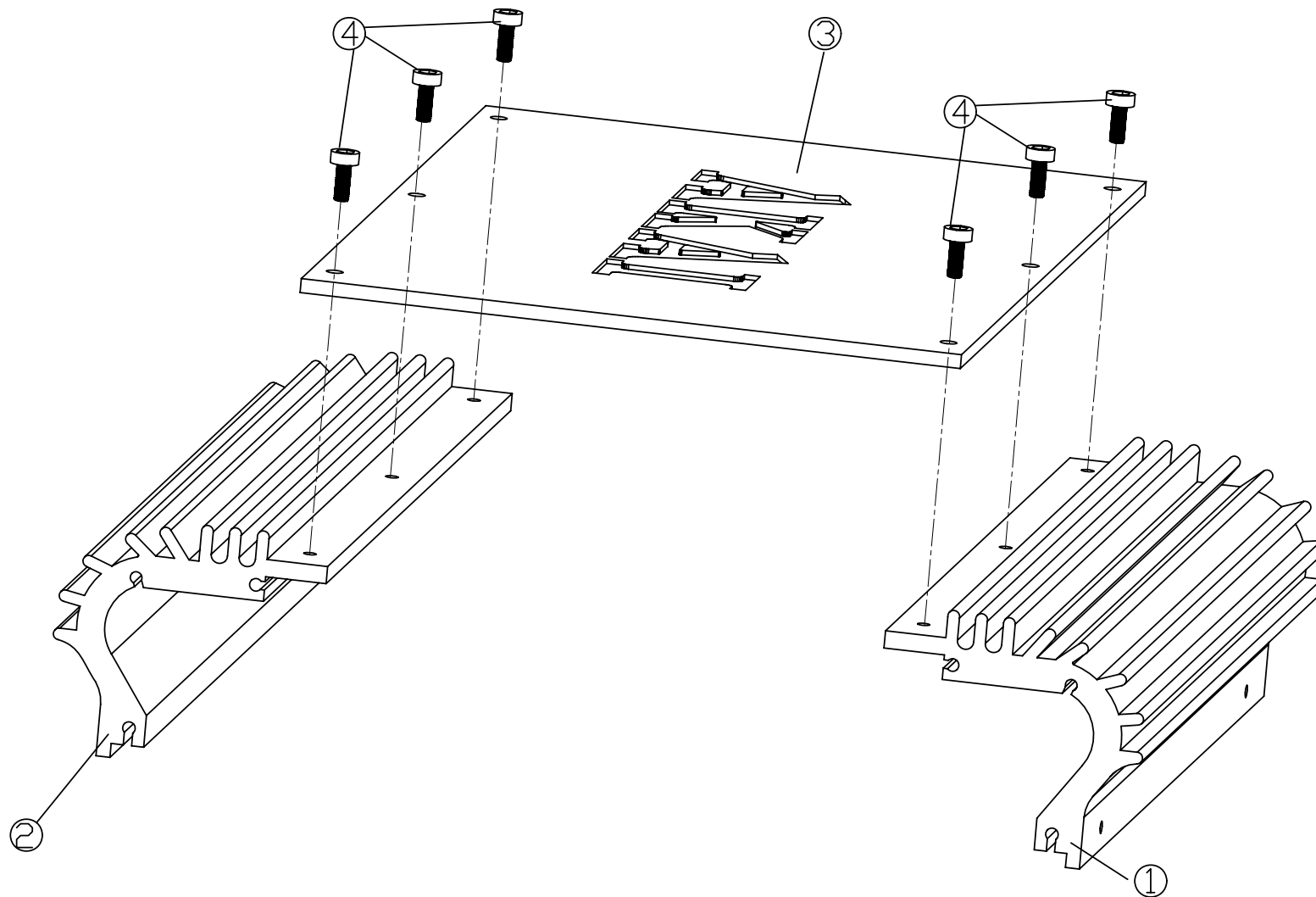
ACA-2202-AMP-PA2-4.SCH




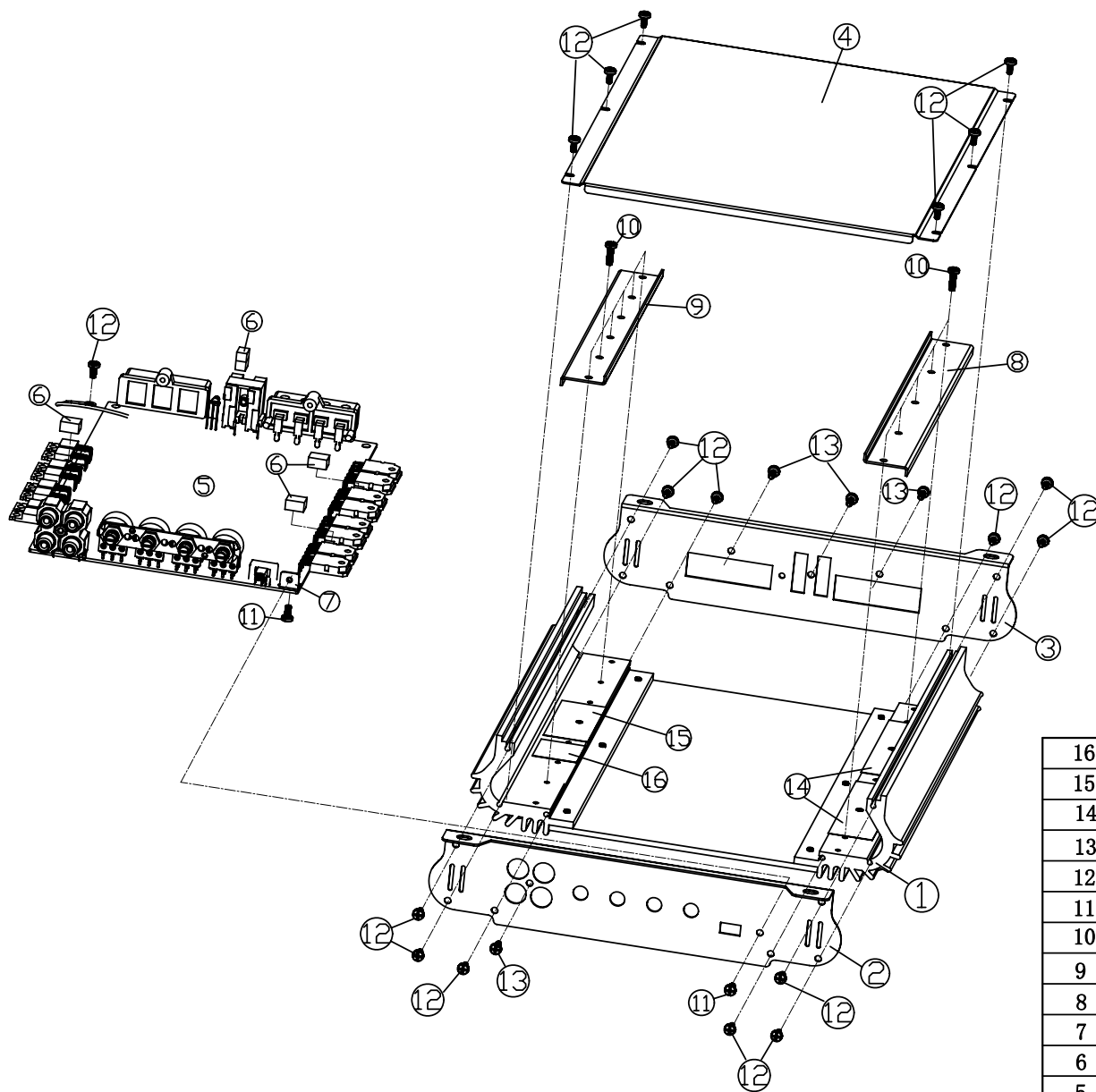
ACA-2202-POWER-PA2-4.SCH

# PA2-4.PCB F060210

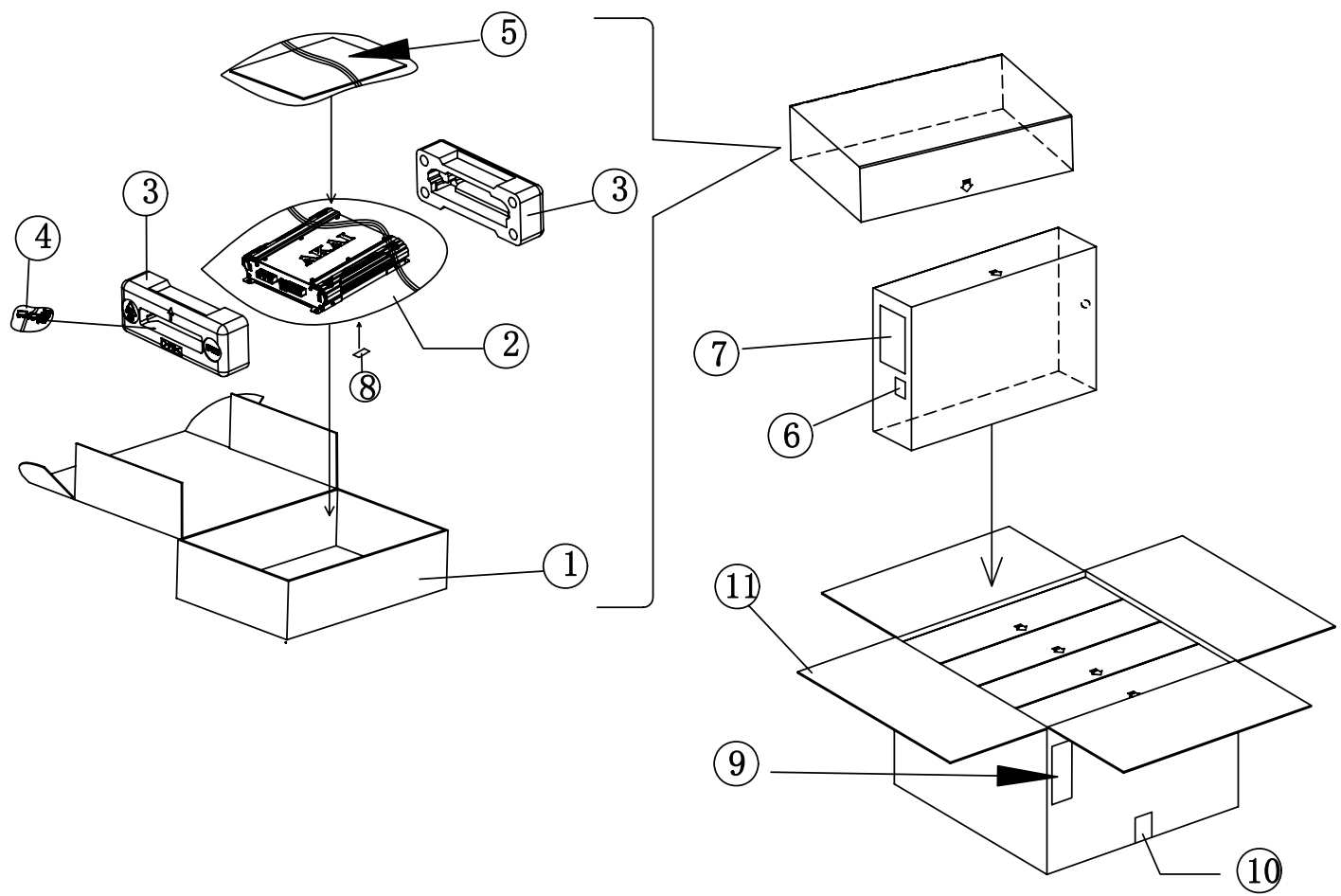




4	M 3X6(silvery white)		6	
3	top panel	ACA-2202-L02	1	145×234×3
2	heat sink B	ACA-2202-L01	1	57×52×234
1	heat sink A	ACA-2202-L01	1	57×52×234
NO.	Parts name	fig.	Q' ty	Remark
	name	Exploded view of aluminium alloy of 2ch	fig.	ACA-2202-001



16	insulator 3	ACA-2202-J01	1	24X27
15	insulator 2 or 4	ACA-2202-J01	1/1	24X33/24X59
14	insulator 1 or 5	ACA-2202-J01	2/2	24X45/24X82
13	ST 3X8		4	
12	ST 3X6		19	
11	M 3X6		2	
10	S 3X10		11	
9	metallic accessories 2	ACA-FJ01	1	24X168
8	metallic accessories 1	ACA-FJ01	1	24X182
7	metallic accessories 4	ACA-FJ01	1	11X10X13
6	sponge cushion		5	8X10X5
5	main board		1	
4	bottom cover	ACA-2202-W03	1	205X233
3	left panel	ACA-2202-W01	1	
2	right panel	ACA-2202-W02	1	
1	heat sinks	ACA-2202-L01	1	
NO.	Parts name	fig.	Q' ty	Remark
name	Exploded view of enclosure assembly of 2ch		fig.	ACA-2202-000



11	carton box		1	
10	adhesive tape		1	
9	carton box label		1	
8	bottom cover label		1	
7	gift box label		1	
6	ME68 label		1	
5	user manual		1	
4	accessories		1	
3	cushion	EP-PM-01	2	
2	amplifier		1	
1	gift box		1	
NO.	Parts name	fig.	Q' ty	Remark
	Packing diagram of 2ch		fig.	ACA-2202-002



## Electrical parts list (MAIN PCB)

Block No. 01

!	Item	Parts number	Parts name	Remarks
	C01	ELE 100U/16V	CAPACITOR	
	C02	ELE 47U/16V	CAPACITOR	
	C03	ELE 100U/16V	CAPACITOR	
	C04	ELE 100U/16V	CAPACITOR	
	C05	MAL 0.001U/100V	CAPACITOR	
	C06	ELE 100U/16V	CAPACITOR	
	C07	ELE 100U/25V	CAPACITOR	
	C08	CER 0.1U/50V	CAPACITOR	
	C09	ELE 10U/25V	CAPACITOR	
	C10	ELE 47U/50V	CAPACITOR	
	C101	ELE 4.7U/50V	CAPACITOR	
	C102	CER 1000P/100V	CAPACITOR	
	C103	MAL 0.056U/100V	CAPACITOR	
	C104	MAL 0.056U/100V	CAPACITOR	
	C105	MAL 0.056U/100V	CAPACITOR	
	C106	MAL 0.1U/100V	CAPACITOR	
	C107	MAL 0.056U/100V	CAPACITOR	
	C108	MAL 0.056U/100V	CAPACITOR	
	C109	MAL 0.1U/100V	CAPACITOR	
	C11	CER 0.1U/50V	CAPACITOR	
	C12	ELE 10U/25V	CAPACITOR	
	C13	CER 0.047U/50V	CAPACITOR	
	C14	CER 0.1U/50V	CAPACITOR	
	C149	CER 0.1U/50V	CAPACITOR	
	C15	ELE 2200U/25V "RX"	CAPACITOR	h<26mm
	C150	ELE 4.7U/50V	CAPACITOR	
	C151	ELE 4.7U/50V	CAPACITOR	
	C152	CER 1000P/100V	CAPACITOR	
	C153	ELE 10U/25V	CAPACITOR	
	C154	ELE 10U/25V	CAPACITOR	
	C155	CER 15P/500V	CAPACITOR	
	C156	ELE 100U/25V	CAPACITOR	
	C157	CER 47P/500V	CAPACITOR	
	C158	CER 47P/500V	CAPACITOR	
	C159	CER 47P/500V	CAPACITOR	
	C16	ELE 2200U/25V "RX"	CAPACITOR	h<26mm
	C160	MAL 0.047U/100V	CAPACITOR	
	C161	CER 47P/500V	CAPACITOR	
	C162	CER 150P/100V	CAPACITOR	
	C163	MAL 0.1U/100V	CAPACITOR	
	C164	ELE 100U/16V	CAPACITOR	
	C17	CER 0.1U/50V	CAPACITOR	
	C20	ELE 4.7U/50V	CAPACITOR	
	C201	ELE 4.7U/50V	CAPACITOR	
	C202	CER 1000P/100V	CAPACITOR	
	C203	MAL 0.056U/100V	CAPACITOR	
	C204	MAL 0.056U/100V	CAPACITOR	
	C205	MAL 0.056U/100V	CAPACITOR	
	C206	MAL 0.1U/100V	CAPACITOR	
	C207	MAL 0.056U/100V	CAPACITOR	
	C208	MAL 0.056U/100V	CAPACITOR	
	C209	MAL 0.1U/100V	CAPACITOR	
	C21	ELE 4.7U/50V	CAPACITOR	
	C22	ELE 220U/25V	CAPACITOR	
	C23	ELE 220U/25V	CAPACITOR	
	C24	CER 0.1U/50V	CAPACITOR	

!	Item	Parts number	Parts name	Remarks
	C249	CER 0.1U/50V	CAPACITOR	
	C25	CER 0.1U/50V	CAPACITOR	
	C250	ELE 4.7U/50V	CAPACITOR	
	C251	ELE 4.7U/50V	CAPACITOR	
	C252	CER 1000P/100V	CAPACITOR	
	C253	ELE 10U/25V	CAPACITOR	
	C254	ELE 10U/25V	CAPACITOR	
	C255	CER 15P/500V	CAPACITOR	
	C256	ELE 100U/25V	CAPACITOR	
	C257	CER 47P/500V	CAPACITOR	
	C258	CER 47P/500V	CAPACITOR	
	C259	CER 47P/500V	CAPACITOR	
	C260	MAL 0.047U/100V	CAPACITOR	
	C261	CER 47P/500V	CAPACITOR	
	C262	CER 150P/100V	CAPACITOR	
	C263	MAL 0.1U/100V	CAPACITOR	
	C29	ELE 3300U/50V	CAPACITOR	h<26mm
	C30	ELE 3300U/50V	CAPACITOR	h<26mm
	C31	CER 0.1U/50V	CAPACITOR	
	C32	CER 0.1U/50V	CAPACITOR	
	C50	CER 0.1U/50V	CAPACITOR	
	C51	CER 0.1U/50V	CAPACITOR	
	C52	CER 0.1U/50V	CAPACITOR	
	D01	1N4148	GE DIODE	
	D02	1N4148	GE DIODE	
	D03	1N4148	GE DIODE	
	D04	1N4004	DIODE	
	D05	FR154	DIODE	
	D06	FR154	DIODE	
	D07	FR154	DIODE	
	D08	FR154	DIODE	
	D12	02C	DIODE	FAST RECOVERY
	D13	02N	DIODE	FAST RECOVERY
	D151	1N4148	GE DIODE	
	D17	1N5404	DIODE	400V/3A
	D251	1N4148	GE DIODE	
	F01	BXS-03A	FUSE HOLDER	GOLD PLATED
	FUSE01	ZH270-15A	AUTO FUSE	
	IC01	KIA494AP	I.C	
	IC101	JRC4558	I.C	
	IC102	JRC4558	I.C	
	IC103	JRC4558	I.C	
	IC203	JRC4558	I.C	
	L02	CL-310,1.8uH	INDUCTOR	8T
	LED01	SAM3270 φ 3	LED	
	P01	JSZ3-06C	POWER INPUT JACK	GOLD PLATED
	R01	CAR 4.7KΩ/4W	RESISTOR	
	R02	CAR 4.7KΩ/4W	RESISTOR	
	R03	CAR 10KΩ/4W	RESISTOR	
	R04	CAR 68KΩ/4W	RESISTOR	
	R05	CAR 10Ω/4W	RESISTOR	
	R06	CAR 10KΩ/4W	RESISTOR	
	R07	CAR 1KΩ/4W	RESISTOR	
	R08	CAR 22KΩ/4W	RESISTOR	
	R09	CAR 33KΩ/4W	RESISTOR	
	R10	CAR 15KΩ/4W	RESISTOR	

## Electrical parts list (MAIN PCB)

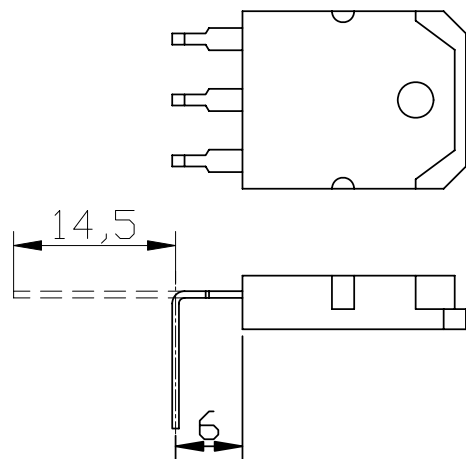
!	Item	Parts number	Parts name	Remarks
	R101	CAR 1KΩ/4W	RESISTOR	
	R103	CAR 1KΩ/4W	RESISTOR	
	R104	CAR 10KΩ/4W	RESISTOR	
	R105	CAR 56KΩ/4W	RESISTOR	
	R106	CAR 10KΩ/4W	RESISTOR	
	R107	CAR 1KΩ/4W	RESISTOR	
	R108	CAR 56KΩ/4W	RESISTOR	
	R109	CAR 68KΩ/4W	RESISTOR	
	R11	CAR 15KΩ/4W	RESISTOR	
	R110	CAR 56KΩ/4W	RESISTOR	
	R111	CAR 1KΩ/4W	RESISTOR	
	R112	CAR 10KΩ/4W	RESISTOR	
	R113	CAR 10KΩ/4W	RESISTOR	
	R114	CAR 22KΩ/4W	RESISTOR	
	R115	CAR 1KΩ/4W	RESISTOR	
	R12	CAR 1KΩ/4W	RESISTOR	
	R13	CAR 27KΩ/4W	RESISTOR	
	R14	CAR 15KΩ/4W	RESISTOR	
	R15	CAR 130KF1/4W±1%	RESISTOR	
	R150	CAR 5.6KΩ/4W	RESISTOR	
	R151	CAR 22KΩ/4W	RESISTOR	
	R152	CAR 1KΩ/4W	RESISTOR	
	R153	CAR 8.2KΩ/4W	RESISTOR	
	R154	CAR 8.2KΩ/4W	RESISTOR	
	R155	CAR 1KΩ/4W	RESISTOR	
	R156	CAR 1KΩ/4W	RESISTOR	
	R157	CAR 100Ω/4W	RESISTOR	
	R158	CAR 100Ω/4W	RESISTOR	
	R159	CAR 100Ω/4W	RESISTOR	
	R16	CAR 51KΩ/4W±1%	RESISTOR	
	R160	CAR 100Ω/4W	RESISTOR	
	R161	CAR 1KΩ/4W	RESISTOR	
	R162	CAR 15KΩ/4W	RESISTOR	
	R163	CAR 560Ω/4W	RESISTOR	
	R164	CAR 100Ω/4W	RESISTOR	
	R165	CAR 4.7KΩ/4W	RESISTOR	
	R166	CAR 1.8KΩ/4W	RESISTOR	
	R167	CAR 100Ω/4W	RESISTOR	
	R169	CAR 220Ω/4W	RESISTOR	
	R17	CAR 10Ω/2W	RESISTOR	
	R172	CAR 0.12Ω3W	RESISTOR	
	R173	CAR 0.12Ω3W	RESISTOR	
	R174	CAR 1.5KΩ/4W	RESISTOR	
	R175	CAR 30KΩ/4W	RESISTOR	
	R176	CAR 56KΩ/4W	RESISTOR	
	R177	CAR 680Ω2W	RESISTOR	
	R178	CAR 4.7Ω/2W	RESISTOR	
	R18	CAR 4.7KΩ/4W	RESISTOR	
	R19	CAR 4.7KΩ/4W	RESISTOR	
	R20	CAR 10KΩ/4W	RESISTOR	
	R201	CAR 1KΩ/4W	RESISTOR	
	R203	CAR 1KΩ/4W	RESISTOR	
	R204	CAR 10KΩ/4W	RESISTOR	
	R205	CAR 47KΩ/4W	RESISTOR	
	R206	CAR 10.2KΩ/4W±1%	RESISTOR	
	R207	CAR 1KΩ/4W	RESISTOR	

!	Item	Parts number	Parts name	Remarks
	R208	CAR 56KΩ/4W	RESISTOR	
	R209	CAR 68KΩ/4W	RESISTOR	
	R21	CAR 4.7KΩ/4W	RESISTOR	
	R210	CAR 56KΩ/4W	RESISTOR	
	R211	CAR 1KΩ/4W	RESISTOR	
	R212	CAR 10KΩ/4W	RESISTOR	
	R213	CAR 10KΩ/4W	RESISTOR	
	R214	CAR 22KΩ/4W	RESISTOR	
	R215	CAR 1KΩ/4W	RESISTOR	
	R22	CAR 1.2KΩ/4W	RESISTOR	
	R23	CAR 51KΩ/4W	RESISTOR	
	R24	CAR 1.2KΩ/4W	RESISTOR	
	R25	CAR 10KΩ/4W	RESISTOR	
	R250	CAR 5.6KΩ/4W	RESISTOR	
	R251	CAR 22KΩ/4W	RESISTOR	
	R252	CAR 1KΩ/4W	RESISTOR	
	R253	CAR 8.2KΩ/4W	RESISTOR	
	R254	CAR 8.2KΩ/4W	RESISTOR	
	R255	CAR 1KΩ/4W	RESISTOR	
	R256	CAR 1KΩ/4W	RESISTOR	
	R257	CAR 100Ω/4W	RESISTOR	
	R258	CAR 100Ω/4W	RESISTOR	
	R259	CAR 100Ω/4W	RESISTOR	
	R26	CAR 220Ω/4W	RESISTOR	
	R260	CAR 100Ω/4W	RESISTOR	
	R261	CAR 1KΩ/4W	RESISTOR	
	R262	CAR 15KΩ/4W	RESISTOR	
	R263	CAR 560Ω/4W	RESISTOR	
	R264	CAR 100Ω/4W	RESISTOR	
	R265	CAR 4.7KΩ/4W	RESISTOR	
	R266	CAR 1.8KΩ/4W	RESISTOR	
	R267	CAR 100Ω/4W	RESISTOR	
	R269	CAR 220Ω/4W	RESISTOR	
	R27	CAR 220Ω/4W	RESISTOR	
	R272	CAR 0.12Ω3W	RESISTOR	
	R273	CAR 0.12Ω3W	RESISTOR	
	R274	CAR 1.5KΩ/4W	RESISTOR	
	R275	CAR 30KΩ/4W	RESISTOR	
	R276	CAR 56KΩ/4W	RESISTOR	
	R277	CAR 680Ω2W	RESISTOR	
	R278	CAR 4.7Ω/2W	RESISTOR	
	R28	CAR 1KΩ/4W	RESISTOR	
	R29	CAR 1KΩ/4W	RESISTOR	
	R32	CAR 47Ω/4W	RESISTOR	
	R36	CAR 330Ω2W	RESISTOR	
	R37	CAR 330Ω2W	RESISTOR	
	R39	CAR 10KΩ/2W	RESISTOR	
	R40	CAR 10KΩ/2W	RESISTOR	
	R44	CAR 10KΩ/4W	RESISTOR	
	R47	CAR 47Ω/4W	RESISTOR	
	R48	CAR 56KΩ/4W	RESISTOR	
	RCA	AV4-8.4-13	RCA JACK	GOLD PLATED
	SPK01	JSZ4-02	SPEAKER OUT JACK	GOLD PLATED
	SW101	KD2304-02G9	CROSSOVER SWITCH	
	T01	9015C	TRANSISTOR	TO-92(E.B.C)
	T02	9015C	TRANSISTOR	TO-92(E.B.C)

## Electrical parts list (MAIN PCB)

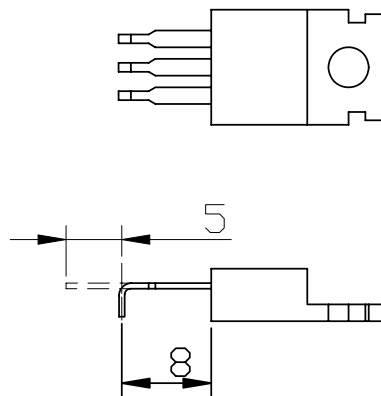
!	Item	Parts number	Parts name	Remarks
	T03	9014C	TRANSISTOR	TO-92(E.B.C)
	T04	2N5401	TRANSISTOR	TO-92(E.B.C)
	T05	9014C	TRANSISTOR	TO-92(E.B.C)
	T06	9014C	TRANSISTOR	TO-92(E.B.C)
	T07	2SA1013	TRANSISTOR	TO-92L(E.C.B)
	T08	9014C	TRANSISTOR	TO-92(E.B.C)
	T09	9015C	TRANSISTOR	TO-92(E.B.C)
	T10	9015C	TRANSISTOR	TO-92(E.B.C)
	T12	FQP50N06	MOSFET	TO-220
	T151	2N5551	TRANSISTOR	TO-92(E.B.C)
	T152	2N5551	TRANSISTOR	TO-92(E.B.C)
	T153	2N5401	TRANSISTOR	TO-92(E.B.C)
	T154	2N5401	TRANSISTOR	TO-92(E.B.C)
	T155	2N5401	TRANSISTOR	TO-92(E.B.C)
	T156	2N5551	TRANSISTOR	TO-92(E.B.C)
	T157	2N5551	TRANSISTOR	TO-92(E.B.C)
	T160	2SC2383	TRANSISTOR	TO-92L(E.C.B)
	T161	2SA1013	TRANSISTOR	TO-92L(E.C.B)
	T164	KTD718	TRANSISTOR	TO-3P(B.C.E)
	T165	KTB688	TRANSISTOR	TO-3P(B.C.E)
	T166	2N5551	TRANSISTOR	TO-92(E.B.C)
	T167	9014C	TRANSISTOR	TO-92(E.B.C)
	T19	FQP50N06	MOSFET	TO-220
	T22	9015C	TRANSISTOR	TO-92(E.B.C)
	T23	9014C	TRANSISTOR	TO-92(E.B.C)
	T251	2N5551	TRANSISTOR	TO-92(E.B.C)
	T252	2N5551	TRANSISTOR	TO-92(E.B.C)
	T253	2N5401	TRANSISTOR	TO-92(E.B.C)
	T254	2N5401	TRANSISTOR	TO-92(E.B.C)
	T255	2N5401	TRANSISTOR	TO-92(E.B.C)
	T256	2N5551	TRANSISTOR	TO-92(E.B.C)
	T257	2N5551	TRANSISTOR	TO-92(E.B.C)
	T260	2SC2383	TRANSISTOR	TO-92L(E.C.B)
	T261	2SA1013	TRANSISTOR	TO-92L(E.C.B)
	T264	KTD718	TRANSISTOR	TO-3P(B.C.E)
	T265	KTB688	TRANSISTOR	TO-3P(B.C.E)
	T266	2N5551	TRANSISTOR	TO-92(E.B.C)
	T267	9014C	TRANSISTOR	TO-92(E.B.C)
	TH01	50KTH	NTC RESISTOR	
	TR01	37PHI	TRANSFORMER	362315-20702
	VR101	F-16KG B20K L10REA(M)	RHEOSTAT	90°
	VR102	F-16KG B500K L10REA(M)	RHEOSTAT	90°
	VR103	F-16KG C100K L10REA(M)	RHEOSTAT	
	VR104	F-16KG C100K L10REA(M)	RHEOSTAT	
	Z1	1N4744	DIODE	15V/1W
	Z2	1N4744	DIODE	15V/1W

TO-3PN



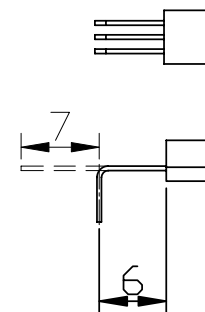
Remark: ensure 6mm.

TO-220



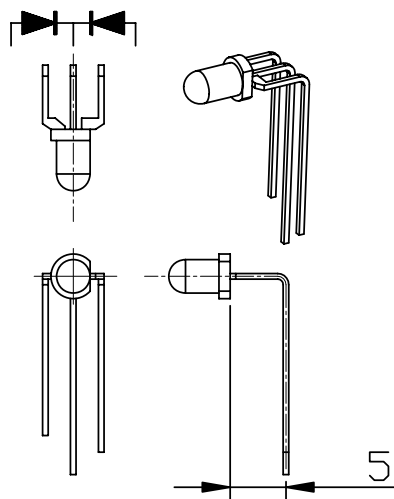
Remark: ensure 8mm.

TO-92

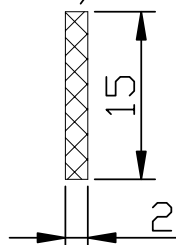


Remark: ensure 6mm.

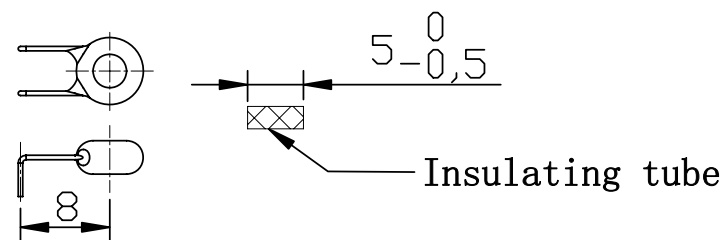
LED



Insulating tube



50KTH



name	Indication of part pins shaped	fig.	

# Car audio amplifier capability request

Client Name: AKAI

Serial Number : \_\_\_\_\_

Model Name: ACA-2202

Accomplished Q'ty: \_\_\_\_\_

PO. Number: \_\_\_\_\_

Accomplished Date: \_\_\_\_\_

NO	Item	Condition	Unit	Capability request	Sample1 : _____			
1	Gain-frequency response	Work normally	Front L/R	dB	+1/- 3 ( 5Hz~30kHz)	CH1: +1/-3	CH2: +1/-3	
			Rear L/R		+1/- 3 ( 5Hz~30kHz)	CH3:	CH4:	
2	Total harmonic distortion and noise	Work normally 10W,4Ω	Front L/R	%	≤0.7%	CH1: < 0.05	CH2: < 0.02	
			Rear L/R			CH3: <	CH4: <	
3	Normal Output power(4Ω)	Rated Distortion: 0.7%	Front L/R	W	Product specification	CH1: ≥ 50.56	CH2: ≥ 49.88	
			Rear L/R			CH3: ≥	CH4: ≥	
		Rated Distortion:10%	Front L/R			CH1: ≥ 73.35	CH2: ≥ 71.00	
			Rear L/R			CH3: ≥	CH4: ≥	
		Max. output power	Front L/R			CH1: ≥ 104.51	CH2: ≥ 101.25	
			Rear L/R			CH3: ≥	CH4: ≥	
	Normal Output power(2Ω)	Rated Distortion: 0.7%	Front L/R	W	Product specification	CH1: ≥ 37.46	CH2: ≥ 37.29	
			Rear L/R			CH3: ≥	CH4: ≥	
		Rated Distortion: 10%	Front L/R			CH1: ≥ 73.38	CH2: ≥ 70.80	
			Rear L/R			CH3: ≥	CH4: ≥	
		Max. output power	Front L/R			CH1: ≥ 116.35	CH2: ≥ 110.68	
			Rear L/R			CH3: ≥	CH4: ≥	
4	BTL Output power	Rated Distortion: 0.7%	Front	W	Product specification	CH1&CH2: ≥ 78.22 W/4Ω; W/2Ω		
			Rear			CH3&CH4: ≥ W/4Ω; W/2Ω		
		Rated Distortion: 10%	Front			CH1&CH2: ≥ 151.50 W/4Ω; W/2Ω		
			Rear			CH3&CH4: ≥ W/4Ω; W/2Ω		
		Max. output power	Front			CH1&CH2: ≥ 243.40 W/4Ω; W/2Ω		
			Rear			CH3&CH4: ≥ W/4Ω; W/2Ω		
5	Signal noise ratio (Input Terminal Short)	Rated 1kHz Distortion: 10%	Front L/R	dB	≥71 Full range	≥76 A-Weighting	CH1: ≥ 92.2/95.0	CH2: ≥ 94.5/98.3
			Rear L/R				CH3: ≥	CH4: ≥
	Signal noise ratio (Input Terminal Open)	Rated 1kHz Distortion: 10%	Front L/R	dB	≥71 Full range	≥76 A-Weighting	CH1: ≥ 89.6/96.0	CH2: ≥ 93.7/96.8
			Rear L/R			CH3: ≥	CH4: ≥	
	output noise	No signal input (Input Terminal Open)	Front L/R	mV	≤3	1.5/1.5		
			Rear L/R					
6	Separation	Work normally Distortion:0.7%	1 kHz	dB	≥ 40	CH1 & CH2: ≥ 42/43	CH3 & CH4: ≥	
			10 kHz		≥ 30	CH1 & CH2: ≥ 39/40	CH3 & CH4: ≥	
7	Be sensitive to input	Volume max Distortion:10%	High input	mV	Product specification	---		
			Low input			180		

# Car audio amplifier capability request

Client Name: AKAI

Serial Number : \_\_\_\_\_

Model Name: ACA-2202

Accomplished Q'ty: \_\_\_\_\_

PO. Number: \_\_\_\_\_

Accomplished Date: \_\_\_\_\_

NO	Item	Condition	Unit	Capability request	Sample1 : _____			
8	On-off power part testing	Work normally	Frequency	kHz	Product specification	35.8		
		No signal input	Power supply voltage			V	Amplifier: ±28.09	Preamp: +/- 15
		THD10% 2Ω					Amplifier: ±23.61	Preamp: +/- 15
		THD10% 4Ω					Amplifier: ±24.91	Preamp: +/- 15
9	Phase between channels	Work normally	---	In-phase	Output in-phase CH1&CH2 contra-phase / CH3&CH4 contra-phase			
10	Gain difference between channels	Volume output ( max~max decrease 46dB )	dB	≤ 3	≤ 1.5			
11	Stability	Rated	---	Not self-excitation and parasitism	OK			
12	Bass boost range	1/2f	23 Hz	dB	Product specification	CH1 & CH2: ≥ + 8	CH3 & CH4: ≥ +8	
		f	45 Hz			CH1 & CH2: ≥ + 12	CH3 & CH4: ≥ +12	
		2f	90 Hz			CH1 & CH2: ≥ + 8	CH3 & CH4: ≥ + 8	
13	Low-Pass crossover (Min.)	1/2f	15 Hz	dB	Product specification	CH1 & CH2: - 0.5	CH3 & CH4: -0.5	
		f	30 Hz			CH1 & CH2: - 3	CH3 & CH4: - 3	
		2f	60 Hz			CH1 & CH2: - 8	CH3 & CH4: - 8	
	Low-Pass crossover (Max.)	1/2f	100 Hz	dB	Product specification	CH1 & CH2: - 0.5	CH3 & CH4: -0.5	
		f	200 Hz			CH1 & CH2: - 3	CH3 & CH4: - 3	
		2f	400 Hz			CH1 & CH2: - 12	CH3 & CH4: -12	
14	High-Pass crossover (Min.)	1/2f	17 Hz	dB	Product specification	CH1 & CH2: - 16	CH3 & CH4: -16	
		f	35 Hz			CH1 & CH2: - 3	CH3 & CH4: - 3	
		2f	70 Hz			CH1 & CH2: + 1	CH3 & CH4: + 1	
	High-Pass crossover (Max.)	1/2f	2.25 KHz	dB	Product specification	CH1 & CH2: - 7	CH3 & CH4: - 7	
		f	4.5 KHz			CH1 & CH2: - 3	CH3 & CH4: - 3	
		2f	9 KHz			CH1 & CH2: - 1	CH3 & CH4: - 1	
15	Power supply	(Rated) Distortion: 10%	W	Product specification	/			
		Static			/			
16	Function testing	Power on delay		Product specification	3s			
		Remote Switch			OK			
		Short circuit Protection			OK			
		DC offset Protection			OK			
		no sound on/off			OK			
		caraudio on/off			OK			
		Amplifier on/off			OK			
		Temperature testing			1/3 Max. Power 4hours testing	OK		
17	terminal short-circuit testing	[Heat sink] with [power supply (+/-) terminal]、 [speaker (+/-) terminal]、 [VR crust] 、 [RCA terminal]		No noise or spark	OK			
		[power supply (+) terminal] with [speaker (+/-) terminal]、 [VR crust] 、 [RCA terminal]			OK			
		[power supply (-) terminal] with [speaker (+/-) terminal]、 [VR crust] 、 [RCA terminal]			OK			

Note:  
Power supply voltage: 14.0V

Operated by: Xiaoyulin

Approved by: Zhaozhigang

Date: 2006/02/28



**AKAI**

---